



**austriamicrosystems AG**

**is now**

**ams AG**

The technical content of this austriamicrosystems document is still valid.

**Contact information:**

**Headquarters:**

ams AG  
Tobelbaderstrasse 30  
8141 Unterpremstaetten, Austria  
Tel: +43 (0) 3136 500 0  
e-Mail: [ams\\_sales@ams.com](mailto:ams_sales@ams.com)

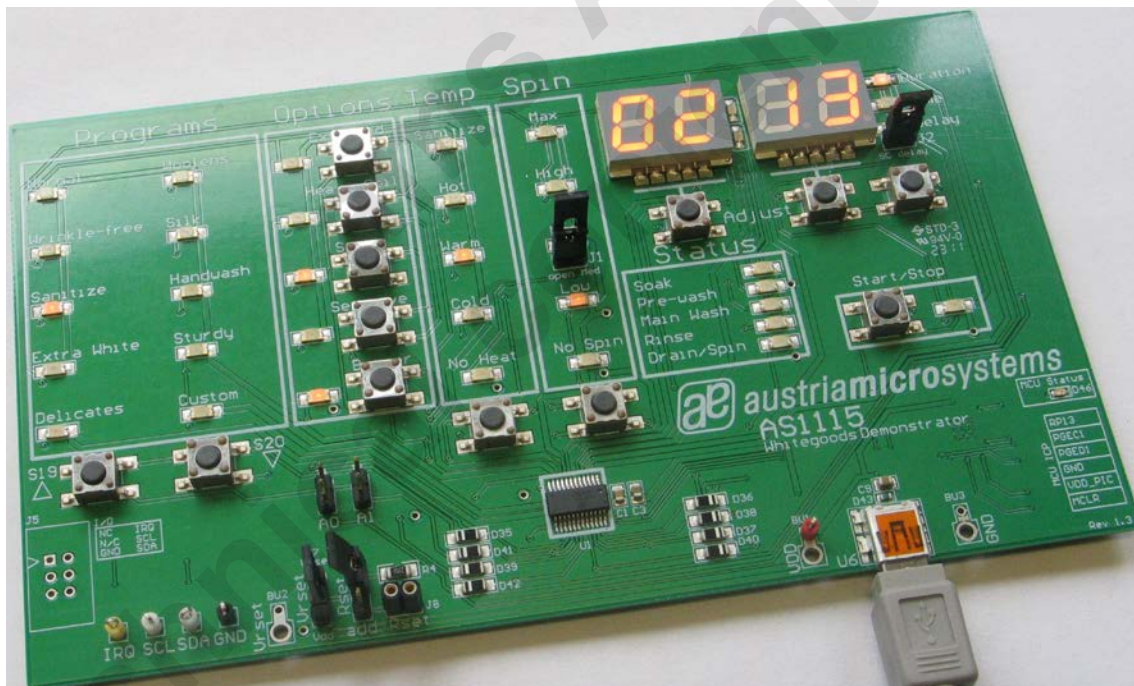
Please visit our website at [www.ams.com](http://www.ams.com)

## White Goods Demo Board Manual

# AS1115

## 64 LEDs, I<sup>2</sup>C Interfaced LED Driver with Keyscan

[www.austriamicrosystems.com/AS1115](http://www.austriamicrosystems.com/AS1115)



## General Description

### Board Description

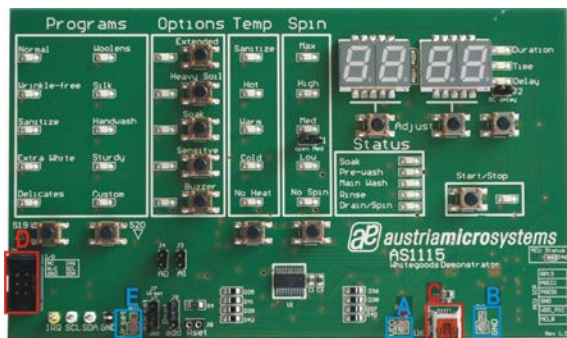


Figure 1: Board Description – Connectors

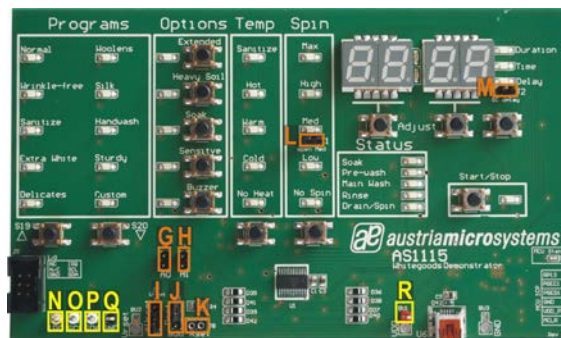


Figure 2: Board Description – Jumper and Measurement Points

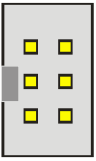
### Connector Description

Label	Name	Description	Info
A	<b>VDD</b>	Power Supply Connectors for VDD and Ground.	+2.7V to +5.5V
B	<b>GND</b>		
C	<b>USB</b>	Mini USB 5-pin Connector	Supplies the AS1115 with 5V. Connect to a standard USB port. This Connector is <u>also</u> used for data transfer.
D *	<b>I / O</b>	Interface Connector	For a detailed Connector Description see table below.
E	<b>VRSET</b>	Reference Voltage Connector	The brightness of the display segments could be controlled via this connector.





\* optional, n.c.






**Note:** Use only the Connectors VDD “A” and GND “B” or USB Connector “C”. Never use both supply possibilities at the same time!

### I/O - Interface Connector “D” Description (optional, n.c.)

	Label	Name	AS1115
	A1	<b>VDD+</b>	Pin 19
	A2	<b>N/C</b>	
	A3	<b>GND</b>	Pin 6
	B1	<b>IRQ</b>	Pin 24
	B2	<b>SCL</b>	Pin 14
	B3	<b>SDA</b>	Pin 1

### Jumper Description

Label	Name	Description	Info	
G	<b>A0</b>	Self Addressing Bit 0		Address Bit 0: logic “0”
				Address Bit 0: logic “1”
H	<b>A1</b>	Self Addressing Bit 1		Address Bit 1: logic “0”
				Address Bit 1: logic “1”

I	<b>VRSET</b>	Reference Voltage Jumper		IN: Rset connected to Reference Voltage Connector “E” VDD: Rset connected to VDD
J	<b>RSET</b>	Resistor Selection Jumper		SMD: Rset used is R4 (20kΩ) add RSET: Rset used is “K” (User Resistor)
K	<b>RSET</b>	User Resistor		Connector for User Resistor
L	<b>OPEN</b>	Open Circuit		Remove Jumper to simulate an open circuit.
M	<b>SC</b>	Short Circuit		Set Jumper to simulate a short circuit.

### Measurement Points Description

Label	Name	Description	Info
N	<b>IRQ</b>	Interrupt Request	Measurement Points
O	<b>SCL</b>	Serial Clock Input	
P	<b>SDA</b>	Serial Data I/O	
Q	<b>GND</b>	Ground	
R	<b>VDD</b>	Power Supply	

### Software

To run the AS1115 a controller is required. A microcontroller is mounted on the bottom side of the PCB to run the white good demoboard. The AS1115 WGB is controlled via the software in combination with the microcontroller. The board is only working in connection with software (GUI). The condition of the LED's (ON or OFF) or the different buttons can be triggered via the software or directly on the board.

Alternatively an external controller can be connected to the demoboard via the I/O Connector “D”.

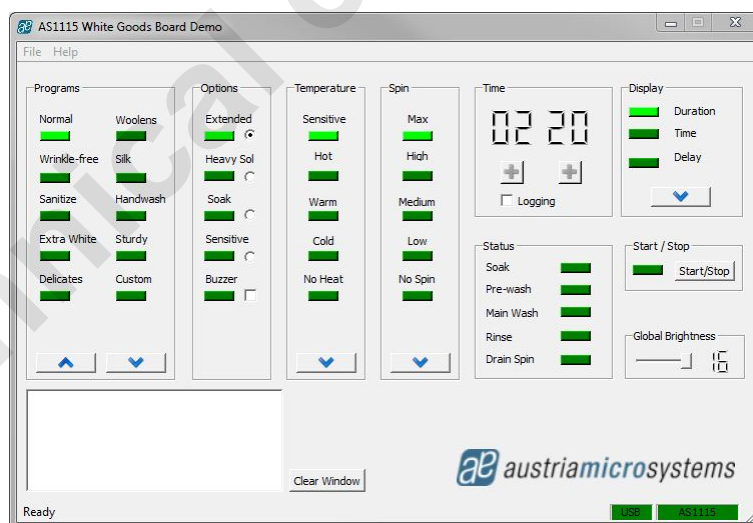


Figure 3: Software Panel

### Note:

As a first step make sure that the hardware connection between the PC and the Demoboard via a USB cable is set. The USB cable is for Power supply and for the data connection. After that, start the Software on you PC.

To check if the connection between the Software and the Demoboard is set, the USB and AS1115 sign (lower right side in *Figure 4*) have to turn to green.

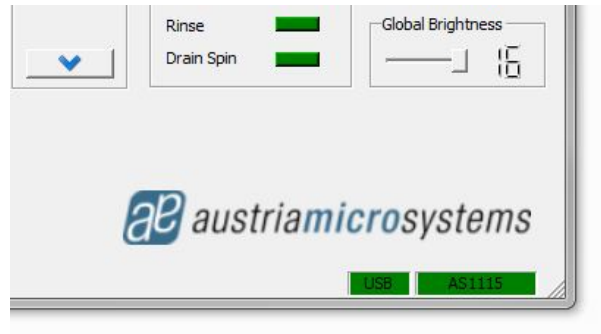


Figure 4: Software Panel detail

## Operational sequence

1. If not present get the datasheet for the AS1115 from [www.austriamicrosystems.com](http://www.austriamicrosystems.com). Use the IC on the demoboard only with the recommended settings and values as described in the datasheet.
2. First install the AS1115 WGB Software and then connect the demo board with the PC via the USB connector "C". To power down the system simply disconnect the USB cable.
3. For the data format of the I<sup>2</sup>C interface please see the datasheet of the AS1115.

Have fun using the demoboard. If there are questions do not hesitate to contact us. See contact information at the end of the application note.

## Board schematics of the demoboard

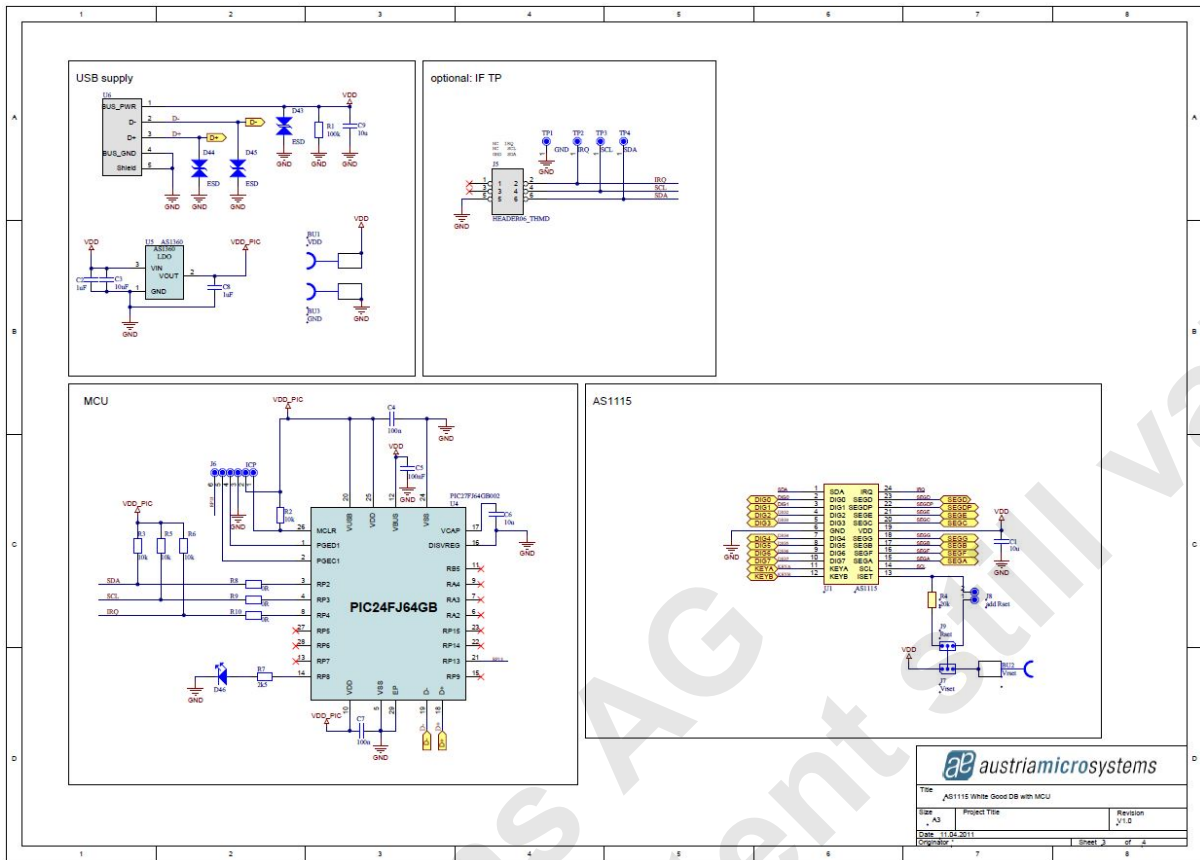


Figure 5: Main Schematic

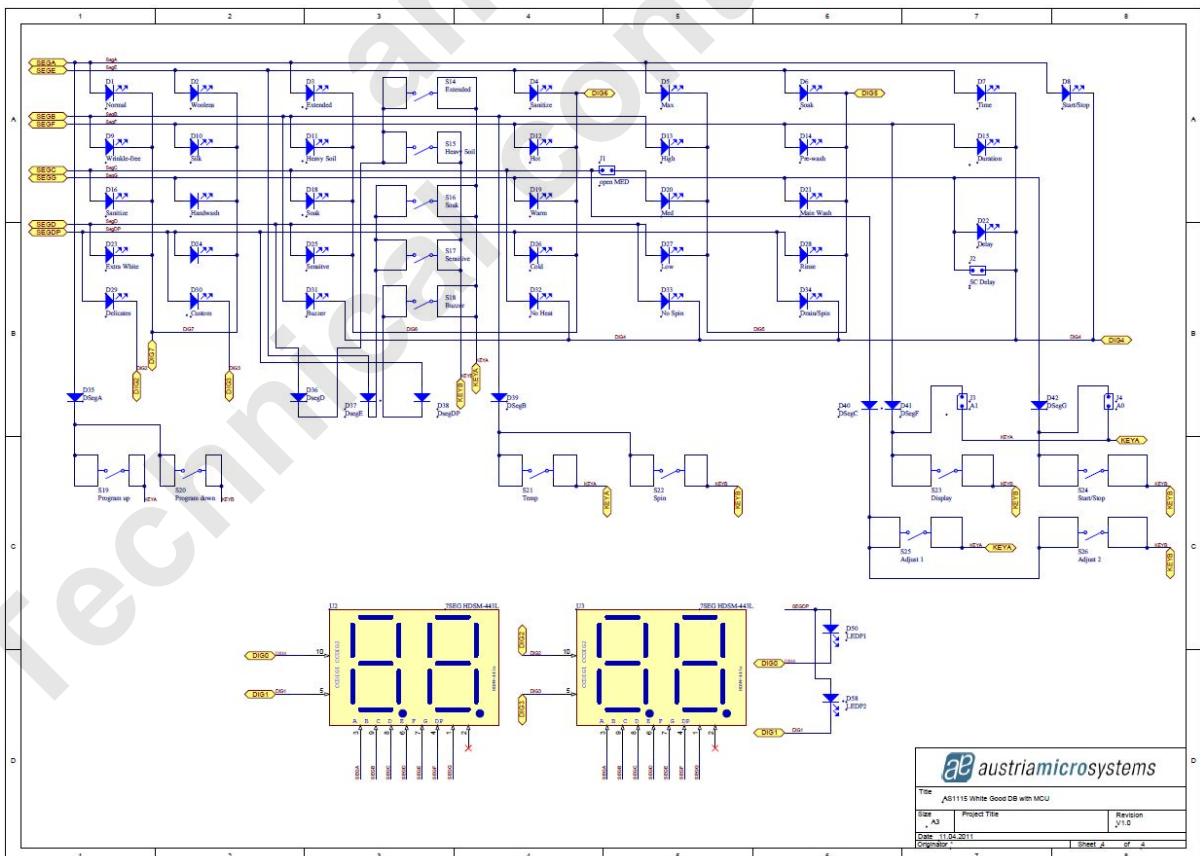


Figure 6: LED Configuration

## Layout of the demoboard

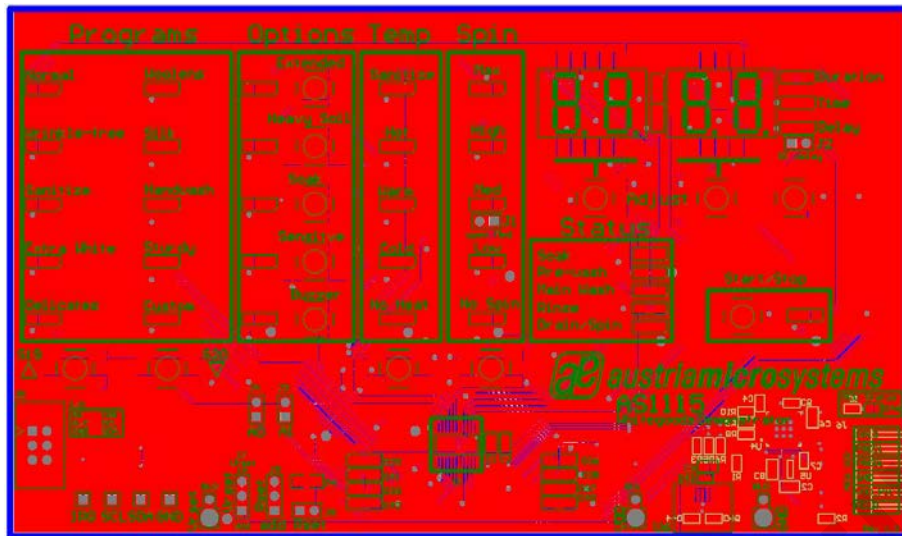


Figure 7: Top view

## Copyright

Copyright © 1997-2011, austriamicrosystems AG, Schloss Premstaetten, 8141 Unterpremstaetten, Austria-Europe. Trademarks Registered ®. All rights reserved. The material herein may not be reproduced, adapted, merged, translated, stored, or used without the prior written consent of the copyright owner.

All products and companies mentioned are trademarks or registered trademarks of their respective companies.

## Disclaimer

Devices sold by austriamicrosystems AG are covered by the warranty and patent indemnification provisions appearing in its Term of Sale. austriamicrosystems AG makes no warranty, express, statutory, implied, or by description regarding the information set forth herein or regarding the freedom of the described devices from patent infringement. Austriamicrosystems AG reserves the right to change specifications and prices at any time and without notice. Therefore, prior to designing this product into a system, it is necessary to check with austriamicrosystems AG for current information.

This product is intended for use in normal commercial applications. Applications requiring extended temperature range, unusual environmental requirements, or high reliability applications, such as military, medical life-support or lifesustaining equipment are specifically not recommended without additional processing by austriamicrosystems AG for each application. For shipments of less than 100 parts the manufacturing flow might show deviations from the standard production flow, such as test flow or test location.

The information furnished here by austriamicrosystems AG is believed to be correct and accurate. However, austriamicrosystems AG shall not be liable to recipient or any third party for any damages, including but not limited to personal injury, property damage, loss of profits, loss of use, interruption of business or indirect, special, incidental or consequential damages, of any kind, in connection with or arising out of the furnishing, performance or use of the technical data herein. No obligation or liability to recipient or any third party shall arise or flow out of austriamicrosystems AG rendering of technical or other services.



## Contact Information

### Headquarters

austriamicrosystems AG  
Tobelbaderstraße 30  
A-8141 Unterpremstätten - Graz, Austria  
T. +43 (0) 3136 500 0  
F. +43 (0) 3136 5692

For Sales Offices, Distributors and Representatives, please visit:  
<http://www.austriamicrosystems.com/contact>





Компания «ЭлектроПласт» предлагает заключение долгосрочных отношений при поставках импортных электронных компонентов на взаимовыгодных условиях!

Наши преимущества:

- Оперативные поставки широкого спектра электронных компонентов отечественного и импортного производства напрямую от производителей и с крупнейших мировых складов;
- Поставка более 17-ти миллионов наименований электронных компонентов;
- Поставка сложных, дефицитных, либо снятых с производства позиций;
- Оперативные сроки поставки под заказ (от 5 рабочих дней);
- Экспресс доставка в любую точку России;
- Техническая поддержка проекта, помощь в подборе аналогов, поставка прототипов;
- Система менеджмента качества сертифицирована по Международному стандарту ISO 9001;
- Лицензия ФСБ на осуществление работ с использованием сведений, составляющих государственную тайну;
- Поставка специализированных компонентов (Xilinx, Altera, Analog Devices, Intersil, Interpoint, Microsemi, Aeroflex, Peregrine, Syfer, Eurofarad, Texas Instrument, Miteq, Cobham, E2V, MA-COM, Hittite, Mini-Circuits, General Dynamics и др.);

Помимо этого, одним из направлений компании «ЭлектроПласт» является направление «Источники питания». Мы предлагаем Вам помощь Конструкторского отдела:

- Подбор оптимального решения, техническое обоснование при выборе компонента;
- Подбор аналогов;
- Консультации по применению компонента;
- Поставка образцов и прототипов;
- Техническая поддержка проекта;
- Защита от снятия компонента с производства.



#### Как с нами связаться

**Телефон:** 8 (812) 309 58 32 (многоканальный)

**Факс:** 8 (812) 320-02-42

**Электронная почта:** [org@eplast1.ru](mailto:org@eplast1.ru)

**Адрес:** 198099, г. Санкт-Петербург, ул. Калинина, дом 2, корпус 4, литера А.