



## Features

- Balanced Mini-TRIGARD™ Series (5 mm diameter, 7.3 mm length)
- Ideal for board level protection of broadband circuits
- Leadless, surface mount for economical assembly
- Stable breakdown throughout life
- High surge current rating, low insertion loss
-  UL Recognized
- RoHS compliant\* version available

## 2036-xx-SM Precision Gas Discharge Tube Surge Protector

Bourns now offers a surface mount (SM) 3-electrode Gas Discharge Tube (GDT) surge protection device. The industry-leading quality and features of the Bourns® miniature 2036 TRIGARD™ series GDT continues in this new SM version for “pick and place” manufacturing techniques. The 2036 SM device is ideal for board level protection of high bandwidth applications such as xDSL, cable broadband and high speed Ethernet, due to its high energy handling capability, long and stable life performance and low capacitance of less than 2 pF. Bourns subminiature family of GDTs measure only 5 mm in diameter and are the smallest high performance GDTs in the telecom industry. Bourns® GDTs are designed to prevent damage from transient disturbances by acting as a “crowbar” in creating a short-to-ground circuit during conduction. When a voltage transient surge exceeds the defined breakdown voltage level of the GDT, the device becomes ionized and conduction takes place within a fraction of a microsecond. When the surge passes and system voltage returns to normal levels, the GDT returns to its high-impedance (off) state.

### Characteristics

Test Methods per ITU-T (CCITT) K.12, IEEE C62.31

| Characteristic               | Model No. |         |         |         |         |         |
|------------------------------|-----------|---------|---------|---------|---------|---------|
|                              | 2036-07   | 2036-09 | 2036-15 | 2036-20 | 2036-23 | 2036-25 |
| DC Sparkover ±20 % @ 100 V/s | 75 V      | 90 V    | 150 V   | 200 V   | 230 V   | 250 V   |
| Impulse Sparkover            |           |         |         |         |         |         |
| 100 V/μs                     | 250 V     | 250 V   | 350 V   | 425 V   | 450 V   | 475 V   |
| 1000 V/μs                    | 525 V     | 550 V   | 500 V   | 575 V   | 600 V   | 625 V   |

| Characteristic               | Model No. |         |         |         |         |         |
|------------------------------|-----------|---------|---------|---------|---------|---------|
|                              | 2036-30   | 2036-35 | 2036-40 | 2036-42 | 2036-47 | 2036-60 |
| DC Sparkover ±20 % @ 100 V/s | 300 V     | 350 V   | 400 V   | 420 V   | 470 V   | 600 V   |
| Impulse Sparkover            |           |         |         |         |         |         |
| 100 V/μs                     | 500 V     | 600 V   | 650 V   | 675 V   | 750 V   | 850 V   |
| 1000 V/μs                    | 650 V     | 750 V   | 825 V   | 850 V   | 950 V   | 1100 V  |

|  |  |                      |
|--|--|----------------------|
| Impulse Transverse Delay.....          | 100 V/μs.....                                  | < 75 ns              |
| Insulation Resistance (IR) .....       | 100 V (50 V for Model 2036-07 & 2036-09) ..... | > 10 <sup>10</sup> Ω |
| Glow Voltage .....                     | 10 mA.....                                     | ~ 70 V               |
| Arc Voltage .....                      | 1 A.....                                       | ~ 10 V               |
| Glow-Arc Transition Current .....      |  | < 0.5 A              |
| Capacitance .....                      | 1 MHz .....                                    | < 2 pF               |
| DC Holdover Voltage <sup>1</sup> ..... | >135 V, (52 V for Model 2036-07, & -09, .....  | < 150 ms             |
|  | 80 V for Model 2036-15)                        |                      |
| Impulse Discharge Current.....         | 20000 A, 8/20 μs <sup>2</sup> .....            | 1 operation minimum  |
|  | 10000 A, 8/20 μs.....                          | > 10 operations      |
|  | 200 A, 10/1000 μs .....                        | > 300 operations     |
|  | 2000 A, 10/350 μs.....                         | 1 operation          |
|  | 200 A, 10/700 μs .....                         | > 500 operations     |
| Alternating Discharge Current .....    | 20 Arms, 1 s <sup>2</sup> .....                | 1 operation minimum  |
|  | 10 Arms, 1 s.....                              | > 10 operations      |
| Operating Temperature.....             |  | -55 to +85 °C        |
| Climatic Category (IEC 60068-1).....   |  | 40/90/21             |

### Notes:

- **UL Recognized component, UL File E153537.**
- No model number marking on tube; date code and voltage only: month year digits, xxxV (e.g. 0209 400V).
- The rated discharge current for Mini-TRIGARD™ GDTs is the total current equally divided between each line to ground.
- Surface Mount (SM) parts may show a temporary increase in DCBD after the solder reflow process. Most devices will recover within 24 hours time. It should be noted that there is no quality defect nor change in protection levels during the temporary change in DCBD.
- Sparkover limits after life ±25 % (-25 %, +30 % for Model 2036-07, 2036-09 and 2036-60), IR >10<sup>8</sup> Ω.
- Operating characteristics per RUS PE-80 and Telcordia GR 1361 available on request.
- Line to Line voltage is approximately 1.8 to 2 times the stated Line to Ground breakdown voltage.
- At delivery AQL 0.65 Level II, DIN ISO 2859.

<sup>1</sup> Network applied.

<sup>2</sup> DC Sparkover may exceed ±25 % but will continue to protect without venting.

\*RoHS Directive 2002/95/EC Jan 27, 2003 including Annex.

Specifications are subject to change without notice.

Customers should verify actual device performance in their specific applications.

# 2036-xx-SM Precision Gas Discharge Tube Surge Protector



## Product Dimensions



DIMENSIONS: MILLIMETERS  
 DIMENSION TOLERANCE: .X ± 0.25

## Recommended Pad Layout



## How to Order

2036 - xx - SM - RP LF

- Model Number Designator \_\_\_\_\_
- Voltage (Divided by 10) \_\_\_\_\_
- Surface Mount \_\_\_\_\_
- Packaging Options\* \_\_\_\_\_
  - Blank = Bulk Packaging (Standard)
  - RP = Reelpack - 1000 pcs./reel (Optional)
  - RP2 = Reelpack - 1000 pcs./reel (Optional)
- RoHS Compliant Option \_\_\_\_\_
  - Blank = Standard Product
  - LF = RoHS Compliant Product

\* The optional -RP & -RP2 reelpacks contain 1000 pcs./reel.  
 The reels are 330 mm in diameter. The -RP reelpack is 18 mm wide.  
 The -RP2 reelpack is 26 mm wide.

# 2036-xx-SM Precision Gas Discharge Tube Surge Protector

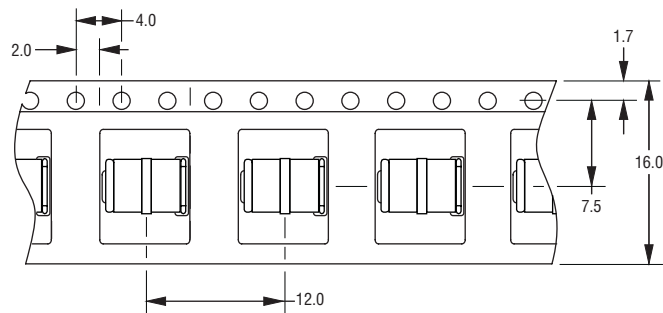
**BOURNS®**

## Packaging Specifications

The Model 2036-xx-SM ships standard bulk pack, 100 pieces per bag.

The optional -RP & -RP2 reelpacks contain 1,000 pcs./reel. The reels are 330 mm in diameter. The -RP reelpack is 18 mm wide. The -RP2 reelpack is 26 mm wide.

-RP



-RP2



**DIMENSIONS: MILLIMETERS**  
**DIMENSION TOLERANCE: .X ±0.25**

REV. N 04/11

Mini-TRIGARD™ is a trademark of Bourns, Inc.

Specifications are subject to change without notice.

Customers should verify actual device performance in their specific applications.



Компания «ЭлектроПласт» предлагает заключение долгосрочных отношений при поставках импортных электронных компонентов на взаимовыгодных условиях!

Наши преимущества:

- Оперативные поставки широкого спектра электронных компонентов отечественного и импортного производства напрямую от производителей и с крупнейших мировых складов;
- Поставка более 17-ти миллионов наименований электронных компонентов;
- Поставка сложных, дефицитных, либо снятых с производства позиций;
- Оперативные сроки поставки под заказ (от 5 рабочих дней);
- Экспресс доставка в любую точку России;
- Техническая поддержка проекта, помощь в подборе аналогов, поставка прототипов;
- Система менеджмента качества сертифицирована по Международному стандарту ISO 9001;
- Лицензия ФСБ на осуществление работ с использованием сведений, составляющих государственную тайну;
- Поставка специализированных компонентов (Xilinx, Altera, Analog Devices, Intersil, Interpoint, Microsemi, Aeroflex, Peregrine, Syfer, Eurofarad, Texas Instrument, Miteq, Cobham, E2V, MA-COM, Hittite, Mini-Circuits, General Dynamics и др.);

Помимо этого, одним из направлений компании «ЭлектроПласт» является направление «Источники питания». Мы предлагаем Вам помощь Конструкторского отдела:

- Подбор оптимального решения, техническое обоснование при выборе компонента;
- Подбор аналогов;
- Консультации по применению компонента;
- Поставка образцов и прототипов;
- Техническая поддержка проекта;
- Защита от снятия компонента с производства.



#### Как с нами связаться

**Телефон:** 8 (812) 309 58 32 (многоканальный)

**Факс:** 8 (812) 320-02-42

**Электронная почта:** [org@eplast1.ru](mailto:org@eplast1.ru)

**Адрес:** 198099, г. Санкт-Петербург, ул. Калинина, дом 2, корпус 4, литера А.