



FCIconnect.com

Copyright FCI.

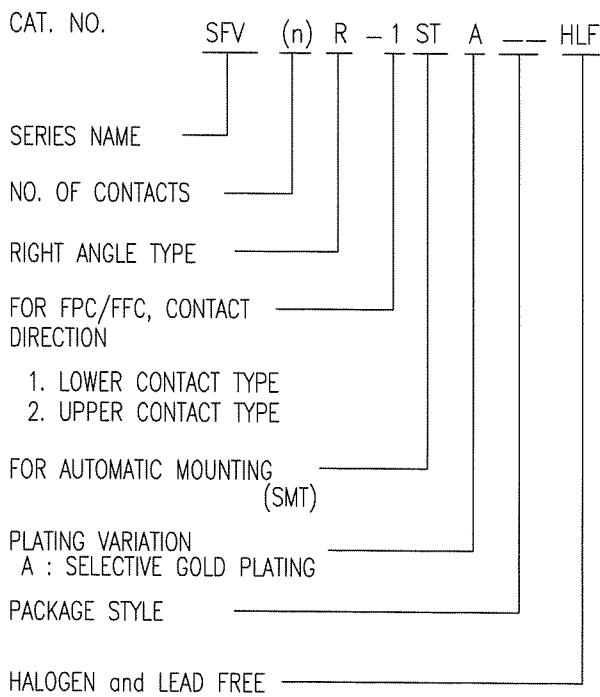
List of "SFV\_\_R-1/2STAE1HLF" customer document

DOCUMENT NO.	LIST
SC-SFV08	SPEC.
10117077 Sheet2	CAT.NO.TABLE FOR 0.5mm CONTACT SPACING CONNECTOR (SFV__R-1/2STA_HLF)
10117077 Sheet3	CONNECTOR USED FOR FPC/FPC WITH 0.5mm CONTACT SPACING (SFV__R-1STA_HLF)
10117077 Sheet4	CONNECTOR USED FOR FPC/FPC WITH 0.5mm CONTACT SPACING (SFV__R-2STA_HLF)
10117077 Sheet5	CAT.NO.TABLE FOR PLASTIC TAPE PACKAGED 0.5mm CONTACT SPACING CONNECTOR (SFV__R-1/2STAE1HLF)
10117077 Sheet6	PLASTIC TAPE PACKAGED 0.5mm CONTACT SPACING CONNECTOR (SFV__R-1STAE1HLF)
10117077 Sheet7	PLASTIC TAPE PACKAGED 0.5mm CONTACT SPACING CONNECTOR (SFV__R-2STAE1HLF)
10117077 Sheet8	RECOMMENDED CABLE (FPC) (SFV__R-1/2STA_HLF)
10117077 Sheet9	RECOMMENDED CABLE (FPC) (SFV__R-1/2STA_HLF)
BJM-SFV101	HANDLING PROCEDURES

mat'l. code				surface ISO 1302 <input checked="" type="checkbox"/> ISO 406 ISO 1101		tolerance ISO 406 ISO 1101		projection 		product family 58EF		CODE JP	
ltr		ecn no		dr		date		tolerances unless otherwise specified		title		sheet 1 of 9	
A		J11-0017		S.W		2011-1-20		linear		0.5mm SPACING FPC CONNECTOR DOCUMENT LIST		size	
								mm		(Cat. No. : SFV__R-1/2STAE1HLF)		A4	
								scale $\times$		dwg no		sheet 1 of 9	
				dr		2011-1-20				10117077		A4	
				enr		2011-1-20				type		Product Customer Drawing	
				chr		2011-1-20							
				appd		Jan 24/11							
sheet index		revision sheet		A		A		A		A		Rev.	
1		2		3		4		5		6		A	

CAT. NO. & DIMENSIONS

NO. OF CONTACTS (n)	CAT. NO.	DIMENSIONS (NOTE2)			
		A ± 0.2	B ± 0.2	C ± 0.1	D ± 0.1
4	SFV4R-1/2STA__HLF	7.5	5.9	1.5	2.7
5	SFV5R-1/2STA__HLF	8.0	6.4	2.0	3.2
6	SFV6R-1/2STA__HLF	8.5	6.9	2.5	3.7
7	SFV7R-1/2STA__HLF	9.0	7.4	3.0	4.2
8	SFV8R-1/2STA__HLF	9.5	7.9	3.5	4.7
9	SFV9R-1/2STA__HLF	10.0	8.4	4.0	5.2
10	SFV10R-1/2STA__HLF	10.5	8.9	4.5	5.7
11	SFV11R-1/2STA__HLF	11.0	9.4	5.0	6.2
12	SFV12R-1/2STA__HLF	11.5	9.9	5.5	6.7
13	SFV13R-1/2STA__HLF	12.0	10.4	6.0	7.2
14	SFV14R-1/2STA__HLF	12.5	10.9	6.5	7.7
15	SFV15R-1/2STA__HLF	13.0	11.4	7.0	8.2
16	SFV16R-1/2STA__HLF	13.5	11.9	7.5	8.7
17	SFV17R-1/2STA__HLF	14.0	12.4	8.0	9.2
18	SFV18R-1/2STA__HLF	14.5	12.9	8.5	9.7
19	SFV19R-1/2STA__HLF	15.0	13.4	9.0	10.2
20	SFV20R-1/2STA__HLF	15.5	13.9	9.5	10.7
21	SFV21R-1/2STA__HLF	16.0	14.4	10.0	11.2
22	SFV22R-1/2STA__HLF	16.5	14.9	10.5	11.7
23	SFV23R-1/2STA__HLF	17.0	15.4	11.0	12.2
24	SFV24R-1/2STA__HLF	17.5	15.9	11.5	12.7
25	SFV25R-1/2STA__HLF	18.0	16.4	12.0	13.2
26	SFV26R-1/2STA__HLF	18.5	16.9	12.5	13.7
27	SFV27R-1/2STA__HLF	19.0	17.4	13.0	14.2
28	SFV28R-1/2STA__HLF	19.5	17.9	13.5	14.7
29	SFV29R-1/2STA__HLF	20.0	18.4	14.0	15.2
30	SFV30R-1/2STA__HLF	20.5	18.9	14.5	15.7
31	SFV31R-1/2STA__HLF	21.0	19.4	15.0	16.2
32	SFV32R-1/2STA__HLF	21.5	19.9	15.5	16.7
33	SFV33R-1/2STA__HLF	22.0	20.4	16.0	17.2
34	SFV34R-1/2STA__HLF	22.5	20.9	16.5	17.7
35	SFV35R-1/2STA__HLF	23.0	21.4	17.0	18.2



NOTES

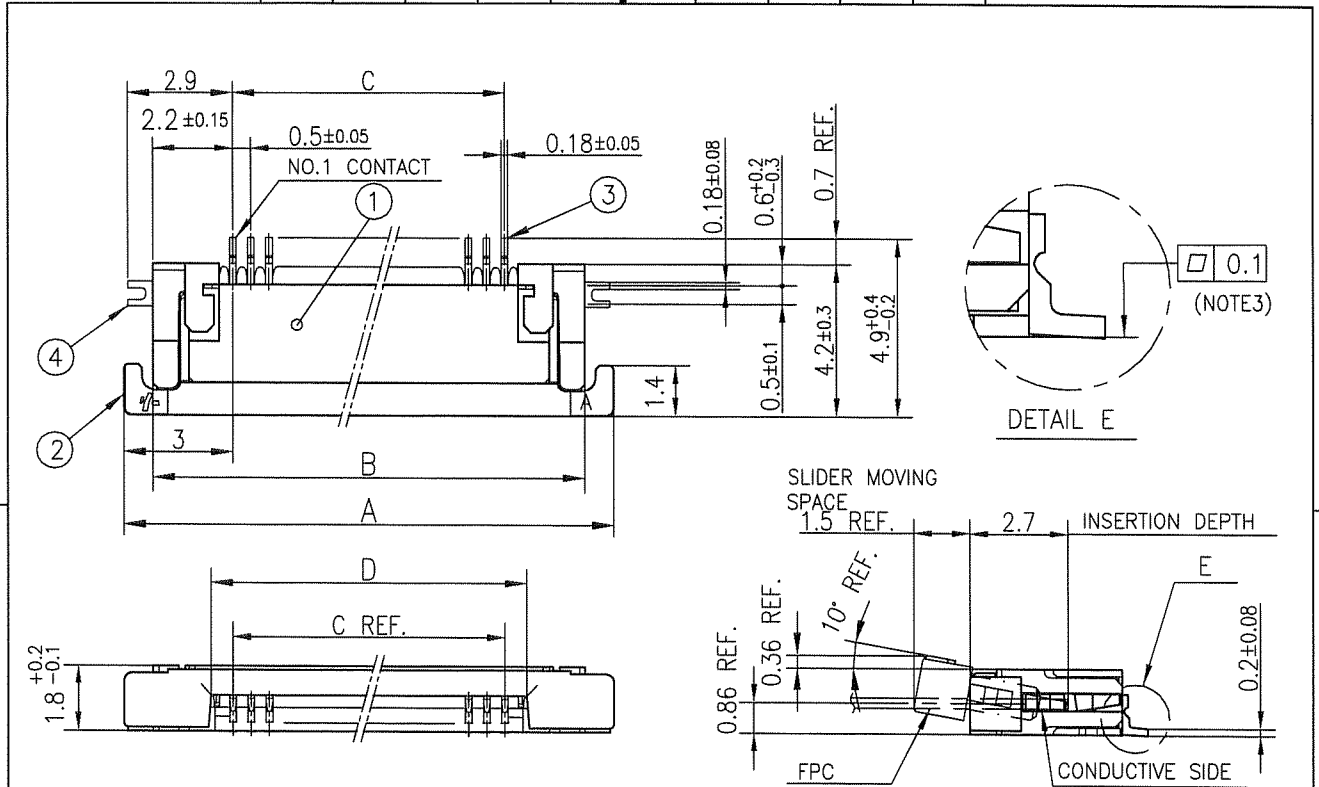
1. THIS PRODUCT IS THE CONNECTOR USED FOR FPC AND COPES WITH AUTOMATIC MOUNTING (SMT).
2. SEE PART DRAWINGS FOR DIMENSIONS A~D.



FCIconnect.com

Copyright FCI.

mat'l. code		surface ISO 1302 <input checked="" type="checkbox"/> ISO 406 <input checked="" type="checkbox"/> ISO 1101		tolerance		projection		product family 58EF		CODE JP	
ltr		ecn no		dr		date		tolerances unless otherwise specified		title	
A								mm		CAT. NO. TABLE FOR 0.5 mm CONTACT SPACING CONNECTOR (Cat. No. : SFV__R-1/2STA__HLF)	
				angles		linear		scale X		dwg no	
				dr		2011-1-20		sheet 2 of 9		size	
				enrg		2011-1-20		10117077		A4	
				chr		2011-1-20		type		Product Customer Drawing	
				appd		Jan 14 11				Rev. A	
sheet index		revision sheet									

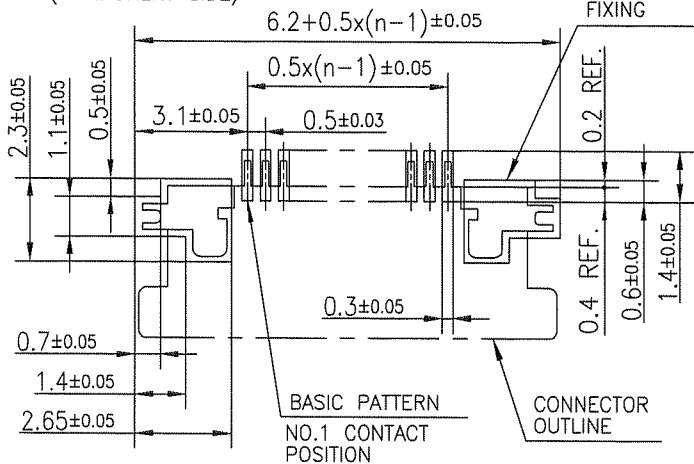


PT. NO.	PARTS NAME	MATERIAL	Q'TY	NOTE
1	HOUSING	13~35pin : LCP RESIN GLASS REINFORCED (UL94V-0)	1	COLOR : BLACK (HALOGEN FREE)
		4~12pin : POLYAMIDE RESIN GLASS REINFORCED (UL94V-0)		
2	SLIDER	PPS RESIN GLASS REINFORCED (UL94V-0)	1	COLOR : BLACK (HALOGEN FREE)
3	CONTACT	PHOSPHOR BRONZE	n	PLATING : CONTACT AREA GOLD TERMINAL AREA MATTE TIN
4	MOUNTING PLATE		2	PLATING : MATTE TIN

RECOMMENDED PC BOARD LAYOUT  
(COMPONENT SIDE)

PATTERN FOR MOUNTING PLATE  
FIXING

n : NO. OF CONTACTS



NOTES

1. THIS PRODUCT IS THE CONNECTOR USED FOR FPC AND COPES WITH AUTOMATIC MOUNTING (SMT).
2. THIS PRODUCT IS LOWER CONTACT TYPE CONNECTOR.
3. FLATNESS OF CONTACT TERMINAL AND MOUNTING PLATE MUST BE WITHIN TOLERANCE IN E PORTION DETAILED DRAWING.
4. THIS PRODUCT MEETS EUROPEAN UNION DIRECTIVES AND OTHER COUNTRY REGULATIONS AS DESCRIBED IN GS-22-008.
5. THE HOUSING WILL WITHSTAND EXPOSURE TO 260°C PEAK TEMPERATURE FOR 10 SECONDS IN A REFLOW SOLDERING OVEN.

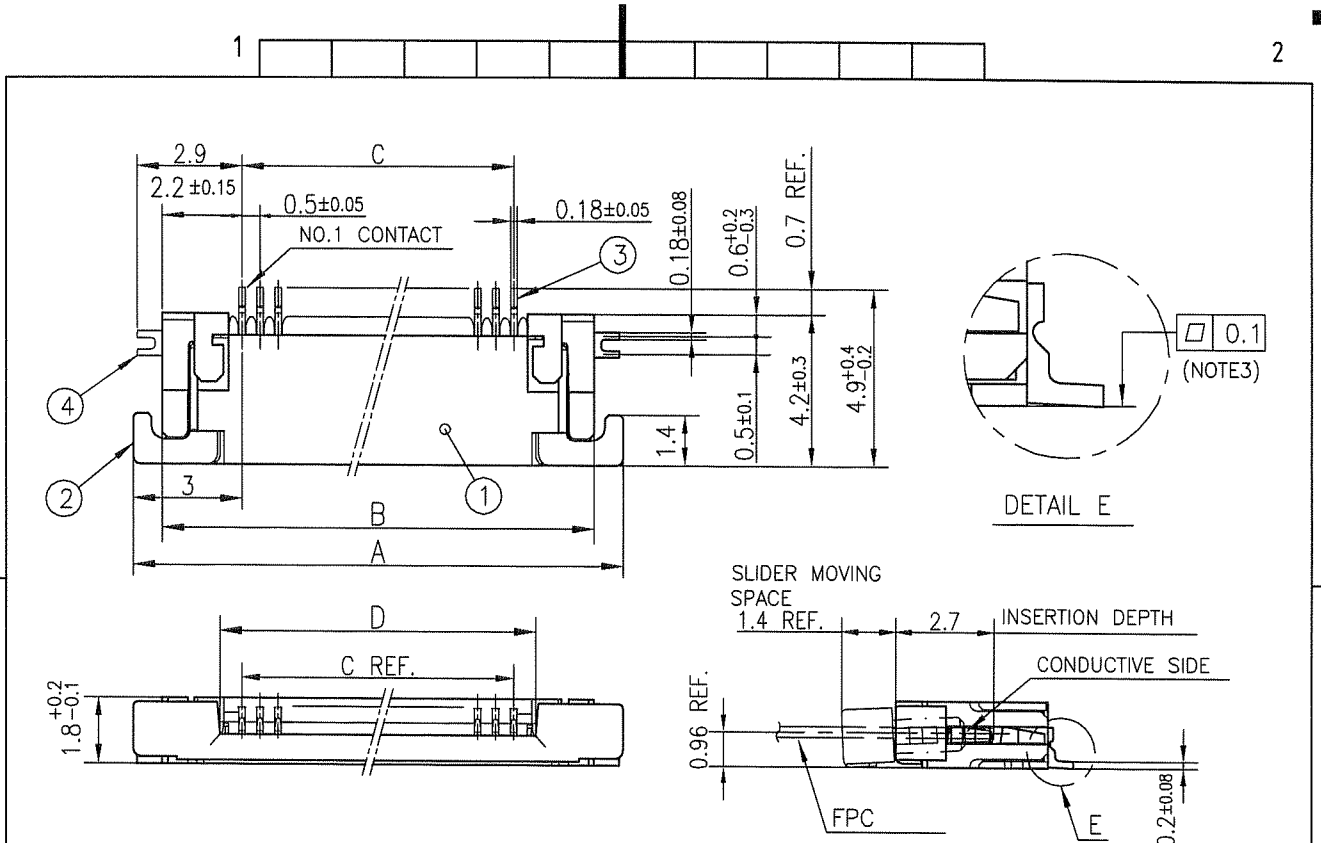
mat'l. code		surface ISO 1302 ✓ tolerance ISO 406 ISO 1101		projection mm		product family 58EF		CODE JP	
ltr		ecn no		dr		date		tolerances unless otherwise specified ±0.2	
A								title CONNECTOR USED FOR FPC WITH 0.5 mm CONTACT SPACING (Cat No. : SFV__R-1STA__HLF)	
				angles		linear		scale X	
		dr		S. Watanabe 2011-1-20		engr		S. Watanabe 2011-1-20	
		chr		Y. Yamada 2011-1-20		chr		Y. Yamada 2011-1-20	
		appd		M. Ueda 2011-1-20		appd		M. Ueda 2011-1-20	
sheet index		revision sheet						dwg no 10117077	
								sheet 3 of 9	
								size A4	
								type Product Customer Drawing	
								Rev. A	



FCIconnect.com

Copyright FCI.

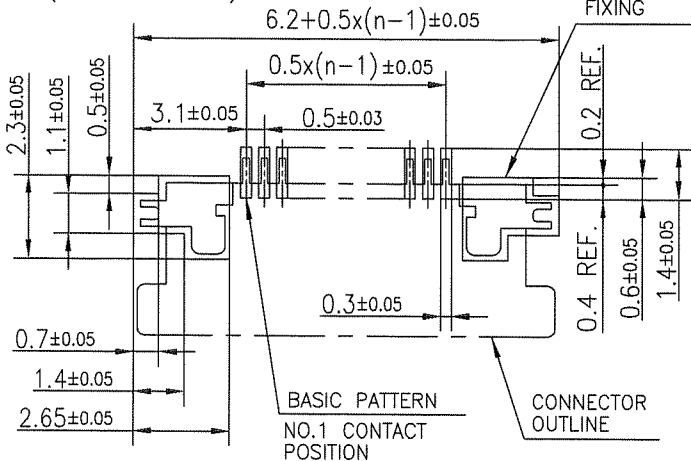




PT. NO.	PARTS NAME	MATERIAL	Q'TY	NOTE
1	HOUSING	13~35pin : LCP RESIN GLASS REINFORCED (UL94V-0)	1	COLOR : BLACK (HALOGEN FREE)
		4~12pin : POLYAMIDE RESIN GLASS REINFORCED (UL94V-0)		
2	SLIDER	PPS RESIN GLASS REINFORCED (UL94V-0)	1	COLOR : BLACK (HALOGEN FREE)
3	CONTACT	PHOSPHOR BRONZE	n	PLATING : CONTACT AREA GOLD TERMINAL AREA MATTE TIN
4	MOUNTING PLATE		2	PLATING : MATTE TIN

n : NO. OF CONTACTS

RECOMMENDED PC BOARD LAYOUT  
(COMPONENT SIDE)



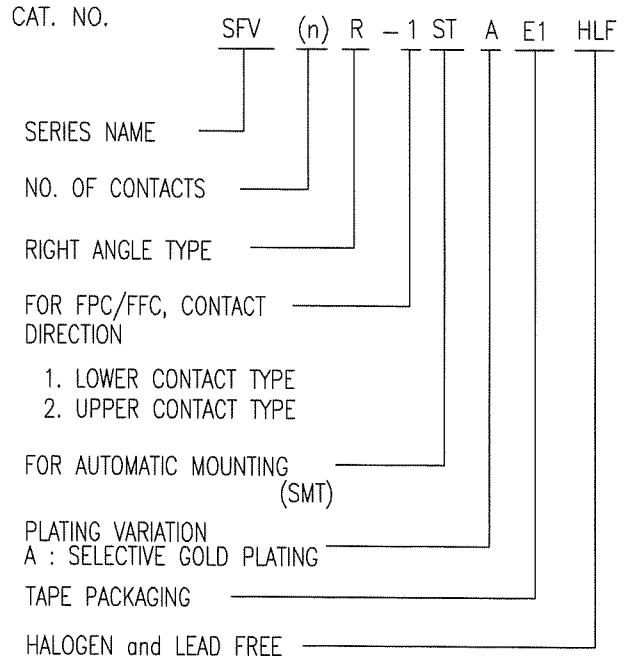
NOTES

1. THIS PRODUCT IS THE CONNECTOR USED FOR FPC AND COPER WITH AUTOMATIC MOUNTING (SMT).
2. THIS PRODUCT IS UPPER CONTACT TYPE CONNECTOR.
3. FLATNESS OF CONTACT TERMINAL AND MOUNTING PLATE MUST BE WITHIN TOLERANCE IN E PORTION DETAILED DRAWING.
4. THIS PRODUCT MEETS EUROPEAN UNION DIRECTIVES AND OTHER COUNTRY REGULATIONS AS DESCRIBED IN GS-22-008.
5. THE HOUSING WILL WITHSTAND EXPOSURE TO 260°C PEAK TEMPERATURE FOR 10 SECONDS IN A REFLOW SOLDERING OVEN.

mat'l. code		surface ISO 1302 ✓ tolerance ISO 406 ISO 1101		projection mm		product family 58EF		CODE JP	
ltr		ecn no		dr		date		tolerances unless otherwise specified ±0.2	
A								angles linear	
sheet index		revision sheet		dr		engr		chr	
				S. Nishida 2011-1-20		S. Nishida 2011-1-20		Y. Kamada 2011-1-20	
				appd		M. Kimura Jan 24 11		scale	
						FCI		dwg no 10117077	
								sheet 4 of 9	
								size A4	
								type Product Customer Drawing	
								Rev. A	

CAT. NO. & DIMENSIONS

NO. OF CONTACTS (n)	CAT. NO.	DIMENSIONS (NOTE3)		
		F ± 5	G ± 0.3	H ± 0.1
4	SFV4R-1/2STAE1HLF	20.4	16	—
5	SFV5R-1/2STAE1HLF	20.4	16	—
6	SFV6R-1/2STAE1HLF	20.4	16	—
7	SFV7R-1/2STAE1HLF	28.4	24	—
8	SFV8R-1/2STAE1HLF	28.4	24	—
9	SFV9R-1/2STAE1HLF	28.4	24	—
10	SFV10R-1/2STAE1HLF	28.4	24	—
11	SFV11R-1/2STAE1HLF	28.4	24	—
12	SFV12R-1/2STAE1HLF	28.4	24	—
13	SFV13R-1/2STAE1HLF	28.4	24	—
14	SFV14R-1/2STAE1HLF	28.4	24	—
15	SFV15R-1/2STAE1HLF	28.4	24	—
16	SFV16R-1/2STAE1HLF	28.4	24	—
17	SFV17R-1/2STAE1HLF	28.4	24	—
18	SFV18R-1/2STAE1HLF	28.4	24	—
19	SFV19R-1/2STAE1HLF	28.4	24	—
20	SFV20R-1/2STAE1HLF	28.4	24	—
21	SFV21R-1/2STAE1HLF	28.4	24	—
22	SFV22R-1/2STAE1HLF	28.4	24	—
23	SFV23R-1/2STAE1HLF	36.4	32	28.4
24	SFV24R-1/2STAE1HLF	36.4	32	28.4
25	SFV25R-1/2STAE1HLF	36.4	32	28.4
26	SFV26R-1/2STAE1HLF	36.4	32	28.4
27	SFV27R-1/2STAE1HLF	36.4	32	28.4
28	SFV28R-1/2STAE1HLF	36.4	32	28.4
29	SFV29R-1/2STAE1HLF	36.4	32	28.4
30	SFV30R-1/2STAE1HLF	36.4	32	28.4
31	SFV31R-1/2STAE1HLF	48.4	44	40.4
32	SFV32R-1/2STAE1HLF	48.4	44	40.4
33	SFV33R-1/2STAE1HLF	48.4	44	40.4
34	SFV34R-1/2STAE1HLF	48.4	44	40.4
35	SFV35R-1/2STAE1HLF	48.4	44	40.4



NOTES

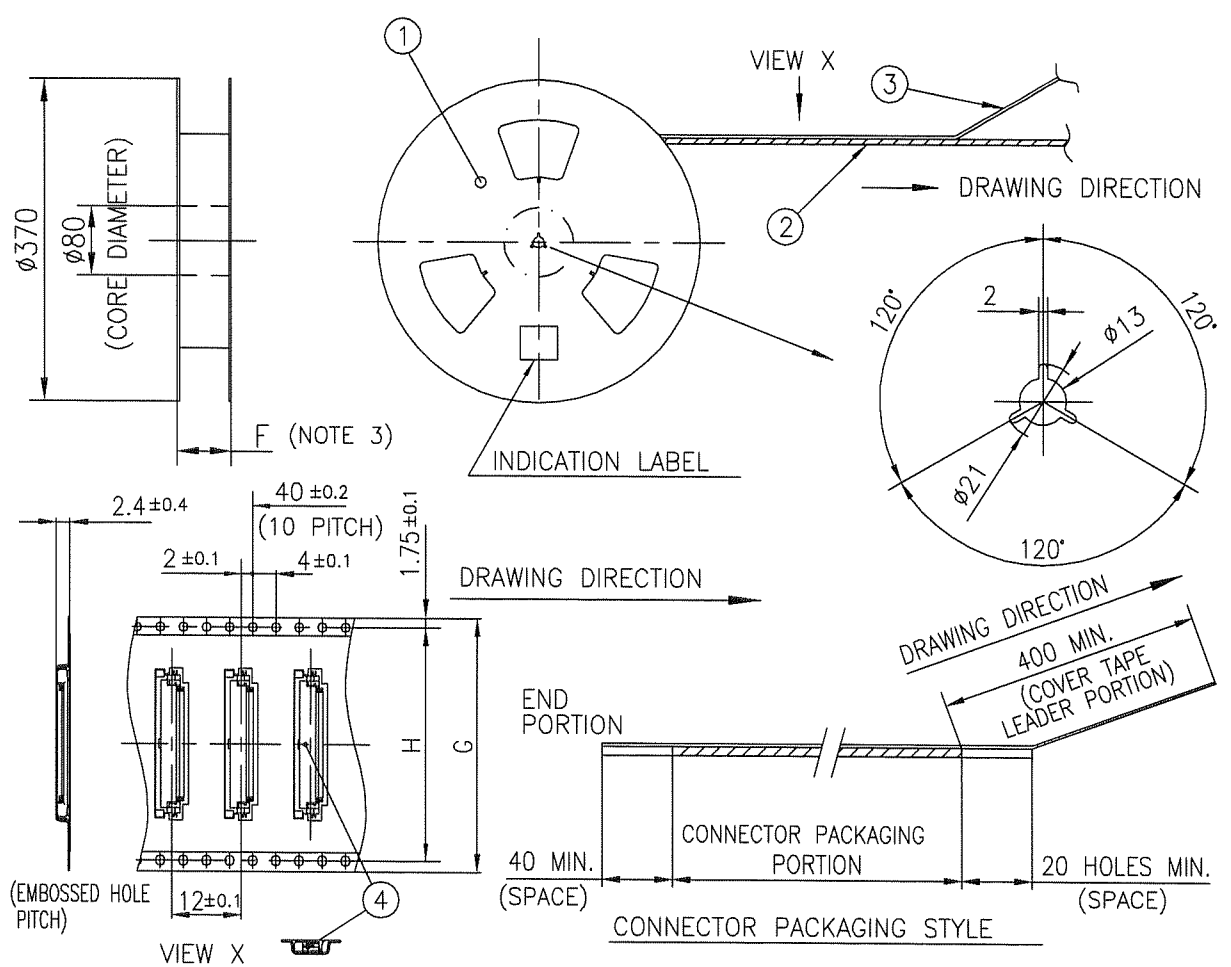
1. THIS PRODUCT IS THE CONNECTOR USED FOR FPC AND COPES WITH AUTOMATIC MOUNTING (SMT).
2. THIS CATALOG NO. INDICATES PLASTIC TAPE PACKAGED CONNECTOR.
3. SEE PART DRAWINGS FOR DIMENSIONS F~H.



FCIconnect.com

Copyright FCI.

mat'l. code				surface ISO 1302 <input checked="" type="checkbox"/> tolerance ISO 406 ISO 1101		projection		product family 58EF		CODE JP	
ltr ecn no dr date				tolerances unless otherwise specified		mm		title CAT. NO. TABLE FOR PLASTIC TAPE PACKAGED 0.5 mm CONTACT SPACING CONNECTOR (Cat. No. : SFV__R-1/2STAE1HLF)			
A				angles linear		scale X		dwg no 10117077 sheet 5 of 9 size A4			
				dr S. W. H. 2011-1-20		FCI		type Product Customer Drawing			
				enr S. W. H. 2011-1-20							
				chr S. W. H. 2011-1-20							
				appd M. J. M. 2011-1-20							
sheet index		revision sheet								Rev. A	



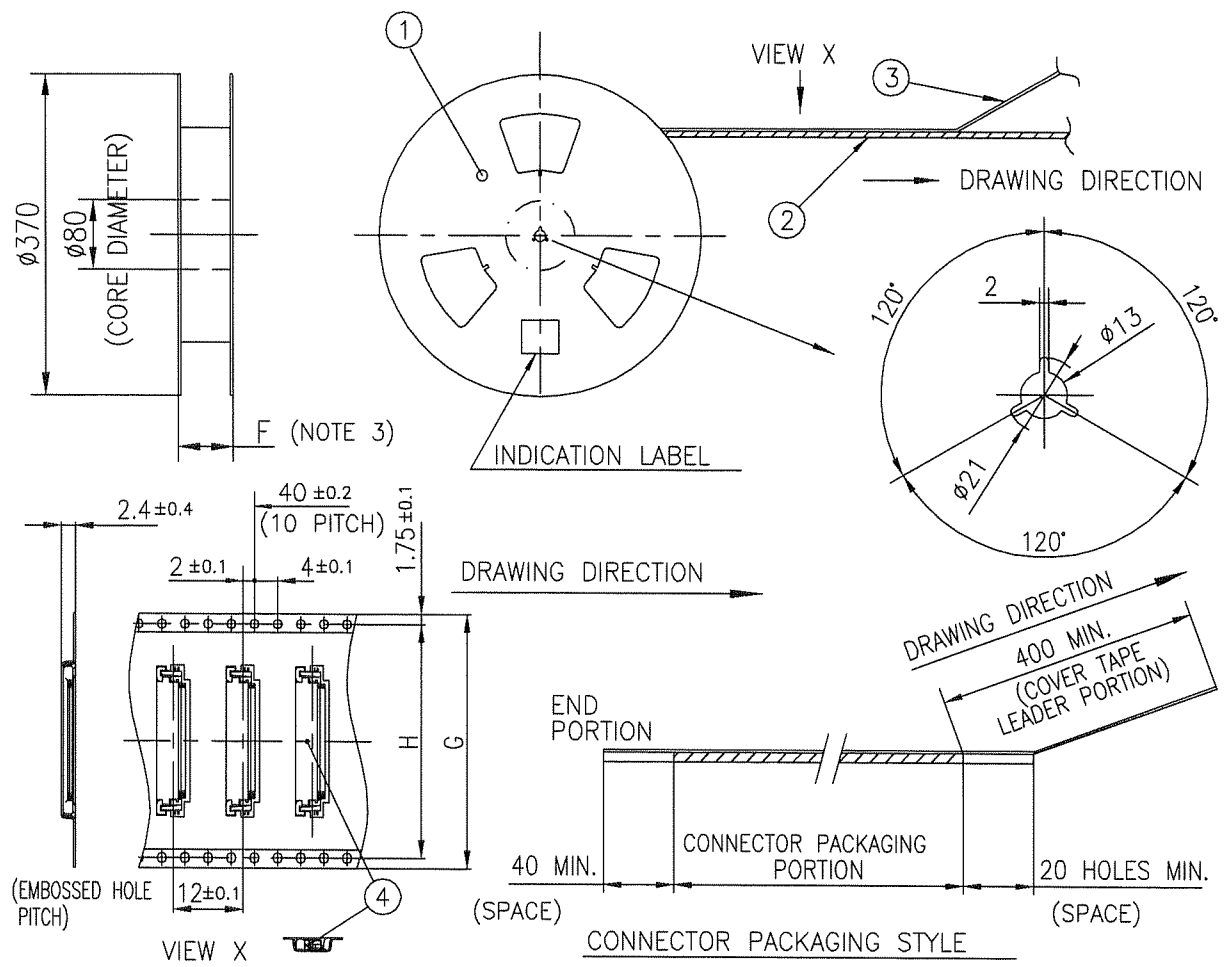
PT. NO.	PARTS NAME	CAT. NO.	MATERIAL	Q'TY	NOTE
1	REEL	_____	CARDBOARD	1	COLOR : WHITE
2	PLASTIC (EMBOSS) TAPE	_____	A-PET	_____	COLOR : TRANSPARENCY
3	COVER	_____	POLYESTER	_____	COLOR : TRANSPARENCY
4	CONNECTOR	SFV__R-1STA__HLF	SEE ATTACHED DWG.	3000	LOWER CONTACT TYPE

- NOTES
- THIS IS PLASTIC TAPE PACKAGED CONNECTOR USED FOR FPC AND COPES WITH AUTOMATIC MOUNTING (SMT).
  - SEE JIS C 0806 (PACKING OF ELECTRONIC COMPONENTS ON CONTINUOUS TAPES (SURFACE MOUNTING DEVICES)) FOR SHAPE AND DIMENSIONS OF PLASTIC (EMBOSS) TAPE AND REEL.
  - F DIMENSION IS PORTION OF THE CORE.

mat'l. code		surface 58 / tolerance ISO 1302 / ISO 406 / ISO 1101		projection		product family 58EF		CODE JP	
ltr		ecn no dr date		tolerances unless otherwise specified		title		dwg no	
A				angles linear ±5		PLASTIC TAPE PACKAGED 0.5 mm CONTACT SPACING CONNECTOR (Cat. No. : SFV__R-1STAE1HLF)		sheet 6 of 9	
				±5'		scale X		size	
		dr S. Nishida 2011-1-20						10117077	
		enr S. Nishida 2011-1-20						type Product Customer Drawing	
		chr Y. Yamada 2011-1-20						Rev. A	
		appd M. Kim Jan 24/11							
sheet index		revision sheet							



Copyright FCI.



PT. NO.	PARTS NAME	CAT. NO.	MATERIAL	Q'TY	NOTE
1	REEL	_____	CARDBOARD	1	COLOR : WHITE
2	PLASTIC (EMBOSS) TAPE	_____	A-PET	_____	COLOR : TRANSPARENCY
3	COVER	_____	POLYESTER	_____	COLOR : TRANSPARENCY
4	CONNECTOR	SFV__R-2STA_HLF	SEE ATTACHED DWG.	3000	UPPER CONTACT TYPE

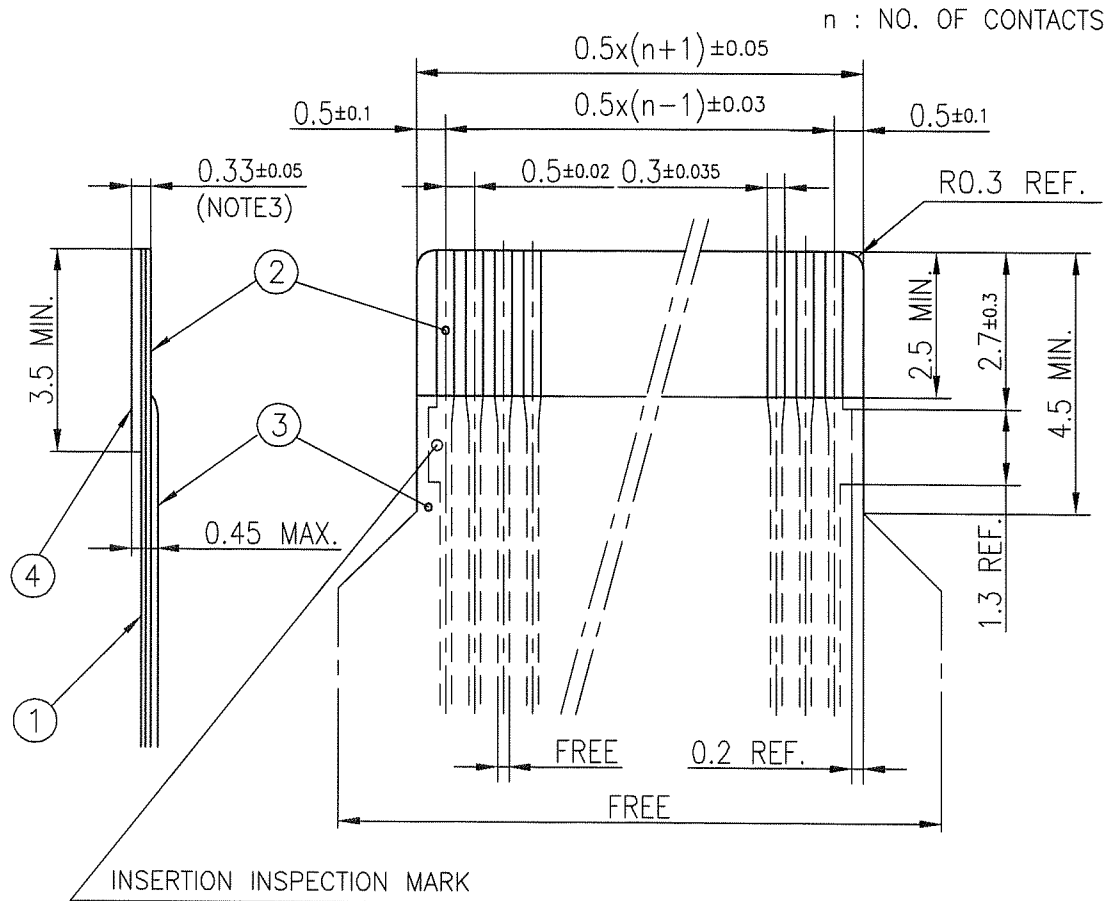
- NOTES
- THIS IS PLASTIC TAPE PACKAGED CONNECTOR USED FOR FPC AND COPEs WITH AUTOMATIC MOUNTING (SMT).
  - SEE JIS C 0806 (PACKING OF ELECTRONIC COMPONENTS ON CONTINUOUS TAPES (SURFACE MOUNTING DEVICES)) FOR SHAPE AND DIMENSIONS OF PLASTIC (EMBOSS) TAPE AND REEL.
  - F DIMENSION IS PORTION OF THE CORE.

mat'l. code		surface ISO 1302 <input checked="" type="checkbox"/>		tolerance ISO 406 <input checked="" type="checkbox"/>		projection		product family 58EF		CODE JP	
ltr		ecn no		dr		date		tolerances unless otherwise specified		title	
A								±5		PLASTIC TAPE PACKAGED 0.5 mm CONTACT SPACING CONNECTOR (Cat. No. : SFV__R-2STAE1HLF)	
				angles		linear		mm		scale X	
				±5'						dwg no	
				dr		2011-1-20		sheet 7 of 9		size	
				enr		2011-1-20		FCI		10117077	
				chr		2011-1-20				A4	
				appd		Jan 24/11				type Product Customer Drawing	
sheet index		revision sheet								Rev. A	



Copyright FCI.

RECOMMENDED CABLE (FPC)



PT. NO.	PARTS NAME	MATERIAL	THICKNESS (°m)
1	BASE FILM	POLYIMIDE OR POLYESTER OR EQUAL	25
2	CONDUCTOR	COPPER FOIL(PLATING : GOLD )	35
3	OVERLAY	POLYIMIDE OR POLYESTER OR EQUAL	—
4	SUPPORTING TAPE	POLYESTER OR POLYIMIDE OR EQUAL	188

NOTES

1. NO BURR AT EACH PORTION.
2. NO PEELING IN COMMON USE.
3. TOTAL THICKNESS LIMIT OF EACH MATERIAL (INCLUDING ADHESIVE AGENT) IS SPECIFIED.

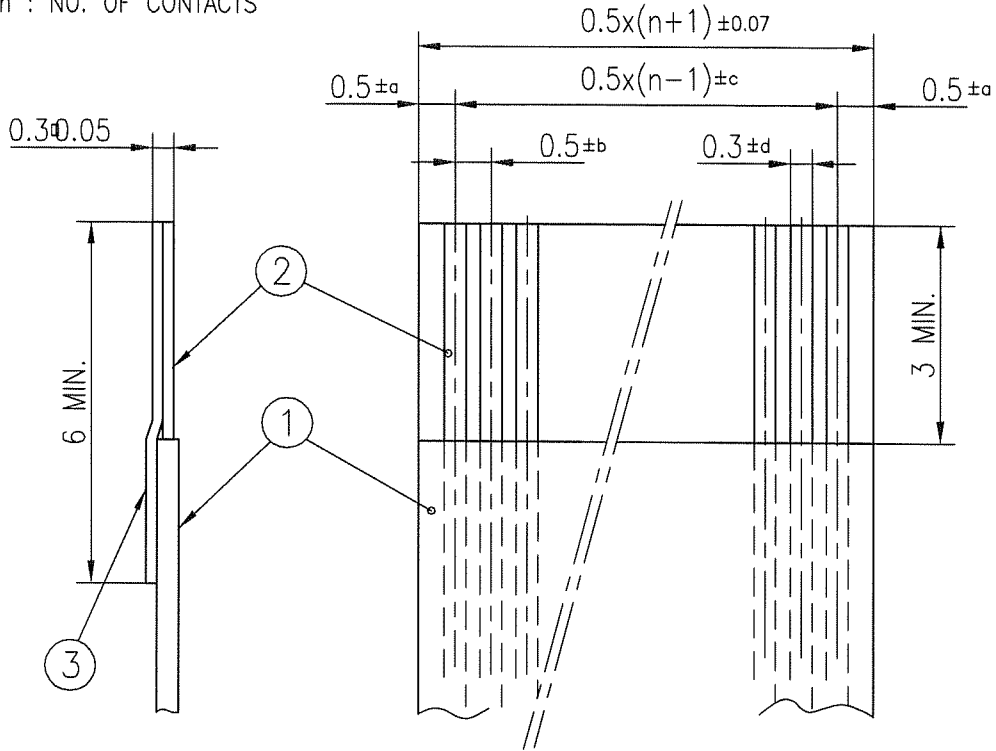
mat'l. code		surface ISO 1302 <input checked="" type="checkbox"/>		tolerance ISO 406 <input checked="" type="checkbox"/>		projection		product family 58EF		CODE JP	
ltr		ecn no		dr		date		tolerances unless otherwise specified		title	
A								angles linear		RECOMMENDED CABLE (Cat. No. : SFV__R-1/2STA__HLF)	
								mm		scale X	
				dr		2011-1-20		FCCI		dwg no sheet 8 of 9 size	
				enr		2011-1-20				10117077 A4	
				chr		2011-1-20					
				appd		Jm24/11					
sheet index		revision sheet						type Product Customer Drawing		Rev. A	

Copyright FCI. FCconnect.com



RECOMMENDED CABLE (FFC)

n : NO. OF CONTACTS



KIND OF FFC (NOTE3)	DIMENSIONAL TOLERANCE			
	a	b	c	d
1	±0.07	±0.04	±0.05	±0.02
2	±0.1	±0.03	±0.03	±0.025

PT. NO.	PARTS NAME	MATERIAL
1	INSULATOR	FLAME RESISTING POLYESTER OR EQUAL
2	CONDUCTOR	COPPER FOIL (PLATING : GOLD)
3	SUPPORTING TAPE	FLAME RESISTING POLYESTER OR EQUAL

NOTES

1. NO BURR AT EACH PORTION.
2. NO PEELING IN COMMON USE.
3. EITHER KIND1 OR KIND2 OF FFC CAN ACCEPT DIMENSIONAL TOLERANCE a,b,c AND d.

mat'l. code		surface ISO 1302 <input checked="" type="checkbox"/> ISO 406 <input type="checkbox"/> ISO 1101 <input type="checkbox"/>		tolerance ISO 406 <input type="checkbox"/> ISO 1101 <input type="checkbox"/>		projection		product family 58EF		CODE JP	
ltr		ecn no		dr		date		title		RECOMMENDED CABLE (Cat. No. : SFV__R-1/2STA__HLF)	
A								mm			
				angles		linear		scale X			
		dr		S. Watabe		2011-1-20		dwg no		sheet 9 of 9 size	
		enrg		S. Watabe		2011-1-20		10117077		A4	
		chr		S. Komatsu		2011-1-20		type		Product Customer Drawing	
		appd		M. Chino		Jan 24/11					
sheet index		revision sheet								Rev. A	



FCIconnect.com

Copyright FCI.



Компания «ЭлектроПласт» предлагает заключение долгосрочных отношений при поставках импортных электронных компонентов на взаимовыгодных условиях!

Наши преимущества:

- Оперативные поставки широкого спектра электронных компонентов отечественного и импортного производства напрямую от производителей и с крупнейших мировых складов;
- Поставка более 17-ти миллионов наименований электронных компонентов;
- Поставка сложных, дефицитных, либо снятых с производства позиций;
- Оперативные сроки поставки под заказ (от 5 рабочих дней);
- Экспресс доставка в любую точку России;
- Техническая поддержка проекта, помощь в подборе аналогов, поставка прототипов;
- Система менеджмента качества сертифицирована по Международному стандарту ISO 9001;
- Лицензия ФСБ на осуществление работ с использованием сведений, составляющих государственную тайну;
- Поставка специализированных компонентов (Xilinx, Altera, Analog Devices, Intersil, Interpoint, Microsemi, Aeroflex, Peregrine, Syfer, Eurofarad, Texas Instrument, Miteq, Cobham, E2V, MA-COM, Hittite, Mini-Circuits, General Dynamics и др.);

Помимо этого, одним из направлений компании «ЭлектроПласт» является направление «Источники питания». Мы предлагаем Вам помощь Конструкторского отдела:

- Подбор оптимального решения, техническое обоснование при выборе компонента;
- Подбор аналогов;
- Консультации по применению компонента;
- Поставка образцов и прототипов;
- Техническая поддержка проекта;
- Защита от снятия компонента с производства.



#### Как с нами связаться

**Телефон:** 8 (812) 309 58 32 (многоканальный)

**Факс:** 8 (812) 320-02-42

**Электронная почта:** [org@eplast1.ru](mailto:org@eplast1.ru)

**Адрес:** 198099, г. Санкт-Петербург, ул. Калинина, дом 2, корпус 4, литера А.