



FCIconnect.com

Copyright FCI.

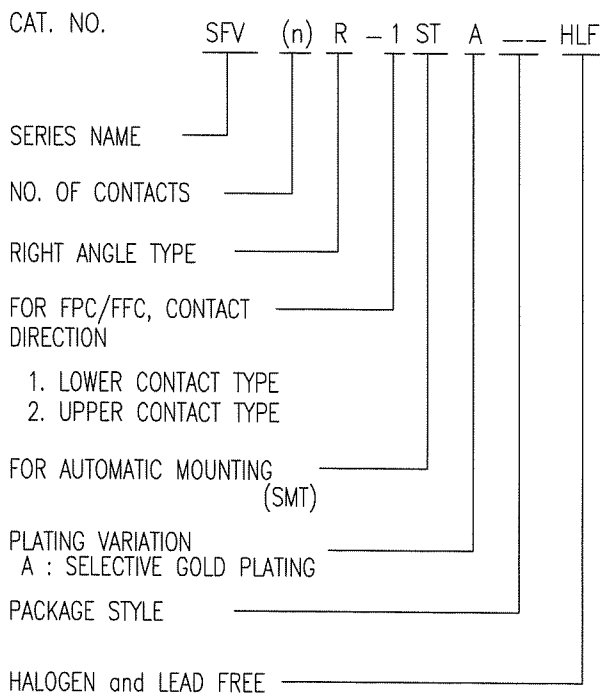
List of "SFV__R-1/2STAE1HLF" customer document

| DOCUMENT NO. | LIST |
|-----------------|---|
| SC-SFV08 | SPEC. |
| 10117077 Sheet2 | CAT.NO.TABLE FOR 0.5mm CONTACT SPACING CONNECTOR (SFV__R-1/2STA_HLF) |
| 10117077 Sheet3 | CONNECTOR USED FOR FPC/FPC WITH 0.5mm CONTACT SPACING (SFV__R-1STA_HLF) |
| 10117077 Sheet4 | CONNECTOR USED FOR FPC/FPC WITH 0.5mm CONTACT SPACING (SFV__R-2STA_HLF) |
| 10117077 Sheet5 | CAT.NO.TABLE FOR PLASTIC TAPE PACKAGED 0.5mm CONTACT SPACING CONNECTOR (SFV__R-1/2STAE1HLF) |
| 10117077 Sheet6 | PLASTIC TAPE PACKAGED 0.5mm CONTACT SPACING CONNECTOR (SFV__R-1STAE1HLF) |
| 10117077 Sheet7 | PLASTIC TAPE PACKAGED 0.5mm CONTACT SPACING CONNECTOR (SFV__R-2STAE1HLF) |
| 10117077 Sheet8 | RECOMMENDED CABLE (FPC) (SFV__R-1/2STA_HLF) |
| 10117077 Sheet9 | RECOMMENDED CABLE (FPC) (SFV__R-1/2STA_HLF) |
| BJM-SFV101 | HANDLING PROCEDURES |

| | | | | | | | | | | | | | |
|-------------|--|----------------|--|---|--|----------------------------------|--|---------------------------------------|--|--|--|--------------------------|--|
| mat'l. code | | | | surface ISO 1302 <input checked="" type="checkbox"/> ISO 406 ISO 1101 | | tolerance ISO 406 ISO 1101 | | projection | | product family 58EF | | CODE JP | |
| ltr | | ecn no | | dr | | date | | tolerances unless otherwise specified | | title | | sheet 1 of 9 | |
| A | | J11-0017 | | S.W | | 2011-1-20 | | linear | | 0.5mm SPACING FPC CONNECTOR DOCUMENT LIST | | size | |
| | | | | | | | | mm | | (Cat. No. : SFV__R-1/2STAE1HLF) | | A4 | |
| | | | | | | | | scale \times | | dwg no | | sheet 1 of 9 | |
| | | | | dr | | 2011-1-20 | | | | 10117077 | | size | |
| | | | | enrg | | 2011-1-20 | | | | type | | Product Customer Drawing | |
| | | | | chr | | 2011-1-20 | | | | | | Rev. | |
| | | | | appd | | Jan 24/11 | | | | | | A | |
| sheet index | | revision sheet | | A | | A | | A | | A | | A | |
| 1 | | 2 | | 3 | | 4 | | 5 | | 6 | | 7 | |
| 8 | | 9 | | | | | | | | | | | |

CAT. NO. & DIMENSIONS

| NO. OF CONTACTS (n) | CAT. NO. | DIMENSIONS (NOTE2) | | | |
|---------------------|--------------------|--------------------|---------|---------|---------|
| | | A ± 0.2 | B ± 0.2 | C ± 0.1 | D ± 0.1 |
| 4 | SFV4R-1/2STA__HLF | 7.5 | 5.9 | 1.5 | 2.7 |
| 5 | SFV5R-1/2STA__HLF | 8.0 | 6.4 | 2.0 | 3.2 |
| 6 | SFV6R-1/2STA__HLF | 8.5 | 6.9 | 2.5 | 3.7 |
| 7 | SFV7R-1/2STA__HLF | 9.0 | 7.4 | 3.0 | 4.2 |
| 8 | SFV8R-1/2STA__HLF | 9.5 | 7.9 | 3.5 | 4.7 |
| 9 | SFV9R-1/2STA__HLF | 10.0 | 8.4 | 4.0 | 5.2 |
| 10 | SFV10R-1/2STA__HLF | 10.5 | 8.9 | 4.5 | 5.7 |
| 11 | SFV11R-1/2STA__HLF | 11.0 | 9.4 | 5.0 | 6.2 |
| 12 | SFV12R-1/2STA__HLF | 11.5 | 9.9 | 5.5 | 6.7 |
| 13 | SFV13R-1/2STA__HLF | 12.0 | 10.4 | 6.0 | 7.2 |
| 14 | SFV14R-1/2STA__HLF | 12.5 | 10.9 | 6.5 | 7.7 |
| 15 | SFV15R-1/2STA__HLF | 13.0 | 11.4 | 7.0 | 8.2 |
| 16 | SFV16R-1/2STA__HLF | 13.5 | 11.9 | 7.5 | 8.7 |
| 17 | SFV17R-1/2STA__HLF | 14.0 | 12.4 | 8.0 | 9.2 |
| 18 | SFV18R-1/2STA__HLF | 14.5 | 12.9 | 8.5 | 9.7 |
| 19 | SFV19R-1/2STA__HLF | 15.0 | 13.4 | 9.0 | 10.2 |
| 20 | SFV20R-1/2STA__HLF | 15.5 | 13.9 | 9.5 | 10.7 |
| 21 | SFV21R-1/2STA__HLF | 16.0 | 14.4 | 10.0 | 11.2 |
| 22 | SFV22R-1/2STA__HLF | 16.5 | 14.9 | 10.5 | 11.7 |
| 23 | SFV23R-1/2STA__HLF | 17.0 | 15.4 | 11.0 | 12.2 |
| 24 | SFV24R-1/2STA__HLF | 17.5 | 15.9 | 11.5 | 12.7 |
| 25 | SFV25R-1/2STA__HLF | 18.0 | 16.4 | 12.0 | 13.2 |
| 26 | SFV26R-1/2STA__HLF | 18.5 | 16.9 | 12.5 | 13.7 |
| 27 | SFV27R-1/2STA__HLF | 19.0 | 17.4 | 13.0 | 14.2 |
| 28 | SFV28R-1/2STA__HLF | 19.5 | 17.9 | 13.5 | 14.7 |
| 29 | SFV29R-1/2STA__HLF | 20.0 | 18.4 | 14.0 | 15.2 |
| 30 | SFV30R-1/2STA__HLF | 20.5 | 18.9 | 14.5 | 15.7 |
| 31 | SFV31R-1/2STA__HLF | 21.0 | 19.4 | 15.0 | 16.2 |
| 32 | SFV32R-1/2STA__HLF | 21.5 | 19.9 | 15.5 | 16.7 |
| 33 | SFV33R-1/2STA__HLF | 22.0 | 20.4 | 16.0 | 17.2 |
| 34 | SFV34R-1/2STA__HLF | 22.5 | 20.9 | 16.5 | 17.7 |
| 35 | SFV35R-1/2STA__HLF | 23.0 | 21.4 | 17.0 | 18.2 |



NOTES

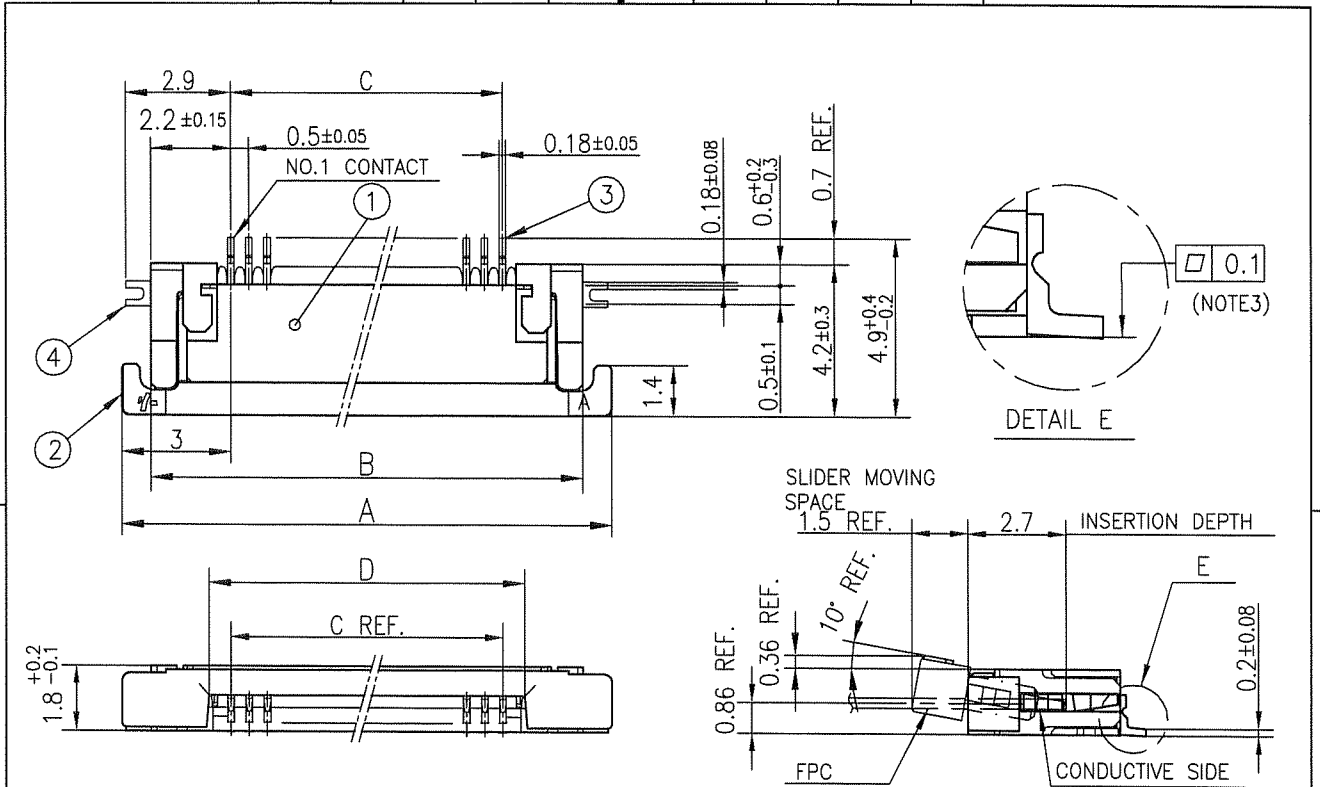
1. THIS PRODUCT IS THE CONNECTOR USED FOR FPC AND COPES WITH AUTOMATIC MOUNTING (SMT).
2. SEE PART DRAWINGS FOR DIMENSIONS A~D.



FCIconnect.com

Copyright FCI.

| | | | | | | | | | | | |
|-------------|--|---|--|--------------------------------------|--|------------|--|---|--|--------------|--|
| mat'l. code | | surface ISO 1302 <input checked="" type="checkbox"/> ISO 406 <input checked="" type="checkbox"/> ISO 1101 | | tolerance unless otherwise specified | | projection | | product family 58EF | | CODE JP | |
| ltr | | ecn no | | dr | | date | | title | | sheet 2 of 9 | |
| A | | | | | | | | CAT. NO. TABLE FOR 0.5 mm CONTACT SPACING CONNECTOR (Cat. No. : SFV__R-1/2STA__HLF) | | size A4 | |
| | | | | angles linear | | mm | | dwg no 10117077 | | | |
| | | | | dr S. W. 2011-1-20 | | scale X | | type Product Customer Drawing | | | |
| | | | | enr S. W. 2011-1-20 | | | | | | | |
| | | | | chr Y. Ramon 2011-1-20 | | | | | | | |
| | | | | appd [Signature] Jan 24 11 | | | | | | | |
| sheet index | | revision sheet | | | | | | | | Rev. A | |

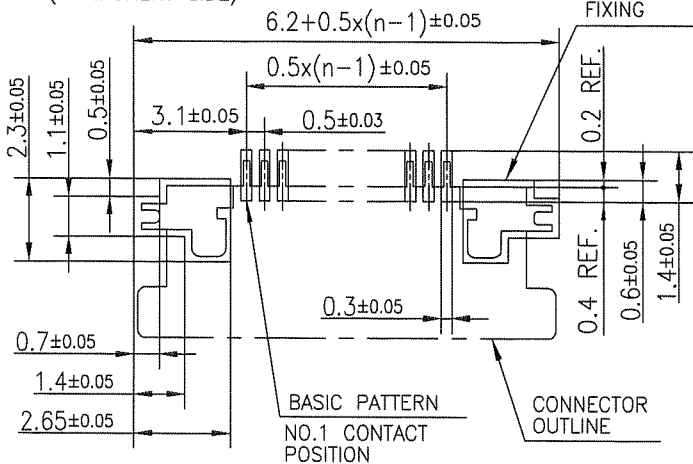


| PT. NO. | PARTS NAME | MATERIAL | Q'TY | NOTE |
|---------|----------------|--|------|--|
| 1 | HOUSING | 13~35pin : LCP RESIN GLASS REINFORCED (UL94V-0) | 1 | COLOR : BLACK (HALOGEN FREE) |
| | | 4~12pin : POLYAMIDE RESIN GLASS REINFORCED (UL94V-0) | | |
| 2 | SLIDER | PPS RESIN GLASS REINFORCED (UL94V-0) | 1 | COLOR : BLACK (HALOGEN FREE) |
| 3 | CONTACT | PHOSPHOR BRONZE | n | PLATING : CONTACT AREA GOLD TERMINAL AREA MATTE TIN |
| 4 | MOUNTING PLATE | | 2 | PLATING : MATTE TIN |

RECOMMENDED PC BOARD LAYOUT
(COMPONENT SIDE)

PATTERN FOR MOUNTING PLATE
FIXING

n : NO. OF CONTACTS



NOTES

1. THIS PRODUCT IS THE CONNECTOR USED FOR FPC AND COPS WITH AUTOMATIC MOUNTING (SMT).
2. THIS PRODUCT IS LOWER CONTACT TYPE CONNECTOR.
3. FLATNESS OF CONTACT TERMINAL AND MOUNTING PLATE MUST BE WITHIN TOLERANCE IN E PORTION DETAILED DRAWING.
4. THIS PRODUCT MEETS EUROPEAN UNION DIRECTIVES AND OTHER COUNTRY REGULATIONS AS DESCRIBED IN GS-22-008.
5. THE HOUSING WILL WITHSTAND EXPOSURE TO 260°C PEAK TEMPERATURE FOR 10 SECONDS IN A REFLOW SOLDERING OVEN.

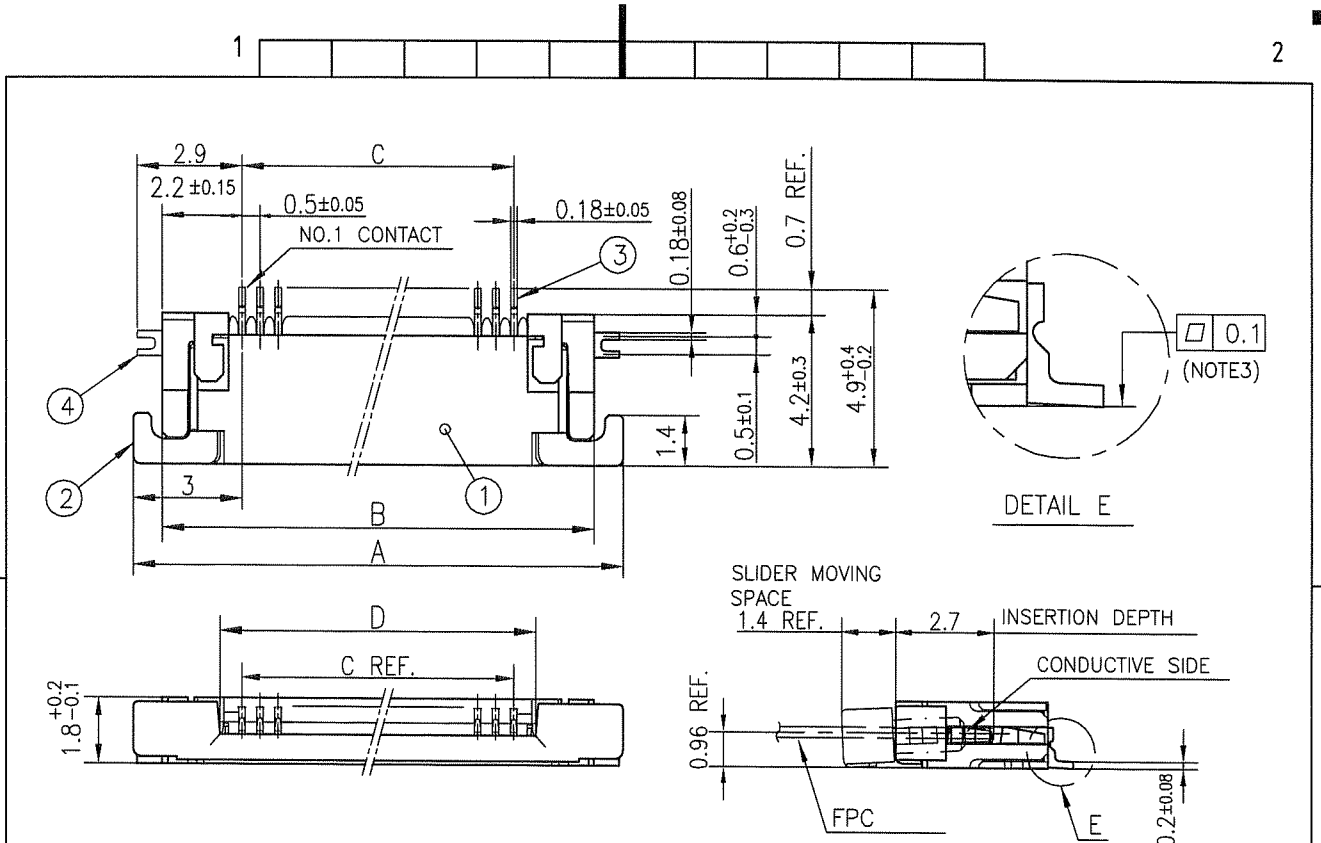
| | | | | | | | | | |
|-------------|--|---|--|----------------|--|------------------------|--|--|--|
| mat'l. code | | surface ISO 1302 ✓ tolerance ISO 406 ISO 1101 | | projection | | product family 58EF | | CODE JP | |
| ltr | | ecn no | | dr | | date | | tolerances unless otherwise specified ±0.2 | |
| A | | | | | | | | angles linear | |
| | | | | | | | | mm scale X | |
| | | | | | | | | title CONNECTOR USED FOR FPC WITH 0.5 mm CONTACT SPACING (Cat No. : SFV__R-1STA__HLF) | |
| | | | | | | | | dwg no 10117077 | |
| | | | | | | | | sheet 3 of 9 | |
| | | | | | | | | size A4 | |
| | | | | | | | | type Product Customer Drawing | |
| sheet index | | revision sheet | | | | | | Rev. A | |



FCIconnect.com

Copyright FCI.

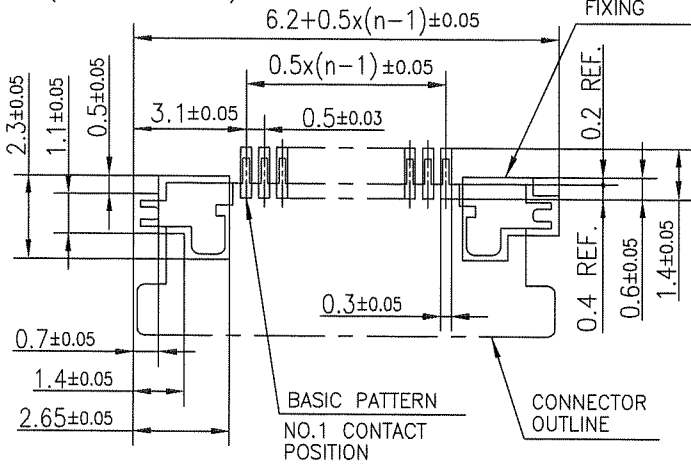




| PT. NO. | PARTS NAME | MATERIAL | Q'TY | NOTE |
|---------|----------------|--|------|--|
| 1 | HOUSING | 13~35pin : LCP RESIN GLASS REINFORCED (UL94V-0) | 1 | COLOR : BLACK (HALOGEN FREE) |
| | | 4~12pin : POLYAMIDE RESIN GLASS REINFORCED (UL94V-0) | | |
| 2 | SLIDER | PPS RESIN GLASS REINFORCED (UL94V-0) | 1 | COLOR : BLACK (HALOGEN FREE) |
| 3 | CONTACT | PHOSPHOR BRONZE | n | PLATING : CONTACT AREA GOLD TERMINAL AREA MATTE TIN |
| 4 | MOUNTING PLATE | | 2 | PLATING : MATTE TIN |

n : NO. OF CONTACTS

RECOMMENDED PC BOARD LAYOUT
(COMPONENT SIDE)



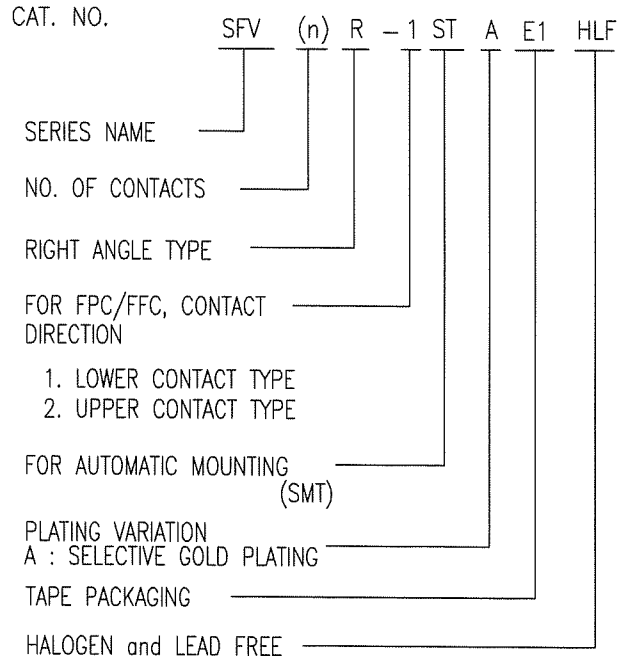
NOTES

1. THIS PRODUCT IS THE CONNECTOR USED FOR FPC AND COPER WITH AUTOMATIC MOUNTING (SMT).
2. THIS PRODUCT IS UPPER CONTACT TYPE CONNECTOR.
3. FLATNESS OF CONTACT TERMINAL AND MOUNTING PLATE MUST BE WITHIN TOLERANCE IN E PORTION DETAILED DRAWING.
4. THIS PRODUCT MEETS EUROPEAN UNION DIRECTIVES AND OTHER COUNTRY REGULATIONS AS DESCRIBED IN GS-22-008.
5. THE HOUSING WILL WITHSTAND EXPOSURE TO 260°C PEAK TEMPERATURE FOR 10 SECONDS IN A REFLOW SOLDERING OVEN.

| | | | | | | | | | |
|-------------|--|---|--|------------------|--|------------------------|--|---|--|
| mat'l. code | | surface ISO 1302 ✓ tolerance ISO 406 ISO 1101 | | projection mm | | product family 58EF | | CODE JP | |
| ltr | | ecn no | | dr | | date | | tolerances unless otherwise specified ±0.2 | |
| A | | | | | | | | title CONNECTOR USED FOR FPC WITH 0.5 mm CONTACT SPACING (Cat. No. : SFV__R-2STA__HLF) | |
| | | | | angles | | linear | | scale | |
| | | | | dr | | S. Nishida 2011-1-20 | | dwg no | |
| | | | | enrg | | S. Nishida 2011-1-20 | | sheet 4 of 9 | |
| | | | | chr | | Y. Kamada 2011-1-20 | | 10117077 | |
| | | | | appd | | M. Kimura Jan 24 11 | | size A4 | |
| sheet index | | revision sheet | | | | | | type Product Customer Drawing | |
| D | | | | | | | | Rev. A | |

CAT. NO. & DIMENSIONS

| NO. OF CONTACTS (n) | CAT. NO. | DIMENSIONS (NOTE3) | | |
|---------------------|--------------------|--------------------|---------|---------|
| | | F ± 5 | G ± 0.3 | H ± 0.1 |
| 4 | SFV4R-1/2STAE1HLF | 20.4 | 16 | — |
| 5 | SFV5R-1/2STAE1HLF | 20.4 | 16 | — |
| 6 | SFV6R-1/2STAE1HLF | 20.4 | 16 | — |
| 7 | SFV7R-1/2STAE1HLF | 28.4 | 24 | — |
| 8 | SFV8R-1/2STAE1HLF | 28.4 | 24 | — |
| 9 | SFV9R-1/2STAE1HLF | 28.4 | 24 | — |
| 10 | SFV10R-1/2STAE1HLF | 28.4 | 24 | — |
| 11 | SFV11R-1/2STAE1HLF | 28.4 | 24 | — |
| 12 | SFV12R-1/2STAE1HLF | 28.4 | 24 | — |
| 13 | SFV13R-1/2STAE1HLF | 28.4 | 24 | — |
| 14 | SFV14R-1/2STAE1HLF | 28.4 | 24 | — |
| 15 | SFV15R-1/2STAE1HLF | 28.4 | 24 | — |
| 16 | SFV16R-1/2STAE1HLF | 28.4 | 24 | — |
| 17 | SFV17R-1/2STAE1HLF | 28.4 | 24 | — |
| 18 | SFV18R-1/2STAE1HLF | 28.4 | 24 | — |
| 19 | SFV19R-1/2STAE1HLF | 28.4 | 24 | — |
| 20 | SFV20R-1/2STAE1HLF | 28.4 | 24 | — |
| 21 | SFV21R-1/2STAE1HLF | 28.4 | 24 | — |
| 22 | SFV22R-1/2STAE1HLF | 28.4 | 24 | — |
| 23 | SFV23R-1/2STAE1HLF | 36.4 | 32 | 28.4 |
| 24 | SFV24R-1/2STAE1HLF | 36.4 | 32 | 28.4 |
| 25 | SFV25R-1/2STAE1HLF | 36.4 | 32 | 28.4 |
| 26 | SFV26R-1/2STAE1HLF | 36.4 | 32 | 28.4 |
| 27 | SFV27R-1/2STAE1HLF | 36.4 | 32 | 28.4 |
| 28 | SFV28R-1/2STAE1HLF | 36.4 | 32 | 28.4 |
| 29 | SFV29R-1/2STAE1HLF | 36.4 | 32 | 28.4 |
| 30 | SFV30R-1/2STAE1HLF | 36.4 | 32 | 28.4 |
| 31 | SFV31R-1/2STAE1HLF | 48.4 | 44 | 40.4 |
| 32 | SFV32R-1/2STAE1HLF | 48.4 | 44 | 40.4 |
| 33 | SFV33R-1/2STAE1HLF | 48.4 | 44 | 40.4 |
| 34 | SFV34R-1/2STAE1HLF | 48.4 | 44 | 40.4 |
| 35 | SFV35R-1/2STAE1HLF | 48.4 | 44 | 40.4 |



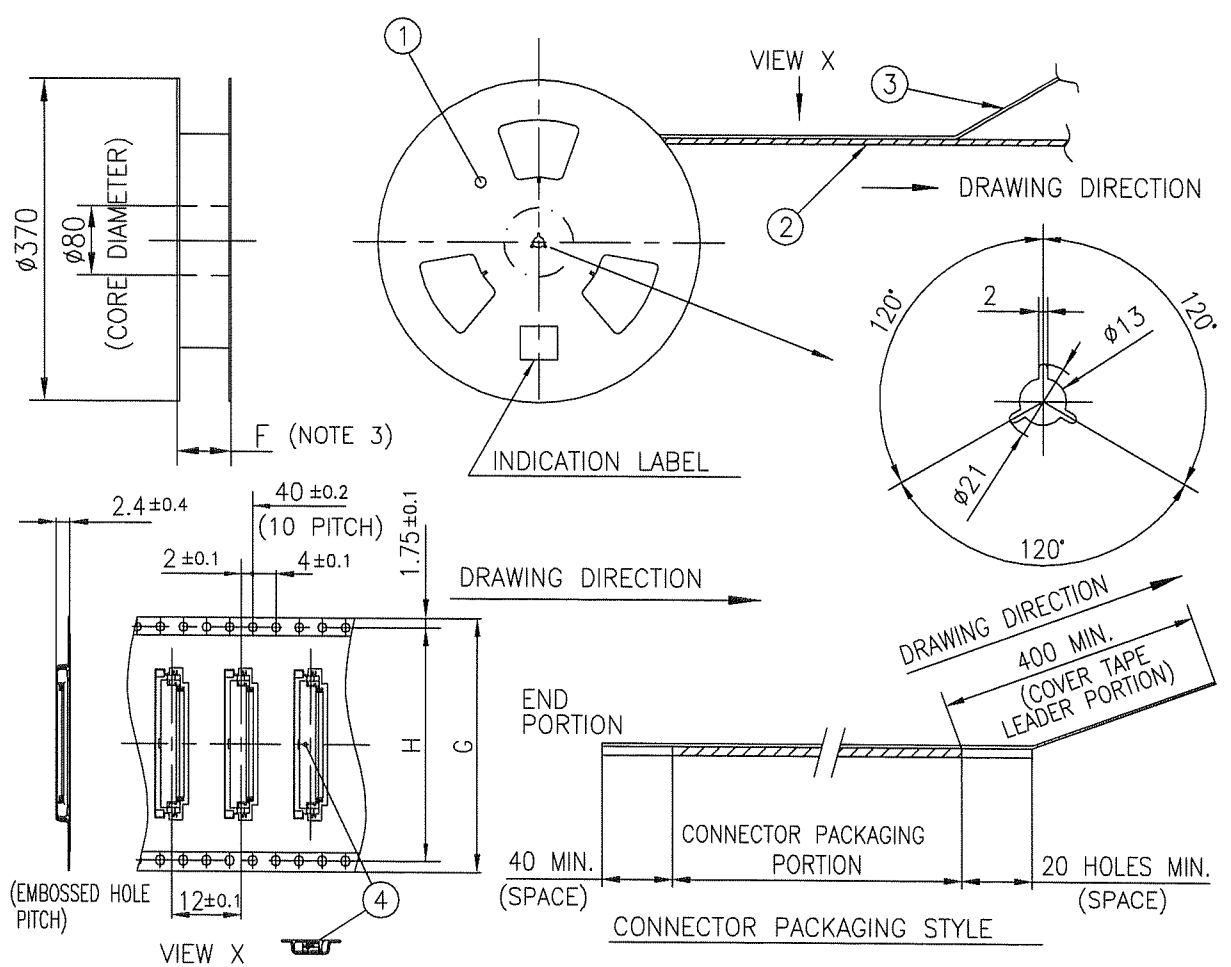
- NOTES
1. THIS PRODUCT IS THE CONNECTOR USED FOR FPC AND COPES WITH AUTOMATIC MOUNTING (SMT).
 2. THIS CATALOG NO. INDICATES PLASTIC TAPE PACKAGED CONNECTOR.
 3. SEE PART DRAWINGS FOR DIMENSIONS F~H.



FCIconnect.com

Copyright FCI.

| | | | | | | | | | | | |
|--------------------|--|----------------|--|---|--|------------|--|--|--|---------|--|
| mat'l. code | | | | surface ISO 1302 <input checked="" type="checkbox"/> tolerance ISO 406 ISO 1101 | | projection | | product family 58EF | | CODE JP | |
| ltr ecn no dr date | | | | tolerances unless otherwise specified | | mm | | title CAT. NO. TABLE FOR PLASTIC TAPE PACKAGED 0.5 mm CONTACT SPACING CONNECTOR (Cat. No. : SFV__R-1/2STAE1HLF) | | | |
| A | | | | angles linear | | scale X | | dwg no 10117077 sheet 5 of 9 size A4 | | | |
| | | | | dr S. W. H. 2011-1-20 | | FCI | | type Product Customer Drawing | | | |
| | | | | enr S. W. H. 2011-1-20 | | | | | | | |
| | | | | chr S. W. H. 2011-1-20 | | | | | | | |
| | | | | appd M. J. M. 2011-1-20 | | | | | | | |
| sheet index | | revision sheet | | | | | | | | Rev. A | |



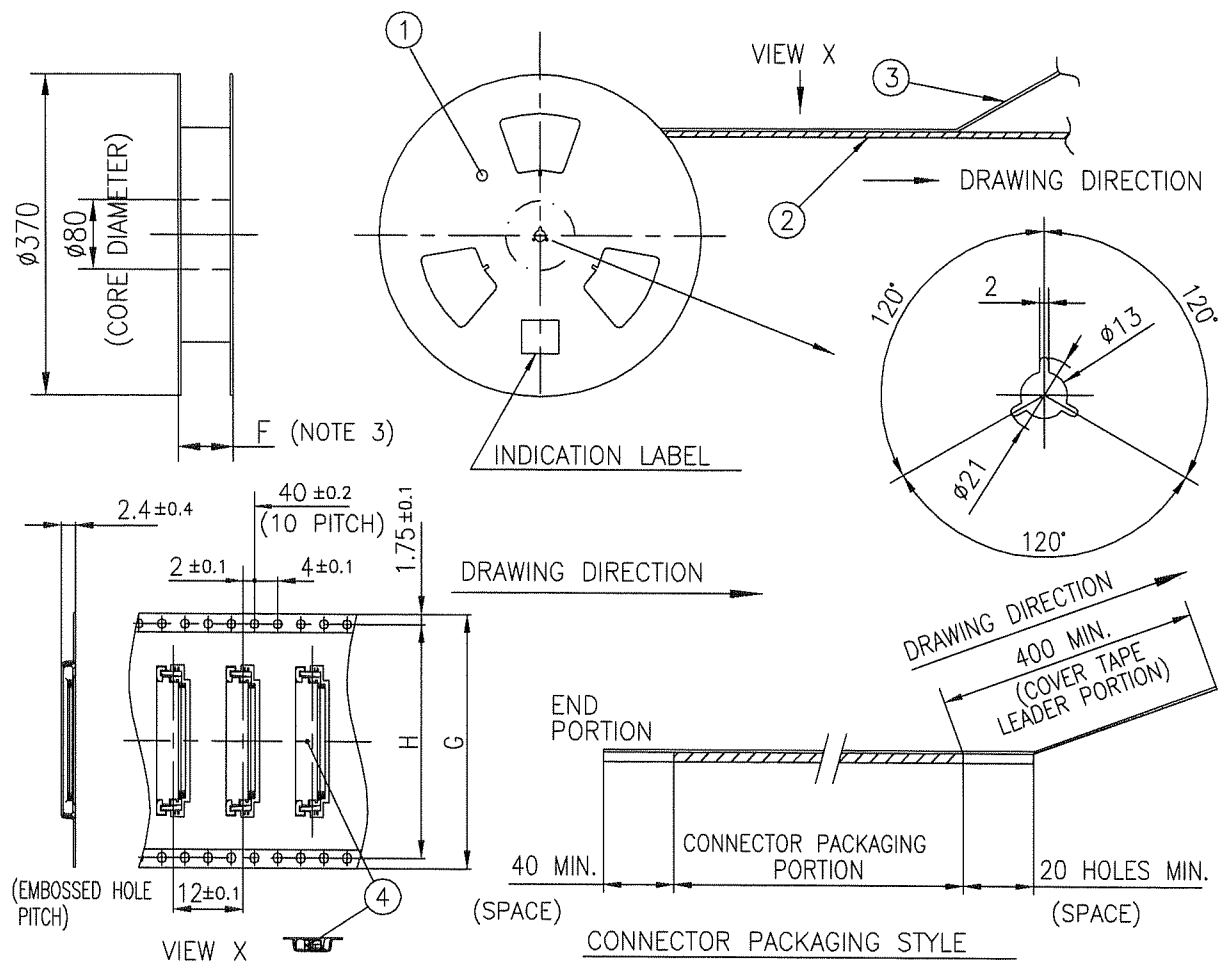
| PT. NO. | PARTS NAME | CAT. NO. | MATERIAL | Q'TY | NOTE |
|---------|-----------------------|------------------|-------------------|-------|----------------------|
| 1 | REEL | _____ | CARDBOARD | 1 | COLOR : WHITE |
| 2 | PLASTIC (EMBOSS) TAPE | _____ | A-PET | _____ | COLOR : TRANSPARENCY |
| 3 | COVER | _____ | POLYESTER | _____ | COLOR : TRANSPARENCY |
| 4 | CONNECTOR | SFV__R-1STA__HLF | SEE ATTACHED DWG. | 3000 | LOWER CONTACT TYPE |

- NOTES
- THIS IS PLASTIC TAPE PACKAGED CONNECTOR USED FOR FPC AND COPES WITH AUTOMATIC MOUNTING (SMT).
 - SEE JIS C 0806 (PACKING OF ELECTRONIC COMPONENTS ON CONTINUOUS TAPES (SURFACE MOUNTING DEVICES)) FOR SHAPE AND DIMENSIONS OF PLASTIC (EMBOSS) TAPE AND REEL.
 - F DIMENSION IS PORTION OF THE CORE.

| | | | | | | | | | |
|-------------|--|--|--|---------------------------------------|--|--|--|--------------|--|
| mat'l. code | | surface 58 / tolerance ISO 1302 / ISO 406 / ISO 1101 | | projection | | product family 58EF | | CODE JP | |
| ltr | | ecn no dr date | | tolerances unless otherwise specified | | title | | dwg no | |
| A | | | | angles linear ±5 | | PLASTIC TAPE PACKAGED 0.5 mm CONTACT SPACING CONNECTOR (Cat. No. : SFV__R-1STAE1HLF) | | sheet 6 of 9 | |
| | | | | ±5' | | mm | | size | |
| | | dr | | 2011-1-20 | | scale X | | 10117077 | |
| | | enr | | 2011-1-20 | | FCI | | A4 | |
| | | chr | | 2011-1-20 | | | | | |
| | | appd | | Jan 24/11 | | | | | |
| sheet index | | revision sheet | | | | type Product Customer Drawing | | Rev. A | |



Copyright FCI.



| PT. NO. | PARTS NAME | CAT. NO. | MATERIAL | Q'TY | NOTE |
|---------|-----------------------|-----------------|-------------------|-------|----------------------|
| 1 | REEL | _____ | CARDBOARD | 1 | COLOR : WHITE |
| 2 | PLASTIC (EMBOSS) TAPE | _____ | A-PET | _____ | COLOR : TRANSPARENCY |
| 3 | COVER | _____ | POLYESTER | _____ | COLOR : TRANSPARENCY |
| 4 | CONNECTOR | SFV__R-2STA_HLF | SEE ATTACHED DWG. | 3000 | UPPER CONTACT TYPE |

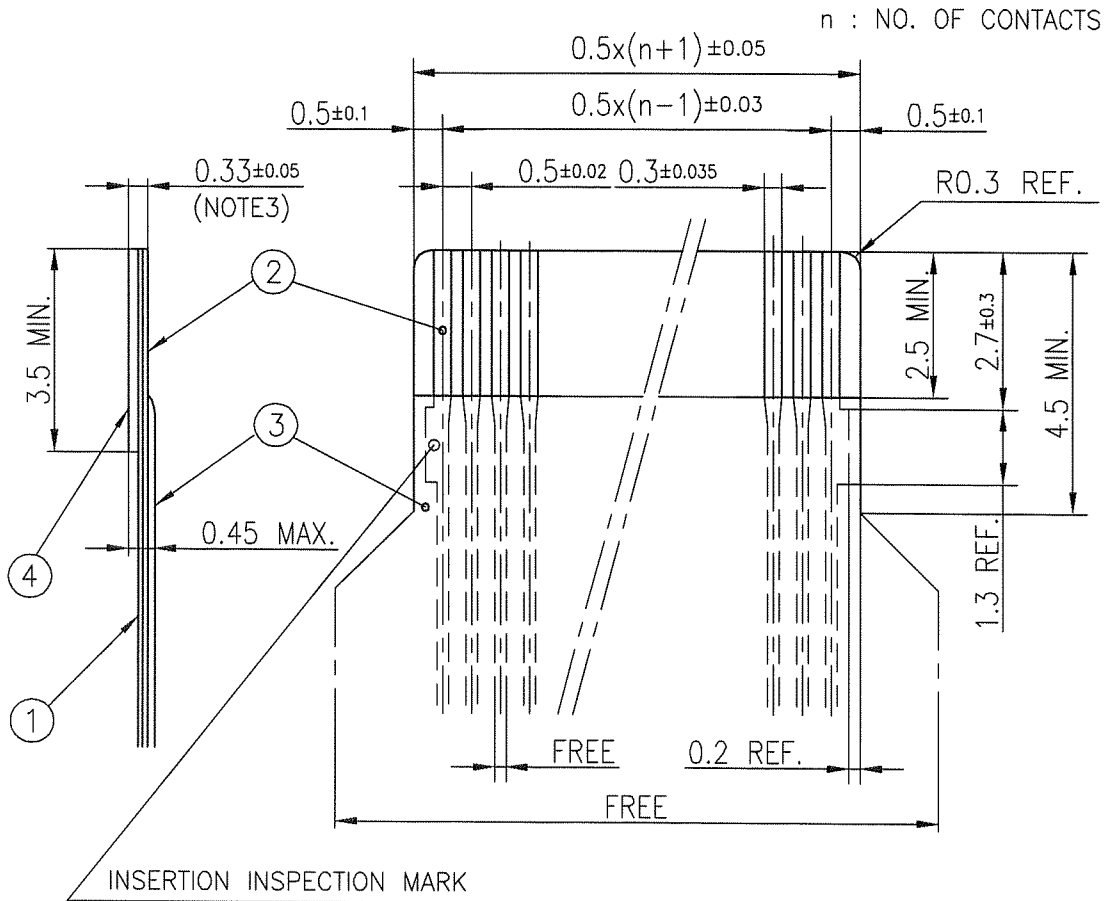
- NOTES
1. THIS IS PLASTIC TAPE PACKAGED CONNECTOR USED FOR FPC AND COPEs WITH AUTOMATIC MOUNTING (SMT).
 2. SEE JIS C 0806 (PACKING OF ELECTRONIC COMPONENTS ON CONTINUOUS TAPES (SURFACE MOUNTING DEVICES)) FOR SHAPE AND DIMENSIONS OF PLASTIC (EMBOSS) TAPE AND REEL.
 3. F DIMENSION IS PORTION OF THE CORE.

| | | | | | | | | | | | |
|-------------|--|--------------------|--|----------------------------|--|------------|--|---------------------------------------|--|----------------------------------|--|
| mat'l. code | | surface ISO 1302 ✓ | | tolerance ISO 406 ISO 1101 | | projection | | product family 58EF | | CODE JP | |
| ltr | | ecn no | | dr | | date | | tolerances unless otherwise specified | | title | |
| A | | | | | | | | ±5 | | PLASTIC TAPE PACKAGED | |
| | | | | angles | | linear | | mm | | 0.5 mm CONTACT SPACING CONNECTOR | |
| | | | | ±5' | | | | scale X | | (Cat. No. : SFV__R-2STAE1HLF) | |
| | | dr | | S. Watanabe | | 2011-1-20 | | FCI | | dwg no | |
| | | enr | | S. Watanabe | | 2011-1-20 | | | | sheet 7 of 9 | |
| | | chr | | Y. Tomoda | | 2011-1-20 | | | | 10117077 | |
| | | appd | | M. Chino | | Jan 24/11 | | | | size A4 | |
| sheet index | | revision sheet | | | | | | type | | Product Customer Drawing | |
| D | | | | | | | | | | Rev. A | |



Copyright FCI.

RECOMMENDED CABLE (FPC)



| PT. NO. | PARTS NAME | MATERIAL | THICKNESS (°m) |
|---------|-----------------|---------------------------------|----------------|
| 1 | BASE FILM | POLYIMIDE OR POLYESTER OR EQUAL | 25 |
| 2 | CONDUCTOR | COPPER FOIL(PLATING : GOLD) | 35 |
| 3 | OVERLAY | POLYIMIDE OR POLYESTER OR EQUAL | — |
| 4 | SUPPORTING TAPE | POLYESTER OR POLYIMIDE OR EQUAL | 188 |

NOTES

1. NO BURR AT EACH PORTION.
2. NO PEELING IN COMMON USE.
3. TOTAL THICKNESS LIMIT OF EACH MATERIAL (INCLUDING ADHESIVE AGENT) IS SPECIFIED.

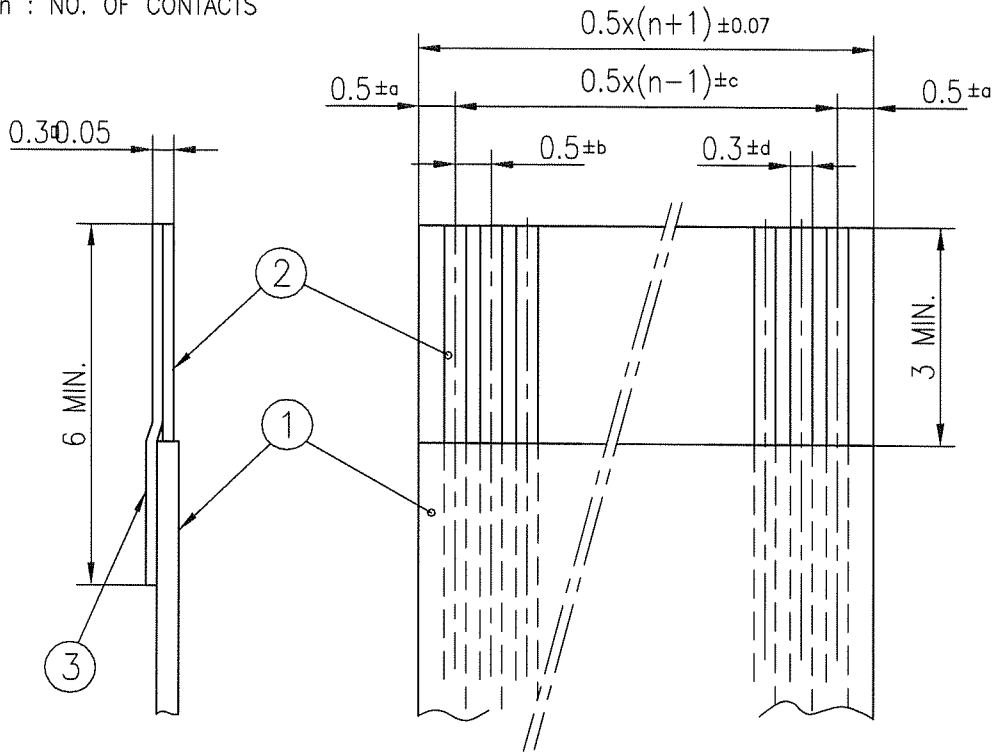
| | | | | | | | | | |
|-------------|--|---|--|---------------|--|---------------------|--|---------------------------------------|--|
| mat'l. code | | surface ISO 1302 <input checked="" type="checkbox"/> tolerance ISO 406 ISO 1101 | | projection | | product family 58EF | | CODE JP | |
| ltr | | ecn no | | dr | | date | | tolerances unless otherwise specified | |
| A | | | | | | | | title | |
| | | | | angles linear | | mm | | RECOMMENDED CABLE | |
| | | | | | | scale X | | (Cat. No. : SFV__R-1/2STA__HLF) | |
| | | dr | | S. Watabe | | 2011-1-20 | | dwg no | |
| | | enr | | S. Watabe | | 2011-1-20 | | sheet 8 of 9 | |
| | | chr | | Y. Yamada | | 2011-1-20 | | 10117077 | |
| | | appd | | M. Iwano | | Jan 24/11 | | size A4 | |
| sheet index | | revision sheet | | | | | | type Product Customer Drawing | |
| | | | | | | | | Rev. A | |



Copyright FCI.

RECOMMENDED CABLE (FFC)

n : NO. OF CONTACTS



| KIND OF FFC (NOTE3) | DIMENSIONAL TOLERANCE | | | |
|---------------------|-----------------------|-------|-------|--------|
| | a | b | c | d |
| 1 | ±0.07 | ±0.04 | ±0.05 | ±0.02 |
| 2 | ±0.1 | ±0.03 | ±0.03 | ±0.025 |

| PT. NO. | PARTS NAME | MATERIAL |
|---------|-----------------|------------------------------------|
| 1 | INSULATOR | FLAME RESISTING POLYESTER OR EQUAL |
| 2 | CONDUCTOR | COPPER FOIL (PLATING : GOLD) |
| 3 | SUPPORTING TAPE | FLAME RESISTING POLYESTER OR EQUAL |

NOTES

1. NO BURR AT EACH PORTION.
2. NO PEELING IN COMMON USE.
3. EITHER KIND1 OR KIND2 OF FFC CAN ACCEPT DIMENSIONAL TOLERANCE a,b,c AND d.

| | | | | | | | | | | | |
|-------------|--|---|--|---|--|----------------------|--|---|--|-------------------|--|
| mat'l. code | | surface ISO 1302 <input checked="" type="checkbox"/> ISO 406 <input type="checkbox"/> ISO 1101 <input type="checkbox"/> | | tolerance <input checked="" type="checkbox"/> ISO 406 <input type="checkbox"/> ISO 1101 | | projection | | product family 58EF | | CODE JP | |
| ltr | | ecn no | | dr | | date | | title | | | |
| A | | | | | | | | RECOMMENDED CABLE (Cat. No. : SFV__R-1/2STA__HLF) | | | |
| | | | | angles | | linear | | scale X | | | |
| | | | | dr | | S. Watabe 2011-1-20 | | dwg no | | sheet 9 of 9 size | |
| | | | | enrg | | S. Watabe 2011-1-20 | | 10117077 | | A4 | |
| | | | | chr | | S. Komatsu 2011-1-20 | | type Product Customer Drawing | | | |
| | | | | appd | | M. Chino Jan 24/11 | | | | | |
| sheet index | | revision sheet | | | | | | | | Rev. A | |



FCIconnect.com

Copyright FCI.



Компания «ЭлектроПласт» предлагает заключение долгосрочных отношений при поставках импортных электронных компонентов на взаимовыгодных условиях!

Наши преимущества:

- Оперативные поставки широкого спектра электронных компонентов отечественного и импортного производства напрямую от производителей и с крупнейших мировых складов;
- Поставка более 17-ти миллионов наименований электронных компонентов;
- Поставка сложных, дефицитных, либо снятых с производства позиций;
- Оперативные сроки поставки под заказ (от 5 рабочих дней);
- Экспресс доставка в любую точку России;
- Техническая поддержка проекта, помощь в подборе аналогов, поставка прототипов;
- Система менеджмента качества сертифицирована по Международному стандарту ISO 9001;
- Лицензия ФСБ на осуществление работ с использованием сведений, составляющих государственную тайну;
- Поставка специализированных компонентов (Xilinx, Altera, Analog Devices, Intersil, Interpoint, Microsemi, Aeroflex, Peregrine, Syfer, Eurofarad, Texas Instrument, Miteq, Cobham, E2V, MA-COM, Hittite, Mini-Circuits, General Dynamics и др.);

Помимо этого, одним из направлений компании «ЭлектроПласт» является направление «Источники питания». Мы предлагаем Вам помощь Конструкторского отдела:

- Подбор оптимального решения, техническое обоснование при выборе компонента;
- Подбор аналогов;
- Консультации по применению компонента;
- Поставка образцов и прототипов;
- Техническая поддержка проекта;
- Защита от снятия компонента с производства.



Как с нами связаться

Телефон: 8 (812) 309 58 32 (многоканальный)

Факс: 8 (812) 320-02-42

Электронная почта: org@eplast1.ru

Адрес: 198099, г. Санкт-Петербург, ул. Калинина, дом 2, корпус 4, литера А.