



MICROCHIP

MCP1630V
Bidirectional 4 Cell
Li-Ion Charger Reference Design
User's Guide

Note the following details of the code protection feature on Microchip devices:

- Microchip products meet the specification contained in their particular Microchip Data Sheet.
- Microchip believes that its family of products is one of the most secure families of its kind on the market today, when used in the intended manner and under normal conditions.
- There are dishonest and possibly illegal methods used to breach the code protection feature. All of these methods, to our knowledge, require using the Microchip products in a manner outside the operating specifications contained in Microchip's Data Sheets. Most likely, the person doing so is engaged in theft of intellectual property.
- Microchip is willing to work with the customer who is concerned about the integrity of their code.
- Neither Microchip nor any other semiconductor manufacturer can guarantee the security of their code. Code protection does not mean that we are guaranteeing the product as "unbreakable."

Code protection is constantly evolving. We at Microchip are committed to continuously improving the code protection features of our products. Attempts to break Microchip's code protection feature may be a violation of the Digital Millennium Copyright Act. If such acts allow unauthorized access to your software or other copyrighted work, you may have a right to sue for relief under that Act.

Information contained in this publication regarding device applications and the like is provided only for your convenience and may be superseded by updates. It is your responsibility to ensure that your application meets with your specifications. MICROCHIP MAKES NO REPRESENTATIONS OR WARRANTIES OF ANY KIND WHETHER EXPRESS OR IMPLIED, WRITTEN OR ORAL, STATUTORY OR OTHERWISE, RELATED TO THE INFORMATION, INCLUDING BUT NOT LIMITED TO ITS CONDITION, QUALITY, PERFORMANCE, MERCHANTABILITY OR FITNESS FOR PURPOSE. Microchip disclaims all liability arising from this information and its use. Use of Microchip devices in life support and/or safety applications is entirely at the buyer's risk, and the buyer agrees to defend, indemnify and hold harmless Microchip from any and all damages, claims, suits, or expenses resulting from such use. No licenses are conveyed, implicitly or otherwise, under any Microchip intellectual property rights.

Trademarks

The Microchip name and logo, the Microchip logo, Accuron, dsPIC, KEELOQ, microID, MPLAB, PIC, PICmicro, PICSTART, PRO MATE, PowerSmart, rfPIC and SmartShunt are registered trademarks of Microchip Technology Incorporated in the U.S.A. and other countries.


AmpLab, FilterLab, Migratable Memory, MXDEV, MXLAB, SEEVAL, SmartSensor and The Embedded Control Solutions Company are registered trademarks of Microchip Technology Incorporated in the U.S.A.

Analog-for-the-Digital Age, Application Maestro, CodeGuard, dsPICDEM, dsPICDEM.net, dsPICworks, ECAN, ECONOMONITOR, FanSense, FlexROM, fuzzyLAB, In-Circuit Serial Programming, ICSP, ICEPIC, Linear Active Thermistor, Mindi, MiWi, MPASM, MPLIB, MPLINK, PICKIT, PICDEM, PICDEM.net, PICLAB, PICtail, PowerCal, PowerInfo, PowerMate, PowerTool, REAL ICE, rFLAB, rfPICDEM, Select Mode, Smart Serial, SmartTel, Total Endurance, UNI/O, WiperLock and ZENA are trademarks of Microchip Technology Incorporated in the U.S.A. and other countries.

SQTP is a service mark of Microchip Technology Incorporated in the U.S.A.

All other trademarks mentioned herein are property of their respective companies.

© 2006, Microchip Technology Incorporated, Printed in the U.S.A., All Rights Reserved.

 Printed on recycled paper.

QUALITY MANAGEMENT SYSTEM
CERTIFIED BY DNV
== ISO/TS 16949:2002 ==

Microchip received ISO/TS-16949:2002 certification for its worldwide headquarters, design and wafer fabrication facilities in Chandler and Tempe, Arizona, Gresham, Oregon and Mountain View, California. The Company's quality system processes and procedures are for its PIC® 8-bit MCUs, KEELOQ® code hopping devices, Serial EEPROMs, microperipherals, nonvolatile memory and analog products. In addition, Microchip's quality system for the design and manufacture of development systems is ISO 9001:2000 certified.



MCP1630V BIDIRECTIONAL 4 CELL LI-ION CHARGER REFERENCE DESIGN USER'S GUIDE

Table of Contents

Preface	1
Introduction.....	1
Document Layout	1
Conventions Used in this Guide	2
Recommended Reading.....	2
The Microchip Web Site	3
Customer Support	3
Document Revision History	3
Chapter 1. Product Overview	5
1.1 Introduction	5
1.2 What is the MCP1630V Bidirectional 4 Cell Li-Ion Charger Reference Design?	6
1.3 What the MCP1630V Bidirectional 4 Cell Li-Ion Charger Reference Design kit includes	6
Chapter 2. Installation and Operation	7
2.4 Introduction	7
2.5 Features	7
2.6 Getting Started	8
Appendix A. Schematics and Board Layouts	11
A.1 Introduction	11
A.2 Schematic - Sheet 1	12
A.3 Schematic - Sheet 2	13
A.4 Board – Top Silk Layer	14
A.5 Board – Top Metal Layer	15
A.6 Board – Mid Layer1	16
A.7 Board – Mid Layer2	17
A.8 Board – Metal Layer	18
A.9 Board – Bottom Silk Layer	19
Appendix B. Bill Of Materials (BOM)	21
Appendix C. Firmware	23
C.1 Device Firmware - Flowchart	23
C.2 Device Firmware - Flowchart (Continued)	24
Worldwide Sales and Service	26

NOTES:



MCP1630V BIDIRECTIONAL 4 CELL LI-ION CHARGER REFERENCE DESIGN USER'S GUIDE

Preface

NOTICE TO CUSTOMERS

All documentation becomes dated, and this manual is no exception. Microchip tools and documentation are constantly evolving to meet customer needs, so some actual dialogs and/or tool descriptions may differ from those in this document. Please refer to our web site (www.microchip.com) to obtain the latest documentation available.

Documents are identified with a "DS" number. This number is located on the bottom of each page, in front of the page number. The numbering convention for the DS number is "DSXXXXA", where "XXXX" is the document number and "A" is the revision level of the document.

For the most up-to-date information on development tools, see the MPLAB® IDE on-line help. Select the Help menu, and then Topics to open a list of available on-line help files.

INTRODUCTION

This chapter contains general information that will be useful to know before using the MCP1630V Bidirectional 4 Cell Li-Ion Charger Reference Design. Items discussed in this chapter include:

- Document Layout
- Conventions Used in this Guide
- Recommended Reading
- The Microchip Web Site
- Customer Support
- Document Revision History

DOCUMENT LAYOUT

This document describes how to use the MCP1630V Bidirectional 4 Cell Li-Ion Charger Reference Design as a development tool to emulate and debug firmware on a target board. The manual layout is as follows:

- **Chapter 1. "Product Overview"** – Important information about the MCP1630V Bidirectional 4 Cell Li-Ion Charger Reference Design.
- **Chapter 2. "Installation and Operation"** – Includes instructions on how to get started with this user's guide and a description of the user's guide.
- **Appendix A. "Schematics and Board Layouts"** – Shows the schematic and layout diagrams for the MCP1630V Bidirectional 4 Cell Li-Ion Charger Reference Design.
- **Appendix B. "Bill Of Materials (BOM)"** – Lists the parts used to build the MCP1630V Bidirectional 4 Cell Li-Ion Charger Reference Design.
- **Appendix C. "Firmware"** – Provides information about the application firmware and where the source code can be found.

CONVENTIONS USED IN THIS GUIDE

This manual uses the following documentation conventions:

DOCUMENTATION CONVENTIONS

Description	Represents	Examples
Arial font:		
Italic characters	Referenced books	<i>MPLAB[®] IDE User's Guide</i>
	Emphasized text	...is the <i>only</i> compiler...
Initial caps	A window	the Output window
	A dialog	the Settings dialog
	A menu selection	select Enable Programmer
Quotes	A field name in a window or dialog	"Save project before build"
Underlined, italic text with right angle bracket	A menu path	<u><i>File>Save</i></u>
Bold characters	A dialog button	Click OK
	A tab	Click the Power tab
N'Rnnnn	A number in verilog format, where N is the total number of digits, R is the radix and n is a digit.	4'b0010, 2'hF1
Text in angle brackets < >	A key on the keyboard	Press <Enter>, <F1>
Courier New font:		
Plain Courier New	Sample source code	#define START
	Filenames	autoexec.bat
	File paths	c:\mcc18\h
	Keywords	_asm, _endasm, static
	Command-line options	-Opa+, -Opa-
	Bit values	0, 1
	Constants	0xFF, 'A'
Italic Courier New	A variable argument	<i>file.o</i> , where <i>file</i> can be any valid filename
Square brackets []	Optional arguments	mcc18 [options] <i>file</i> [options]

RECOMMENDED READING

This user's guide describes how to use MCP1630V Bidirectional 4 Cell Li-Ion Charger Reference Design. The following Microchip documents are available and recommended as supplemental reference resources.

MCP1630/MCP1630V Data Sheet, "High-Speed, Microcontroller-Adaptable, Pulse Width Modulator" (DS21896)

This data sheet provides detailed information regarding the MCP1630/MCP1630V, product family.

PIC16F88 Data Sheet, "20-Pin Flash-Based, 8-Bit CMOS Microcontrollers with Nano Watt Technology" (DS30487)

This data sheet provides detailed information regarding the PIC16F88 product family.

APEC Conference Paper, "Bi-Directional Power System for Laptop Computers", 2005

This paper provides detailed information about powering laptop computers using 4 series cell Li-Ion batteries with a bidirectional laptop computer.

THE MICROCHIP WEB SITE

Microchip provides online support via our web site at www.microchip.com. This web site is used as a means to make files and information easily available to customers. Accessible by using your favorite Internet browser, the web site contains the following information:

- **Product Support** – Data sheets and errata, application notes and sample programs, design resources, user's guides and hardware support documents, latest software releases and archived software
- **General Technical Support** – Frequently Asked Questions (FAQs), technical support requests, online discussion groups, Microchip consultant program member listing
- **Business of Microchip** – Product selector and ordering guides, latest Microchip press releases, listing of seminars and events, listings of Microchip sales offices, distributors and factory representatives

CUSTOMER SUPPORT

Users of Microchip products can receive assistance through several channels:

- Distributor or Representative
- Local Sales Office
- Field Application Engineer (FAE)
- Technical Support

Customers should contact their distributor, representative or field application engineer (FAE) for support. Local sales offices are also available to help customers. A listing of sales offices and locations is included in the back of this document.

Technical support is available through the web site at: <http://support.microchip.com>

DOCUMENT REVISION HISTORY

Revision A (November 2006)

- Initial Release of this Document.

NOTES:

Chapter 1. Product Overview

1.1 INTRODUCTION

As high power portable applications continue to gain in popularity, more innovative techniques are needed to charge the batteries while also providing a low regulated voltage to the system's high end digital electronics. For example, laptop computers, portable test equipment, portable printers, etc., all require more power than a single or two cell Li-Ion battery pack can efficiently store. As a result, three or four series Li-Ion cell packs are used to store the necessary that power these high end applications. The result is a high dc voltage used to store the energy requiring a difficult high voltage to low voltage dc-dc conversion. The MCP1630V Bidirectional 4 Cell Li-Ion Charger Reference Design can be used to evaluate a design that boosts a low source voltage to charge four Li-Ion series cells while providing energy to the system simultaneously. When the source is removed, the same power train used to charge the battery pack provides a low regulated voltage to operate the system.

This chapter covers the following topics.

- What is the MCP1630V Bidirectional 4 Cell Li-Ion Charger Reference Design?
- What the MCP1630V Bidirectional 4 Cell Li-Ion Charger Reference Design Kit includes.

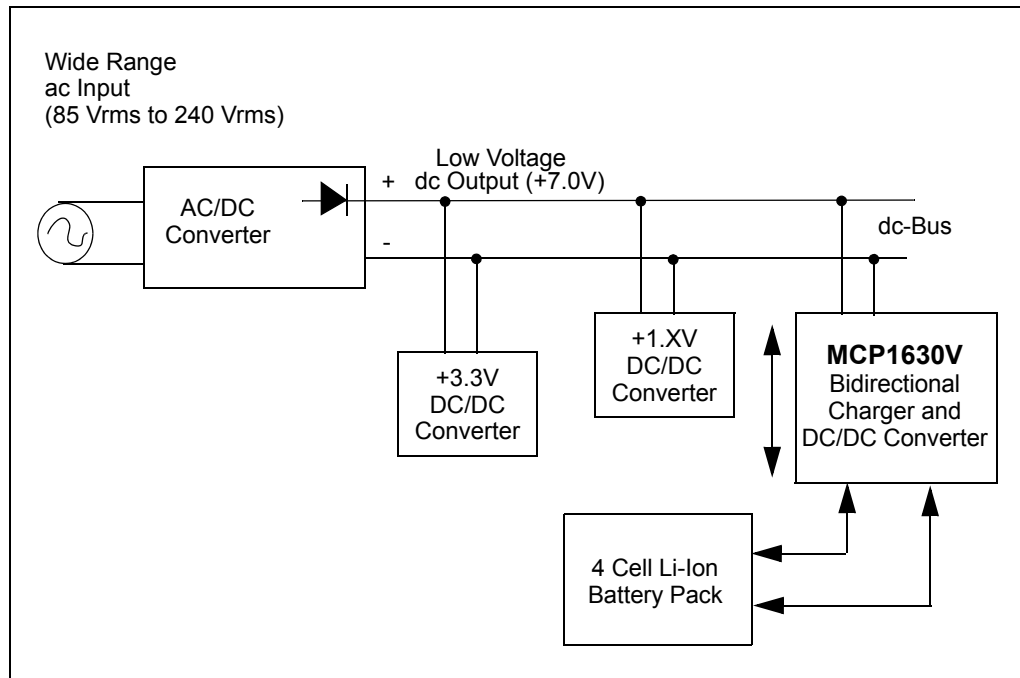


FIGURE 1-1: MCP1630V Bidirectional 4 Cell Li-Ion Charger Reference Design shown in Laptop Computer system level block diagram.

1.2 WHAT IS THE MCP1630V BIDIRECTIONAL 4 CELL LI-ION CHARGER REFERENCE DESIGN?

The MCP1630V Bidirectional 4 Cell Li-Ion Charger Reference Design demonstrates the use of a bidirectional buck-boost converter used to charge multiple series cell Li-Ion batteries with the presence of an input source (boost) and provide a regulated output voltage when the input source is removed (buck). The board also serves as a platform to evaluate the MCP1630V device.

The MCP1630V Bidirectional 4 Cell Li-Ion Charger Reference Design inputs were developed to be easily attached to the I/O of a PIC[®] Microcontroller. The MCU supplies the oscillator (OSC_IN) and reference voltage (V_{REF}) to the MCP1630V creating a flexible and adaptable power system. The power system switching frequency and maximum duty cycle are set using the hardware PWM of the MCU. The reference input to the high speed analog PWM can be external, a D/A Converter (DAC) output or as simple as an I/O output from the MCU. This enables the power system to adapt to external signals and variables in order to optimize performance and facilitate calibration.

This board utilizes Microchip's MCP1630V (high-speed PIC MCU PWM MSOP8) with the PIC16F88 (Flash MCU) in a four cell Li-Ion charger combined with a synchronous buck regulator. Under normal operation, the input supply can range between 6.5V and 7.0V. The converter is capable of charging four Li-Ion cells connected in series when the 6.5V input is present and regulating the bulk input voltage to 6.0V when the input source voltage is removed by stepping, (buck), down the battery pack voltage.

1.3 WHAT THE MCP1630V BIDIRECTIONAL 4 CELL LI-ION CHARGER REFERENCE DESIGN KIT INCLUDES

This MCP1630V Bidirectional 4 Cell Li-Ion Charger Reference Design kit includes:

- MCP1630V Bidirectional 4 Cell Li-Ion Charger Reference Design
- Analog and Interface Products Demonstration Boards CD-ROM (DS21912)
 - MCP1630V Bidirectional 4 Cell Li-Ion Charger Reference Design User's Guide (DS51641)



MCP1630V BIDIRECTIONAL 4 CELL LI-ION CHARGER REFERENCE DESIGN USER'S GUIDE

Chapter 2. Installation and Operation

2.4 INTRODUCTION

The MCP1630V Bidirectional 4 Cell Li-Ion Charger Reference Design demonstrates Microchip's high speed pulse width modulator (PWM) used in a four cell Li-Ion battery charger combined power supply application. When used in conjunction with a microcontroller, the MCP1630V will control the power system duty cycle to provide regulated output voltage or current. The PIC16F88 microcontroller oscillator output is used to provide pulses at switching frequency of 500 kHz. The MCP1630V generates duty cycle based on various external inputs. External signals include the input oscillator pulses from PIC16F88, the reference voltage and the feed back voltage. The output signal is a square wave pulse provided to the synchronous gate drive input. The synchronous gate driver is used to turn on and off the upper buck MOSFET and lower synchronous MOSFET.

The PIC16F88 microcontroller is programmable, allowing the user to modify or develop their own firmware routines to further evaluate the MCP1630V in this application.

2.5 FEATURES

The MCP1630V Bidirectional 4 Cell Li-Ion Charger Reference Design has the following features:

- Four Cell Li-Ion Battery Charger, operates stand alone. (Additional firmware added allows the charger to communicate with smart battery packs)
- Charges four cell Li-Ion battery pack from 6.5V to 7.0V Input (complete precondition, constant current and constant voltage charge algorithm in firmware)
- Regulates input dc bus voltage, (steps battery pack voltage down), to 6.0V when input source is removed (providing uninterrupted power source for system)
- ON/OFF button used to enable and disable system, low I_Q drain on the battery when disabled ($< 10 \mu A$)
- Output over-voltage protection in the event of open battery connections
- High efficiency over entire operating input voltage range (94% typical)
- PIC16F88 is used to generate ref Voltage and Oscillator signal at 500 kHz frequency at maximum duty cycle
- Proprietary features can be added by modifying the firmware contained in the PIC16F88
- Factory programmed source code is available

2.6 GETTING STARTED

The MCP1630V Bidirectional 4 Cell Li-Ion Charger Reference Design is fully assembled and tested for charging a four series cell Li-Ion battery pack (Battery Pack should have internal overvoltage, overcurrent and overtemperature protection). The board requires the use of an external input voltage source (+7.0V) for charging.

2.6.1 Power Input and Output Connection

2.6.1.1 POWERING THE MCP1630V BIDIRECTIONAL 4 CELL LI-ION CHARGER REFERENCE DESIGN

1. Connect the positive side of the +6.5V to +7.0V input to J2 Pin 2, connect the negative side (or ground) to Pin 1 of J2. This source voltage should not exceed 7.0 and be rated for 8A minimum supply current.
2. Connect the positive side of the Four cell Li-Ion battery pack voltage to J1 Pin 1, connect the battery pack return to the negative side of J1 Pin 2.

Note: Both supplies should have a separate isolated return (ground), there is a current sense resistor between the +7.0V (V_{BULK}) and +14V (V_{BATT}) supply returns. If the returns are connected, the charge current can not be controlled.

3. Once the SW1 push button is pressed, the MCP1630V Bidirectional 4 Cell Li-Ion Charger Reference Design is powered. When powered, a charge cycle will start automatically if the 7.0V is connected and all preconditions are meet, (see **Appendix C. "Firmware"**).
4. LED D3 will be illuminated when the board is running, (charging or bucking).
5. LED D5 will flash only when a charge cycle is in progress.
6. Again, a subsequent pressing of the SW1 push button during normal operation of the MCP1630V Bidirectional 4 Cell Li-Ion Charger Reference Design will power-off the converter.

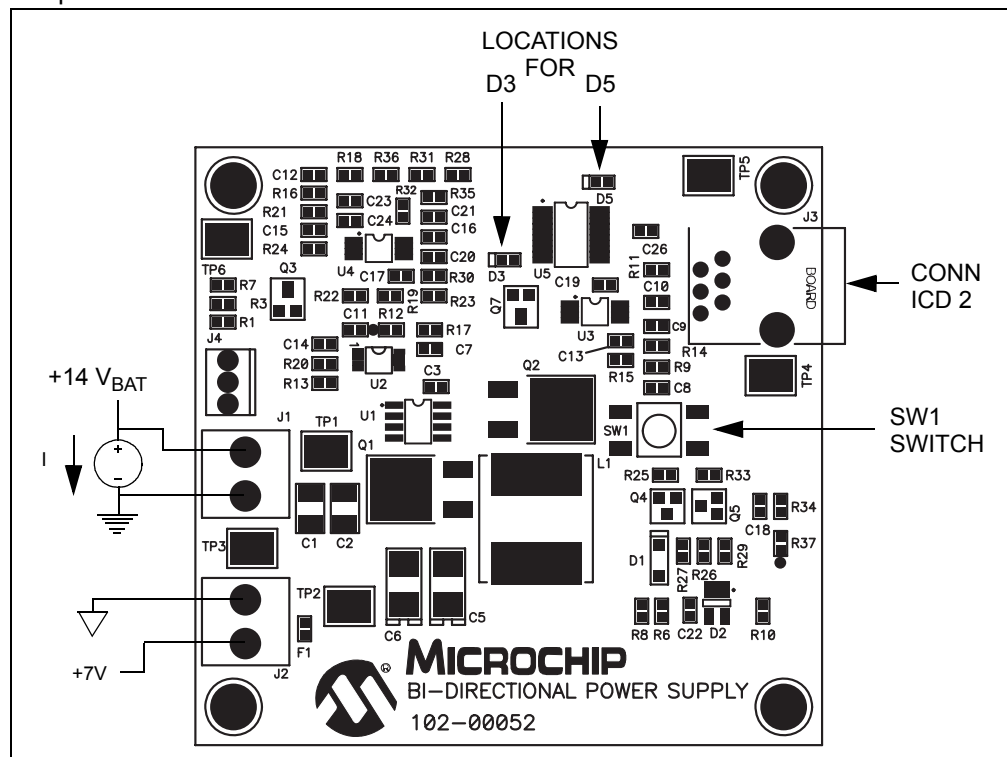


FIGURE 2-2: Board Top Assembly and Connections

2.6.1.2 APPLYING BATTERY TO MCP1630V BIDIRECTIONAL 4 CELL LI-ION CHARGER REFERENCE DESIGN

A four cell battery pack (with internal protection) is connected to the J1 connector before applying input power and pressing SW1 to start the charge cycle. Once the battery pack is connected, SW1 can be pressed to start the synchronous buck converter (assuming there is no 7.0V input applied to J2). With the battery pack connected, the source for J2 can be “hot” plugged in and out, a voltage will always be present on J2 until SW1 is pressed shutting off the converter.

2.6.1.3 ALTERNATIVE BATTERY PACK SIMULATOR

As an alternative to the four cell Li-Ion battery pack, a battery pack simulation circuit can be used, (Figure 2-3). This simulation circuit consists of an adjustable metal wound power load resistor (10 Ω , 100W), Aluminum Electrolytic Capacitor (3,300 μ F 25V) and Schottky Diode (10V, 30V). For evaluating the bidirectional converter design, the battery simulator circuit is recommended. When using the battery pack simulator, the operating point for charging and discharging can be easily be adjusted using the V_{BATT} power supply and load resistor value.

2.6.1.4 LED STATUS INDICATION

Two LED's are connected to the I/O of the PIC16F88 to provide status of the charger. LED D3 provides indication that the converter is running while LED D5 flashing provides indication that the converter is charging. With a 6.5V to 7.0V source applied to J2 while the converter is running, a charge cycle is initiated. Once the charge cycle is complete, the charger will continue to operate providing 0 mA of current to the battery. If the source is removed from J2, the converter will regulate the V_{BULK} voltage to 6.0V with a load up to 6A.

Evaluating the Application

The best way to evaluate the MCP1630V Bidirectional 4 Cell Li-Ion Charger Reference Design is to operate the bidirectional power system over a wide range using the battery pack simulator. The simulator consists of a 10 Ω power resistor, diode and variable voltage source. When configured as shown in Figure 2-3, the circuit will simulate a battery. The load resistor is used to sink current from the charger while a large capacitor is used to simulate the battery voltage (V_{SIM}). By adjusting the V_{SIM} voltage, different operating points in the charge cycle can be evaluated.

Once evaluated using the battery pack simulator, the bi-directional reference design can be used to run charge and discharge cycles using a four cell Li-ion battery pack. If using an actual Li-ion battery pack, it must have the proper protection features including, (overvoltage, overcurrent, overtemperature, etc.).

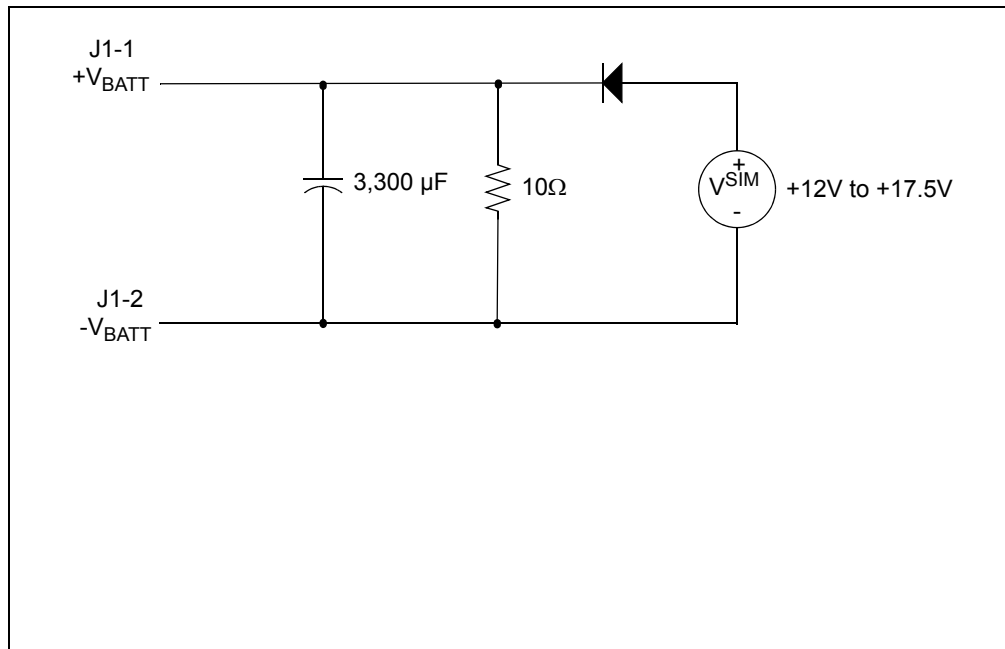


FIGURE 2-3: Battery Simulator Circuit.

Firmware

The PIC16F88 comes pre programmed with firmware to operate the system as described above. The file listing and firmware flow diagram are shown in **Appendix C. "Firmware"**.

Programming

Header J4 is provided for In-Circuit Serial Programming™ (ICSP™). This is an optional feature since the demo board comes preprogrammed with firmware to operate the system. The PIC16F88 can be reprogrammed with the Baseline Flash Microcontroller Programmer (BFMP).



MCP1630V BIDIRECTIONAL 4 CELL LI-ION CHARGER REFERENCE DESIGN USER'S GUIDE

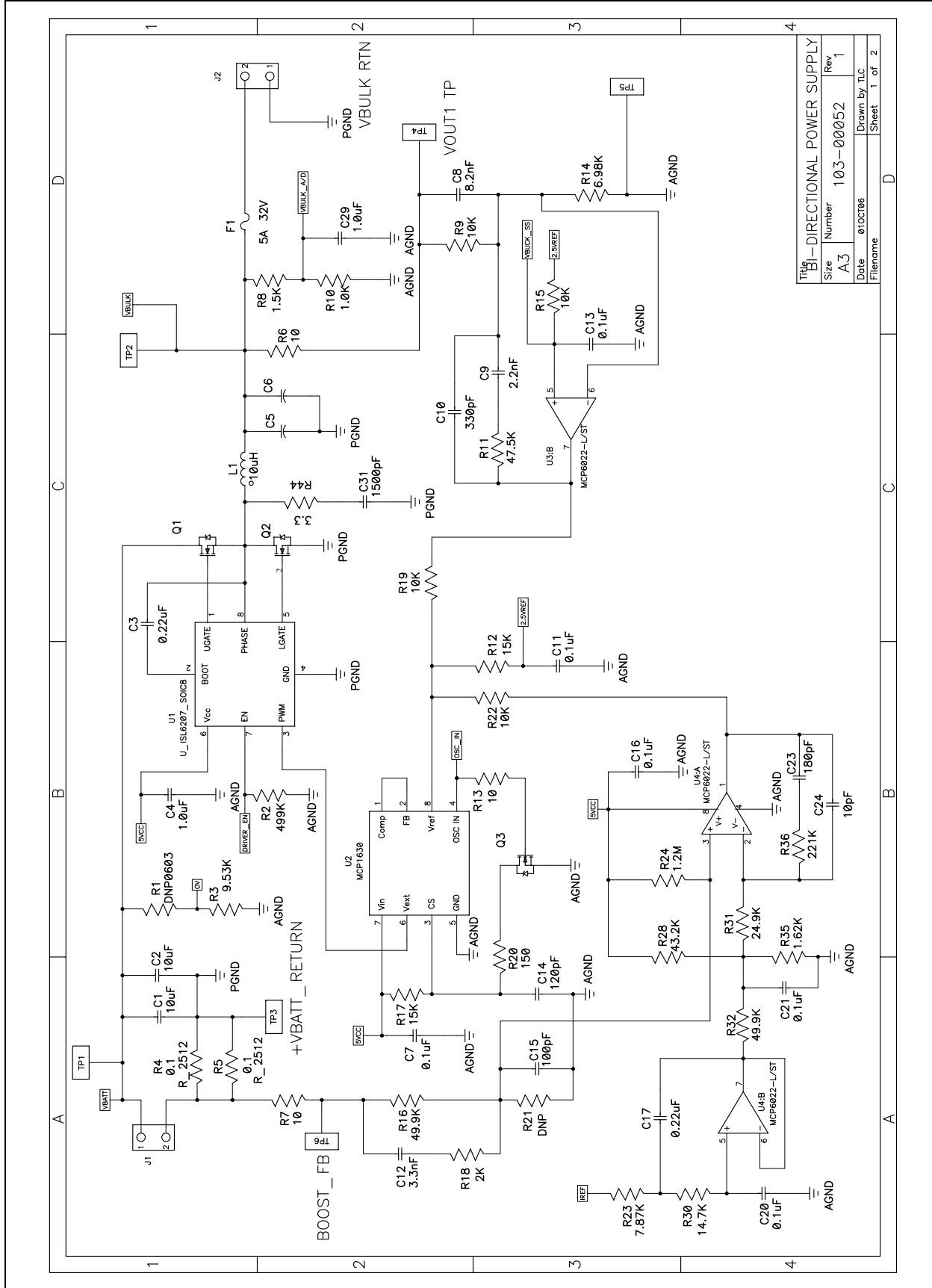
Appendix A. Schematics and Board Layouts

A.1 INTRODUCTION

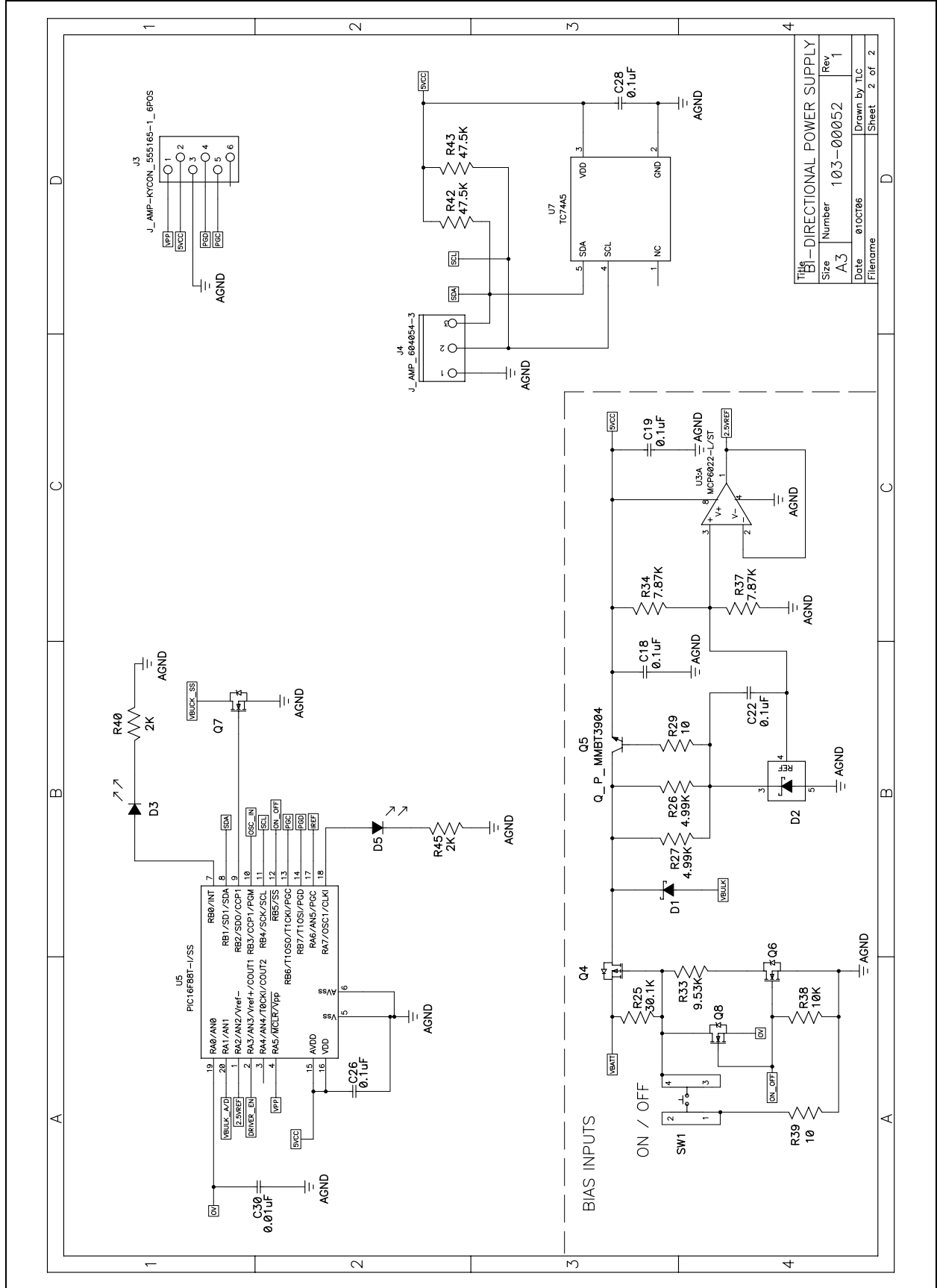
This appendix contains the following schematics and layouts for the MCP1630V Bidirectional 4 Cell Li-Ion Charger Reference Design:

- Board – Schematic Sheet 1
- Board – Schematic Sheet 2
- Board – Top Silk Layer
- Board – Top Metal Layer
- Board – Internal MidLayer 1
- Board – Internal MidLayer 2
- Board – Metal Layer
- Board – Bottom Silk Layer

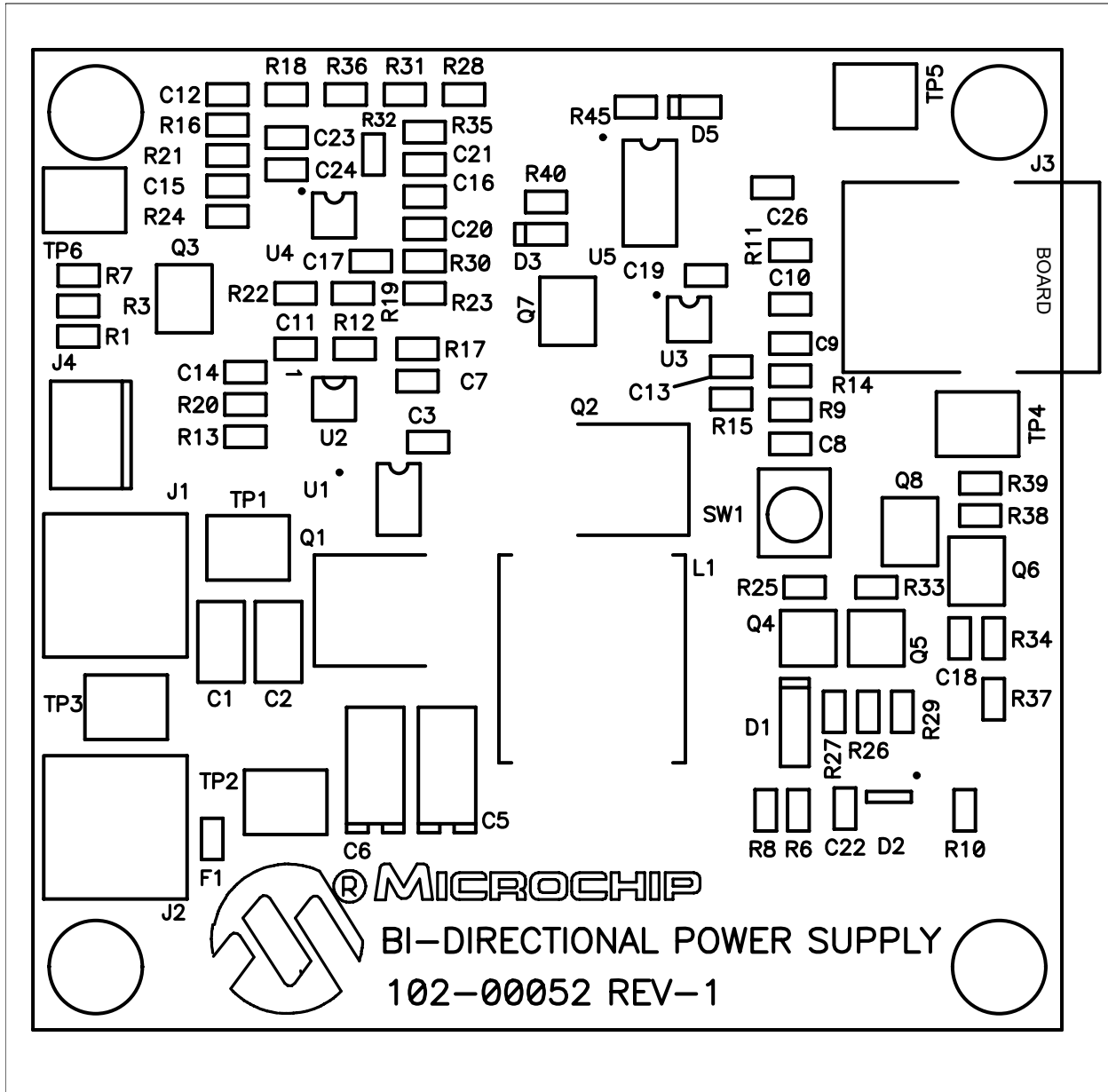
A.2 SCHEMATIC - SHEET 1



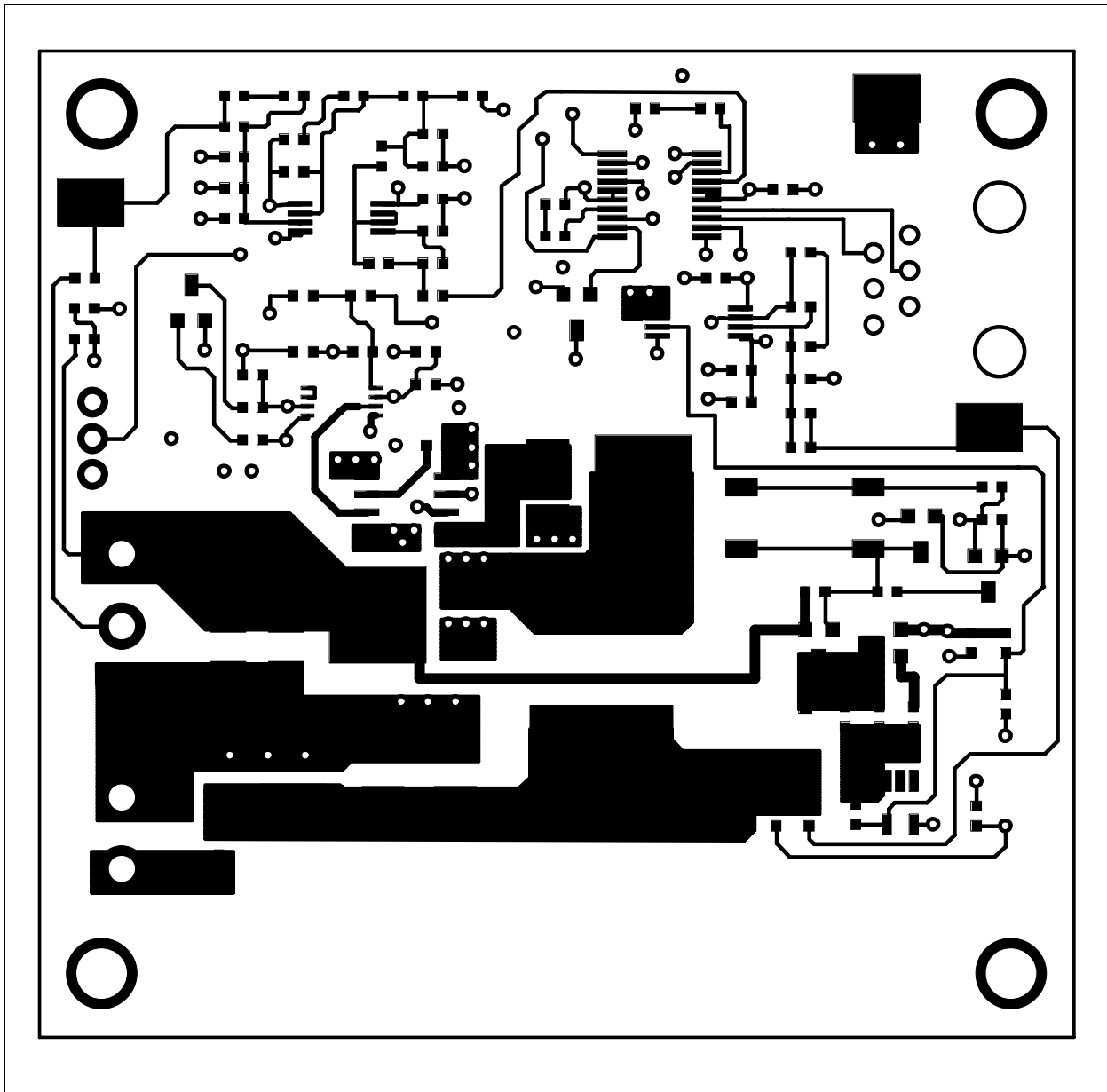
A.3 SCHEMATIC - SHEET 2



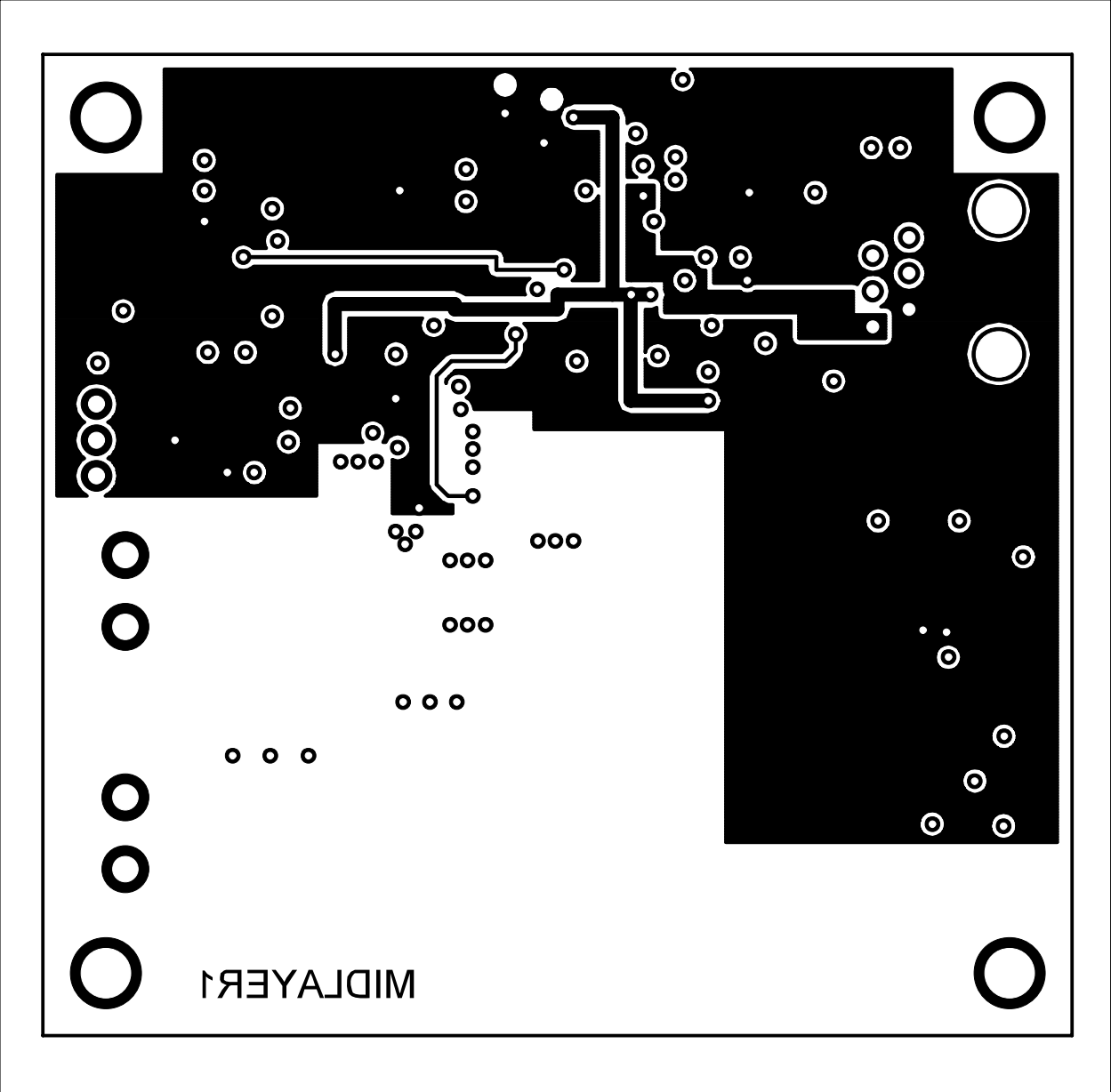
A.4 BOARD – TOP SILK LAYER



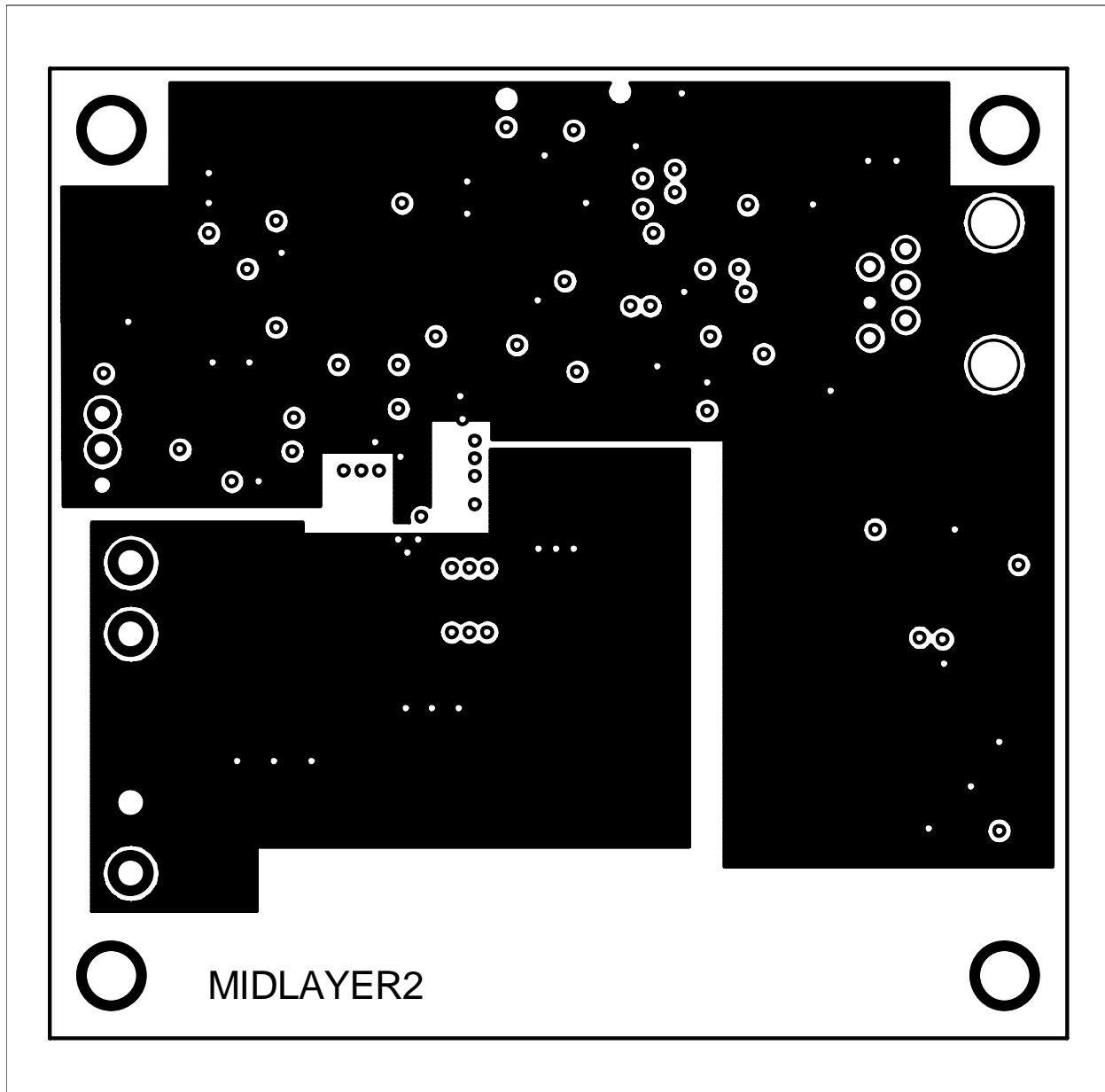
A.5 BOARD – TOP METAL LAYER



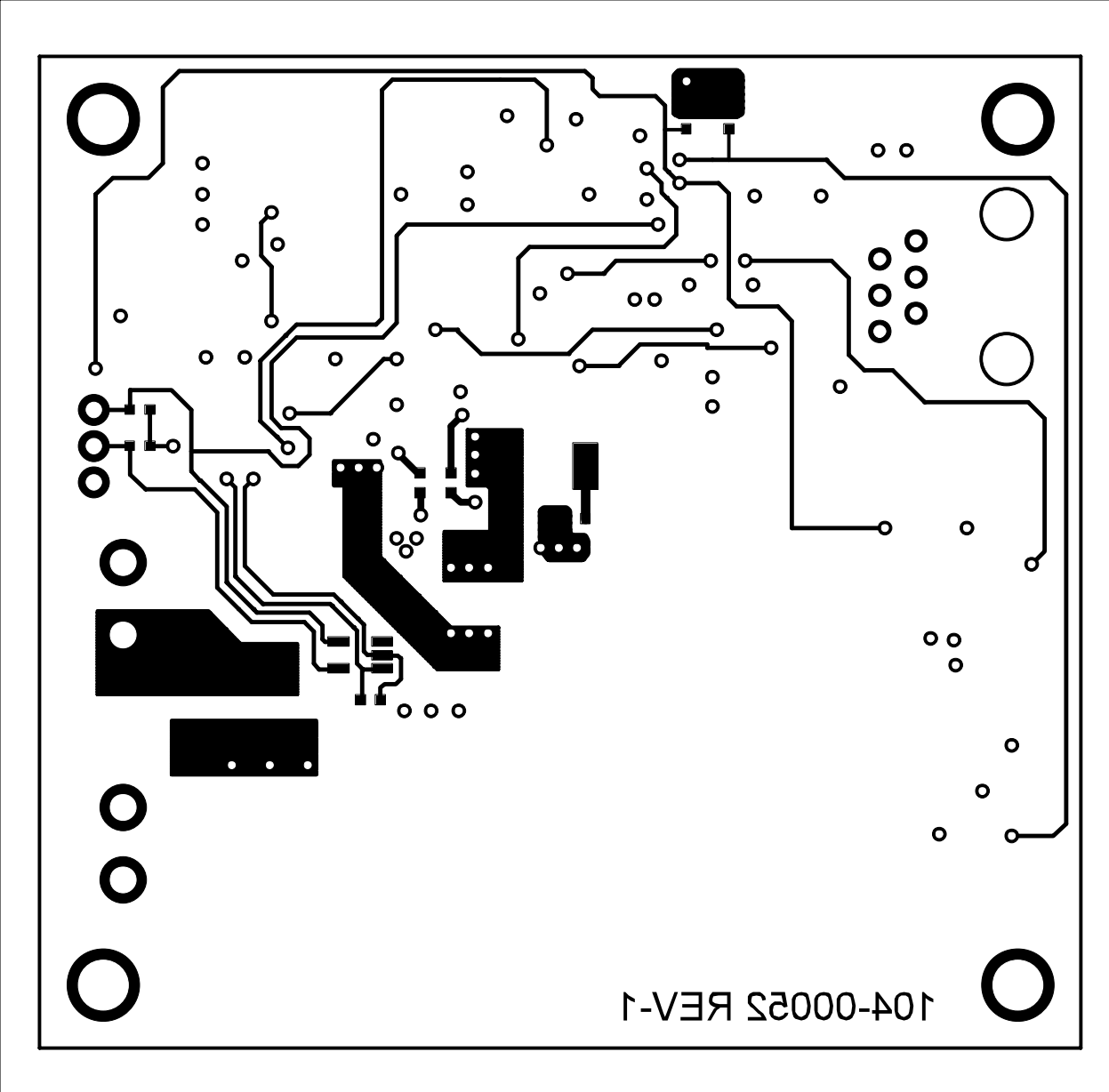
A.6 BOARD – MID LAYER1



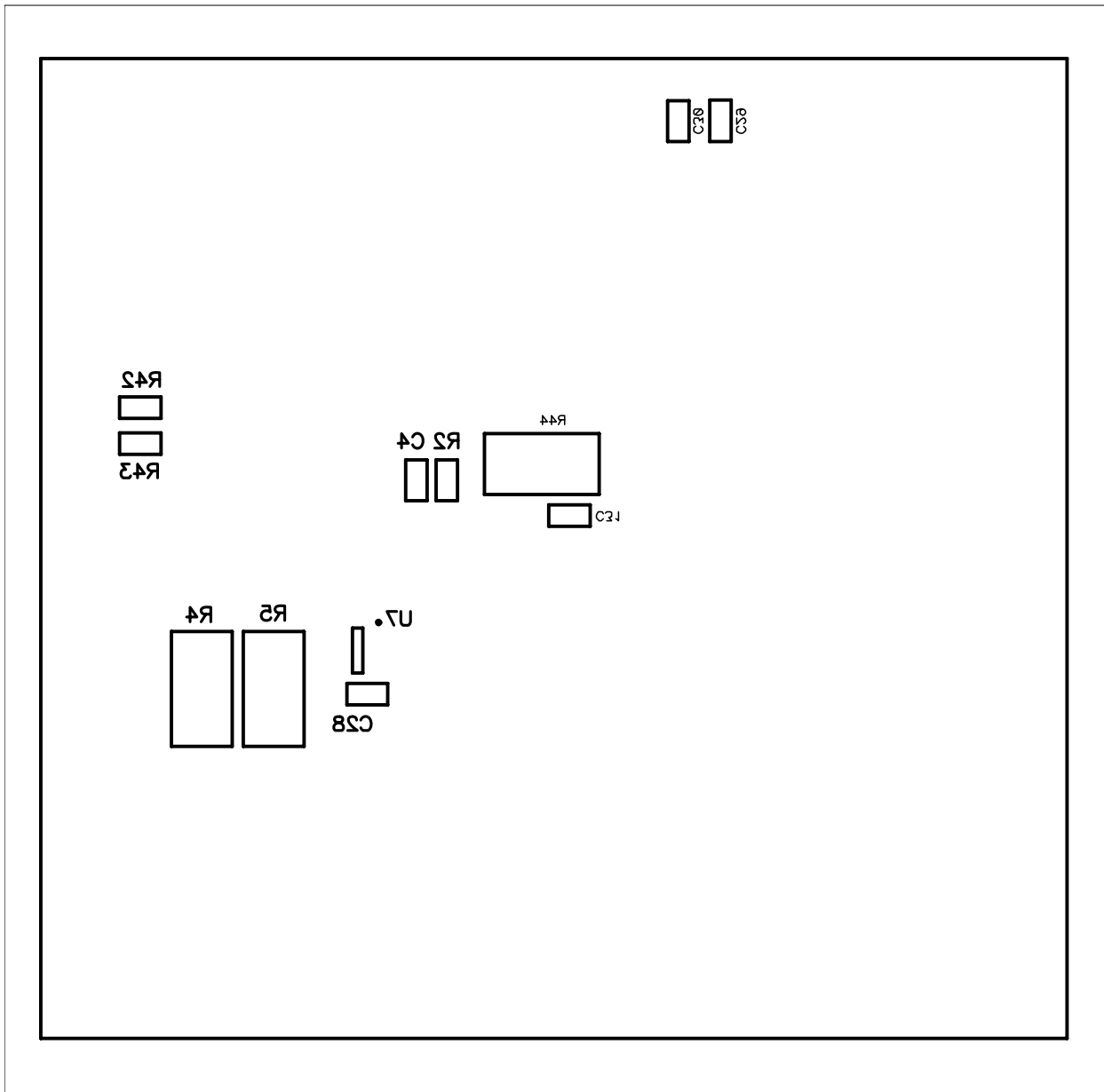
A.7 BOARD – MID LAYER2



A.8 BOARD – METAL LAYER



A.9 BOARD – BOTTOM SILK LAYER



NOTES:



MCP1630V BIDIRECTIONAL 4 CELL LI-ION CHARGER REFERENCE DESIGN USER'S GUIDE

Appendix B. Bill Of Materials (BOM)

TABLE B-1: BILL OF MATERIALS (BOM)

QTY	Reference Designator	Description	Manufacturer	Part Number
2	C1, C2	CAP CER 10UF 25V X5R 1210	Taiyo Yuden®	TMK325BJ106MN-T
2	C3, C17	CAP CERM.22UF 10% 10V X7R 0603	AVX Corporation	0603ZC224KAT2A
2	C4, C29	CAP CERAMIC 1.0UF 10V X5R 0603	Kemet® Electronics Corp	C0603C105K8PACTU
2	C5, C6	CAP TANT 100UF 10V 20% POLY SMD	EPCOS Inc.	B76010V1079M055
12	C7, C11, C13, C16, C18, C19, C20, C21, C22, C26, C28	CAP .10UF 10V CERAMIC X7R 0603	Kemet Electronics Corp	C0603C104K8RACTU
1	C8	CAP CERM 8200PF 10% 50V X7R 0603	AVX Corporation	06035C822KAT2A
1	C9	CAP CER 2200PF 50V C0G 5% 0603	TDK Corporation	C1608C0G1H222J
1	C10	CAP CERAMIC 330PF 50V NP0 0603	Kemet Electronics Corp	C0603C331J5GACT
1	C12	CAP 3300PF 50V CERAMIC X7R 0603	Kemet Electronics Corp	C0603C332K5RACTU
2	C14	CAP CERAMIC 120PF 50V NP0 0603	Kemet Electronics Corp	C0603C121J5GACTU
1	C15	CAP CERAMIC 100PF 50V NP0 0603	Kemet Electronics Corp	C0603C101J5GACTU
1	C23	CAP CERAMIC 180PF 50V NP0 0603	Kemet Electronics Corp	C0603C181J5GACTU
1	C24	CAP CERAMIC 10PF 50V NP0 0603	Kemet Electronics Corp	C0603C100J5GACTU
1	C30	CAP 10000PF 50V CERAMIC X7R 0603	Kemet Electronics Corp	C0603C103K5RACTU
1	C31	CAP 1500PF 50V CERAMIC X7R 0603	Kemet Electronics Corp	C0603C152K5RACTU
2	D1	DIODE SCHOTTKY 30V 200MW SOD123	Diodes Inc.	BAT42W-7-F
1	D2	IC ADJ SHUNT REGULATOR SOT-23-5	Texas Instruments	TL431IDBVR
2	D3, D5	LED 660NM SUPER RED DIFF 0603SMD	Lumex® Opto/Components Inc	SML-LX0603SRW-TR
1	F1	FUSE 5.0A 32V FAST SMD 0603	Tyco® Electronics/Raychem Circuit Protection	0603SFF500F/32-2
2	J1, J2	CONN TERM BLOCK 2POS 5MM PCB	Phoenix Contact	1715022
1	J3	CONN MOD JACK 6-6 RT/A PCB 50AU	Tyco Electronics/Amp	5555165-1
1	J4	CONN HEADER VERT 3POS.100 TIN	Tyco Electronics/Amp	640454-3
1	L1	INDUCTOR POWER HI CURR 10UH SMD	Coiltronics/Div of Cooper/Bussmann	HC1-100-R
1	Q1	MOSFET N-CH 30V 35A DPAK	International Rectifier	IRLR3303PBF
1	Q2	MOSFET N-CH 30V 91A DPAK	International Rectifier	IRLR8103VPBF
4	Q3, Q6, Q7, Q8	MOSFET N-CH 30V 1.2A SSOT3	Fairchild Semiconductor	NDS351AN

Note 1: The components listed in this Bill of Materials are representative of the PCB assembly. The released BOM used in manufacturing uses all RoHS-compliant components.

MCP1630V Bidirectional 4 Cell Li-Ion Charger Reference Design User's Guide

TABLE B-1: BILL OF MATERIALS (BOM) (CONTINUED)

QTY	Reference Designator	Description	Manufacturer	Part Number
1	Q4	MOSFET P-CH 30V 610MA SOT-23	International Rectifier	IRLML5103TRPBF
1	Q5	TRANSISTOR GP NPN AMP SOT-23	Fairchild Semiconductor®	MMBT3904
0	R1, R21	SMT0603 RESISTOR DO NOT POPULATE	—	—
1	R2	RES 499K OHM 1/10W 1% 0603 SMD	Panasonic® - ECG	ERJ-3EKF4993V
2	R3, R33	RES 9.53K OHM 1/10W 1% 0603 SMD	Panasonic - ECG	ERJ-3EKF9531V
2	R4, R5	RESISTOR .100 OHM 1W 1% 2512	Panasonic - ECG	ERJ-L1WKF10CU
5	R6, R7, R13, R29, R39	RES 10.0K OHM 1/10W 1% 0603 SMD	Panasonic - ECG	ERJ-3EKF1002V
1	R8	RES 1.50K OHM 1/10W 1% 0603 SMD	Panasonic - ECG	ERJ-3EKF1501V
6	R9, R15, R19, R22, R38	RES 10.0K OHM 1/10W 1% 0603 SMD	Panasonic - ECG	ERJ-3EKF1002V
1	R10	RES 1.00K OHM 1/10W 1% 0603 SMD	Panasonic - ECG	ERJ-3EKF1001V
3	R11, R42, R43	RES 47.5K OHM 1/10W 1% 0603 SMD	Panasonic - ECG	ERJ-3EKF4752V
1	R12, R17	RES 15.0K OHM 1/10W 1% 0603 SMD	Panasonic - ECG	ERJ-3EKF1502V
1	R14	RES 6.98K OHM 1/10W 1% 0603 SMD	Panasonic - ECG	ERJ-3EKF6981V
2	R16, R32	RES 49.9K OHM 1/10W 1% 0603 SMD	Panasonic - ECG	ERJ-3EKF4992V
3	R18, R40, R45	RES 2.00K OHM 1/10W 1% 0603 SMD	Panasonic - ECG	ERJ-3EKF2001V
1	R20	RES 150 OHM 1/10W 1% 0603 SMD	Panasonic - ECG	ERJ-3EKF1500V
3	R23, R34, R37	RES 7.87K OHM 1/10W 1% 0603 SMD	Panasonic - ECG	ERJ-3EKF7871V
1	R24	RESISTOR 1.20M OHM 1/10W 1% 0603	Panasonic - ECG	ERJ-3EKF1204V
1	R25	RES 30.1K OHM 1/10W 1% 0603 SMD	Panasonic - ECG	ERJ-3EKF3012V
3	R26, R27	RES 4.99K OHM 1/10W 1% 0603 SMD	Panasonic - ECG	ERJ-3EKF4991V
1	R28	RES 43.2K OHM 1/10W 1% 0603 SMD	Panasonic - ECG	ERJ-3EKF4322V
1	R30	RES 14.7K OHM 1/10W 1% 0603 SMD	Panasonic - ECG	ERJ-3EKF1472V
1	R31	RES 24.9K OHM 1/10W 1% 0603 SMD	Panasonic - ECG	ERJ-3EKF2492V
1	R35	RES 1.62K OHM 1/10W 1% 0603 SMD	Panasonic - ECG	ERJ-3EKF1621V
1	R36	RES 221K OHM 1/10W 1% 0603 SMD	Panasonic - ECG	ERJ-3EKF2213V
1	R44	RES 3.3 OHM 1W 1% 2512 SMD	Panasonic - ECG	ERJ-1TRQF3R3U
1	SW1	SWITCH TACT 6MM 260GF SMT	E-Switch	TL3301NF260QG
6	TP1, TP2, TP3, TP4, TP5, TP6	PC TEST POINT COMPACT SMT	Keystone Electronics®	5016
1	U1	IC DRIVER MOSFET DUAL SYNC 8SOIC	Intersil	ISL6207CBZ
1	U2	MCP1630V HIGH SPEED ANALOG PWM	Microchip Technology Inc.	MCP1630V-E/MS
2	U3, U4	DUAL 10MHz AMPLIFIER 8 PIN TSSOP PACKAGE	Microchip Technology Inc.	MCP6022-I/ST
1	U5	IC MCU FLASH 4KX14 EEPROM 20SSOP	Microchip Technology Inc.	PIC16F88T-I/SS
1	U7	IC DGTL THERM SENSOR 5V SOT23A-5	Microchip Technology Inc.	TC74A5-5.0VCTTR

Note 1: The components listed in this Bill of Materials are representative of the PCB assembly. The released BOM used in manufacturing uses all RoHS-compliant components.

Appendix C. Firmware

C.1 DEVICE FIRMWARE - FLOWCHART

For the latest copy of the MCP1630V Bidirectional 4 Cell Li-Ion Charger Reference Design User's Guide firmware, visit our web site at www.microchip.com.

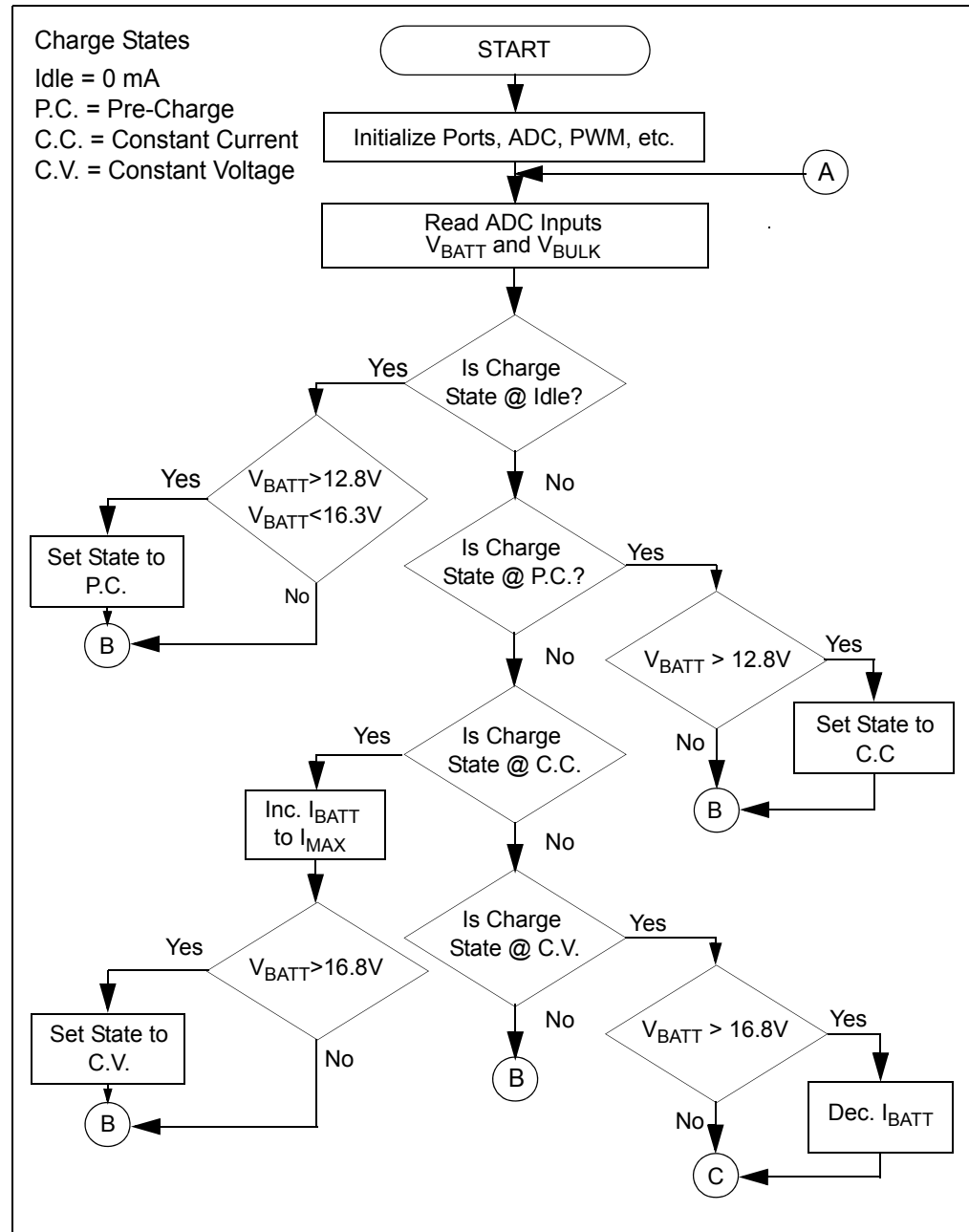


FIGURE C-1: Firmware Flowchart, page 1.

C.2 DEVICE FIRMWARE - FLOWCHART (CONTINUED)

For the latest copy of the MCP1630V Bidirectional 4 Cell Li-Ion Charger Reference Design User's Guide firmware, visit our web site at www.microchip.com

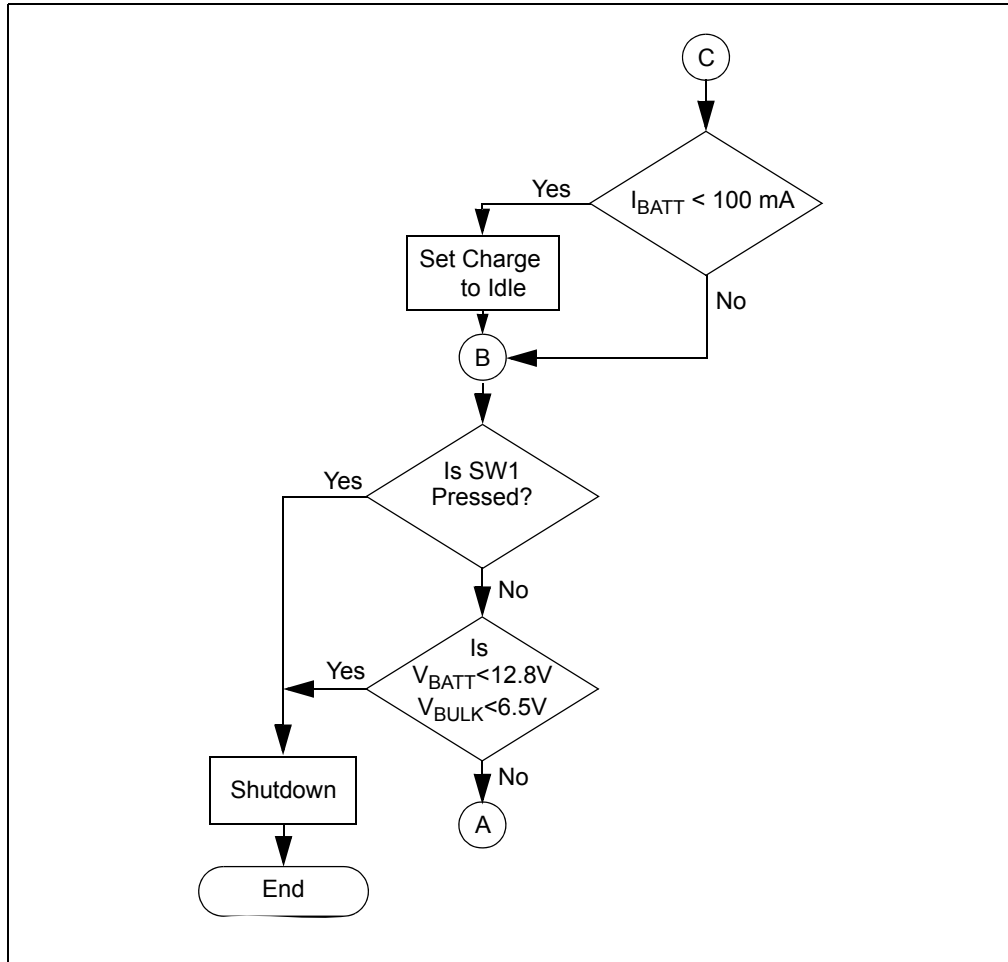


FIGURE C-2: Firmware Flowchart, page 2.

NOTES:



MICROCHIP

WORLDWIDE SALES AND SERVICE

AMERICAS

Corporate Office

2355 West Chandler Blvd.
Chandler, AZ 85224-6199
Tel: 480-792-7200
Fax: 480-792-7277
Technical Support:
<http://support.microchip.com>
Web Address:
www.microchip.com

Atlanta

Alpharetta, GA
Tel: 770-640-0034
Fax: 770-640-0307

Boston

Westborough, MA
Tel: 774-760-0087
Fax: 774-760-0088

Chicago

Itasca, IL
Tel: 630-285-0071
Fax: 630-285-0075

Dallas

Addison, TX
Tel: 972-818-7423
Fax: 972-818-2924

Detroit

Farmington Hills, MI
Tel: 248-538-2250
Fax: 248-538-2260

Kokomo

Kokomo, IN
Tel: 765-864-8360
Fax: 765-864-8387

Los Angeles

Mission Viejo, CA
Tel: 949-462-9523
Fax: 949-462-9608

Santa Clara

Santa Clara, CA
Tel: 408-961-6444
Fax: 408-961-6445

Toronto

Mississauga, Ontario,
Canada
Tel: 905-673-0699
Fax: 905-673-6509

ASIA/PACIFIC

Asia Pacific Office

Suites 3707-14, 37th Floor
Tower 6, The Gateway
Harbour City, Kowloon
Hong Kong
Tel: 852-2401-1200
Fax: 852-2401-3431

Australia - Sydney

Tel: 61-2-9868-6733
Fax: 61-2-9868-6755

China - Beijing

Tel: 86-10-8528-2100
Fax: 86-10-8528-2104

China - Chengdu

Tel: 86-28-8665-5511
Fax: 86-28-8665-7889

China - Fuzhou

Tel: 86-591-8750-3506
Fax: 86-591-8750-3521

China - Hong Kong SAR

Tel: 852-2401-1200
Fax: 852-2401-3431

China - Qingdao

Tel: 86-532-8502-7355
Fax: 86-532-8502-7205

China - Shanghai

Tel: 86-21-5407-5533
Fax: 86-21-5407-5066

China - Shenyang

Tel: 86-24-2334-2829
Fax: 86-24-2334-2393

China - Shenzhen

Tel: 86-755-8203-2660
Fax: 86-755-8203-1760

China - Shunde

Tel: 86-757-2839-5507
Fax: 86-757-2839-5571

China - Wuhan

Tel: 86-27-5980-5300
Fax: 86-27-5980-5118

China - Xian

Tel: 86-29-8833-7250
Fax: 86-29-8833-7256

ASIA/PACIFIC

India - Bangalore

Tel: 91-80-4182-8400
Fax: 91-80-4182-8422

India - New Delhi

Tel: 91-11-4160-8631
Fax: 91-11-4160-8632

India - Pune

Tel: 91-20-2566-1512
Fax: 91-20-2566-1513

Japan - Yokohama

Tel: 81-45-471-6166
Fax: 81-45-471-6122

Korea - Gumi

Tel: 82-54-473-4301
Fax: 82-54-473-4302

Korea - Seoul

Tel: 82-2-554-7200
Fax: 82-2-558-5932 or
82-2-558-5934

Malaysia - Penang

Tel: 60-4-646-8870
Fax: 60-4-646-5086

Philippines - Manila

Tel: 63-2-634-9065
Fax: 63-2-634-9069

Singapore

Tel: 65-6334-8870
Fax: 65-6334-8850

Taiwan - Hsin Chu

Tel: 886-3-572-9526
Fax: 886-3-572-6459

Taiwan - Kaohsiung

Tel: 886-7-536-4818
Fax: 886-7-536-4803

Taiwan - Taipei

Tel: 886-2-2500-6610
Fax: 886-2-2508-0102

Thailand - Bangkok

Tel: 66-2-694-1351
Fax: 66-2-694-1350

EUROPE

Austria - Wels

Tel: 43-7242-2244-39
Fax: 43-7242-2244-393

Denmark - Copenhagen

Tel: 45-4450-2828
Fax: 45-4485-2829

France - Paris

Tel: 33-1-69-53-63-20
Fax: 33-1-69-30-90-79

Germany - Munich

Tel: 49-89-627-144-0
Fax: 49-89-627-144-44

Italy - Milan

Tel: 39-0331-742611
Fax: 39-0331-466781

Netherlands - Drunen

Tel: 31-416-690399
Fax: 31-416-690340

Spain - Madrid

Tel: 34-91-708-08-90
Fax: 34-91-708-08-91

UK - Wokingham

Tel: 44-118-921-5869
Fax: 44-118-921-5820

10/19/06



Компания «ЭлектроПласт» предлагает заключение долгосрочных отношений при поставках импортных электронных компонентов на взаимовыгодных условиях!

Наши преимущества:

- Оперативные поставки широкого спектра электронных компонентов отечественного и импортного производства напрямую от производителей и с крупнейших мировых складов;
- Поставка более 17-ти миллионов наименований электронных компонентов;
- Поставка сложных, дефицитных, либо снятых с производства позиций;
- Оперативные сроки поставки под заказ (от 5 рабочих дней);
- Экспресс доставка в любую точку России;
- Техническая поддержка проекта, помощь в подборе аналогов, поставка прототипов;
- Система менеджмента качества сертифицирована по Международному стандарту ISO 9001;
- Лицензия ФСБ на осуществление работ с использованием сведений, составляющих государственную тайну;
- Поставка специализированных компонентов (Xilinx, Altera, Analog Devices, Intersil, Interpoint, Microsemi, Aeroflex, Peregrine, Syfer, Eurofarad, Texas Instrument, Miteq, Cobham, E2V, MA-COM, Hittite, Mini-Circuits, General Dynamics и др.);

Помимо этого, одним из направлений компании «ЭлектроПласт» является направление «Источники питания». Мы предлагаем Вам помощь Конструкторского отдела:

- Подбор оптимального решения, техническое обоснование при выборе компонента;
- Подбор аналогов;
- Консультации по применению компонента;
- Поставка образцов и прототипов;
- Техническая поддержка проекта;
- Защита от снятия компонента с производства.



Как с нами связаться

Телефон: 8 (812) 309 58 32 (многоканальный)

Факс: 8 (812) 320-02-42

Электронная почта: org@eplast1.ru

Адрес: 198099, г. Санкт-Петербург, ул. Калинина, дом 2, корпус 4, литера А.