

Fused Lighting & Appliance Panelboard

EP Series Coordination Module™



The Cooper Bussmann® Coordination Module™ saves you time and money by making it easy to meet NEC® selective coordination requirements.

The Cooper Bussmann Coordination Module makes it simple to achieve and verify selective coordination in a fully fused system. Utilize published fuse coordination ratios to select the correct upstream fuse rating. The ratios ensure coordination for any level of fault current, so short-circuit current studies are not required to design a selective coordinated system.

General Information:

- Use Low-Peak® fuses and a 2:1 ratio to easily achieve coordination
- Locate open fuses with easy/ID™ neon indicator
- Use to comply with 2008 NEC® selective coordination requirements for emergency, legally required standby and essential electrical systems per sections 700.27, 701.18, 517.26 and 708.54

Catalog Symbol: EP

Voltage Ratings: 120/208V, 120/240V, 277/480V

Main Device Type: MLO (200A), Main Circuit Breaker (up to 200A)

Enclosure: NEMA 1

Trim: Surface Mount

Agency Information: UL 67, UL 50

Coordination Module™ Specifications

Series	Voltage Rating	Short-Circuit Current Rating	Dimensions	Panel Configuration	Number of Circuits	Main Option
EP2M23012GCC	120/208V	100kA*	28" W X 36" H X 5.75" D	3-Phase, 4 Wire	12	Main Lug Only
EP2M23024GCC	120/208V	100kA*	28" W X 36" H X 5.75" D	3-Phase, 4 Wire	24	Main Lug Only
EP2M23036GCC	120/208V	100kA*	28" W X 48" H X 5.75" D	3-Phase, 4 Wire	36	Main Lug Only
EP2M23042GCC	120/208V	100kA*	28" W X 48" H X 5.75" D	3-Phase, 4 Wire	42	Main Lug Only
EP2B_3012GCC	120/240V	100kA*	28" W X 36" H X 5.75" D	3-Phase, 4 Wire	12	Main Breaker
EP2B_3024GCC	120/240V	100kA*	28" W X 36" H X 5.75" D	3-Phase, 4 Wire	24	Main Breaker
EP2B_3036GCC	120/240V	100kA*	28" W X 48" H X 5.75" D	3-Phase, 4 Wire	36	Main Breaker
EP2B_3042GCC	120/240V	100kA*	28" W X 48" H X 5.75" D	3-Phase, 4 Wire	42	Main Breaker
EP3M23012GCC	120/240V	100kA*	28" W X 36" H X 5.75" D	1-Phase, 3 Wire	12	Main Lug Only
EP3M23024GCC	120/240V	100kA*	28" W X 36" H X 5.75" D	1-Phase, 3 Wire	24	Main Lug Only
EP3M23036GCC	120/240V	100kA*	28" W X 48" H X 5.75" D	1-Phase, 3 Wire	36	Main Lug Only
EP3M23042GCC	120/240V	100kA*	28" W X 48" H X 5.75" D	1-Phase, 3 Wire	42	Main Lug Only
EP3B_3012GCC	120/240V	100kA*	28" W X 36" H X 5.75" D	1-Phase, 3 Wire	12	Main Breaker
EP3B_3024GCC	120/240V	100kA*	28" W X 36" H X 5.75" D	1-Phase, 3 Wire	24	Main Breaker
EP3B_3036GCC	120/240V	100kA*	28" W X 48" H X 5.75" D	1-Phase, 3 Wire	36	Main Breaker
EP3B_3042GCC	120/240V	100kA*	28" W X 48" H X 5.75" D	1-Phase, 3 Wire	42	Main Breaker
EP4M23012GCC	277/480V	100kA**	28" W X 36" H X 5.75" D	3-Phase, 4 Wire	12	Main Lug Only
EP4M23024GCC	277/480V	100kA**	28" W X 36" H X 5.75" D	3-Phase, 4 Wire	24	Main Lug Only
EP4M23036GCC	277/480V	100kA**	28" W X 48" H X 5.75" D	3-Phase, 4 Wire	36	Main Lug Only
EP4M23042GCC	277/480V	100kA**	28" W X 48" H X 5.75" D	3-Phase, 4 Wire	42	Main Lug Only
EP4B_3012GCC	277/480V	100kA**	28" W X 36" H X 5.75" D	3-Phase, 4 Wire	12	Main Breaker
EP4B_3024GCC	277/480V	100kA**	28" W X 36" H X 5.75" D	3-Phase, 4 Wire	24	Main Breaker
EP4B_3036GCC	277/480V	100kA**	28" W X 48" H X 5.75" D	3-Phase, 4 Wire	36	Main Breaker
EP4B_3042GCC	277/480V	100kA**	28" W X 48" H X 5.75" D	3-Phase, 4 Wire	42	Main Breaker

* When protected by upstream LPN-RK 100A max, LPJ 200A max or JJN 200A max, otherwise 10kA.

** When protected by upstream LPS-RK 200A max, LPJ 200A max or JJS 200A max, otherwise 14kA.

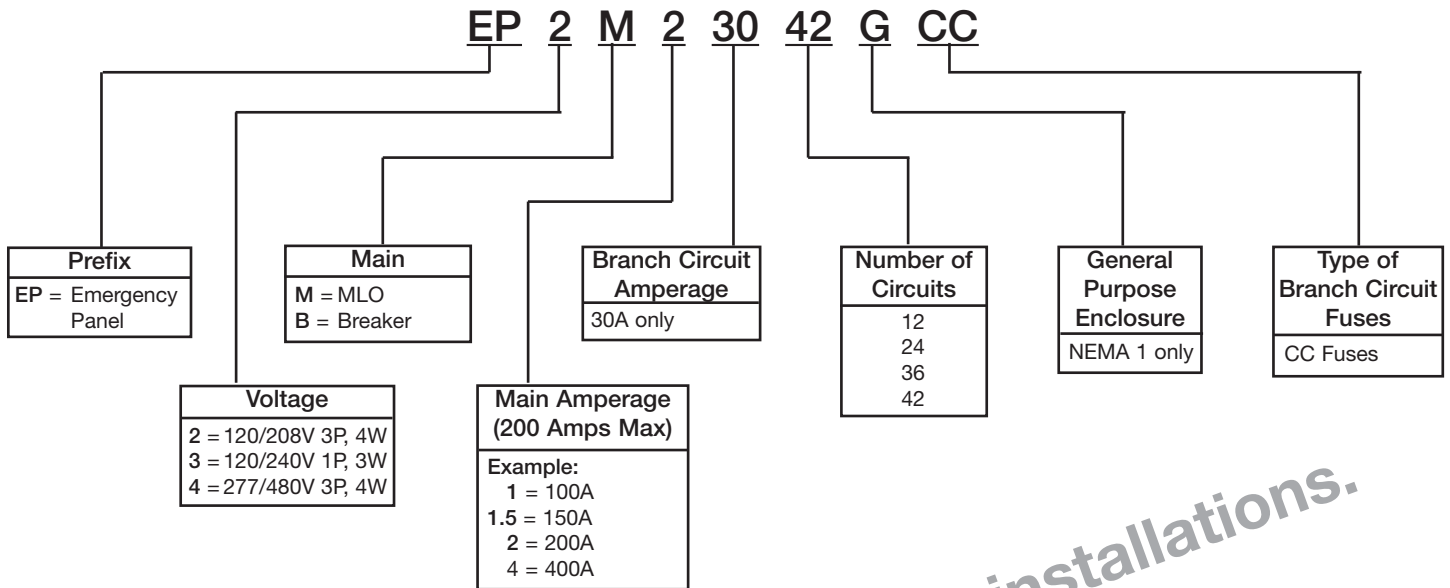
Main breaker option may impact selective coordination. Coordination must be verified analyzing time current curves and available current.

Feed through lugs available upon request

Fused Lighting & Appliance Panelboard

EP Series Coordination Module™

Coordination Module™ Catalog Numbering System



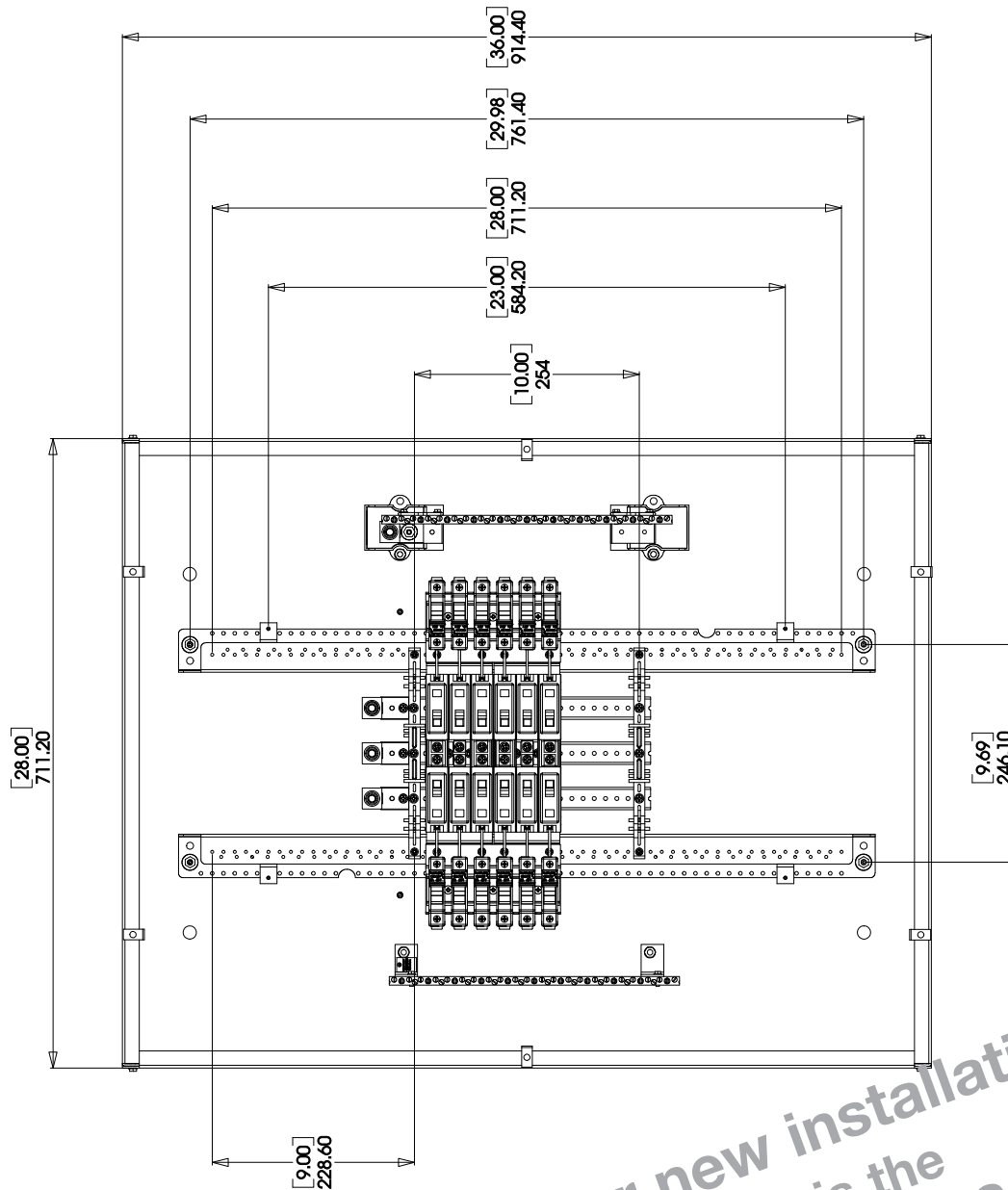
*Assembly not available for new installations.
Recommended replacement is the
Quik-Spec™ Coordination Panelboard (QSCP).
See Data Sheet 1160 for details.*

The only controlled copy of this Data Sheet is the electronic read-only version located on the Cooper Bussmann Network Drive. All other copies of this document are by definition uncontrolled. This bulletin is intended to clearly present comprehensive product data and provide technical information that will help the end user with design applications. Cooper Bussmann reserves the right, without notice, to change design or construction of any products and to discontinue or limit distribution of any products. Cooper Bussmann also reserves the right to change or update, without notice, any technical information contained in this bulletin. Once a product has been selected, it should be tested by the user in all possible applications.

Fused Lighting & Appliance Panelboard

EP Series Coordination Module™

EPM203012GCC



Assembly not available for new installations.
Recommended replacement is the
Quik-Spec™ Coordination Panelboard (QSCP).
See Data Sheet 1160 for details.

Fused Lighting & Appliance Panelboard

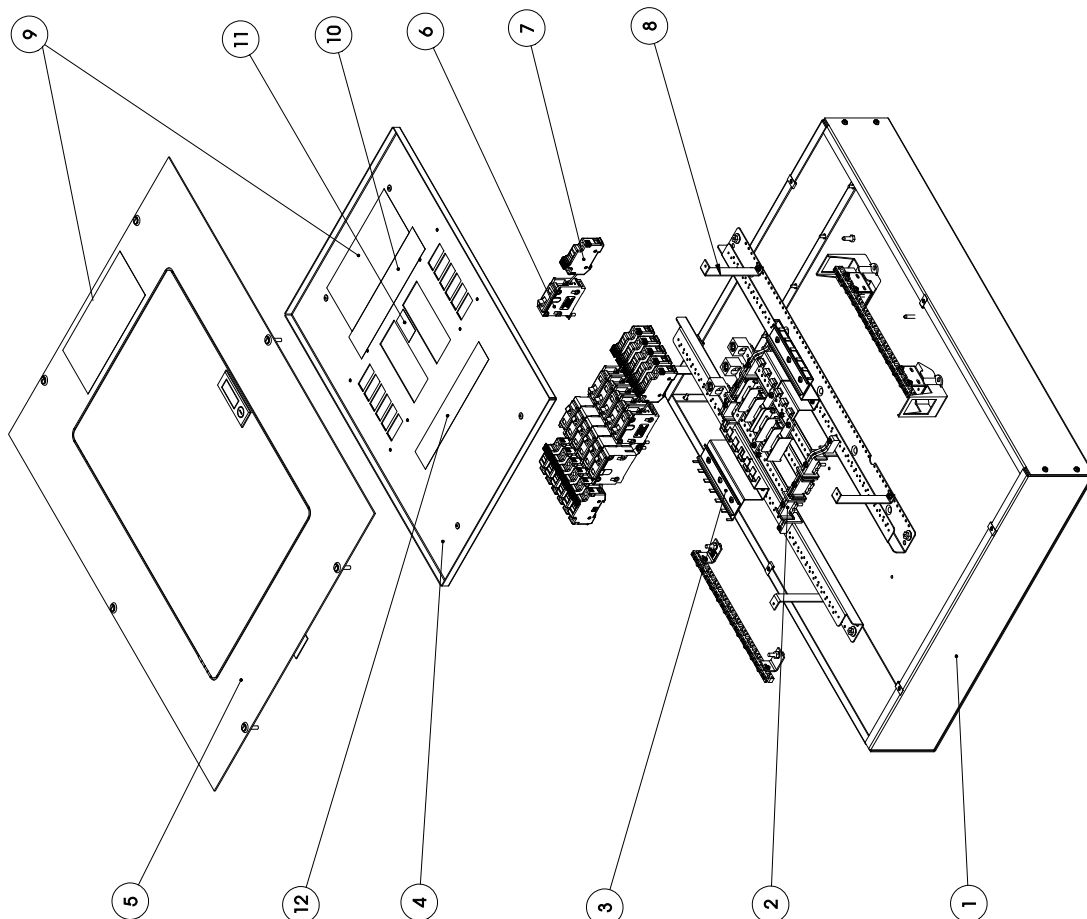
EP Series Coordination Module™

EP2M03012GCC

Assembly not available
for new installations.
Recommended replacement
is the Quik-Spec™
Coordination Panelboard (QSCP).
See Data Sheet 1160 for details.

ITEM NO.	PART NUMBER	DESCRIPTION	QTY.
1*	YS2836	Enclosure 36728"x6.75"	1
2	PL1B124L2C	central chassis sub-assy	1
3	V003612	Fuse Holder Mounting	2
4	V003648	Dead Front	1
5	V003650	Door Assembly	1
6	BA91030	BAB1030 Breaker	12
7	CHCC1D	Bussmann Fuse Holder	12
8	V003651	Dead Front Support	4
9	LFT00095	Bussmann Logo Label	2
10	900P061H01	Rating/Warning Label	1
11	267P916H01	Danger Label	1
12	LFT00096	Torque Label	1
13**	672SD1H30	Poly Bag	1
14**	V003678	Circuit Directory	1
15**	V001774	Instruction Sheet	1
16**	LFT00021	Numbers Label	1

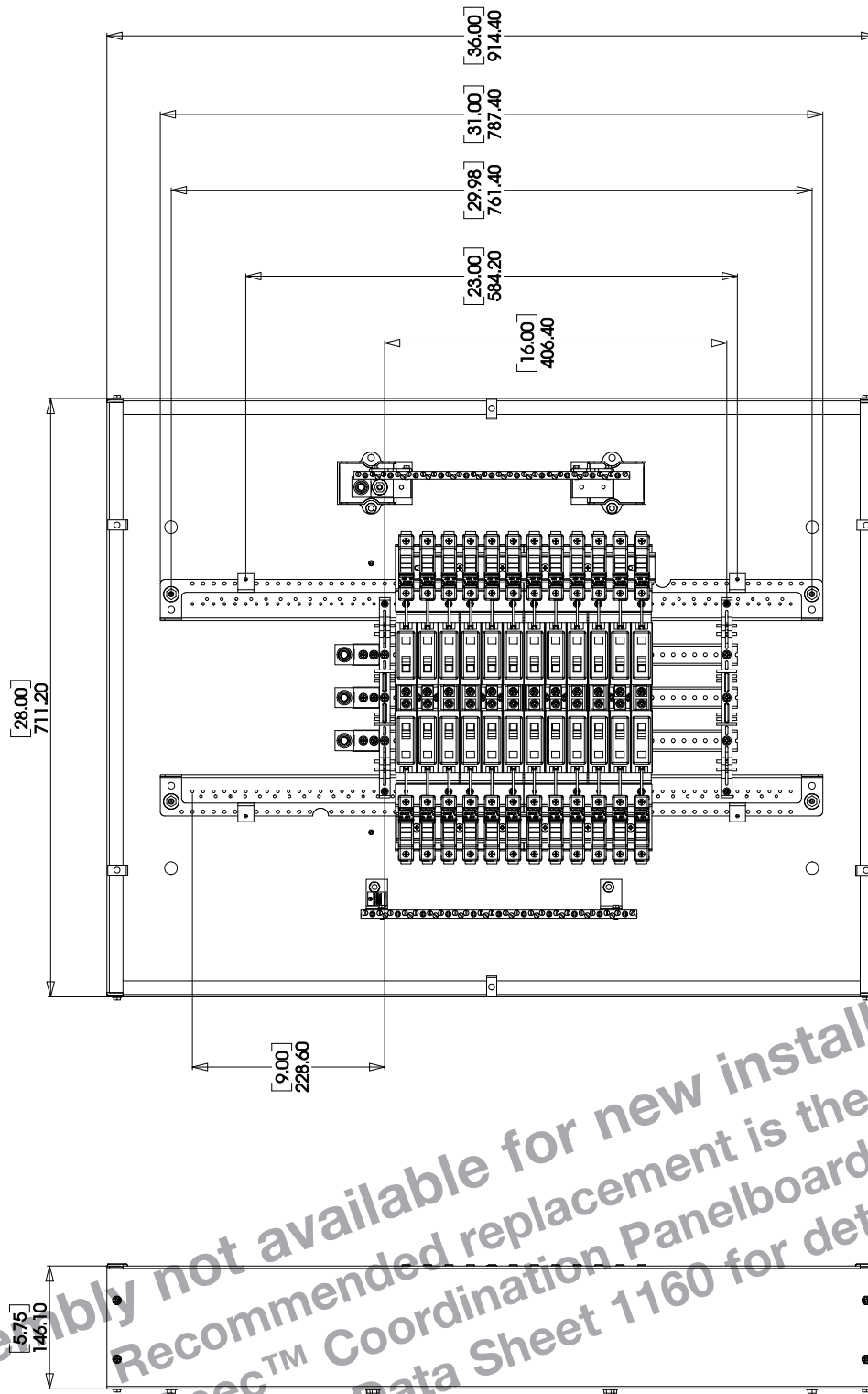
* Enclosure comes assembled with grounding and neutral assemblies installed
** Polybag item number 13 NOT SHOWN



Fused Lighting & Appliance Panelboard

EP Series Coordination Module™

EP2M203024GCC



Assembly not available for new installations.
Recommended replacement is the
Quik-Spec™ Coordination Panelboard (QSCP).
See Data Sheet 1160 for details.

Fused Lighting & Appliance Panelboard

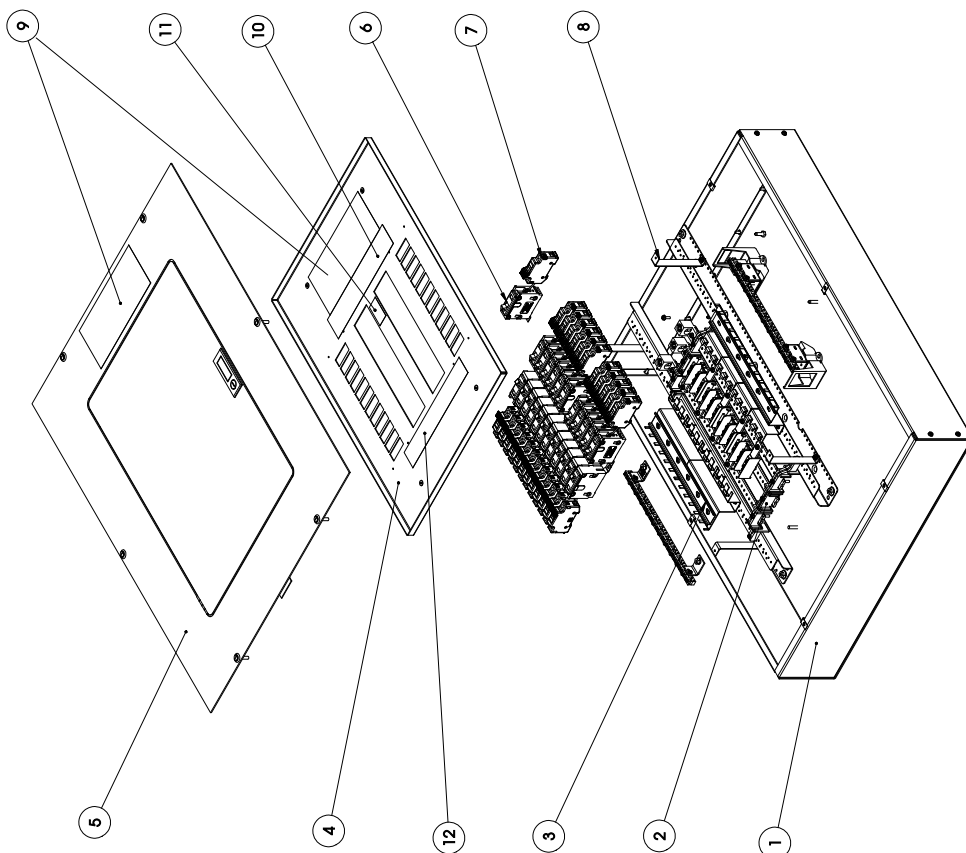
EP Series Coordination Module™

EP2M203024GCC

Assembly not available
for new installations.
Recommended replacement
is the Quik-Spec™
Coordination Panelboard (QSCP).
See Data Sheet 1160 for details.

ITEM NO.	PART NUMBER	DESCRIPTION	QTY.
1*	YS2836	Enclosure 36x28x6.75	1
2	PL1B244L2C	central chassis sub-assy for 24 circuit	1
3	V003613	Fuse Holder Mounting	2
4	V003565	V003565 Dead Front	1
5	V003550	Door	1
6	BAB1030	BAB1030 Breaker	24
7	CHCC1D	Bussmann Fuse Holder	24
8	V003551	Dead Front Support	4
9	LFT00095	Bussmann Logo Label	2
10	900P051H01	Rating / Warning Label	1
11	267P916H01	Danger Label	1
12	LFT00096	Torque Label	1
13**	672SD1H30	Poly Bag	1
14**	V003678	Circuit Directory	1
15**	V001774	Instruction Sheet	1
16**	LFT00021	Numbers Label	1

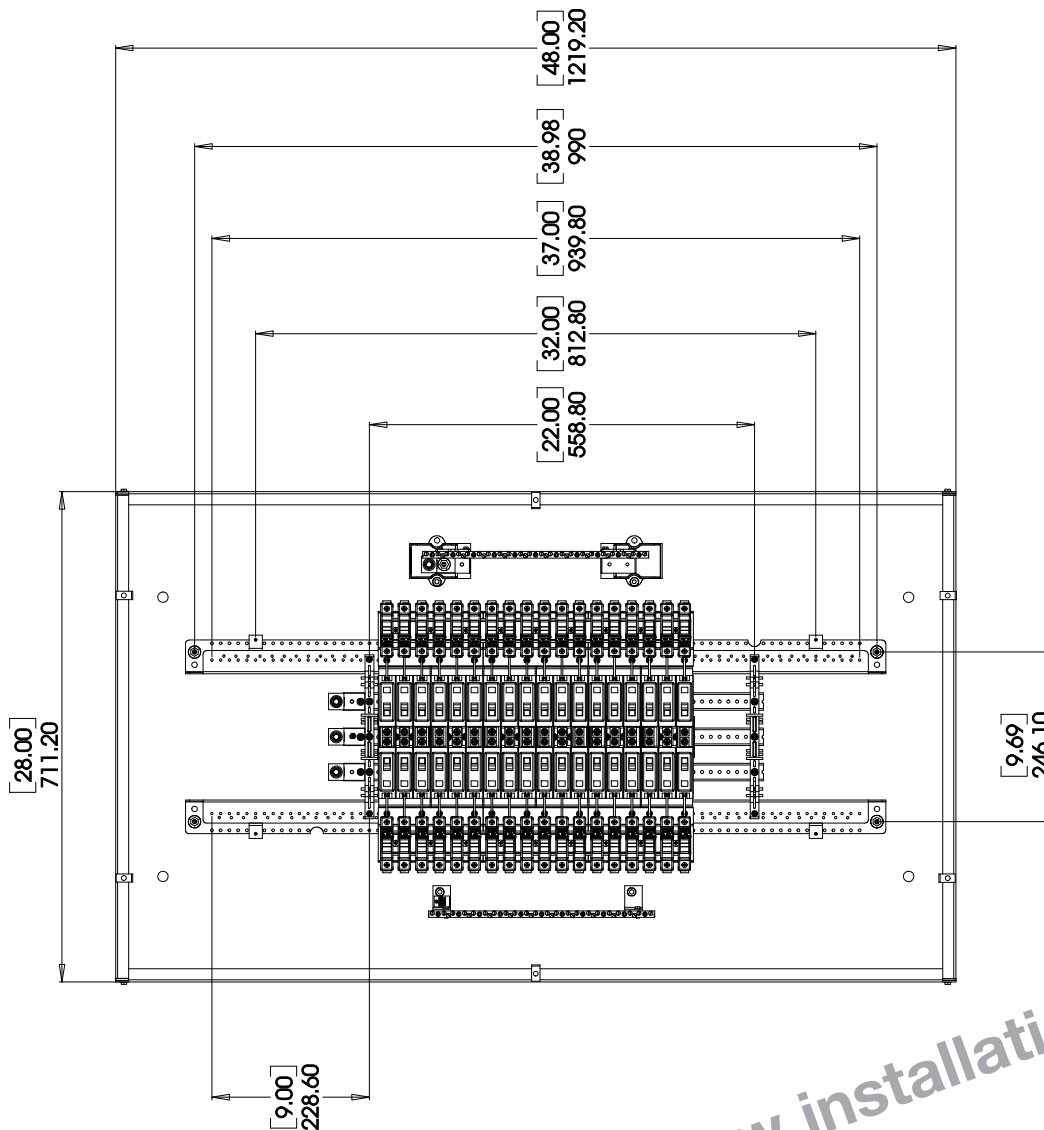
* Enclosure comes assembled with grounding and assemblies installed
** Items Number 14, 15, 16 & the keys to the door lock are included in the Polybag
Item number 13 Not Shown.



Fused Lighting & Appliance Panelboard

EP Series Coordination Module™

EP2M203036GCC



Assembly not available for new installations.
Recommended replacement is the
Quik-Spec™ Coordination Panelboard (QSCP).
See Data Sheet 1160 for details.

Fused Lighting & Appliance Panelboard

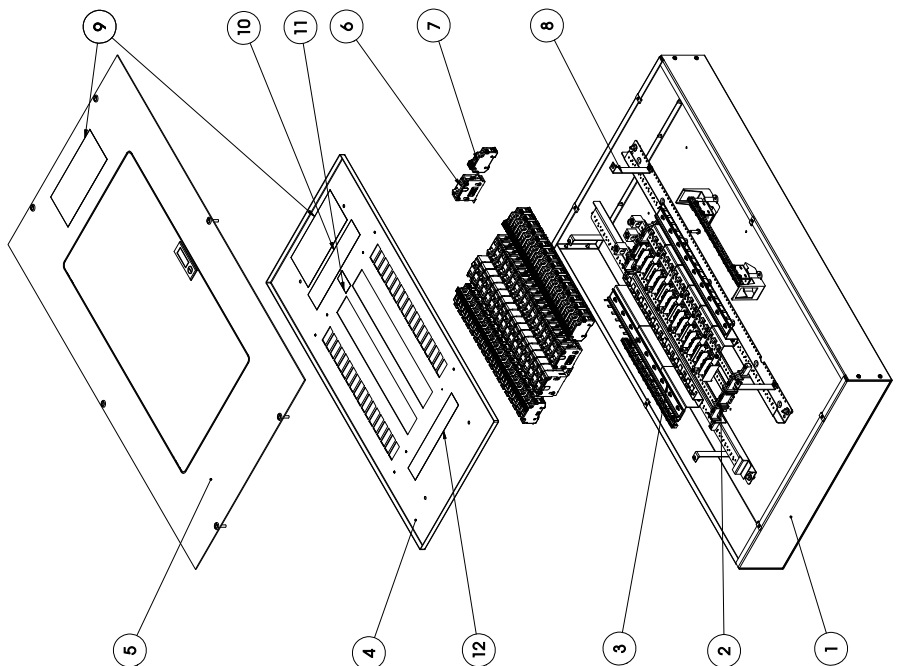
EP Series Coordination Module™

EP2M203036GCC

Assembly not available
for new installations.
Recommended replacement
is the Quik-Spec™
Coordination Panelboard (QSCP).
See Data Sheet 1160 for details.

ITEM NO.	PART NUMBER	DESCRIPTION	QTY.
1*	YS2848	Enclosure 48x26x5.75	1
2	PL1B364L2C	central chassis sub-cassy for 36 circuit	1
3	V003614	Fuse holder Mounting Rail	2
4	V003567	Dead Front	1
5	V003566	DOOR Assembly	1
6	BAB1030	BAB1030 Breaker	36
7	CHCC1D	Bussmann Fuse Holder	36
8	V003551	Dead Front Support	4
9	LFT00095	Bussmann Logo Label	2
10	900P051H01	Rafting/ Warning Label	1
11	267P916H01	Danger Label	1
12	LFT00096	Torque Label	1
13**	672SD1H30	Poly Bag	1
14**	V003678	Circuit Directory	1
15**	V001774	Instruction Sheet	1
16**	LFT00021	Numbers Label	1

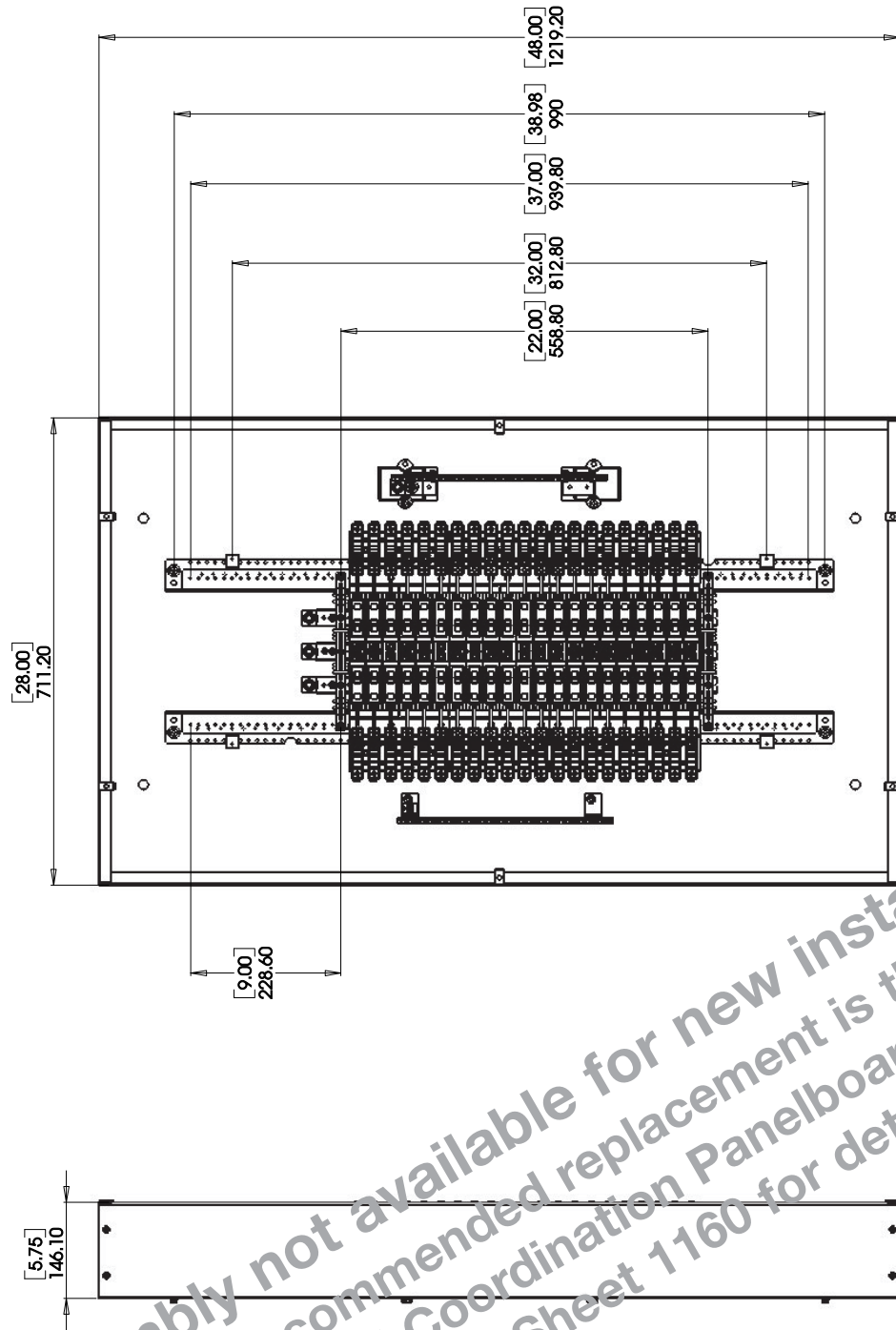
* Enclosure comes assembled with grounding and neutral assemblies installed
** Items Number 14, 15, 16 & the keys to door lock are included in the polybag
Item number 13 Not Shown



Fused Lighting & Appliance Panelboard

EP Series Coordination Module™

EP2M203042GCC



Assembly not available for new installations.
Recommended replacement is the
Quik-Spec™ Coordination Panelboard (QSCP).
See Data Sheet 1160 for details.

Fused Lighting & Appliance Panelboard

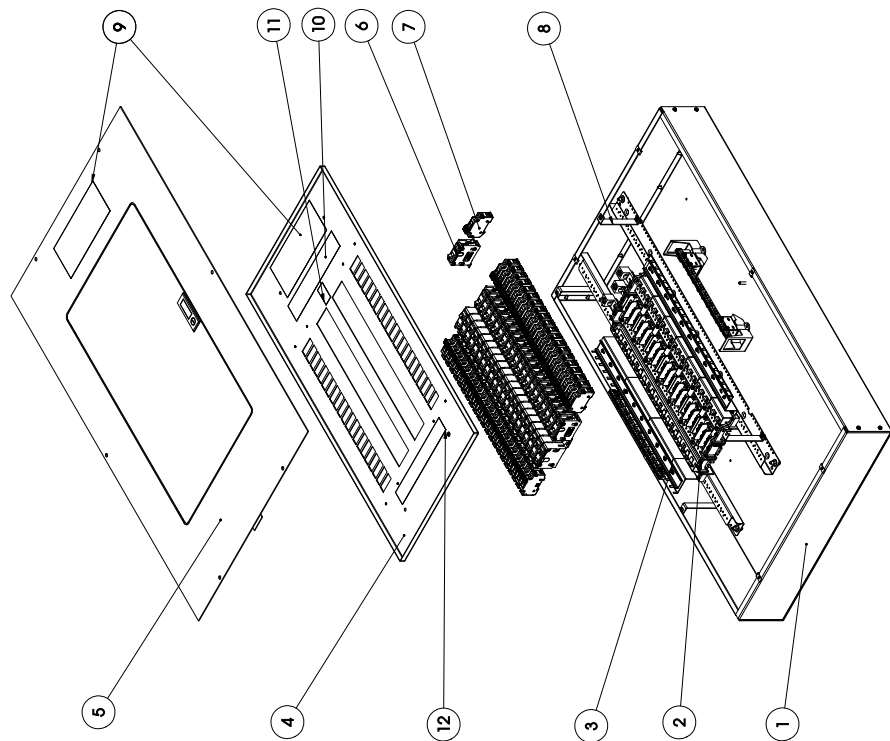
EP Series Coordination Module™

EP2M203042GCC

Assembly not available
for new installations.
Recommended replacement
is the Quik-Spec™
Coordination Panelboard (QSCP).
See Data Sheet 1160 for details.

ITEM NO.	PART NUMBER	DESCRIPTION	QTY.
1*	YS2848	Enclosure 48x28x5.75	1
2	PL1B424L2C	central chassis sub-assy for 36 circuit	1
3	V003547	Fuse holder Mounting Rail	2
4	V003568	Dead Front	1
5	V003566	DOOR Assembly	1
6	BAB1030	BAB1030 Breaker	42
7	CHCC1D	Bussmann Fuse Holder	42
8	V003551	Dead Front Support	4
9	LFT00095	Bussmann Logo Label	2
10	900P051H01	Rating/ Warning Label	1
11	267P916H01	Danger Label	1
12	LFT00096	Torque Label	1
13**	6725D1H30	Poly Bag	1
14**	V003678	Circuit Directory	1
15**	V001774	Instruction Sheet	1
16**	LFT00021	Numbers Label	1

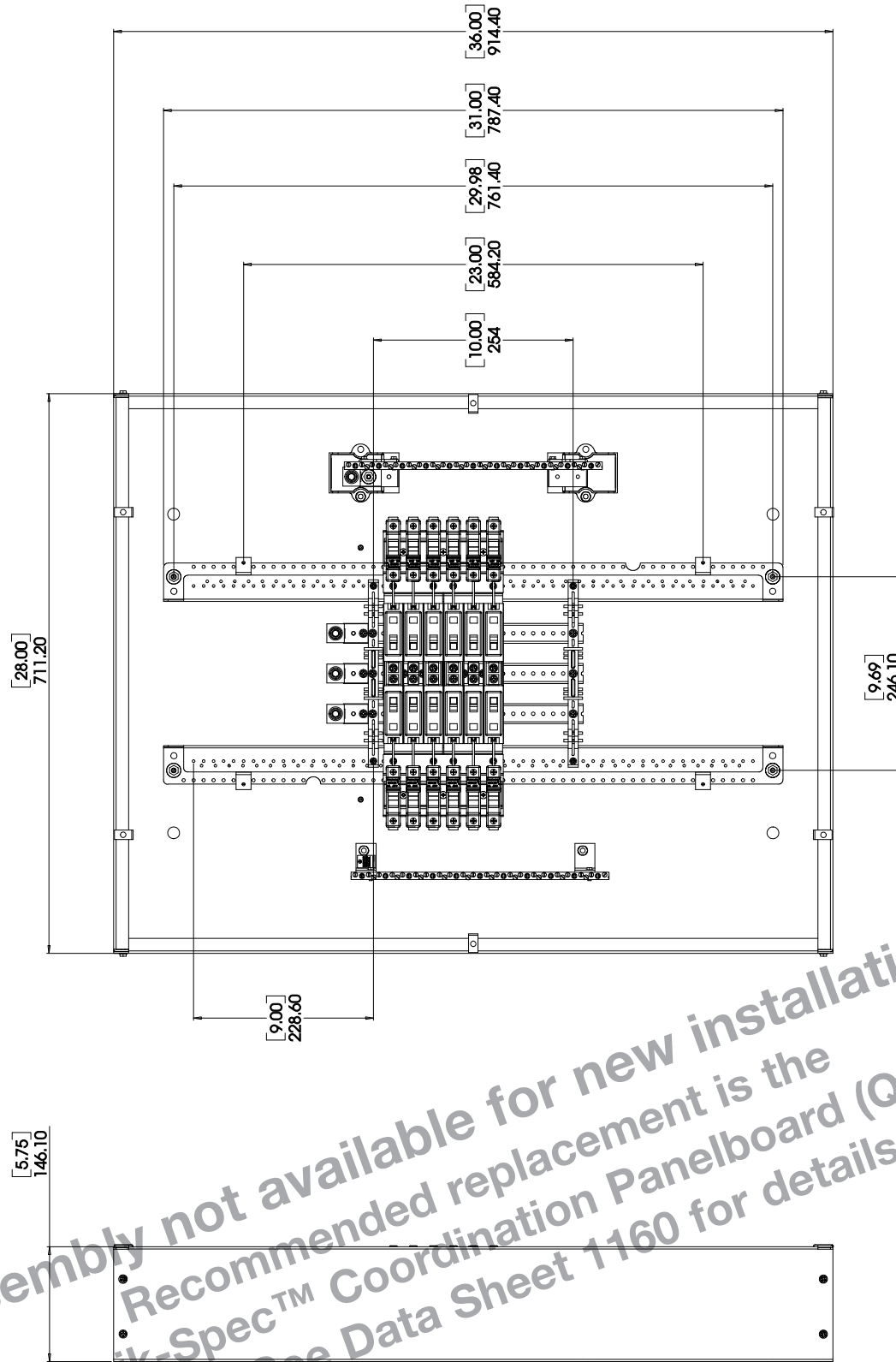
* Enclosure comes assembled with grounding and neutral assemblies installed
** Items Number 14, 15, 16 & the keys to door lock are included in the polybag
Item number 13 Not Shown



Fused Lighting & Appliance Panelboard

EP Series Coordination Module™

EP4M203012GCC



Assembly not available for new installations.
Recommended replacement is the
Quik-Spec™ Coordination Panelboard (QSCP).
See Data Sheet 1160 for details.

Fused Lighting & Appliance Panelboard

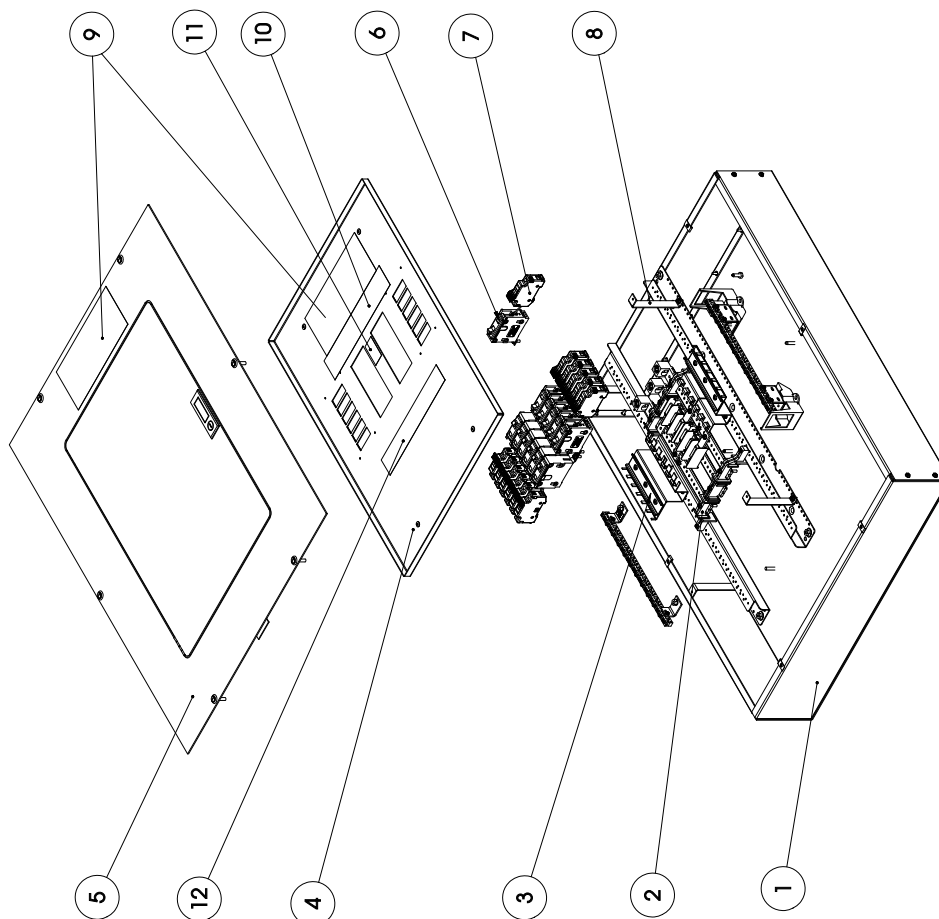
EP Series Coordination Module™

EP4M203012GCC

Assembly not available for new installations. Recommended replacement is the Quik-Spec™ Coordination Panelboard (QSCP). See Data Sheet 1160 for details.

ITEM NO.	PART NUMBER	DESCRIPTION	QTY.
1*	YS2834	Enclosure, 3/2-20x45/75	1
2	VF0125L2C	Control Switch Sub	1
3	VF03012	Fuse Mounting Rail	2
4	VF03015	Door Front	1
5	VF03050	Door	1
6	GH1050	GH1050 Breaker	12
7	CHCC1D	Bussmann Fuse Holder	12
8	VF03061	Dead Front Support	4
9	LF100095	Bussmann Logo Label	2
10	90P061H01	Rating / Warning Label	1
11	20P910H01	Danger Label	1
12	LF100096	Logo Label	1
13**	VF03070	Terminal Block	1
14**	VF03078	Circuit Directory	1
15**	VF00774	Instruction Sheet	1
16**	LF100092	Number Label	1

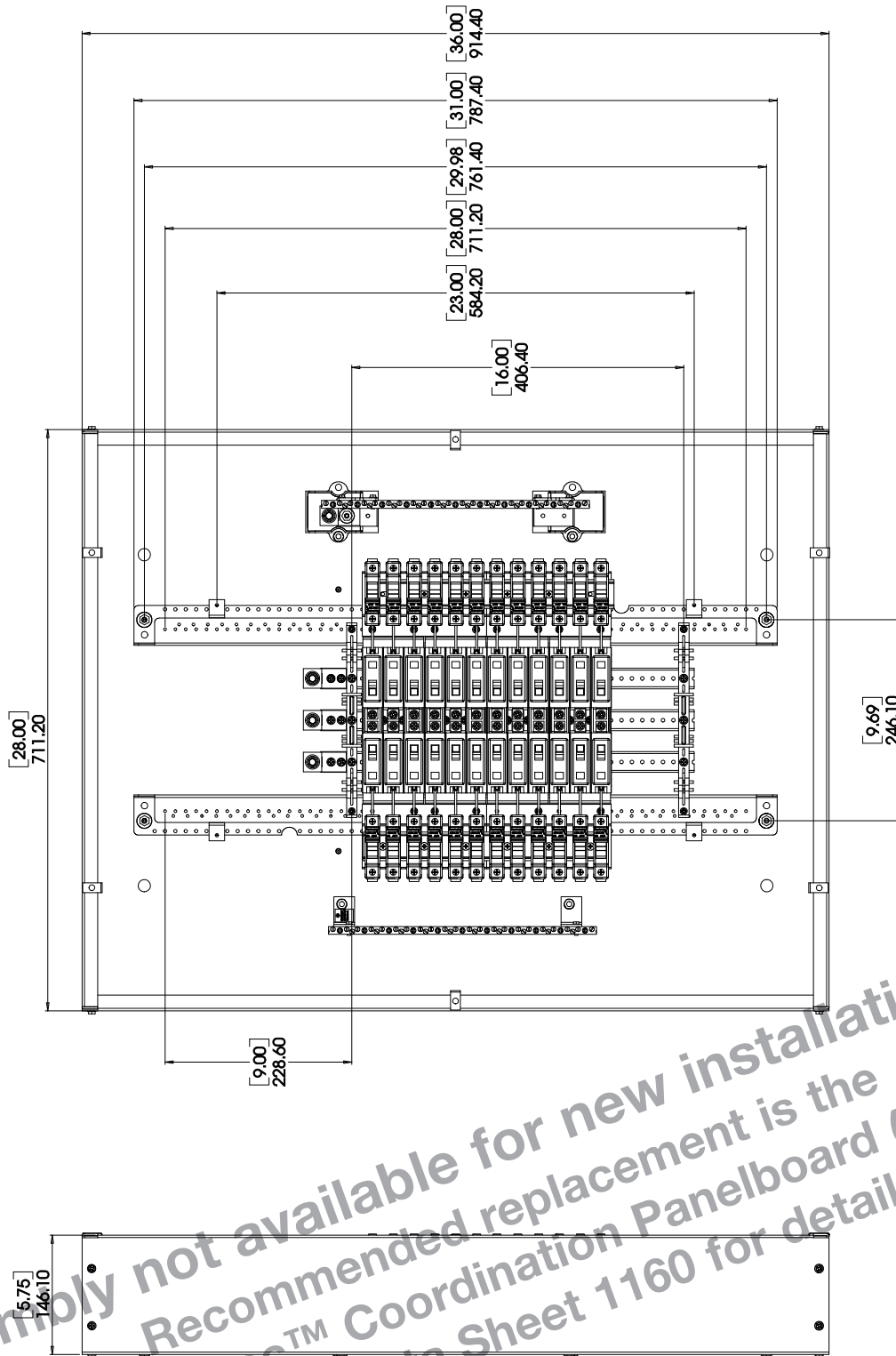
* Enclosure comes assembled with ground and neutral assemblies installed.
 ** Item Number 13 Not Shown.
 Item Number 14 Not Shown.



Fused Lighting & Appliance Panelboard

EP Series Coordination Module™

EP4M203024GCC



Assembly not available for new installations.
Recommended replacement is the
Quik-Spec™ Coordination Panelboard (QSCP).
See Data Sheet 1160 for details.

Fused Lighting & Appliance Panelboard

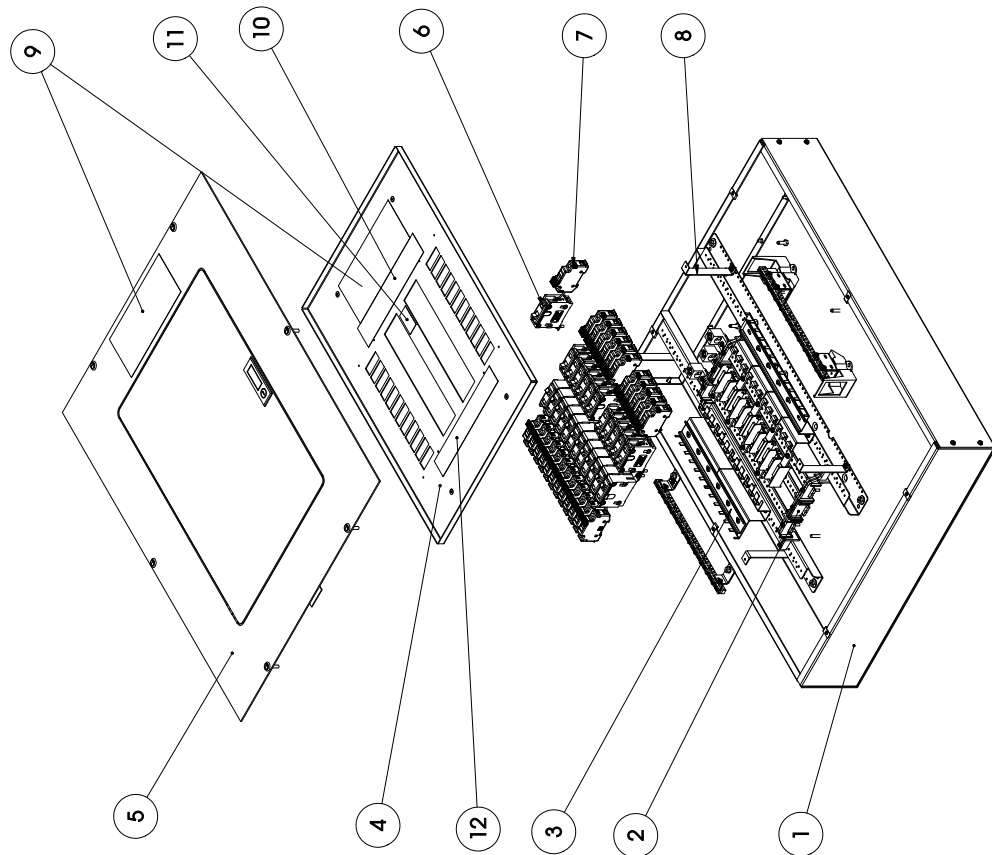
EP Series Coordination Module™

EP4M203024GCC

Assembly not available for new installations. Recommended replacement is the Quik-Spec™ Coordination Panelboard (QSCP). See Data Sheet 1160 for details.

	PART NUMBER	DESCRIPTION	QTY.
1*	YS2886	Enclosure 36x28x5.75	1
2	PL2B245L2C	central chassis sub-assy for 24 circuit	1
3	V003613	Fuse Mounting Rail	2
4	V003606	V003606 Dead Front	1
5	V003650	DOOR	1
6	GHB1030	GHB1030 Breaker	24
7	CHCC1D	Bussmann Fuse Holder	24
8	V003651	Dead Front Support	4
9	LFT00095	Bussmann Logo label	2
10	900P051H01	Rating / Warning label	1
11	267P916H01	Danger Label	1
12	LFT00096	Torque Label	1
13**	672SD1H30	Poly Bag	1
14**	V003678	Circuit Directory	1
15**	V001774	Instruction Sheet	1
16**	LFT00021	Number Label	1

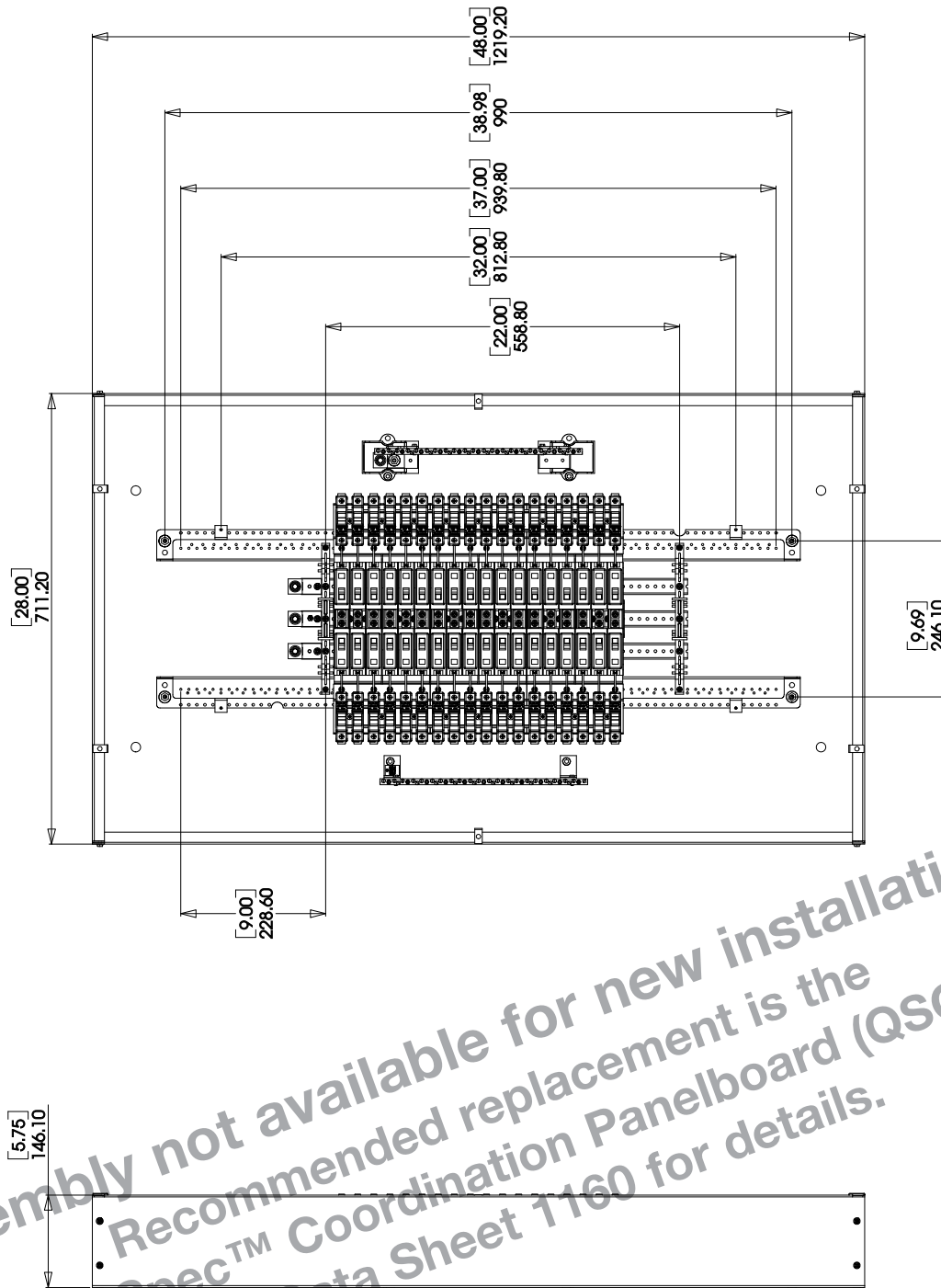
* Enclosure comes assembled with ground and neutral assemblies installed
** Items Number 14,15,16 & the keys to the door



Fused Lighting & Appliance Panelboard

EP Series Coordination Module™

EP4M203036GCC



Assembly not available for new installations.
Recommended replacement is the
Quik-Spec™ Coordination Panelboard (QSCP).
See Data Sheet 1160 for details.

Fused Lighting & Appliance Panelboard

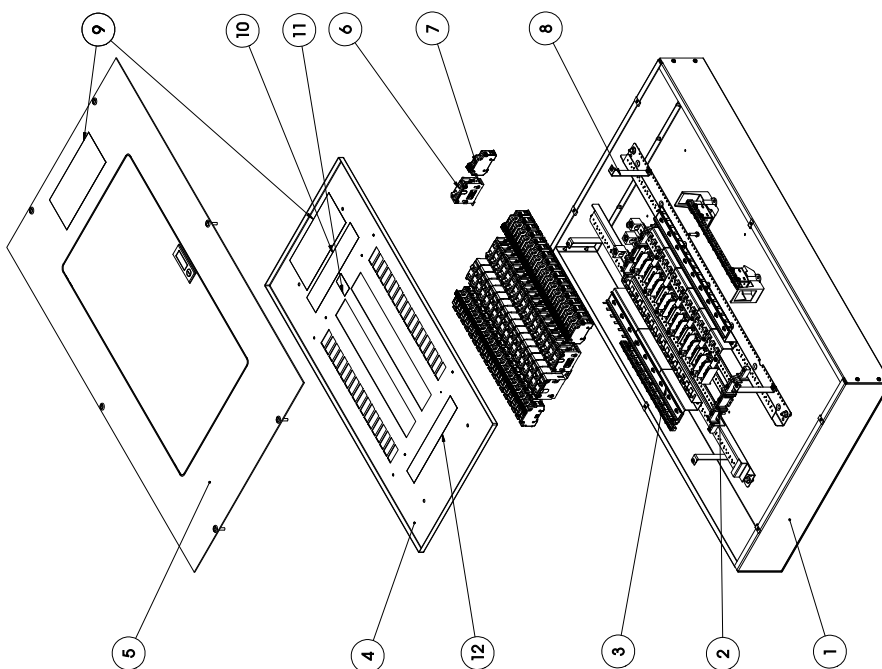
EP Series Coordination Module™

EP4M203036GCC

Assembly not available
for new installations.
Recommended replacement
is the Quik-Spec™
Coordination Panelboard (QSCP).
See Data Sheet 1160 for details.

ITEM NO.	PART NUMBER	DESCRIPTION	QTY.
1*	YS2848	Enclosure 48x28x5.75	1
2	PL2B365L2C	central chassis sub-assy for 36 circuit	1
3	V003614	Fuse holder Mounting Rail	2
4	V003607	Dead Front	1
5	V003666	DOOR Assembly	1
6	GHB1030	GHB1030 Breaker	36
7	CHCC1D	Bussmann Fuse Holder	36
8	V003651	Dead Front Support	4
9	LFT00095	Bussmann Logo Label	2
10	900P051H01	Rating/ Warning Label	1
11	267P916H01	Danger Label	1
12	LFT00096	Torque Label	1
13**	672SD1H30	Poly Bag	1
14**	V003678	Circuit Directory	1
15**	V001774	Instruction Sheet	1
16**	LFT00021	Numbers Label	1

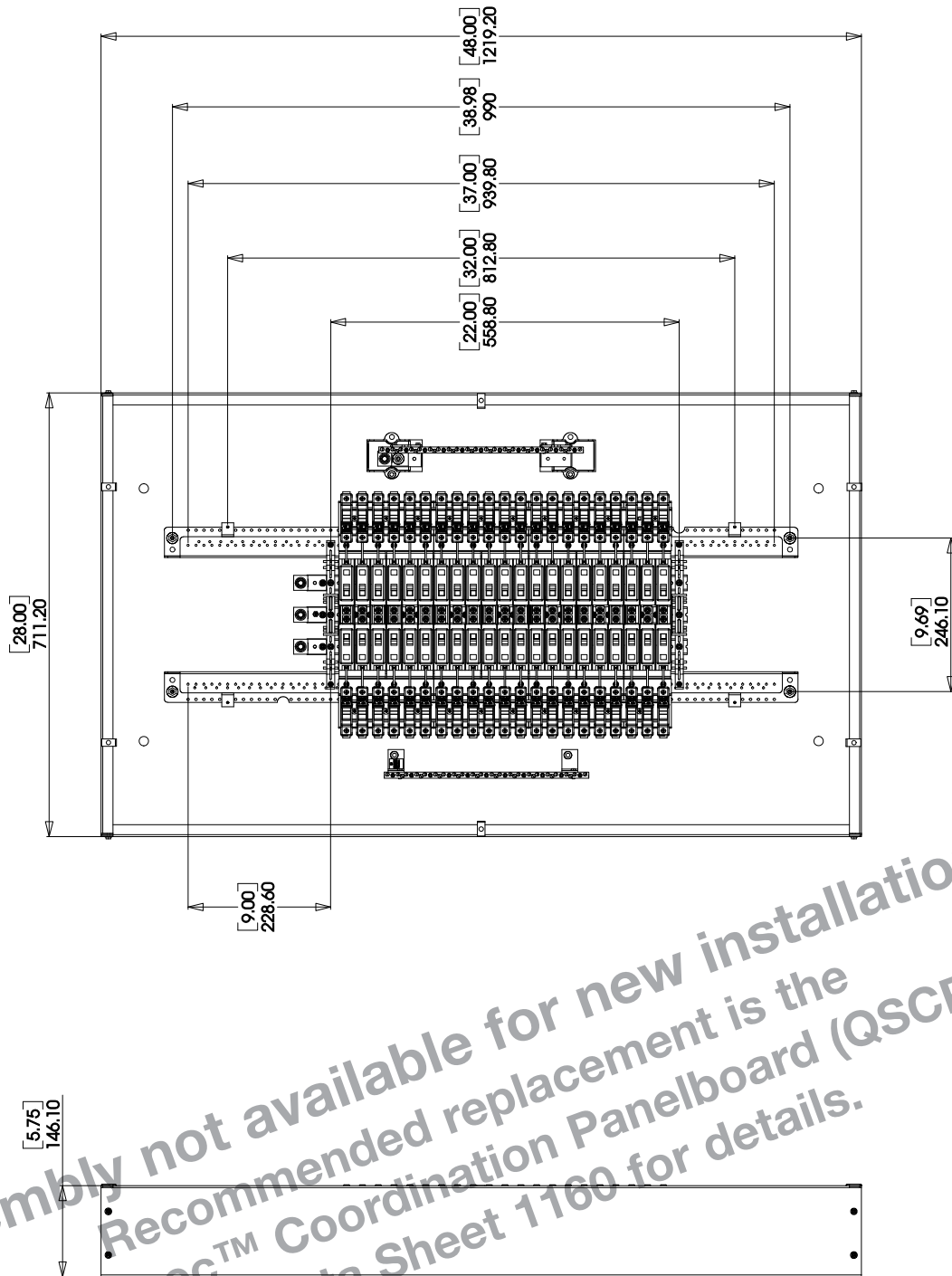
* Enclosure comes assembled with grounding and neutral assemblies installed
** Items Number 14, 15, 16 & the keys to door lock are included in the polybag
Item number 13 Not Shown



Fused Lighting & Appliance Panelboard

EP Series Coordination Module™

EP4M203042GCC



Fused Lighting & Appliance Panelboard

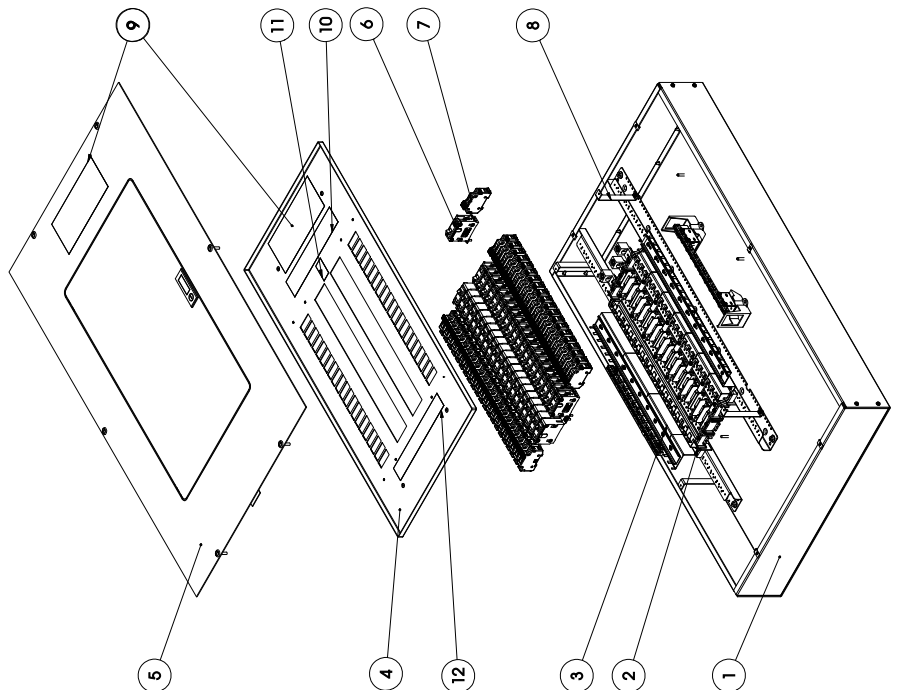
EP Series Coordination Module™

EP4M203042GCC

Assembly not available
for new installations.
Recommended replacement
is the Quik-Spec™
Coordination Panelboard (QSCP).
See Data Sheet 1160 for details.

ITEM NO.	PART NUMBER	DESCRIPTION	QTY.
1*	YS2848	Enclosure 48x28x5.75	1
2	PL2B425L2C	central chassis sub-assy for 36 circuit	1
3	V003647	Fuse holder Mounting Rail	2
4	V003608	Dead Front	1
5	V003666	DOOR Assembly	1
6	GHB1030	GHB1030 Breaker	42
7	CHCC1D	Bussmann Fuse Holder	42
8	V003651	Dead Front Support	4
9	LFT00095	Bussmann Logo Label	2
10	900P051H01	Rating/ Warning Label	1
11	267P916H01	Danger Label	1
12	LFT00096	Torque Label	1
13**	672SD1H30	Poly Bag	1
14**	V003678	Circuit Directory	1
15**	V001774	Instruction Sheet	1
16**	LFT00021	Numbers Label	1

* Enclosure comes assembled with grounding and neutral assemblies installed
 ** Items Numbered 13, 14, 15 & the keys to door lock are included in the polybag
 Item Number 13 Not Shown

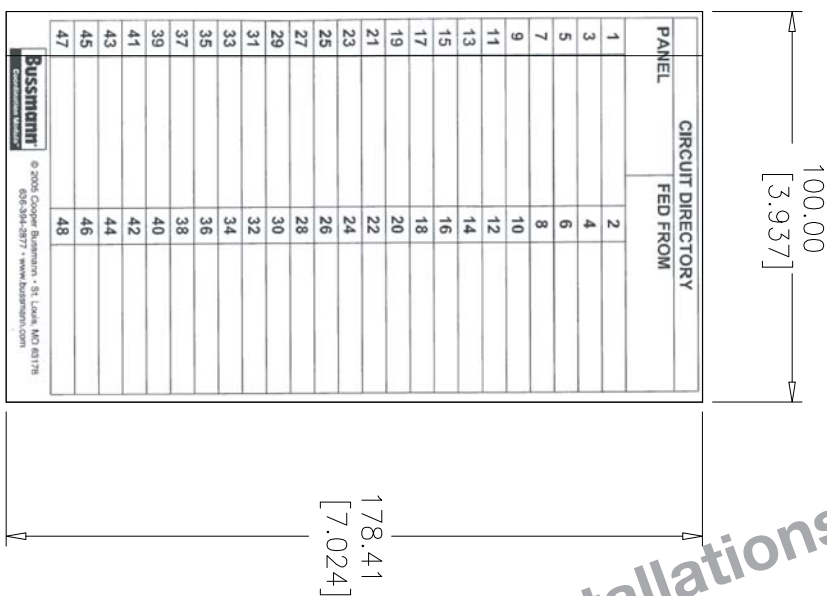


Fused Lighting & Appliance Panelboard

EP Series Coordination Module™

V003678 CIRCUIT DIRECTORY

- NOTE:
1. MATERIAL: ADHESIVE S-450 RUBBER BASE, WHITE.
 2. LABEL SIZE: 100mmX178.5mm(REF.)
 3. PRINTING COLOR: BLACK
 3. THE CONTENTS MUST COMPLY WITH LABEL SHOWED.



Assembly not available for new installations.
Recommended replacement is the
Quik-Spec™ Coordination Panelboard (QSCP).
See Data Sheet 1160 for details.

The only controlled copy of this Data Sheet is the electronic read-only version located on the Cooper Bussmann Network Drive. All other copies of this document are by definition uncontrolled. This bulletin is intended to clearly present comprehensive product data and provide technical information that will help the end user with design applications. Cooper Bussmann reserves the right, without notice, to change design or construction of any products and to discontinue or limit distribution of any products. Cooper Bussmann also reserves the right to change or update, without notice, any technical information contained in this bulletin. Once a product has been selected, it should be tested by the user in all possible applications.



Компания «ЭлектроПласт» предлагает заключение долгосрочных отношений при поставках импортных электронных компонентов на взаимовыгодных условиях!

Наши преимущества:

- Оперативные поставки широкого спектра электронных компонентов отечественного и импортного производства напрямую от производителей и с крупнейших мировых складов;
- Поставка более 17-ти миллионов наименований электронных компонентов;
- Поставка сложных, дефицитных, либо снятых с производства позиций;
- Оперативные сроки поставки под заказ (от 5 рабочих дней);
- Экспресс доставка в любую точку России;
- Техническая поддержка проекта, помощь в подборе аналогов, поставка прототипов;
- Система менеджмента качества сертифицирована по Международному стандарту ISO 9001;
- Лицензия ФСБ на осуществление работ с использованием сведений, составляющих государственную тайну;
- Поставка специализированных компонентов (Xilinx, Altera, Analog Devices, Intersil, Interpoint, Microsemi, Aeroflex, Peregrine, Syfer, Eurofarad, Texas Instrument, Miteq, Cobham, E2V, MA-COM, Hittite, Mini-Circuits, General Dynamics и др.);

Помимо этого, одним из направлений компании «ЭлектроПласт» является направление «Источники питания». Мы предлагаем Вам помощь Конструкторского отдела:

- Подбор оптимального решения, техническое обоснование при выборе компонента;
- Подбор аналогов;
- Консультации по применению компонента;
- Поставка образцов и прототипов;
- Техническая поддержка проекта;
- Защита от снятия компонента с производства.



Как с нами связаться

Телефон: 8 (812) 309 58 32 (многоканальный)

Факс: 8 (812) 320-02-42

Электронная почта: org@eplast1.ru

Адрес: 198099, г. Санкт-Петербург, ул. Калинина, дом 2, корпус 4, литера А.