

# Fused Lighting & Appliance Panelboard

## EP Series Coordination Module™



**The Cooper Bussmann® Coordination Module™ saves you time and money by making it easy to meet NEC® selective coordination requirements.**

The Cooper Bussmann Coordination Module makes it simple to achieve and verify selective coordination in a fully fused system. Utilize published fuse coordination ratios to select the correct upstream fuse rating. The ratios ensure coordination for any level of fault current, so short-circuit current studies are not required to design a selective coordinated system.

**General Information:**

- Use Low-Peak® fuses and a 2:1 ratio to easily achieve coordination
- Locate open fuses with easy/ID™ neon indicator
- Use to comply with 2008 NEC® selective coordination requirements for emergency, legally required standby and essential electrical systems per sections 700.27, 701.18, 517.26 and 708.54

**Catalog Symbol:** EP

**Voltage Ratings:** 120/208V, 120/240V, 277/480V

**Main Device Type:** MLO (200A), Main Circuit Breaker (up to 200A)

**Enclosure:** NEMA 1

**Trim:** Surface Mount

**Agency Information:** UL 67, UL 50

### Coordination Module™ Specifications

| Series       | Voltage Rating | Short-Circuit Current Rating | Dimensions              | Panel Configuration | Number of Circuits | Main Option   |
|--------------|----------------|------------------------------|-------------------------|---------------------|--------------------|---------------|
| EP2M23012GCC | 120/208V       | 100kA*                       | 28" W X 36" H X 5.75" D | 3-Phase, 4 Wire     | 12                 | Main Lug Only |
| EP2M23024GCC | 120/208V       | 100kA*                       | 28" W X 36" H X 5.75" D | 3-Phase, 4 Wire     | 24                 | Main Lug Only |
| EP2M23036GCC | 120/208V       | 100kA*                       | 28" W X 48" H X 5.75" D | 3-Phase, 4 Wire     | 36                 | Main Lug Only |
| EP2M23042GCC | 120/208V       | 100kA*                       | 28" W X 48" H X 5.75" D | 3-Phase, 4 Wire     | 42                 | Main Lug Only |
| EP2B_3012GCC | 120/240V       | 100kA*                       | 28" W X 36" H X 5.75" D | 3-Phase, 4 Wire     | 12                 | Main Breaker  |
| EP2B_3024GCC | 120/240V       | 100kA*                       | 28" W X 36" H X 5.75" D | 3-Phase, 4 Wire     | 24                 | Main Breaker  |
| EP2B_3036GCC | 120/240V       | 100kA*                       | 28" W X 48" H X 5.75" D | 3-Phase, 4 Wire     | 36                 | Main Breaker  |
| EP2B_3042GCC | 120/240V       | 100kA*                       | 28" W X 48" H X 5.75" D | 3-Phase, 4 Wire     | 42                 | Main Breaker  |
| EP3M23012GCC | 120/240V       | 100kA*                       | 28" W X 36" H X 5.75" D | 1-Phase, 3 Wire     | 12                 | Main Lug Only |
| EP3M23024GCC | 120/240V       | 100kA*                       | 28" W X 36" H X 5.75" D | 1-Phase, 3 Wire     | 24                 | Main Lug Only |
| EP3M23036GCC | 120/240V       | 100kA*                       | 28" W X 48" H X 5.75" D | 1-Phase, 3 Wire     | 36                 | Main Lug Only |
| EP3M23042GCC | 120/240V       | 100kA*                       | 28" W X 48" H X 5.75" D | 1-Phase, 3 Wire     | 42                 | Main Lug Only |
| EP3B_3012GCC | 120/240V       | 100kA*                       | 28" W X 36" H X 5.75" D | 1-Phase, 3 Wire     | 12                 | Main Breaker  |
| EP3B_3024GCC | 120/240V       | 100kA*                       | 28" W X 36" H X 5.75" D | 1-Phase, 3 Wire     | 24                 | Main Breaker  |
| EP3B_3036GCC | 120/240V       | 100kA*                       | 28" W X 48" H X 5.75" D | 1-Phase, 3 Wire     | 36                 | Main Breaker  |
| EP3B_3042GCC | 120/240V       | 100kA*                       | 28" W X 48" H X 5.75" D | 1-Phase, 3 Wire     | 42                 | Main Breaker  |
| EP4M23012GCC | 277/480V       | 100kA**                      | 28" W X 36" H X 5.75" D | 3-Phase, 4 Wire     | 12                 | Main Lug Only |
| EP4M23024GCC | 277/480V       | 100kA**                      | 28" W X 36" H X 5.75" D | 3-Phase, 4 Wire     | 24                 | Main Lug Only |
| EP4M23036GCC | 277/480V       | 100kA**                      | 28" W X 48" H X 5.75" D | 3-Phase, 4 Wire     | 36                 | Main Lug Only |
| EP4M23042GCC | 277/480V       | 100kA**                      | 28" W X 48" H X 5.75" D | 3-Phase, 4 Wire     | 42                 | Main Lug Only |
| EP4B_3012GCC | 277/480V       | 100kA**                      | 28" W X 36" H X 5.75" D | 3-Phase, 4 Wire     | 12                 | Main Breaker  |
| EP4B_3024GCC | 277/480V       | 100kA**                      | 28" W X 36" H X 5.75" D | 3-Phase, 4 Wire     | 24                 | Main Breaker  |
| EP4B_3036GCC | 277/480V       | 100kA**                      | 28" W X 48" H X 5.75" D | 3-Phase, 4 Wire     | 36                 | Main Breaker  |
| EP4B_3042GCC | 277/480V       | 100kA**                      | 28" W X 48" H X 5.75" D | 3-Phase, 4 Wire     | 42                 | Main Breaker  |

\* When protected by upstream LPN-RK 100A max, LPJ 200A max or JJN 200A max, otherwise 10kA.

\*\* When protected by upstream LPS-RK 200A max, LPJ 200A max or JJS 200A max, otherwise 14kA.

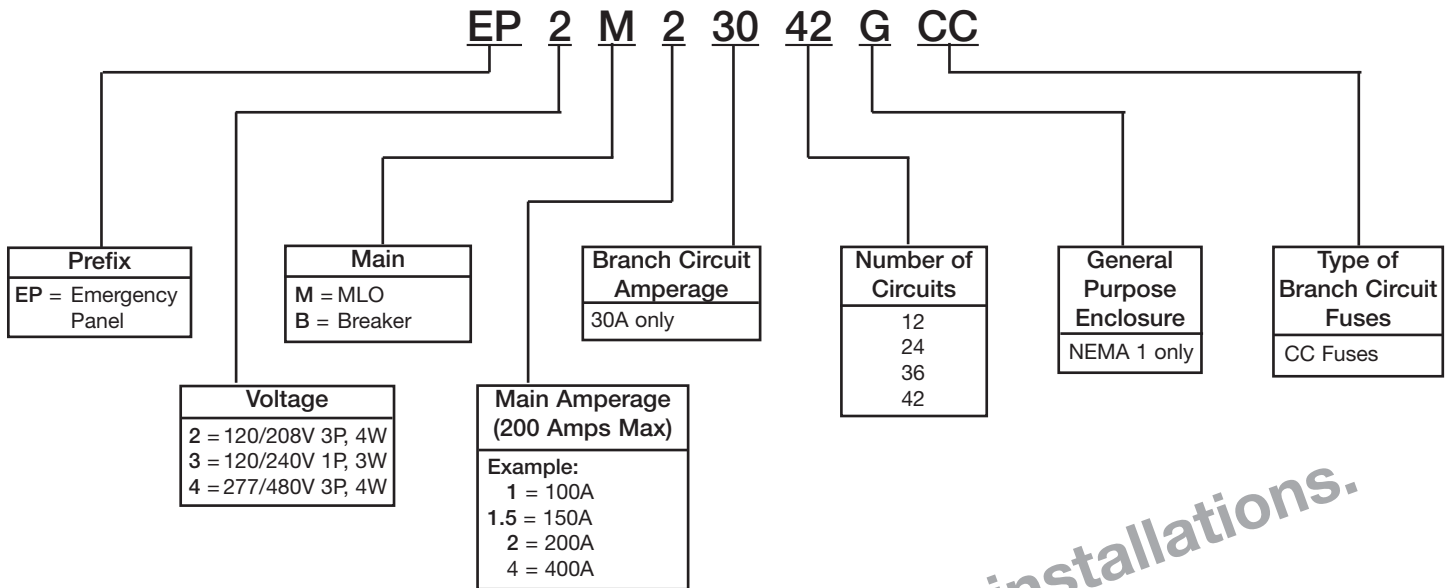
Main breaker option may impact selective coordination. Coordination must be verified analyzing time current curves and available current.

Feed through lugs available upon request

# Fused Lighting & Appliance Panelboard

## EP Series Coordination Module™

### Coordination Module™ Catalog Numbering System



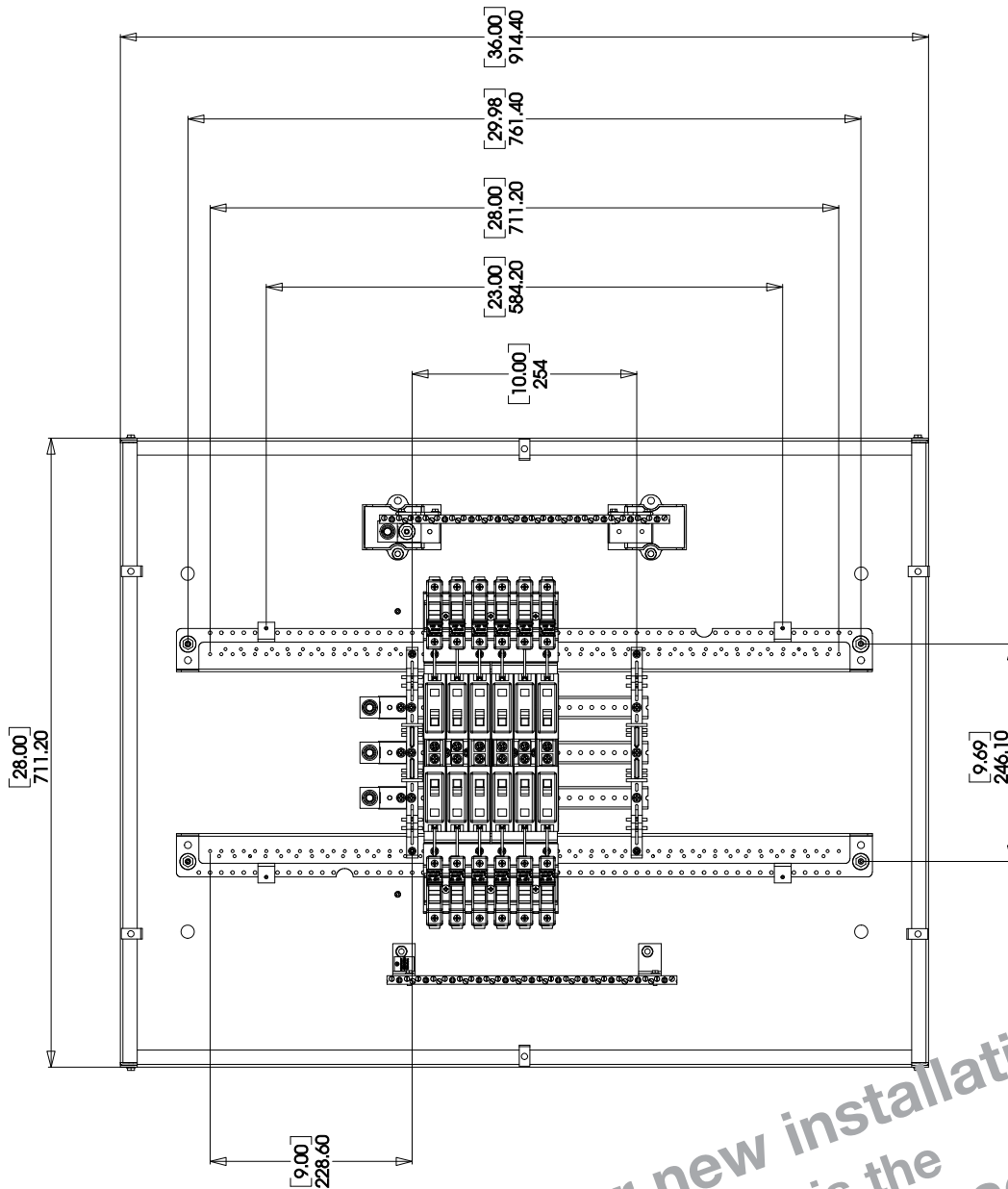
*Assembly not available for new installations.  
Recommended replacement is the  
Quik-Spec™ Coordination Panelboard (QSCP).  
See Data Sheet 1160 for details.*

The only controlled copy of this Data Sheet is the electronic read-only version located on the Cooper Bussmann Network Drive. All other copies of this document are by definition uncontrolled. This bulletin is intended to clearly present comprehensive product data and provide technical information that will help the end user with design applications. Cooper Bussmann reserves the right, without notice, to change design or construction of any products and to discontinue or limit distribution of any products. Cooper Bussmann also reserves the right to change or update, without notice, any technical information contained in this bulletin. Once a product has been selected, it should be tested by the user in all possible applications.

# Fused Lighting & Appliance Panelboard

## EP Series Coordination Module™

**EPM203012GCC**



Assembly not available for new installations.  
Recommended replacement is the  
Quik-Spec™ Coordination Panelboard (QSCP).  
See Data Sheet 1160 for details.

# Fused Lighting & Appliance Panelboard

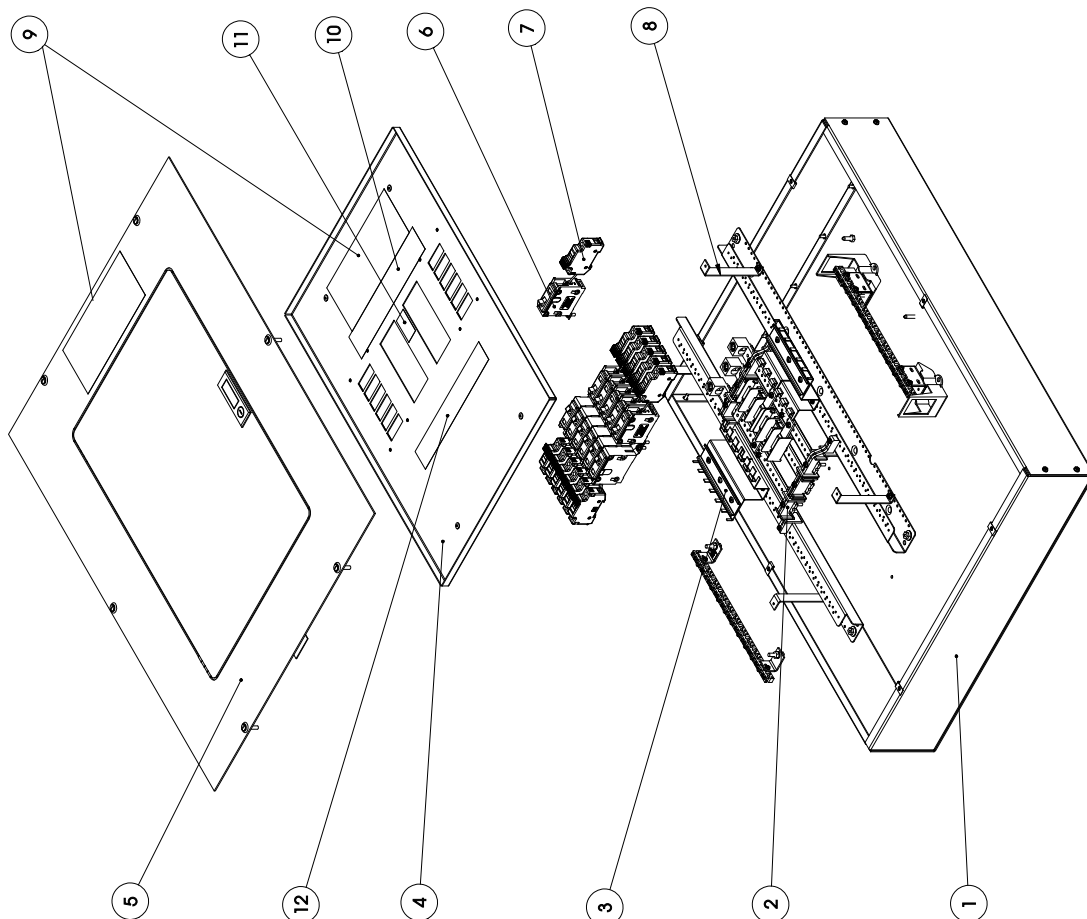
## EP Series Coordination Module™

**EP2M03012GCC**

Assembly not available  
for new installations.  
Recommended replacement  
is the Quik-Spec™  
Coordination Panelboard (QSCP).  
See Data Sheet 1160 for details.

| ITEM NO. | PART NUMBER | DESCRIPTION              | QTY. |
|----------|-------------|--------------------------|------|
| 1*       | YS2836      | Enclosure 36728"x6.75"   | 1    |
| 2        | PL1B124L2C  | central chassis sub-assy | 1    |
| 3        | V003612     | Fuse Holder Mounting     | 2    |
| 4        | V003648     | Dead Front               | 1    |
| 5        | V003650     | Door Assembly            | 1    |
| 6        | BA91030     | BAB1030 Breaker          | 12   |
| 7        | CHCC1D      | Bussmann Fuse Holder     | 12   |
| 8        | V003651     | Dead Front Support       | 4    |
| 9        | LFT00095    | Bussmann Logo Label      | 2    |
| 10       | 900P061H01  | Rating/Warning Label     | 1    |
| 11       | 267P916H01  | Danger Label             | 1    |
| 12       | LFT00096    | Torque Label             | 1    |
| 13**     | 672SD1H30   | Poly Bag                 | 1    |
| 14**     | V003678     | Circuit Directory        | 1    |
| 15**     | V001774     | Instruction Sheet        | 1    |
| 16**     | LFT00021    | Numbers Label            | 1    |

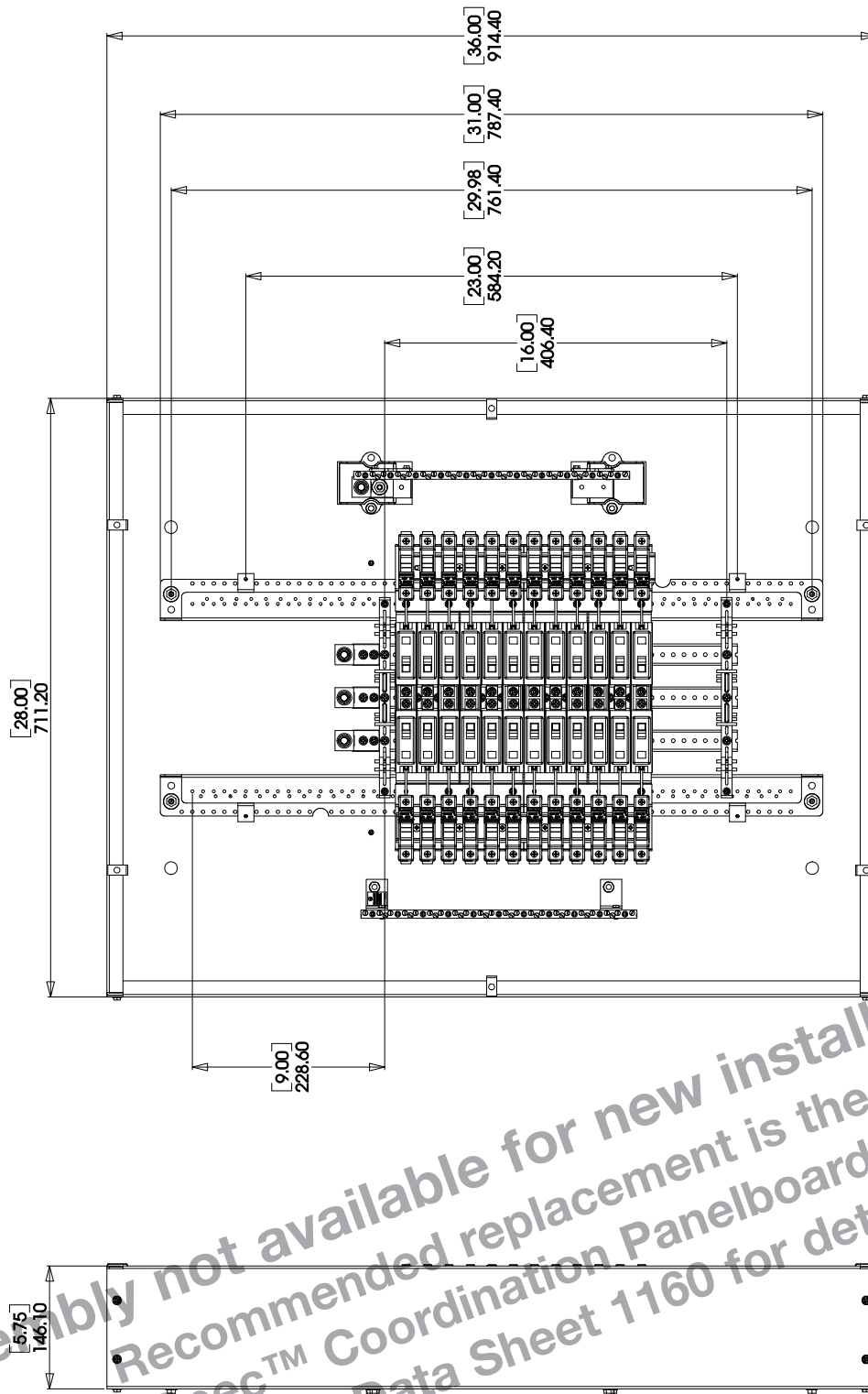
\* Enclosure comes assembled with grounding and neutral assemblies installed  
\*\* Polybag item number 13 NOT SHOWN  
\*\*\* Polybag item number 14 NOT SHOWN



# Fused Lighting & Appliance Panelboard

## EP Series Coordination Module™

EP2M203024GCC



Assembly not available for new installations.  
Recommended replacement is the  
Quik-Spec™ Coordination Panelboard (QSCP).  
See Data Sheet 1160 for details.

# Fused Lighting & Appliance Panelboard

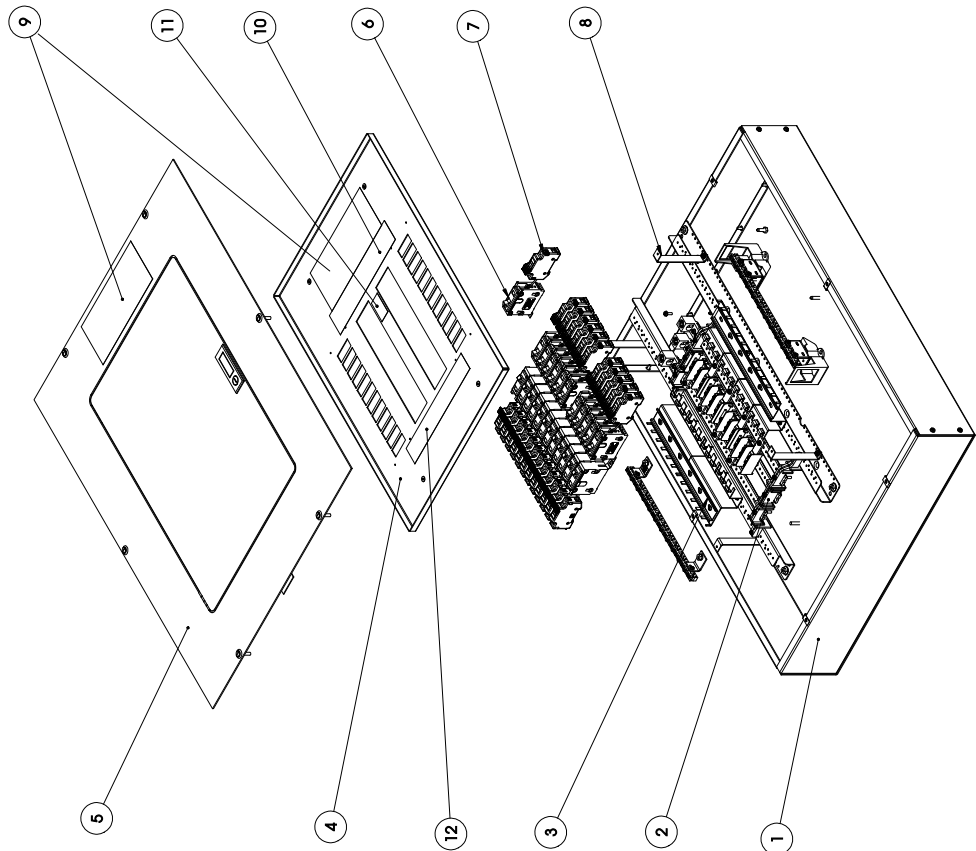
## EP Series Coordination Module™

**EP2M203024GCC**

Assembly not available  
for new installations.  
Recommended replacement  
is the Quik-Spec™  
Coordination Panelboard (QSCP).  
See Data Sheet 1160 for details.

| ITEM NO. | PART NUMBER | DESCRIPTION                             | QTY. |
|----------|-------------|---|------|
| 1*       | YS2836      | Enclosure 36x28x6.75                    | 1    |
| 2        | PL1B244L2C  | central chassis sub-assy for 24 circuit | 1    |
| 3        | V003613     | Fuse Holder Mounting                    | 2    |
| 4        | V003565     | V003565 Dead Front                      | 1    |
| 5        | V003550     | Door                                    | 1    |
| 6        | BAB1030     | BAB1030 Breaker                         | 24   |
| 7        | CHCC1D      | Bussmann Fuse Holder                    | 24   |
| 8        | V003551     | Dead Front Support                      | 4    |
| 9        | LFT00095    | Bussmann Logo Label                     | 2    |
| 10       | 900P051H01  | Rating / Warning Label                  | 1    |
| 11       | 267P916H01  | Danger Label                            | 1    |
| 12       | LFT00096    | Torque Label                            | 1    |
| 13**     | 672SD1H30   | Poly Bag                                | 1    |
| 14**     | V003678     | Circuit Directory                       | 1    |
| 15**     | V001774     | Instruction Sheet                       | 1    |
| 16**     | LFT00021    | Numbers Label                           | 1    |

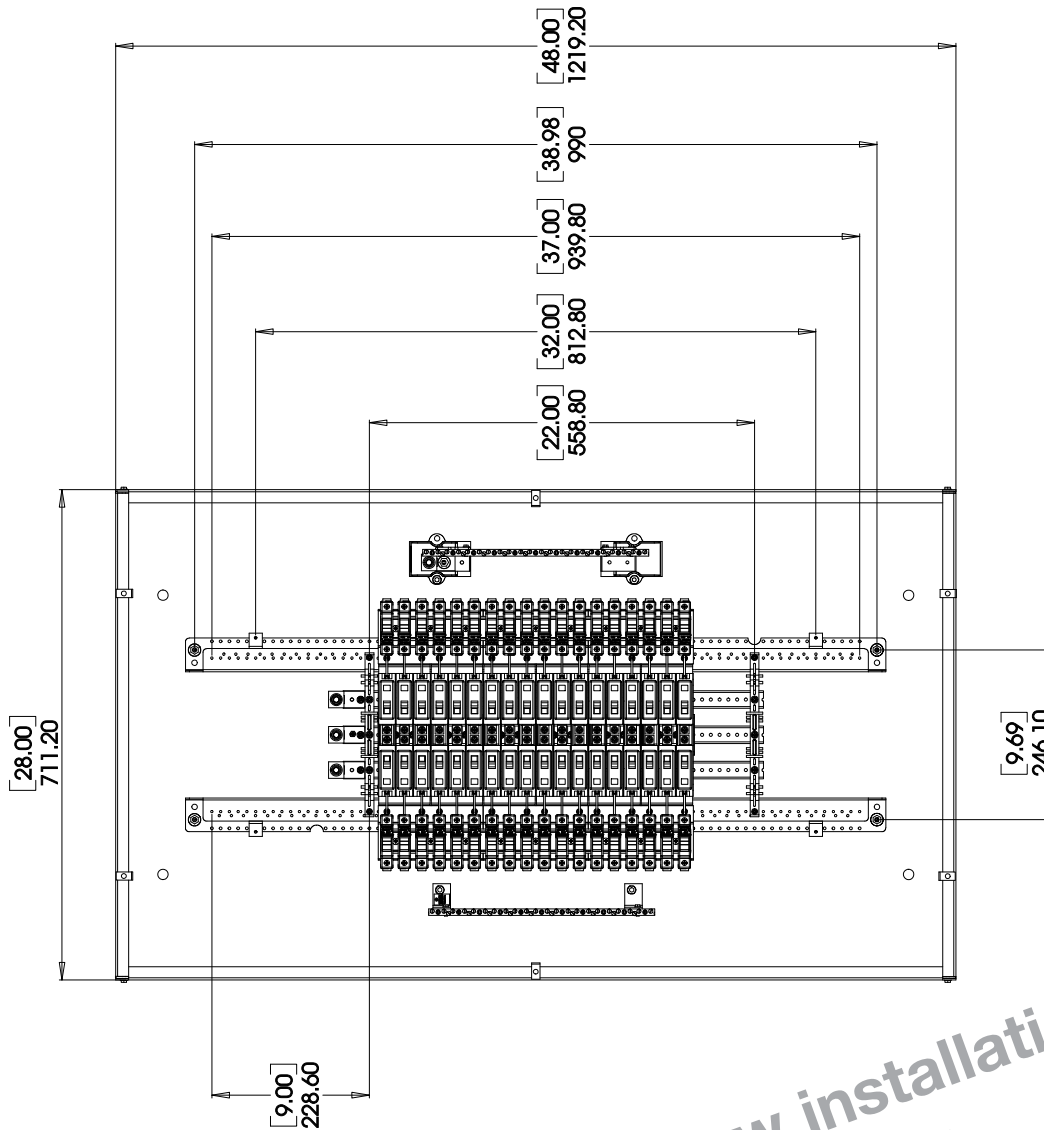
\* Enclosure comes assembled with grounding and assemblies installed  
\*\* Items Number 14, 15, 16 & the keys to the door lock are included in the Polybag  
Item number 13 Not Shown.



# Fused Lighting & Appliance Panelboard

## EP Series Coordination Module™

EP2M203036GCC



Assembly not available for new installations.  
 Recommended replacement is the  
 Quik-Spec™ Coordination Panelboard (QSCP).  
 See Data Sheet 1160 for details.

# Fused Lighting & Appliance Panelboard

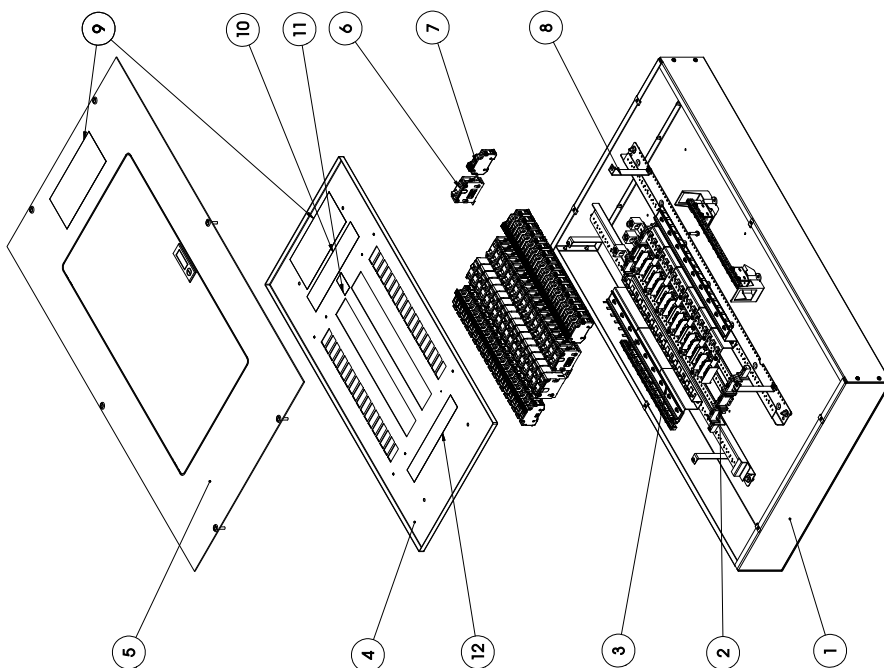
## EP Series Coordination Module™

EP2M203036GCC

Assembly not available  
for new installations.  
Recommended replacement  
is the Quik-Spec™  
Coordination Panelboard (QSCP).  
See Data Sheet 1160 for details.

| ITEM NO. | PART NUMBER | DESCRIPTION                              | QTY. |
|----------|-------------|--|------|
| 1*       | YS2848      | Enclosure 48x26x5.75                     | 1    |
| 2        | PL1B364L2C  | central chassis sub-cassy for 36 circuit | 1    |
| 3        | V003614     | Fuse holder Mounting Rail                | 2    |
| 4        | V003567     | Dead Front                               | 1    |
| 5        | V003566     | DOOR Assembly                            | 1    |
| 6        | BAB1030     | BAB1030 Breaker                          | 36   |
| 7        | CHCC1D      | Bussmann Fuse Holder                     | 36   |
| 8        | V003551     | Dead Front Support                       | 4    |
| 9        | LFT00095    | Bussmann Logo Label                      | 2    |
| 10       | 900P051H01  | Rafting/ Warning Label                   | 1    |
| 11       | 267P916H01  | Danger Label                             | 1    |
| 12       | LFT00096    | Torque Label                             | 1    |
| 13**     | 672SD1H30   | Poly Bag                                 | 1    |
| 14**     | V003678     | Circuit Directory                        | 1    |
| 15**     | V001774     | Instruction Sheet                        | 1    |
| 16**     | LFT00021    | Numbers Label                            | 1    |

\* Enclosure comes assembled with grounding and neutral assemblies installed  
\*\* Items Number 14, 15, 16 & the keys to door lock are included in the polybag  
Item number 13 Not Shown

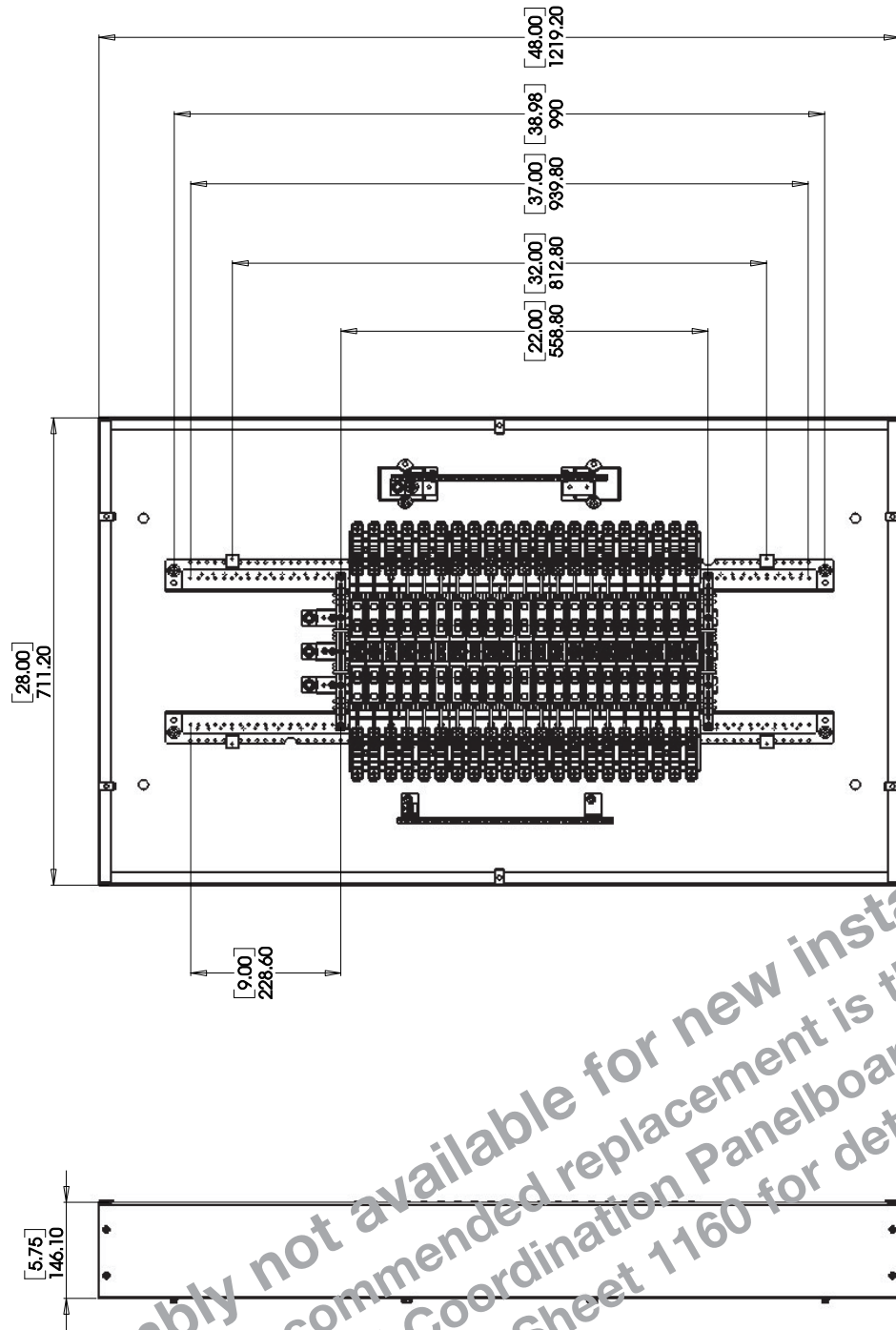




# Fused Lighting & Appliance Panelboard

## EP Series Coordination Module™

EP2M203042GCC



Assembly not available for new installations.  
Recommended replacement is the  
Quik-Spec™ Coordination Panelboard (QSCP).  
See Data Sheet 1160 for details.

# Fused Lighting & Appliance Panelboard

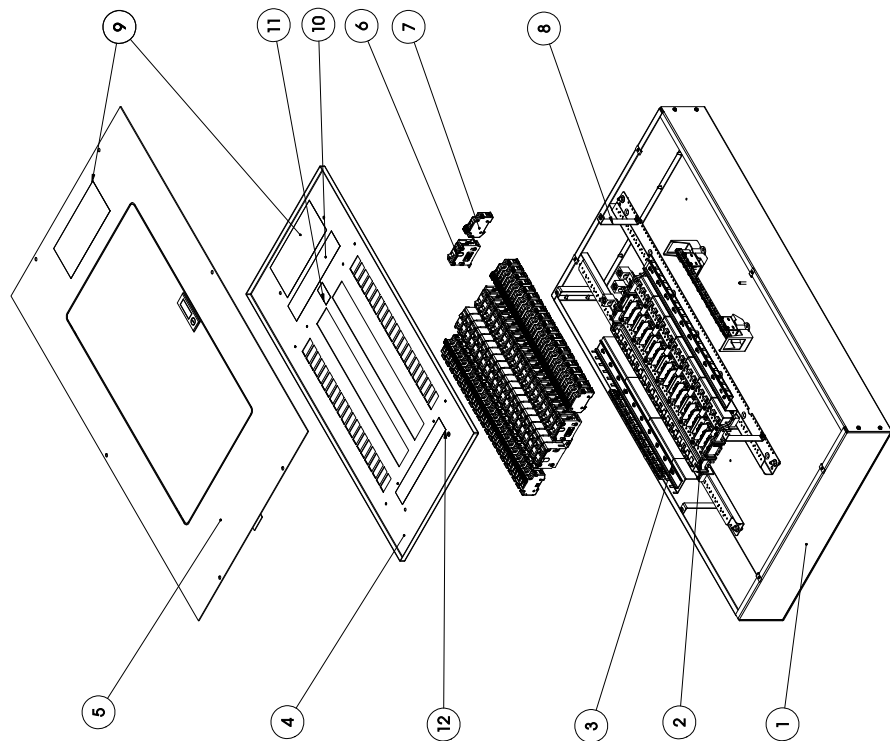
## EP Series Coordination Module™

**EP2M203042GCC**

Assembly not available  
for new installations.  
Recommended replacement  
is the Quik-Spec™  
Coordination Panelboard (QSCP).  
See Data Sheet 1160 for details.

| ITEM NO. | PART NUMBER | DESCRIPTION                             | QTY. |
|----------|-------------|---|------|
| 1*       | YS2848      | Enclosure 48x28x5.75                    | 1    |
| 2        | PL1B424L2C  | central chassis sub-assy for 36 circuit | 1    |
| 3        | V003547     | Fuse holder Mounting Rail               | 2    |
| 4        | V003568     | Dead Front                              | 1    |
| 5        | V003566     | DOOR Assembly                           | 1    |
| 6        | BAB1030     | BAB1030 Breaker                         | 42   |
| 7        | CHCC1D      | Bussmann Fuse Holder                    | 42   |
| 8        | V003551     | Dead Front Support                      | 4    |
| 9        | LFT00095    | Bussmann Logo Label                     | 2    |
| 10       | 900P051H01  | Rating/ Warning Label                   | 1    |
| 11       | 267P916H01  | Danger Label                            | 1    |
| 12       | LFT00096    | Torque Label                            | 1    |
| 13**     | 6725D1H30   | Poly Bag                                | 1    |
| 14**     | V003678     | Circuit Directory                       | 1    |
| 15**     | V001774     | Instruction Sheet                       | 1    |
| 16**     | LFT00021    | Numbers Label                           | 1    |

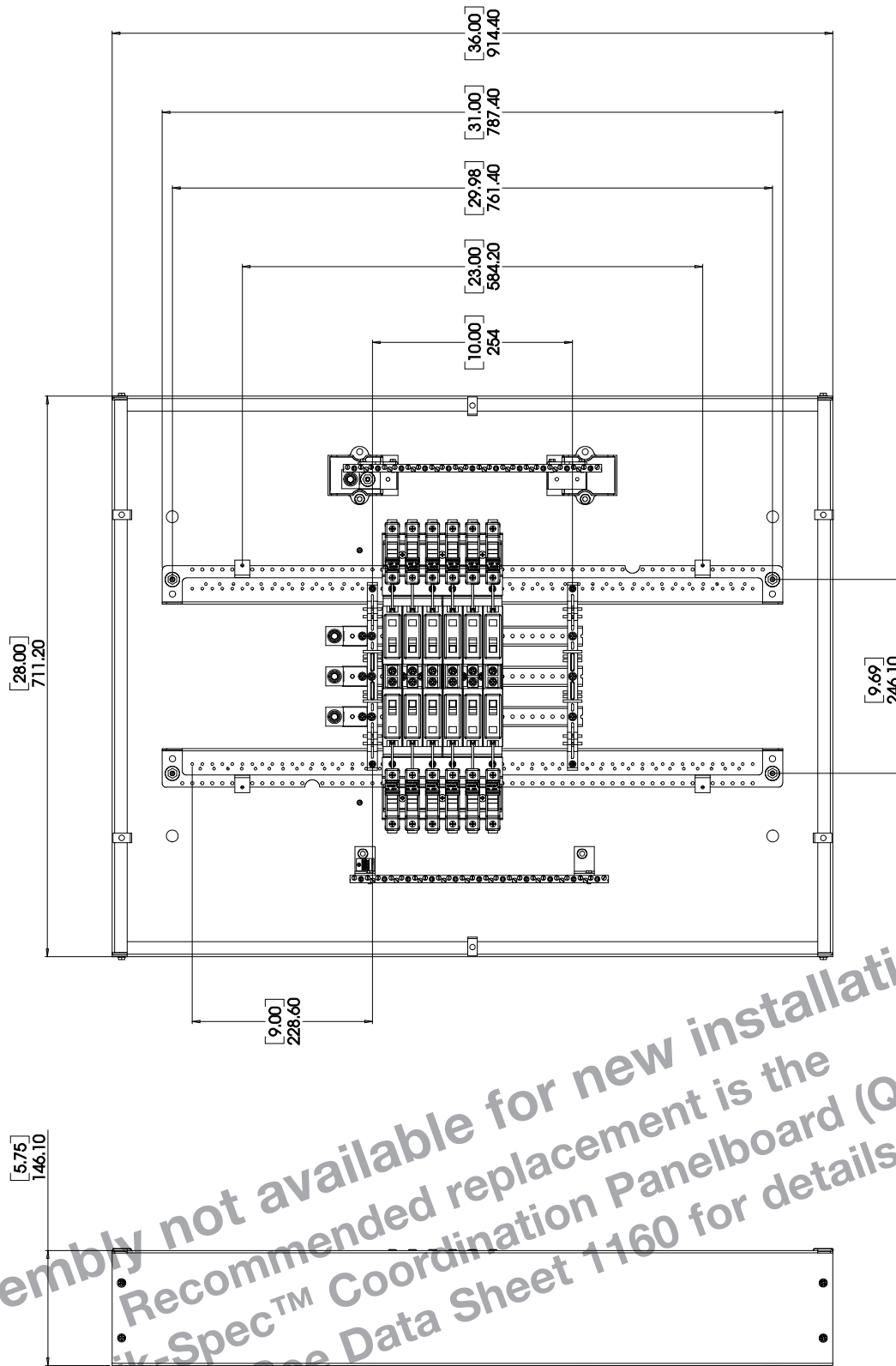
\* Enclosure comes assembled with grounding and neutral assemblies installed  
\*\* Items Number 14, 15, 16 & the keys to door lock are included in the polybag  
Item number 13 Not Shown



# Fused Lighting & Appliance Panelboard

## EP Series Coordination Module™

EP4M203012GCC



Assembly not available for new installations.  
Recommended replacement is the  
Quik-Spec™ Coordination Panelboard (QSCP).  
See Data Sheet 1160 for details.

# Fused Lighting & Appliance Panelboard

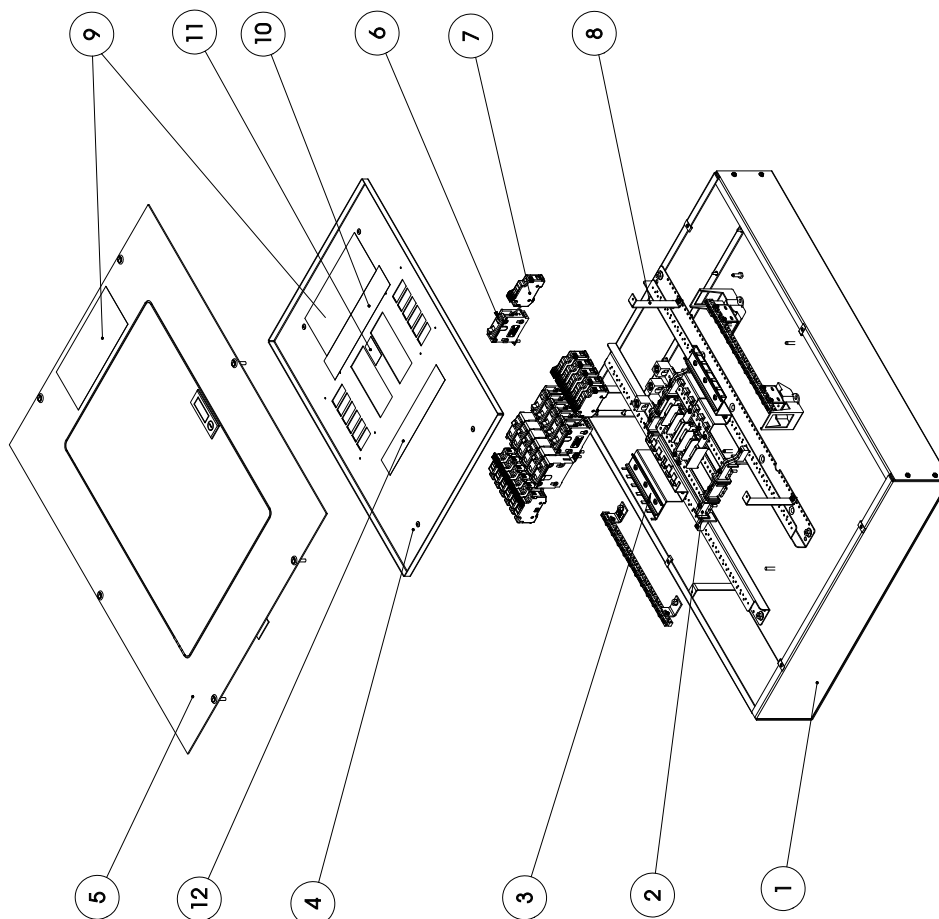
## EP Series Coordination Module™

### EP4M203012GCC

Assembly not available  
for new installations.  
Recommended replacement  
is the Quik-Spec™  
Coordination Panelboard (QSCP).  
See Data Sheet 1160 for details.

| ITEM NO. | PART NUMBER | DESCRIPTION             | QTY. |
|----------|-------------|-------------------------|------|
| 1*       | YS2834      | Enclosure, 3/2-20x45/75 | 1    |
| 2        | PLB125L2C   | Control Switch Sub      | 1    |
| 3        | VO26212     | Fuse Mounting Rail      | 2    |
| 4        | VO26205     | Dead Front              | 1    |
| 5        | VO26260     | Door                    | 1    |
| 6        | GH1050      | GH1050 Breaker          | 12   |
| 7        | CHCC1D      | Bussmann Fuse Holder    | 12   |
| 8        | VO26261     | Dead Front Support      | 4    |
| 9        | LF100095    | Bussmann Logo Label     | 2    |
| 10       | 90P061H01   | Rating / Warning Label  | 1    |
| 11       | 20P910H01   | Danger Label            | 1    |
| 12       | LF100096    | Logo Label              | 1    |
| 13**     | LF100098    | Terminal Label          | 1    |
| 14**     | VO26278     | Circuit Directory       | 1    |
| 15**     | VO01774     | Instruction Sheet       | 1    |
| 16**     | LF100092    | Number Label            | 1    |

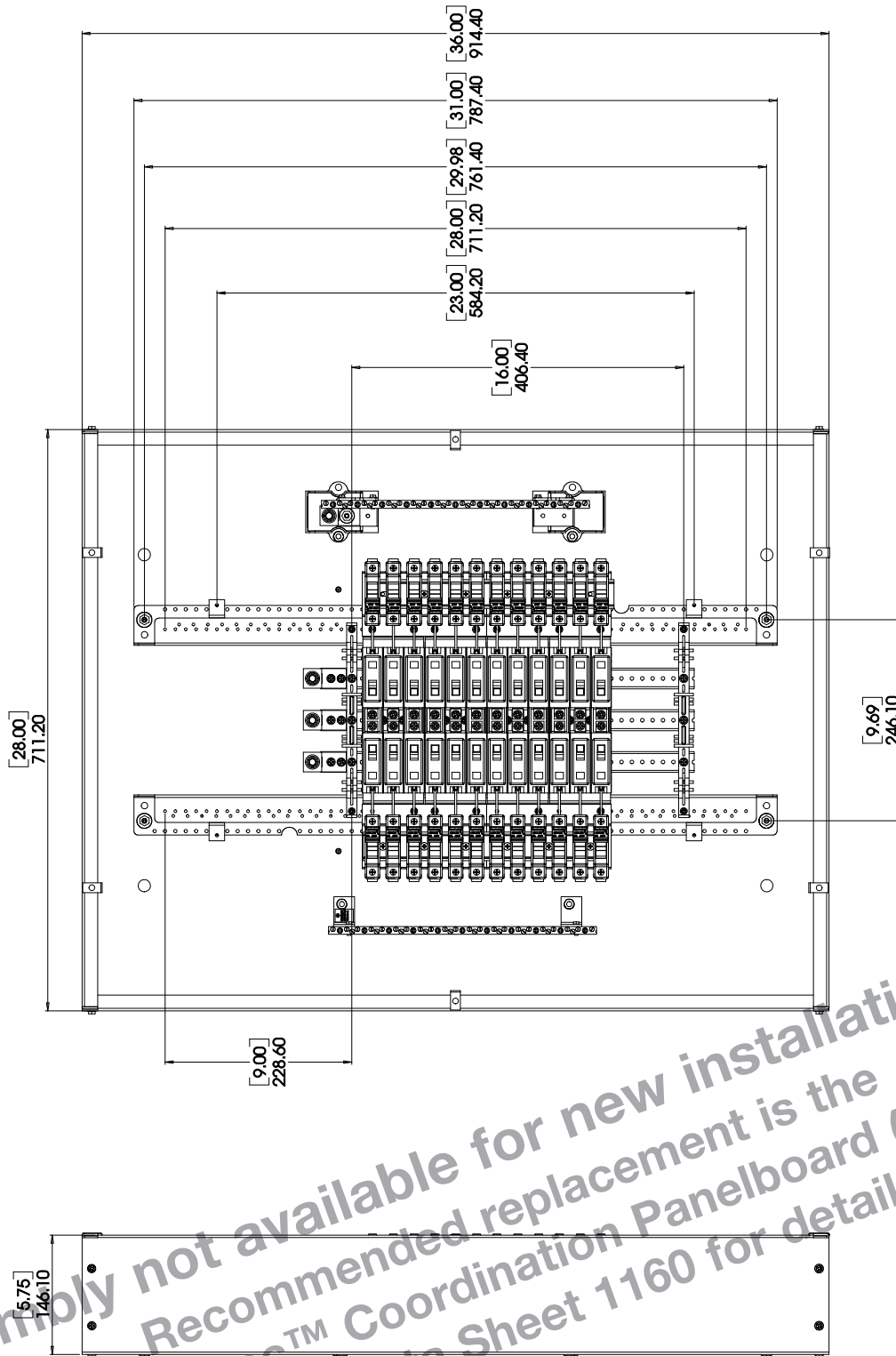
\* Enclosure comes assembled with ground and neutral assemblies installed.  
\*\* Item Number 13 Not Shown.  
\*\*\* Item Number 14 Not Shown.



# Fused Lighting & Appliance Panelboard

## EP Series Coordination Module™

EP4M203024GCC



Assembly not available for new installations.  
Recommended replacement is the  
Quik-Spec™ Coordination Panelboard (QSCP).  
See Data Sheet 1160 for details.

# Fused Lighting & Appliance Panelboard

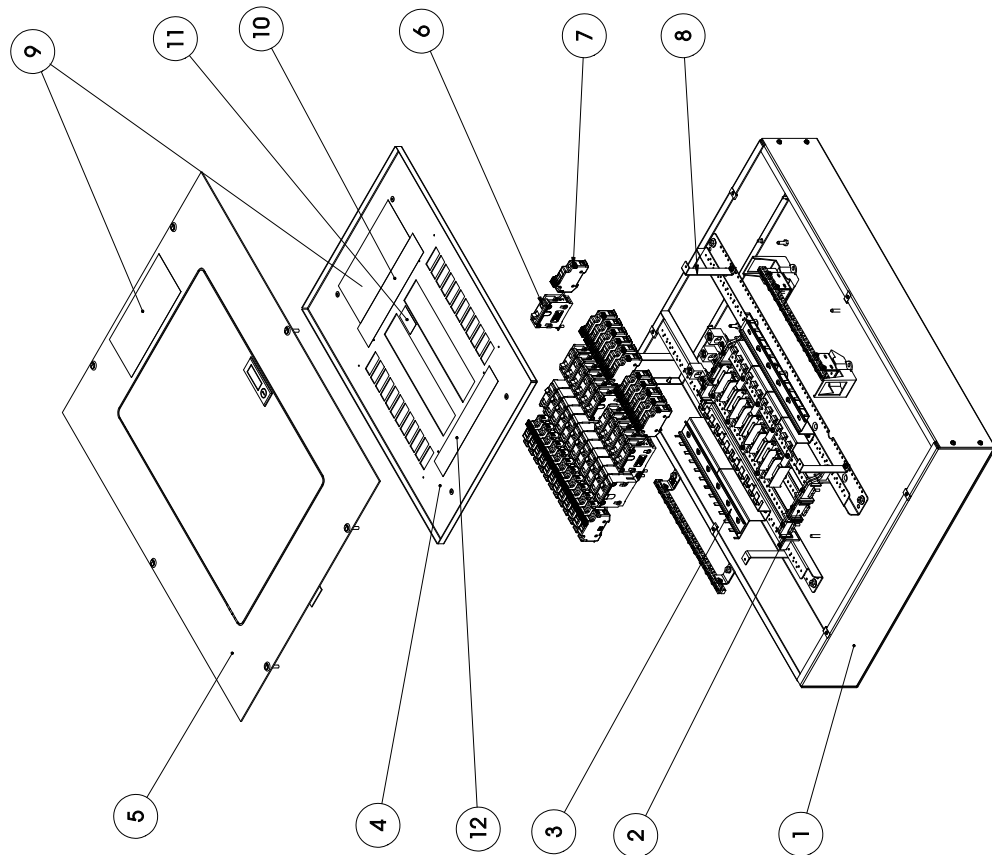
## EP Series Coordination Module™

### EP4M203024GCC

Assembly not available for new installations. Recommended replacement is the Quik-Spec™ Coordination Panelboard (QSCP). See Data Sheet 1160 for details.

|      | PART NUMBER | DESCRIPTION                             | QTY. |
|------|-------------|---|------|
| 1*   | YS2836      | Enclosure 36x28x5.75                    | 1    |
| 2    | PL2B245L2C  | central chassis sub-assy for 24 circuit | 1    |
| 3    | V003613     | Fuse Mounting Rail                      | 2    |
| 4    | V003606     | V003606 Dead Front                      | 1    |
| 5    | V003650     | DOOR                                    | 1    |
| 6    | GHB1030     | GHB1030 Breaker                         | 24   |
| 7    | CHCC1D      | Bussmann Fuse Holder                    | 24   |
| 8    | V003651     | Dead Front Support                      | 4    |
| 9    | LFT00095    | Bussmann Logo label                     | 2    |
| 10   | 900P051H01  | Rating / Warning label                  | 1    |
| 11   | 267P916H01  | Danger Label                            | 1    |
| 12   | LFT00096    | Torque Label                            | 1    |
| 13** | 672SD1H30   | Poly Bag                                | 1    |
| 14** | V003678     | Circuit Directory                       | 1    |
| 15** | V001774     | Instruction Sheet                       | 1    |
| 16** | LFT00021    | Number Label                            | 1    |

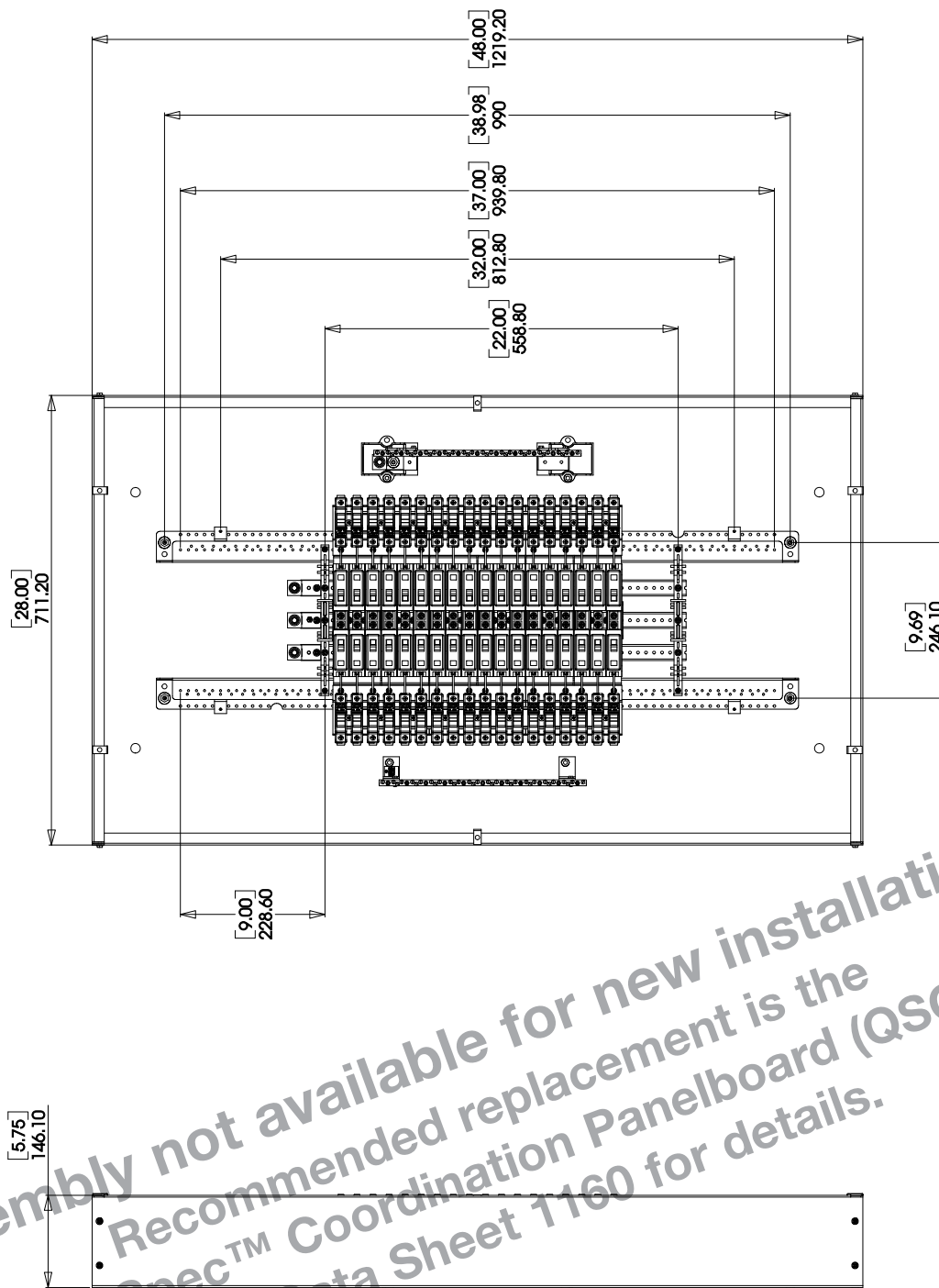
\* Enclosure comes assembled with ground and neutral assemblies installed  
\*\* Items Number 14,15,16 & the keys to the door



# Fused Lighting & Appliance Panelboard

## EP Series Coordination Module™

EP4M203036GCC



Assembly not available for new installations.  
Recommended replacement is the  
Quik-Spec™ Coordination Panelboard (QSCP).  
See Data Sheet 1160 for details.

# Fused Lighting & Appliance Panelboard

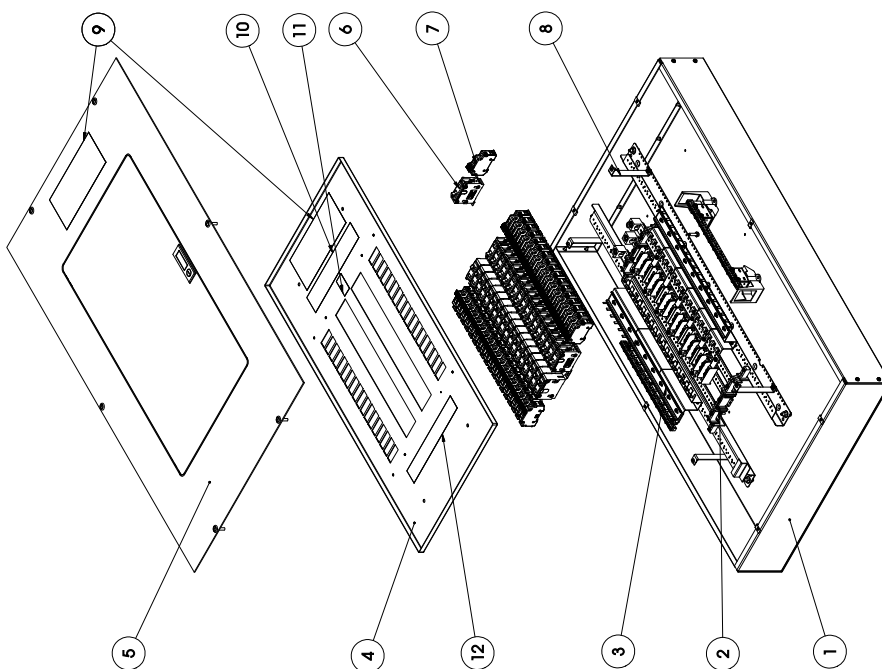
## EP Series Coordination Module™

**EP4M203036GCC**

Assembly not available  
for new installations.  
Recommended replacement  
is the Quik-Spec™  
Coordination Panelboard (QSCP).  
See Data Sheet 1160 for details.

| ITEM NO. | PART NUMBER | DESCRIPTION                             | QTY. |
|----------|-------------|---|------|
| 1*       | YS2848      | Enclosure 48x28x5.75                    | 1    |
| 2        | PL2B365L2C  | central chassis sub-assy for 36 circuit | 1    |
| 3        | V003614     | Fuse holder Mounting Rail               | 2    |
| 4        | V003607     | Dead Front                              | 1    |
| 5        | V003666     | DOOR Assembly                           | 1    |
| 6        | GHB1030     | GHB1030 Breaker                         | 36   |
| 7        | CHCC1D      | Bussmann Fuse Holder                    | 36   |
| 8        | V003651     | Dead Front Support                      | 4    |
| 9        | LFT00095    | Bussmann Logo Label                     | 2    |
| 10       | 900P051H01  | Rating/ Warning Label                   | 1    |
| 11       | 267P916H01  | Danger Label                            | 1    |
| 12       | LFT00096    | Torque Label                            | 1    |
| 13**     | 672SD1H30   | Poly Bag                                | 1    |
| 14**     | V003678     | Circuit Directory                       | 1    |
| 15**     | V001774     | Instruction Sheet                       | 1    |
| 16**     | LFT00021    | Numbers Label                           | 1    |

\* Enclosure comes assembled with grounding and neutral assemblies installed  
\*\* Items Number 14, 15, 16 & the keys to door lock are included in the polybag  
Item number 13 Not Shown

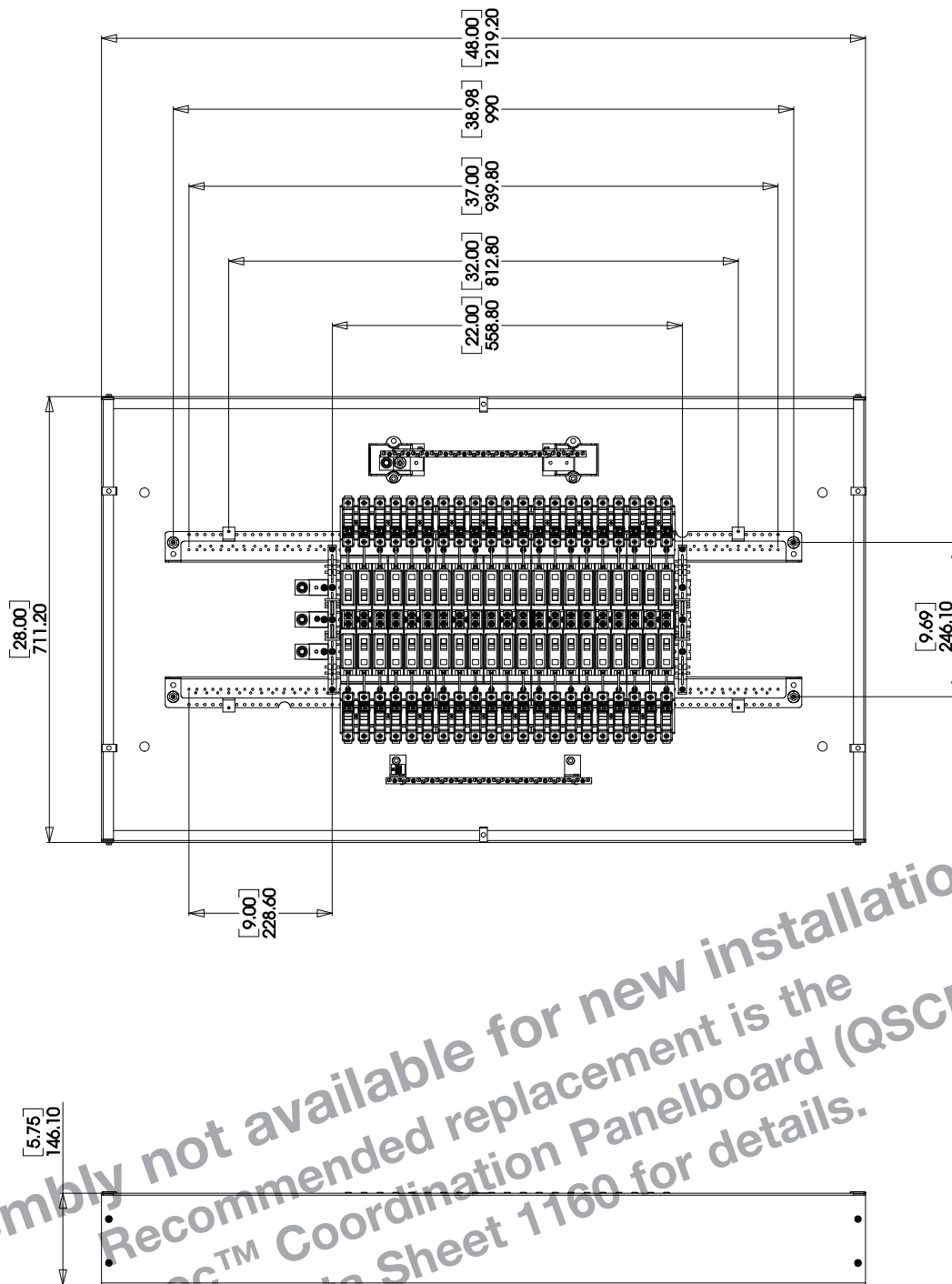




# Fused Lighting & Appliance Panelboard

## EP Series Coordination Module™

### EP4M203042GCC



# Fused Lighting & Appliance Panelboard

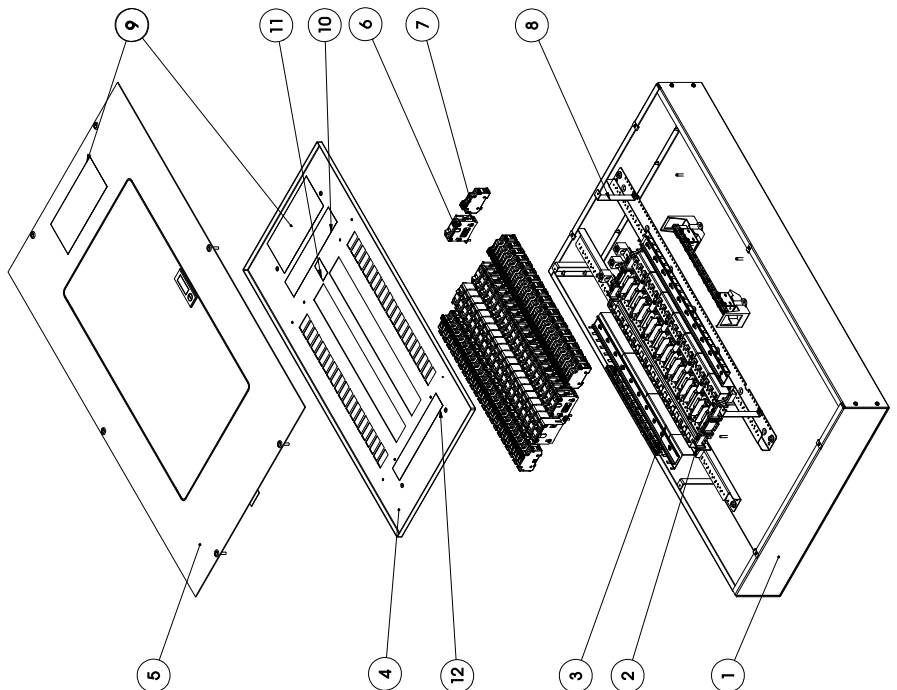
## EP Series Coordination Module™

EP4M203042GCC

Assembly not available  
for new installations.  
Recommended replacement  
is the Quik-Spec™  
Coordination Panelboard (QSCP).  
See Data Sheet 1160 for details.

| ITEM NO. | PART NUMBER | DESCRIPTION                             | QTY. |
|----------|-------------|---|------|
| 1*       | YS2848      | Enclosure 48x28x5.75                    | 1    |
| 2        | PL2B425L2C  | central chassis sub-assy for 36 circuit | 1    |
| 3        | V003647     | Fuse holder Mounting Rail               | 2    |
| 4        | V003608     | Dead Front                              | 1    |
| 5        | V003666     | DOOR Assembly                           | 1    |
| 6        | GHB1030     | GHB1030 Breaker                         | 42   |
| 7        | CHCC1D      | Bussmann Fuse Holder                    | 42   |
| 8        | V003651     | Dead Front Support                      | 4    |
| 9        | LFT00095    | Bussmann Logo Label                     | 2    |
| 10       | 900P051H01  | Rating/ Warning Label                   | 1    |
| 11       | 267P916H01  | Danger Label                            | 1    |
| 12       | LFT00096    | Torque Label                            | 1    |
| 13**     | 672SD1H30   | Poly Bag                                | 1    |
| 14**     | V003678     | Circuit Directory                       | 1    |
| 15**     | V001774     | Instruction Sheet                       | 1    |
| 16**     | LFT00021    | Numbers Label                           | 1    |

\* Enclosure comes assembled with grounding and neutral assemblies installed  
\*\* Items Numbered 13, 14, 15 & the keys to door lock are included in the polybag  
Item Number 13 Not Shown

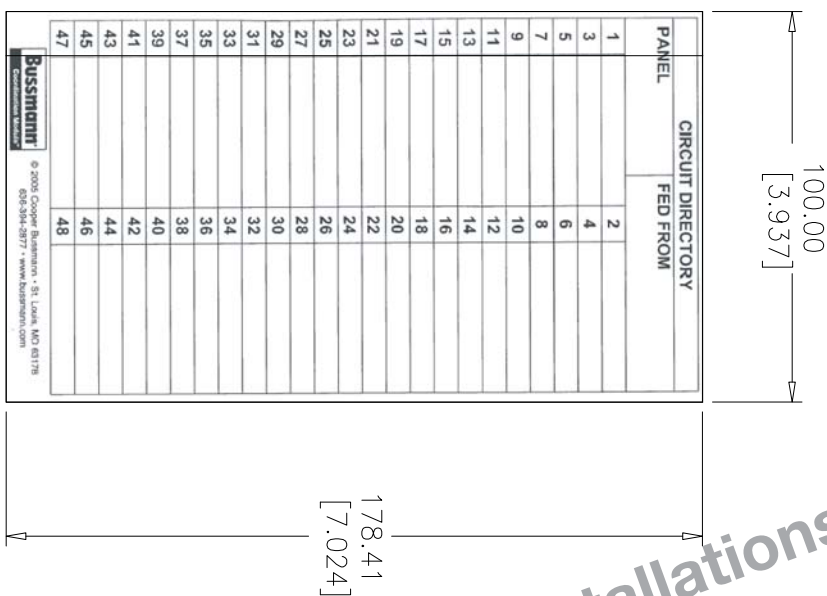


# Fused Lighting & Appliance Panelboard

## EP Series Coordination Module™

### V003678 CIRCUIT DIRECTORY

- NOTE:
1. MATERIAL: ADHESIVE S-450 RUBBER BASE, WHITE.
  2. LABEL SIZE: 100mmX178.5mm(REF.)
  3. PRINTING COLOR: BLACK
  3. THE CONTENTS MUST COMPLY WITH LABEL SHOWN.



Assembly not available for new installations.  
 Recommended replacement is the  
 Quik-Spec™ Coordination Panelboard (QSCP).  
 See Data Sheet 1160 for details.

The only controlled copy of this Data Sheet is the electronic read-only version located on the Cooper Bussmann Network Drive. All other copies of this document are by definition uncontrolled. This bulletin is intended to clearly present comprehensive product data and provide technical information that will help the end user with design applications. Cooper Bussmann reserves the right, without notice, to change design or construction of any products and to discontinue or limit distribution of any products. Cooper Bussmann also reserves the right to change or update, without notice, any technical information contained in this bulletin. Once a product has been selected, it should be tested by the user in all possible applications.



Компания «ЭлектроПласт» предлагает заключение долгосрочных отношений при поставках импортных электронных компонентов на взаимовыгодных условиях!

Наши преимущества:

- Оперативные поставки широкого спектра электронных компонентов отечественного и импортного производства напрямую от производителей и с крупнейших мировых складов;
- Поставка более 17-ти миллионов наименований электронных компонентов;
- Поставка сложных, дефицитных, либо снятых с производства позиций;
- Оперативные сроки поставки под заказ (от 5 рабочих дней);
- Экспресс доставка в любую точку России;
- Техническая поддержка проекта, помощь в подборе аналогов, поставка прототипов;
- Система менеджмента качества сертифицирована по Международному стандарту ISO 9001;
- Лицензия ФСБ на осуществление работ с использованием сведений, составляющих государственную тайну;
- Поставка специализированных компонентов (Xilinx, Altera, Analog Devices, Intersil, Interpoint, Microsemi, Aeroflex, Peregrine, Syfer, Eurofarad, Texas Instrument, Miteq, Cobham, E2V, MA-COM, Hittite, Mini-Circuits, General Dynamics и др.);

Помимо этого, одним из направлений компании «ЭлектроПласт» является направление «Источники питания». Мы предлагаем Вам помощь Конструкторского отдела:

- Подбор оптимального решения, техническое обоснование при выборе компонента;
- Подбор аналогов;
- Консультации по применению компонента;
- Поставка образцов и прототипов;
- Техническая поддержка проекта;
- Защита от снятия компонента с производства.



#### Как с нами связаться

**Телефон:** 8 (812) 309 58 32 (многоканальный)

**Факс:** 8 (812) 320-02-42

**Электронная почта:** [org@eplast1.ru](mailto:org@eplast1.ru)

**Адрес:** 198099, г. Санкт-Петербург, ул. Калинина, дом 2, корпус 4, литера А.