

PLEASE CHECK WWW.MOLEX.COM FOR LATEST PART INFORMATION

Part Number: **5003340160**
Status: **Active**
Overview: [slimstack_050mm_020_pitch](#)
Description: 0.50mm (.020") Pitch SlimStack™ Plug, Surface Mount, Dual Row, Vertical, 2.50mm (.098") Stack Height, 16 Circuits

Documents:

[3D Model](#) [Product Specification PS-54102-010 \(PDF\)](#)
[Drawing \(PDF\)](#) [RoHS Certificate of Compliance \(PDF\)](#)

General

Product Family	PCB Headers
Series	500334
Application	Board-to-Board
Overview	slimstack_050mm_020_pitch
Product Name	SlimStack™

Physical

Breakaway	No
Circuits (Loaded)	16
Color - Resin	Black
Durability (mating cycles max)	30
First Mate / Last Break	No
Glow-Wire Compliant	No
Guide to Mating Part	No
Keying to Mating Part	None
Lock to Mating Part	Yes
Mated Height (in)	0.098 In
Mated Height (mm)	2.50 mm
Material - Metal	Brass
Material - Plating Mating	Gold
Material - Plating Termination	Gold
Number of Rows	2
Orientation	Vertical
PCB Locator	No
PCB Retention	None
Packaging Type	Embossed Tape on Reel
Pitch - Mating Interface (in)	0.020 In
Pitch - Mating Interface (mm)	0.50 mm
Polarized to PCB	No
Stackable	No
Temperature Range - Operating	-40°C to +85°C
Termination Interface: Style	Surface Mount

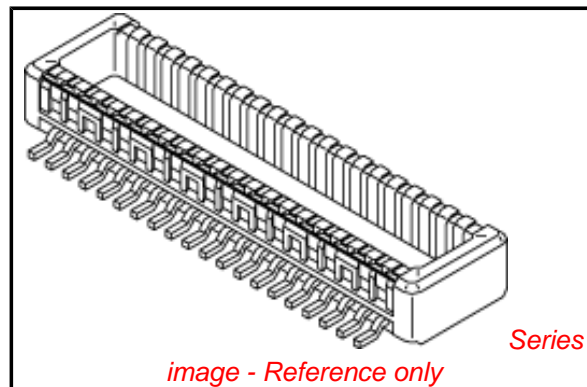
Electrical

Current - Maximum per Contact	0.5A
Voltage - Maximum	50V

Material Info

Reference - Drawing Numbers

Packaging Specification	SPK-500334-001
Product Specification	PS-54102-010, RPS-54102-008, RPS-54102-012, RPS-54102-014, RPS-54102-017
Sales Drawing	SD-500334-001, SD-500334-002



EU RoHS

ELV and RoHS Compliant
REACH SVHC
 Not Reviewed
Halogen-Free
Status
Not Reviewed

China RoHS



Need more information on product environmental compliance?

Email productcompliance@molex.com
 For a multiple part number RoHS Certificate of Compliance, [click here](#)

Please visit the [Contact Us](#) section for any non-product compliance questions.

Search Parts in this Series

[500334Series](#)

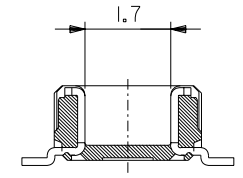
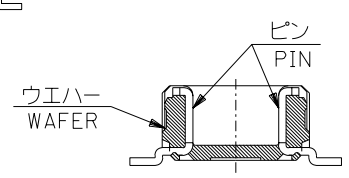
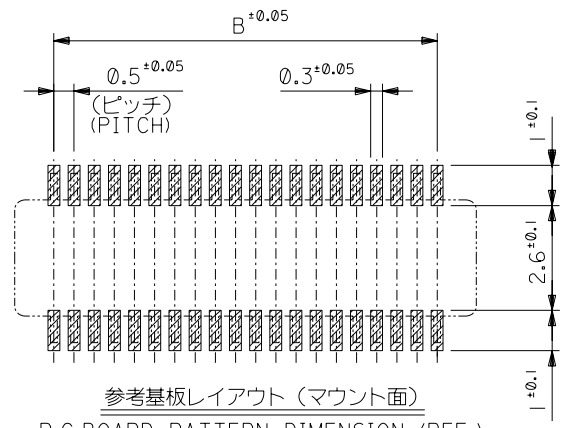
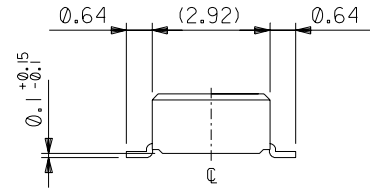
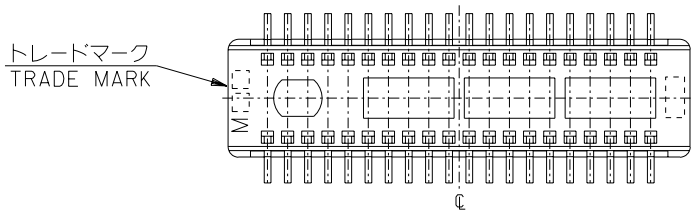
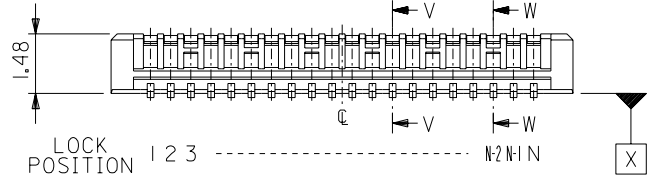
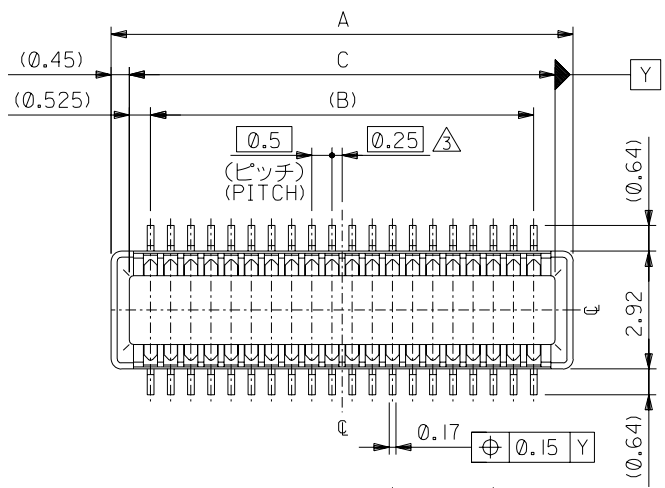
Mates With

[54102 SlimStack™ Receptacle](#)

This document was generated on 05/26/2010

PLEASE CHECK WWW.MOLEX.COM FOR LATEST PART INFORMATION

DWG. NO.
SD-500334-001



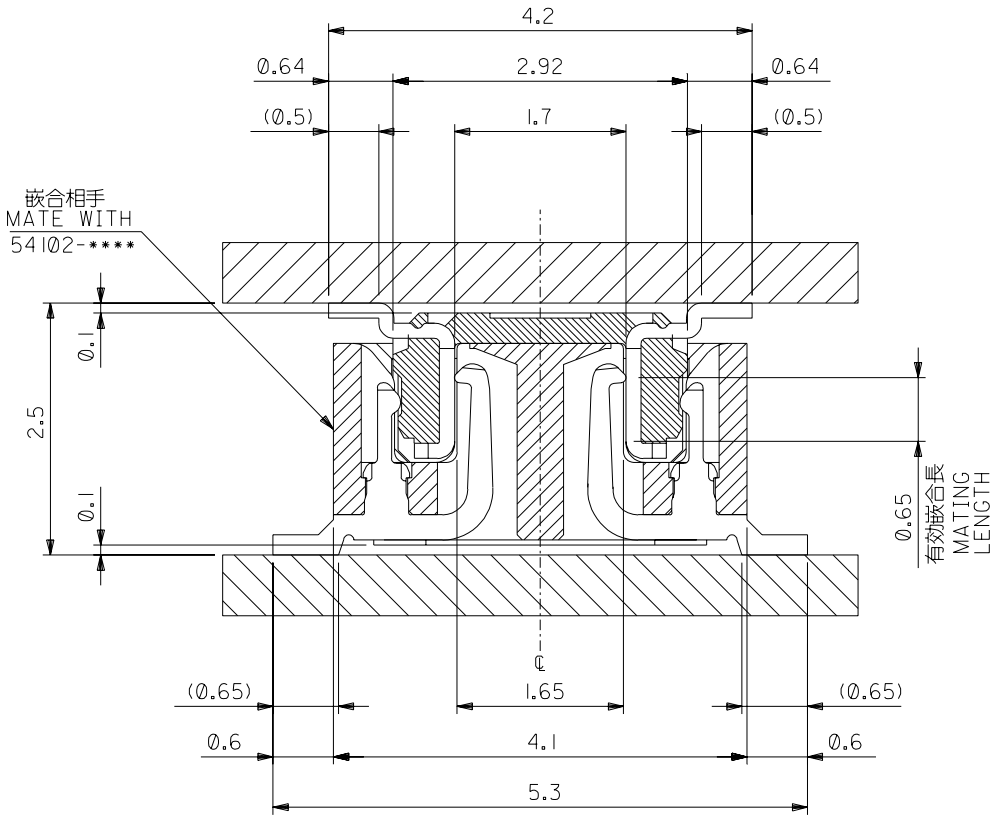
ALL	8.05	7	8.95	500334-0308	30
	5.55	4.5	6.45	500334-0208	20
	4.55	3.5	5.45	500334-0168	16
LOCK POSITION	C	B	A	MATERIAL No.	CIRCUIT

DO NOT SCALE DRAWING

EC NO. DRWN: CHK: APPR:	EC NO. DRWN: CHK: APPR:	EC NO. DRWN: CHK: APPR:	REVISED '04/03/22 EC NO. J2004-2899 DRWN: K.TOYODA CHK: K.ASAKAWA APPR: S.ICHIKAWA	RELEASED '03/04/04 EC NO. J2003-2536 DRWN: T.YASUI CHK: T.IITO APPR: T.YAMAGUCHI	DESCRIPTION MATERIAL 材料 FINISH 仕上げ WIRE RANGE 適用線径範囲 INS. RANGE 被覆外径	注記参照 SEE NOTES —	GENERAL TOLERANCES: (UNLESS SPECIFIED) 一般公差 10 UNDER 未満 ±0.2 10 OVER 30 UNDER 未満 ±0.25 30 OVER 以上 ±0.3 ANGLE 角度 ±3°	SCALE —	MODEL No. 500334-***8 DESIGN UNITS <input checked="" type="checkbox"/> mm <input type="checkbox"/> INCH	DIMENSIONS: THIRD ANGLE PROJECTION <input type="checkbox"/> mm <input type="checkbox"/> INCH <input checked="" type="checkbox"/> mm ONLY	SHT 1 OF 2 REV
DRAWN BY & DATE T.YASUI '03/ 4/ 4			TITLE: 0.5 BOARD TO BOARD Conn PLUG Assy (Hgt=2.5) -LEAD FREE-			MOLEX INCORPORATED			MATERIAL NO. SEE CHART	DRAWING NO. SD-500334-001	SHEET NO. 1 OF 2
THIS DRAWING CONTAINS INFORMATION THAT IS PROPRIETARY TO MOLEX INCORPORATED AND SHOULD NOT BE USED WITHOUT WRITTEN PERMISSION.								SIZE B		EN-02J(097) MXJ-54	

SD-500334-001.S01

DWG. NO.
SD-500334-001



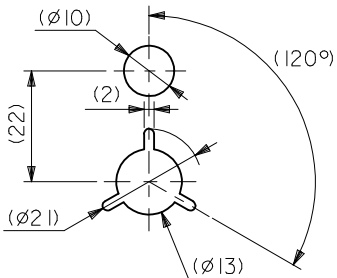
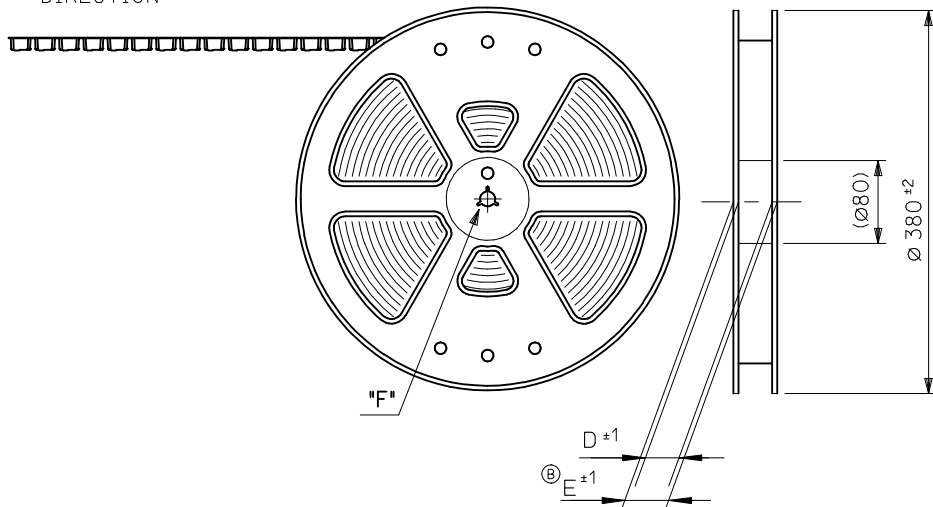
注記 NOTES:

1. 使用材料 MATERIAL
ハウジング: 液晶ポリマー (LCP), ガラス充填, UL94V-0, 色: 黒
HOUSING: LIQUID CRYSTAL POLYMER(LCP), GLASS FILLED
UL94V-0, COLOR: BLACK
ターミナル: 黄銅 (t=0.15)
TERMINAL: BRASS (t=0.15)
2. メッキ仕様 PLATING
金メッキ 0.25マイクロメートル以上 (コンタクト部)
GOLD(Au) 0.25 MICROMETER MINIMUM (CONTACT AREA)
金メッキ 0.4マイクロメートル以下 (テール部)
GOLD(Au) 0.4 MICROMETER MAXIMUM (TAIL AREA)
下地メッキ: ニッケルメッキ 1.5マイクロメートル以上
UNDER PLATING: NICKEL 1.5 MICROMETER MINIMUM
3. (全極数/2) = 偶数の場合に適用。
APPLY FOR (CIRCUIT/2)=EVEN.
4. 嵌合相手: 54102シリーズ
MATE WITH: 54102 SERIES.
5. テール平坦度は 0.1以下。
TAIL COPLANARITY TO BE 0.1 MAXIMUM.

DO NOT SCALE DRAWING

64 NO. DRWN: CH'K: APPR: 63 NO. DRWN: CH'K: APPR: 62 NO. DRWN: CH'K: APPR: 61 NO. DRWN: CH'K: APPR: A		60 NO. DRWN: CH'K: APPR: SEE SHEET 1 OF 2		MATERIAL 材料 注記参照 SEE NOTES FINISH 仕上げ 適用 適用 WIRE RANGE 適用 適用 INS. RANGE 被覆 被覆		GENERAL TOLERANCES: (UNLESS SPECIFIED) 一般公差 10 UNDER 未満 ±0.2 10 OVER 以上 30 UNDER 未満 ±0.25 30 OVER 以上 ±0.3 ANGLE 角度 ±3°		MODEL No. 500334-***8 DIMENSIONS: SHT REV DESIGN UNITS: mm INCH PROJECTION: 2D DRAWN BY & DATE: T.YASUI '03/ 4/ 4 CHECKED BY & DATE: T.ITO '03/ 4/ 7 APPROVED BY & DATE: T.YAMAGUCHI '03/ 4/ 7 CAD FILENAME: SD-500334-001.S02 TITLE: 0.5 BOARD TO BOARD Conn PLUG Assy (Hgt=2.5) -LEAD FREE- MOLEX INCORPORATED MATERIAL NO. SEE CHART DRAWING NO. SD-500334-001 SHEET NO. 2 OF 2	
---	--	--	--	---	--	---	--	--	--

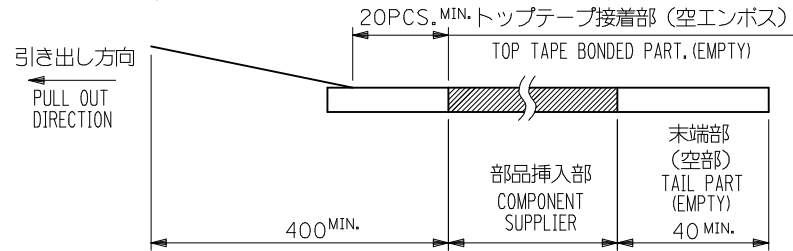
引き出し方向
PULL OUT
DIRECTION



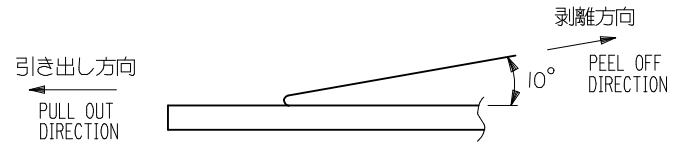
DETAIL "F"

NOTES

- 製品詳細寸法については図面 SD-500334-001 を参照下さい。
RE DETAILED DIMENSION, SEE SD-500334-001
- 梱包数量：3000個/リール
NUMBER OF CONNECTORS : 3000PCS/REEL
- リードテープ長さ LEAD TAPE LENGTH



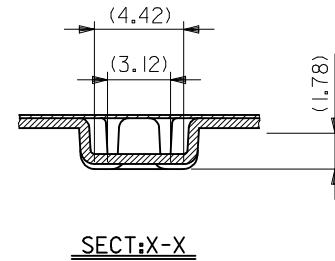
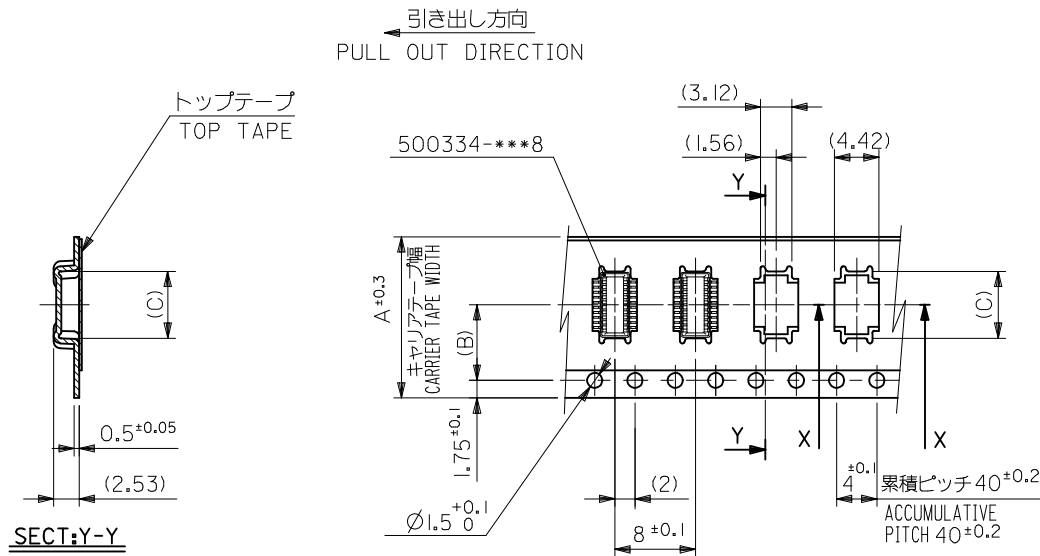
- トップテープの剥離強度：0.1N ~ 0.7N (10.2gf ~ 71.4gf)
(剥離方向は下図参照)
尚、本規格値は出荷時に適用。(但し、輸送時に剥離が発生しないこと。)
PEELING OFF FORCE OF TOP TAPE : 0.1N ~ 0.7N (10.2gf ~ 71.4gf)
(PEELING DIRECTION AS SHOWN IN FOLLOWING FIG.)
THIS REQUIREMENT SHOULD BE APPLIED AT SHIPMENT.
PEEL OFF SHOULD NOT BE ALLOWED , DURING TRANSPORTATION.



⑤ 5. 材料 MATERIAL

キャリアテープ：ポリプロピレン (PP)
CARRIER TAPE : POLYPROPYLENE (PP)
トップテープ：ポリエステル (PET)、ポリエチレン (PE)、ポリエチレンフォーム (PEF)
TOP TAPE : POLYESTER (PET), POLYETHYLENE (PE), POLYETHYLENEFOAM (PEF)
リール：ポリスチレン (PS) <リサイクル材を含む>
REEL : POLYSTYRENE (PS) <RECYCLE MATERIAL CONTAINED>

REVISED EC NO: J2009-2132 DRWN: YOSHIKAWA 2009/03/19 CHKD: HAYASHI 2009/03/23 APPR: NUKITA 2009/03/24	DESCRIPTION	GENERAL TOLERANCES (UNLESS SPECIFIED)		DIMENSION STYLE MM ONLY		SCALE ---	DESIGN UNITS METRIC	THIRD ANGLE PROJECTION	
		10 UNDER	± 0.2	DRAWN BY N. YOSHIKAWA	DATE 2009/03/18	TITLE EMBSTP PKG FOR 0.5 B/B PLUG ASSY (HGT=2.5) -LEAD FREE-			
		10 OVER 30 UNDER	± 0.25	CHECKED BY M. HAYASHI	DATE 2009/03/18	MOLEX INCORPORATED			
		30 OVER	± 0.3	APPROVED BY N. UKITA	DATE 2009/03/18	MATERIAL NO. SEE CHART		DOCUMENT NO. SD-500334-002	SHEET NO. 1 OF 2
REV		ANGULAR ± 3 ° DRAFT WHERE APPLICABLE MUST REMAIN WITHIN DIMENSIONS		THIS DRAWING CONTAINS INFORMATION THAT IS PROPRIETARY TO MOLEX INCORPORATED AND SHOULD NOT BE USED WITHOUT WRITTEN PERMISSION					



16mm幅キャリアテープ
16mm WIDTH CARRIER TAPE

500334-***0	29.4	25.4	9.15	11.5	24	500334-0300	30
	21.4	17.4	6.65	7.5	16	500334-0200	20 [Ⓞ]
	21.4	17.4	5.65	7.5	16	500334-0160	16
MODEL NO.	[Ⓞ] E	[Ⓞ] D	(C)	(B)	A	MATERIAL No.	極数 CKT.

REVISED EC NO: J2009-2132 DRWN: YOSHIKAWA 2009/03/19 CHK'D: HAYASHI 2009/03/23 APPR: NUKITA 2009/03/24	GENERAL TOLERANCES (UNLESS SPECIFIED)		DIMENSION STYLE MM ONLY		SCALE ---	DESIGN UNITS METRIC	THIRD ANGLE PROJECTION
	10 UNDER	±0.2	DRAWN BY N. YOSHIKAWA	DATE 2009/03/19	TITLE EMBSTP PKG FOR 0.5 B/B PLUG ASSY (HGT=2.5) -LEAD FREE-		
	10 OVER 30 UNDER	±0.25	CHECKED BY M. HAYASHI	DATE 2009/03/19	MOLEX INCORPORATED		
	30 OVER	±0.3	APPROVED BY N. UKITA	DATE 2009/03/19	MATERIAL NO.	DOCUMENT NO.	SHEET NO.
ANGULAR ±3 °		DRAFT WHERE APPLICABLE MUST REMAIN WITHIN DIMENSIONS		SEE CHART		SD-500334-002	2 OF 2
THIS DRAWING CONTAINS INFORMATION THAT IS PROPRIETARY TO MOLEX INCORPORATED AND SHOULD NOT BE USED WITHOUT WRITTEN PERMISSION							



Компания «ЭлектроПласт» предлагает заключение долгосрочных отношений при поставках импортных электронных компонентов на взаимовыгодных условиях!

Наши преимущества:

- Оперативные поставки широкого спектра электронных компонентов отечественного и импортного производства напрямую от производителей и с крупнейших мировых складов;
- Поставка более 17-ти миллионов наименований электронных компонентов;
- Поставка сложных, дефицитных, либо снятых с производства позиций;
- Оперативные сроки поставки под заказ (от 5 рабочих дней);
- Экспресс доставка в любую точку России;
- Техническая поддержка проекта, помощь в подборе аналогов, поставка прототипов;
- Система менеджмента качества сертифицирована по Международному стандарту ISO 9001;
- Лицензия ФСБ на осуществление работ с использованием сведений, составляющих государственную тайну;
- Поставка специализированных компонентов (Xilinx, Altera, Analog Devices, Intersil, Interpoint, Microsemi, Aeroflex, Peregrine, Syfer, Eurofarad, Texas Instrument, Miteq, Cobham, E2V, MA-COM, Hittite, Mini-Circuits, General Dynamics и др.);

Помимо этого, одним из направлений компании «ЭлектроПласт» является направление «Источники питания». Мы предлагаем Вам помощь Конструкторского отдела:

- Подбор оптимального решения, техническое обоснование при выборе компонента;
- Подбор аналогов;
- Консультации по применению компонента;
- Поставка образцов и прототипов;
- Техническая поддержка проекта;
- Защита от снятия компонента с производства.



Как с нами связаться

Телефон: 8 (812) 309 58 32 (многоканальный)

Факс: 8 (812) 320-02-42

Электронная почта: org@eplast1.ru

Адрес: 198099, г. Санкт-Петербург, ул. Калинина, дом 2, корпус 4, литера А.