

Two-Piece 4.0mm Pitch Battery

9155-400



This unique battery or removable module style connector is different from most others in that it allows for the pluggable device to be swiped or connected from either direction. The spring contact offers enhanced contact deflection range over existing connectors in the market with a full 1.4mm of travel after contact engagement. This contact design allows the connector to absorb more of the plastic or housing tolerances making it more functional and reliable in real life applications.

The fixed pad connector is unique in the industry as it replaces the plating of gold directly onto PCB pads. The main benefit of using this connector is to elevate the pad surface well above the PCB so that the gold contacts are close to flush with the outside packaging. This minimizes the distance that a spring contact would need to absorb in the mating tolerance band. Also unique to this connector is the angled contact lead-in on both sides which facilitates smooth engagement of the spring contact from either direction.

APPLICATIONS

- Portable electronics requiring a removable battery
- Interface for removable/pluggable modules or cartridges
- Docking cradle for charging and data transfer

FEATURES AND BENEFITS

- Proven contact reliability in harsh industrial or medical applications
- Increased contact deflection range above existing connectors on the market
- Gold plated Beryllium contact spring contact assures maximum contact reliability and functionality up to 5000 cycles
- Beveled lead in on pad connector facilitates smooth module engagement from either direction

ELECTRICAL

- Current Rating: 5A/contact
- Voltage Rating: 125 VAC

ENVIRONMENTAL

- Operating Temperature: -40°C to +125°C

MECHANICAL

- Contact Material: Spring contact is Be Cu, Fixed contact is Phosphor Bronze
- Contact Plating: Gold over nickel mating area, pure Tin SMT tails
- Durability 5000 Cycles

HOW TO ORDER

| | | |
|-----------|-------------|----------------|
| 00 | 9155 | 005 |
| Prefix | Series | Number of Ways |
| | | 002 = 2 |
| | | 003 = 3 |
| | | 004 = 4 |
| | | 005 = 5 |
| | | 006 = 6 |

| 40X | | |
|----------------------------|---------------------------------|-----------|
| Standard Battery Connector | | |
| Code | Description | Reel Qty. |
| 401 | Battery Connector - Sprung Half | 550 |
| 402 | Battery Connector - Fixed Half | 1100 |

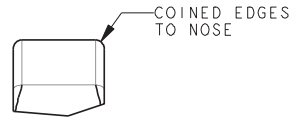
| |
|---|
| 00X |
| Plating Option |
| 6 = 0.4µm Selective Gold, Pure Tin Tail |
| 8 = 0.8µm Selective Gold, Pure Tin Tail |



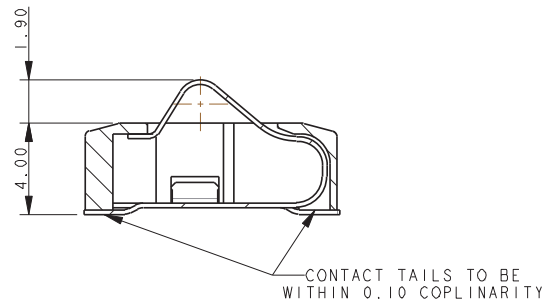
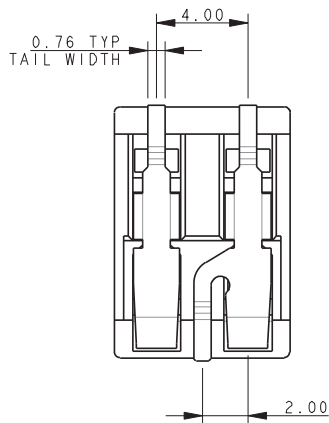
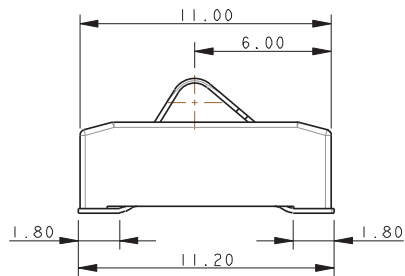
Two-Piece 4.0mm Pitch Battery

9155-400

2 WAY BATTERY CONNECTOR – SPRUNG HALF



DETAIL A



SECTION ON Z-Z



NOTES:

1. GENERAL TOLERANCE ± 0.20 UNLESS OTHERWISE STATED.
2. FOR FURTHER DETAILS REFER TO AVX SPECIFICATION 201-01-207.
3. ADDITIONAL INFORMATION AND BASIC MATING DETAILS REFER TO PAGES 12-14.
4. PACKING DETAILS ON PAGE 15.
5. CONNECTOR OUTLINE.
6. RECOMMENDED PLATING ON MATING PADS. GOLD OVER NICKEL.
7. FOR OTHER TAN VERTICAL MATING WE RECOMMEND MATING WITH THE FIXED CONNECTOR, REFER TO PAGE 13.

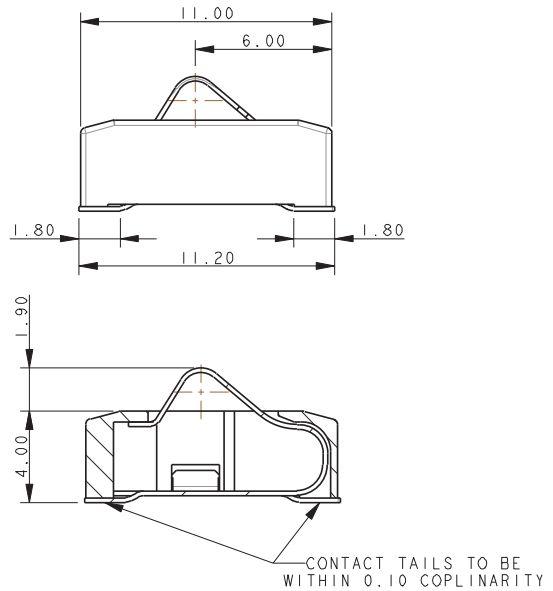
Two-Piece 4.0mm Pitch Battery

9155-400

3 WAY BATTERY CONNECTOR – SPRUNG HALF



DETAIL A



SECTION ON Z-Z



**SUGGESTED
MATING
PCB LAYOUT**



**SUGGESTED
SMT
PCB LAYOUT**

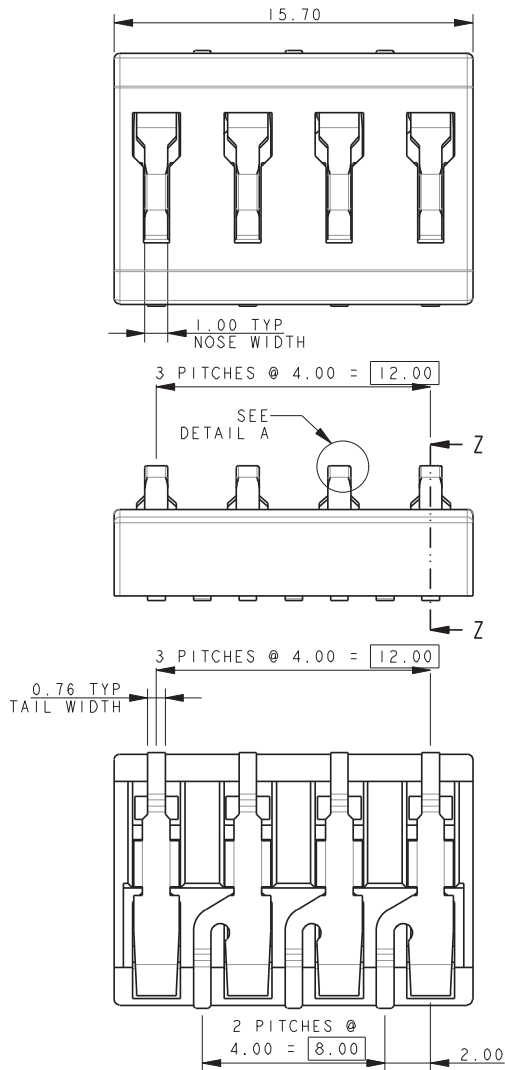
NOTES:

1. GENERAL TOLERANCE ± 0.20 UNLESS OTHERWISE STATED.
2. FOR FURTHER DETAILS REFER TO AVX SPECIFICATION 201-01-207.
3. ADDITIONAL INFORMATION AND BASIC MATING DETAILS REFER TO PAGES 12-14.
4. PACKING DETAILS ON PAGE 15.
5. CONNECTOR OUTLINE.
6. RECOMMENDED PLATING ON MATING PADS. GOLD OVER NICKEL.
7. FOR OTHER TAN VERTICAL MATING WE RECOMMEND MATING WITH THE FIXED CONNECTOR, REFER TO PAGE 13.

Two-Piece 4.0mm Pitch Battery

9155-400

4 WAY BATTERY CONNECTOR – SPRUNG HALF



DETAIL A



SECTION ON Z-Z



NOTES:

1. GENERAL TOLERANCE ± 0.20 UNLESS OTHERWISE STATED.
2. FOR FURTHER DETAILS REFER TO AVX SPECIFICATION 201-01-207.
3. ADDITIONAL INFORMATION AND BASIC MATING DETAILS REFER TO PAGES 12-14.
4. PACKING DETAILS ON PAGE 15.
5. CONNECTOR OUTLINE.
6. RECOMMENDED PLATING ON MATING PADS. GOLD OVER NICKEL.
7. FOR OTHER TAN VERTICAL MATING WE RECOMMEND MATING WITH THE FIXED CONNECTOR, REFER TO PAGE 13.

Two-Piece 4.0mm Pitch Battery

9155-400

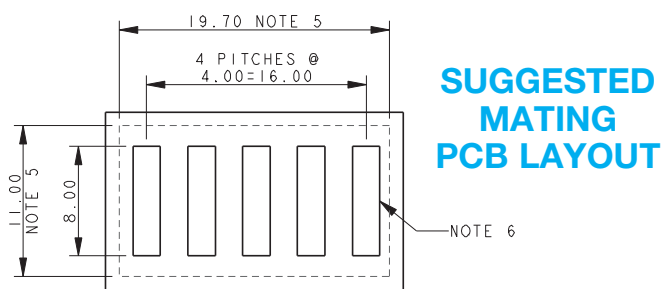
5 WAY BATTERY CONNECTOR – SPRUNG HALF



DETAIL A



SECTION ON Z-Z



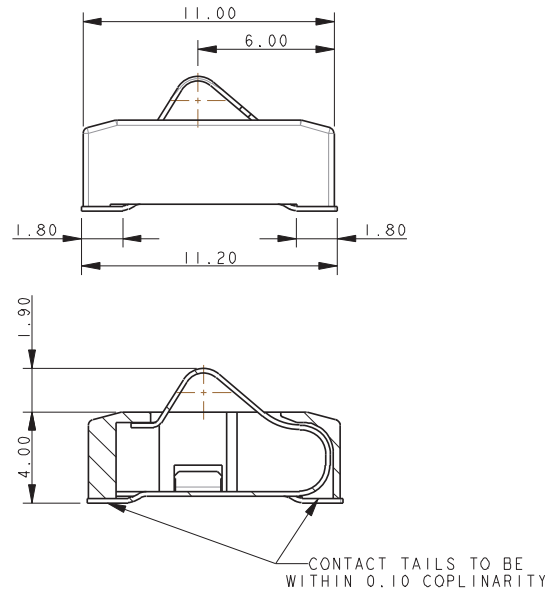
NOTES:

1. GENERAL TOLERANCE ± 0.20 UNLESS OTHERWISE STATED.
2. FOR FURTHER DETAILS REFER TO AVX SPECIFICATION 201-01-207.
3. ADDITIONAL INFORMATION AND BASIC MATING DETAILS REFER TO PAGES 12-14.
4. PACKING DETAILS ON PAGE 15.
5. CONNECTOR OUTLINE.
6. RECOMMENDED PLATING ON MATING PADS. GOLD OVER NICKEL.
7. FOR OTHER TAN VERTICAL MATING WE RECOMMEND MATING WITH THE FIXED CONNECTOR, REFER TO PAGE 13.

Two-Piece 4.0mm Pitch Battery

9155-400

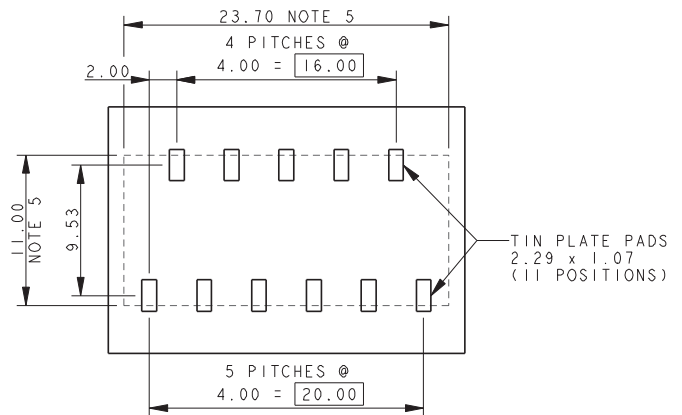
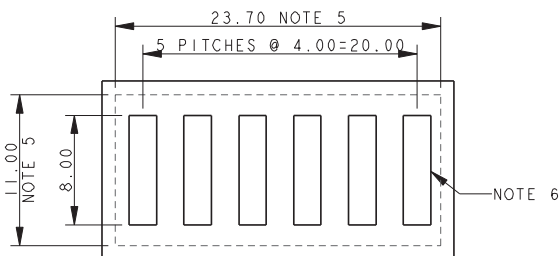
6 WAY BATTERY CONNECTOR – SPRUNG HALF



SECTION ON Z-Z

SUGGESTED SMT PCB LAYOUT

SUGGESTED MATING PCB LAYOUT



NOTES:

1. GENERAL TOLERANCE ± 0.20 UNLESS OTHERWISE STATED.
2. FOR FURTHER DETAILS REFER TO AVX SPECIFICATION 201-01-207.
3. ADDITIONAL INFORMATION AND BASIC MATING DETAILS REFER TO PAGES 12-14.
4. PACKING DETAILS ON PAGE 15.
5. CONNECTOR OUTLINE.
6. RECOMMENDED PLATING ON MATING PADS. GOLD OVER NICKEL.
7. FOR OTHER TAN VERTICAL MATING WE RECOMMEND MATING WITH THE FIXED CONNECTOR, REFER TO PAGE 13.

Two-Piece 4.0mm Pitch Battery

9155-400

2 WAY BATTERY CONNECTOR – FIXED HALF OPTIONAL



NOTES:

1. GENERAL TOLERANCE ± 0.20 UNLESS OTHERWISE STATED.
2. FOR FURTHER DETAILS REFER TO AVX SPECIFICATION 201-01-207.
3. ADDITIONAL INFORMATION AND BASIC MATING DETAILS REFER TO PAGES 12-13.
4. PACKING DETAILS ON PAGE 15.
5. CONNECTOR OUTLINE.

Two-Piece 4.0mm Pitch Battery

9155-400

3 WAY BATTERY CONNECTOR – FIXED HALF OPTIONAL



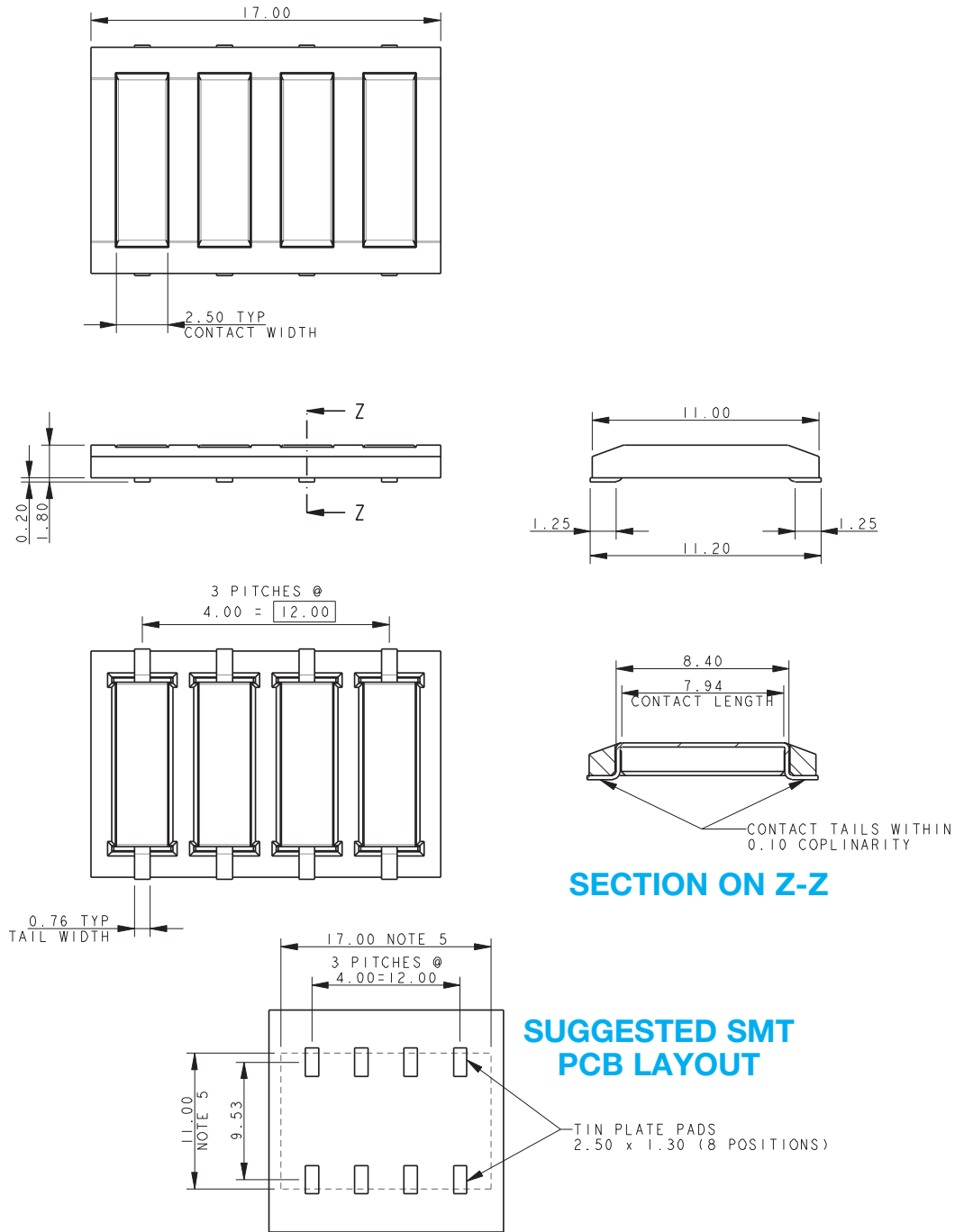
NOTES:

1. GENERAL TOLERANCE ± 0.20 UNLESS OTHERWISE STATED.
2. FOR FURTHER DETAILS REFER TO AVX SPECIFICATION 201-01-207.
3. ADDITIONAL INFORMATION AND BASIC MATING DETAILS REFER TO PAGES 12-13.
4. PACKING DETAILS ON PAGE 15.
5. CONNECTOR OUTLINE.

Two-Piece 4.0mm Pitch Battery

9155-400

4 WAY BATTERY CONNECTOR – FIXED HALF OPTIONAL



NOTES:

1. GENERAL TOLERANCE ± 0.20 UNLESS OTHERWISE STATED.
2. FOR FURTHER DETAILS REFER TO AVX SPECIFICATION 201-01-207.
3. ADDITIONAL INFORMATION AND BASIC MATING DETAILS REFER TO PAGES 12-13.
4. PACKING DETAILS ON PAGE 15.
5. CONNECTOR OUTLINE.

Two-Piece 4.0mm Pitch Battery

9155-400

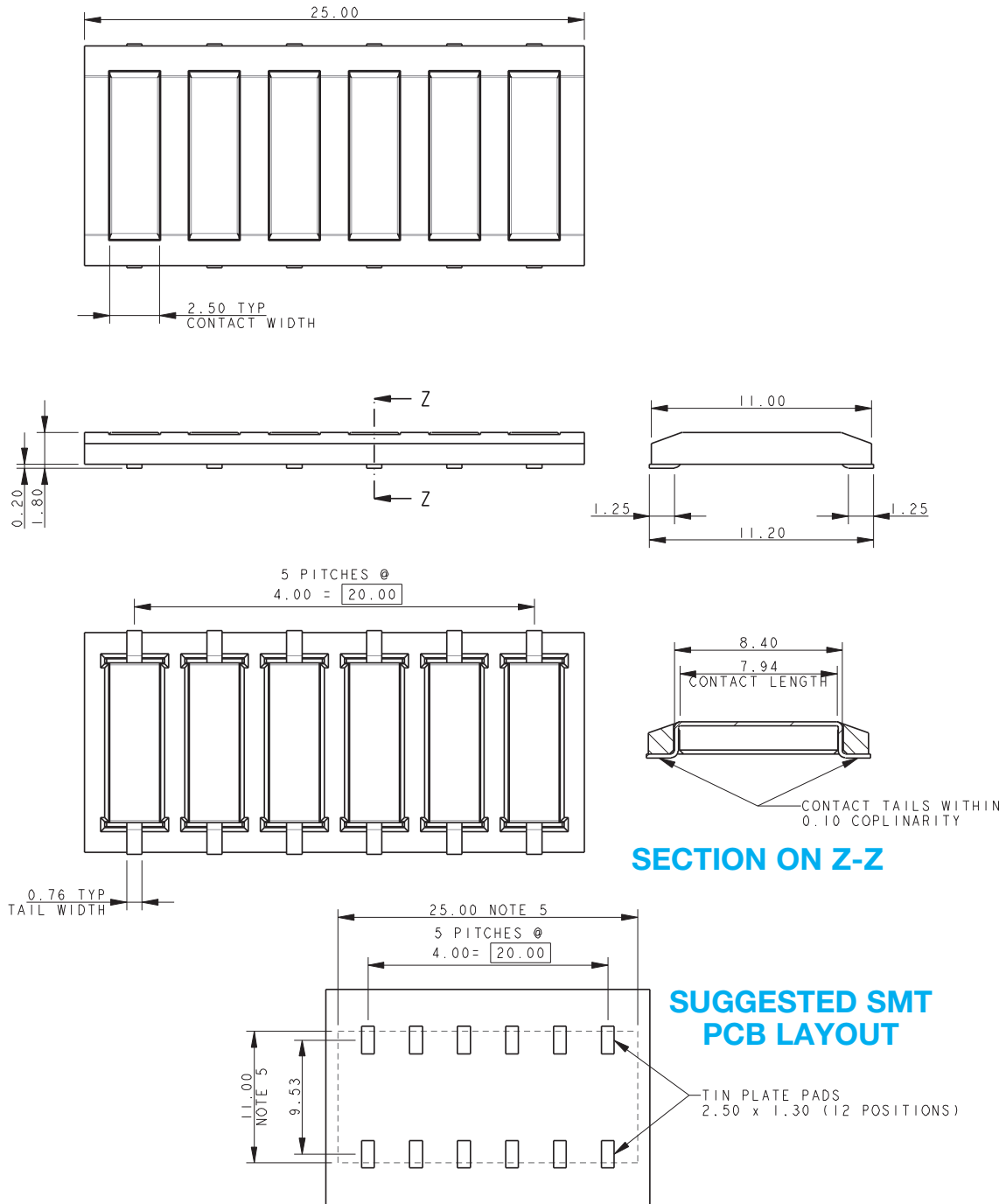
5 WAY BATTERY CONNECTOR – FIXED HALF OPTIONAL



Two-Piece 4.0mm Pitch Battery

9155-400

6 WAY BATTERY CONNECTOR – FIXED HALF OPTIONAL



NOTES:

1. GENERAL TOLERANCE ± 0.20 UNLESS OTHERWISE STATED.
2. FOR FURTHER DETAILS REFER TO AVX SPECIFICATION 201-01-207.
3. ADDITIONAL INFORMATION AND BASIC MATING DETAILS REFER TO PAGES 12-13.
4. PACKING DETAILS ON PAGE 15.
5. CONNECTOR OUTLINE.

Two-Piece 4.0mm Pitch Battery

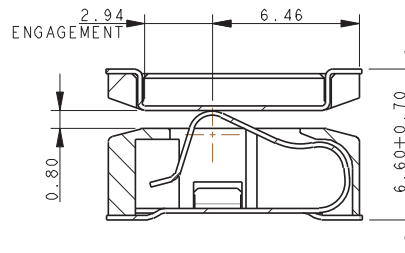
9155-400

BATTERY CONNECTOR - MATING DETAILS SPRUNG HALF MATED WITH FIXED HALF



CONNECTOR ASSEMBLY
MAXIMUM GAP

PROJECTED CONTACT FORCE 0.67N



CONNECTOR ASSEMBLY
NOMINAL GAP

PROJECTED CONTACT FORCE 1.23N



CONNECTOR ASSEMBLY
MINIMUM GAP

PROJECTED CONTACT FORCE 1.70N

NOTES:

1. GENERAL TOLERANCE ± 0.20 UNLESS OTHERWISE STATED.
2. INSULATION MATERIAL: LCP, GLASS FILLED, UL94 V-0, COLOR BLACK.
3. CONTACT MATERIAL SPRUNG HALF: BERYLLIUM COPPER.
4. CONTACT MATERIAL FIXED HALF: PHOSPHOR BRONZE.
5. CONTACT PLATING: GOLD OVER NICKEL, PURE TIN TAILS.
6. DURABILITY 5000 OPERATIONS.
7. CURRENT RATING 5A.
8. CONTACT RESISTANCE 25m Ω MAX.

BATTERY CONNECTOR - MATING DETAILS DIRECTION OF MATING

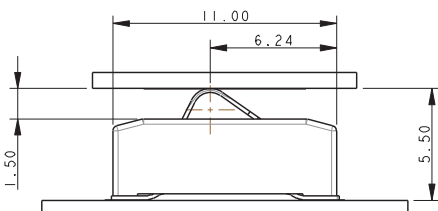


VERTICAL MATING



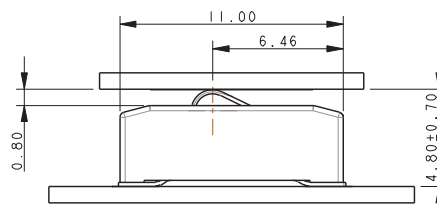
HORIZONTAL MATING - FROM EITHER END

BATTERY CONNECTOR - MATING DETAILS SPRUNG HALF MATED WITH PCB



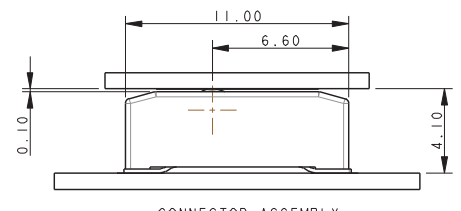
CONNECTOR ASSEMBLY
MAXIMUM GAP

PROJECTED CONTACT FORCE 0.67N



CONNECTOR ASSEMBLY
NOMINAL GAP

PROJECTED CONTACT FORCE 1.23N



CONNECTOR ASSEMBLY
MINIMUM GAP

PROJECTED CONTACT FORCE 1.70N

NOTES:

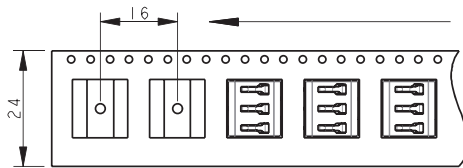
1. GENERAL TOLERANCE ± 0.20 UNLESS OTHERWISE STATED.
2. SPRUNG HALF MATED WITH GOLD PLATED PAD ON PCB
3. VERTICAL MATING ONLY.

Two-Piece 4.0mm Pitch Battery

9155-400

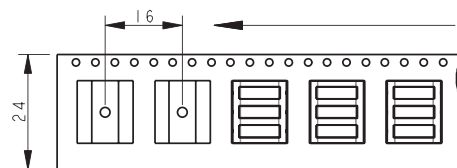
BI-DIRECTIONAL BATTERY CONNECTOR - PACKING DETAILS

PACKING DETAILS SPRUNG CONNECTOR



| | |
|----------|-------|
| REEL QTY | 550 |
| LEADER | 500mm |
| TRAILER | 500mm |

PACKING DETAILS FIXED CONNECTOR



| | |
|----------|-------|
| REEL QTY | 1100 |
| LEADER | 500mm |
| TRAILER | 500mm |

UNREELED
DIRECTION



330mm DIAMETER REEL



Компания «ЭлектроПласт» предлагает заключение долгосрочных отношений при поставках импортных электронных компонентов на взаимовыгодных условиях!

Наши преимущества:

- Оперативные поставки широкого спектра электронных компонентов отечественного и импортного производства напрямую от производителей и с крупнейших мировых складов;
- Поставка более 17-ти миллионов наименований электронных компонентов;
- Поставка сложных, дефицитных, либо снятых с производства позиций;
- Оперативные сроки поставки под заказ (от 5 рабочих дней);
- Экспресс доставка в любую точку России;
- Техническая поддержка проекта, помощь в подборе аналогов, поставка прототипов;
- Система менеджмента качества сертифицирована по Международному стандарту ISO 9001;
- Лицензия ФСБ на осуществление работ с использованием сведений, составляющих государственную тайну;
- Поставка специализированных компонентов (Xilinx, Altera, Analog Devices, Intersil, Interpoint, Microsemi, Aeroflex, Peregrine, Syfer, Eurofarad, Texas Instrument, Miteq, Cobham, E2V, MA-COM, Hittite, Mini-Circuits, General Dynamics и др.);

Помимо этого, одним из направлений компании «ЭлектроПласт» является направление «Источники питания». Мы предлагаем Вам помощь Конструкторского отдела:

- Подбор оптимального решения, техническое обоснование при выборе компонента;
- Подбор аналогов;
- Консультации по применению компонента;
- Поставка образцов и прототипов;
- Техническая поддержка проекта;
- Защита от снятия компонента с производства.



Как с нами связаться

Телефон: 8 (812) 309 58 32 (многоканальный)

Факс: 8 (812) 320-02-42

Электронная почта: org@eplast1.ru

Адрес: 198099, г. Санкт-Петербург, ул. Калинина, дом 2, корпус 4, литера А.