

UNO-PS/1AC/24DC/30W

Primary-switched power supply unit

Data sheet
105516_en_00

© PHOENIX CONTACT 2013-04-04



1 Description

The UNO POWER power supply unit impresses in worldwide use thanks to maximum energy efficiency. Low no-load losses and the high degree of efficiency save energy. Thanks to its high power density, the UNO POWER power supply unit is the ideal solution, particularly in compact control boxes.

Features

- Worldwide use thanks to input voltage range of 85 V AC ... 264 V AC
- Maximum system availability through reliable power supply with 24 V DC
- Maximum energy efficiency thanks to optimized efficiency over the entire operating range of the power supply unit and low no-load losses
- Particularly compact: 30 W of power from this narrow power supply unit, which is just 22.5 mm wide




Make sure you always use the latest documentation.
It can be downloaded from the product at phoenixcontact.net/products.

2	Table of contents	
1	Description	1
2	Table of contents	2
3	Ordering data	3
4	Technical data	4
5	Intended use	7
6	Structure	7
	6.1 Device elements	7
	6.2 Block diagram	7
7	Assembly	8
	7.1 Unpacking	8
	7.2 Mounting the power supply unit	8
	7.3 Mounting on a DIN rail	10
	7.4 Normal mounting position	10
8	Installing the power supply unit	11
	8.1 Safety regulations and installation notes	11
	8.2 Mains connection	11
	8.3 Device connections	12
	8.4 Connecting cables	12
9	Operating behavior of the power supply unit	13
	9.1 Normal operation	13
	9.2 Overload response	13
	9.3 Behavior at ambient temperatures > 55°C	13
	9.4 Behavior in the case of alternative mounting positions	14
10	Operating the power supply unit	17
	10.1 Function monitoring	17
	10.2 Operating power supply units in parallel	18
	10.3 Operating the power supply unit in series	19
11	Removal	19
	11.1 Removing the power supply unit	19
	11.2 Notes on disposal	19

3 Ordering data

Description	Type	Order No.	Pcs. / Pkt.
DIN rail power supply unit 24 V DC/30 W, primary-switched, single-phase	UNO-PS/1AC/24DC/30W	2902991	1

Accessories	Type	Order No.	Pcs. / Pkt.
Redundancy module, 5-24 V DC, 2x 5 A, 1x 10 A	STEP-DIODE/5-24DC/2X5/1X10	2868606	1

 Our range of accessories is being continually extended, our current range can be found in the download area.

4 Technical data

Input data	
Nominal input voltage range	100 V AC ... 240 V AC
AC input voltage range	85 V AC ... 264 V AC
AC frequency range	45 Hz ... 65 Hz
Current consumption	0.5 A (120 V AC) 0.3 A (230 V AC)
Inrush current limitation	< 20 A (typical)
I^2t	< 0.4 A ² s
Typical response time	< 1 s
Power failure bypass	> 25 ms (120 V AC) > 115 ms (230 V AC)
Protective circuit	Transient surge protection Varistor
Input fuse, integrated	2 A (slow-blow, internal)
Choice of suitable fuses	6 A ... 16 A (Characteristics B, C, D, K)
Input connection data	
Connection method	Screw connection
Conductor cross section, solid	0.2 mm ² ... 2.5 mm ²
Conductor cross section, stranded	0.2 mm ² ... 2.5 mm ²
Conductor cross section AWG/kcmil	24 ... 14
Stripping length	8 mm
Screw thread	M3
Tightening torque	0.5 Nm ... 0.6 Nm
Output data	
Nominal output voltage	24 V DC ±1%
Output current	1.25 A (-25°C ... 55°C)
Derating	55 °C ... 70 °C (2.5%/K)
Control deviation	< 1 % (change in load, static 10% ... 90%) < 2 % (Dynamic load change 10% ... 90%, 10 Hz) < 0.1 % (change in input voltage ±10%)
Ascent time	< 0.5 s (U_{OUT} (10% ... 90%))
Residual ripple	< 60 mV _{PP} (with nominal values)
Connection in parallel	yes, with redundancy module
Connection in series	Yes
Protection against surge voltage on the output	≤ 35 V DC
Resistance to reverse feed	< 35 V DC
Output connection data	
Connection method	Screw connection
Conductor cross section, solid	0.2 mm ² ... 2.5 mm ²
Conductor cross section, stranded	0.2 mm ² ... 2.5 mm ²
Conductor cross section AWG/kcmil	24 ... 14
Connection method	8 mm
Screw thread	M3
Tightening torque	0.5 Nm ... 0.6 Nm

Power consumption

Efficiency	> 88 % (for 230 V AC and nominal values)
Maximum power dissipation NO-Load	< 0.3 W
Power loss nominal load max.	< 5 W

General data

Insulation voltage input/output	4 kV AC (type test) 3 kV AC (routine test)
MTBF	> 500000 h (According to EN 29500)
Housing material	polycarbonate
Foot latch material	Plastic POM
Dimensions W / H / D	22.5 mm / 90 mm / 84 mm
Weight	0.15 kg

Security

Degree of protection	IP20
Protection class	II (in an enclosed control cabinet)
SELV	IEC 60950-1 (SELV) and EN 60204 (PELV)

Ambient conditions

Ambient temperature (operation)	-25 °C ... 70 °C (> 55° C derating)
Ambient temperature (storage/transport)	-40 °C ... 85 °C
Max. permissible relative humidity (operation)	≤ 95 % (at 25 °C, no condensation)
Vibration (operation)	< 15 Hz, amplitude ±2.5 mm (according to IEC 60068-2-6) 15 Hz ... 150 Hz, 2.3g, 90 min.
Shock	30 g in each direction, according to IEC 60068-2-27
Pollution degree	2
Climatic class	3K3 (in acc. with EN 60721)
Inflammability class in acc. with UL 94 (housing)	V0

Standards

Electrical Equipment for Machinery	EN 60204-1
Electrical safety (of information technology equipment - Safety - Part 1)	IEC 60950-1/VDE 0805 (SELV)
Electronic equipment for use in electrical power installations	EN 50178/VDE 0160 (PELV)
SELV	IEC 60950-1 (SELV) and EN 60204 (PELV)
Safe isolation	DIN VDE 0100-410
Protection against electric shock	DIN 57100-410
Limitation of mains harmonic currents	EN 61000-3-2
Network version/undervoltage	EN 61000-4-11
Information technology equipment - Safety (CB Scheme)	CB Scheme

Approvals

UL approvals	UL/C-UL listed UL 508 UL/C-UL Recognized UL 60950 NEC Class 2 as per UL 1310
CSA	CAN/CSA-C22.2 No. 60950-1-07 CSA-C22.2 No. 107.1-01

Conformance with EMC Directive 2004/108/EC

Noise immunity according to EN 61000-6-2

	EN 61000-6-2 requirement	Tested
Electrostatic discharge EN 61000-4-2		
Housing contact discharge	4 kV (Test intensity 2)	6 kV (Test intensity 3)
Housing air discharge	8 kV (Test intensity 3)	8 kV (Test intensity 3)
Comments	Criterion B	Criterion B
Electromagnetic HF field EN 61000-4-3		
Frequency range	80 MHz ... 1 GHz	80 MHz ... 1 GHz
Test field strength	10 V/m	10 V/m
Frequency range	1.4 GHz ... 2 GHz	1 GHz ... 2 GHz
Test field strength	3 V/m	10 V/m
Frequency range	2 GHz ... 2.7 GHz	2 GHz ... 3 GHz
Test field strength	1 V/m	10 V/m
Comments	Criterion A	Criterion A
Fast transients (burst) EN 61000-4-4		
Input	2 kV (Test intensity 3 - asymmetrical)	4 kV (Test intensity 4 - asymmetrical)
Output	2 kV (Test intensity 3 - asymmetrical)	2 kV (Test intensity 3 - asymmetrical)
Comments	Criterion B	Criterion A
Surge current loads (surge) EN 61000-4-5		
Input	1 kV (Test intensity 2 - symmetrical) 2 kV (Test intensity 3 - asymmetrical)	2 kV (Test intensity 3 - symmetrical) 4 kV (Test intensity 4 - asymmetrical)
Output	0.5 kV (Test intensity 1 - symmetrical) 0.5 kV (Test intensity 1 - asymmetrical)	1 kV (Test intensity 2 - symmetrical) 2 kV (Test intensity 3 - asymmetrical)
Comments	Criterion B	Criterion A
Conducted interference EN 61000-4-6		
Frequency range	10 kHz ... 80 MHz	10 kHz ... 80 MHz
Voltage	10 V (Test intensity 3)	10 V (Test intensity 3)
Comments	Criterion A	Criterion A
Criterion A	Normal operating behavior within the specified limits.	
Criterion B	Temporary impairment to operational behavior that is corrected by the device itself.	

Emitted interference in acc. with EN 61000-6-3

Radio interference voltage in acc. with EN 55011	EN 55011 (EN 55022) class B used in industry and residential area / EMC 1
Emitted radio interference in acc. with EN 55011	EN 55011 (EN 55022) class B used in industry and residential area / EMC 1



All technical specifications are nominal values and refer to a room temperature of 25°C and 70% relative humidity at 100 m above sea level.



Current approvals can be found for the product in the download area.

5 Intended use

This power supply unit features IP20 protection and is intended for installation in housing. It is suitable for use in industrial applications.

6 Structure

6.1 Device elements

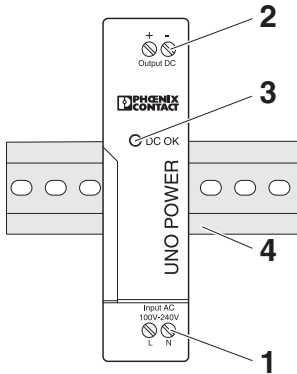
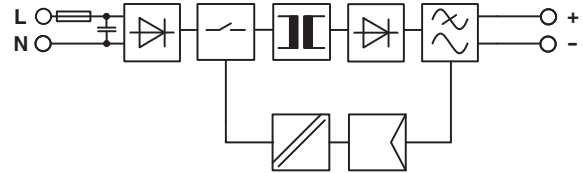









Figure 1 Device elements

1. Input voltage: Input AC L/N
2. Output voltage: Output DC +/-
3. Green LED: DC OK
4. Universal snap-on foot: 35 mm DIN rail according to EN 60715

6.2 Block diagram



Element	Meaning
	Fuse
	Decoupling
	Switch
	Transmitter
	Filter
	Disconnect transducer
	Controller

7 Assembly

7.1 Unpacking

Before mounting the power supply unit, it must be checked for damage:

- Take the device out of its packaging.
- Check the device for any damage sustained during transport.
- Retain the package slip for future use.
- Dispose of packaging in an environmentally-friendly way.

7.2 Mounting the power supply unit



The power supply unit is intended for installation in a distributor box or control cabinet.



The power supply unit is designed for convection cooling. Maintain a minimum distance from other devices in order to ensure convection cooling.

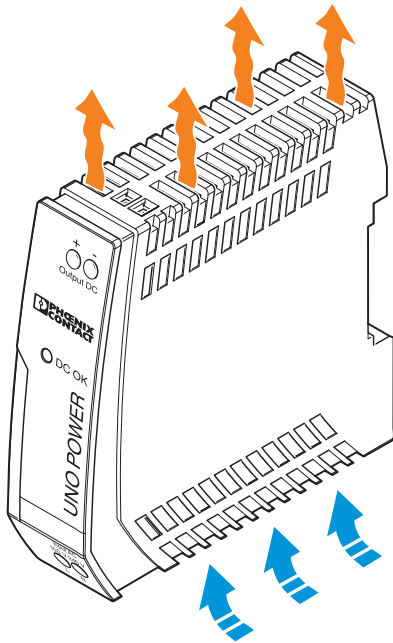
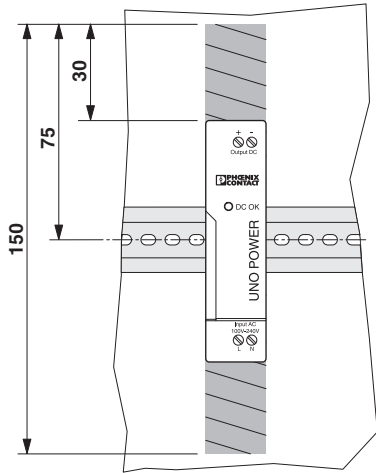


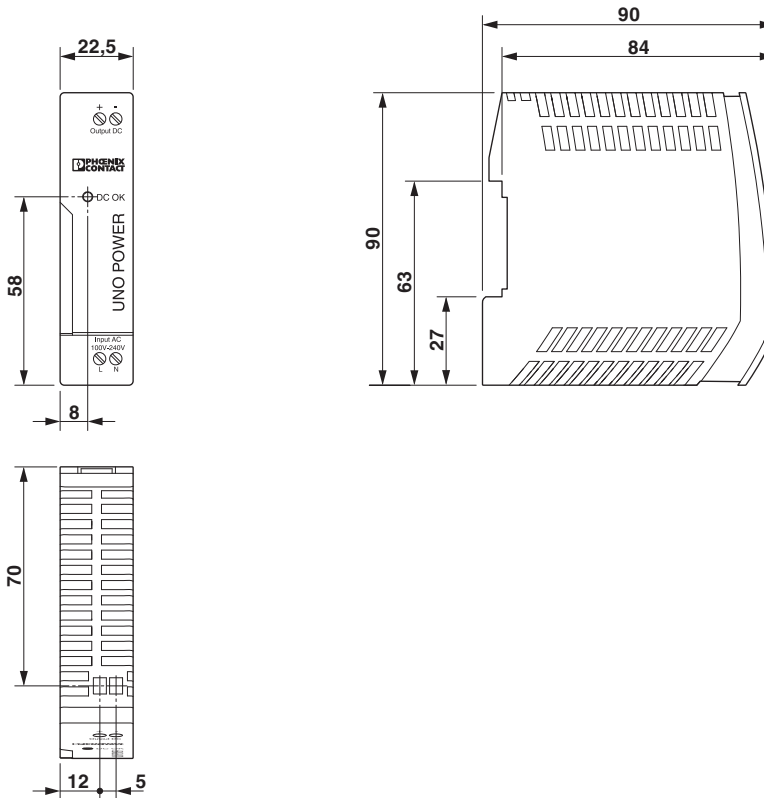
Figure 2 Convection

Please note the following before mounting the power supply unit:

- The minimum distance from other devices that must be observed in order to ensure convection cooling is: 30 mm vertically, 0 mm horizontally



- The device dimensions



7.3 Mounting on a DIN rail

The power supply unit can be installed on all 35 mm DIN rails according to EN 60175.

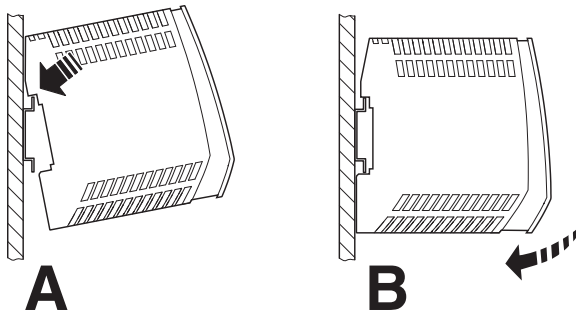


Figure 3 Mounting on a DIN rail

7.4 Normal mounting position

When installed, the input terminal blocks must be at the bottom and the output terminal blocks at the top.

If the power supply unit is installed in a mounting position other than the normal mounting position, the output power must be reduced.

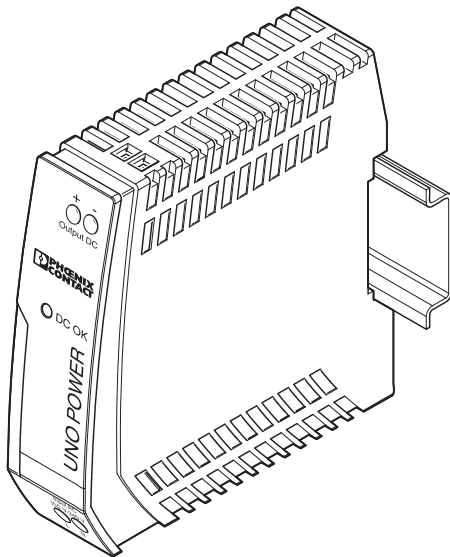


Figure 4 Normal mounting position

8 Installing the power supply unit

8.1 Safety regulations and installation notes



WARNING: risk of electric shock!

Only qualified specialist personnel may install, start up, and operate the device. Observe the national safety and accident prevention regulations.

Prior to installation, disconnect the input voltage and make sure that it cannot be switched on again unintentionally.

Mains connection must be performed by specialist personnel and protection against electric shock ensured.

Make sure that the device can be switched off outside the power supply according to the regulations in EN 60950 (e.g., by line protection on the primary side).

Cover termination area after installation in order to avoid accidental contact with live parts (e.g., by installing in a control cabinet).

Protect the device against ingress by foreign bodies, e.g., paper clips or metal parts.



WARNING:

Make sure that all supply lines are sufficiently dimensioned and have sufficient fuse protection.

Make sure that all output cables are dimensioned accordingly for the maximum device output current or have separate fuse protection.



NOTE:

Never open or repair the device yourself.

Internal fuses will only blow in the event of device malfunction. Do not modify or attempt to repair the device. Send the device to the factory for examination.

8.2 Mains connection

The device can be connected to single-phase AC or three-phase power grids (TN-S, TN-C, TT, and IT) while considering the nominal input voltage.



For operation on two of the phase conductors of a three-phase system, an isolating facility for all poles must be provided.

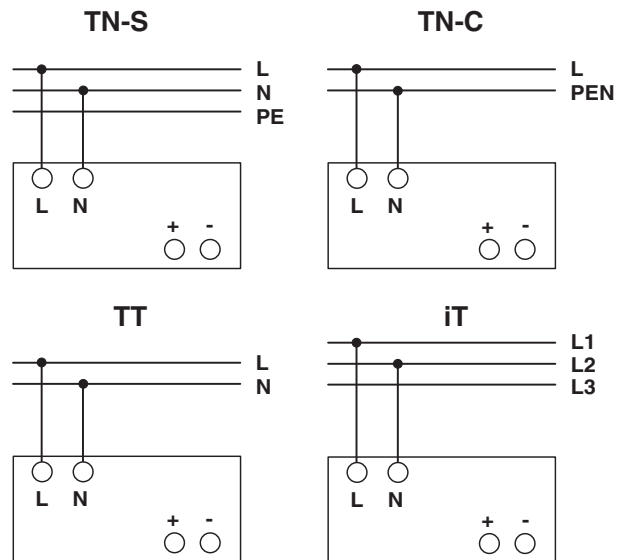


Figure 5 Network types

8.3 Device connections

Screw connection for input AC L/N

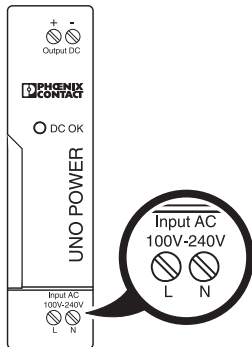


Figure 6 Screw connection for input AC L/N

Screw connection for output DC +/-

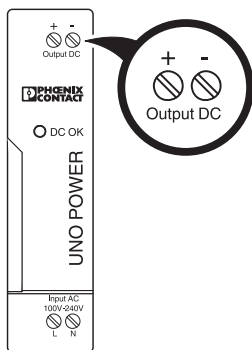


Figure 7 Screw connection for output DC +/-

8.4 Connecting cables



Use copper cables with an operating temperature > 75°C (ambient temperature < 55°C) and > 90°C (ambient temperature < 75°C).

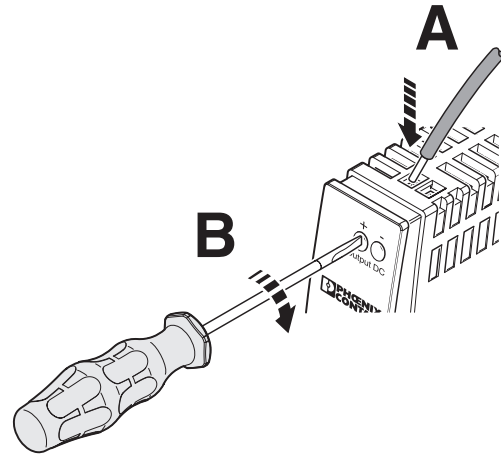


Figure 8 Connecting cables

1. Connect the supply lines to the input AC L/N connection terminal blocks.
2. Connect the output cables to the output DC +/- connection terminal blocks.

The power supply unit is operational as soon as the input terminal blocks are supplied with voltage.

9 Operating behavior of the power supply unit

9.1 Normal operation

In normal operation, the loads are supplied with a constant output voltage of 24 V DC.

9.2 Overload response

In the event of overload ($I > I_N$), the device reduces its output voltage. If the output voltage is greater than $U_N \times 0.9$, the green DC OK LED lights up. If the output voltage drops below $U_N \times 0.5$, the device shuts down. After a short time, the device attempts to start up again. If the overload has been rectified, it will start up as normal. If the overload has still not been rectified, it will shut down again and attempt to restart again (automatic restart).

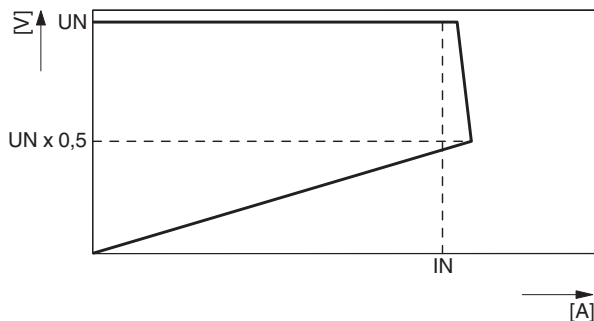


Figure 9 Output characteristic curve

9.3 Behavior at ambient temperatures > 55°C

At an ambient temperature of up to 55°C, the power supply unit supplies the nominal output current. At ambient temperatures upwards of 55°C, the output power must be reduced by 2.5% per Kelvin temperature increase (temperature-dependent derating).

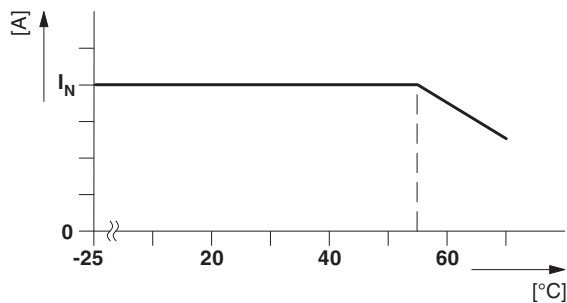


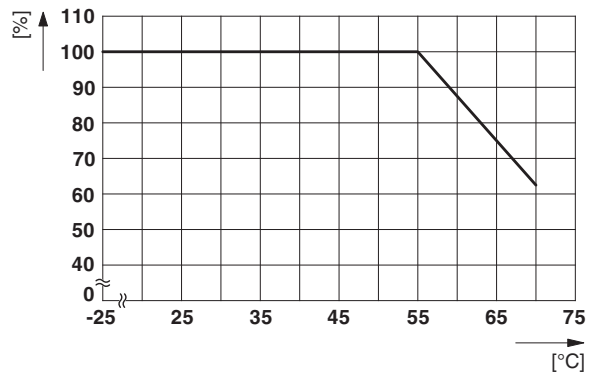
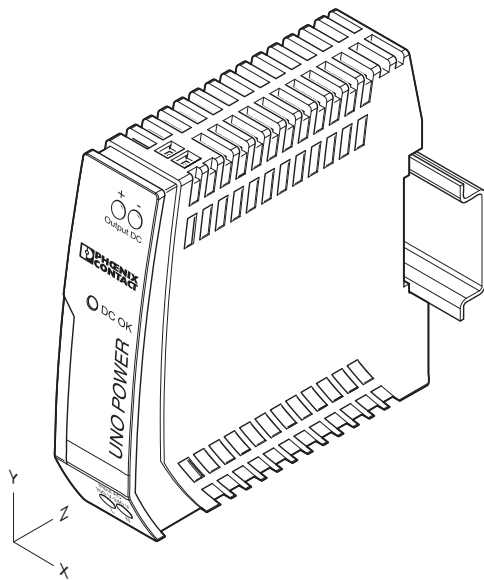
Figure 10 Temperature-dependent derating

9.4 Behavior in the case of alternative mounting positions

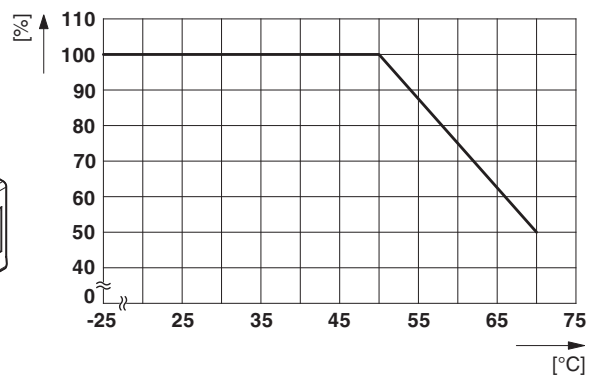
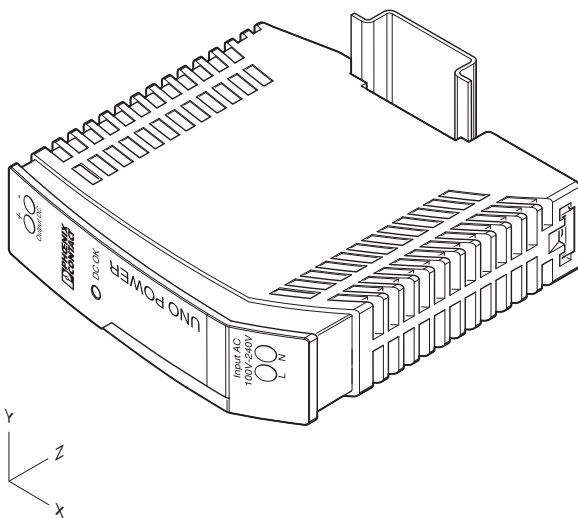
For mounting positions that differ from the normal mounting position, the output power must be reduced (position-dependent derating).

The characteristic curve can be used to determine the maximum output power to be drawn for each ambient temperature for different mounting positions.

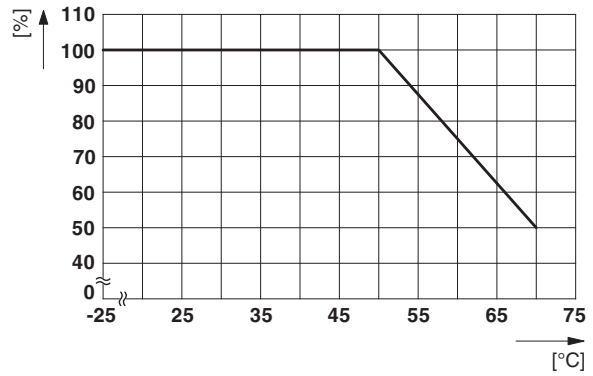
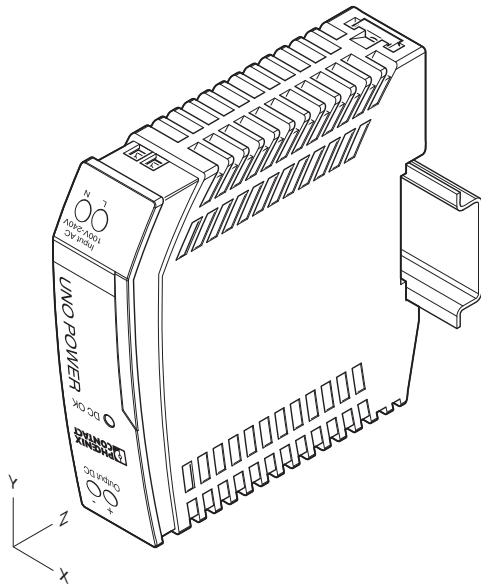
Normal mounting position



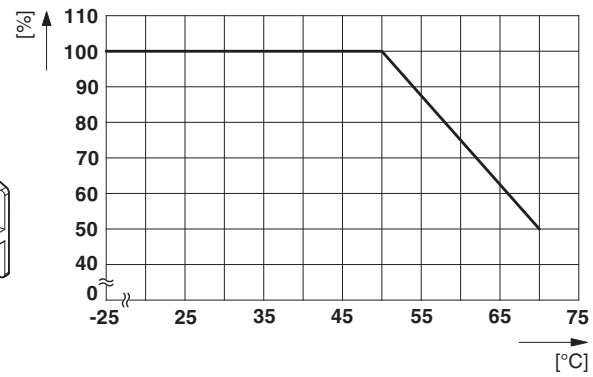
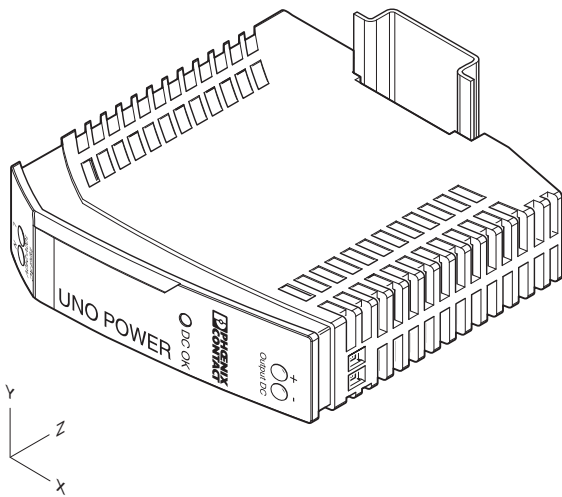
Rotated mounting position 90° X-axis



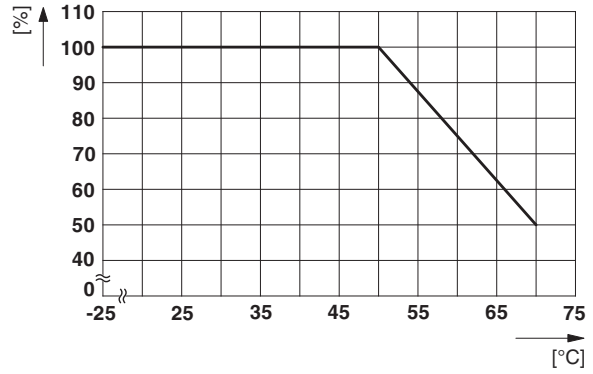
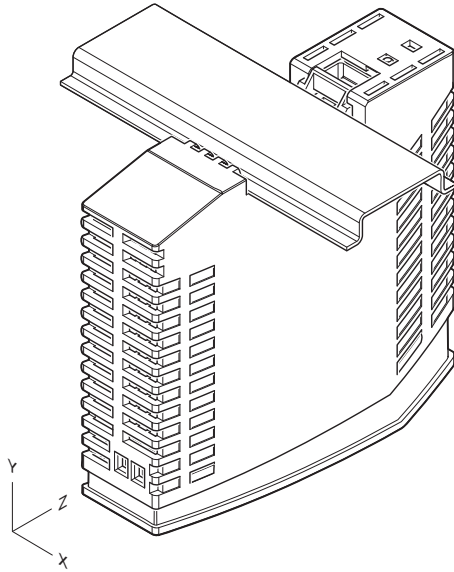
Rotated mounting position 180° X-axis



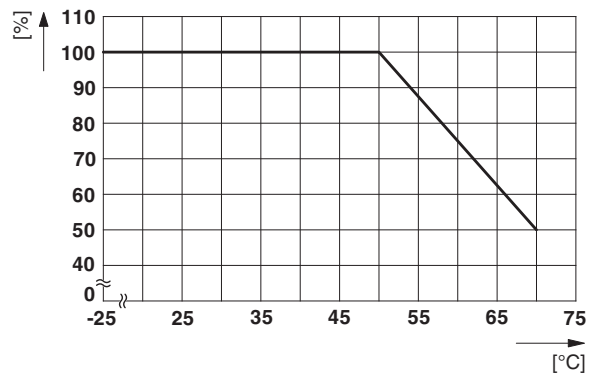
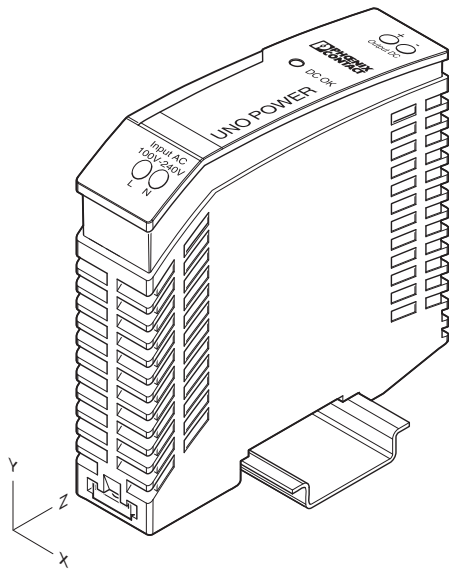
Rotated mounting position 270° X-axis



Rotated mounting position 90° Z-axis



Rotated mounting position 270° Z-axis



10 Operating the power supply unit

10.1 Function monitoring

DC OK LED

The DC OK LED is available for visual function monitoring of the power supply unit.

	Status 1	Status 2
DC OK LED	Lit	OFF
Meaning	Output voltage > 21.5 V	Output voltage < 21.5 V DC, overload mode or no mains voltage
State description	The device is operating, output voltage and output current are OK	The device is in operation, but there is a fault on the side of the consumer; the current consumption is greater than I_N or the output is short-circuited. The device is out of operation because there is no mains voltage, the fuse on the primary side has been triggered, or the device is faulty.
Remedy		Remove the error at the load, use a more powerful power supply unit, connect a power supply unit of the same type parallel to the existing device, remove the short circuit, apply mains voltage, enable the fuse again or replace the power supply unit.

10.2 Operating power supply units in parallel

Power supply units of the same type can be connected in parallel to increase both redundancy and power.



To ensure symmetrical current distribution, all cable connections from the power supply unit to the busbar must be the same length and have the same conductor cross section.

Redundant operation

Redundant circuits are suitable for supplying systems which place particularly high demands on operational safety. If a fault occurs in the primary circuit of the first power supply unit, the second device automatically takes over the complete power supply without interruption, and vice versa.

Using a redundancy module, it is possible for two power supply units of the same type that are connected in parallel on the output side for redundancy to be decoupled from one another.

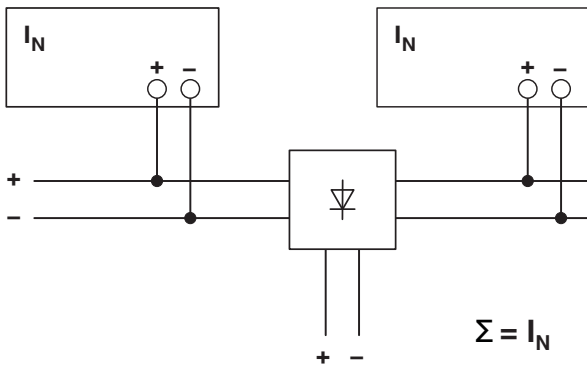


Figure 11 Redundant circuit with redundancy module

Increased performance

Power supply units of the same type can be connected in parallel to increase the power to $n \times I_N$. Parallel connection is recommended if existing systems are to be extended and the power supply unit that is installed here does not cover the current consumption of the most powerful load. Otherwise, the loads should be distributed between individual devices that are independent of one another.

Using a redundancy module, it is possible for two power supply units of the same type that are connected in parallel on the output side to increase power to be decoupled from one another.

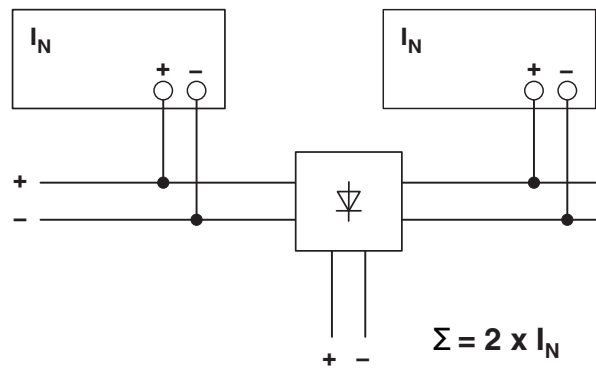


Figure 12 Parallel connection to increase power with a redundancy module

10.3 Operating the power supply unit in series

Two devices can be connected in series to double the voltage. Only power supply units of the same type should be connected in series. Series connection should always be used when the output voltage of the module is not sufficient. For example, devices with 24 V DC nominal output voltage each supply 48 V DC in series. Depending on the specification of functional earth ground, output voltages of + 48 V/- 48 V as well as ± 24 V DC can also be made available.

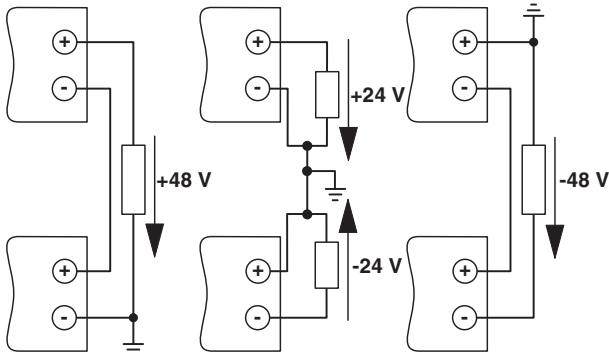


Figure 13 Series operation

11 Removal

11.1 Removing the power supply unit

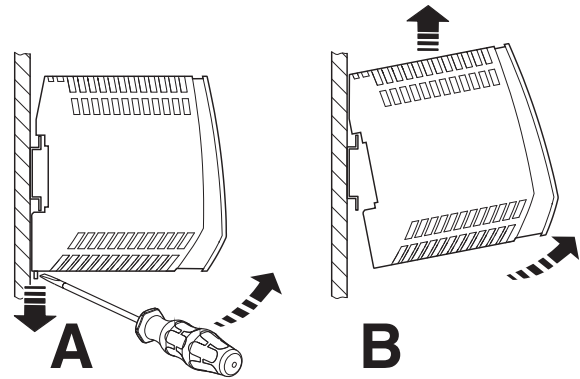


Figure 14 Removal

11.2 Notes on disposal



Do not dispose of the power supply unit with household waste. It should be disposed of in accordance with the currently applicable national regulations.



Компания «ЭлектроПласт» предлагает заключение долгосрочных отношений при поставках импортных электронных компонентов на взаимовыгодных условиях!

Наши преимущества:

- Оперативные поставки широкого спектра электронных компонентов отечественного и импортного производства напрямую от производителей и с крупнейших мировых складов;
- Поставка более 17-ти миллионов наименований электронных компонентов;
- Поставка сложных, дефицитных, либо снятых с производства позиций;
- Оперативные сроки поставки под заказ (от 5 рабочих дней);
- Экспресс доставка в любую точку России;
- Техническая поддержка проекта, помощь в подборе аналогов, поставка прототипов;
- Система менеджмента качества сертифицирована по Международному стандарту ISO 9001;
- Лицензия ФСБ на осуществление работ с использованием сведений, составляющих государственную тайну;
- Поставка специализированных компонентов (Xilinx, Altera, Analog Devices, Intersil, Interpoint, Microsemi, Aeroflex, Peregrine, Syfer, Eurofarad, Texas Instrument, Miteq, Cobham, E2V, MA-COM, Hittite, Mini-Circuits, General Dynamics и др.);

Помимо этого, одним из направлений компании «ЭлектроПласт» является направление «Источники питания». Мы предлагаем Вам помощь Конструкторского отдела:

- Подбор оптимального решения, техническое обоснование при выборе компонента;
- Подбор аналогов;
- Консультации по применению компонента;
- Поставка образцов и прототипов;
- Техническая поддержка проекта;
- Защита от снятия компонента с производства.



Как с нами связаться

Телефон: 8 (812) 309 58 32 (многоканальный)

Факс: 8 (812) 320-02-42

Электронная почта: org@eplast1.ru

Адрес: 198099, г. Санкт-Петербург, ул. Калинина, дом 2, корпус 4, литера А.