

## Description

Three pole, aircraft style thermal circuit breaker with trip-free mechanism and push/pull on/off manual actuation. An indicator band on the push button clearly shows the tripped/off position. Threadneck panel mounted, temperature compensated, with optional auxiliary contacts. The robust design is well suited to extremely harsh conditions. In the event of an overload in one, two or three phases all three poles will be disconnected.

Various dummies are available without protective function, allowing connection of pre-installed wiring without loads.

## Typical applications

Land vehicles, aircraft, watercraft, special vehicles.

## Ordering information

### Type No.

**5140** High performance thermal circuit breaker with temperature compensation

### Mounting

**G** threadneck panel mounting

### Threadneck design

**1** M12x0.75x7 alu, blackened, 1 location pin

**2** M12x0.75x7 alu, blackened, 2 location pins

### Number of poles

**3** 3-pole, protected

### Hardware for threadneck

**3** hex nut M12x0.75, alu, serrated lock-washer 12.1/17.2, bulk

### Terminal design (main terminals)

**J1** screw terminals with inch thread (8-32UNC-2B)

**J2** screw terminals with inch thread (8-32UNC-2B) on one side, busbar terminals on other side, with hole bent at 60 °

**J3** screw terminals with inch thread (8-32UNC-2B) on one side, busbar terminals on other side, with hole bent at 40 °

### Characteristic curve

**M1** thermal 1.1 - 1.45 I<sub>N</sub>

### Accessories terminal screws & terminal washers

**M6** hex screw with Phillips head 8-32UNC-3Ax7.6 & lock washer 4.3/9 bulk

**Z0** without accessories

### Auxiliary contact

**S0TN** without auxiliary contact, with barrier, black

**S5TG** with aux. contact (N/C) (female contact for male contacts to EN3155-016M2018), with barrier, green

### Current ratings

**20...50 A**

**5140 - G 1 3 3 - J1 M1 - M6 S5TG-20 A** ordering example

Please be informed that we have minimum ordering quantities to be observed.



without auxiliary contact

**5140**

with auxiliary contact

## Technical data

For further details please see: [www.e-t-a.de/ti\\_e](http://www.e-t-a.de/ti_e)

Voltage rating	3 AC 200 V (300 Hz to 800 Hz); DC 28 V	
Current rating range	20...50 A	
Auxiliary circuit	0.5 A, DC 28 V	
Typical life	5,000 operations mechanical and 2,500 operations at I <sub>N</sub>	
Ambient temperature	-55...+125 °C (-67...+257 °F)	
Temperature compensation	-55...+90 °C (-67...+194 °F)	
Insulation co-ordination (IEC 60664)	rated impulse withstand voltage 1.5 kV	pollution degree 3
Dielectric strength	test voltage	
	operating area	AC 1,500 V
	pole/pole	AC 1,500 V
	main to aux. circuit	AC 1,500 V
Insulation resistance	> 100 MΩ (DC 500 V)	
Interrupting capacity I <sub>cn</sub>	2,000 A	
Degree of protection (IEC 60529)	operating area IP40 terminal area IP00	
Vibration (sinusoidal)	± 0.76 mm (5-80 Hz) 10 g (80-500 Hz), 5 g (500-2000 Hz) to EN 2350 para 5.3.1 and ISO 7137	
Vibration (random)	0.04 g <sup>2</sup> /Hz (40-500 Hz) 5.8 g rms (10-2000 Hz) to ISO 7137	
Acceleration	17 g, to EN 2350, para 5.3.3 and ISO 2669	
Shock	50 g (11 ms), to EN 2350 para 5.3.2 and ISO 7137	
Corrosion	48 hours at 5 % salt mist to EN 2350 para 5.4.2 and ISO 7137	
Humidity	240 hours at 95 % RH, to EN 2350 para 5.4.3 and ISO 7137	
Altitude	≤ 15,000 m above sea level	
Mass	approx. 144 g with accessories and without auxiliary contact approx. 150 g with accessories and with auxiliary contact	

## Standard current ratings and typical volt drop values

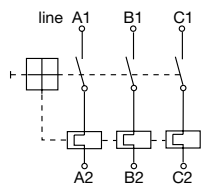
Current rating (A)	Volt drop per pole (mV)
20	150
25	150
30	150
35	150
40	120
45	120
50	120

## Approvals

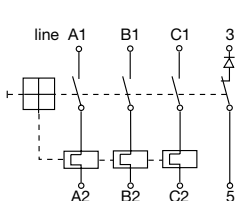
Authority	Standard	Voltage ratings	Current ratings
Airbus	EN 3662-005	AC 115 V, 400 Hz DC 28 V	20...50 A 20...50 A
	EN 3662-006	AC 115 V, 400 Hz DC 28 V	20...50 A 20...50 A

## Internal connection diagrams

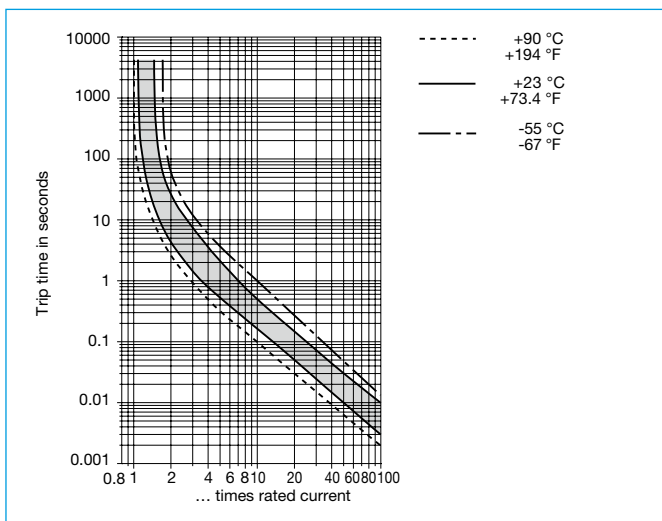
without auxiliary contact



with polarized auxiliary contact

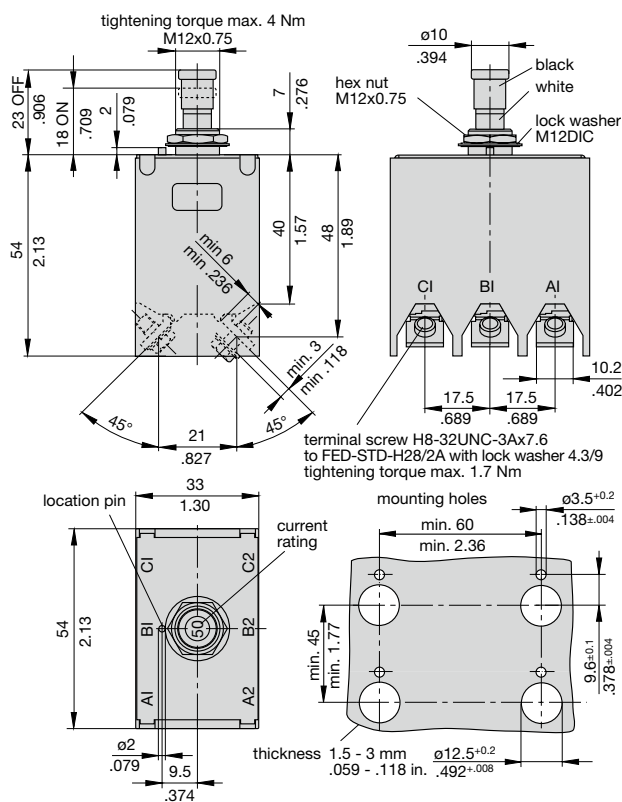


## Typical time/current characteristics

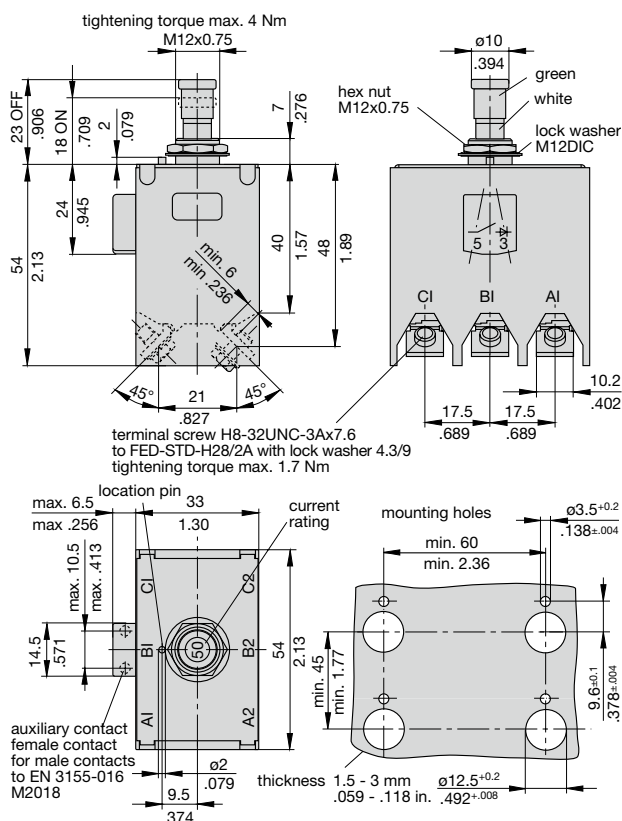


## Dimensions

5140-G132-J1M1-Z0S0TN (NSA 931 323; prEN 2665-004)  
5140-G132-J1M1-M6S0TN (NSA 931 323; prEN 2665-004)



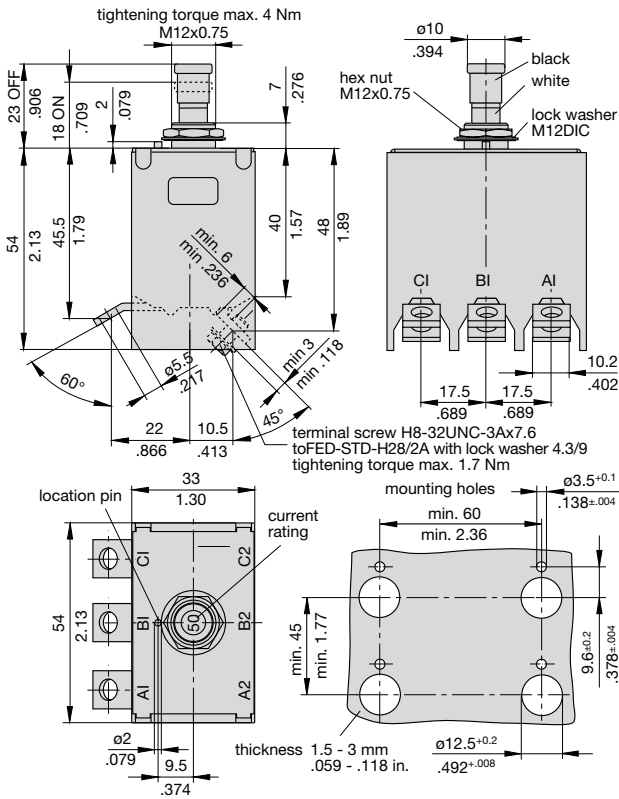
5140-G132-J1M1-Z0S5TG (ASNE 0733-005; EN 3662-005)  
5140-G132-J1M1-M6S5TG (ASNE 0733-005; EN 3662-005)



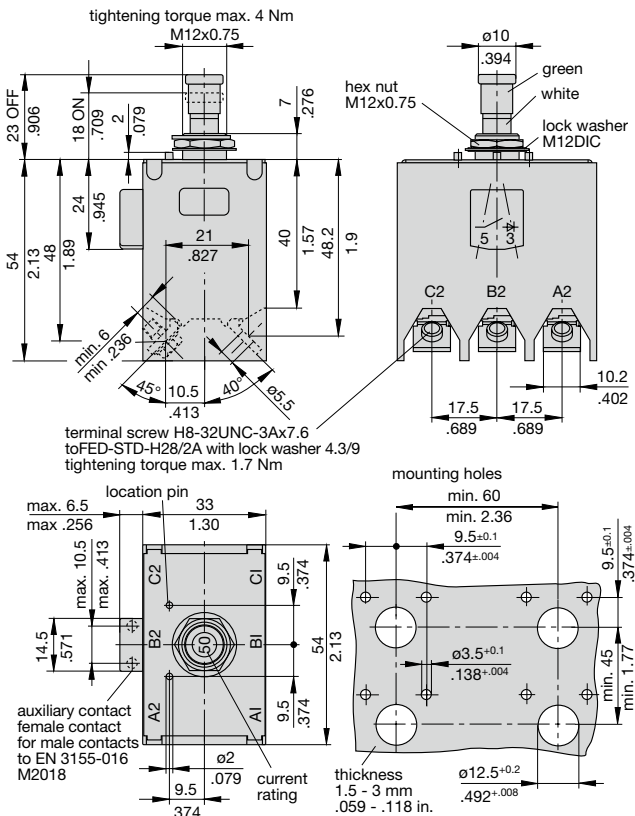
This is a metric design and millimeter dimensions take precedence ( $\frac{\text{mm}}{\text{inch}}$ )

## Dimensions

**5140-G132-J2M1-ZOS0TN (ASNE 0459)**  
**5140-G132-J2M1-M6S0TN (ASNE 0459)**



**5140-G232-J3M1-ZOS5TG (ASNE 0733-006; EN 3662-006)**  
**5140-G232-J3M1-M6S5TG (ASNE 0733-006; EN 3662-006)**



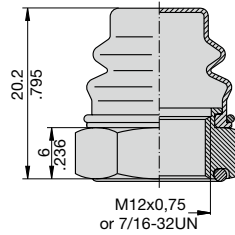
## Accessories

**Splash cover/hex nut assembly with O ring (IP66 and IP67)**  
**X 200 801 15** black anodised nut M12x0.75x6, black cover

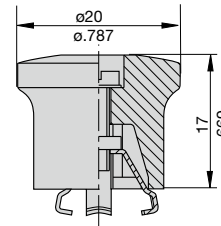
**Splash cover/hex nut assembly with O ring (IP66 and IP67)**  
**X 200 801 16** black anodised nut 7/16-32UNx6, black cover

**Splash cover/hex nut assembly with O ring (IP66 and IP67)**  
**X 200 801 17** black anodised nut 7/16-32UNx6, transparent cover

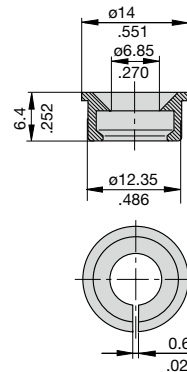
**Splash cover/hex nut assembly with O ring (IP66 and IP67)**  
**X 200 801 18** black anodised nut M12x0.75x6, transparent cover



**Actuator extension (black) to be fitted on the push button**  
**X 200 803 01** (approved to VG 95345, part 23)



**Identification collar to be snapped on the push button**  
**Y 307 004 01** black  
**Y 307 004 02** white  
**Y 307 004 03** red  
**Y 307 004 04** green  
**Y 307 004 05** blue



This is a metric design and millimeter dimensions take precedence ( $\frac{\text{mm}}{\text{inch}}$ )

All dimensions without tolerances are for reference only. In the interest of improved design, performance and cost effectiveness the right to make changes in these specifications without notice is reserved. Product markings may not be exactly as the ordering codes. Errors and omissions excepted.





Компания «ЭлектроПласт» предлагает заключение долгосрочных отношений при поставках импортных электронных компонентов на взаимовыгодных условиях!

Наши преимущества:

- Оперативные поставки широкого спектра электронных компонентов отечественного и импортного производства напрямую от производителей и с крупнейших мировых складов;
- Поставка более 17-ти миллионов наименований электронных компонентов;
- Поставка сложных, дефицитных, либо снятых с производства позиций;
- Оперативные сроки поставки под заказ (от 5 рабочих дней);
- Экспресс доставка в любую точку России;
- Техническая поддержка проекта, помощь в подборе аналогов, поставка прототипов;
- Система менеджмента качества сертифицирована по Международному стандарту ISO 9001;
- Лицензия ФСБ на осуществление работ с использованием сведений, составляющих государственную тайну;
- Поставка специализированных компонентов (Xilinx, Altera, Analog Devices, Intersil, Interpoint, Microsemi, Aeroflex, Peregrine, Syfer, Eurofarad, Texas Instrument, Miteq, Cobham, E2V, MA-COM, Hittite, Mini-Circuits, General Dynamics и др.);

Помимо этого, одним из направлений компании «ЭлектроПласт» является направление «Источники питания». Мы предлагаем Вам помощь Конструкторского отдела:

- Подбор оптимального решения, техническое обоснование при выборе компонента;
- Подбор аналогов;
- Консультации по применению компонента;
- Поставка образцов и прототипов;
- Техническая поддержка проекта;
- Защита от снятия компонента с производства.



#### Как с нами связаться

**Телефон:** 8 (812) 309 58 32 (многоканальный)

**Факс:** 8 (812) 320-02-42

**Электронная почта:** [org@eplast1.ru](mailto:org@eplast1.ru)

**Адрес:** 198099, г. Санкт-Петербург, ул. Калинина, дом 2, корпус 4, литера А.