

Thin Film Platinum RTDs  
**HRTS Series**



# Thin Film Platinum RTDs

The HRTS Series Thin Film Platinum RTDs (Resistance Temperature Detectors) are designed to measure temperatures from -70 °C to 260 °C [-94 °F to 500 °F]. These fully-assembled elements are ready to use in probe assemblies without the need for fragile splices to extension leads.

These products are manufactured using a thin layer of platinum deposited on an alumina substrate and are laser trimmed to a resistance interchangeability of a standard  $\pm 0.2\%$  ( $\pm 0.5$  °C accuracy) or an optional  $\pm 0.1\%$  ( $\pm 0.3$  °C accuracy). The sensor chip is then glassed, wired and potted to result in an alumina package with Teflon®-insulated lead wires.

## Key Features

- Linear resistance vs temperature
- Interchangeable resistance
- Accurate
- Fast response
- Laser trimmed
- Ceramic case material
- TFE Teflon® lead wires
- Ready-to-use, fully-assembled elements

## Potential Applications

Temperature sensing for monitoring, compensation and regulation in:

### INDUSTRIAL

- HVAC equipment
- Instrument and probe assemblies
- Process control for temperature regulation
- Motor windings and bearings
- Battery packs
- Environmental chambers

### MEDICAL

- Autoclaves

### AEROSPACE AND DEFENSE

- Aircraft
- Space vehicles
- Satellites
- Rovers

# Thin Film Platinum RTDs, HRTS Series

**Table 1. Specifications**

Characteristic	Condition	Parameter
Alpha: R <sub>0</sub> = 1000 Ω R <sub>0</sub> = 100 Ω	0 °C	0.00375 Ω/Ω/°C 0.00385 Ω/Ω/°C
Temperature range:	—	-70 °C to 260 °C [-94 °F to 500 °F]
Temperature accuracy: R <sub>0</sub> ±0.2% trim (standard) R <sub>0</sub> ±0.1% trim (optional)	—	±0.5 °C or 0.8% of temperature, whichever is greater ±0.3 °C or 0.6% of temperature, whichever is greater
Time constant, 1/e	metal surfaces	0.6 s typ.
Operating current	—	2 mA max. for self heating errors of 1 °C; 1 mA recommended
Self heating	—	0.3 mW/°C
Construction material: case leads	—	alumina nickel-coated stranded copper, Teflon® insulated

**Table 2. Constant Values (β = 0 and C = 0 for T > 0 °C)**

Constant	1000 Ω	100 Ω	Functional Behavior
Alpha α (°C <sup>-1</sup> )	0.00375 ±0.000029	0.003850 ±0.000010	$R_T = R_0(1 + AT + BT^2 - 100CT^3 + CT^4)$  Where: R <sub>T</sub> = Resistance (Ω) at temperature T (°C) R <sub>0</sub> = Resistance (Ω) at 0 °C T = Temperature (°C) $A = \alpha + \frac{\alpha\delta}{100}$ $B = -\frac{\alpha\delta}{100^2}$ $C_{T=0} = -\frac{\alpha\beta}{100^4}$
Delta δ (°C)	1.605 ±0.009	1.4999 ±0.007	
Beta β (°C)	0.16	0.10863	
A (°C <sup>-1</sup> )	3.81 x 10 <sup>-3</sup>	3.908 x 10 <sup>-3</sup>	
B (°C <sup>-2</sup> )	-6.02 x 10 <sup>-7</sup>	-5.775 x 10 <sup>-7</sup>	
C (°C <sup>-4</sup> )	-6.0 x 10 <sup>-12</sup>	-4.183 x 10 <sup>-12</sup>	

**Table 3. Accuracy vs Temperature**

Temperature (°C)	Tolerance			
	Standard Trim (±0.2%)		Optional Trim (±0.1%)	
	±ΔR <sup>1</sup> (Ω)	±ΔT (°C)	±ΔR <sup>1</sup> (Ω)	±ΔT (°C)
-100	2.9	0.8	2.4	0.6
0	2.0	0.5	1.0	0.3
100	2.9	0.8	2.2	0.6
200	5.6	1.6	4.3	1.2
300	8.2	2.4	6.2	1.8
400	11.0	3.2	8.3	2.5
500	12.5	4.0	9.6	3.0
600	15.1	4.8	10.4	3.3

<sup>1</sup>1000 Ω RTD. Divide Δ by 10 for 100 Ω RTD.

# Thin Film Platinum RTDs, HRTS Series

Figure 1. Resistance vs Temperature

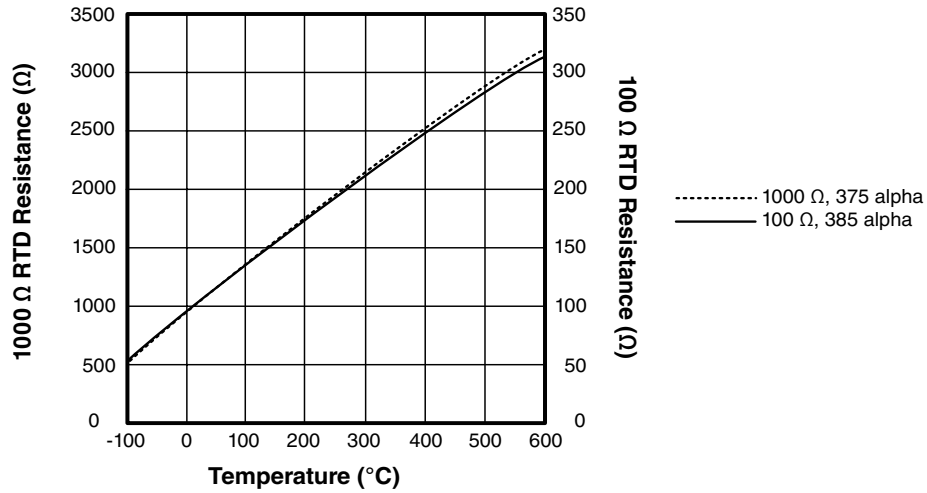
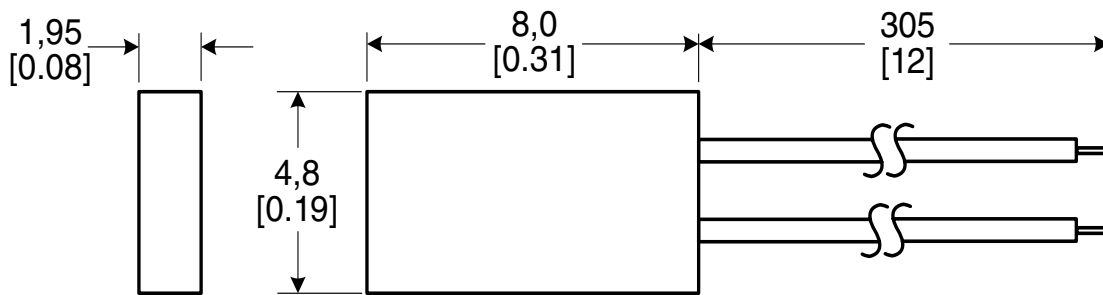


Figure 2. Mounting Dimensions (For reference only. mm/[in].)



## CAUTION PRODUCT DAMAGE

- Ensure proper ESD (Electrostatic Discharge) precautions are followed when handling this product.

**Failure to comply with these instructions may result in product damage.**

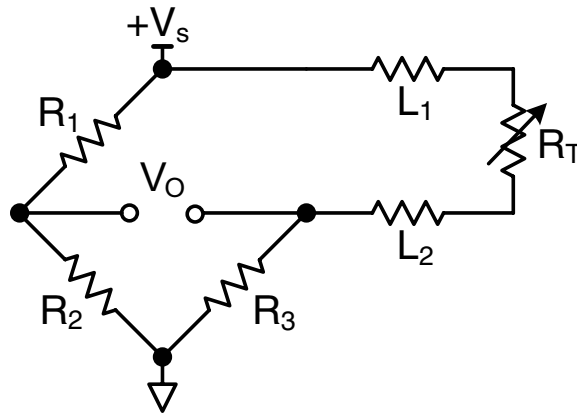
Table 4. Order Guide

Catalog Listing	Description
HRTS-5760-B-T-0-12	HRTS Series platinum thin film RTD with two, 28 gauge TFE Teflon®-insulated leadwires, a resistance and alpha of 100 Ω: 0.00385 Ω/Ω/°C, a standard ±0.2% trim resistance, and 305 mm [12 in] leadwires
HRTS-5760-B-T-1-12	HRTS Series platinum thin film RTD with two, 28 gauge TFE Teflon®-insulated leadwires, a resistance and alpha of 100 Ω: 0.00385 Ω/Ω/°C, an optional ±0.1% trim resistance, and 305 mm [12 in] leadwires
HRTS-5760-B-U-0-12	HRTS Series platinum thin film RTD with two, 28 gauge TFE Teflon®-insulated leadwires, a resistance and alpha of 1000 Ω: 0.00375 Ω/Ω/°C, a standard ±0.2% trim resistance, and 305 mm [12 in] leadwires
HRTS-5760-B-U-1-12	HRTS Series platinum thin film RTD with two, 28 gauge TFE Teflon®-insulated leadwires, a resistance and alpha of 1000 Ω: 0.00375 Ω/Ω/°C, an optional ±0.1% trim resistance, and 305 mm [12 in] leadwires

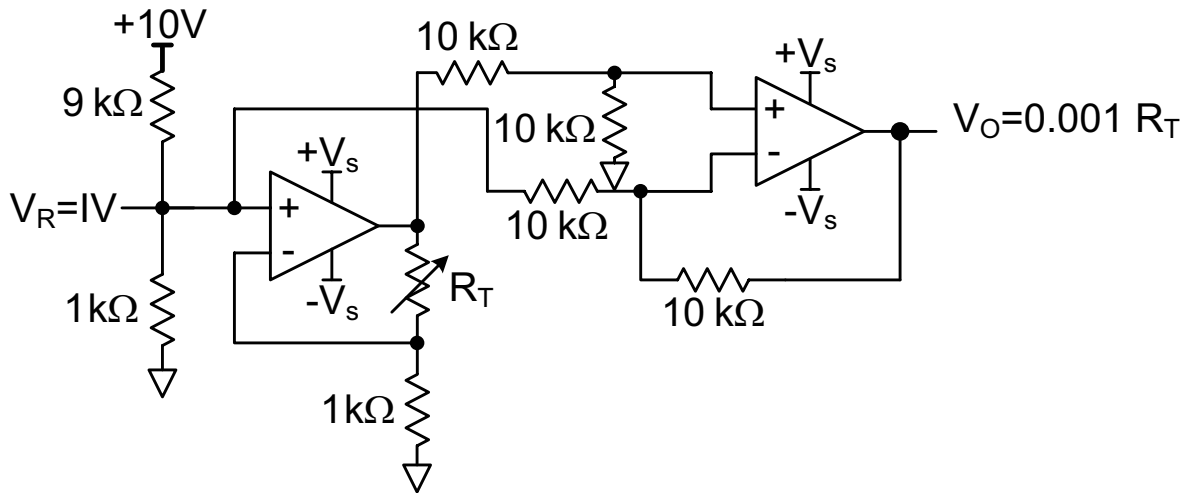
# Thin Film Platinum RTDs, HRTS Series

Figure 3. Circuits

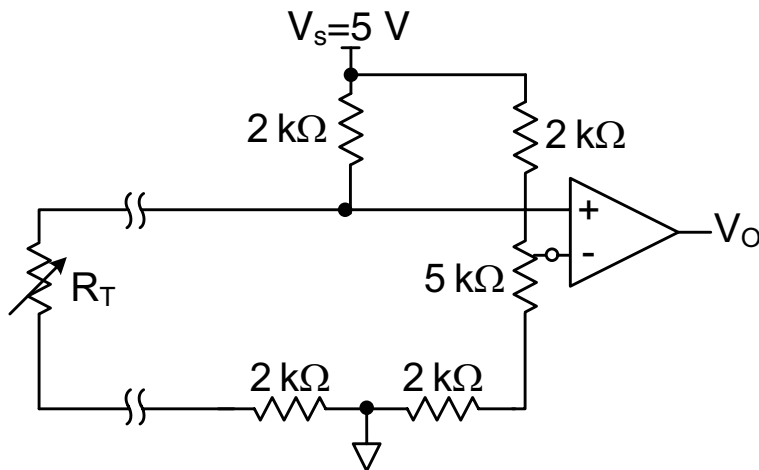
## Wheatstone Bridge 2-Wire Interface



## Linear Output Voltage



## Adjustable Point (Comparator) Interface



## ADDITIONAL INFORMATION

The following associated literature is available at [sensing.honeywell.com](http://sensing.honeywell.com):

- Temperature Sensors Line Guide
- Thermal Sensors Range Guide

### Find out more

Honeywell serves its customers through a worldwide network of sales offices, representatives and distributors. For application assistance, current specifications, pricing or name of the nearest Authorized Distributor, contact your local sales office.

To learn more about Honeywell's sensing and control products, call **+1-815-235-6847** or **1-800-537-6945**, visit **[sensing.honeywell.com](http://sensing.honeywell.com)**, or e-mail inquiries to **[info.sc@honeywell.com](mailto:info.sc@honeywell.com)**

Sensing and Control  
Honeywell  
1985 Douglas Drive North  
Golden Valley, MN 55422  
**[honeywell.com](http://honeywell.com)**

### **⚠ WARNING** **PERSONAL INJURY**

DO NOT USE these products as safety or emergency stop devices or in any other application where failure of the product could result in personal injury.

**Failure to comply with these instructions could result in death or serious injury.**

### **⚠ WARNING** **MISUSE OF DOCUMENTATION**

- The information presented in this product sheet is for reference only. Do not use this document as a product installation guide.
- Complete installation, operation, and maintenance information is provided in the instructions supplied with each product.

**Failure to comply with these instructions could result in death or serious injury.**

## WARRANTY/REMEDY

Honeywell warrants goods of its manufacture as being free of defective materials and faulty workmanship. Honeywell's standard product warranty applies unless agreed to otherwise by Honeywell in writing; please refer to your order acknowledgement or consult your local sales office for specific warranty details. If warranted goods are returned to Honeywell during the period of coverage, Honeywell will repair or replace, at its option, without charge those items it finds defective. **The foregoing is buyer's sole remedy and is in lieu of all other warranties, expressed or implied, including those of merchantability and fitness for a particular purpose. In no event shall Honeywell be liable for consequential, special, or indirect damages.**

While we provide application assistance personally, through our literature and the Honeywell website, it is up to the customer to determine the suitability of the product in the application.

Specifications may change without notice. The information we supply is believed to be accurate and reliable as of this printing. However, we assume no responsibility for its use.

# Honeywell



Компания «ЭлектроПласт» предлагает заключение долгосрочных отношений при поставках импортных электронных компонентов на взаимовыгодных условиях!

Наши преимущества:

- Оперативные поставки широкого спектра электронных компонентов отечественного и импортного производства напрямую от производителей и с крупнейших мировых складов;
- Поставка более 17-ти миллионов наименований электронных компонентов;
- Поставка сложных, дефицитных, либо снятых с производства позиций;
- Оперативные сроки поставки под заказ (от 5 рабочих дней);
- Экспресс доставка в любую точку России;
- Техническая поддержка проекта, помощь в подборе аналогов, поставка прототипов;
- Система менеджмента качества сертифицирована по Международному стандарту ISO 9001;
- Лицензия ФСБ на осуществление работ с использованием сведений, составляющих государственную тайну;
- Поставка специализированных компонентов (Xilinx, Altera, Analog Devices, Intersil, Interpoint, Microsemi, Aeroflex, Peregrine, Syfer, Eurofarad, Texas Instrument, Miteq, Cobham, E2V, MA-COM, Hittite, Mini-Circuits, General Dynamics и др.);

Помимо этого, одним из направлений компании «ЭлектроПласт» является направление «Источники питания». Мы предлагаем Вам помощь Конструкторского отдела:

- Подбор оптимального решения, техническое обоснование при выборе компонента;
- Подбор аналогов;
- Консультации по применению компонента;
- Поставка образцов и прототипов;
- Техническая поддержка проекта;
- Защита от снятия компонента с производства.



#### Как с нами связаться

**Телефон:** 8 (812) 309 58 32 (многоканальный)

**Факс:** 8 (812) 320-02-42

**Электронная почта:** [org@eplast1.ru](mailto:org@eplast1.ru)

**Адрес:** 198099, г. Санкт-Петербург, ул. Калинина, дом 2, корпус 4, литера А.