



Recommended Noise Filter
NAC-06-472



High voltage pulse noise type : NAP series
Low leakage current type : NAM series
*The Noise Filter is recommended to connect with several devices.

- ① Series name
- ② Output wattage
- ③ Universal input
- ④ Output voltage
- ⑤ Optional
- C : with Coating
- G : Low leakage current
- J2 : Mini terminal block
- R : with Remote ON/OFF
- S : with Chassis
- SN : with Chassis & cover
- Y : with Potentiometer

| MODEL | LEA150F-3R3-Y | LEA150F-5 | LEA150F-9 | LEA150F-12 | LEA150F-15 | LEA150F-18 | LEA150F-24 | LEA150F-24-H | LEA150F-30 | LEA150F-48 |
|-----------------------|---------------|-----------|-----------|------------|------------|------------|------------|---------------|------------|------------|
| MAX OUTPUT WATTAGE[W] | 99 | 150 | 153 | 150 | 150 | 153 | 151.2 | 151.2 | 150 | 153.6 |
| DC OUTPUT | *5 3.3V 30A | 5V 30A | 9V 17A | 12V 12.5A | 15V 10A | 18V 8.5A | 24V 6.3A | 24V 6.3(7.5)A | 30V 5A | 48V 3.2A |

SPECIFICATIONS

| | MODEL | LEA150F-3R3-Y | LEA150F-5 | LEA150F-9 | LEA150F-12 | LEA150F-15 | LEA150F-18 | LEA150F-24 | LEA150F-24-H | LEA150F-30 | LEA150F-48 | |
|-------------------------------|--|---|--|-------------|-------------|-------------|-------------|-------------|----------------|-------------|------------|--------|
| INPUT | VOLTAGE[V] | AC85 - 264 1φ or DC120 - 370 | | | | | | | | | | |
| | CURRENT[A] | ACIN 100V | 1.4 | 2.0typ | | | | | | | | |
| | | ACIN 200V | 0.7 | 1.0typ | | | | | | | | |
| | FREQUENCY[Hz] | 50/60 (47 - 63) or DC | | | | | | | | | | |
| | EFFICIENCY[%] | ACIN 100V | 71typ | 76typ | 79typ | 78typ | 80typ | 81typ | 81typ | 81typ | 84typ | 84typ |
| | | ACIN 200V | 74typ | 79typ | 82typ | 81typ | 83typ | 84typ | 84typ | 84typ | 87typ | 87typ |
| | POWER FACTOR | ACIN 100V | 0.98typ | 0.99typ | | | | | | | | |
| | | ACIN 200V | 0.91typ | 0.94typ | | | | | | | | |
| INRUSH CURRENT[A] | ACIN 100V | 15typ (Io=100%) (At cold start) (Ta=25°C) | | | | | | | | | | |
| | ACIN 200V | 30typ (Io=100%) (At cold start) (Ta=25°C) | | | | | | | | | | |
| LEAKAGE CURRENT[mA] | 0.75max (60Hz, According to IEC60950 and DEN-AN) | | | | | | | | | | | |
| OUTPUT | VOLTAGE[V] | 3.3 | 5 | 9 | 12 | 15 | 18 | 24 | 24 | 30 | 48 | |
| | CURRENT[A] | *1 30 | 30 | 17 | 12.5 | 10 | 8.5 | 6.3 | 6.3 (Peak 7.5) | 5 | 3.2 | |
| | LINE REGULATION[mV] | 20max | 20max | 36max | 48max | 60max | 72max | 96max | 96max | 120max | 192max | |
| | LOAD REGULATION[mV] | 40max | 40max | 100max | 100max | 120max | 120max | 150max | 150max | 180max | 300max | |
| | RIPPLE[mVp-p] | 0 to +50°C *2 | 80max | 80max | 120max | 120max | 120max | 120max | 150max | 150max | 180max | 300max |
| | | -10 - 0°C *2 | 140max | 140max | 160max | 160max | 160max | 160max | 160max | 160max | 160max | 200max |
| | RIPPLE NOISE[mVp-p] | 0 to +50°C *2 | 120max | 120max | 150max | 150max | 150max | 150max | 150max | 150max | 150max | 350max |
| | | -10 - 0°C *2 | 160max | 160max | 180max | 180max | 180max | 180max | 180max | 180max | 180max | 400max |
| | TEMPERATURE REGULATION[mV] | 0 to +50°C | 50max | 50max | 90max | 120max | 150max | 180max | 240max | 240max | 300max | 480max |
| | | -10 to +50°C | 60max | 60max | 120max | 150max | 180max | 200max | 290max | 290max | 360max | 600max |
| | DRIFT[mV] | *3 20max | 20max | 36max | 48max | 60max | 72max | 96max | 96max | 120max | 192max | |
| | START-UP TIME[ms] | 500max (ACIN 100V, Io=100%) | | | | | | | | | | |
| | HOLD-UP TIME[ms] | 20typ (Io=100%) | | | | | | | | | | |
| | OUTPUT VOLTAGE ADJUSTMENT RANGE[V] | 2.85 - 3.6 | Fixed (*Y which can be adjusted the output is available as optional: ±10%) | | | | | | | | | |
| OUTPUT VOLTAGE SETTING[V] | 3.25 - 3.35 | 4.9 - 5.3 | 8.6 - 9.4 | 11.5 - 12.5 | 14.4 - 15.6 | 17.3 - 18.7 | 23.0 - 25.0 | 23.0 - 25.0 | 28.5 - 31.5 | 46.0 - 50.0 | | |
| PROTECTION CIRCUIT AND OTHERS | OVERCURRENT PROTECTION | Works over 105% of rating (works over 105% of peak current at option -H) and recovers automatically | | | | | | | | | | |
| | OVERVOLTAGE PROTECTION | 4.00 - 5.25V Works at 115 - 140% of rating | | | | | | | | | | |
| | OPERATING INDICATION | Not provided | | | | | | | | | | |
| | REMOTE SENSING | Not provided | | | | | | | | | | |
| REMOTE ON/OFF | Option (Refer to Instruction Manual) | | | | | | | | | | | |
| ISOLATION | INPUT-OUTPUT · RC | *4 AC3.000V 1minute, Cutoff current = 10mA, DC500V 50MΩ min (At Room Temperature) | | | | | | | | | | |
| | INPUT-FG | AC2.000V 1minute, Cutoff current = 10mA, DC500V 50MΩ min (At Room Temperature) | | | | | | | | | | |
| | OUTPUT · RC-FG | *4 AC500V 1minute, Cutoff current = 100mA, DC500V 50MΩ min (At Room Temperature) | | | | | | | | | | |
| | OUTPUT-RC | *4 AC100V 1minute, Cutoff current = 100mA, DC100V 10MΩ min (At Room Temperature) | | | | | | | | | | |
| ENVIRONMENT | OPERATING TEMP., HUMID. AND ALTITUDE | -10 to +60°C, 20 - 90%RH (Non condensing) (Refer to DERATING CURVE), 3,000m (10,000feet) max | | | | | | | | | | |
| | STORAGE TEMP., HUMID. AND ALTITUDE | -20 to +75°C, 20 - 90%RH (Non condensing), 9,000m (30,000feet) max | | | | | | | | | | |
| | VIBRATION | 10 - 55Hz, 19.6m/s ² (2G), 3minutes period, 60minutes each along X, Y and Z axis | | | | | | | | | | |
| | IMPACT | 196.1m/s ² (20G), 11ms, once each X, Y and Z axis | | | | | | | | | | |
| SAFETY AND NOISE REGULATIONS | AGENCY APPROVALS | UL60950-1, C-UL, EN60950-1, EN50178 Complies with DEN-AN and IEC60950-1 (At only AC input) | | | | | | | | | | |
| | CONDUCTED NOISE | Complies with FCC-B, CISPR22-B, EN55022-B, VCCI-B | | | | | | | | | | |
| | HARMONIC ATTENUATOR | Complies with IEC61000-3-2 | | | | | | | | | | |
| OTHERS | CASE SIZE/WEIGHT | 75 x 40 x 222mm (W x H x D) /500g max (without chassis and cover) | | | | | | | | | | |
| | COOLING METHOD | Convection | | | | | | | | | | |

*1 Peak load for 10 sec. or less is acceptable if the total wattage is less than the rated wattage.
 *2 This is the value that measured on measuring board with capacitor of 22 μF within 150mm from output terminal.
 Measured by 20MHz oscilloscope or Ripple-Noise meter (Equivalent to KEISOKU-GIKEN: RM101).
 *3 Drift is the change in DC output for an eight hour period after a half-hour warm-up at 25°C,

with the input voltage held constant at the rated input/output.
 *4 Applicable when remote control (optional) is added.
 *5 (): peak current.
 * Parallel operation with other model is not possible.
 * Derating is required when operated with chassis and cover.

External view



| I / O Connector | Mating Connector | Terminal |
|-----------------|------------------|----------|
| CN1 | B3P5-VH | VHR-5N |
| CN2 | B6P-VH | VHR-6N |
| CN3 | B7P-VH | VHR-7N |
| CN4 | B2B-XH-A | XHP-2 |

(PIN CONNECTION)

| Pin No. | Input |
|---------|-------|
| 1 | AC(L) |
| 2 | |
| 3 | AC(N) |
| 4 | |
| 5 | FG |

| Pin No. | Output |
|---------|--------|
| 1~6 | +V |
| 1~7 | -V |

(Optional)

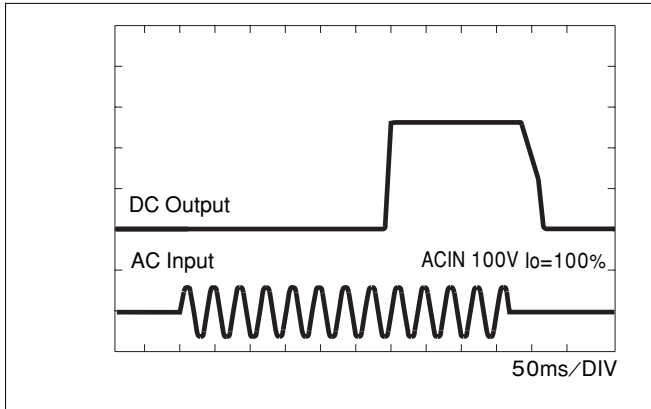
| Pin No. | Remote ON/OFF |
|---------|---------------|
| 1 | RC(+) |
| 2 | RC(-) |

※Keep drawing current per pin below 5A for CN2, CN3

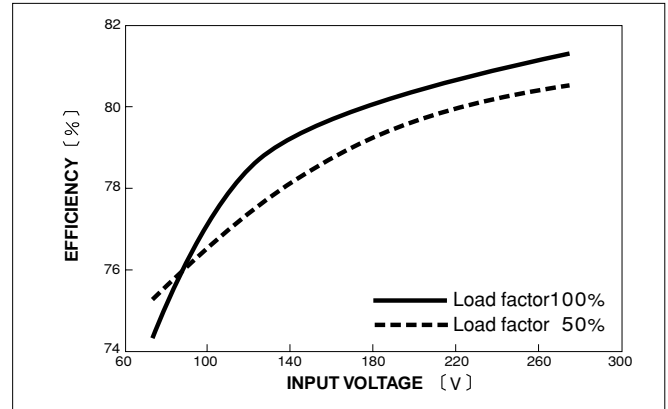
- ※Weight: 500g or less (Without chassis and cover)
- ※Tolerance: ±1
- ※Dimensions in mm.
- ※PCB Material: Glass composite (CEM3)
- ※Chassis and cover is optional.
- ※Chassis and cover is not available to remote ON/OFF unit.
- ※Mounting torque: 1.5N · m(16kgf · cm)max

Performance data

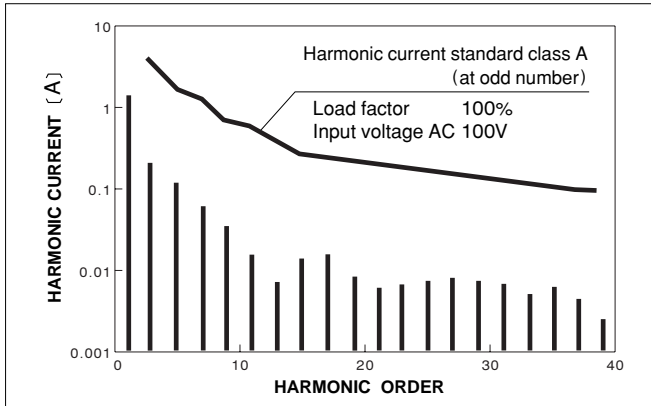
RISE TIME & FALL TIME (LEA150F-5)



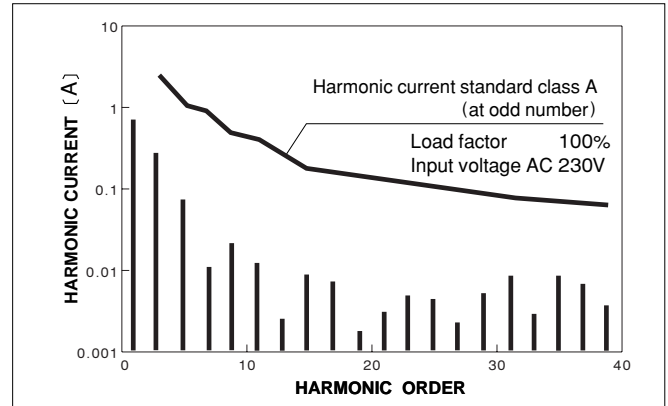
EFFICIENCY (LEA150F-5)



INPUT HARMONIC CURRENT (LEA150F-5)



INPUT HARMONIC CURRENT (LEA150F-5)



Distribution:

RSG Electronic Components GmbH ▪ Spremlinger Landstr. 115 ▪ D-63069 Offenbach/Germany
Tel. +49 69 984047-0 ▪ Fax +49 69 984047-77 ▪ info@rsg-electronic.de ▪ www.rsg-electronic.de

Änderungen vorbehalten / subject to change without notice



Компания «ЭлектроПласт» предлагает заключение долгосрочных отношений при поставках импортных электронных компонентов на взаимовыгодных условиях!

Наши преимущества:

- Оперативные поставки широкого спектра электронных компонентов отечественного и импортного производства напрямую от производителей и с крупнейших мировых складов;
- Поставка более 17-ти миллионов наименований электронных компонентов;
- Поставка сложных, дефицитных, либо снятых с производства позиций;
- Оперативные сроки поставки под заказ (от 5 рабочих дней);
- Экспресс доставка в любую точку России;
- Техническая поддержка проекта, помощь в подборе аналогов, поставка прототипов;
- Система менеджмента качества сертифицирована по Международному стандарту ISO 9001;
- Лицензия ФСБ на осуществление работ с использованием сведений, составляющих государственную тайну;
- Поставка специализированных компонентов (Xilinx, Altera, Analog Devices, Intersil, Interpoint, Microsemi, Aeroflex, Peregrine, Syfer, Eurofarad, Texas Instrument, Miteq, Cobham, E2V, MA-COM, Hittite, Mini-Circuits, General Dynamics и др.);

Помимо этого, одним из направлений компании «ЭлектроПласт» является направление «Источники питания». Мы предлагаем Вам помощь Конструкторского отдела:

- Подбор оптимального решения, техническое обоснование при выборе компонента;
- Подбор аналогов;
- Консультации по применению компонента;
- Поставка образцов и прототипов;
- Техническая поддержка проекта;
- Защита от снятия компонента с производства.



Как с нами связаться

Телефон: 8 (812) 309 58 32 (многоканальный)

Факс: 8 (812) 320-02-42

Электронная почта: org@eplast1.ru

Адрес: 198099, г. Санкт-Петербург, ул. Калинина, дом 2, корпус 4, литера А.