

## 17mm Rotary Type, Metal Shaft Series

### Application

- ✓ Audio/video controls , Industrial control , Controls for medical equipment

### Feature

- ✓ Switch option



### ■Specification

|                                       |   |
|---------------------------------------|---|
| Total Rotational Angle                | 260±5°                                  |
| Maximum Operating Voltage             | B taper 200V A.C ; Other taper 150V A.C |
| Insulation Resistance                 | More than 50MΩ at DC 500V               |
| Dielectric Strength                   | A.C 500V for 1 minute                   |
| Rotational Torque                     | 20-200 gf.cm                            |
| Click Torque                          | N/A                                     |
| Rotational Stop Strength of the Shaft | N/A                                     |
| Push/Pull Strength of the Shaft       | 3 kgf.cm for 60 sec                     |
| Rotation Life                         | 15,000 cycles                           |
| Switch Working Angle                  | RV170SF: 30°±10°                        |
| Switch Working Torque                 | RV170SF: 70-400 gf.cm                   |
| Switch Life                           | RV170SF: 10,000 cycles                  |

### ■How to order

RV170SF – 24 – 15K – B100K

[Model](#)

[Metal Shaft Type](#)

#### Taper and Resistance Value

| Order Code | Taper    | Resistance Value |
|------------|----------|------------------|
| A100K      | Log/A    | 100KΩ            |
| B1M        | Linear/B | 1MΩ              |

Taper: A, B

Resistance Value: 1KΩ to 500KΩ and 1MΩ

\*Contact us for other requirements.

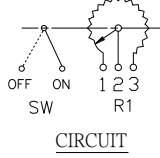
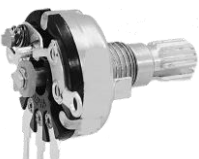
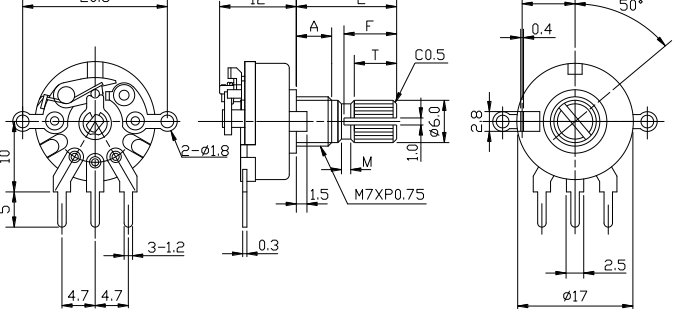
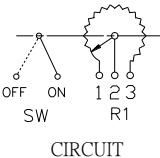
## 17mm Rotary Type, Metal Shaft Series

| Model                      | Number of Unit | Switch Function   | Terminal Type    | With Sleeve or Bushing | Rotational Angle |
|----------------------------|----------------|-------------------|------------------|------------------------|------------------|
| <a href="#">RV170F-10</a>  | Single unit    | N/A               | Solder lug       | Metal bushing          | 260°±5°          |
| <a href="#">RV170F-24</a>  | Single unit    | N/A               | Horizontal       | Metal bushing          | 260°±5°          |
| <a href="#">RV170F-30</a>  | Single unit    | N/A               | Vertical (Front) | Metal bushing          | 260°±5°          |
| <a href="#">RV170F-43</a>  | Single unit    | N/A               | Vertical         | Metal bushing          | 260°±5°          |
| <a href="#">RV170SF-10</a> | Single unit    | S.P.S.T Rotary SW | Solder lug       | Metal bushing          | 260°±5°          |
| <a href="#">RV170SF-24</a> | Single unit    | S.P.S.T Rotary SW | Horizontal       | Metal bushing          | 260°±5°          |
| <a href="#">RV170SF-30</a> | Single unit    | S.P.S.T Rotary SW | Vertical (Front) | Metal bushing          | 260°±5°          |
| <a href="#">RV170SF-43</a> | Single unit    | S.P.S.T Rotary SW | Vertical         | Metal bushing          | 260°±5°          |

| Order Code   | Outline Drawing   |
|--|---|
| RV170F-10<br> |  <p>SHAFT SHOWN IN FULL C.C.W. POSITION</p> |
| RV170F-24<br> |  <p>SHAFT SHOWN IN FULL C.C.W. POSITION</p> |

[Back to top](#)

## 17mm Rotary Type, Metal Shaft Series

| Order Code  | Outline Drawing   |
|---|---|
| <p>RV170F-30</p>     |  <p>SHAFT SHOWN IN FULL C.C.W. POSITION</p> <p>● 260° ROTATION MONO UNIT</p>  <p>1 2 3<br/>CIRCUIT</p>   |
| <p>RV170F-43</p>    |  <p>SHAFT SHOWN IN FULL C.C.W. POSITION</p> <p>● 260° ROTATION MONO UNIT</p>  <p>1 2 3<br/>CIRCUIT</p>   |
| <p>RV170SF-10</p>  |  <p>SHAFT SHOWN IN FULL C.C.W. POSITION</p> <p>● 260° ROTATION MONO UNIT (SW ROTARY SWITCH) S.P.S.T. D.C 12V 1A</p>  <p>OFF ON 1 2 3<br/>SW R1<br/>CIRCUIT</p> |
| <p>RV170SF-24</p>  |  <p>SHAFT SHOWN IN FULL C.C.W. POSITION</p> <p>● 260° ROTATION MONO UNIT (SW ROTARY SWITCH) S.P.S.T. D.C 12V 1A</p>  <p>OFF ON 1 2 3<br/>SW R1<br/>CIRCUIT</p> |

[Back to top](#)

## 17mm Rotary Type, Metal Shaft Series

| Order Code   | Outline Drawing  |
|--|--|
| <p>RV170SF-30</p>   |  <p>SHAFT SHOWN IN FULL C.C.W. POSITION</p>  |
| <p>RV170SF-43</p>  |  <p>SHAFT SHOWN IN FULL C.C.W. POSITION</p> |

### ■ Metal Shaft Type

| K Type   | F Type   | R Type   |     |    |     |    |     |    |     |    |     |    |  |            |   |     |    |     |    |     |    |     |    |     |    |  |            |   |     |    |     |    |     |    |     |    |     |    |
|--|--|--|-----|----|-----|----|-----|----|-----|----|-----|----|--|------------|---|-----|----|-----|----|-----|----|-----|----|-----|----|--|------------|---|-----|----|-----|----|-----|----|-----|----|-----|----|
| <p>A:5mm</p>    | <p>A:5mm</p>  | <p>A:5mm</p>  |     |    |     |    |     |    |     |    |     |    |  |            |   |     |    |     |    |     |    |     |    |     |    |  |            |   |     |    |     |    |     |    |     |    |     |    |
| <table border="1"> <thead> <tr> <th>Order Code</th> <th>L</th> </tr> </thead> <tbody> <tr><td>10K</td><td>10</td></tr> <tr><td>15K</td><td>15</td></tr> <tr><td>20K</td><td>20</td></tr> <tr><td>25K</td><td>25</td></tr> <tr><td>30K</td><td>30</td></tr> </tbody> </table> | Order Code   | L  | 10K | 10 | 15K | 15 | 20K | 20 | 25K | 25 | 30K | 30 | <table border="1"> <thead> <tr> <th>Order Code</th> <th>L</th> </tr> </thead> <tbody> <tr><td>10F</td><td>10</td></tr> <tr><td>15F</td><td>15</td></tr> <tr><td>20F</td><td>20</td></tr> <tr><td>25F</td><td>25</td></tr> <tr><td>30F</td><td>30</td></tr> </tbody> </table> | Order Code | L | 10F | 10 | 15F | 15 | 20F | 20 | 25F | 25 | 30F | 30 | <table border="1"> <thead> <tr> <th>Order Code</th> <th>L</th> </tr> </thead> <tbody> <tr><td>10R</td><td>10</td></tr> <tr><td>15R</td><td>15</td></tr> <tr><td>20R</td><td>20</td></tr> <tr><td>25R</td><td>25</td></tr> <tr><td>30R</td><td>30</td></tr> </tbody> </table> | Order Code | L | 10R | 10 | 15R | 15 | 20R | 20 | 25R | 25 | 30R | 30 |
| Order Code   | L  |  |     |    |     |    |     |    |     |    |     |    |  |            |   |     |    |     |    |     |    |     |    |     |    |  |            |   |     |    |     |    |     |    |     |    |     |    |
| 10K  | 10   |  |     |    |     |    |     |    |     |    |     |    |  |            |   |     |    |     |    |     |    |     |    |     |    |  |            |   |     |    |     |    |     |    |     |    |     |    |
| 15K  | 15   |  |     |    |     |    |     |    |     |    |     |    |  |            |   |     |    |     |    |     |    |     |    |     |    |  |            |   |     |    |     |    |     |    |     |    |     |    |
| 20K  | 20   |  |     |    |     |    |     |    |     |    |     |    |  |            |   |     |    |     |    |     |    |     |    |     |    |  |            |   |     |    |     |    |     |    |     |    |     |    |
| 25K  | 25   |  |     |    |     |    |     |    |     |    |     |    |  |            |   |     |    |     |    |     |    |     |    |     |    |  |            |   |     |    |     |    |     |    |     |    |     |    |
| 30K  | 30   |  |     |    |     |    |     |    |     |    |     |    |  |            |   |     |    |     |    |     |    |     |    |     |    |  |            |   |     |    |     |    |     |    |     |    |     |    |
| Order Code   | L  |  |     |    |     |    |     |    |     |    |     |    |  |            |   |     |    |     |    |     |    |     |    |     |    |  |            |   |     |    |     |    |     |    |     |    |     |    |
| 10F  | 10   |  |     |    |     |    |     |    |     |    |     |    |  |            |   |     |    |     |    |     |    |     |    |     |    |  |            |   |     |    |     |    |     |    |     |    |     |    |
| 15F  | 15   |  |     |    |     |    |     |    |     |    |     |    |  |            |   |     |    |     |    |     |    |     |    |     |    |  |            |   |     |    |     |    |     |    |     |    |     |    |
| 20F  | 20   |  |     |    |     |    |     |    |     |    |     |    |  |            |   |     |    |     |    |     |    |     |    |     |    |  |            |   |     |    |     |    |     |    |     |    |     |    |
| 25F  | 25   |  |     |    |     |    |     |    |     |    |     |    |  |            |   |     |    |     |    |     |    |     |    |     |    |  |            |   |     |    |     |    |     |    |     |    |     |    |
| 30F  | 30   |  |     |    |     |    |     |    |     |    |     |    |  |            |   |     |    |     |    |     |    |     |    |     |    |  |            |   |     |    |     |    |     |    |     |    |     |    |
| Order Code   | L  |  |     |    |     |    |     |    |     |    |     |    |  |            |   |     |    |     |    |     |    |     |    |     |    |  |            |   |     |    |     |    |     |    |     |    |     |    |
| 10R  | 10   |  |     |    |     |    |     |    |     |    |     |    |  |            |   |     |    |     |    |     |    |     |    |     |    |  |            |   |     |    |     |    |     |    |     |    |     |    |
| 15R  | 15   |  |     |    |     |    |     |    |     |    |     |    |  |            |   |     |    |     |    |     |    |     |    |     |    |  |            |   |     |    |     |    |     |    |     |    |     |    |
| 20R  | 20   |  |     |    |     |    |     |    |     |    |     |    |  |            |   |     |    |     |    |     |    |     |    |     |    |  |            |   |     |    |     |    |     |    |     |    |     |    |
| 25R  | 25   |  |     |    |     |    |     |    |     |    |     |    |  |            |   |     |    |     |    |     |    |     |    |     |    |  |            |   |     |    |     |    |     |    |     |    |     |    |
| 30R  | 30   |  |     |    |     |    |     |    |     |    |     |    |  |            |   |     |    |     |    |     |    |     |    |     |    |  |            |   |     |    |     |    |     |    |     |    |     |    |

Design and specifications presented here are for the standard parts only. Please kindly contact us for your special requests and ask for the current technical specifications before purchase and/or use.

[Back to top](#)

# Mouser Electronics

Authorized Distributor

Click to View Pricing, Inventory, Delivery & Lifecycle Information:

## Alpha (Taiwan):

[RV170SF-10-20K-A13](#) [RV170SF-10-20K-A53](#) [RV170SF-10-20K-A14](#) [RV170SF-10-20K-A15](#) [RV170F-24-20K-B500O-3021](#) [RV170F-10-20K-B10K-3021](#) [RV170F-24-20K-B500K-3021](#) [RV170F-24-20K-B50K-3021](#) [RV170F-24-20K-B10K-3021](#) [RV170F-10-20K-B500O-3021](#) [RV170F-10-20K-B5K-3021](#) [RV170F-10-20K-B50K-3021](#) [RV170F-24-20K-B5K-3021](#) [RV170F-24-20K-B100K-3021](#) [RV170F-24-20K-B1K-3021](#) [RV170F-10-20K-B500K-3021](#) [RV170F-10-20K-B1K-3021](#) [RV170F-10-20K-B100K-3021](#) [RV170F-24-20K-B500\\_-3021](#) [RV170F-10-20K-B500\\_-3021](#) [RV170F-24-20K-B500ohm-3021](#)



Компания «ЭлектроПласт» предлагает заключение долгосрочных отношений при поставках импортных электронных компонентов на взаимовыгодных условиях!

Наши преимущества:

- Оперативные поставки широкого спектра электронных компонентов отечественного и импортного производства напрямую от производителей и с крупнейших мировых складов;
- Поставка более 17-ти миллионов наименований электронных компонентов;
- Поставка сложных, дефицитных, либо снятых с производства позиций;
- Оперативные сроки поставки под заказ (от 5 рабочих дней);
- Экспресс доставка в любую точку России;
- Техническая поддержка проекта, помощь в подборе аналогов, поставка прототипов;
- Система менеджмента качества сертифицирована по Международному стандарту ISO 9001;
- Лицензия ФСБ на осуществление работ с использованием сведений, составляющих государственную тайну;
- Поставка специализированных компонентов (Xilinx, Altera, Analog Devices, Intersil, Interpoint, Microsemi, Aeroflex, Peregrine, Syfer, Eurofarad, Texas Instrument, Miteq, Cobham, E2V, MA-COM, Hittite, Mini-Circuits, General Dynamics и др.);

Помимо этого, одним из направлений компании «ЭлектроПласт» является направление «Источники питания». Мы предлагаем Вам помощь Конструкторского отдела:

- Подбор оптимального решения, техническое обоснование при выборе компонента;
- Подбор аналогов;
- Консультации по применению компонента;
- Поставка образцов и прототипов;
- Техническая поддержка проекта;
- Защита от снятия компонента с производства.



#### Как с нами связаться

**Телефон:** 8 (812) 309 58 32 (многоканальный)

**Факс:** 8 (812) 320-02-42

**Электронная почта:** [org@eplast1.ru](mailto:org@eplast1.ru)

**Адрес:** 198099, г. Санкт-Петербург, ул. Калинина, дом 2, корпус 4, литера А.