

Transition Mode PFC LED Controller

Description

The AL6562A is a current mode Power Factor Correction Controller and is designed for operating in Transition Mode. With a superior linear performance multiplier, it ensures the device operates over a wide input voltage range with superior THD (Total Harmonics Distortion). The output voltage is controlled by means of an error amplifier and a precise (1% @ $T_J = +25^{\circ}\text{C}$) internal voltage reference.

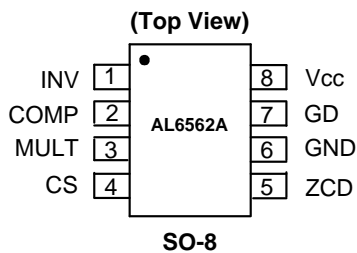
The AL6562A is designed to meet stringent energy-saving standards with low start-up current, and can operate with low current consumption when entering stand-by mode.

OVP circuitry increases system robustness, allowing the device to withstand transient caused at start-up and during load-disconnects.

Features

- Single Stage PFC Controller
- Transition Mode Operation
- Low Start-Up, Operating and Quiescent Currents
- Internal Start-Up Timer
- Enable/Disable Function on INV Input
- Totem Pole, Push-Pull Output Drive
- Adjustable Output Overvoltage Protection
- SO-8 : Available in "Green" Molding Compound (No Br, Sb)
- **Totally Lead-Free & Fully RoHS Compliant (Notes 1 & 2)**
- **Halogen and Antimony Free. "Green" Device (Note 3)**

Pin Assignments



Applications

- Electronic Single-Stage LED Driver
- PFC pre-regulators for:
 - IEC61000-3-2 compliant SMPS (Flat TV, monitors, desktop PC, games)
 - HI-END AC-DC adapter/charger up to 350W
 - Electronic ballast
 - Entry level server & web server

- Notes:
1. No purposely added lead. Fully EU Directive 2002/95/EC (RoHS) & 2011/65/EU (RoHS 2) compliant.
 2. See http://www.diodes.com/quality/lead_free.html for more information about Diodes Incorporated's definitions of Halogen- and Antimony-free, "Green" and Lead-free.
 3. Halogen- and Antimony-free "Green" products are defined as those which contain <900ppm bromine, <900ppm chlorine (<1500ppm total Br + Cl) and <1000ppm antimony compounds.

Typical Applications Circuit

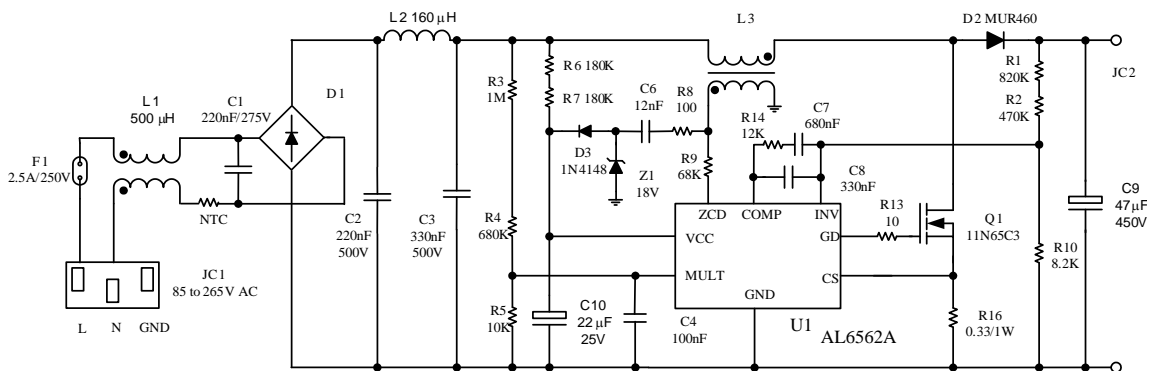
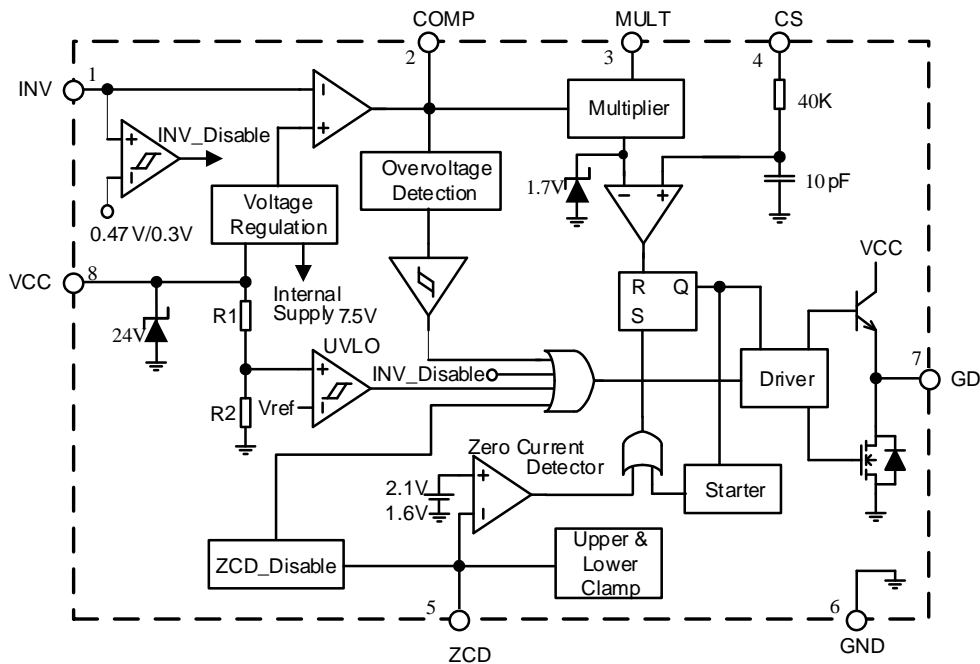


Figure 1 High Power Factor Boost application circuit

Pin Descriptions

Pin Number	Pin Name	Brief Description
1	INV	Inverting Input Pin of the Internal Error Amplifier. This pin is connected externally via a resistor divider from the regulated output voltage. It can provide input to inverting input of internal error amplifier. This pin can also be used as ENABLE/DISABLE control input.
2	COMP	Output from Error Amplifier. A feedback compensation network consisting of resistor and capacitor connects between INV (Pin1) and this pin to reduce the bandwidth and achieve stability of the voltage control loop and ensure high power factor and low THD.
3	MULT	Input to the Internal Multiplier. This pin connects to the rectified mains voltage through external resistor divider to provide a sinusoidal voltage reference for the control current loop.
4	CS	Current Sense Connecting to External Resistor for Current Feedback. The current flowing in the MOSFET is sensed through a resistor, the resulting voltage is applied to this pin and compared with an internal sinusoidal-shaped reference generated by the multiplier to determine MOSFET's turn-off. This pin has an internal Leading-Edge-Blanking of about 200 nanoseconds to improve noise immunity.
5	ZCD	Zero Current Detection. This pin takes input from inductor's demagnetization sensing to achieve zero current detection, required for Transition Mode (TM) operation. A negative-going edge triggers turn-on of MOSFET.
6	GND	System Ground. Ground for circuit. Current return for both the signal circuitry and the gate drive stage.
7	GD	Gate Driver Output. This pin is able to drive external MOSFET. The totem-pole output stage is able to drive MOSFET with a peak current of 600mA/800mA for source and sink capability respectively. The high level voltage of this pin is internally clamped at about 12V to avoid excessive gate voltage in case V _{CC} pin is supplied by a higher voltage.
8	V _{CC}	System Power Input Pin. This pin is for supply voltage of both the signal part and gate driver of the IC. Upper limit is extended to a maximum of 22V to provide more headroom for supply voltage changes. This pin has an internal 25V Zener to protect the IC itself from overvoltage transients.

Functional Block Diagram



Absolute Maximum Ratings (Note 4)

Symbol	Description	Value	Unit
V _{CC}	IC Supply Voltage	Self Limited	V
I _{CC}	Operating Supply Current	30	mA
V _{INV} , V _{COMP} , V _{MULT}	Input/Output of Error Amplifier, Input of Multiplier	-0.3 to 7	V
I _{ZCD} (Note 5)	Zero Current Detector Max. Current	Source: -50 Sink: 10	mA mA
ESD(HBM)	ESD (Human Body Model)	3000	V
ESD(MM)	ESD (Machine Model)	200	V
T _J	Junction Temperature Range	-40 to +150	°C
T _{STG}	Storage Temperature Range	-65 to +150	°C
P _{TOT}	Power Dissipation	0.65	W
R _{θJA}	Thermal Resistance (Junction – Ambient)	150	°C/W
T _{LEAD}	Lead Temperature (Soldering, 10 sec)	+260	°C

- Notes:
- Stresses greater than the 'Absolute Maximum Ratings' specified above, may cause permanent damage to the device. These are stress ratings only; functional operation of the device at these or any other conditions exceeding those indicated in this specification is not implied. Device reliability may be affected by exposure to absolute maximum rating conditions for extended periods of time.
 - Currents flowing into device pins are considered as positive and out of device pins are considered as negative.

Electrical Characteristics

(Over recommended operating conditions unless otherwise specified $V_{CC} = 12.0V$, $T_J = -25^{\circ}C$ to $+125^{\circ}C$, $C_O = 1nF$)

Symbol	Parameter	Conditions	Min	Typ.	Max	Units
SUPPLY VOLTAGE						
V_{CC}	IC Supply Voltage	After turn-on	10.3	—	22	V
$V_{CC\ ON}$	Turn-On Threshold	—	11.0	12.0	13.0	V
$V_{CC\ OFF}$	Turn-Off Threshold	—	8.7	9.5	10.3	V
V_{CC-HYS}	Hysteresis	—	2.2	2.5	2.8	V
V_Z	Zener Voltage	$I_{CC} = 20\ mA$	22	24	—	V
SUPPLY CURRENT						
$I_{start-up}$	Start-Up Current	Before turn-on, $V_{CC}=11V$	—	40	70	μA
I_Q	Quiescent Current	After turn-on	—	2.5	3.75	mA
I_{CC}	Operating Supply Current	@ 70kHz	—	3.5	5	mA
		In OVP condition, $V_{INV} = 2.7V$	—	1.4	2.2	mA
I_Q	Quiescent Current	$V_{ZCD} \leq 150mV$, $V_{CC} > V_{CC-OFF}$	—	—	2.2	mA
		$V_{ZCD} \leq 150mV$, $V_{CC} < V_{CC-OFF}$	20	50	90	μA
ERROR AMPLIFIER						
V_{INV}	Voltage Feedback Input Threshold	$T_J = +25^{\circ}C$	2.465	2.5	2.535	V
		$10.3V < V_{CC} < 22V$	2.44	—	2.56	
	Line Regulation	$V_{CC} = 10.3V$ to $22V$ (Note 6)	—	2	5	mV
I_{INV}	Input Bias Current	$V_{INV} = 0$ to $3V$	—	-0.1	-1	μA
G_V	Voltage Gain (Note 6)	OPEN LOOP	60	80	—	dB
GB	Gain-Bandwidth (Note 6)	—	—	1	—	MHz
I_{COMP}	Source Current	$V_{COMP} = 4V$, $V_{INV} = 2.4V$	-2	-4.0	-8	mA
	Sink Current	$V_{COMP} = 4V$, $V_{INV} = 2.6V$	2.5	4.5	—	mA
V_{COMP}	Upper Clamp Voltage	$I_{SOURCE} = 0.5\ mA$	—	5.8	—	V
	Lower Clamp Voltage	$I_{SINK} = 0.5\ mA$	2.1	2.25	2.4	V
V_{INVdis}	Disable Threshold (Note 6)	—	250	300	350	mV
V_{INVen}	Restart Threshold	—	400	480	600	mV
MULTIPLIER INPUT						
V_{MULT}	Linear Operation Range	—	0 - 3	0 - 3.5	—	V
$\frac{\Delta V_{CS}}{\Delta V_{MULT}}$	Output Maximum Slope	$V_{MULT} = 0$ to $0.5V$, $V_{COMP} =$ upper clamp	1.65	1.9	—	V/V
K	Gain (Note 7)	$V_{MULT} = 1V$, $V_{COMP} = 4V$	0.6	0.75	0.9	1/V
ZERO CURRENT DETECTOR						
V_{ZCDH}	Upper Clamp Voltage	$I_{ZCD} = 3mA$	4.7	5.2	6.1	V
V_{ZCDL}	Lower Clamp Voltage	$I_{ZCD} = -3mA$	0.3	0.65	1.0	V
V_{ZCDA}	Arming Voltage	Positive-going edge	—	2.1	—	V
V_{ZCDT}	Triggering Voltage	Negative-going edge	—	1.6	—	V
I_{ZCDb}	Input Bias Current	$V_{ZCD} = 1$ to $4.5V$	—	2	—	μA
I_{ZCDsrc}	Source Current Capability (Note 6)	—	-2.5	—	-10	mA
I_{ZCDsnk}	Sink Current Capability (Note 6)	—	3.0	—	—	mA
V_{ZCDdis}	Disable Threshold	—	150	200	250	mV
V_{ZCDhys}	Restart hysteresis Threshold	—	20	100	165	mV
I_{ZCDres}	Restart Current after Disable	$V_{ZCD} < V_{DIS}$, $V_{CC} > V_{CC-OFF}$	-80	-120	—	μA
STARTER						
t_{START}	Start Timer Period	—	75	130	300	μs

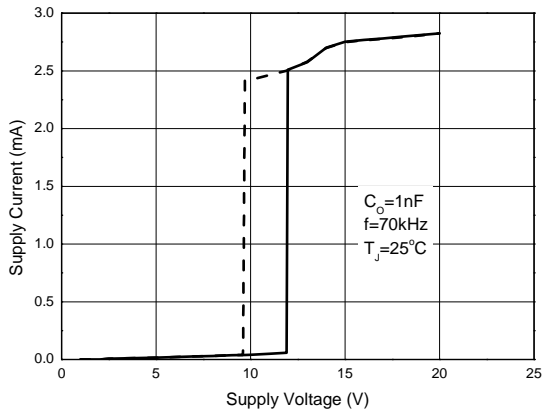
Electrical Characteristics

Symbol	Parameter	Conditions	Min	Typ	Max	Units
OUTPUT OVER-VOLTAGE						
I_{OVP}	Dynamic OVP Triggering Current	—	35	40	45	μA
$VOVP_TH$	Static OVP Threshold	—	2.1	2.25	2.4	V
CURRENT SENSE COMPARATOR						
I_{CS}	Input Bias Current	$V_{CS} = 0$	—	—	-1	μA
$t_{d(H-L)}$	Delay to Output (Note 6)	—	—	200	350	ns
$V_{CS-clamp}$	Current Sense Clamp	$V_{COMP} = \text{upper clamp}$	1.6	1.7	1.8	V
$V_{CS-offset}$	Current Sense Offset	$V_{MULT} = 0$	—	30	—	mV
		$V_{MULT} = 2.5V$	—	5	—	
GATE DRIVER						
V_{OL}	Output Low Dropout Voltage	$I_{GDsink} = 200 \text{ mA}$ (Note 6)	—	0.9	1.9	V
V_{OH}	Output High Dropout Voltage	$I_{GDsource} = 200 \text{ mA}$ (Note 6)	—	2.5	3.0	V
		$I_{GDsource} = 20 \text{ mA}$	—	2.0	2.8	V
t_f	Voltage Fall Time (Note 6)	—	—	30	70	ns
t_r	Voltage Rise Time (Note 6)	—	—	60	110	ns
V_{Oclamp}	Output Clamp Voltage	$I_{SOURCE} = 5 \text{ mA}$, $V_{CC} = 20 \text{ V}$	9	11	13	V
V_{OS}	UVLO Saturation	$V_{CC} = 0 \text{ V}$ to V_{CCon} , $I_{SINK} = 10 \text{ mA}$	—	—	1.1	V

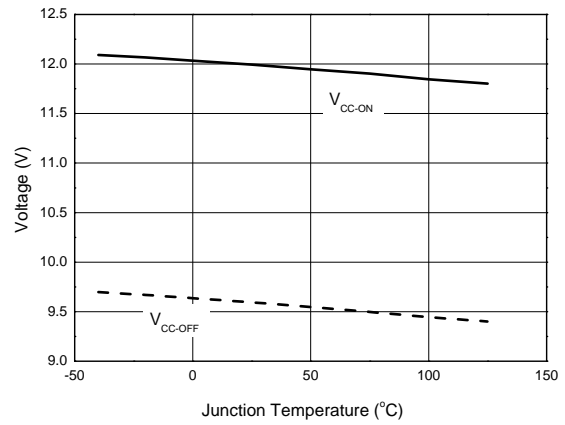
- Notes: 6. These parameters, although guaranteed by design, are not 100% tested in production.
 7. The multiplier output is given by: current sense comparator O/P, $V_{CS} = k \times (V_{COMP} - 2.5V) \times V_{MULT}$.

Performance Characteristics

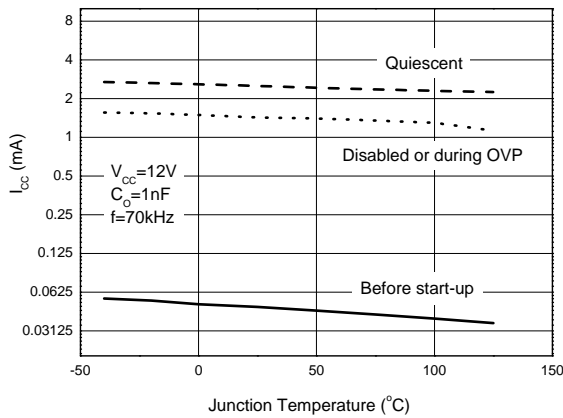
Supply Current vs. Supply Voltage



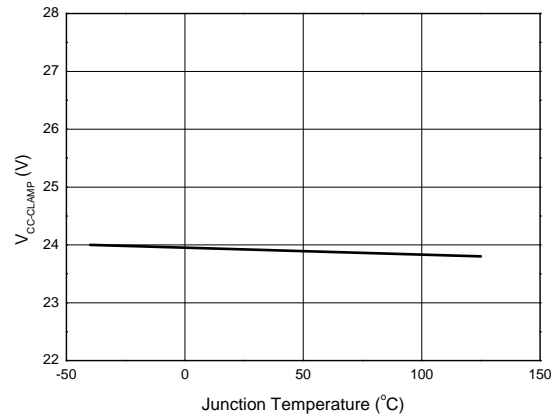
Start-up & UVLO vs. T_J



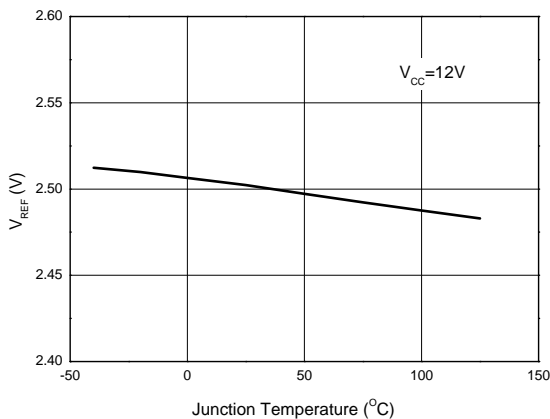
I_{CC} Consumption vs. T_J



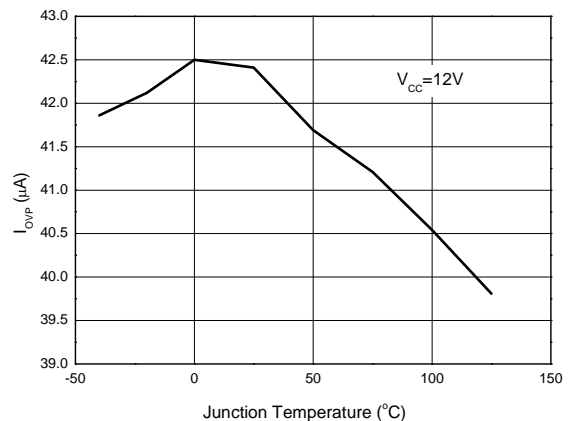
V_{CC} Zener Voltage vs. T_J



Feedback Reference Voltage vs. T_J

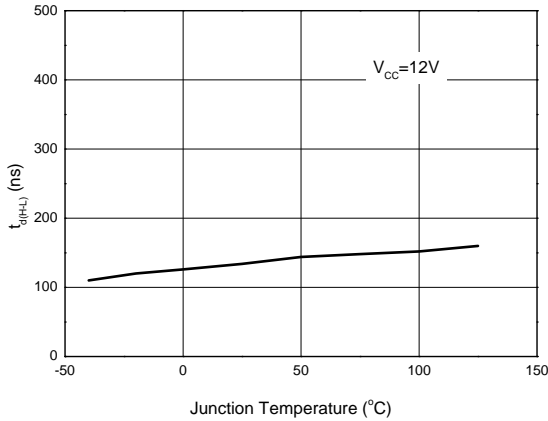


OVP Current vs. T_J

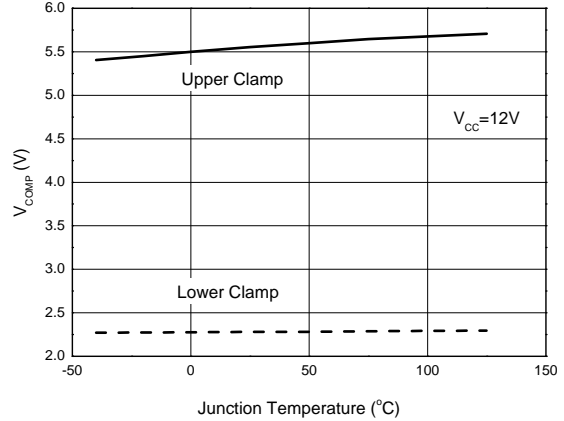


Performance Characteristics (cont.)

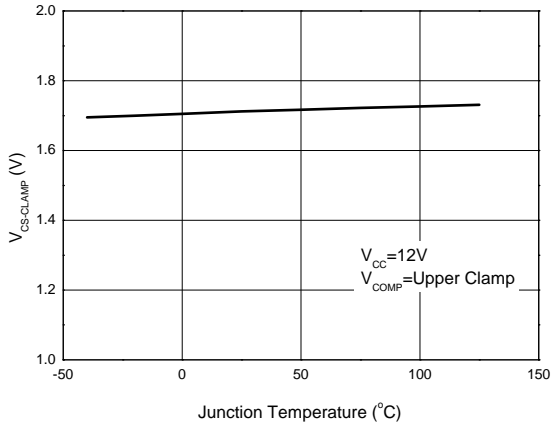
Delay-to-output vs. T_J



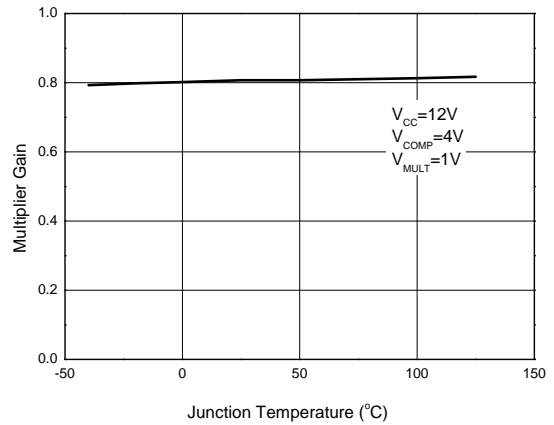
E/A Output Clamp Levels Vs. T_J



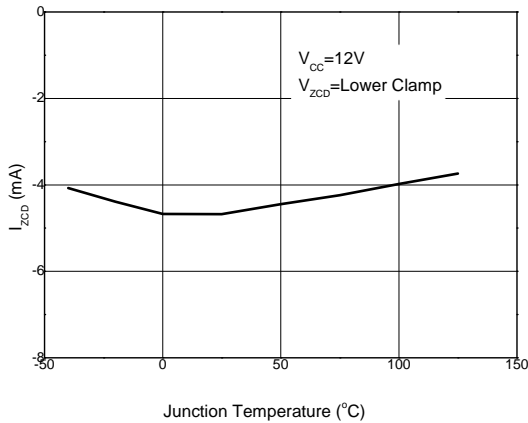
$V_{CS-CLAMP}$ vs. T_J



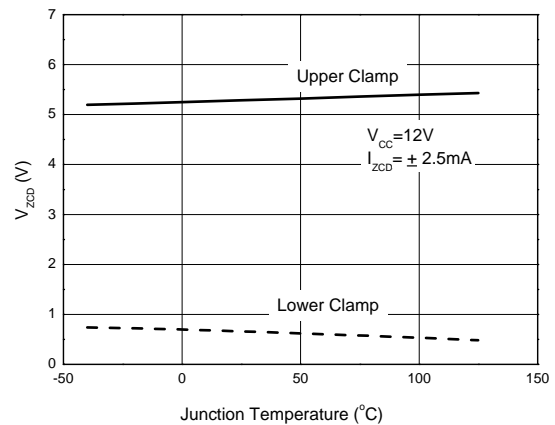
Multiplied Gain vs. T_J



ZCD Source Capability vs. T_J

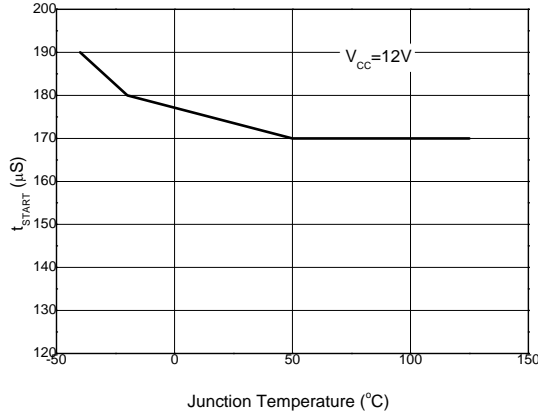


ZCD Clamp Levels Vs. T_J

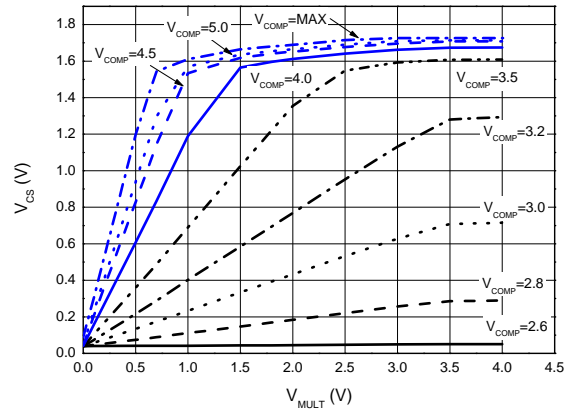


Performance Characteristics (cont.)

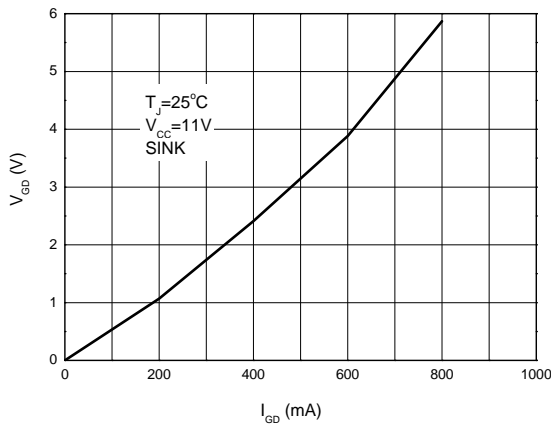
Start-up Timer vs. T_J



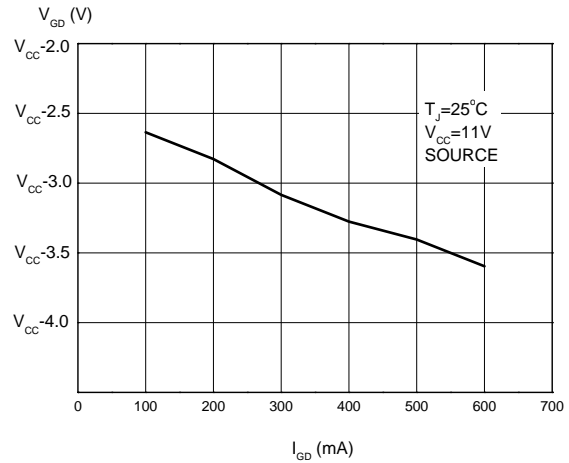
Multiplier Characteristics



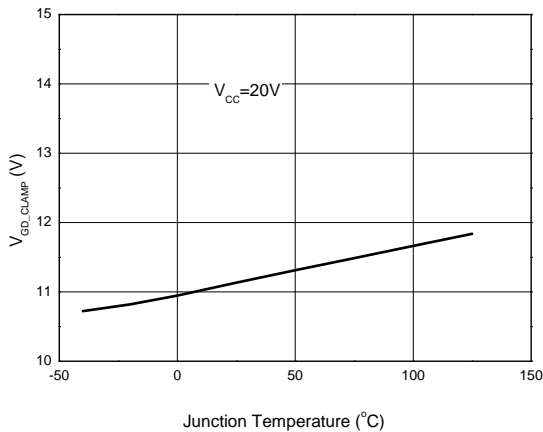
Gate-driver Output Low Saturation



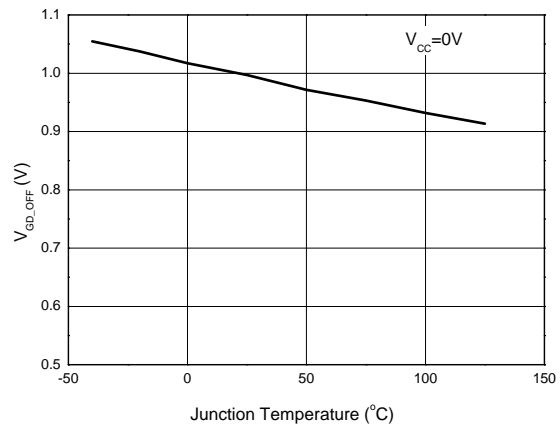
Gate-driver Output High Saturation



Gate-driver Clamp vs. T_J



UVLO Saturation vs. T_J



Application Information

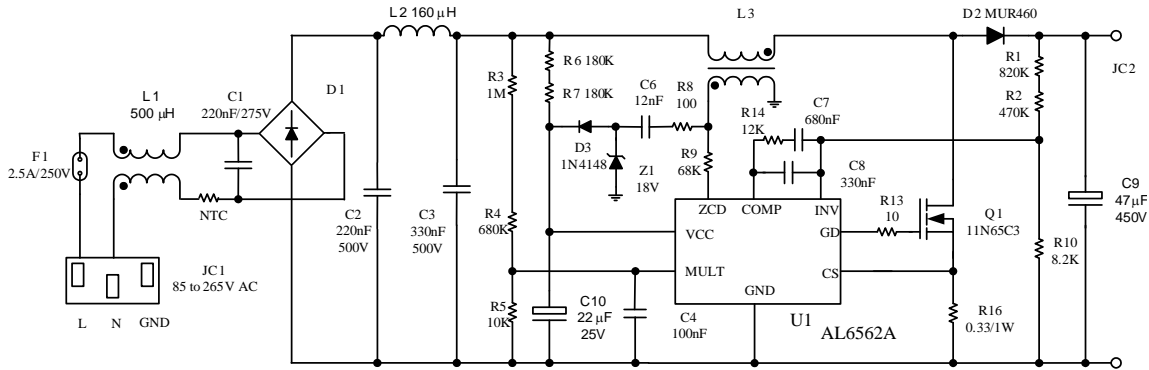


Figure 2 Boost Pre-Regulator PFC

POWER FACTOR CORRECTION

AL6562A functions as a transition mode PFC IC, meaning the MOSFET turns on when inductor current reaches zero, and turns off when the current meets desired input current reference voltage, as shown in Figure 3. A typical current waveform is depicted with envelope as shown, with the input current following that of the input voltage, achieving good power factor.

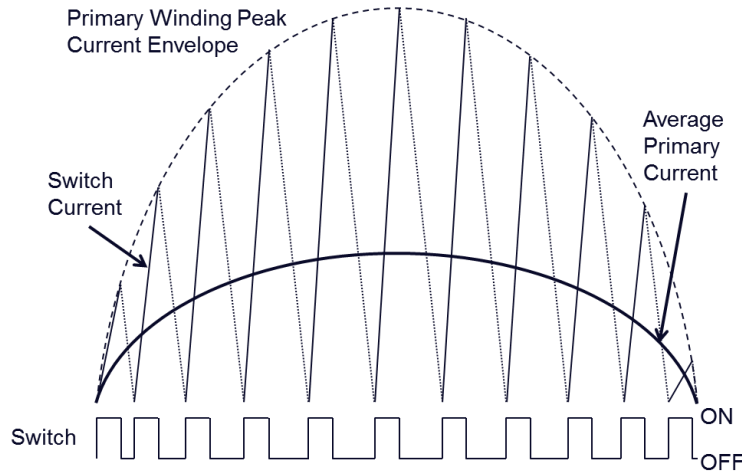


Figure 3 Typical Waveform of Inductor Current with Fixed ON Time

From a mathematical point of view, a PF value can be defined by:

$$PF = \cos(\theta) * k_D = \frac{\cos(\theta)}{\sqrt{1 + \sum_2^{\infty} \left(\frac{I_{rms,n}}{I_{rms,1}}\right)^2}}$$

Where $\cos(\theta)$ represents displacement factor with θ as the displacement angle between voltage and current fundamentals, and k_D represents distortion respectively.

Application Information (cont.)

k_D , the distortion can further be defined by:

$$k_D = \frac{I_{rms,1}}{I_{rms}} = \frac{I_{rms,1}}{\sqrt{I_{rms,2}^2 + I_{rms,3}^2 + \dots}}$$

Where $I_{rms,1}$ and $I_{rms,n}$ are the RMS (Root Mean Square) value n-th fundamental component of the current respectively. If the current and voltage are in phase, then $\theta = 0$, which will lead to $\cos(\theta) = 1$, and the PF will be simplified as:

$$PF = k_D$$

ZCD (Zero Current Detection)

The ZCD feature detects when the transformer primary current falls to zero, as the voltage across the inductor reverses, to initiate a new cycle that switches on the power MOSFET. The signal for ZCD is obtained by an auxiliary winding on the boost inductor, as shown in Figure 2.

Multiplier

The internal multiplier takes two inputs, one from a portion of the instantaneous rectified line voltage (via pin 3, MULT) and the other from the output of the E/A (via pin 2, COMP), to feed the PWM comparator to determine the exact instant when the MOSFET is to be switched off. The output of multiplier is a rectified sinusoid, similar to the instantaneous rectified line voltage, multiplied by the scaling factor determined by output of the Error Amplifier. The MULT output is then fed into the PWM comparator and is compared to the current sense voltage V_{CS} , to switch the Power MOSFET off. The formula governing all parameters is given by:

Multiplier Output:

$$V_{CS} = k \times (V_{COMP} - 2.5V) \times V_{MULT}$$

Where: k is the multiplier gain. V_{MULT} is set by external resistors R1 and R2.

OVP (Output Overvoltage Protection)

The output voltage can be kept constant by the operation of the PFC circuit close to its nominal value, as shown by Figure 2, which is set by the ratio of the two external resistors R3 and R4. Neglecting ripple current, current flowing through R3, I_{R3} , will equal the current through R4, I_{R4} . As the non-inverting input of the error amplifier is biased inside the AL6562A at 2.5V, the current through R4 is:

$$I_{R4} = \frac{2.5}{R_4} = I_{R3} = \frac{V_O - 2.5}{R_3} \tag{1}$$

If any abrupt change of output voltage, $\Delta V_O > 0$ occurs due to a load drop, the voltage at pin INV will be kept at 2.5V by the local feedback of the EA. The network connected between INV and COMP introduces a time constant to achieve high PF. The current through R4 will remain equal to $2.5/R_4$, but I_{R3} will become:

$$I'_{R3} = \frac{V_O + \Delta V_O - 2.5}{R_3} \tag{2}$$

The difference current $\Delta I_{R3} = I'_{R3} - I_{R3} = \Delta V_O / R_3$ will flow through the compensation network and enter the error amplifier output via pin COMP. The AL6562A monitors the current flowing into the error amplifier output pin. When the detected current is higher than 40 μ A, the dynamic OVP is triggered. The IC will be disabled and the driver signal will be stopped.

The output ΔV_O that is able to trigger the Dynamic OVP function is then:

$$\Delta V_O = 40\mu A \times R_3 \tag{3}$$

Application Information (cont.)

On the other hand, when the loading of PFC pre-regulator becomes low, the output voltage tends to stay steadily above the nominal value, which is not the case when OVP is triggered by abrupt voltage increase. If this occurs, the E/A will saturate low, the external power transistor is switched OFF, and the IC is put in idle state (static OVP). Normal operation is resumed as the error amplifier goes back into its linear region. As a result, the device will work in burst-mode, with a repetition rate that can be very low. When either OVP is activated, the quiescent consumption of the IC is reduced to minimum by the discharge of the capacitor and increases the hold-up capability of the IC supply.

THD (Total Harmonics Distortion)

The AL6562A reduces the THD by reducing conduction dead-angle occurring to the AC input current near the zero-crossings of the line voltage.

The important reason for this distortion to take place is the inability of the system to transfer energy effectively when the instantaneous line voltage is very low, which is the case near line-voltage zero-crossing. This effect is magnified by the high-frequency filter capacitor placed after the bridge rectifier, which retains some residual voltage that causes the diodes of the bridge rectifier to be reverse-biased and the input current flow to temporarily stop.

To overcome this issue, the circuit section designed in the AL6562A forces the PFC regulator to process more energy near the line voltage zero-crossings, as compared to that commanded by the control loop. This results in both minimizing the time interval when energy transfer is lacking, and fully discharging the high-frequency filter capacitor after the bridge.

In essence, the circuit artificially increases the ON-Time of the Power Switch with a positive offset added to the output of the multiplier in the proximity of the line voltage zero-crossings. This offset is reduced as the instantaneous line voltage increases, so that it becomes negligible as the line voltage moves towards the peak of the sinusoidal waveform.

Therefore, to maximize the benefit from the THD improvement circuit, the high-frequency filter capacitor after the bridge rectifier should be minimized and kept to satisfy the EMI filtering requirements.

Non-Latched IC Disable (Enable)

Pin 1, INV, inverting input to the error amplifier, doubles its function as a not-latched IC disable: a voltage below 0.3V shuts down the IC and reduces its consumption at a lower value. In order to restart the system, a voltage exceeding 0.48V must be applied. The main usage of this function is a remote ON/OFF control interface that can be driven by a PWM controller for power management purposes. However it also offers a certain degree of additional safety since it will make IC shutdown in case the lower resistor of the output divider is shorted to ground or if the upper resistor is missing or fails open.

Application Information (Cont.)

Single Stage LED Driver with PFC

One of the major applications of AL6562A is to provide a single stage power module with high PF for LED lighting. The following circuit, Figure 4, shows a simplified fly-back AC-DC converter with both CC and CV feedback from output side, to prevent overload and also provide an over-voltage protection facility.

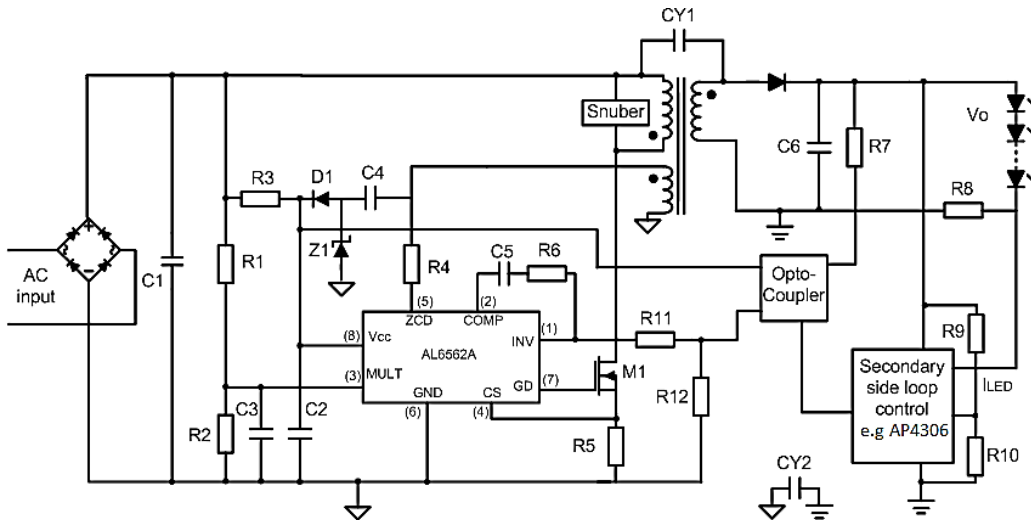


Figure 4 Single Stage PFC Isolated LED lighting

With its high performance, the AL6562A offers the following advantages that make this solution an appropriate method against the traditional PWM controller, where a good PF value is required:

- The input capacitance can be reduced to replace a bulky and expensive high-voltage electrolytic capacitor (as required by regular offline SMPS) by a small-size, cheaper film capacitor.
- Transition mode ensures low turn-on losses in MOSFET and higher efficiency can be achieved.
- Lower parts count means lower material cost, as well as lower assembly cost for limited space.

Application Information (Cont.)

PFC Pre-Regulator

Another major application of AL6562A is to implement a wide-range mains input PFC pre-regulator, which acts as the input stage for the cascaded DC-DC converter and can deliver above 350W in general.

The AL6562A can easily be implemented as PFC pre-regulator basing on fixed ON time mechanism due to its simplicity.

In fixed ON time mode, AL6562A is also working in transition mode where the inductor current will be turned on when zero crossing is detected.

By using boost-switching technique, the AL6562A shapes the input current by drawing a quasi-sinusoidal current in-phase with the line voltage. A simplified circuit, shown in Figure 5, explains the operation as follows:

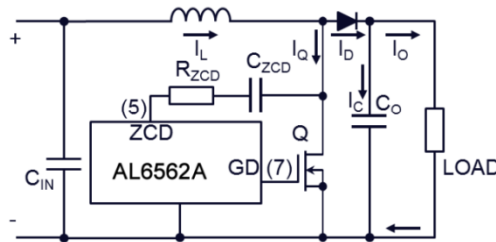


Figure 5 ZCD Pin Synchronization without Auxiliary Winding

The AC mains voltage is rectified by a diode bridge and delivered to the boost converter which boosts the rectified input voltage to a higher regulated DC bus V_O .

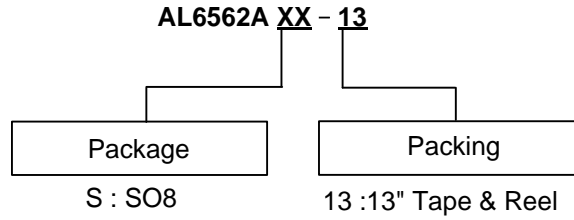
The error amplifier compares a portion of the output voltage with an internal reference and generates a signal error proportional to the difference between them. The bandwidth of the internal error amplifier is set to be narrow within 20Hz; the output would be a DC value over a given half-cycle. Output of E/A fed into multiplier, multiplied by a portion of the rectified mains voltage, will generate a scaled rectified sinusoid whose peak amplitude depends on the rectified mains peak voltage as well as the value of error signal.

The output of the multiplier is fed into the non-inverting pin of the internal PWM comparator. As the output from the multiplier, a sinusoidal reference for PWM, equals the voltage on the current sense pin CS(4), the MOSFET will be turned off. As a consequence, the peak inductor current will follow the envelope of a rectified sinusoid. After the MOSFET is turned off, the boost inductor discharges its stored energy to the load until zero current is detected and then the MOSFET will be turned on again.

In the case where there is no auxiliary winding on the boost inductor, a solution can be implemented by connecting the ZCD pin to the drain of the power MOSFET through an R-C network: in this way the high-frequency edges experienced by the drain will be transferred to the ZCD pin, hence arming and triggering the ZCD comparator.

The resistance value must be properly chosen to limit the current sourced/sunk by the ZCD pin. In typical applications with output voltages around 400V, recommended values for these components are 22pF (or 33pF) for C_{ZCD} and 330K for R_{ZCD} . With these values proper operation is ensured even with a few volts difference between the regulated output voltage and the peak input voltage.

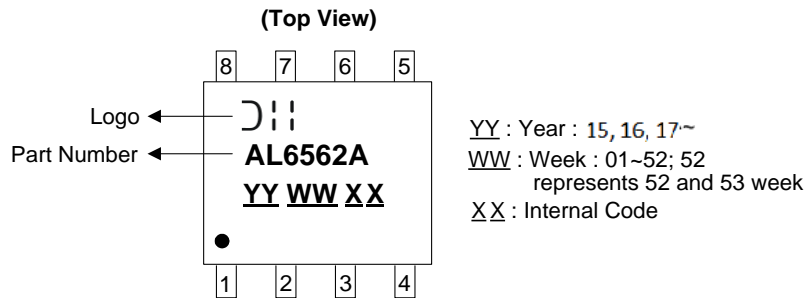
Ordering Information



Part Number	Package	Package code	13" Tape and Reel	
			Quantity	Part Number Suffix
AL6562AS-13	SO-8	S	2,500/Tape & Reel	-13

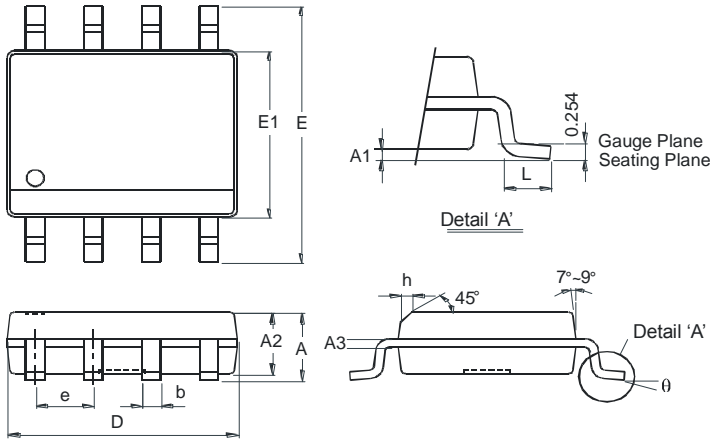
Marking Information

(1) SO-8



Package Outline Dimensions (All Dimensions in mm.)

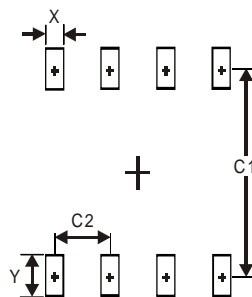
Please see AP02002 at <http://www.diodes.com/datasheets/ap02002.pdf> for the latest version.



SO-8		
Dim	Min	Max
A	-	1.75
A1	0.10	0.20
A2	1.30	1.50
A3	0.15	0.25
b	0.3	0.5
D	4.85	4.95
E	5.90	6.10
E1	3.85	3.95
e	1.27 Typ	
h	-	0.35
L	0.62	0.82
θ	0°	8°
All Dimensions in mm		

Suggested Pad Layout

Please see AP02001 at <http://www.diodes.com/datasheets/ap02001.pdf> for the latest version.



Dimensions	Value (in mm)
X	0.60
Y	1.55
C1	5.4
C2	1.27

IMPORTANT NOTICE

DIODES INCORPORATED MAKES NO WARRANTY OF ANY KIND, EXPRESS OR IMPLIED, WITH REGARDS TO THIS DOCUMENT, INCLUDING, BUT NOT LIMITED TO, THE IMPLIED WARRANTIES OF MERCHANTABILITY AND FITNESS FOR A PARTICULAR PURPOSE (AND THEIR EQUIVALENTS UNDER THE LAWS OF ANY JURISDICTION).

Diodes Incorporated and its subsidiaries reserve the right to make modifications, enhancements, improvements, corrections or other changes without further notice to this document and any product described herein. Diodes Incorporated does not assume any liability arising out of the application or use of this document or any product described herein; neither does Diodes Incorporated convey any license under its patent or trademark rights, nor the rights of others. Any Customer or user of this document or products described herein in such applications shall assume all risks of such use and will agree to hold Diodes Incorporated and all the companies whose products are represented on Diodes Incorporated website, harmless against all damages.

Diodes Incorporated does not warrant or accept any liability whatsoever in respect of any products purchased through unauthorized sales channel.

Should Customers purchase or use Diodes Incorporated products for any unintended or unauthorized application, Customers shall indemnify and hold Diodes Incorporated and its representatives harmless against all claims, damages, expenses, and attorney fees arising out of, directly or indirectly, any claim of personal injury or death associated with such unintended or unauthorized application.

Products described herein may be covered by one or more United States, international or foreign patents pending. Product names and markings noted herein may also be covered by one or more United States, international or foreign trademarks.

This document is written in English but may be translated into multiple languages for reference. Only the English version of this document is the final and determinative format released by Diodes Incorporated.

LIFE SUPPORT

Diodes Incorporated products are specifically not authorized for use as critical components in life support devices or systems without the express written approval of the Chief Executive Officer of Diodes Incorporated. As used herein:

A. Life support devices or systems are devices or systems which:

1. are intended to implant into the body, or
2. support or sustain life and whose failure to perform when properly used in accordance with instructions for use provided in the labeling can be reasonably expected to result in significant injury to the user.

B. A critical component is any component in a life support device or system whose failure to perform can be reasonably expected to cause the failure of the life support device or to affect its safety or effectiveness.

Customers represent that they have all necessary expertise in the safety and regulatory ramifications of their life support devices or systems, and acknowledge and agree that they are solely responsible for all legal, regulatory and safety-related requirements concerning their products and any use of Diodes Incorporated products in such safety-critical, life support devices or systems, notwithstanding any devices- or systems-related information or support that may be provided by Diodes Incorporated. Further, Customers must fully indemnify Diodes Incorporated and its representatives against any damages arising out of the use of Diodes Incorporated products in such safety-critical, life support devices or systems.

Copyright © 2015, Diodes Incorporated

www.diodes.com



Компания «ЭлектроПласт» предлагает заключение долгосрочных отношений при поставках импортных электронных компонентов на взаимовыгодных условиях!

Наши преимущества:

- Оперативные поставки широкого спектра электронных компонентов отечественного и импортного производства напрямую от производителей и с крупнейших мировых складов;
- Поставка более 17-ти миллионов наименований электронных компонентов;
- Поставка сложных, дефицитных, либо снятых с производства позиций;
- Оперативные сроки поставки под заказ (от 5 рабочих дней);
- Экспресс доставка в любую точку России;
- Техническая поддержка проекта, помощь в подборе аналогов, поставка прототипов;
- Система менеджмента качества сертифицирована по Международному стандарту ISO 9001;
- Лицензия ФСБ на осуществление работ с использованием сведений, составляющих государственную тайну;
- Поставка специализированных компонентов (Xilinx, Altera, Analog Devices, Intersil, Interpoint, Microsemi, Aeroflex, Peregrine, Syfer, Eurofarad, Texas Instrument, Miteq, Cobham, E2V, MA-COM, Hittite, Mini-Circuits, General Dynamics и др.);

Помимо этого, одним из направлений компании «ЭлектроПласт» является направление «Источники питания». Мы предлагаем Вам помощь Конструкторского отдела:

- Подбор оптимального решения, техническое обоснование при выборе компонента;
- Подбор аналогов;
- Консультации по применению компонента;
- Поставка образцов и прототипов;
- Техническая поддержка проекта;
- Защита от снятия компонента с производства.



Как с нами связаться

Телефон: 8 (812) 309 58 32 (многоканальный)

Факс: 8 (812) 320-02-42

Электронная почта: org@eplast1.ru

Адрес: 198099, г. Санкт-Петербург, ул. Калинина, дом 2, корпус 4, литера А.