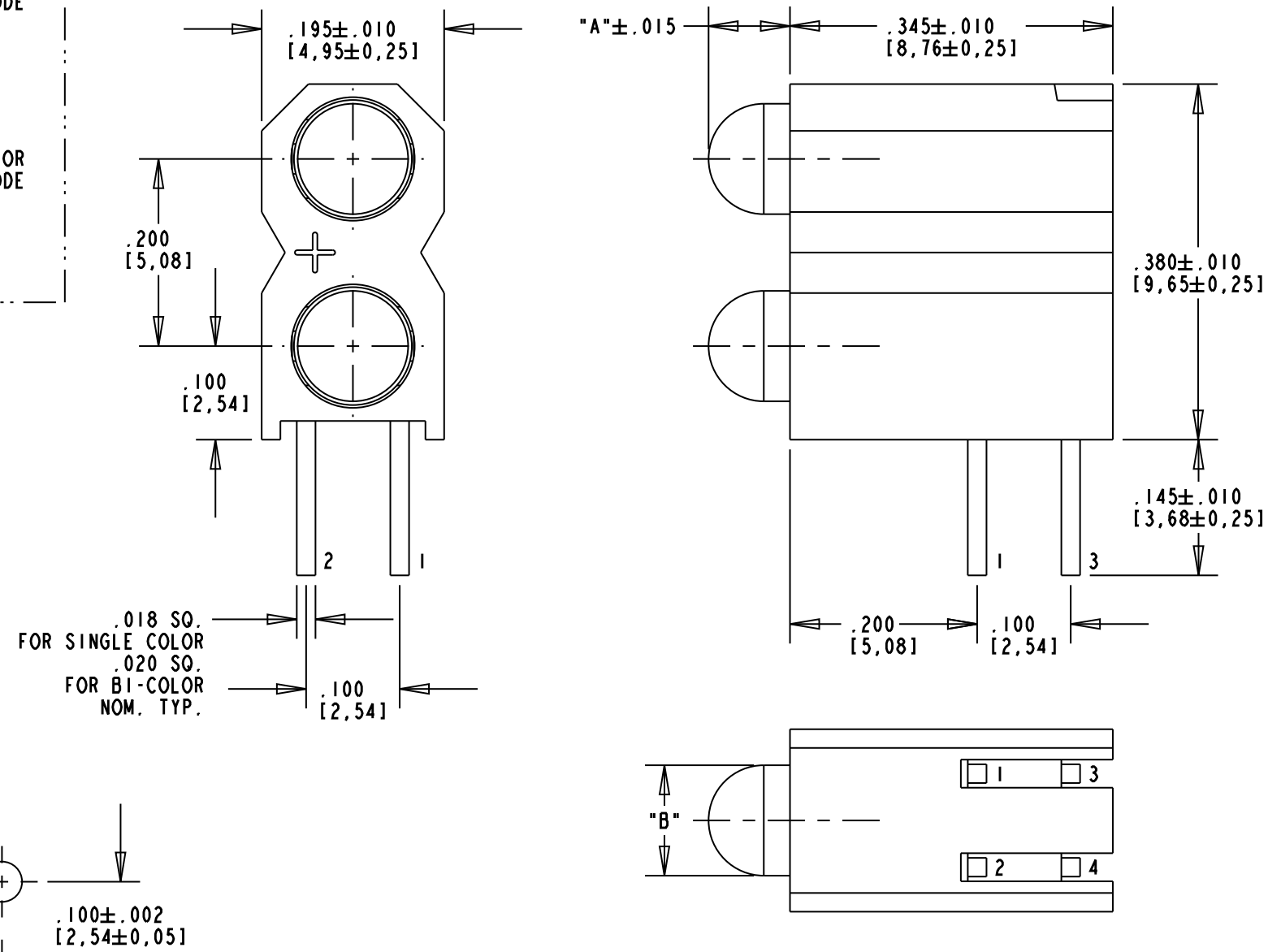
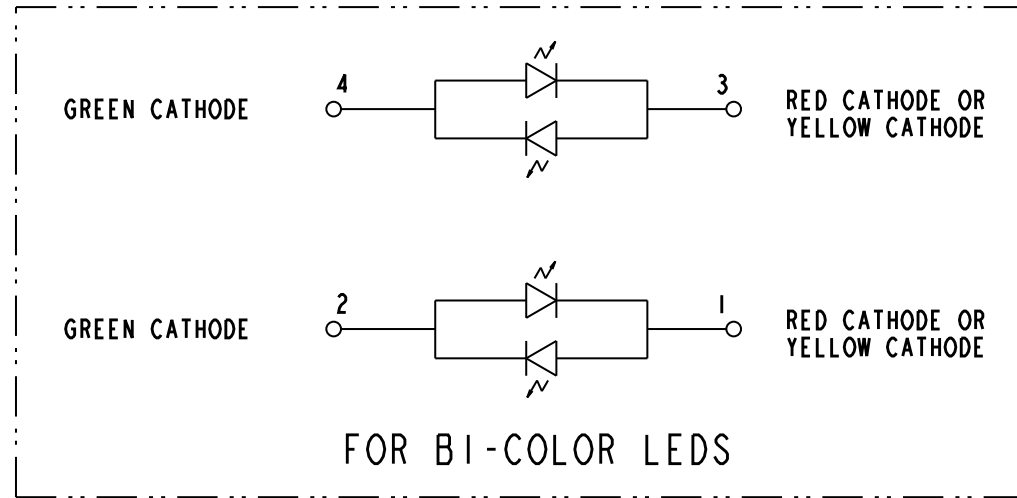


| DIALIGHT PART NUMBER | LED COLOR | | DIM "A" | DIM "B" |
|----------------------|----------------------------|----------------------------|---------|-----------|
| | POSITION 1 | POSITION 2 | | |
| 553-0102-300F | BLANK | GREEN DIFFUSED | .097 | .122±.010 |
| 553-0103-300F | BLANK | YELLOW DIFFUSED | .097 | .122±.010 |
| 553-0108-300F | BLANK | BLUE NON-TINTED DIFFUSED | .093 | .110±.010 |
| 553-0111-300F | RED DIFFUSED | RED DIFFUSED | .097 | .122±.010 |
| 553-0112-300F | RED DIFFUSED | GREEN DIFFUSED | .097 | .122±.010 |
| 553-0113-300F | RED DIFFUSED | YELLOW DIFFUSED | .097 | .122±.010 |
| 553-0117-300F | RED DIFFUSED | ORANGE DIFFUSED | .097 | .122±.010 |
| 553-0121-300F | GREEN DIFFUSED | RED DIFFUSED | .097 | .122±.010 |
| 553-0122-300F | GREEN DIFFUSED | GREEN DIFFUSED | .097 | .122±.010 |
| 553-0123-300F | GREEN DIFFUSED | YELLOW DIFFUSED | .097 | .122±.010 |
| 553-0127-300F | GREEN DIFFUSED | ORANGE DIFFUSED | .087 | .115±.010 |
| 553-0131-300F | YELLOW DIFFUSED | RED DIFFUSED | .097 | .122±.010 |
| 553-0132-300F | YELLOW DIFFUSED | GREEN DIFFUSED | .097 | .122±.010 |
| 553-0133-300F | YELLOW DIFFUSED | YELLOW DIFFUSED | .097 | .122±.010 |
| 553-0172-300F | ORANGE DIFFUSED | GREEN DIFFUSED | .097 | .122±.010 |
| 553-0177-300F | ORANGE DIFFUSED | ORANGE DIFFUSED | .087 | .115±.010 |
| 553-0188-300F | BLUE NON-TINTED DIFFUSED | BLUE NON-TINTED DIFFUSED | .093 | .110±.005 |
| 553-0201-300F | BLANK | 2 mA RED DIFFUSED | .087 | .115±.010 |
| 553-0203-300F | BLANK | 2 mA YELLOW DIFFUSED | .087 | .115±.010 |
| 553-0211-300F | 2 mA RED DIFFUSED | 2 mA RED DIFFUSED | .087 | .115±.010 |
| 553-0212-300F | 2 mA RED DIFFUSED | 2 mA GREEN DIFFUSED | .087 | .115±.010 |
| 553-0213-300F | 2 mA RED DIFFUSED | 2 mA YELLOW DIFFUSED | .087 | .115±.010 |
| 553-0221-300F | 2 mA GREEN DIFFUSED | 2 mA RED DIFFUSED | .087 | .115±.010 |
| 553-0222-300F | 2 mA GREEN DIFFUSED | 2 mA GREEN DIFFUSED | .087 | .115±.010 |
| 553-0223-300F | 2 mA GREEN DIFFUSED | 2 mA YELLOW DIFFUSED | .087 | .115±.010 |
| 553-0232-300F | 2 mA YELLOW DIFFUSED | 2 mA GREEN DIFFUSED | .087 | .115±.010 |
| 553-0233-300F | 2 mA YELLOW DIFFUSED | 2 mA YELLOW DIFFUSED | .087 | .115±.010 |
| 553-0303-300F | BLANK | 5 V YELLOW DIFFUSED | .087 | .115±.010 |
| 553-0311-300F | 5 V RED DIFFUSED | 5 V RED DIFFUSED | .087 | .115±.010 |
| 553-0312-300F | 5 V RED DIFFUSED | 5 V GREEN DIFFUSED | .087 | .115±.010 |
| 553-0313-300F | 5 V RED DIFFUSED | 5 V YELLOW DIFFUSED | .087 | .115±.010 |
| 553-0322-300F | 5 V GREEN DIFFUSED | 5 V GREEN DIFFUSED | .087 | .115±.010 |
| 553-0323-300F | 5 V GREEN DIFFUSED | 5 V YELLOW DIFFUSED | .087 | .115±.010 |
| 553-0332-300F | 5 V YELLOW DIFFUSED | 5 V GREEN DIFFUSED | .087 | .115±.010 |
| 553-0333-300F | 5 V YELLOW DIFFUSED | 5 V YELLOW DIFFUSED | .087 | .115±.010 |
| 553-0701-300F | BLANK | BI-COLOR RED/GREEN | .093 | .118±.005 |
| 553-0711-300F | BI-COLOR RED/GREEN | BI-COLOR RED/GREEN | .093 | .118±.005 |
| 553-0714-300F | BI-COLOR RED/GREEN | BI-COLOR YELLOW/GREEN | .093 | .118±.005 |
| 553-0741-300F | BI-COLOR YELLOW/GREEN | BI-COLOR RED/GREEN | .093 | .118±.005 |
| 553-0744-300F | BI-COLOR YELLOW/GREEN | BI-COLOR YELLOW/GREEN | .093 | .118±.005 |
| 553-2211-300F | RED TINTED NON-DIFFUSED | RED TINTED NON-DIFFUSED | .087 | .115±.010 |
| 553-2222-300F | GREEN TINTED NON-DIFFUSED | GREEN TINTED NON-DIFFUSED | .087 | .115±.010 |
| 553-2223-300F | GREEN TINTED NON-DIFFUSED | YELLOW TINTED NON-DIFFUSED | .087 | .115±.010 |
| 553-2232-300F | YELLOW TINTED NON-DIFFUSED | GREEN TINTED NON-DIFFUSED | .087 | .115±.010 |
| 553-2233-300F | YELLOW TINTED NON-DIFFUSED | YELLOW TINTED NON-DIFFUSED | .087 | .115±.010 |

NOTES:

- LED LEAD DIMENSIONS SHOWN ARE MEASURED AT HOUSING EXIT.
- LEADS TO FIT INTO HOLES SPACED AS PER PATTERN.
- PIN NUMBERS FOR REFERENCE ONLY, DESIGNATION NON-EXISTENT ON PART.
- DIALIGHT PART NUMBERS: 553-XXXX-300F.
- THIS ASSEMBLY CONTAINS ELECTROSTATIC DISCHARGE SENSITIVE DEVICES (ESDS). MAINTAIN ALL PRECAUTIONARY MEASURES DURING ASSEMBLY, HANDLING, AND STORAGE IN ACCORDANCE WITH IPC-A-610.



| 10 mA NON-DIFFUSED LED [OPERATING CHARACTERISTICS AT 25°C] | | | | | | |
|--|--------|-----|-----|-----|-------|-------------------------|
| CHARACTERISTICS | COLOR | MIN | TYP | MAX | UNITS | TEST CONDITIONS |
| LUMINOUS INTENSITY | RED | 8.7 | 29 | | mcd | I _f = 10 mA |
| | YELLOW | 10 | 50 | | | |
| | GREEN | 32 | 50 | | | |
| FORWARD VOLTAGE | RED | 2.0 | 2.8 | | V | I _f = 10 mA |
| | YELLOW | 2.1 | 2.8 | | | |
| | GREEN | 2.1 | 2.8 | | | |
| REVERSE VOLTAGE | RED | 5 | | | V | I _r = 100 μA |
| | YELLOW | 5 | | | | |
| | GREEN | 5 | | | | |
| PEAK WAVELENGTH | RED | 635 | | | nm | MEASURED AT PEAK |
| | YELLOW | 585 | | | | |
| | GREEN | 565 | | | | |

| BI-COLOR LED [OPERATING CHARACTERISTICS AT 25°C] | | | | | | |
|--|--------|-----|------|-----|-------|------------------------|
| CHARACTERISTICS | COLOR | MIN | TYP | MAX | UNITS | TEST CONDITIONS |
| LUMINOUS INTENSITY | YELLOW | 2.5 | 4.3 | | mcd | I _f = 10 mA |
| | GREEN | 2.5 | 6.3 | | | |
| | RED | 3.7 | 10.0 | | | |
| FORWARD VOLTAGE | YELLOW | 2.1 | 2.8 | | mA | I _f = 10 mA |
| | GREEN | 2.1 | 2.8 | | | |
| | RED | 2.0 | 2.8 | | | |
| PEAK WAVELENGTH | YELLOW | 585 | | | nm | MEASURED AT PEAK |
| | GREEN | 565 | | | | |
| | RED | 635 | | | | |

| 10 mA DIFFUSED LED [OPERATING CHARACTERISTICS AT 25°C] | | | | | | |
|--|--------|-----|-----|-----|-------|------------------------|
| CHARACTERISTICS | COLOR | MIN | TYP | MAX | UNITS | TEST CONDITIONS |
| LUMINOUS INTENSITY | RED | 3.6 | 10 | | mcd | I _f = 10 mA |
| | YELLOW | 2.2 | 6.3 | | | |
| | GREEN | 5.6 | 16 | | | |
| | BLUE | 6.3 | 20 | | | |
| | ORANGE | 3.4 | 7.0 | | | |
| FORWARD VOLTAGE | RED | 2.0 | 3.0 | | V | I _f = 10 mA |
| | YELLOW | 2.1 | 3.0 | | | |
| | GREEN | 2.1 | 3.0 | | | |
| | BLUE | 3.5 | 4.2 | | | |
| | ORANGE | 1.5 | 2.2 | 3.0 | | |
| REVERSE VOLTAGE | RED | 3 | | | V | I _r = 10 μA |
| | YELLOW | 3 | | | | |
| | GREEN | 3 | | | | |
| | BLUE | 3 | | | | |
| | ORANGE | 5 | | | | |
| PEAK WAVELENGTH | RED | 650 | | | nm | MEASURED AT PEAK |
| | YELLOW | 585 | | | | |
| | GREEN | 563 | | | | |
| | BLUE | 428 | | | | |
| | ORANGE | 600 | | | | |

| 2 mA NON-DIFFUSED LED [OPERATING CHARACTERISTICS AT 25°C] | | | | | | |
|---|--------|-----|-----|-----|-------|------------------------|
| CHARACTERISTICS | COLOR | MIN | TYP | MAX | UNITS | TEST CONDITIONS |
| LUMINOUS INTENSITY | RED | 1.0 | 1.6 | | mcd | I _f = 2 mA |
| | YELLOW | 1.0 | 1.6 | | | |
| | GREEN | 1.0 | 1.6 | | | |
| FORWARD VOLTAGE | RED | 1.7 | 2.2 | | V | I _f = 2 mA |
| | YELLOW | 1.8 | 2.7 | | | |
| | GREEN | 1.9 | 2.2 | | | |
| REVERSE VOLTAGE | RED | 5 | | | V | I _r = 50 μA |
| | YELLOW | 5 | | | | |
| | GREEN | 5 | | | | |
| PEAK WAVELENGTH | RED | 635 | | | nm | MEASURED AT PEAK |
| | YELLOW | 585 | | | | |
| | GREEN | 565 | | | | |

| 5 V INTEGRAL RESISTOR LED [OPERATING CHARACTERISTICS AT 25°C] | | | | | | |
|---|--------|-----|------|-----|-------|-------------------------|
| CHARACTERISTICS | COLOR | MIN | TYP | MAX | UNITS | TEST CONDITIONS |
| LUMINOUS INTENSITY | RED | 8.7 | 29 | | mcd | V _f = 5 V |
| | YELLOW | 3.7 | 12.6 | | | |
| | GREEN | 5.6 | 19 | | | |
| FORWARD CURRENT | RED | 10 | 20 | | mA | V _f = 5 V |
| | YELLOW | 10 | 20 | | | |
| | GREEN | 10 | 20 | | | |
| REVERSE VOLTAGE | RED | 5 | | | V | I _r = 100 μA |
| | YELLOW | 5 | | | | |
| | GREEN | 5 | | | | |
| PEAK WAVELENGTH | RED | 635 | | | nm | MEASURED AT PEAK |
| | YELLOW | 585 | | | | |
| | GREEN | 565 | | | | |

RoHS Compliant 553-XXXX-300F Thru hole Bi-level CBI

Part Numbers with the "F" suffix ending are RoHS Compliant.
 Example: 553-0112-300F
 The bag packaging is marked with "RoHS Compliant" label or equivalent markings.
 Parts can be wave soldered, dip soldered or hand soldered using typical lead-free soldering process with max 260°C temp. for 5 sec.



ATTENTION:
 OBSERVE PRECAUTIONS FOR
 HANDLING ELECTROSTATIC
 SENSITIVE DEVICES

THIS DRAWING AND THE CONTENTS HEREIN ARE CONFIDENTIAL AND THE SOLE PROPERTY OF DIALIGHT. REPRODUCTION OF THIS DRAWING OR CONSTRUCTION OF ANY PARTS WITHIN THIS DRAWING ARE FORBIDDEN WITHOUT THE WRITTEN CONSENT OF DIALIGHT.

| | | |
|--|----------------------|--|
| SCALE: 6.000 | DRAWING NUMBER | REV |
| ALL DIM'S IN: INCHES (MM) | C-17297 | B |
| TOLERANCES: UNLESS OTHERWISE SPECIFIED | TITLE | |
| FRACTIONS: ±1/64 | 3mm BI-LEVEL LED CBI | |
| DECIMALS (.XX): ±.02 | RoHS COMPLIANT | |
| DECIMALS (.XXX): ±.015 | MATERIAL | |
| ANGLES: ±1° | | |
| FINISH: | | |
| FSCM 83330 | Dialight | 1501 ROUTE 34 SOUTH FARMINGDALE, NJ 07727 |
| | SHEET 1 OF 1 | FAMILY TABLE: |



Компания «ЭлектроПласт» предлагает заключение долгосрочных отношений при поставках импортных электронных компонентов на взаимовыгодных условиях!

Наши преимущества:

- Оперативные поставки широкого спектра электронных компонентов отечественного и импортного производства напрямую от производителей и с крупнейших мировых складов;
- Поставка более 17-ти миллионов наименований электронных компонентов;
- Поставка сложных, дефицитных, либо снятых с производства позиций;
- Оперативные сроки поставки под заказ (от 5 рабочих дней);
- Экспресс доставка в любую точку России;
- Техническая поддержка проекта, помощь в подборе аналогов, поставка прототипов;
- Система менеджмента качества сертифицирована по Международному стандарту ISO 9001;
- Лицензия ФСБ на осуществление работ с использованием сведений, составляющих государственную тайну;
- Поставка специализированных компонентов (Xilinx, Altera, Analog Devices, Intersil, Interpoint, Microsemi, Aeroflex, Peregrine, Syfer, Eurofarad, Texas Instrument, Miteq, Cobham, E2V, MA-COM, Hittite, Mini-Circuits, General Dynamics и др.);

Помимо этого, одним из направлений компании «ЭлектроПласт» является направление «Источники питания». Мы предлагаем Вам помощь Конструкторского отдела:

- Подбор оптимального решения, техническое обоснование при выборе компонента;
- Подбор аналогов;
- Консультации по применению компонента;
- Поставка образцов и прототипов;
- Техническая поддержка проекта;
- Защита от снятия компонента с производства.



Как с нами связаться

Телефон: 8 (812) 309 58 32 (многоканальный)

Факс: 8 (812) 320-02-42

Электронная почта: org@eplast1.ru

Адрес: 198099, г. Санкт-Петербург, ул. Калинина, дом 2, корпус 4, литера А.