

# Panasonic

## PIR Motion Sensor

### ((PaPIRs))

Special Designs from Panasonic that Provide High Sensitivity and Reliability



# Motion Sensor

# PIR Motion sensors (Passive Infrared or Pyroelectric) from Panasonic for optimal usability and reliability

Panasonic develops and produces PIR Motion sensors, which combine easy integration, high reliability and environment-friendly materials.

The Panasonic PIR Motion sensors abbreviated as PaPIRs, has three series of products, including

- EKMB(WL) with low current consumption
- EKMC(VZ) for general use
- AMN(NaPiOn), the traditional type. Various lenses, digital and analog types are available:

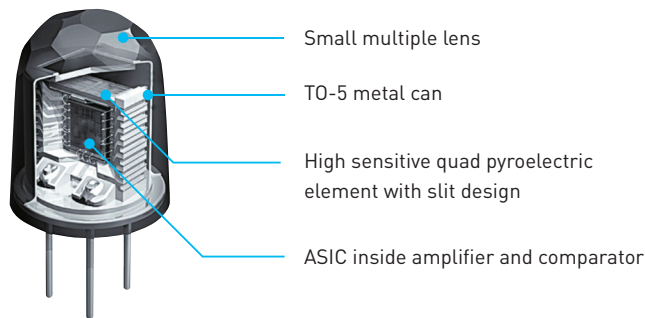


# Unique design to satisfy market demand

The PIR Motion sensors from Panasonic offer crucial advantages over conventional PIR Motion sensors. The unique design concept (explained below) ranges from the production of the pyroelectric sensing devices to the internal signal processing, thus guaranteeing an optimal detection capability and high reliability.

## Easy design-in, save design costs by excellent radiation noise resistance

The integrated amplifier /comparator circuit inside a TO-5 metal can (digital type) prevent interferences caused by electromagnetic fields, such as those generated by cell phones and wireless devices. A special differential circuit design is introduced for the EKMB 6μA type for applications where a high noise resistance is required (up to GHz range).



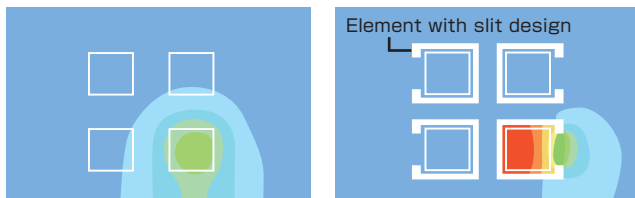
## Small and fancy lens design

A smaller lens size can be used thanks to the special design of the small pyroelectric elements.



## Better sensitivity (approx. 2 times better)

The sensitivity has been significantly improved thanks to a unique slit design of the pyroelectric elements. The separated sensing areas prevent thermal crosstalk between the single sensing elements. Therefore, reliable detection is possible even if the temperature difference between the background (e.g. floor /wall) and the target object (human) is small (e.g. ΔT=4degC)



Temperature distribution of conventional pyroelectric sensors without slit

Temperature distribution of Panasonic's pyroelectric infrared sensor for detection of humans

## Better signal-to-noise ratio (min.4 times better)

Improved signal-to-noise ratio thanks to a special I/V circuit which is used for converting a current signal from the pyroelectric element to voltage. Panasonic PIR Motion sensors perform by the feedback capacitor and the operational amplifier, different from the conventional FET-type, thereby decreasing the probability of false alarms due to temperature fluctuation.

### [PaPIRs] High S/N (= smaller steady noise)



### [Conventional Type] Low S/N (=bigger steady noise)



## Lead-free pyroelectric element

A ferroelectric LiTaO3 single lead-free crystal is used as the pyroelectric element for Panasonic PIR Motion sensors. Conventional PIR Motion sensors normally use a ceramic base material (e.g. PZT) for the pyroelectric element, which contains lead in many cases.

## Low current consumption < EKMB(WL) series only >

Reduction of current consumption (1, 2 or 6μA) thanks to the special circuit design technology allows battery life to be extended for battery-driven products including wireless devices etc.

# Extensive line-up to satisfy a variety of applications

Please choose based on your application and/or environmental requirement

## ((PaPIRs)) motion sensor

### EKMB(WL)series

- Low current consumption for battery-driven applications
- A special differential input circuit design is introduced for the EKMB 6 $\mu$ A type for applications where a high noise resistance is required (up to GHz range)

#### ► Choose by the lens

#### Lenses for the EKMB/ EKMC series



Standard detection type



Long distance detection type



Wall installation type



Standard detection type



Long distance detection type



Wall installation type

#### ► Choose by the current consumption in standby mode (1 $\mu$ A type : in sleep mode)

1 $\mu$ A

2 $\mu$ A

6 $\mu$ A

1 $\mu$ A

2 $\mu$ A

6 $\mu$ A

1 $\mu$ A

2 $\mu$ A

6 $\mu$ A

#### ► Choose by output

Digital

#### ► Choose by lens color

White

EKMB1101111 EKMB1201111 EKMB1301111K EKMB1103111 EKMB1203111 EKMB1303111K EKMB1104111 EKMB1204111 EKMB1304111K

Black

EKMB1101112 EKMB1201112 EKMB1301112K EKMB1103112 EKMB1203112 EKMB1303112K EKMB1104112 EKMB1204112 EKMB1304112K

Pearl white

EKMB1101113 EKMB1201113 EKMB1301113K EKMB1103113 EKMB1203113 EKMB1303113K EKMB1104113 EKMB1204113 EKMB1304113K

#### ► Reference page

P.5

and/or environmental requirements

### EKMC (VZ) series

- Economy type suitable for a wide range of applications

### AMN (NaPiOn) series

- Line-up with special detection lenses for slight motion or narrow spot detection
- Digital and analog output types available

**Lensless type available**

The EKMB/EKMC series also offers a lensless type for those customers who design their own lens.

**EKMB series**  
 1μA type: EKMB1100100  
 2μA type: EKMB1200100  
 6μA type: EKMB1300100K

**EKMC series**  
 170μA type: EKMC1600100

### Lenses for the AMN series



Standard detection type      Slight motion detection type      Spot detection type      10m detection type



170μA

170μA

Digital

Digital    Analog    Digital    Analog    Digital    Analog    Digital    Analog

|             |             |             |          |          |          |          |          |          |          |          |
|-------------|-------------|-------------|----------|----------|----------|----------|----------|----------|----------|----------|
| EKMC1601111 | EKMC1603111 | EKMC1604111 | AMN31112 | AMN21112 | AMN32112 | AMN22112 | AMN33112 | AMN23112 | AMN34112 | AMN24112 |
| EKMC1601112 | EKMC1603112 | EKMC1604112 | AMN31111 | AMN21111 | AMN32111 | AMN22111 | AMN33111 | AMN23111 | AMN34111 | AMN24111 |
| EKMC1601113 | EKMC1603113 | EKMC1604113 |          |          |          |          |          |          |          |          |

P.7

P.9

※Please contact the sales department when you require an AMN series lens with low current consumption (1.2 or 6μA).  
 ※New lenses are under development, please contact the sales department when you have special lens requirements.

# EKMB (WL) series

Current consumption **1/2/6μA** Digital output



Standard detection type



Long distance detection type



Wall installation type

- Low current consumption for battery-driven applications
- A special differential input circuit design (EKMB 6μA type only) for applications where a high noise resistance is required (up to GHz range).

**Recommended applications**

IoT, occupancy sensor module for smart home, battery-driven applications, wireless devices

**Lensless type available**

1μA type: EKMB1100100      6μA type: EKMB1300100K  
2μA type: EKMB1200100

## Specifications

| Detection performance   | Model no.    | Current consumption | Lens color  | Output type  | Detection distance | Detection area |          | Detection zones |
|---|--------------|---------------------|-------------|--|--------------------|----------------|----------|-----------------|
|   |              |                     |             |  |                    | Horizontal     | Vertical |                 |
| Standard detection type<br>       | EKMB1101111  | 1μA                 | White       | Digital  | 5m                 | 94°            | 82°      | 64              |
|   | EKMB1101112  |                     | Black       |  |                    |                |          |                 |
|   | EKMB1101113  |                     | Pearl white |  |                    |                |          |                 |
|   | EKMB1201111  | 2μA                 | White       |  |                    |                |          |                 |
|   | EKMB1201112  |                     | Black       |  |                    |                |          |                 |
|   | EKMB1201113  |                     | Pearl white |  |                    |                |          |                 |
|   | EKMB1301111K | 6μA                 | White       |  |                    |                |          |                 |
|   | EKMB1301112K |                     | Black       |  |                    |                |          |                 |
|   | EKMB1301113K |                     | Pearl white |  |                    |                |          |                 |
| Long distance detection type<br> | EKMB1103111  | 1μA                 | White       |  | 12m                | 102°           | 92°      | 92              |
|   | EKMB1103112  |                     | Black       |  |                    |                |          |                 |
|   | EKMB1103113  |                     | Pearl white |  |                    |                |          |                 |
|   | EKMB1203111  | 2μA                 | White       |  |                    |                |          |                 |
|   | EKMB1203112  |                     | Black       |  |                    |                |          |                 |
|   | EKMB1203113  |                     | Pearl white |  |                    |                |          |                 |
|   | EKMB1303111K | 6μA                 | White       |  |                    |                |          |                 |
|   | EKMB1303112K |                     | Black       |  |                    |                |          |                 |
|   | EKMB1303113K |                     | Pearl white |  |                    |                |          |                 |
| Wall installation type<br>       | EKMB1104111  | 1μA                 | White       | 12m (1st step lens)<br>6m (2nd step lens)<br>3m (3rd step lens)<br>Please refer to page 8 for details. | 40°                | 105°           | 68       |                 |
|   | EKMB1104112  |                     | Black       |  |                    |                |          |                 |
|   | EKMB1104113  |                     | Pearl white |  |                    |                |          |                 |
|   | EKMB1204111  | 2μA                 | White       |  |                    |                |          |                 |
|   | EKMB1204112  |                     | Black       |  |                    |                |          |                 |
|   | EKMB1204113  |                     | Pearl white |  |                    |                |          |                 |
|   | EKMB1304111K | 6μA                 | White       |  |                    |                |          |                 |
|   | EKMB1304112K |                     | Black       |  |                    |                |          |                 |
|   | EKMB1304113K |                     | Pearl white |  |                    |                |          |                 |

**Ordering information**

EKMB 1    1

- PaPIRs motion sensor
- Current consumption in standby mode  
1: 1μA / 2: 2μA / 3: 6μA
- Detection (Lens)  
00: Lensless / 01: 5m distance standard /  
03: 12m long distance / 04: Wall installation type

- Others  
K: 6μA / Blank: Other than 6μA
- Lens color  
0: Lensless / 1: White /  
2: Black / 3: Pearl white
- Lens  
0: Lensless / 1: with lens

## Characteristics

### Maximum rated values

| Items                | Value                                    |
|----------------------|--|
| Power supply voltage | -0.3 to 4.5V                             |
| Ambient temperature  | -20 to +60°C (No frost, no condensation) |
| Storage temperature  | -20 to +70°C                             |

### Electrical Characteristics

| Items  | Symbol | 1μA type       | 2μA type | 6μA type | Conditions      |   |
|--|--------|----------------|----------|----------|-----------------|---|
| Operating voltage                                | Max    | 4.0V           |          |          | —               |   |
|  | Min    | 2.3V           |          |          |                 |   |
| Current consumption (in standby mode) Note 1)    | Ave    | Iw             | 1μA      | 2μA      | 6μA             | Ambient temperature: 25°C<br>Iout=0<br>Vdd: 3V    |
| Output current (during detection period) Note 2) | Max    | Iout           | 100μA    |          |                 | Ambient temperature: 25°C<br>Vout ≥ Vdd-0.5       |
| Output voltage (during detection period)         | Min    | Vout           | Vdd-0.5V |          |                 | Ambient temperature: 25°C<br>Open at no detection |
| Circuit stability time (when voltage is applied) | Ave    | T <sub>w</sub> | 25 sec   |          | —               | Ambient temperature: 25°C<br>Iout=0<br>Vdd: 3V    |
|  | Max    |                | 210 sec  |          | 10 sec, Note 3) |   |

Note 1) The total current consumption is equal to the current consumption in standby mode (Iw) plus the output current during detection (Iout). For the 1μA type please note that the average current consumption is 1μA in sleep mode and 1.9μA in standby mode. Please also refer to the timing chart.

Note 2) Please select an output resistors (pull-down concept) in accordance with Vout so that the output current is lower than or equal to 100μA. If the output current is more than 100μA, this may cause false alarms.

Note 3) The sensor temperature has to be constant for the time specified.

## Timing chart

### 2μA/6μA type



[Explanation of the timing]

T<sub>w</sub>: Circuit stability time: about 25 sec (typ.) for 2μA type, max. 10 sec for 6μA type. While the circuitry is stabilizing after the power is turned on, the sensor output is not fixed in the ON or OFF state. This is true regardless of whether or not the sensor has detected anything.

### 1μA type



[Explanation of modes]

- 1) Sleep mode: When the output is OFF. The electrical current consumption is around 1μA.
- 2) Standby mode: After the sensor's output has reached ON status, the sensor switches to standby mode. The electrical current consumption gets close to 1.9μA. When the sensor's output returns to its OFF value after the "hold time" has expired, the sensor switches again to sleep mode.
- 3) Mask mode: Time during which the output is forced to OFF status after the end of the standby mode. (No detection is possible during this period.)

[Explanation of the timing]

- t<sub>1</sub> (T<sub>w</sub>): Circuit stability time: about 25 sec (typ.)  
While the circuitry is stabilizing after the power is turned on, the sensor output is not fixed in the ON or OFF state. This is true regardless of whether or not the sensor has detected anything.
- t<sub>2</sub>: Standby hold time: about 2.6 sec (typ.) after the last detection of a signal. (※1)
- t<sub>3</sub>: Mask time: about 1.3 sec (typ.) During this stage, even if the sensor detects something, the output will not switch to ON. (※2)

# EKMC(VZ) series

Current consumption **170 $\mu$ A** Digital output



Standard detection type



Long distance detection type



Wall installation type

○Economy type suitable for a wide range of applications

**Recommended applications**

Lighting control, lighting equipment, heaters, ventilators or air conditioners, security equipment for IP cameras, intrusion alarms, digital signage, vending machines, multi-function printers, display panels for meeting rooms, PCs

Lensless type available  
170 $\mu$ A type: EKMC1600100

## Specifications

| Detection performance            | Model no.   | Current consumption | Lens color  | Output type | Detection distance  | Detection area |          | Detection zones |
|----------------------------------|-------------|---------------------|-------------|-------------|---|----------------|----------|-----------------|
|                                  |             |                     |             |             |   | Horizontal     | Vertical |                 |
| Standard detection type<br>      | EKMC1601111 | 170 $\mu$ A         | White       | Digital     | 5m  | 94°            | 82°      | 64              |
|                                  | EKMC1601112 |                     | Black       |             |   |                |          |                 |
|                                  | EKMC1601113 |                     | Pearl white |             |   |                |          |                 |
| Long distance detection type<br> | EKMC1603111 |                     | White       |             | 12m   | 102°           | 92°      | 92              |
|                                  | EKMC1603112 |                     | Black       |             |   |                |          |                 |
|                                  | EKMC1603113 |                     | Pearl white |             |   |                |          |                 |
| Wall installation type<br>       | EKMC1604111 |                     | White       |             | 12m (1st step lens)<br>6m (2nd step lens)<br>3m (3rd step lens) | 40°            | 105°     | 68              |
|                                  | EKMC1604112 |                     | Black       |             |   |                |          |                 |
|                                  | EKMC1604113 |                     | Pearl white |             |   |                |          |                 |

■ Ordering information

**EKMC16**       **1**      

- PaPIRs motion sensor
- Detection (Lens)
  - 00: Lensless / 01: 5m distance standard / 03: 12m long distance / 04: Wall installation type

- Lens color
  - 0: Lensless / 1: White / 2: Black / 3: Pearl white
- Lens
  - 0: Lensless / 1: with lens

## Characteristics

■ Maximum rated values

| Items                | Value                                    |
|----------------------|--|
| Power supply voltage | -0.3 to 7V                               |
| Ambient temperature  | -20 to +60°C (no frost, no condensation) |
| Storage temperature  | -20 to +70°C                             |

■ Electrical characteristics

| Items  |     | Symbol | EKMC (VZ) type | Conditions  |
|--|-----|--------|----------------|---|
| Operating voltage                                | Max | Vdd    | 6.0V           | —   |
|  | Min | Vdd    | 3.0V           |   |
| Current consumption (in standby mode) Note 1)    | Ave | Iw     | 170 $\mu$ A    | Ambient temperature: 25°C<br>Iout=0<br>Vdd: 5V    |
| Output current (during detection) Note 2)        | Max | Iout   | 100 $\mu$ A    | Ambient temperature: 25°C<br>Vout $\geq$ Vdd-0.5  |
| Output voltage (during detection period)         | Min | Vout   | Vdd-0.5V       | Ambient temperature: 25°C<br>Open at no detection |
| Circuit stability time (when voltage is applied) | Max | Twu    | 30 sec         | Ambient temperature: 25°C<br>Iout=0<br>Vdd: 5V    |

Note 1) Current consumption during detection period is the total value of current consumption in standby mode add to output current.  
Note 2) Please select an output resistors (pull-down concept) in accordance with Vout so that the output current is lower than or equal to 100 $\mu$ A. If the output current is more than 100 $\mu$ A, this may cause false alarms.

## Timing chart



[Explanation of the timing]

Twu: Circuit stability time: max. 30 sec  
During this stage, the output's status is undefined (ON/OFF) and detection is therefore not guaranteed.



# Lenses for the EKMB/EKMC series

## Dimension (mm)

## Detection zone

## Detection characteristics

### Standard detection type

CAD data



|                     |  |
|---------------------|--|
| Detection distance  | Max. 5m  |
| Field of view       | 94°×82°  |
| Detection zone      | 64 beams   |
| Detection condition | <ul style="list-style-type: none"> <li>The temperature difference between the target and the surroundings must be higher than 4°C.</li> <li>Movement speed: 1.0m/s</li> <li>Target concept: Human body with an approx. size of 700×250mm</li> <li>Target moving direction: Crossing the detection beam.</li> </ul> |

### Long distance detection type

CAD data



|                     |  |
|---------------------|--|
| Detection distance  | Max. 12m   |
| Field of view       | 102°×92°   |
| Detection zone      | 92 beams   |
| Detection condition | <ul style="list-style-type: none"> <li>The temperature difference between the target and the surroundings must be higher than 4°C.</li> <li>Movement speed: 1.0m/s</li> <li>Target concept: Human body with an approx. size of 700×250mm</li> <li>Target moving direction: Crossing the detection beam.</li> </ul> |

### Wall installation type

CAD data



|                     |  |          |
|---------------------|--|----------|
| Detection distance  | 1st step lens  | Max. 12m |
|                     | 2nd step lens  | Max. 6m  |
|                     | 3rd step lens  | Max. 3m  |
| Field of view       | 40°×105°   |          |
| Detection zone      | 68 beams   |          |
| Detection condition | <ul style="list-style-type: none"> <li>The temperature difference between the target and the surroundings must be higher than 4°C.</li> <li>Movement speed: 1.0m/s</li> <li>Target concept: Human body with an approx. size of 700×250mm</li> <li>Target moving direction: Crossing the detection beam.</li> </ul> |          |

### Lensless type



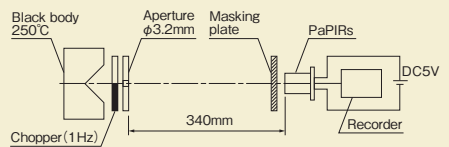
#### PIR element



|                       |  |
|-----------------------|--|
| Detection sensitivity | Average: 5.6μW/cm <sup>2</sup><br>Maximum: 7.6μW/cm <sup>2</sup> |
|-----------------------|--|

※Detection sensitivity is measured by following system

#### Test setup



# AMN (NaPiOn) series

Current consumption **170 $\mu$ A**

**Digital/Analog output**



Standard detection type



Slight motion detection type



Spot detection type



10m detection type

- Line-up with special detection lenses for slight motion or narrow spot detection
- Digital and analog output types

**Recommended applications**

Lighting control, lighting equipment, heaters, ventilators or air conditioners, security equipment for IP cameras, intrusion alarms, digital signage, vending machines, multi-function printers, display panels for meeting rooms, PCs

## Specifications

| Detection performance   | Model no. | Current consumption | Lens color | Output type | Detection distance | Detection area |          | Detection zones |    |     |     |     |
|---|-----------|---------------------|------------|-------------|--------------------|----------------|----------|-----------------|----|-----|-----|-----|
|   |           |                     |            |             |                    | Horizontal     | Vertical |                 |    |     |     |     |
| Standard detection type<br>        | AMN31112  | 170 $\mu$ A         | White      | Digital     | 5m                 | 100°           | 82°      | 64              |    |     |     |     |
|   | AMN31111  |                     | Black      |             |                    |                |          |                 |    |     |     |     |
|   | AMN21112  |                     | White      | Analog      |                    |                |          |                 |    |     |     |     |
|   | AMN21111  |                     | Black      |             |                    |                |          |                 |    |     |     |     |
| Slight motion detection type<br> | AMN32112  |                     | White      | Digital     |                    |                |          |                 | 2m | 92° | 92° | 104 |
|   | AMN32111  |                     | Black      |             |                    |                |          |                 |    |     |     |     |
|   | AMN22112  |                     | White      | Analog      |                    |                |          |                 |    |     |     |     |
|   | AMN22111  |                     | Black      |             |                    |                |          |                 |    |     |     |     |
| Spot detection type<br>          | AMN33112  |                     | White      | Digital     | 5m                 | 22°            | 38°      | 24              |    |     |     |     |
|   | AMN33111  |                     | Black      |             |                    |                |          |                 |    |     |     |     |
|   | AMN23112  |                     | White      | Analog      |                    |                |          |                 |    |     |     |     |
|   | AMN23111  |                     | Black      |             |                    |                |          |                 |    |     |     |     |
| 10m detection type<br>           | AMN34112  | White               | Digital    | 10m         | 110°               | 93°            | 80       |                 |    |     |     |     |
|   | AMN34111  | Black               |            |             |                    |                |          |                 |    |     |     |     |
|   | AMN24112  | White               | Analog     |             |                    |                |          |                 |    |     |     |     |
|   | AMN24111  | Black               |            |             |                    |                |          |                 |    |     |     |     |

■ Ordering information

AMN       1 1   

- NaPiOn sensor
- Output type  
2: Analog output / 3: Digital output (170 $\mu$ A)

- Lens color  
1: Black / 2: White
- Detection (Lens)  
1: Standard type / 2: Slight motion type / 3: Spot type / 4: 10m type

## Characteristics

### Maximum rated values

| Items                | Value                                    |
|----------------------|--|
| Power Supply voltage | -0.3 to 7V                               |
| Ambient temperature  | -20 to +60°C (No frost, no condensation) |
| Storage temperature  | -20 to +70°C                             |

### Electrical characteristics (digital output)

| Items  | Symbol | Digital output         | Conditions  |
|--|--------|------------------------|---|
| Operating voltage                                | Max    | 6.0V                   | —   |
|  | Min    | 3.0V                   |   |
| Current consumption (in standby mode) Note1)     | Ave    | 170μA                  | Ambient temperature: 25°C<br>I <sub>out</sub> =0 V <sub>dd</sub> : 5V |
| Output current (during detection) Note2)         | Max    | 100μA                  | Ambient temperature: 25°C<br>V <sub>out</sub> ≥ V <sub>dd</sub> - 0.5 |
| Output voltage (during detection period)         | Min    | V <sub>dd</sub> - 0.5V | Ambient temperature: 25°C<br>Open at no detection                     |
| Circuit stability time (when voltage is applied) | Max    | 30 sec                 | Ambient temperature: 25°C<br>I <sub>out</sub> =0 V <sub>dd</sub> : 5V |

Note 1) The total current consumption is equal to the current consumption in standby mode (I<sub>w</sub>) plus the output current during detection (I<sub>out</sub>).

Note 2) Please select an output resistor (pull-down concept) in accordance with V<sub>out</sub> so that the output current is lower than or equal to 100μA. If the output current is more than 100μA, this may cause false alarms.

### Electrical characteristics (analog output)

| Items   | Symbol | Analog output                    | Conditions  |
|---|--------|----------------------------------|---|
| Operating voltage                               | Max    | 5.5V                             | —   |
|   | Min    | 4.5V                             |   |
| Current consumption (in standby mode) Note1)    | Ave    | I <sub>w</sub>                   | Ambient temperature: 25°C<br>I <sub>out</sub> =0 V <sub>dd</sub> : 5V                       |
| Output current (during detection period) Note2) | Max    | I <sub>out</sub>                 | Ambient temperature: 25°C<br>V <sub>dd</sub> : 5V   |
| Output voltage range (during detection period)  | Max    | V <sub>dd</sub>                  | Ambient temperature: 25°C<br>V <sub>dd</sub> : 5V   |
|   | Min    | 0V                               |   |
| Output off set voltage (at non detection)       | Max    | V <sub>off</sub>                 | Ambient temperature: 25°C<br>V <sub>dd</sub> : 5V<br>Steady output voltage at non detection |
|   | Ave    |                                  |   |
|   | Min    |                                  |   |
| Steady noise                                    | Max    | V <sub>n</sub>                   | Ambient temperature: 25°C<br>V <sub>dd</sub> : 5V   |
|   | Ave    |                                  |   |
| Detection sensitivity                           | Min    | V <sub>h</sub> or V <sub>l</sub> | Ambient temperature: 25°C<br>V <sub>dd</sub> : 5V   |
|   | Max    | T <sub>wu</sub>                  | Ambient temperature: 25°C<br>V <sub>dd</sub> : 5V   |

Note 1) The total current consumption is equal to the current consumption in standby mode (I<sub>w</sub>) plus the output current during detection (I<sub>out</sub>).

Note 2) To set the same detection sensitive as for the digital output type, set the output voltage to 2.5V ±0.45V

## Timing chart

### Digital output



[Time axis explanation]

T<sub>wu</sub>: Circuit stability time: max. 30 sec

While the circuitry is stabilizing after the power is turned on, the sensor output is not fixed in the ON or OFF state. This is true regardless of whether or not the sensor has detected anything.

### Analog output



[Time axis explanation]

T<sub>wu</sub>: Circuit stability time: max. 45 sec

While the circuitry is stabilizing after the power is turned on, the sensor output is not fixed in the ON or OFF state. This is true regardless of whether or not the sensor has detected anything.

# Lenses for the AMN series

EKMB series

EKMC series

AMN series

| Dimension (mm) | Detection zone | Detection characteristics |
|----------------|----------------|---------------------------|
|----------------|----------------|---------------------------|

## Standard detection type

CAD data



|                     |  |
|---------------------|--|
| Detection distance  | 5m   |
| Field of view       | 100°×82°   |
| Detection zone      | 64 beams   |
| Detection condition | <ul style="list-style-type: none"> <li>The temperature difference between the target and the surroundings must be higher than 4°C.</li> <li>Movement speed: Digital output 0.8 to 1.2m/s Analog output 0.5 to 1.5m/s</li> <li>Target concept: Human body with an approx. size of 700×250mm</li> <li>Target moving direction: Crossing the detection beam.</li> </ul> |

## Slight motion detection type

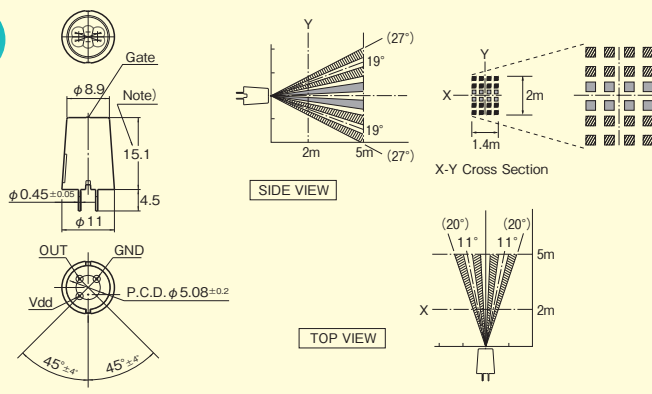
CAD data



|                     |   |
|---------------------|---|
| Detection distance  | 2m  |
| Field of view       | 92°×92°   |
| Detection zone      | 104 beams   |
| Detection condition | <ul style="list-style-type: none"> <li>The temperature difference between the target and the surroundings must be higher than 4°C.</li> <li>Movement speed: Digital output 0.5m/s Analog output 0.3 to 1.0m/s</li> <li>Target concept: Human body with an approx. size of 200×200mm</li> <li>Target moving direction: Crossing the detection beam.</li> </ul> |

## Spot detection type

CAD data



|                     |  |
|---------------------|--|
| Detection distance  | 5m   |
| Field of view       | 22°×38°  |
| Detection zone      | 24 beams   |
| Detection condition | <ul style="list-style-type: none"> <li>The temperature difference between the target and the surroundings must be higher than 4°C.</li> <li>Movement speed: Digital output 0.8 to 1.2m/s Analog output 0.5 to 1.5m/s</li> <li>Target concept: Human body with an approx. size of 700×250mm</li> <li>Target moving direction: Crossing the detection beam.</li> </ul> |

## 10m detection type

CAD data



|                     |  |
|---------------------|--|
| Detection distance  | 10m  |
| Field of view       | 110°×93°   |
| Detection zone      | 80 beams   |
| Detection condition | <ul style="list-style-type: none"> <li>The temperature difference between the target and the surroundings must be higher than 4°C.</li> <li>Movement speed: Digital output 0.8 to 1.2m/s Analog output 0.5 to 1.5m/s</li> <li>Target concept: Human body with an approx. size of 700×250mm</li> <li>Target moving direction: Crossing the detection beam.</li> </ul> |

CAD data CAD data can be downloaded from the ((PaPIRs)) PaPIRs WEB site.

## ■ Block diagram output circuit

### 1) Digital output



### 2) Analog output



## ■ Wiring diagram

### 1) Digital output



Vdd: Input power source (DC), GND: GND, Out: Output (Comparator)

Note) The output signal for the digital output type is from inside FET drain, therefore pull-down resistors are necessary. Please select an output resistor (pull-down concept) in accordance with Vout so that the output current is lower than or equal to 100μA. Use 50KΩ or more as a guide line. If the output current is more than 100μA, this may cause false alarms.

### 2) Analog output



## ■ Timer circuit example

### 1) Digital output



### 2) Analog output



Note) This is the reference circuit which drives the PIR motion sensor. Install a noise filter for applications requiring enhanced detection reliability and noise withstanding capability. Differences in the specifications of electronic components to which the units are connected sometimes affect their correct operation; please check the units' performance and reliability for each application. Panasonic Corporation, Ltd. accepts no responsibility for damages resulting from the use of this circuit.

## ■ Mounting direction

1) As shown in the diagram on the right, please install the sensor so that the expected trespassing direction corresponds to the X or Y direction. In some cases, moving towards or away from the sensor (parallel movement to the Z direction) may not be detected as expected sensitivity or distance.

2) \*1 Please note that the horizontal and vertical field of view depends on the position of the metal tab on which the lens is mounted.



### Basic principles

PaPIRs are pyroelectric infrared sensors that detect variations in infrared rays. However, detection may not be successful in the following cases: lack of movement or no temperature change in the heat source. They could also detect the presence of heat sources other than a human body. Efficiency and reliability of the system may vary depending on the actual operating conditions:

- 1) Detecting heat sources other than the human body, such as:
  - a) small animals entering the detection area
  - b) When a heat source, for example sun light, incandescent lamp, car headlights etc, or strong light beam hit the sensor regardless whether the detection area is inside or outside.
  - c) Sudden temperature change inside or around the detection area caused by hot or cold wind from HVAC, or vapor from a humidifier, etc.
- 2) Difficulty in sensing the heat source
  - a) Glass, acrylic or similar materials standing between the target and the sensor may not allow a correct transmission of infrared rays.
  - b) Non-movement or quick movements of the heat source inside the detection area. (Please refer to the table on page 8 or 11 for details about movement speed.)
- 3) Expansion of the detection area
 

In case of a considerable difference in the ambient temperature and the human body temperature, the detection area may be larger than the configured detection area.
- 4) Malfunction / Detection error
 

On rare occasions, an erroneous detection signal may be output due to the nature of pyroelectric element. When the application cannot tolerate erroneous detection signals, take countermeasures by introducing a pulse-count circuit, etc.
- 5) Detection distance
 

Panasonic's PIR Motion sensors state the detection distance in the specifications because they are usually provided with the lens (please refer to item 6) for lensless types. The PIR Motion sensor could detect variations in infrared rays however such variations are decided by following three factors.

  - The temperature difference between the target and the surroundings:  
The larger the temperature difference, the easier it is to detect targets.
  - Movement speed: If the target is moving at a slower or faster speed than specified in the tables, the detection ability may be lower.
  - Target size: The human body is the standard. If the target is smaller or larger than specified in the table, the detection ability may be lower.

The detection distance explained in our data sheet is defined by the three factors mentioned above. Panasonic's standard for the temperature difference between the target and the surrounding is defined as 4°C. The larger the temperature difference, the longer the detection distance. If the temperature difference is 8°C, which is twice as much as standard, the detection distance will be approx. 1.4 times longer than the distance at 4°C. For example, if targets at a distance of 5m can be detected at 4°C, then the sensor can detect targets at a distance of 7m at 8°C. (This is based on the theory that the detection sensitivity will vary inversely with the square of the distance.)
- 6) Lensless type
 

The lensless type cannot detect any targets because it is not possible to focus infrared variations into the sensor chip. It is not possible to determine the detection distance and the field of view without a lens. Please provide your own lens based on your lens design concept.
- 7) Lens material and the plate setting in front of the lens
 

Typically, the only material that can be passed by infrared rays is Polyethylene. (The lens material of Panasonic's PIR Motion sensors is "High density polyethylene, HDPE".) When you need to set a plate in front of the lens, please choose one made from the Polyethylene. Please note the thickness or color of the plate will affect the detection ability, e.g. it may make the detection distance shorter. Therefore, please confirm by testing the sensor with the plate under realistic conditions.

### Cautions

- 1) Refer to the newest specification regarding optimal operating environment conditions.
- 2) Do not solder with a soldering iron above 350°C (662° F) or for more than 3 seconds. This sensor should be hand-soldered.
- 3) To maintain stability of the product, always mount it on a printed circuit board.
- 4) Do not use liquids to wash the sensor. If washing fluid gets into the lens, it can reduce the performance.
- 5) Do not use a sensor after it falls on the ground.
- 6) The sensor may be damaged by ±200 volts of static electricity. Avoid direct hand contact with the pins and be very careful when operating the product.
- 7) When wiring the product, always use shielded cables and minimize the wiring length to prevent noise disturbances.
- 8) The inner circuit board can be destroyed by a voltage surge. The use of surge absorption elements is highly recommended. Surge resistance: below the power supply voltage value indicated in the section on maximum rated values.
- 9) Please use a stabilized power supply. Noise from the power supply can cause operating errors. Noise resistance: max. ±20V [square waves with a width of 50ns or 1μs] To reduce the effect of noise from the power supply, install a capacitor on the sensor's power supply pin.
- 10) Operation errors can be caused by noise from static electricity, lightnings, cell phones, amateur radio, broadcasting offices, etc
- 11) The detection performance can be reduced by dirt on the lens, please be careful.
- 12) The lens is made of soft materials (Polyethylene). Please avoid adding weight or impacts that may change its shape, causing operation errors or reduced performance.
- 13) The specified temperature and humidity levels are suggested to prolong usage. However, they do not guarantee durability or environmental resistance. Generally, high temperatures or high humidity levels will accelerate the deterioration of electrical components. Please consider both the planned usage and environment to determine the expected reliability and length of life of the product.
- 14) Do not attempt to clean this product with detergents or solvents such as benzene or alcohol, as these can cause shape or color alterations.
- 15) Avoid storage in high, low temperature or liquid environments. Also, avoid storage in environments containing corrosive gas, dust, salty air etc. Adverse conditions may cause performance deterioration and the sensor's main part or the metallic connectors could be damaged.
- 16) Storage conditions  
Temperature: +5 to +40°C Humidity: 30 to 75%  
Please use within 1 year after delivery.

### Safety precautions

Obey the following precautions to prevent injury or accidents.

- 1) Do not use these sensors under any circumstance in which the range of their ratings, environment conditions or other specifications are exceeded. Using the sensors in any way which causes their specifications to be exceeded may generate abnormally high levels of heat, emit smoke, etc., resulting in damage to the circuitry and possibly causing an accident.
  - 2) Our company is committed to making products of the highest quality and reliability. Nevertheless, all electrical components are subject to natural deterioration, and durability of a product will depend on the operating environment and conditions of use. Continued use after such deterioration could lead to overheating, smoke or fire. Always use the product in conjunction with proper fire-prevention, safety and maintenance measures to avoid accidents, reduction in product life expectancy or break-down.
  - 3) Before connecting, check the pin layout by referring to the connector wiring diagram, specifications diagram, etc., to verify that the connector is connected properly. Mistakes made in connection may cause unforeseen problems in operation, generate abnormally high levels of heat, emit smoke, etc., resulting in damage to the circuitry.
  - 4) Do not use any motion sensor which has been disassembled or remodeled.
  - 5) Failure modes of sensors include short-circuiting, open-circuiting and temperature rises. If this sensor is to be used in equipment where safety is a prime consideration, examine the possible effects of these failures on the equipment concerned, and ensure safety by providing protection circuits or protection devices.
- Example : Safety equipment and devices Traffic signals Burglar and disaster prevention devices Controlling and safety device for trains and motor vehicles

# Global Sales Network

Please access following URL for global network.

<https://www3.panasonic.biz/ac/e/salesnetwork/index.jsp>

## East Asia

|                    |  |
|--------------------|--|
| <b>China :</b>     | Panasonic Industrial Device Sales (China) Co., Ltd.      |
| <b>Hong Kong :</b> | Panasonic Industrial Devices Sales (Hong Kong) Co., Ltd. |
| <b>Taiwan :</b>    | Panasonic Eco Solutions Sales Taiwan Co., Ltd.           |
| <b>Korea :</b>     | Panasonic Industrial Devices Sales Korea Co., Ltd.       |
| <b>Japan :</b>     | Panasonic Industrial Devices Sales Japan Co., Ltd.       |

## The Americas

|  |   |
|--|---|
| <b>United States</b><br>(Headquarters in NJ) : | Panasonic Industrial Devices Sales Company of America |
| <b>Canada :</b>                                | Panasonic Canada Inc                                  |
| <b>Brazil :</b>                                | Panasonic Do Brasil Limitada                          |

## Asia-Pacific

|  |   |
|--|---|
| <b>Singapore /<br/>Indonesia / Vietnam :</b> | Panasonic Asia Pacific Pte. Ltd.<br><br>Panasonic Industrial Devices Automation Controls Sales Asia Pacific |
| <b>India :</b>                               | Panasonic India Pvt.Ltd. Industrial Division (INDD)   |
| <b>Thailand :</b>                            | Panasonic Eco Solutions Sales (Thailand) Co., Ltd.  |
| <b>Malaysia :</b>                            | Panasonic Industrial Devices Sales (M) Sdn. Bhd.  |
| <b>Phillipines :</b>                         | Panasonic Phillipines (Sales Division of PMPC)  |
| <b>Turkey :</b>                              | Panasonic Elektronik Satis A.S., PTR.   |

## Europe

|   |  |
|---|--|
| <b>Germany</b><br>(European Headquarters) : | Panasonic Electric Works Europe AG                 |
| <b>Hungary :</b>                            | Hungarian Representative Office                    |
| <b>Nordic :</b>                             | Panasonic Electric Works Europe AG Filial Nordic   |
| <b>Austria:</b>                             | Panasonic Electric Works Austria GmbH              |
| <b>Benelux /<br/>France :</b>               | Panasonic Electric Works Sales Western Europe B.V. |
| <b>Czech Republic :</b>                     | Panasonic Electric Works Czech s.r.o.              |
| <b>Great Britain :</b>                      | Panasonic Electric Works UK Limited                |
| <b>Italy :</b>                              | Panasonic Electric Works Italia s.r.l.             |
| <b>Poland :</b>                             | Panasonic Electric Works Polska sp. z o.o.         |
| <b>Spain :</b>                              | Panasonic Electric Works Espana S.A.               |
| <b>Switzerland :</b>                        | Panasonic Electric Works Schweiz AG                |

---

## Panasonic Corporation

### Eco Solutions Company

System Components Business Unit

- Address: 1048, Kadoma, Kadoma-shi  
Osaka 571-8686, Japan
- Telephone: +81-6-6900-2778  
(Sensors & Devices Promotion Department)
- Web: <http://www3.panasonic.biz/ac/e/control/sensor/human/>  
(PIR Motion Sensor PaPIRs)

**Panasonic**<sup>®</sup>

All Rights Reserved © 2016 COPYRIGHT Panasonic Corporation  
Specifications are subject to change without notice.



# Mouser Electronics

Authorized Distributor

Click to View Pricing, Inventory, Delivery & Lifecycle Information:

## Panasonic:

[EKMB1101111](#) [EKMB1101112](#) [EKMB1101113](#) [EKMB1201111](#) [EKMB1201112](#) [EKMB1201113](#) [EKMB1301111](#)  
[EKMB1301112](#) [EKMB1301113](#) [EKMB1103111](#) [EKMB1103112](#) [EKMB1103113](#) [EKMB1203111](#) [EKMB1203112](#)  
[EKMB1203113](#) [EKMB1303111](#) [EKMB1303112](#) [EKMB1303113](#) [EKMB1301113K](#) [EKMB1303111K](#) [EKMB1303112K](#)  
[EKMB1301112K](#) [EKMB1301111K](#) [EKMB1303113K](#) [EKMB1300100K](#) [EKMB1304113K](#) [EKMB1304112K](#)  
[EKMB1304111K](#) [EKMB1204111](#) [EKMB1204112](#) [EKMB1104112](#) [EKMB1104113](#) [EKMB1104111](#) [EKMB1204113](#)  
[EKMB1205112](#) [EKMB1205113](#) [EKMB1105112](#) [EKMB1205111](#) [EKMB1305112K](#) [EKMB1305113K](#) [EKMB1105113](#)  
[EKMB1105111](#) [EKMB1305111K](#) [EKMC1605111](#) [EKMC1605113](#) [EKMC1605112](#) [EKMB1106111](#) [EKMC4606111K](#)  
[EKMB1106112](#) [EKMB1206111](#) [EKMC2606111K](#) [EKMC7601112K](#) [EKMC7693111K](#) [EKMC7693113K](#)  
[EKMC4600100K](#) [EKMC4604111K](#) [EKMC4691112K](#) [EKMC7603111K](#) [EKMC4601113K](#) [EKMC7601111K](#)  
[EKMC2605112K](#) [EKMC4603113K](#) [EKMC7603112K](#) [EKMC2601111K](#) [EKMC2604112K](#) [EKMC2693112K](#)  
[EKMC4604112K](#) [EKMB1291112](#) [EKMC4603112K](#) [EKMC4693111K](#) [EKMC7603113K](#) [EKMC2604113K](#)  
[EKMC7601113K](#) [EKMC7605113K](#) [EKMC7691112K](#) [EKMC2600100K](#) [EKMC2693111K](#) [EKMC2693113K](#)  
[EKMB1291113](#) [EKMC2601112K](#) [EKMC4691113K](#) [EKMC4693112K](#) [EKMC7604111K](#) [EKMC7604113K](#)  
[EKMC1691112](#) [EKMC2691112K](#) [EKMC4605111K](#) [EKMC4605113K](#) [EKMC4691111K](#) [EKMB1291111](#)  
[EKMC1691113](#) [EKMC2605111K](#) [EKMC7605112K](#) [EKMC7691111K](#) [EKMC2606112K](#) [EKMC7606111K](#)  
[EKMB1206112](#) [EKMC7606112K](#) [EKMC7606113K](#) [EKMB1391111K](#)



Компания «ЭлектроПласт» предлагает заключение долгосрочных отношений при поставках импортных электронных компонентов на взаимовыгодных условиях!

Наши преимущества:

- Оперативные поставки широкого спектра электронных компонентов отечественного и импортного производства напрямую от производителей и с крупнейших мировых складов;
- Поставка более 17-ти миллионов наименований электронных компонентов;
- Поставка сложных, дефицитных, либо снятых с производства позиций;
- Оперативные сроки поставки под заказ (от 5 рабочих дней);
- Экспресс доставка в любую точку России;
- Техническая поддержка проекта, помощь в подборе аналогов, поставка прототипов;
- Система менеджмента качества сертифицирована по Международному стандарту ISO 9001;
- Лицензия ФСБ на осуществление работ с использованием сведений, составляющих государственную тайну;
- Поставка специализированных компонентов (Xilinx, Altera, Analog Devices, Intersil, Interpoint, Microsemi, Aeroflex, Peregrine, Syfer, Eurofarad, Texas Instrument, Miteq, Cobham, E2V, MA-COM, Hittite, Mini-Circuits, General Dynamics и др.);

Помимо этого, одним из направлений компании «ЭлектроПласт» является направление «Источники питания». Мы предлагаем Вам помощь Конструкторского отдела:

- Подбор оптимального решения, техническое обоснование при выборе компонента;
- Подбор аналогов;
- Консультации по применению компонента;
- Поставка образцов и прототипов;
- Техническая поддержка проекта;
- Защита от снятия компонента с производства.



#### Как с нами связаться

**Телефон:** 8 (812) 309 58 32 (многоканальный)

**Факс:** 8 (812) 320-02-42

**Электронная почта:** [org@eplast1.ru](mailto:org@eplast1.ru)

**Адрес:** 198099, г. Санкт-Петербург, ул. Калинина, дом 2, корпус 4, литера А.