

Product brief

iMOTION™ IMM100

Fully integrated Smart IPM for BLDC motor control

iMOTION™ IMM100 is a series of fully integrated Smart IPMs implementing sensorless Field Oriented Control (FOC) of a Permanent Magnet Synchronous Motor (PMSM). The combination of the iMOTION™ Motion Control Engine (“T”- variants) with the gate driver and six MOSFETs offers a complete motor drive system in a compact 12 x 12 mm² surface mount package, minimizing external components count and PCB area.

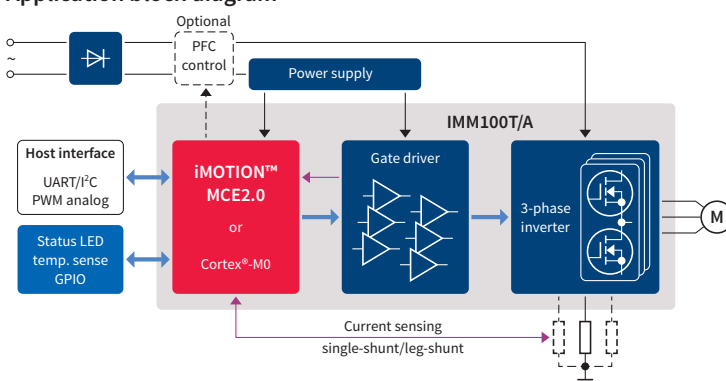
Infineon’s field-proven Motion Control Engine (MCE) implements sensorless Field Oriented Control (FOC) with single or leg-shunt current feedback and uses space vector PWM with sinusoidal signals to achieve the highest energy efficiency. Additionally, IMM100 can take over the boost Power Factor Correction (PFC) control. Powerful PC tools like MCEWizard and MCEDesigner reduce the implementation effort for a variable speed drive to a simple configuration of the MCE for the respective motor, complemented by script engine for more system-level flexibility. Alternatively, “A”- variants of IMM100 offer full flexibility of running own motor control software on ARM® Cortex®-M0 core, while taking additional advantage of the complete hardware integration.

The integrated gate driver provides the bootstrap capability, adds signal filtering and offers several hardware protection mechanisms, e.g. dead-time insertion and shoot-through prevention, overcurrent, over-/undervoltage protection and fault reporting.

The IMM100 series does not require a heatsink and addresses motor drives with a rated output power up to 30 W/60 W/80 W with 600 V maximum DC blocking voltage.

- > IMM10xT/A-015M – output rating: 500 V/6 Ω R_{DS(on)}
- > IMM10xT/A-046M – output rating: 600 V/1.4 Ω R_{DS(on)}
- > IMM10xT/A-056M – output rating: 600 V/0.95 Ω R_{DS(on)}

Application block diagram



www.infineon.com/iMOTION

Key benefits

- > Lowest BOM cost
 - Controller, gate driver plus MOSFET power stage
 - Single shunt current feedback
 - Integrated bootstrap diodes
 - No heatsink required
- > iMOTION™ Motion Control Engine available in “T”- variants
 - No programming required
 - Sensorless Field Oriented Control
 - Low loss space vector PWM
 - Multiple motor support
 - Flexible host interface options
 - Optional boost PFC control
- > Industry-standard ARM® Cortex®-M0 available in “A”- variants
 - 128 kB flash, 16 kB RAM
 - 48 MHz CPU/96 MHz peripheral clock
 - Dedicated motor control blocks
- > Integrated protection features
 - Over-/undervoltage
 - Over-current, over-temperature
 - Dead time, shoot through
 - Rotor lock protection
- > PowerQFN 12 x 12 mm² package

Target applications

- > Fans, pumps
- > Home appliances
- > Ceiling fans
- > ... any other BLDC drive



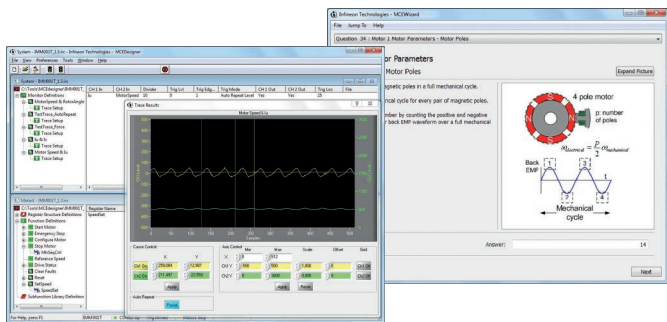
iMOTION™ tools

MCEWizard helps to create the initial motor configuration by guiding the developer through several self-explanatory questions.

MCEDesigner is used to load the motor parameter sets and fine-tune them to best meet the application requirements.

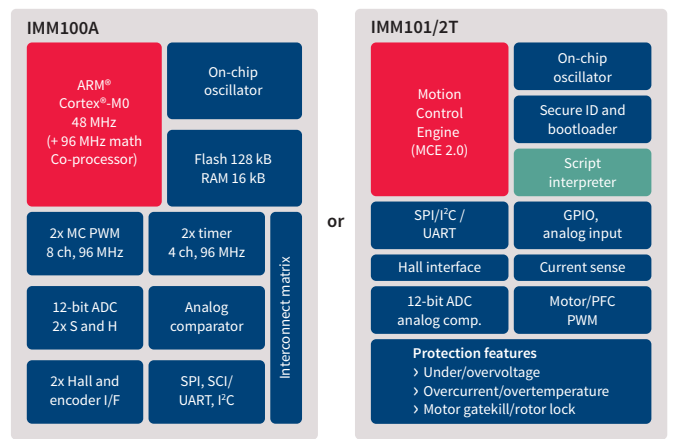
iMOTION™ script enables adding system-level features to “T”-variant devices

MCEWizard
Generates drive control parameters from motor and hardware specifications



MCEDesigner
Drive tuning software tool with trace features to adjust and observe internal variables

IMM100 series overview



Integrated gate driver

- > Bootstrap functionality
- > Undervoltage lockout
- > Fault reporting
- > Integrated minimum deadtime
- > Shoot-through prevention

3-phase gate driver

Integrated power stage MOSFETS

- > 500 V/6 Ω
- > 600 V/1.4 Ω
- > 600 V/0.95 Ω

Ordering information

Product	MOSFET power stage	MCE 2.0/ARM® Cortex®	Features	Package
IMM101T-015M	500 V/6 Ω R _{DS(on)}	MCE 2.0	3-phase inverter	PowerQFN 12 x 12 mm ²
IMM101T-046M	600 V/1.4 Ω R _{DS(on)}	MCE 2.0	3-phase inverter	PowerQFN 12 x 12 mm ²
IMM101T-056M	600 V/0.95 Ω R _{DS(on)}	MCE 2.0	3-phase inverter	PowerQFN 12 x 12 mm ²
IMM102T-015M	500 V/6 Ω R _{DS(on)}	MCE 2.0	3-phase inverter + PFC	PowerQFN 12 x 12 mm ²
IMM102T-046M	600 V/1.4 Ω R _{DS(on)}	MCE 2.0	3-phase inverter + PFC	PowerQFN 12 x 12 mm ²
IMM102T-056M	600 V/0.95 Ω R _{DS(on)}	MCE 2.0	3-phase inverter + PFC	PowerQFN 12 x 12 mm ²
IMM100A-015M	500 V/6 Ω R _{DS(on)}	ARM® Cortex®-M0	Programmable device	PowerQFN 12 x 12 mm ²
IMM100A-046M	600 V/1.4 Ω R _{DS(on)}	ARM® Cortex®-M0	Programmable device	PowerQFN 12 x 12 mm ²
IMM100A-056M	600 V/0.95 Ω R _{DS(on)}	ARM® Cortex®-M0	Programmable device	PowerQFN 12 x 12 mm ²

Published by
Infineon Technologies AG
81726 Munich, Germany

© 2019 Infineon Technologies AG.
All Rights Reserved.

Please note!

THIS DOCUMENT IS FOR INFORMATION PURPOSES ONLY AND ANY INFORMATION GIVEN HEREIN SHALL IN NO EVENT BE REGARDED AS A WARRANTY, GUARANTEE OR DESCRIPTION OF ANY FUNCTIONALITY, CONDITIONS AND/OR QUALITY OF OUR PRODUCTS OR ANY SUITABILITY FOR A PARTICULAR PURPOSE. WITH REGARD TO THE TECHNICAL SPECIFICATIONS OF OUR PRODUCTS, WE KINDLY ASK YOU TO REFER TO THE RELEVANT PRODUCT DATA SHEETS PROVIDED BY US. OUR CUSTOMERS AND THEIR TECHNICAL DEPARTMENTS ARE REQUIRED TO EVALUATE THE SUITABILITY OF OUR PRODUCTS FOR THE INTENDED APPLICATION.

WE RESERVE THE RIGHT TO CHANGE THIS DOCUMENT AND/OR THE INFORMATION GIVEN HEREIN AT ANY TIME.

Additional information

For further information on technologies, our products, the application of our products, delivery terms and conditions and/or prices, please contact your nearest Infineon Technologies office (www.infineon.com).

Warnings

Due to technical requirements, our products may contain dangerous substances. For information on the types in question, please contact your nearest Infineon Technologies office.

Except as otherwise explicitly approved by us in a written document signed by authorized representatives of Infineon Technologies, our products may not be used in any life-endangering applications, including but not limited to medical, nuclear, military, life-critical or any other applications where a failure of the product or any consequences of the use thereof can result in personal injury.



Компания «ЭлектроПласт» предлагает заключение долгосрочных отношений при поставках импортных электронных компонентов на взаимовыгодных условиях!

Наши преимущества:

- Оперативные поставки широкого спектра электронных компонентов отечественного и импортного производства напрямую от производителей и с крупнейших мировых складов;
- Поставка более 17-ти миллионов наименований электронных компонентов;
- Поставка сложных, дефицитных, либо снятых с производства позиций;
- Оперативные сроки поставки под заказ (от 5 рабочих дней);
- Экспресс доставка в любую точку России;
- Техническая поддержка проекта, помощь в подборе аналогов, поставка прототипов;
- Система менеджмента качества сертифицирована по Международному стандарту ISO 9001;
- Лицензия ФСБ на осуществление работ с использованием сведений, составляющих государственную тайну;
- Поставка специализированных компонентов (Xilinx, Altera, Analog Devices, Intersil, Interpoint, Microsemi, Aeroflex, Peregrine, Syfer, Eurofarad, Texas Instrument, Miteq, Cobham, E2V, MA-COM, Hittite, Mini-Circuits, General Dynamics и др.);

Помимо этого, одним из направлений компании «ЭлектроПласт» является направление «Источники питания». Мы предлагаем Вам помощь Конструкторского отдела:

- Подбор оптимального решения, техническое обоснование при выборе компонента;
- Подбор аналогов;
- Консультации по применению компонента;
- Поставка образцов и прототипов;
- Техническая поддержка проекта;
- Защита от снятия компонента с производства.



Как с нами связаться

Телефон: 8 (812) 309 58 32 (многоканальный)

Факс: 8 (812) 320-02-42

Электронная почта: org@eplast1.ru

Адрес: 198099, г. Санкт-Петербург, ул. Калинина, дом 2, корпус 4, литера А.