

THIS DRAWING IS A CONTROLLED DOCUMENT FOR SOURIAU USA, INC. IT IS SUBJECT TO CHANGE WITHOUT NOTIFICATION. CONTACT THE DOCUMENT CONTROL CENTER FOR THE LATEST REVISION.
 THE INFORMATION CONTAINED IN THIS DRAWING IS CONFIDENTIAL AND MAY NOT BE DISCLOSED WITHOUT WRITTEN CONSENT FROM SOURIAU USA, INC.

DWG. NO. **JBXFC2C**

4

ELECTRICAL:

EMI SHIELDING : SHIELDED FOR THE RANGE 55dB UP TO 100MHZ

INSULATION RESISTANCE : >500MΩ PER ANSI-EIA-364-D METHOD 21

MAX. CURRENT RATING : SEE INSULATOR DRAWING

CONNECTOR TESTING VOLTAGE : SEE INSULATOR DRAWING

CONNECTOR WORKING VOLTAGE : SEE INSULATOR DRAWING

PHYSICAL:

MAXIMUM WIRE SIZE USED : SEE INSULATOR DRAWING

CABLE DIAMETER WITH PLASTIC COLLET SET SUPPLIED: Ø3.5mm MIN. TO Ø9.7mm MAX.

ENVIRONMENTAL:

ENDURANCE: 1000 CYCLES AS PER MIL-STD 1344A, METHOD 2016.1

SHOCK: 50 g , DURATION 6 ms; AS PER MIL-STD 1344A, METHOD 2004.1

VIBRATIONS: 10 TO 2000Hz g = 15g, AS PER MIL-STD 1344A, METHOD 2005.1

PROTECTION INDEX: IP 40 AS PER CEI 529

ROHS COMPLIANT

SALT MIST : 48Hr PER SAE AS 1344 METHOD 1001.1 CEI 529

OPERATING TEMPERATURE:

WITH PLASTIC COLLETS: -55°C TO +125°C (-67°F TO +257°F)

WITH OPTIONAL METALLIC COLLETS: -55°C TO +200°C (-67°F TO +392°F) (ONLY ON REQUEST)

MASS (g)	VOLUME (mm ³)
31.9	5161

NOTES:

1 RED DOT.

MATERIAL:

OUTER SHELL & BACK NUT : } BRASS
 LATCHING SLEEVE & SPACER : }
 RETAINING NUT & BACKSHELL : }

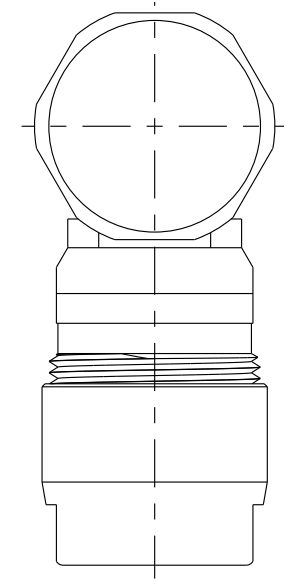
COLLET : POLYAMIDE

FINISH:

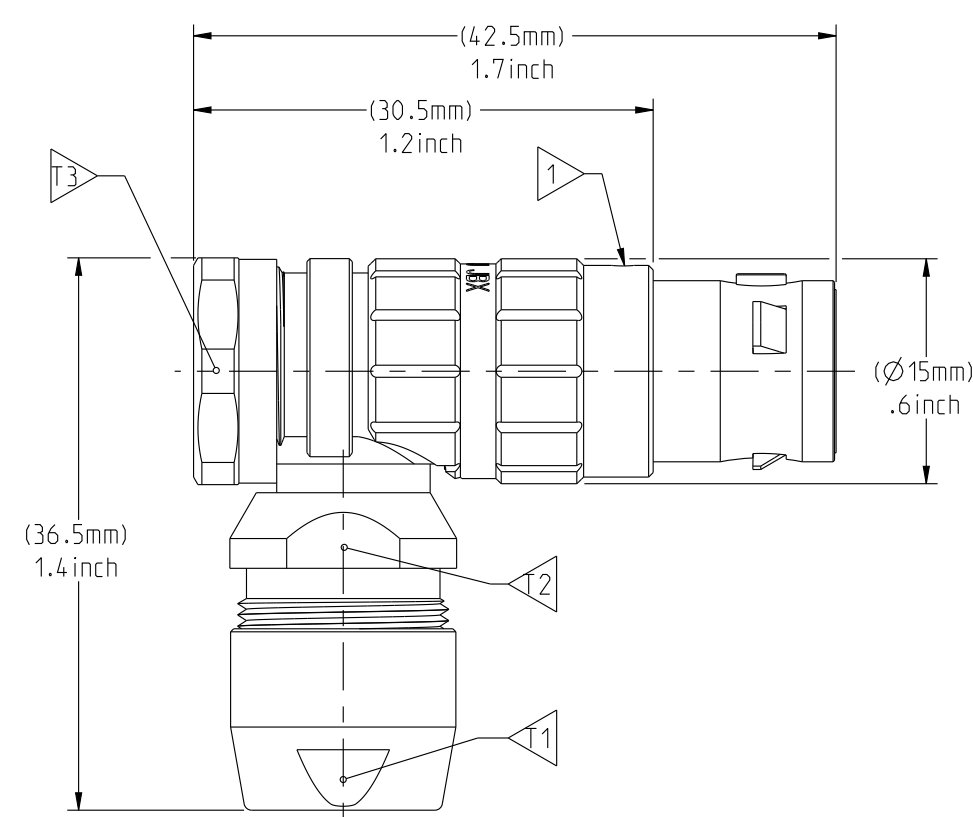
OUTER SHELL & BACKSHELL : CHROME
 BACK NUT & RETAINING NUT:

OTHER BRASS PARTS : NICKEL

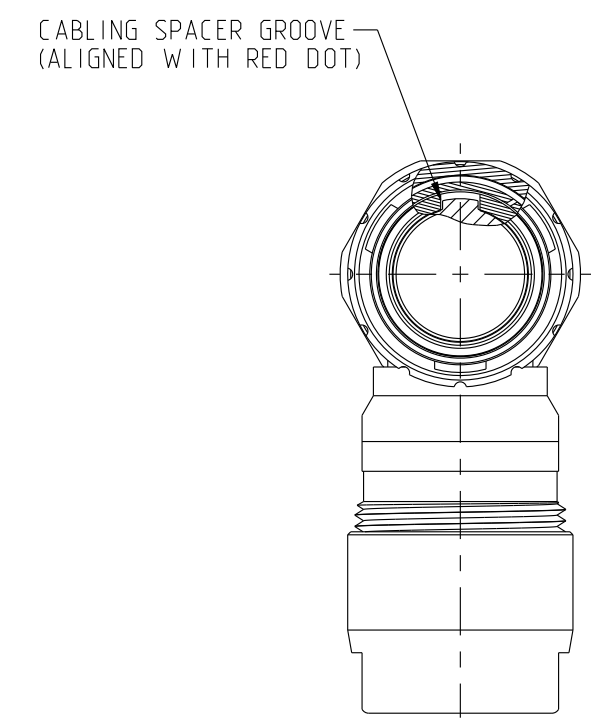
T TOOLS



WIRE SIDE VIEW

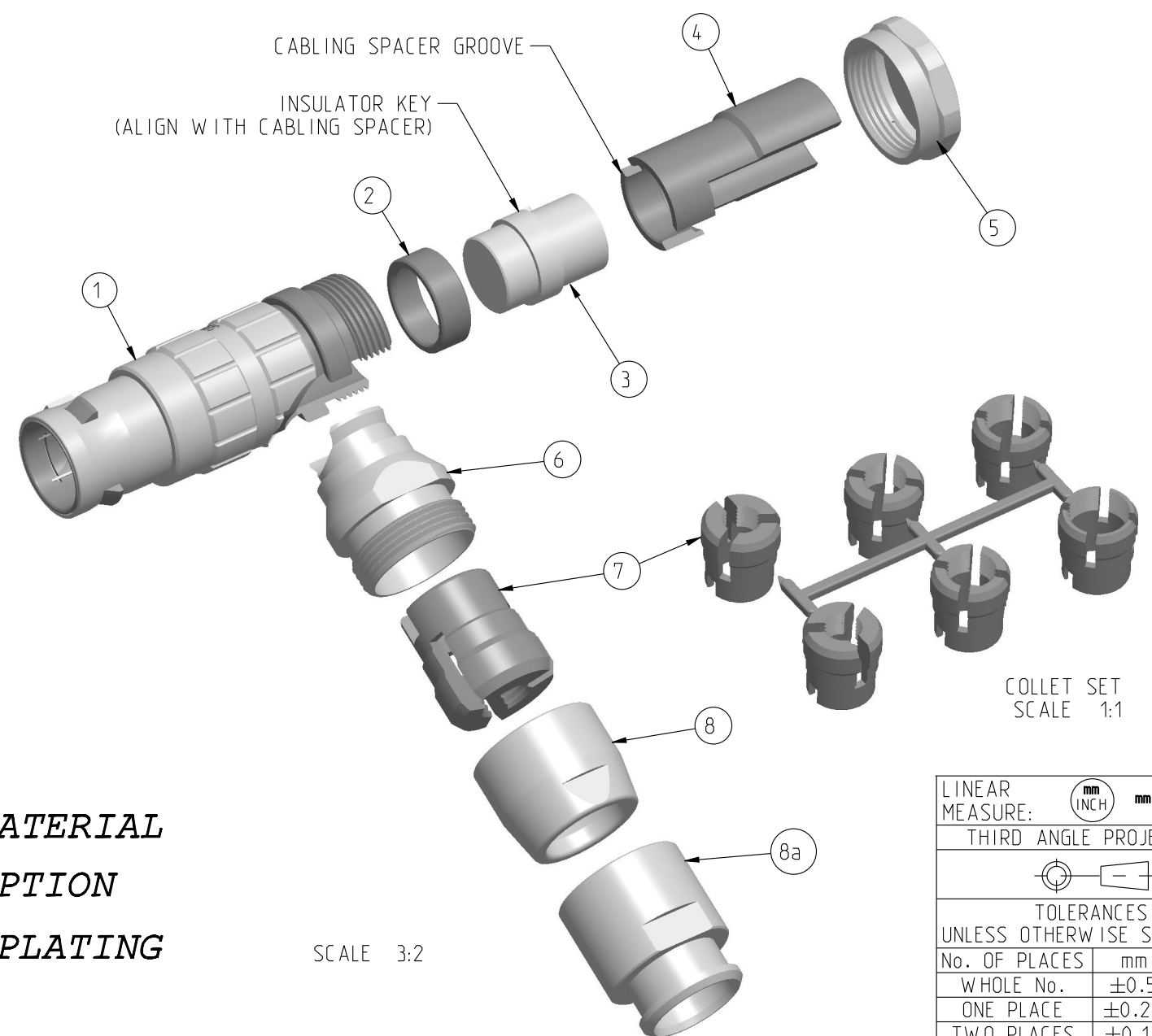


(ASSEMBLED VIEW FOR INFORMATION ONLY)



MATING SIDE VIEW

PART LIST	
ITEM NO.	DESCRIPTION
1	SLEEVE
2	RETAINING RING
3	INSULATOR
4	CABLING SPACER
5	RETAINING NUT
6	ELBOW BACKSHELL
7	Ø3.5-Ø9.7 CABLE COLLET (CHOOSE PER CABLE SIZE)
8	STANDARD BACK NUT
8a	BACK NUT FOR PROTECTIVE BOOT (OPTIONAL)



SCALE 3:2

COLLET SET SCALE 1:1

	TOOLS (JAW DIMENSION)	ADVISED TORQUE IN Nm
T1	13	1.5
T2	13	-
T3	15	0.5 TO 0.7

ORIGIN	COUNTRY	JURISDICTION	CLASSIFICATION
X	FR	Not listed	N/A
	US	EAR	ECCN =EAR99

These commodities, technology or software are exported from the United States in accordance with the Export Administration Regulations. Diversion contrary to U.S. law is prohibited.

A	RELEASED PER ECN 12258	SKV 06-10-15	EV 06-10-15
REV	DESCRIPTION	BY DATE	CHKD DATE

CATALOG NUMBER DESCRIPTION

JBX FC 2 XXXXXX D S X

BASIC SERIES _____

SHELL TYPE _____

SHELL SIZE _____

KEYING _____

SEE INSULATOR DRAWING _____

OPTION _____

INSERT MATERIAL _____

COLLET OPTION _____

SURFACE PLATING _____

LINEAR MEASURE:	mm (INCH)
THIRD ANGLE PROJECTION	
TOLERANCES UNLESS OTHERWISE SPECIFIED	
No. OF PLACES	mm [INCH]
W HOLE No.	±0.5 [±.02]
ONE PLACE	±0.2 [±.008]
TWO PLACES	±0.1 [±.004]
ANGLES ±1°	

DRAWING TITLE: **JBX, SIZE 2, RIGHT ANGLE PLUG**

CAT NO. **JBXFC2**

CAGE NO: 09922 SIZE: C

CUSTOMER

SOURIAU

www.souriau.com

APPROVAL

DRAWN: SKV	01-21-15
CHKD: EV	01-21-15
DSGN: EV	01-21-15
MFG: DH	01-21-15
QC: BB	01-21-15

DRAWING SCALE: 2:1

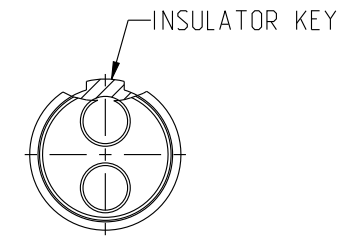
DRAWING NO. **JBXFC2C** REV **A**

1 OF 1

DWG. NO.
JBX2INSFCC

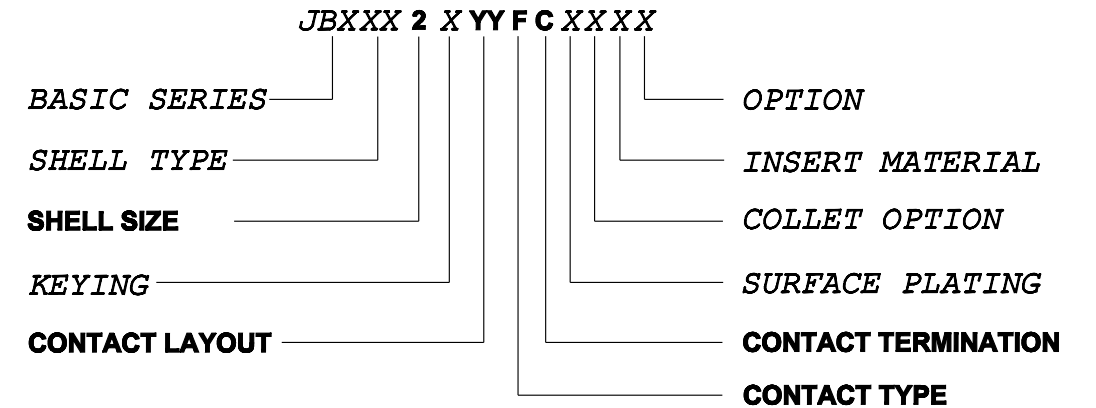
FEMALE INSULATOR, CRIMP CONTACT

CONTACT LAYOUT	02	03	04	05
FRONT SIDE VIEW				
REAR SIDE VIEW				
CONTACT				
ISO VIEW				
CONTACT	ØC	2	1.6	1.3
	ØF	2.4	1.9	1.4
	MAX. AWG	12	14	18
	MAX. CURRENT RATING (A)	30	17	15
INSULATOR	CONTACT RESISTANCE (mΩ)	2.5	2.5	3
	NUMBER OF CAVITY	2	3	4
	MAX. CURRENT RATING	30	17	15
	TEST VOLTAGE (Vrms)	2100	1700	2400
	WORKING VOLTAGE (Vdc/Vrms)	1000/700	830/560	1000/700
				900/630



CONTACT TYPE : F (FEMALE)
CONTACT TERMINATION : C (CRIMP)
MATERIAL :
 CONTACT: CUPRO-NICKEL
 CLIP: COPPER ALLOY
 INSULATOR: PEEK
FINISH :
 CONTACTS : GOLD

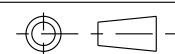
CATALOG NUMBER DESCRIPTION



THIS DRAWING IS A CONTROLLED DOCUMENT FOR SOURIAU USA, INC. IT IS SUBJECT TO CHANGE WITHOUT NOTIFICATION. CONTACT THE DOCUMENT CONTROL CENTER FOR THE LATEST REVISION.

THE INFORMATION CONTAINED IN THIS DRAWING IS CONFIDENTIAL AND MAY NOT BE DISCLOSED WITHOUT WRITTEN CONSENT FROM SOURIAU USA, INC.

LINEAR MEASURE: $\frac{mm}{INCH}$ mm (INCH)
 THIRD ANGLE PROJECTION



TOLERANCES UNLESS OTHERWISE SPECIFIED
 No. OF PLACES mm [INCH]
 ONE PLACE ±3 [±.1]
 TWO PLACES ±0.5 [±.02]
 THREE PLACES ±0.25 [±.010]
 ANGLES ±1°

ORIGIN	COUNTRY	JURISDICTION	CLASSIFICATION
X	FR	Not listed	N/A
	US	EAR	ECCN =EAR99

These commodities, technology or software are exported from the United States in accordance with the Export Administration Regulations. Diversion contrary to U.S. law is prohibited.

REV	DESCRIPTION	BY DATE	CHKD DATE
B	REVISED PER ECN 12286	RSK 06-10-15	EV 06-10-15
A	RELEASED PER ECN 12264	TJS 03-10-15	EV 03-10-15

DRAWING TITLE
JBX, SIZE 2, FEMALE INSULATOR, CRIMP CONTACT

CAT NO. **JBX2INSFC**

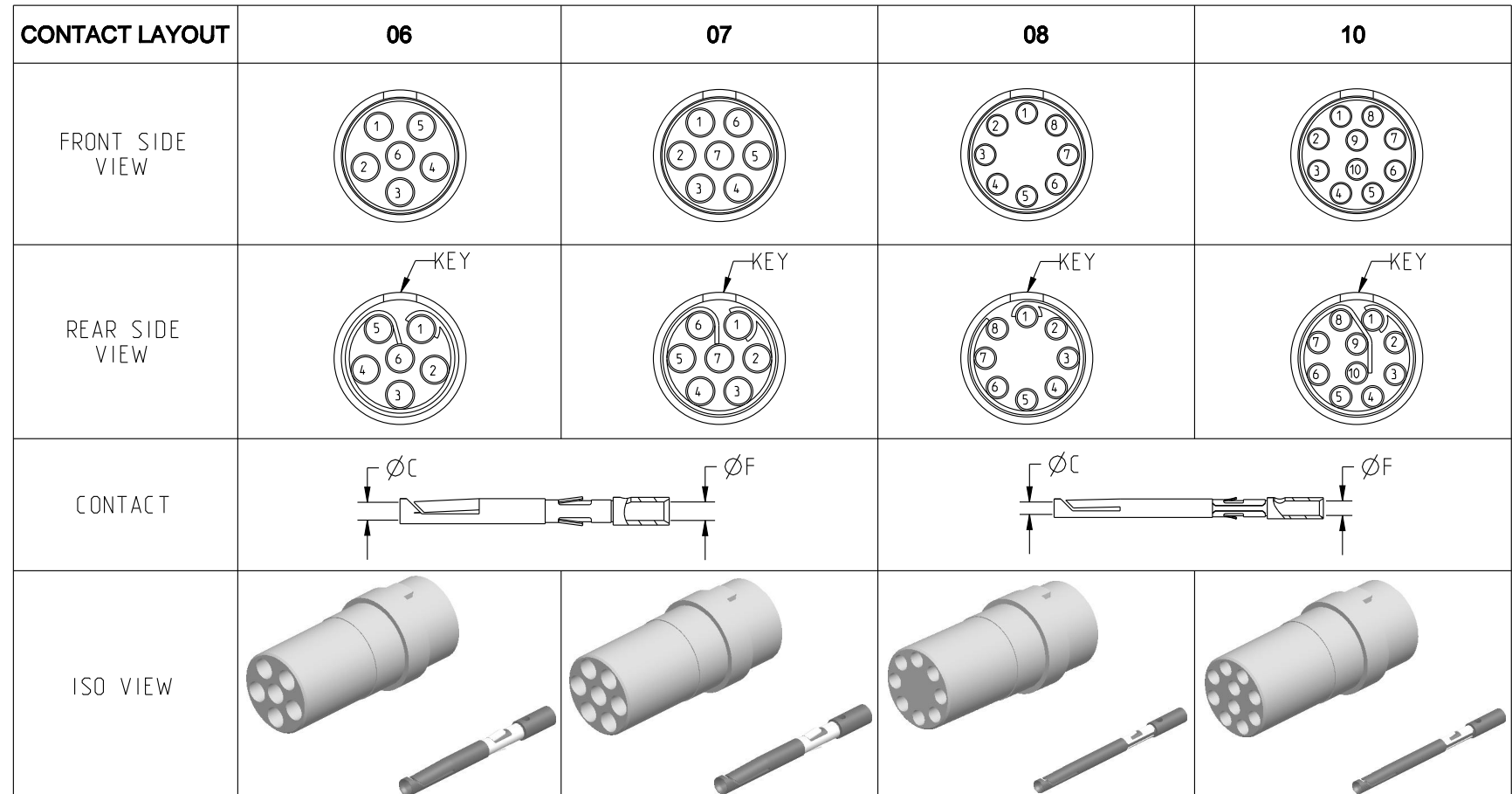
CAGE NO: 09922 SIZE: B

CUSTOMER	SOURIAU	APPROVAL	DRAWN: TJS	02-04-15
			CHKD : EV	02-04-15
INTERPRET THIS DRAWING IN ACCORDANCE WITH ASME Y14.5M - 1994.	WWW.SOURIAU.COM		DSGN : EV	02-04-15
			MFG : DH	02-04-15
			QC : BB	02-04-15
			DRAWING SCALE: NA	
			DRAWING NO.	REV
			JBX2INSFCC	B
			1 OF 3	

B

A

DWG. NO.
JBX2INSFCC



CONTACT	ØC	1.3	1.3	0.9	0.9
	ØF	1.4	1.4	1.1	1.1
	MAX. AWG	18	18	20	20
	MAX. CURRENT RATING (A)	15	15	10	10
INSULATOR	CONTACT RESISTANCE (mΩ)	3	3	3.5	3.5
	NUMBER OF CAVITY	6	7	8	10
	MAX. CURRENT RATING	12	11	10	8
	TEST VOLTAGE (Vrms)	1900	1500	1700	1700
WORKING VOLTAGE (Vdc/Vrms)	900/630	730/500	830/560	830/560	

THIS DRAWING IS A CONTROLLED DOCUMENT FOR SOURIAU USA, INC. IT IS SUBJECT TO CHANGE WITHOUT NOTIFICATION. CONTACT THE DOCUMENT CONTROL CENTER FOR THE LATEST REVISION.

THE INFORMATION CONTAINED IN THIS DRAWING IS CONFIDENTIAL AND MAY NOT BE DISCLOSED WITHOUT WRITTEN CONSENT FROM SOURIAU USA, INC.

B

A

DRAWING TITLE
JBX, SIZE 2, FEMALE INSULATOR, CRIMP CONTACT

CAT NO. **JBX2INSFC**

CAGE NO: 09922 SIZE: B

CUSTOMER	SOURIAU	APPROVAL	DRAWN: TJS	02-04-15
			CHKD : EV	02-04-15
			DSGN : EV	02-04-15
			MFG : DH	02-04-15
			QC : BB	02-04-15
WWW.SOURIAU.COM		DRAWING SCALE: NA		
		DRAWING NO.	REV	
		JBX2INSFCC	B	
		2 OF 3		

LINEAR MEASURE: $\frac{mm}{INCH}$ mm (INCH)

THIRD ANGLE PROJECTION

TOLERANCES UNLESS OTHERWISE SPECIFIED

No. OF PLACES	mm [INCH]
ONE PLACE	±3 [±.1]
TWO PLACES	±0.5 [±.02]
THREE PLACES	±0.25 [±.010]

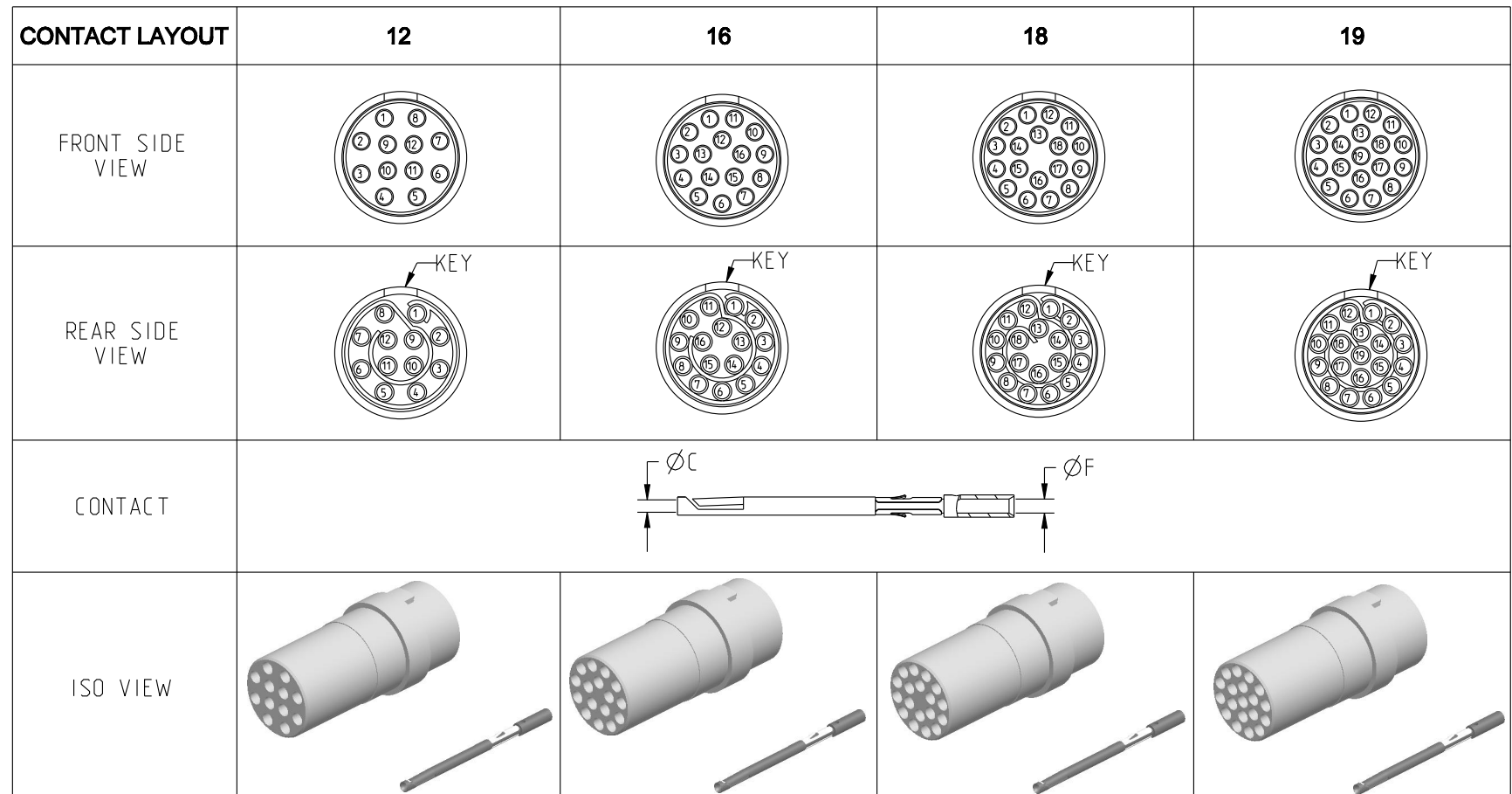
ANGLES ±1°

ORIGIN	COUNTRY	JURISDICTION	CLASSIFICATION
X	FR	Not listed	N/A
	US	EAR	ECCN =EAR99

These commodities, technology or software are exported from the United States in accordance with the Export Administration Regulations. Diversion contrary to U.S. law is prohibited

INTERPRET THIS DRAWING IN ACCORDANCE WITH ASME Y14.5M - 1994.

DWG. NO.
JBX2INSFCC



CONTACT	ØC	0.7	0.7	0.7	0.7
	ØF	0.85	0.85	0.85	0.85
MAX. AWG	22	22	22	22	
MAX. CURRENT RATING (A)	7	7	7	7	
CONTACT RESISTANCE (mΩ)	5	5	5	5	
INSULATOR	NUMBER OF CAVITY	12	16	18	19
	MAX. CURRENT RATING	7	6	5.5	5
	TEST VOLTAGE (Vrms)	1700	1500	1400	1400
	WORKING VOLTAGE (Vdc/Vrms)	830/560	730/500	660/460	660/460

THIS DRAWING IS A CONTROLLED DOCUMENT FOR SOURIAU USA, INC. IT IS SUBJECT TO CHANGE WITHOUT NOTIFICATION. CONTACT THE DOCUMENT CONTROL CENTER FOR THE LATEST REVISION.

THE INFORMATION CONTAINED IN THIS DRAWING IS CONFIDENTIAL AND MAY NOT BE DISCLOSED WITHOUT WRITTEN CONSENT FROM SOURIAU USA, INC.

B

A

DRAWING TITLE
JBX, SIZE 2, FEMALE INSULATOR, CRIMP CONTACT

CAT NO. **JBX2INSFC**

CAGE NO: 09922 SIZE: B

CUSTOMER	SOURIAU	APPROVAL	DRAWN: TJS	02-04-15
			CHKD : EV	02-04-15
			DSGN : EV	02-04-15
			MFG : DH	02-04-15
			QC : BB	02-04-15
WWW.SOURIAU.COM		DRAWING SCALE: NA		
		DRAWING NO.	REV	
		JBX2INSFCC		B
		3 OF 3		

LINEAR MEASURE: $\frac{mm}{INCH}$ mm (INCH)
THIRD ANGLE PROJECTION

TOLERANCES UNLESS OTHERWISE SPECIFIED
No. OF PLACES mm [INCH]
ONE PLACE ±3 [±.1]
TWO PLACES ±0.5 [±.02]
THREE PLACES ±0.25 [±.010]
ANGLES ±1°

ORIGIN	COUNTRY	JURISDICTION	CLASSIFICATION
X	FR	Not listed	N/A
	US	EAR	ECCN =EAR99

These commodities, technology or software are exported from the United States in accordance with the Export Administration Regulations. Diversion contrary to U.S. law is prohibited.

INTERPRET THIS DRAWING IN ACCORDANCE WITH ASME Y14.5M - 1994.

Mouser Electronics

Authorized Distributor

Click to View Pricing, Inventory, Delivery & Lifecycle Information:

Souriau:

[JBXFC2G16FCSDSMR](#) [JBXFC2G19FCSDSR](#)



Компания «ЭлектроПласт» предлагает заключение долгосрочных отношений при поставках импортных электронных компонентов на взаимовыгодных условиях!

Наши преимущества:

- Оперативные поставки широкого спектра электронных компонентов отечественного и импортного производства напрямую от производителей и с крупнейших мировых складов;
- Поставка более 17-ти миллионов наименований электронных компонентов;
- Поставка сложных, дефицитных, либо снятых с производства позиций;
- Оперативные сроки поставки под заказ (от 5 рабочих дней);
- Экспресс доставка в любую точку России;
- Техническая поддержка проекта, помощь в подборе аналогов, поставка прототипов;
- Система менеджмента качества сертифицирована по Международному стандарту ISO 9001;
- Лицензия ФСБ на осуществление работ с использованием сведений, составляющих государственную тайну;
- Поставка специализированных компонентов (Xilinx, Altera, Analog Devices, Intersil, Interpoint, Microsemi, Aeroflex, Peregrine, Syfer, Eurofarad, Texas Instrument, Miteq, Cobham, E2V, MA-COM, Hittite, Mini-Circuits, General Dynamics и др.);

Помимо этого, одним из направлений компании «ЭлектроПласт» является направление «Источники питания». Мы предлагаем Вам помощь Конструкторского отдела:

- Подбор оптимального решения, техническое обоснование при выборе компонента;
- Подбор аналогов;
- Консультации по применению компонента;
- Поставка образцов и прототипов;
- Техническая поддержка проекта;
- Защита от снятия компонента с производства.



Как с нами связаться

Телефон: 8 (812) 309 58 32 (многоканальный)

Факс: 8 (812) 320-02-42

Электронная почта: org@eplast1.ru

Адрес: 198099, г. Санкт-Петербург, ул. Калинина, дом 2, корпус 4, литера А.