

THIS DRAWING IS UNPUBLISHED.

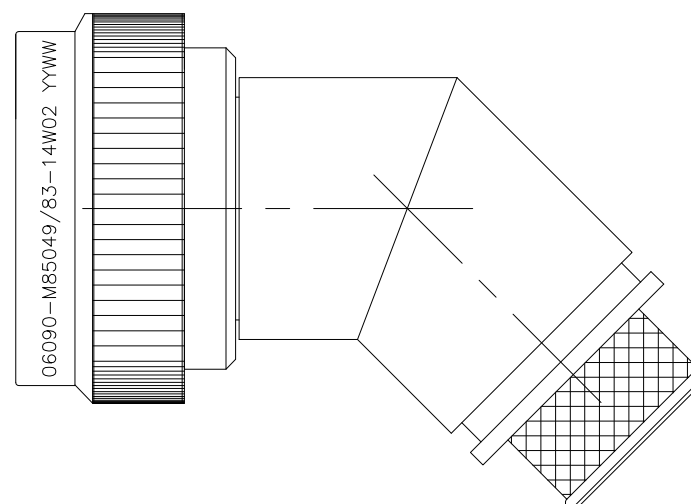
RELEASED FOR PUBLICATION

REVISIONS

© COPYRIGHT - TE Connectivity

ALL RIGHTS RESERVED.

| P | LTR | DESCRIPTION | DATE | DWN | APVD |
|---|-----|-----------------------|---------|-----|------|
| | C | REV PER ECO 17-004918 | 5-31-17 | CT | EH |



SELF-LOCKING
SHIELD BAND TERMINATION
SHRINK BOOT ACCOMMODATION 45° ADAPTER

1. THIS PRODUCT IS DESIGNED TO TERMINATE A BRAIDED CABLE SHIELD AND A HEAT SHRINKABLE LIPPED BOOT TO A CONNECTOR, AND DESIGNED TO MEET PERFORMANCE REQUIREMENT OF AS85049/83.
2. ALL COMPONENTS SHALL BE PACKAGED AND SUPPLIED IN A PLASTIC BAG AND LABELED WITH M85049/83 DESIGNATION e.g. M85049/83-14W02.
3. PART SUPPLIED WITH STANDARD DETENTED SELF-LOCKING WHICH PROVIDES A POSITIVE AUDIBLE DETENTED COUPLING.
4. THIS ADAPTER MATES TO CONNECTOR SAE-AS50151 CRIMP, MIL-DTL-26482 SERIES 2, SAE-AS81703 SERIES 3, AND MIL-DTL-83723 SERIES III.
5. FOR MATERIAL AND FINISH INFORMATION REFER TO R85049.
FOR ALTERNATIVE MATERIALS AND PLATING FINISHES CONTACT TE CONNECTIVITY.

| | | | | | | |
|--|--|--------------------------------|---|--------------------|---------------------------|--------------------|
| THIS DRAWING IS A CONTROLLED DOCUMENT. | | DWN C.C.THOMAS 31MAY2017 | | | | |
| DIMENSIONS: INCHES | | CHK E.HALEY 5-31-17 | | | | |
| TOLERANCES UNLESS OTHERWISE SPECIFIED: | | APVD E.HALEY 5-31-17 | NAME BACKSHELL,45°,SELF LOCKING,SHIELD BAND TERMINATION,SHRINK BOOT ACCOMMODATION | | | |
| | | PRODUCT SPEC - | APPLICATION SPEC - | | | |
| MATERIAL - | | FINISH - | SIZE A3 | CAGE CODE 00779 | DRAWING NO C=R85049/83 | RESTRICTED TO - |
| CUSTOMER DRAWING | | | SCALE NTS | SHEET 1 OF 3 | REV C | |

THIS DRAWING IS UNPUBLISHED.

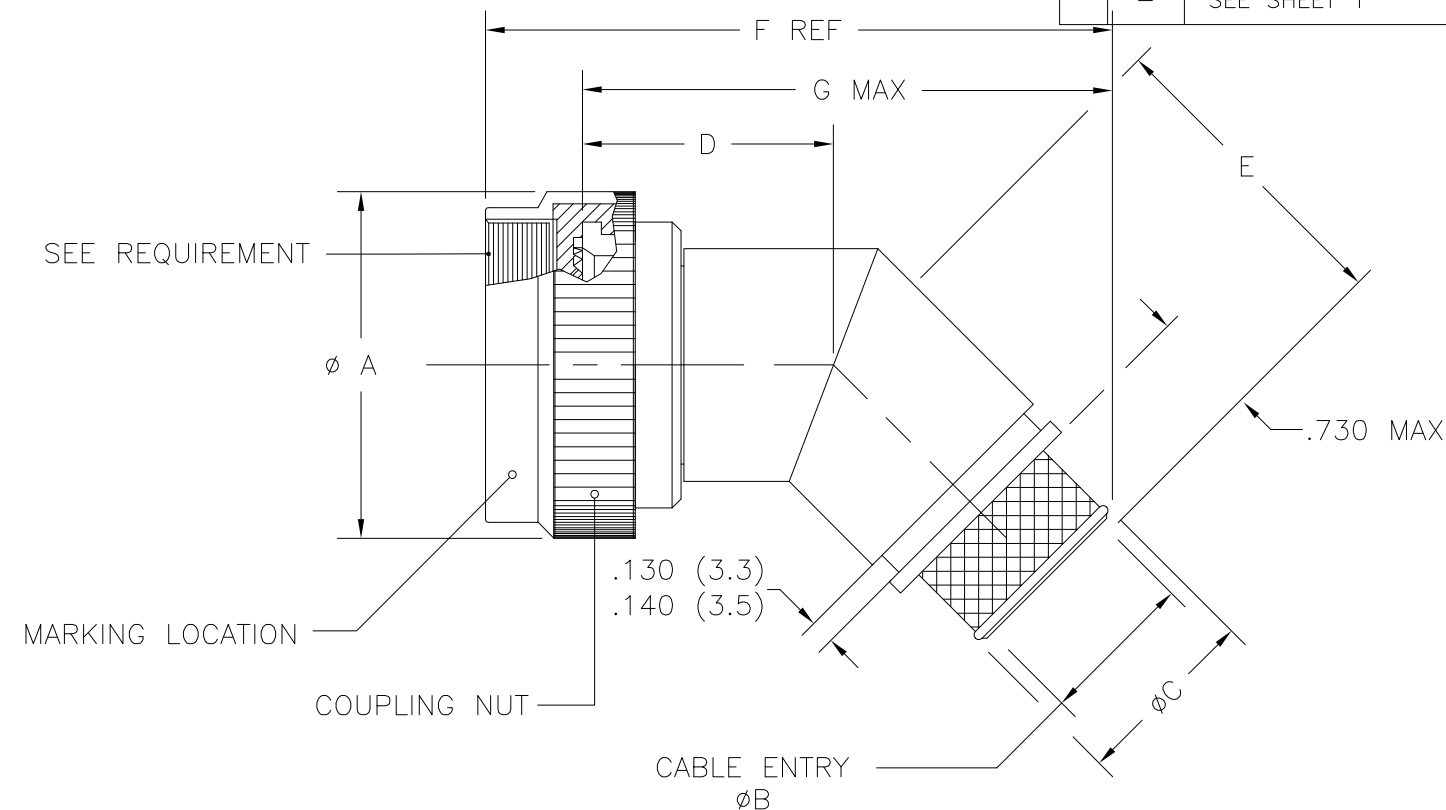
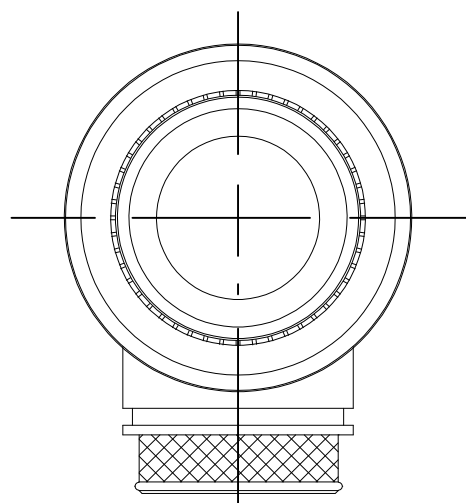
RELEASED FOR PUBLICATION

REVISIONS

© COPYRIGHT - TE Connectivity

ALL RIGHTS RESERVED.

| P | LTR | DESCRIPTION | DATE | DWN | APVD |
|---|-----|-------------|------|-----|------|
| - | - | SEE SHEET 1 | - | - | - |



PART NUMBERING

R85049/83 - 14 W 02


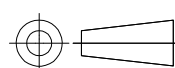
- SPECIFICATION SHEET
- CONFIGURATION:
 - (DASH) DETENTED SELF-LOCKING
- ORDER NO.
- FINISH
- ENTRY SIZE

| | | | | | |
|---|--|--------------------------------|---|-----------|---------------|
| THIS DRAWING IS A CONTROLLED DOCUMENT. | | DWN C.C.THOMAS 31MAY2017 | TE Connectivity | | |
| DIMENSIONS: INCHES | | CHK E.HALEY 5-31-17 | | | |
| | | APVD E.HALEY 5-31-17 | NAME BACKSHELL,45°,SELF LOCKING,SHIELD BAND TERMINATION,SHRINK BOOT ACCOMMODATION | | |
| TOLERANCES UNLESS OTHERWISE SPECIFIED: | | PRODUCT SPEC | APPLICATION SPEC | | |
| 0 PLC ± - 1 PLC ± - 2 PLC ± .01 3 PLC ± .005 4 PLC ± - ANGLES ± 1° | | WEIGHT | SIZE | CAGE CODE | DRAWING NO |
| MATERIAL | | FINISH | A3 | 00779 | ©=R85049/83 |
| | | | CUSTOMER DRAWING | | RESTRICTED TO |
| | | | SCALE | SHEET | REV |
| | | | NTS | 2 OF 3 | C |

THIS DRAWING IS UNPUBLISHED. RELEASED FOR PUBLICATION
 © COPYRIGHT - TE Connectivity ALL RIGHTS RESERVED.

| REVISIONS | | | | | |
|-----------|-----|-------------|------|-----|------|
| P | LTR | DESCRIPTION | DATE | DWN | APVD |
| - | - | SEE SHEET 1 | - | - | - |

| ORDER NUMBER | FOR CONNECTOR SHELL SIZE (REF) | | | | TABLE I - SHELL SIZE AND DIMENSIONS | | | | |
|--------------|--------------------------------|-------------------------------|--------------------------|---------------------------------|-------------------------------------|------------------------|---------------|---------------|---------------|
| | SAE- AS81703 SERIES 3 | MIL-DTL- 26482 SERIES 2 | SAE- AS50151 CRIMP | MIL-DTL- 83723 SERIES III | A MAX DIA | B DIA ±.010 ENTRY SIZE | | C DIA REF | |
| | | | | | | 02 | 03 | 02 | 03 |
| 8 | -- | 8 | 8S | 8 | .885 (22.48) | N/A | .250 (6.35) | N/A | .395 (10.03) |
| 10 | -- | 10 | 10S, 10SL | 10 | 1.010 (25.65) | N/A | .312 (7.92) | N/A | .457 (11.61) |
| 12 | 7 | 12 | 12S AND 12 | 12 | 1.135 (28.83) | .312 (7.92) | .438 (11.13) | .457 (11.60) | .583 (14.81) |
| 14 | 12 | 14 | 14S AND 14 | 14 | 1.260 (32.00) | .438 (11.13) | .562 (14.27) | .583 (14.81) | .707 (17.96) |
| 16 | 19 | 16 | 16S AND 16 | 16 | 1.385 (35.18) | .500 (12.70) | .625 (15.88) | .645 (16.38) | .770 (19.56) |
| 18 | 27 | 18 | 18 | 18 | 1.510 (38.35) | .625 (15.88) | .750 (19.05) | .770 (19.56) | .895 (22.73) |
| 20 | 37 | 20 | 20 | 20 | 1.635 (41.53) | .625 (15.88) | .812 (20.62) | .770 (19.56) | .957 (24.31) |
| 22 | -- | 22 | 22 | 22 | 1.760 (44.70) | .688 (17.48) | .938 (23.83) | .829 (21.06) | 1.083 (27.51) |
| 24 | -- | 24 | 24 | 24 | 1.885 (47.88) | .750 (19.05) | 1.000 (25.40) | .895 (22.73) | 1.145 (29.08) |
| 28 | -- | -- | 28 | -- | 2.135 (54.23) | .875 (22.23) | 1.125 (28.58) | 1.020 (25.91) | 1.270 (32.26) |

| | | | | | | | |
|---|--|--------------------------------|---|-----------------|--------------------|---------------------------|--------------------|
| THIS DRAWING IS A CONTROLLED DOCUMENT. | | DWN C.C.THOMAS 31MAY2017 |  TE Connectivity | | | | |
| DIMENSIONS: INCHES | | CHK E.HALEY 5-31-17 | | | | | |
|  | | APVD E.HALEY 5-31-17 | NAME BACKSHELL,45°,SELF LOCKING,SHIELD BAND TERMINATION,SHRINK BOOT ACCOMMODATION | | | | |
| TOLERANCES UNLESS OTHERWISE SPECIFIED: | | PRODUCT SPEC - | APPLICATION SPEC - | | | | |
| MATERIAL - | | FINISH - | WEIGHT - | SIZE A3 | CAGE CODE 00779 | DRAWING NO C=R85049/83 | RESTRICTED TO - |
| CUSTOMER DRAWING | | | SCALE NTS | SHEET 3 OF 3 | REV C | | |



Компания «ЭлектроПласт» предлагает заключение долгосрочных отношений при поставках импортных электронных компонентов на взаимовыгодных условиях!

Наши преимущества:

- Оперативные поставки широкого спектра электронных компонентов отечественного и импортного производства напрямую от производителей и с крупнейших мировых складов;
- Поставка более 17-ти миллионов наименований электронных компонентов;
- Поставка сложных, дефицитных, либо снятых с производства позиций;
- Оперативные сроки поставки под заказ (от 5 рабочих дней);
- Экспресс доставка в любую точку России;
- Техническая поддержка проекта, помощь в подборе аналогов, поставка прототипов;
- Система менеджмента качества сертифицирована по Международному стандарту ISO 9001;
- Лицензия ФСБ на осуществление работ с использованием сведений, составляющих государственную тайну;
- Поставка специализированных компонентов (Xilinx, Altera, Analog Devices, Intersil, Interpoint, Microsemi, Aeroflex, Peregrine, Syfer, Eurofarad, Texas Instrument, Miteq, Cobham, E2V, MA-COM, Hittite, Mini-Circuits, General Dynamics и др.);

Помимо этого, одним из направлений компании «ЭлектроПласт» является направление «Источники питания». Мы предлагаем Вам помощь Конструкторского отдела:

- Подбор оптимального решения, техническое обоснование при выборе компонента;
- Подбор аналогов;
- Консультации по применению компонента;
- Поставка образцов и прототипов;
- Техническая поддержка проекта;
- Защита от снятия компонента с производства.



Как с нами связаться

Телефон: 8 (812) 309 58 32 (многоканальный)

Факс: 8 (812) 320-02-42

Электронная почта: org@eplast1.ru

Адрес: 198099, г. Санкт-Петербург, ул. Калинина, дом 2, корпус 4, литера А.