

PLEASE CHECK WWW.MOLEX.COM FOR LATEST PART INFORMATION

Part Number: [5033763010](#)
Status: **Active**
Overview: [slimstack_mm016_pitch](#)
Description: 0.40mm (.016") Pitch Board-to-Board SlimStack™ Plug, SMT, Dual Row, Right Angle, with Solder Tabs and Plastic Pegs, 30 Circuits

Documents:

[3D Model](#) [Product Specification PS-54552-024 \(PDF\)](#)
[Drawing \(PDF\)](#) [RoHS Certificate of Compliance \(PDF\)](#)
[Product Specification PS-54552-023 \(PDF\)](#)

General

Product Family	PCB Headers
Series	503376
Application	Board-to-Board
Overview	slimstack_mm016_pitch
Product Name	SlimStack™

Physical

Breakaway	No
Circuits (Loaded)	30
Color - Resin	Black
Durability (mating cycles max)	30
Glow-Wire Compliant	No
Material - Metal	Phosphor Bronze
Material - Plating Mating	Gold
Material - Plating Termination	Gold
Number of Rows	2
Orientation	Right Angle
PCB Locator	Yes
PCB Retention	Yes
Packaging Type	Embossed Tape on Reel
Pitch - Mating Interface (in)	0.016 In
Pitch - Mating Interface (mm)	0.40 mm
Temperature Range - Operating	-40°C to +85°C
Termination Interface: Style	Surface Mount

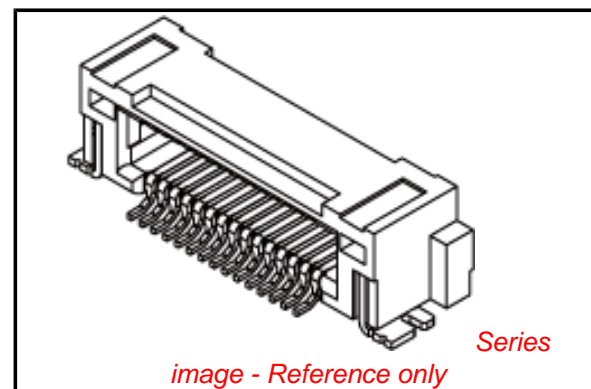
Electrical

Current - Maximum per Contact	0.3A
Voltage - Maximum	30V AC (RMS)/DC

Material Info

Reference - Drawing Numbers

Packaging Specification	SPK-503376-001
Product Specification	PS-54552-023, PS-54552-024, RPS-54552-011
Sales Drawing	SD-503376-001, SD-503376-002



EU RoHS

ELV and RoHS Compliant
REACH SVHC
 Not Reviewed
Halogen-Free Status
 Not Reviewed

China RoHS



Need more information on product environmental compliance?

Email productcompliance@molex.com
 For a multiple part number RoHS Certificate of Compliance, [click here](#)

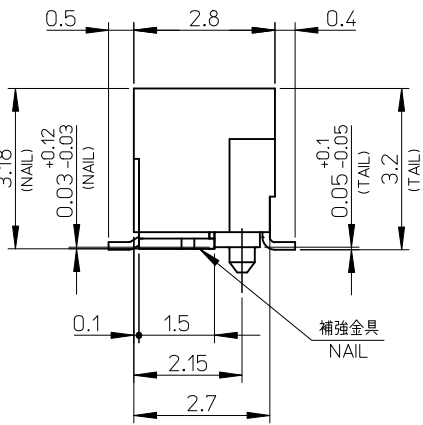
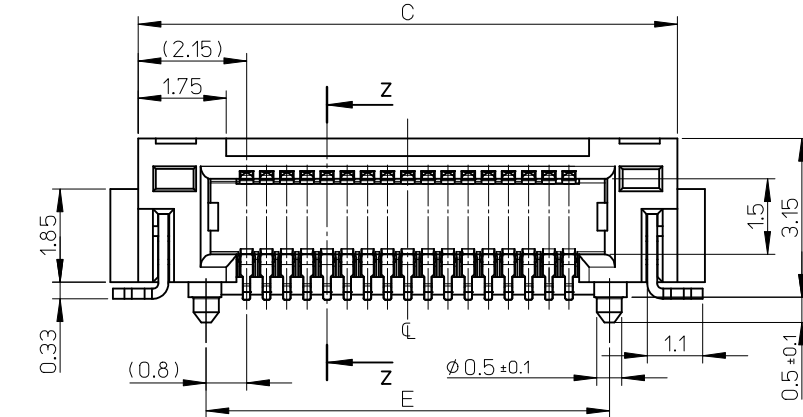
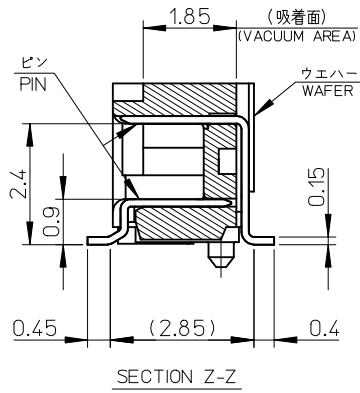
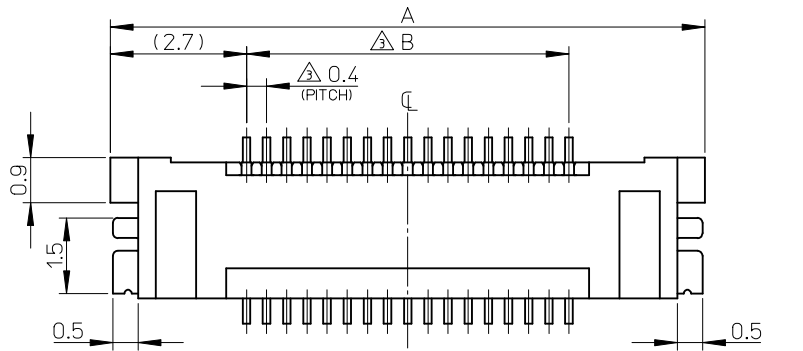
Please visit the [Contact Us](#) section for any non-product compliance questions.

Search Parts in this Series

[503376Series](#)

Mates With

[54552 PCB Receptacle](#)

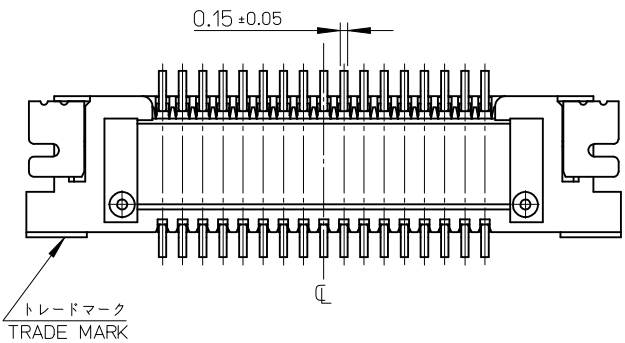


注記 NOTES

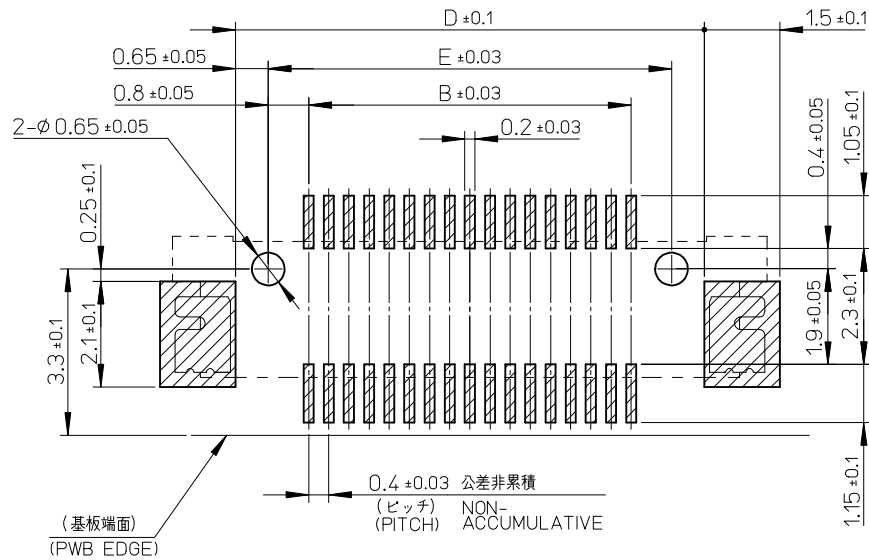
- 使用材料 MATERIAL
 ウェハー: 液晶ポリマー ガラス充填 UL94V-0 黒色
 WAFER: LIQUID CRYSTAL POLYMER, GLASS FILLED, UL94V-0, COLOR BLACK
 ピン: リン青銅
 PIN: PHOSPHOR BRONZE
 補強金具: リン青銅
 FITTING NAIL: PHOSPHOR BRONZE
 - メッキ仕様 PLATING
 ピン PIN
 コントラクト部: 部分金めっき (0.25µm以上)
 テール部: 部分金めっき
 下地: ニッケルめっき (1.5µm以上)
 CONTACT AREA: SEPARATED GOLD PLATING (0.25 MICROMETER MINIMUM)
 SOLDER TAIL AREA: SEPARATED GOLD PLATING
 UNDERPLATE: NICKEL OVERALL (1.5 MICROMETER MINIMUM)
 補強金具 FITTING NAIL
 錫めっき (1.0µm以上)
 下地: ニッケルめっき (1.0µm以上)
 TIN PLATING (1.0 MICROMETER MINIMUM)
 UNDERPLATE: NICKEL OVERALL (1.0 MICROMETER MINIMUM)
- △ テール部に適用。
 APPLY TO THE TAIL AREA.
- 嵌合相手: 54552 シリーズ
 MATE WITH: 54552 SERIES.
 - テール平坦度は、0.08 以下
 テール及び金具の平坦度は、0.1 以下
 TAIL COPLANARITY TO BE 0.08 MAXIMUM
 TAIL AND FITTING NAIL COPLANARITY TO BE 0.1 MAXIMUM
 - ELV及びRoHS適合品
 ELV AND RoHS COMPLIANT

9.2	10.5	11.9	7.6	13.0	503376-4010	40
8.0	9.3	10.7	6.4	11.8	503376-3410	34
7.2	8.5	9.9	5.6	11.0	503376-3010	30
E	D	C	B	A	EMBOSSED PACKAGE オーダー番号 ORDER No.	極数 CIRCUITS

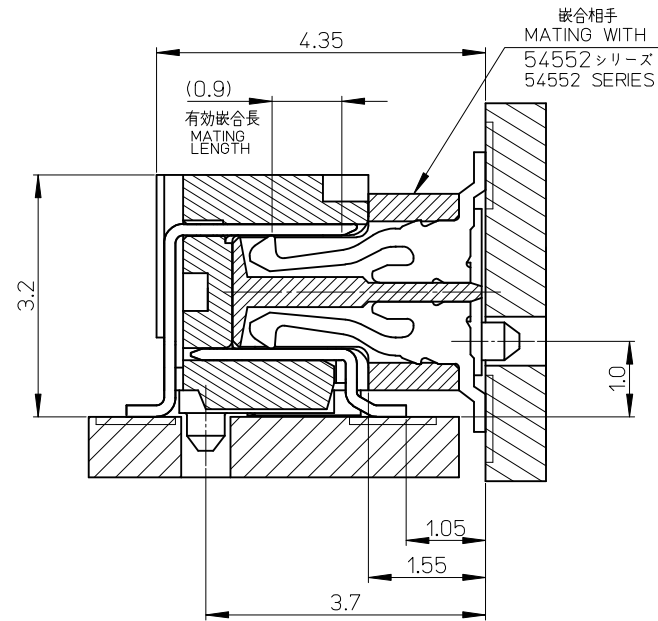
CONNECTOR SERIES No. : 503376-**19



REVISED EC NO: J2010-0351 DRWN: TOSHIMA CHKD: MARUYAMA APPR: MSASAO	DESCRIPTION 2009/09/04 2009/09/04 2009/09/04	GENERAL TOLERANCES (UNLESS SPECIFIED)		DIMENSION STYLE MM ONLY		SCALE 10:1	DESIGN UNITS METRIC	THIRD ANGLE PROJECTION		
		10 UNDER	±0.2	DRAWN BY M. TAKASAKI	DATE 2009/06/03	TITLE 0.4 B-TO-B CONN. RA PLUG NAIL ASSY (WITH BOSS)				
		10 OVER 30 UNDER	±0.25	CHECKED BY M. HAYASHI	DATE 2009/06/03	MOLEX INCORPORATED				
		30 OVER	±0.3	APPROVED BY N. UKITA	DATE 2009/06/03	DOCUMENT NO. SD-503376-001				
A	REV	ANGULAR	±3 °	MATERIAL NO. SEE CHART		SHEET NO. 1 OF 2		THIS DRAWING CONTAINS INFORMATION THAT IS PROPRIETARY TO MOLEX INCORPORATED AND SHOULD NOT BE USED WITHOUT WRITTEN PERMISSION		
		DRAFT WHERE APPLICABLE MUST REMAIN WITHIN DIMENSIONS								



推奨基板レイアウト(マウント面)
 RECOMMENDED P.W.BOARD
 PATTERN DIMENSION. (REFERENCE)
 (MOUNTING AREA)



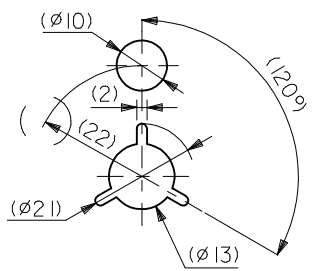
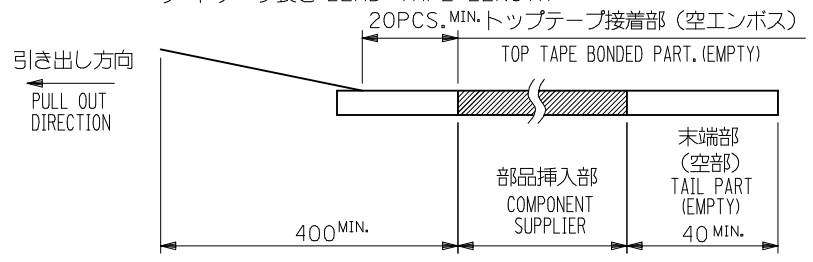
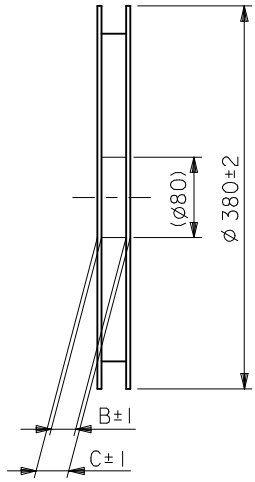
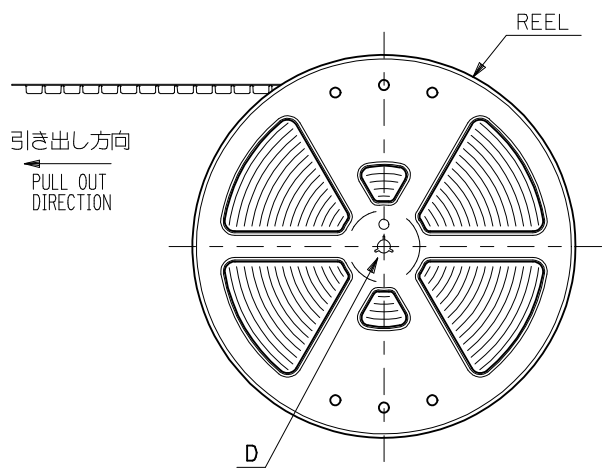
嵌合断面 及び ボス位置 (参考)
 MATED AND BOSS POSITION
 DRAWING(REFERENCE)

CONNECTOR SERIES No. : 503376-**19

REVISED EC NO: J2010-0351 DRWN:TOSHIMA 2009/09/04 CHKD:SMARUYAMA 2009/09/04 APPR:MSASAO 2009/09/04 A	GENERAL TOLERANCES (UNLESS SPECIFIED)		DIMENSION STYLE MM ONLY		SCALE 15:1	DESIGN UNITS METRIC	THIRD ANGLE PROJECTION
	10 UNDER	±0.2	DRAWN BY	DATE	TITLE		
	10 OVER 30 UNDER	±0.25	M. TAKASAKI	2009/06/03	0.4 B-TO-B CONN. RA PLUG NAIL ASSY (WITH BOSS)		
	30 OVER	±0.3	CHECKED BY	DATE	MOLEX INCORPORATED		
	ANGULAR	±3 °	M. HAYASHI	2009/06/03	MATERIAL NO. SEE CHART DOCUMENT NO. SD-503376-001 SHEET NO. 2 OF 2		
DRAFT WHERE APPLICABLE MUST REMAIN WITHIN DIMENSIONS		APPROVED BY	DATE	THIS DRAWING CONTAINS INFORMATION THAT IS PROPRIETARY TO MOLEX INCORPORATED AND SHOULD NOT BE USED WITHOUT WRITTEN PERMISSION			
		N. UKITA	2009/06/03				

NOTES

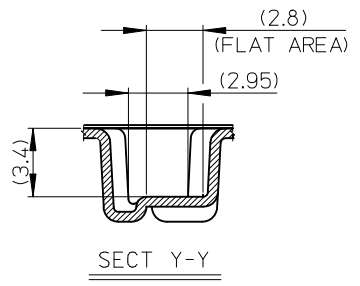
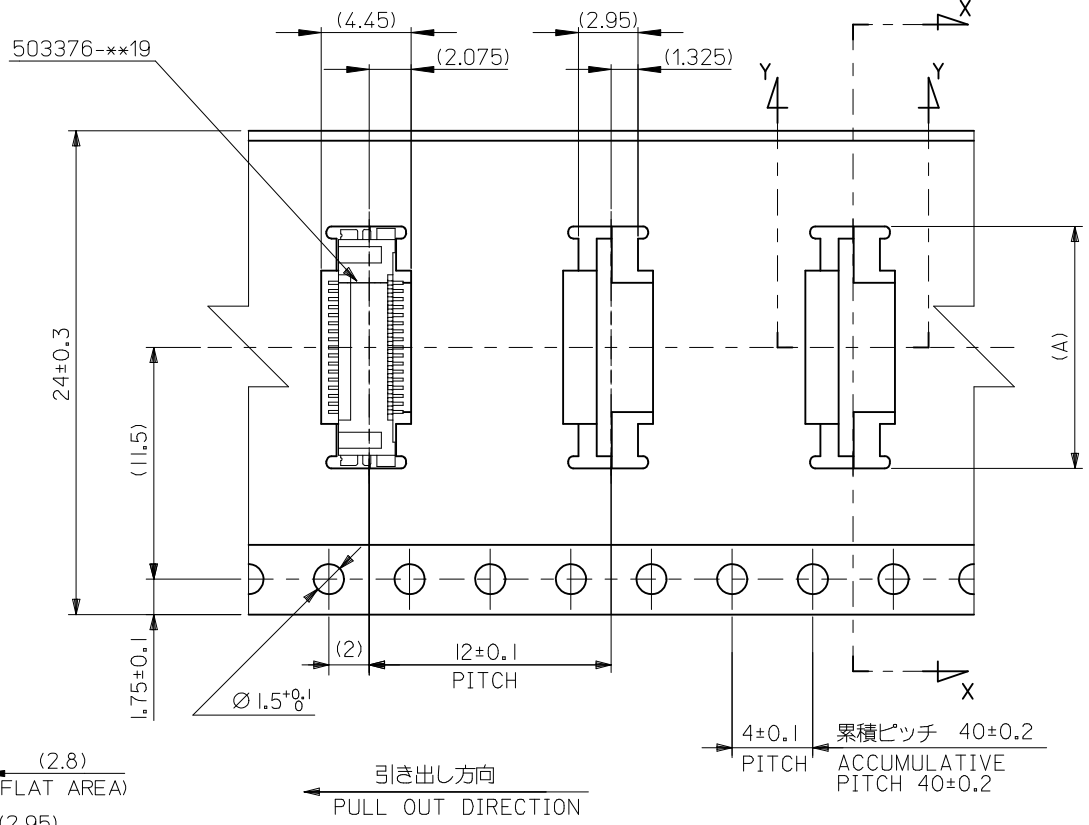
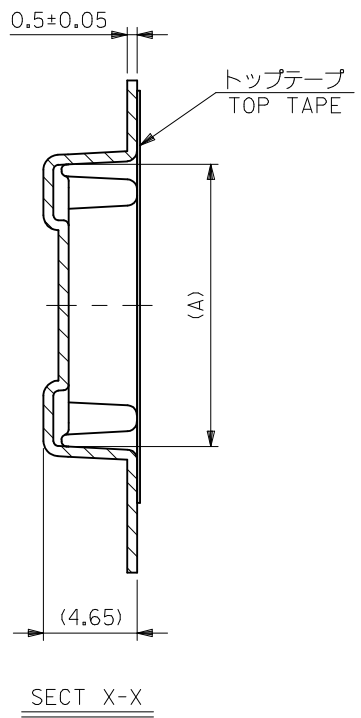
- 製品詳細寸法については SD-503376-001 を参照ください。
RE DETAILED DIMENSION, SEE SD-503376-001
- 梱包数量：1500個/リール
NUMBER OF CONNECTORS : 1500PCS/REEL
- リードテープ長さ LEAD TAPE LENGTH
20PCS. MIN. トップテープ接着部 (空エンボス)
TOP TAPE BONDED PART. (EMPTY)
部品挿入部 COMPONENT SUPPLIER
末端部 (空) TAIL PART (EMPTY)
400 MIN. 40 MIN.
- 材料 (MATERIAL)
キャリアテープ (CARRIER TAPE) : ポリプロピレン (POLYPROPYLENE)
トップテープ (TOPTAPE) : PET, PE, PEF
リール (REEL) : ポリスチレン (PS) (リサイクル材を含む)
POLYSTYRENE (PS) <RECYCLE MATERIAL CONTAINED>
- ELV 及び RoHS 適合品
ELV AND RoHS COMPLIANT.



DETAIL D

503376-4010	40
503376-3410	34
503376-3010	30
MATERIAL NO.	極数 CIRCUITS

REVISED EC NO: J2010-0351 DRWN: TOSHIMA 2009/09/04 CHKD: SMARUYAMA 2009/09/04 APPR: MSASAO 2009/09/04	GENERAL TOLERANCES (UNLESS SPECIFIED)		DIMENSION STYLE MM ONLY		MODEL NO.	503376-***10		
	10 UNDER	± 0.2	DRAWN BY	DATE	SCALE	DESIGN UNITS		
	10 OVER 30 UNDER	± 0.25	M. TAKASAKI	2009/06/03	---	METRIC		
	30 OVER	± 0.3	CHECKED BY	DATE	THIRD ANGLE PROJECTION			
	ANGULAR	$\pm 3^\circ$	M. HAYASHI	2009/06/03	TITLE			
DRAFT WHERE APPLICABLE MUST REMAIN WITHIN DIMENSIONS		APPROVED BY	DATE	EMBSTP PKG FOR 0.4 B/B CONN. RA PLUG NAIL ASSY				
		N. UKITA	2009/06/03	MOLEX INCORPORATED				
		MATERIAL NO.	SEE CHART		DOCUMENT NO.	SD-503376-002		
		SIZE	THIS DRAWING CONTAINS INFORMATION THAT IS PROPRIETARY TO MOLEX INCORPORATED AND SHOULD NOT BE USED WITHOUT WRITTEN PERMISSION					SHEET NO.
		A3						1 OF 2



24mm幅キャリアテープ
24mm WIDTH CARRIER TAPE

24	29.4	25.4	13.2	503376-4010	40
			12.0	503376-3410	34
			11.2	503376-3010	30
キャリアテープ幅 CARRIER TAPE WIDTH	C	B	(A)	MATERIAL NO.	極数 CIRCUITS

REVISED EC NO: J2010-0351 DRWN: TOSHIMA 2009/09/04 CHKD: SMARUYAMA 2009/09/04 APPR: MSASAO 2009/09/04	GENERAL TOLERANCES (UNLESS SPECIFIED)		DIMENSION STYLE MM ONLY		SCALE ---	MODEL NO. 503376-***10
	10 UNDER	±0.2	DRAWN BY M. TAKASAKI	DATE 2009/06/03	TITLE EMBSTP PKG FOR 0.4 B/B CONN. RA PLUG NAIL ASSY	
	10 OVER 30 UNDER	±0.25	CHECKED BY M. HAYASHI	DATE 2009/06/03	MATERIAL NO. SEE CHART	
	30 OVER	±0.3	APPROVED BY N. UKITA	DATE 2009/06/03	DOCUMENT NO. SD-503376-002	
	ANGULAR ±3 °	DRAFT WHERE APPLICABLE MUST REMAIN WITHIN DIMENSIONS		SIZE A3	SHEET NO. 2 OF 2	



Компания «ЭлектроПласт» предлагает заключение долгосрочных отношений при поставках импортных электронных компонентов на взаимовыгодных условиях!

Наши преимущества:

- Оперативные поставки широкого спектра электронных компонентов отечественного и импортного производства напрямую от производителей и с крупнейших мировых складов;
- Поставка более 17-ти миллионов наименований электронных компонентов;
- Поставка сложных, дефицитных, либо снятых с производства позиций;
- Оперативные сроки поставки под заказ (от 5 рабочих дней);
- Экспресс доставка в любую точку России;
- Техническая поддержка проекта, помощь в подборе аналогов, поставка прототипов;
- Система менеджмента качества сертифицирована по Международному стандарту ISO 9001;
- Лицензия ФСБ на осуществление работ с использованием сведений, составляющих государственную тайну;
- Поставка специализированных компонентов (Xilinx, Altera, Analog Devices, Intersil, Interpoint, Microsemi, Aeroflex, Peregrine, Syfer, Eurofarad, Texas Instrument, Miteq, Cobham, E2V, MA-COM, Hittite, Mini-Circuits, General Dynamics и др.);

Помимо этого, одним из направлений компании «ЭлектроПласт» является направление «Источники питания». Мы предлагаем Вам помощь Конструкторского отдела:

- Подбор оптимального решения, техническое обоснование при выборе компонента;
- Подбор аналогов;
- Консультации по применению компонента;
- Поставка образцов и прототипов;
- Техническая поддержка проекта;
- Защита от снятия компонента с производства.



Как с нами связаться

Телефон: 8 (812) 309 58 32 (многоканальный)

Факс: 8 (812) 320-02-42

Электронная почта: org@eplast1.ru

Адрес: 198099, г. Санкт-Петербург, ул. Калинина, дом 2, корпус 4, литера А.