

# NUD3112

## Integrated Relay, Inductive Load Driver

This device is used to switch inductive loads such as relays, solenoids incandescent lamps, and small DC motors without the need of a free-wheeling diode. The device integrates all necessary items such as the MOSFET switch, ESD protection, and Zener clamps. It accepts logic level inputs thus allowing it to be driven by a large variety of devices including logic gates, inverters, and microcontrollers.

### Features

- Provides a Robust Driver Interface Between D.C. Relay Coil and Sensitive Logic Circuits
- Optimized to Switch Relays of 12 V Rail
- Capable of Driving Relay Coils Rated up to 6.0 W at 12 V
- Internal Zener Eliminates the Need of Free-Wheeling Diode
- Internal Zener Clamp Routes Induced Current to Ground for Quieter Systems Operation
- Low  $V_{DS(ON)}$  Reduces System Current Drain
- These are Pb-Free Devices

### Typical Applications

- Telecom: Line Cards, Modems, Answering Machines, FAX
- Computers and Office: Photocopiers, Printers, Desktop Computers
- Consumer: TVs and VCRs, Stereo Receivers, CD Players, Cassette Recorders
- Industrial: Small Appliances, Security Systems, Automated Test Equipment, Garage Door Openers



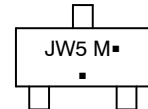
**ON Semiconductor®**

<http://onsemi.com>

### MARKING DIAGRAMS



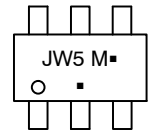
**SOT-23  
CASE 318  
STYLE 21**



JW5 = Specific Device Code  
M = Date Code  
▪ = Pb-Free Package  
(Note: Microdot may be in either location)



**SC-74  
CASE 318F  
STYLE 7**



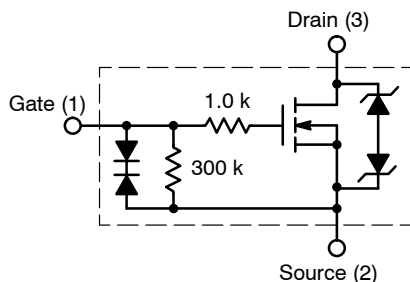
JW5 = Specific Device Code  
M = Date Code  
○ = Pb-Free Package  
(Note: Microdot may be in either location)

### ORDERING INFORMATION

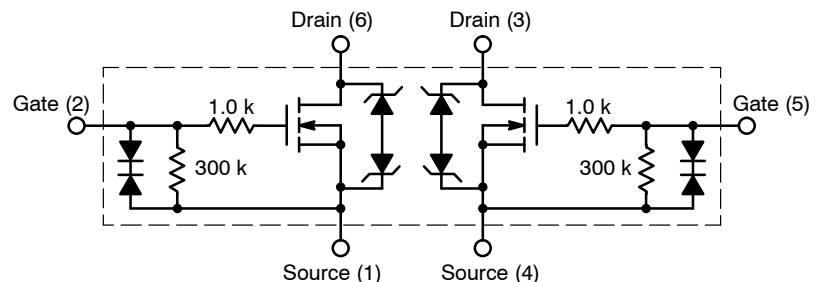
Device	Package	Shipping†
NUD3112LT1G	SOT-23 (Pb-Free)	3000 / Tape & Reel
NUD3112DMT1G	SC-74 (Pb-Free)	3000 / Tape & Reel

†For information on tape and reel specifications, including part orientation and tape sizes, please refer to our Tape and Reel Packaging Specification Brochure, BRD8011/D.

### INTERNAL CIRCUIT DIAGRAMS



CASE 318



CASE 318F

# NUD3112

## MAXIMUM RATINGS ( $T_J = 25^\circ\text{C}$ unless otherwise specified)

Symbol	Rating	Value	Unit	
$V_{DSS}$	Drain to Source Voltage – Continuous	14	$V_{dc}$	
$V_{GS}$	Gate to Source Voltage – Continuous	6	$V_{dc}$	
$I_D$	Drain Current – Continuous	500	mA	
$E_z$	Single Pulse Drain-to-Source Avalanche Energy ( $T_{Jinitial} = 25^\circ\text{C}$ )	50	mJ	
$T_J$	Junction Temperature	150	$^\circ\text{C}$	
$T_A$	Operating Ambient Temperature	-40 to 85	$^\circ\text{C}$	
$T_{stg}$	Storage Temperature Range	-65 to +150	$^\circ\text{C}$	
$P_D$	Total Power Dissipation (Note 1) Derating Above $25^\circ\text{C}$	SOT-23	225	mW
			1.8	$\text{mW}/^\circ\text{C}$
$P_D$	Total Power Dissipation (Note 1) Derating Above $25^\circ\text{C}$	SC-74	380	mW
			3.0	$\text{mW}/^\circ\text{C}$
$R_{\theta JA}$	Thermal Resistance Junction-to-Ambient (Note 1)	SOT-23	556	$^\circ\text{C}/\text{W}$
		SC-74	329	
ESD	Human Body Model (HBM) According to EIA/JESD22/A114	2000	V	

1. Mounted onto minimum pad board.

## TYPICAL ELECTRICAL CHARACTERISTICS ( $T_A = 25^\circ\text{C}$ unless otherwise noted)

Symbol	Characteristic	Min	Typ	Max	Unit
<b>OFF CHARACTERISTICS</b>					
$V_{BRDSS}$	Drain to Source Sustaining Voltage (Internally Clamped) ( $I_D = 10\text{ mA}$ )	14	16	17	V
$B_{VGS0}$	$I_g = 1.0\text{ mA}$	-	-	8	V
$I_{DSS}$	Drain to Source Leakage Current ( $V_{DS} = 12\text{ V}$ , $V_{GS} = 0\text{ V}$ , $T_A = 25^\circ\text{C}$ ) ( $V_{DS} = 12\text{ V}$ , $V_{GS} = 0\text{ V}$ , $T_A = 85^\circ\text{C}$ )	-	-	20	$\mu\text{A}$
		-	-	40	
$I_{GSS}$	Gate Body Leakage Current ( $V_{GS} = 3.0\text{ V}$ , $V_{DS} = 0\text{ V}$ ) ( $V_{GS} = 5.0\text{ V}$ , $V_{DS} = 0\text{ V}$ )	-	-	35	$\mu\text{A}$
		-	-	65	
<b>ON CHARACTERISTICS</b>					
$V_{GS(th)}$	Gate Threshold Voltage ( $V_{GS} = V_{DS}$ , $I_D = 1.0\text{ mA}$ ) ( $V_{GS} = V_{DS}$ , $I_D = 1.0\text{ mA}$ , $T_A = 85^\circ\text{C}$ )	0.8	1.2	1.4	V
		0.8	-	1.4	
$R_{DS(on)}$	Drain to Source On-Resistance ( $I_D = 250\text{ mA}$ , $V_{GS} = 3.0\text{ V}$ ) ( $I_D = 500\text{ mA}$ , $V_{GS} = 3.0\text{ V}$ ) ( $I_D = 500\text{ mA}$ , $V_{GS} = 5.0\text{ V}$ ) ( $I_D = 500\text{ mA}$ , $V_{GS} = 3.0\text{ V}$ , $T_A = 85^\circ\text{C}$ ) ( $I_D = 500\text{ mA}$ , $V_{GS} = 5.0\text{ V}$ , $T_A = 85^\circ\text{C}$ )	-	-	1.2	$\Omega$
		-	-	1.3	
		-	-	0.9	
		-	-	1.3	
		-	-	0.9	
$I_{DS(on)}$	Output Continuous Current ( $V_{DS} = 0.25\text{ V}$ , $V_{GS} = 3.0\text{ V}$ ) ( $V_{DS} = 0.25\text{ V}$ , $V_{GS} = 3.0\text{ V}$ , $T_A = 85^\circ\text{C}$ )	300	400	-	mA
		200	-	-	
$g_{FS}$	Forward Transconductance ( $V_{OUT} = 12.0\text{ V}$ , $I_{OUT} = 0.25\text{ A}$ )	350	490	-	mmhos

# NUD3112

## TYPICAL ELECTRICAL CHARACTERISTICS (T<sub>A</sub> = 25°C unless otherwise noted)

Symbol	Characteristic	Min	Typ	Max	Unit
<b>DYNAMIC CHARACTERISTICS</b>					
C <sub>iss</sub>	Input Capacitance (V <sub>DS</sub> = 12 V, V <sub>GS</sub> = 0 V, f = 10 kHz)	-	23	-	pF
C <sub>oss</sub>	Output Capacitance (V <sub>DS</sub> = 12 V, V <sub>GS</sub> = 0 V, f = 10 kHz)	-	30	-	pF
C <sub>rss</sub>	Transfer Capacitance (V <sub>DS</sub> = 12.0 V, V <sub>GS</sub> = 0 V, f = 10 kHz)	-	7	-	pF

## SWITCHING CHARACTERISTICS

Symbol	Characteristic	Min	Typ	Max	Units
t <sub>PHL</sub> t <sub>PLH</sub>	Propagation Delay Times: High to Low Propagation Delay; Figure 1 (V <sub>DS</sub> = 12 V, V <sub>GS</sub> = 5.0 V) Low to High Propagation Delay; Figure 1 (V <sub>DS</sub> = 12 V, V <sub>GS</sub> = 5.0 V)	- -	21 91	- -	nS
t <sub>f</sub> t <sub>r</sub>	Transition Times: Fall Time; Figure 1 (V <sub>DS</sub> = 12 V, V <sub>GS</sub> = 5.0 V) Rise Time; Figure 1 (V <sub>DS</sub> = 12 V, V <sub>GS</sub> = 5.0 V)	- -	36 61	- -	nS

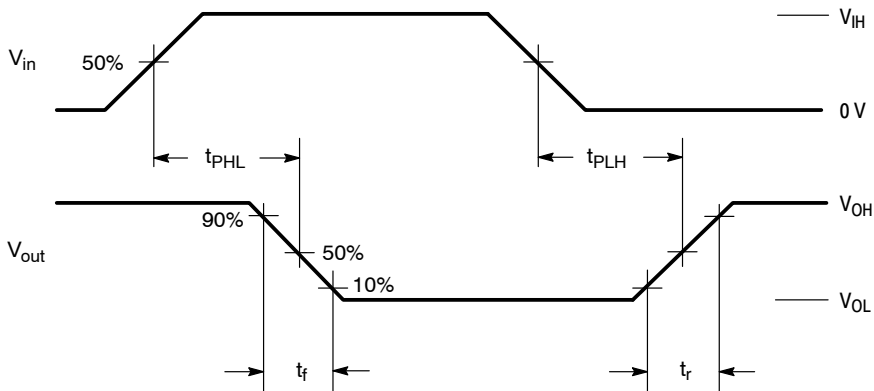


Figure 1. Switching Waveforms

# NUD3112

## TYPICAL PERFORMANCE CURVES ( $T_J = 25^\circ\text{C}$ unless otherwise specified)

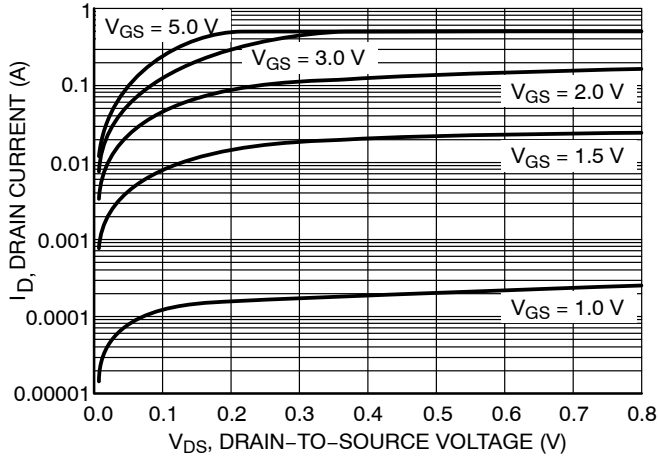


Figure 2. Output Characteristics

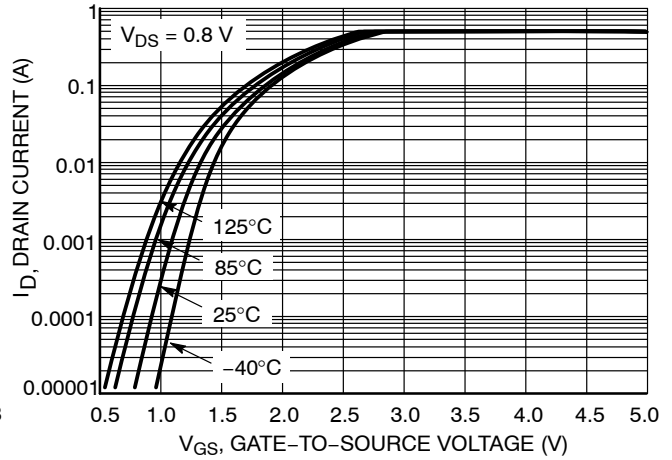


Figure 3. Transfer Function

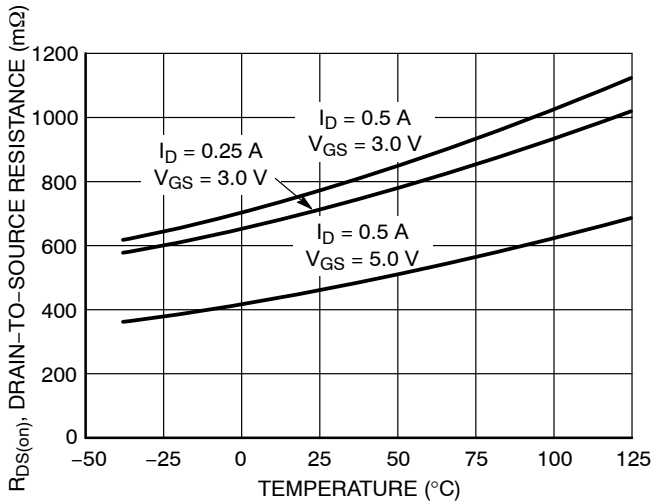


Figure 4. On-Resistance Variation vs. Temperature

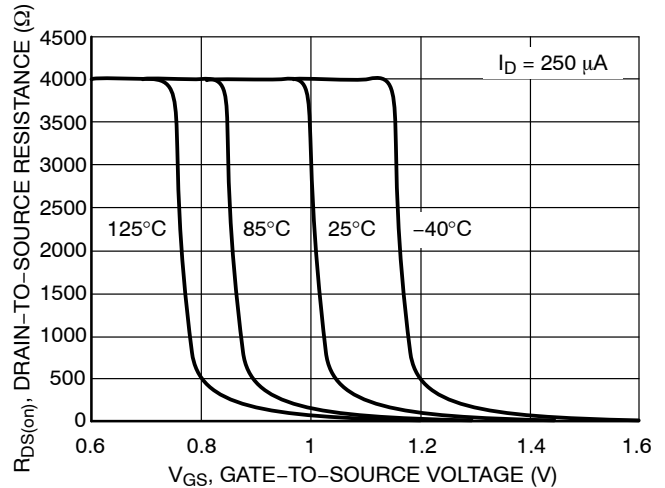


Figure 5.  $R_{DS(ON)}$  Variation vs. Gate-to-Source Voltage

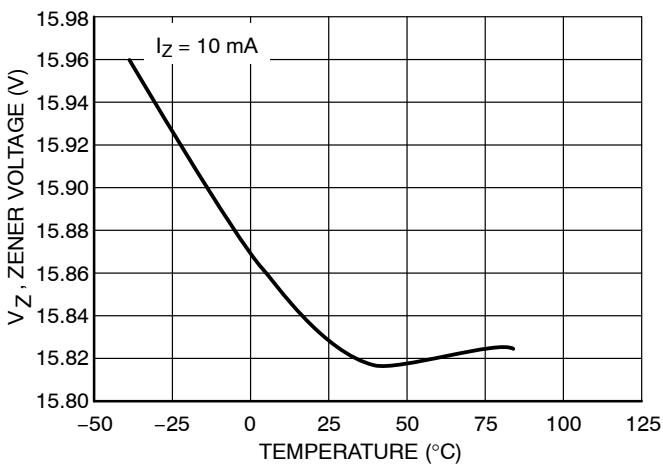


Figure 6. Zener Voltage vs. Temperature

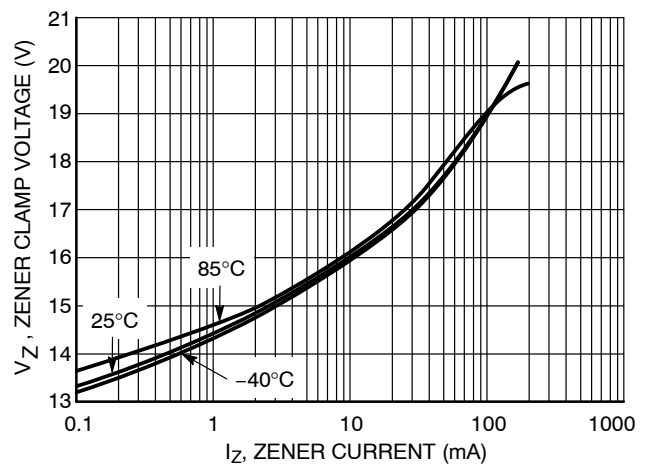
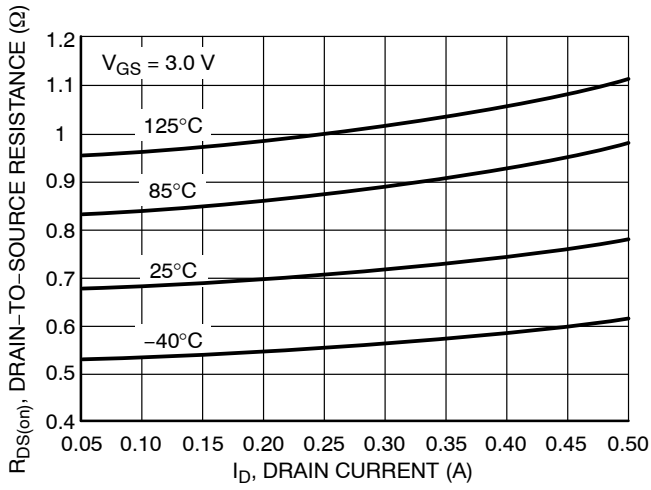


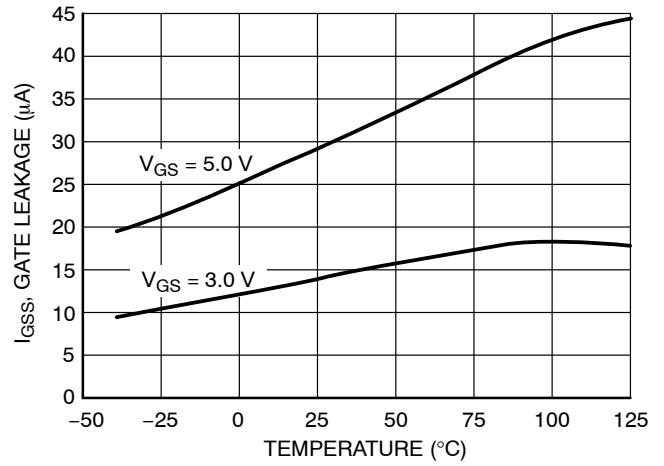
Figure 7. Zener Clamp Voltage vs. Zener Current

# NUD3112

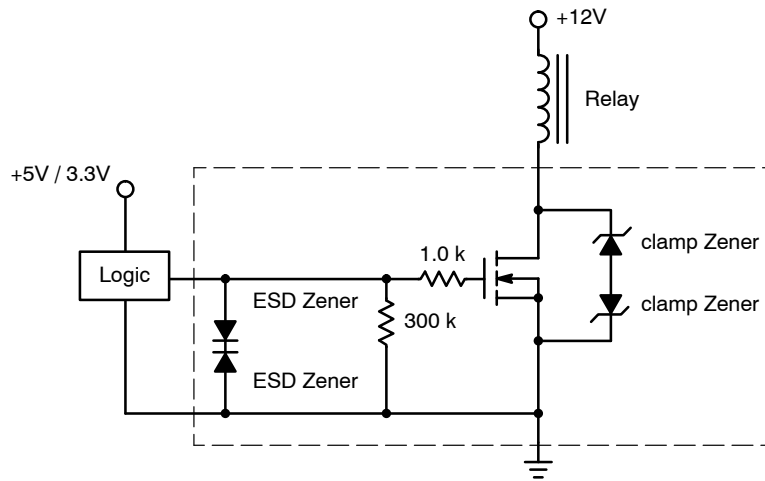
## TYPICAL PERFORMANCE CURVES ( $T_J = 25^\circ\text{C}$ unless otherwise specified)



**Figure 8. On-Resistance vs. Drain Current and Temperature**



**Figure 9. Gate Leakage vs. Temperature**

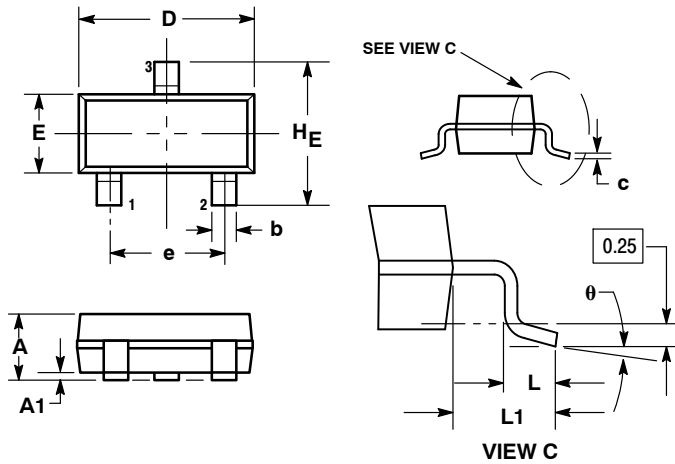


**Figure 10. Typical Application Circuit**

# NUD3112

## PACKAGE DIMENSIONS

SOT-23 (TO-236)  
CASE 318-08  
ISSUE AP



### NOTES:

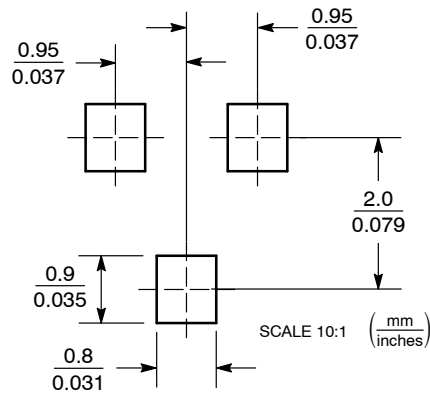
1. DIMENSIONING AND TOLERANCING PER ANSI Y14.5M, 1982.
2. CONTROLLING DIMENSION: INCH.
3. MAXIMUM LEAD THICKNESS INCLUDES LEAD FINISH THICKNESS. MINIMUM LEAD THICKNESS IS THE MINIMUM THICKNESS OF BASE MATERIAL.
4. DIMENSIONS D AND E DO NOT INCLUDE MOLD FLASH, PROTRUSIONS, OR GATE BURRS.

DIM	MILLIMETERS			INCHES		
	MIN	NOM	MAX	MIN	NOM	MAX
A	0.89	1.00	1.11	0.035	0.040	0.044
A1	0.01	0.06	0.10	0.001	0.002	0.004
b	0.37	0.44	0.50	0.015	0.018	0.020
c	0.09	0.13	0.18	0.003	0.005	0.007
D	2.80	2.90	3.04	0.110	0.114	0.120
E	1.20	1.30	1.40	0.047	0.051	0.055
e	1.78	1.90	2.04	0.070	0.075	0.081
L	0.10	0.20	0.30	0.004	0.008	0.012
L1	0.35	0.54	0.69	0.014	0.021	0.029
HE	2.10	2.40	2.64	0.083	0.094	0.104
θ	0°	---	10°	0°	---	10°

### STYLE 21:

1. GATE
2. SOURCE
3. DRAIN

### SOLDERING FOOTPRINT\*

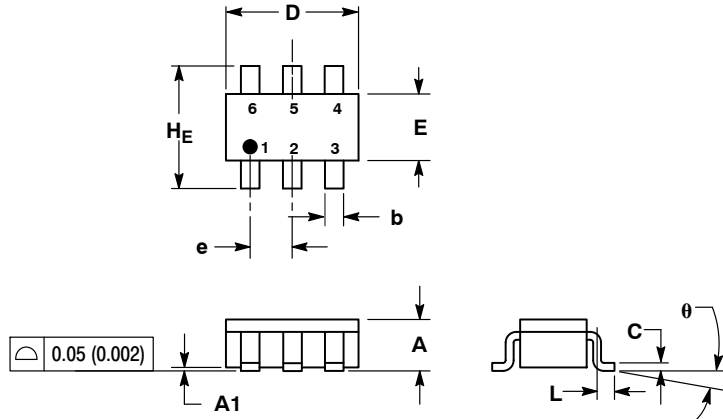


\*For additional information on our Pb-Free strategy and soldering details, please download the ON Semiconductor Soldering and Mounting Techniques Reference Manual, SOLDERRM/D.

# NUD3112

## PACKAGE DIMENSIONS

### SC-74 CASE 318F-05 ISSUE M



#### NOTES:

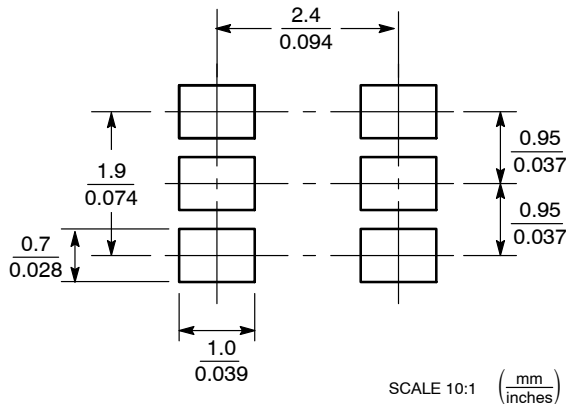
1. DIMENSIONING AND TOLERANCING PER ANSI Y14.5M, 1982.
2. CONTROLLING DIMENSION: INCH.
3. MAXIMUM LEAD THICKNESS INCLUDES LEAD FINISH THICKNESS. MINIMUM LEAD THICKNESS IS THE MINIMUM THICKNESS OF BASE MATERIAL.
4. 318F-01, -02, -03, -04 OBSOLETE. NEW STANDARD 318F-05.

DIM	MILLIMETERS			INCHES		
	MIN	NOM	MAX	MIN	NOM	MAX
A	0.90	1.00	1.10	0.035	0.039	0.043
A1	0.01	0.06	0.10	0.001	0.002	0.004
b	0.25	0.37	0.50	0.010	0.015	0.020
c	0.10	0.18	0.26	0.004	0.007	0.010
D	2.90	3.00	3.10	0.114	0.118	0.122
E	1.30	1.50	1.70	0.051	0.059	0.067
e	0.85	0.95	1.05	0.034	0.037	0.041
L	0.20	0.40	0.60	0.008	0.016	0.024
HE	2.50	2.75	3.00	0.099	0.108	0.118
θ	0°	-	10°	0°	-	10°

#### STYLE 7:

1. SOURCE 1
2. GATE 1
3. DRAIN 2
4. SOURCE 2
5. GATE 2
6. DRAIN 1

#### SOLDERING FOOTPRINT\*



\*For additional information on our Pb-Free strategy and soldering details, please download the ON Semiconductor Soldering and Mounting Techniques Reference Manual, SOLDERRM/D.

ON Semiconductor and are registered trademarks of Semiconductor Components Industries, LLC (SCILLC). SCILLC reserves the right to make changes without further notice to any products herein. SCILLC makes no warranty, representation or guarantee regarding the suitability of its products for any particular purpose, nor does SCILLC assume any liability arising out of the application or use of any product or circuit, and specifically disclaims any and all liability, including without limitation special, consequential or incidental damages. "Typical" parameters which may be provided in SCILLC data sheets and/or specifications can and do vary in different applications and actual performance may vary over time. All operating parameters, including "Typicals" must be validated for each customer application by customer's technical experts. SCILLC does not convey any license under its patent rights nor the rights of others. SCILLC products are not designed, intended, or authorized for use as components in systems intended for surgical implant into the body, or other applications intended to support or sustain life, or for any other application in which the failure of the SCILLC product could create a situation where personal injury or death may occur. Should Buyer purchase or use SCILLC products for any such unintended or unauthorized application, Buyer shall indemnify and hold SCILLC and its officers, employees, subsidiaries, affiliates, and distributors harmless against all claims, costs, damages, and expenses, and reasonable attorney fees arising out of, directly or indirectly, any claim of personal injury or death associated with such unintended or unauthorized use, even if such claim alleges that SCILLC was negligent regarding the design or manufacture of the part. SCILLC is an Equal Opportunity/Affirmative Action Employer. This literature is subject to all applicable copyright laws and is not for resale in any manner.

#### PUBLICATION ORDERING INFORMATION

**LITERATURE FULFILLMENT:**  
Literature Distribution Center for ON Semiconductor  
P.O. Box 5163, Denver, Colorado 80217 USA  
**Phone:** 303-675-2175 or 800-344-3860 Toll Free USA/Canada  
**Fax:** 303-675-2176 or 800-344-3867 Toll Free USA/Canada  
**Email:** orderlit@onsemi.com

**N. American Technical Support:** 800-282-9855 Toll Free  
USA/Canada  
**Europe, Middle East and Africa Technical Support:**  
Phone: 421 33 790 2910  
**Japan Customer Focus Center**  
Phone: 81-3-5817-1050

**ON Semiconductor Website:** [www.onsemi.com](http://www.onsemi.com)  
**Order Literature:** <http://www.onsemi.com/orderlit>  
For additional information, please contact your local Sales Representative



Компания «ЭлектроПласт» предлагает заключение долгосрочных отношений при поставках импортных электронных компонентов на взаимовыгодных условиях!

Наши преимущества:

- Оперативные поставки широкого спектра электронных компонентов отечественного и импортного производства напрямую от производителей и с крупнейших мировых складов;
- Поставка более 17-ти миллионов наименований электронных компонентов;
- Поставка сложных, дефицитных, либо снятых с производства позиций;
- Оперативные сроки поставки под заказ (от 5 рабочих дней);
- Экспресс доставка в любую точку России;
- Техническая поддержка проекта, помощь в подборе аналогов, поставка прототипов;
- Система менеджмента качества сертифицирована по Международному стандарту ISO 9001;
- Лицензия ФСБ на осуществление работ с использованием сведений, составляющих государственную тайну;
- Поставка специализированных компонентов (Xilinx, Altera, Analog Devices, Intersil, Interpoint, Microsemi, Aeroflex, Peregrine, Syfer, Eurofarad, Texas Instrument, Miteq, Cobham, E2V, MA-COM, Hittite, Mini-Circuits, General Dynamics и др.);

Помимо этого, одним из направлений компании «ЭлектроПласт» является направление «Источники питания». Мы предлагаем Вам помощь Конструкторского отдела:

- Подбор оптимального решения, техническое обоснование при выборе компонента;
- Подбор аналогов;
- Консультации по применению компонента;
- Поставка образцов и прототипов;
- Техническая поддержка проекта;
- Защита от снятия компонента с производства.



#### Как с нами связаться

**Телефон:** 8 (812) 309 58 32 (многоканальный)

**Факс:** 8 (812) 320-02-42

**Электронная почта:** [org@eplast1.ru](mailto:org@eplast1.ru)

**Адрес:** 198099, г. Санкт-Петербург, ул. Калинина, дом 2, корпус 4, литера А.