

Regulated 3.3V, Low-Ripple Charge Pump with Low-Operating Current SLEEP Mode or BYPASS Mode

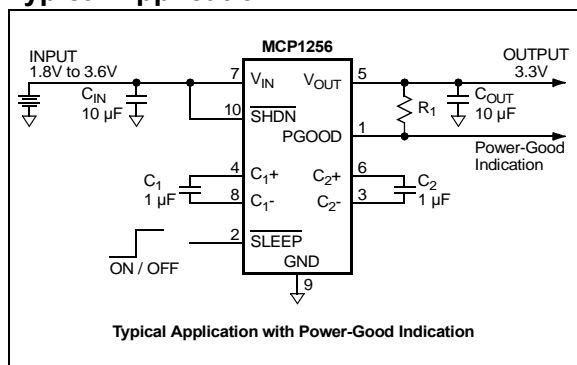
Features

- Inductorless 1.5x, 2x Boost DC/DC Converter
- Output Voltage: 3.3V
- High Output Voltage Accuracy:
 - $\pm 3.0\%$ (V_{OUT} Fixed)
- Output Current Up To 100 mA
- 20 mV_{PP} Output Voltage Ripple
- Thermal Shutdown and Short Circuit Protection
- Uses Small Ceramic Capacitors
- Switching Frequency: 650 kHz
- Low-Power SLEEP Mode: MCP1256/7
- BYPASS Mode: MCP1258/9
- Low-Power Shutdown Mode: 0.1 μ A (Typical)
- Shutdown Input Compatible with 1.8V Logic
- V_{IN} Range: 1.8V to 3.6V
- Soft-Start Circuitry to Minimize Inrush Current
- Temperature Range: -40°C to +125°C
- Packaging:
 - 10-Pin, 3 mm x 3 mm DFN
 - 10-Pin, MSOP

Applications

- Pagers
- Portable Measurement Instruments
- Home Automation Products
- PIC[®] MCU Bias

Typical Application



Description

The MCP1256, MCP1257, MCP1258 and MCP1259 are inductorless, positive regulated charge pump DC/DC converters. The devices generate a regulated 3.3V output voltage from a 1.8V to 3.6V input. The devices are specifically designed for applications operating from 2-cell alkaline, Ni-Cd, or Ni-MH batteries or by one primary lithium MnO₂ (or similar) coin cell battery.

The MCP1256, MCP1257, MCP1258 and MCP1259 provide high efficiency by automatically switching between 1.5x and 2x boost operation. In addition, at light output loads, the MCP1256 and MCP1257 can be placed in a SLEEP mode, lowering the quiescent current while maintaining the regulated output voltage. Alternatively, the MCP1258 and MCP1259 provide a BYPASS feature connecting the input voltage to the output. This allows for real-time clocks, microcontrollers or other system devices to remain biased with virtually no current being consumed by the MCP1258 or MCP1259.

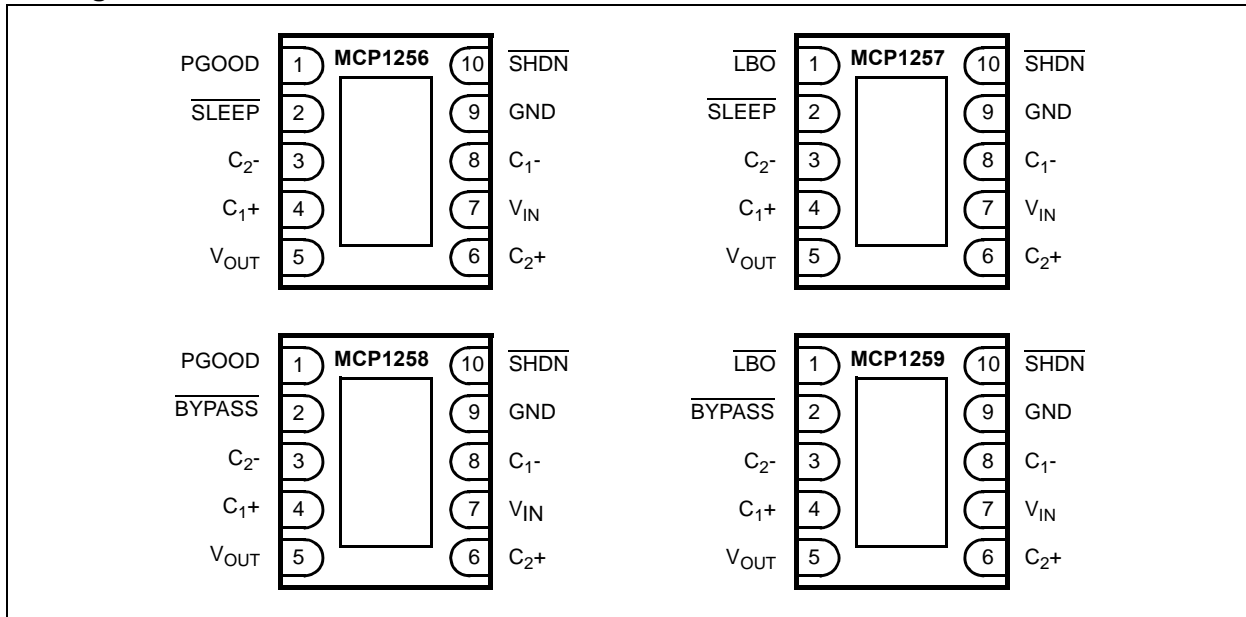
In normal operation, the output voltage ripple is below 20 mV_{PP} at load currents up to 100 mA. Normal operation occurs at a fixed switching frequency of 650 kHz, avoiding interference with sensitive IF bands.

The MCP1256 and MCP1258 feature a power-good output that can be used to detect out-of-regulation conditions. The MCP1257 and MCP1259 feature a low-battery indication that issues a warning if the input voltage drops below a preset voltage threshold. Extremely low supply current and few external parts (4 capacitors) make these devices ideal for small, battery-powered applications. A Shutdown mode is also provided for further power reduction.

The devices incorporate thermal and short-circuit protection. Two package offerings are provided: 10-pin MSOP and 10-lead 3 mm x 3 mm DFN. The devices are completely characterized over the junction temperature range of -40°C to +125°C.

MCP1256/7/8/9

Package Pinouts



Functional Block Diagram

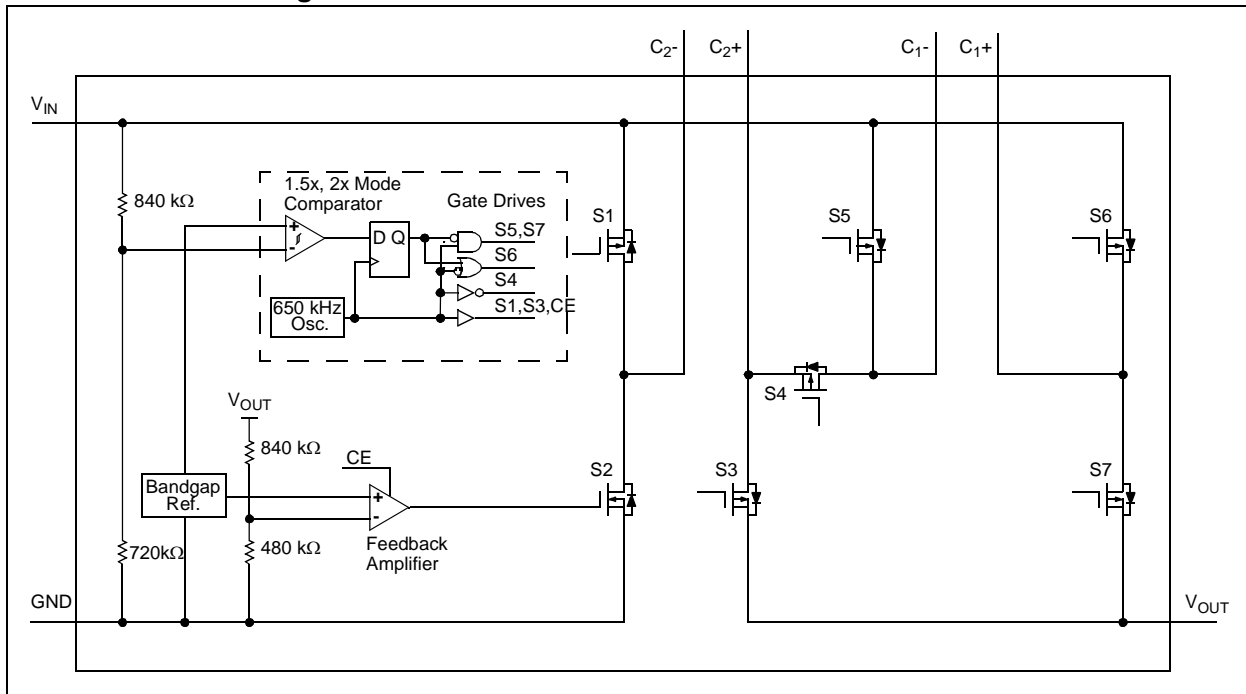


TABLE 1: SWITCH LOGIC

Mode	Phase	Oscillator	Q	S1	S2(CE)	S3	S4	S5	S6	S7
1.5x	Charging	H	L	H	H	H	L	H	L	H
1.5x	Transfer	L	L	L	L	L	H	L	H	L
2x	Charging	H	H	H	H	H	L	L	H	L
2x	Transfer	L	H	L	L	L	H	L	H	L
BYPASS	—	—	—	H	L	H	H	H	L	L

Legend: L is Logic Low, H is Logic High

1.0 ELECTRICAL CHARACTERISTICS

Absolute Maximum Ratings†

Power Supply Voltage, V_{IN}3.8V
 Voltage on Any Pin w.r.t. GND -0.3V to ($V_{IN}+0.3V$)
 Output Short Circuit Durationcontinuous
 Storage Temperature Range -65°C to +150°C
 Ambient Temperature with Power Applied -55°C to +125°C
 Maximum Junction Temperature +150°C
 ESD protection on all pins
 Human Body Model (1.5 kΩ in Series with 100 pF)..... ≥ 2 kV
 Machine Model (200 pF, No Series Resistance)200V

† **Notice:** Stresses above those listed under “Maximum Ratings” may cause permanent damage to the device. This is a stress rating only and functional operation of the device at those or any other conditions above those indicated in the operational listings of this specification is not implied. Exposure to maximum rating conditions for extended periods may affect device reliability.

DC CHARACTERISTICS

Electrical Specifications: Unless otherwise indicated, all limits apply for $V_{IN} = 1.8V$ to $3.6V$, $\overline{SHDN} = V_{IN}$, $C_{IN} = C_{OUT} = 10 \mu F$, $C_1 = C_2 = 1 \mu F$, $I_{OUT} = 10 \text{ mA}$, $T_J = -40^\circ C$ to $+125^\circ C$. Typical values are at $T_J = +25^\circ C$.

Parameters	Sym	Min	Typ	Max	Units	Conditions
ALL DEVICES						
Supply Voltage	V_{IN}	1.8	—	3.6	V	
Output Voltage	V_{OUT}	—	3.3	—	V	
Output Voltage Accuracy	V_{OUT}	-3.0	±0.5	+3.0	%	$I_{OUT} = 10 \text{ mA}$ to $I_{OUT(MAX)}$
Output Current	$I_{OUT(MAX)}$	30	—	—	mA	$1.8V \leq V_{IN} < 2.0V$
		70	—	—	mA	$2.0V \leq V_{IN} < 2.2V$
		100	—	—	mA	$2.2V \leq V_{IN} \leq 3.6V$
Short Circuit Current	I_{SC}	—	150	—	mA	$V_{OUT} = 0V$, $V_{IN} = 1.8V$ to $3.6V$
Power Efficiency	η	—	84.5	—	%	$V_{IN} = 1.8V$, $I_{OUT} = 10 \text{ mA}$
		—	84.5	—	%	$V_{IN} = 1.8V$, $I_{OUT} = 50 \text{ mA}$
		—	76.4	—	%	$V_{IN} = 2.0V$, $I_{OUT} = 10 \text{ mA}$
		—	80.1	—	%	$V_{IN} = 2.0V$, $I_{OUT} = 50 \text{ mA}$
		—	64.0	—	%	$V_{IN} = 2.4V$, $I_{OUT} = 10 \text{ mA}$
		—	67.1	—	%	$V_{IN} = 2.4V$, $I_{OUT} = 50 \text{ mA}$
		—	67.5	—	%	$V_{IN} = 2.4V$, $I_{OUT} = 100 \text{ mA}$
		—	69.7	—	%	$V_{IN} = 2.8V$, $I_{OUT} = 10 \text{ mA}$
		—	76.0	—	%	$V_{IN} = 2.8V$, $I_{OUT} = 50 \text{ mA}$
		—	76.7	—	%	$V_{IN} = 2.8V$, $I_{OUT} = 100 \text{ mA}$
		—	65.0	—	%	$V_{IN} = 3.0V$, $I_{OUT} = 10 \text{ mA}$
—	71.0	—	%	$V_{IN} = 3.0V$, $I_{OUT} = 50 \text{ mA}$		
—	71.6	—	%	$V_{IN} = 3.0V$, $I_{OUT} = 100 \text{ mA}$		
Shutdown Input - SHDN						
SHDN Input Voltage Low	$V_{IL(\overline{SHDN})}$	—	—	0.4	V	
SHDN Input Voltage High	$V_{IH(\overline{SHDN})}$	1.4	—	—	V	
SHDN Input Leakage Current	$I_{LK(\overline{SHDN})}$	—	0.001	0.1	μA	
SHDN Quiescent Current	I_Q	—	0.25	2	μA	$V_{\overline{SHDN}} = 0V$, $T_J = +25^\circ C$
Thermal Shutdown						
Thermal Shutdown Threshold	T_J	—	160	—	°C	
Thermal Shutdown Hysteresis	$T_{J(HYS)}$	—	15	—	°C	

MCP1256/7/8/9

DC CHARACTERISTICS (CONTINUED)

Electrical Specifications: Unless otherwise indicated, all limits apply for $V_{IN} = 1.8V$ to $3.6V$, $\overline{SHDN} = V_{IN}$, $C_{IN} = C_{OUT} = 10 \mu F$, $C_1 = C_2 = 1 \mu F$, $I_{OUT} = 10 mA$, $T_J = -40^\circ C$ to $+125^\circ C$. Typical values are at $T_J = +25^\circ C$.						
Parameters	Sym	Min	Typ	Max	Units	Conditions
MCP1256 and MCP1257 Devices						
SLEEP Mode Input - SLEEP						
SLEEP Input Voltage Low	$V_{IL(\overline{SLEEP})}$	—	—	0.4	V	
SLEEP Input Voltage High	$V_{IH(\overline{SLEEP})}$	1.4	—	—	V	
SLEEP Input Leakage Current	$I_{LK(\overline{SLEEP})}$	—	0.001	0.1	μA	
SLEEP Quiescent Current	I_Q	—	10	20	μA	$V_{\overline{SLEEP}} = 0V$, $I_{OUT} = 0 mA$
MCP1256 and MCP1258 Devices						
Power-Good Output - PGOOD						
PGOOD Threshold	V_{TH}	—	93	—	%	Percent of V_{OUT} Falling
PGOOD Hysteresis	V_{HYS}	—	110	—	mV	V_{OUT} Rising
PGOOD Output Low Voltage	V_{OL}	—	25	100	mV	$I_{SINK} = 0.5 mA$, $V_{IN} = 1.8V$
PGOOD Input Leakage Current	$I_{LK(\overline{PGOOD})}$	—	0.02	1	μA	$V_{PGOOD} = V_{IN}$
MCP1257 and MCP1259						
Low-Battery Output - LBO						
LBO Threshold	V_{TH}	—	1.95	—	V	V_{IN} Falling
LBO Hysteresis	V_{HYS}	—	240	—	mV	V_{IN} Rising
LBO Output Low Voltage	V_{OL}	—	25	100	mV	$I_{SINK} = 0.5 mA$, $V_{IN} = 1.8V$
LBO Input Leakage Current	$I_{LK(\overline{LBO})}$	—	0.02	1	μA	$V_{\overline{LBO}} = V_{IN}$
MCP1258 and MCP1259						
BYPASS Mode Input - BYPASS						
BYPASS Input Voltage Low	$V_{IL(\overline{BYPASS})}$	—	—	0.4	V	
BYPASS Input Voltage High	$V_{IH(\overline{BYPASS})}$	1.4	—	—	V	
BYPASS Input Leakage Current	$I_{LK(\overline{BYPASS})}$	—	0.001	0.1	μA	
BYPASS Quiescent Current	I_Q	—	0.25	2	μA	$V_{\overline{BYPASS}} = 0V$, $I_{OUT} = 0 mA$, $T_J = +25^\circ C$
BYPASS Input-to-Output Impedance	R_{BYPASS}	—	1.5	—	Ω	$V_{IN} = 2.4V$

AC CHARACTERISTICS

Electrical Specifications: Unless otherwise indicated, all limits apply for $V_{IN} = 1.8V$ to $3.6V$, $\overline{SHDN} = V_{IN}$, $C_{IN} = C_{OUT} = 10 \mu F$, $C_1 = C_2 = 1 \mu F$, $I_{OUT} = 10 mA$, $T_J = -40^\circ C$ to $+125^\circ C$. Typical values are at $T_J = +25^\circ C$.

Parameters	Sym	Min	Typ	Max	Units	Conditions
ALL DEVICES						
Internal Oscillator Frequency	F_{OSC}	—	650	—	kHz	
Output Voltage Ripple, Normal Operation	V_{RIP}	—	5	—	mVp-p	$C_{OUT} = 10 \mu F$, $I_{OUT} = 10 mA$
		—	20	—	mVp-p	$C_{OUT} = 10 \mu F$, $I_{OUT} = 100 mA$
		—	12	—	mVp-p	$C_{OUT} = 2.2 \mu F$, $I_{OUT} = 10 mA$
		—	55	—	mVp-p	$C_{OUT} = 2.2 \mu F$, $I_{OUT} = 100 mA$
V_{OUT} Wake-up Time From Shutdown	T_{WKUP}	—	175	—	μs	$V_{IN} = 3.0V$, $I_{OUT} = 10 mA$, $\overline{SHDN} = V_{IH(MIN)}$, V_{OUT} from 0 to 90% Nominal Regulated Output Voltage
MCP1256 and MCP1257						
Output Voltage Ripple, SLEEP Mode	V_{RIP}	—	40	—	mVp-p	$C_{OUT} = 10 \mu F$, $I_{OUT} = 0.1 mA$
		—	60	—	mVp-p	$C_{OUT} = 10 \mu F$, $I_{OUT} = 4 mA$
		—	40	—	mVp-p	$C_{OUT} = 2.2 \mu F$, $I_{OUT} = 0.1 mA$
		—	60	—	mVp-p	$C_{OUT} = 2.2 \mu F$, $I_{OUT} = 4 mA$
MCP1258 and MCP1259						
V_{OUT} Wake-up Time From BYPASS	T_{WKUP}	—	150	—	μs	$V_{IN} = 3.0V$, $I_{OUT} = 10 mA$, $\overline{SHDN} = V_{IH(MIN)}$, V_{OUT} from 0 to 90% Nominal Regulated Output Voltage

TEMPERATURE SPECIFICATIONS

Electrical Specifications: Unless otherwise indicated, all limits apply for $V_{IN} = 1.8V$ to $3.6V$, $\overline{SHDN} = V_{IN}$, $C_{IN} = C_{OUT} = 10 \mu F$, $C_1 = C_2 = 1 \mu F$, $I_{OUT} = 10 mA$, $T_J = -40^\circ C$ to $+125^\circ C$. Typical values are at $T_J = +25^\circ C$.

Parameters	Sym	Min	Typ	Max	Units	Conditions
Temperature Ranges						
Specified Temperature Range	T_J	-40	—	+125	$^\circ C$	
Operating Temperature Range	T_J	-40	—	+125	$^\circ C$	
Storage Temperature Range	T_A	-65	—	+150	$^\circ C$	
Thermal Package Resistances						
Thermal Resistance, 10-Lead, MSOP	θ_{JA}	—	200	—	$^\circ C/W$	4-Layer JC51-7 Standard Board, Natural Convection
Thermal Resistance, 10-Lead, DFN 3 mm x 3 mm	θ_{JA}	—	57	—	$^\circ C/W$	4-Layer JC51-7 Standard Board, Natural Convection

MCP1256/7/8/9

2.0 TYPICAL PERFORMANCE CURVES

Note: The graphs and tables provided following this note are a statistical summary based on a limited number of samples and are provided for informational purposes only. The performance characteristics listed herein are not tested or guaranteed. In some graphs or tables, the data presented may be outside the specified operating range (e.g., outside specified power supply range) and therefore outside the warranted range.

NOTE: Unless otherwise indicated, $C_{IN} = C_{OUT} = 10 \mu\text{F}$, $C_1 = C_2 = 1 \mu\text{F}$, $I_{OUT} = 10 \text{ mA}$, and $T_A = +25^\circ\text{C}$.

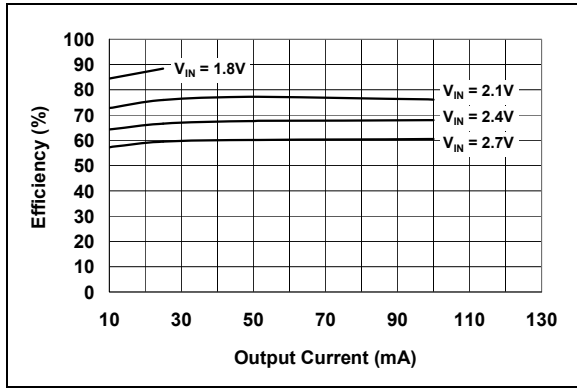


FIGURE 2-1: Efficiency (η) vs. Output Current (I_{OUT}).

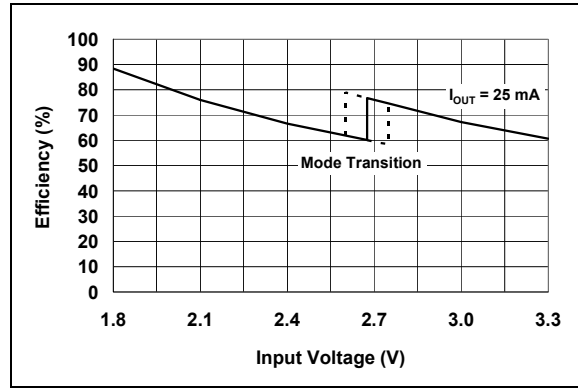


FIGURE 2-4: Efficiency (η) vs. Supply Voltage (V_{IN}).

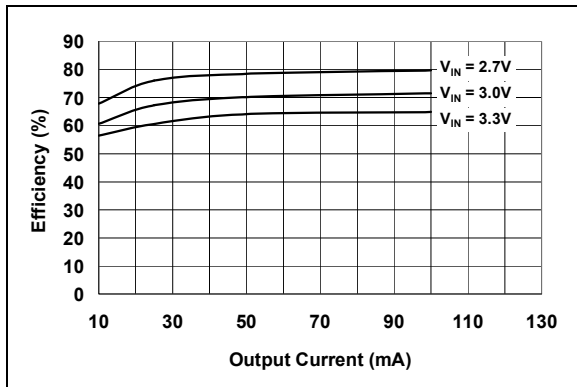


FIGURE 2-2: Efficiency (η) vs. Output Current (I_{OUT}).

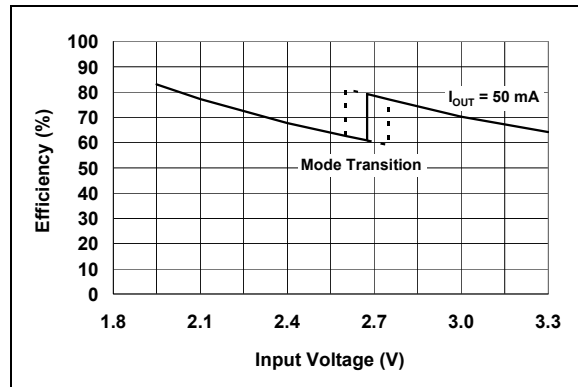


FIGURE 2-5: Efficiency (η) vs. Supply Voltage (V_{IN}).

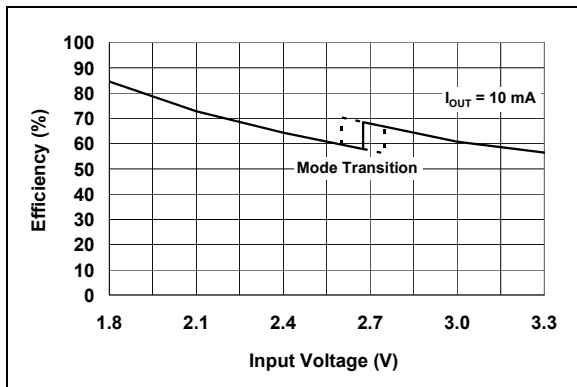


FIGURE 2-3: Efficiency (η) vs. Supply Voltage (V_{IN}).

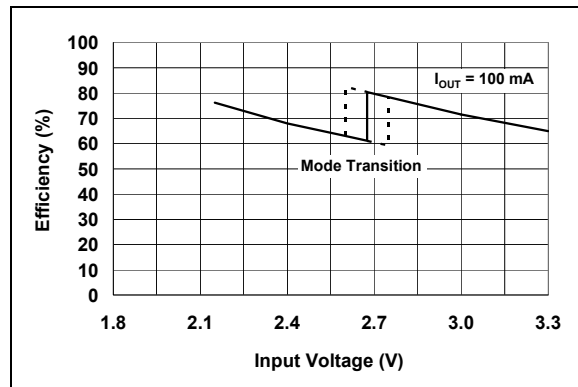


FIGURE 2-6: Efficiency (η) vs. Supply Voltage (V_{IN}).

TYPICAL PERFORMANCE CURVES (CONTINUED)

NOTE: Unless otherwise indicated, $C_{IN} = C_{OUT} = 10 \mu\text{F}$, $C_1 = C_2 = 1 \mu\text{F}$, $I_{OUT} = 10 \text{ mA}$, and $T_A = +25^\circ\text{C}$.

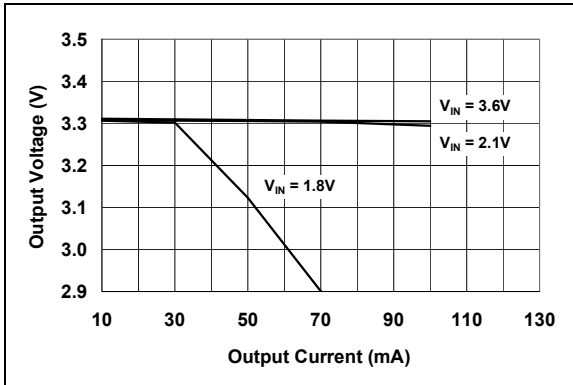


FIGURE 2-7: Output Voltage (V_{OUT}) vs. Output Current (I_{OUT}).

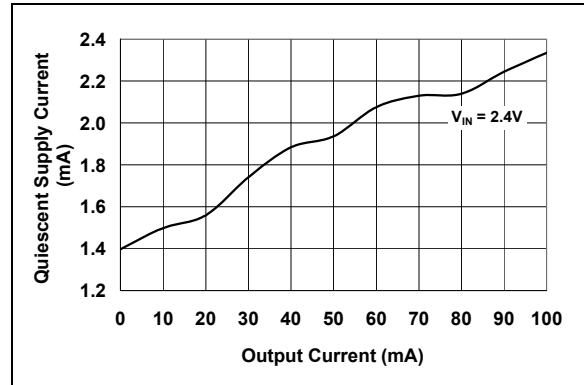


FIGURE 2-10: Quiescent Supply Current (I_Q) vs. Output Current (I_{OUT}) - Normal Mode.

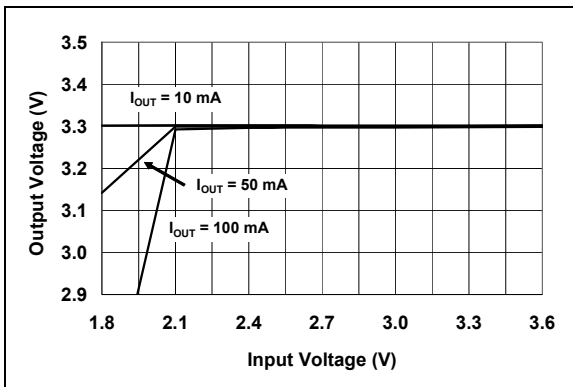


FIGURE 2-8: Output Voltage (V_{OUT}) vs. Input Voltage (V_{IN}).

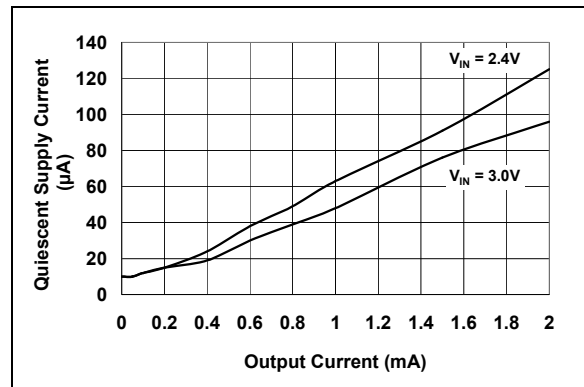


FIGURE 2-11: Quiescent Supply Current (I_Q) vs. Output Current (I_{OUT}) - SLEEP Mode.

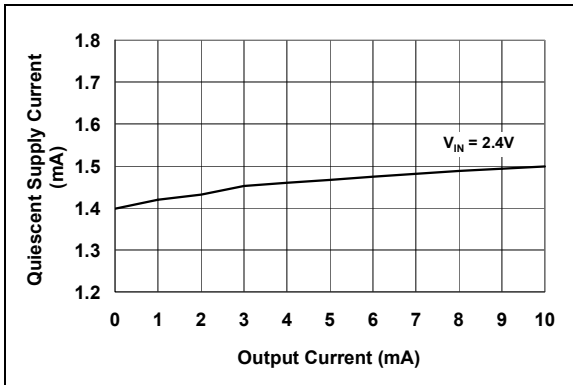


FIGURE 2-9: Quiescent Supply Current (I_Q) vs. Output Current (I_{OUT}) - Normal Mode.

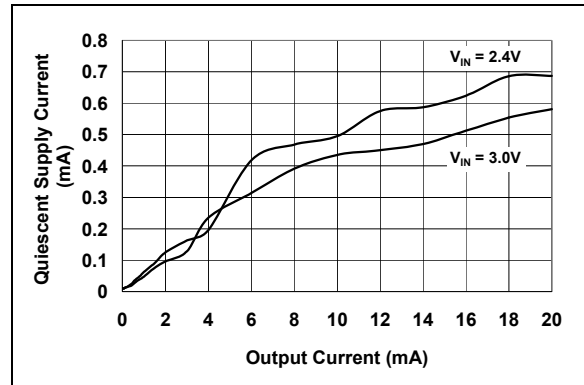


FIGURE 2-12: Quiescent Supply Current (I_Q) vs. Output Current (I_{OUT}) - SLEEP Mode.

MCP1256/7/8/9

TYPICAL PERFORMANCE CURVES (CONTINUED)

NOTE: Unless otherwise indicated, $C_{IN} = C_{OUT} = 10 \mu\text{F}$, $C_1 = C_2 = 1 \mu\text{F}$, $I_{OUT} = 10 \text{ mA}$, and $T_A = +25^\circ\text{C}$.

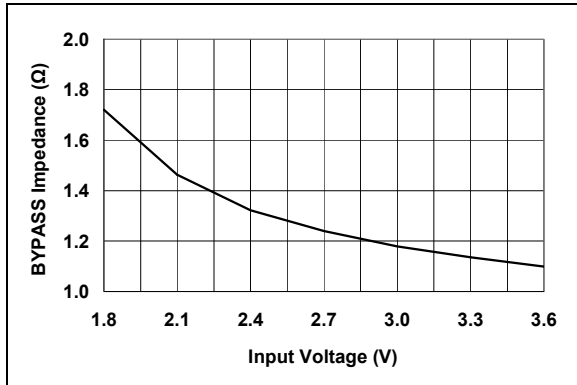


FIGURE 2-13: BYPASS Impedance (R_{BYPASS}) vs. Supply Voltage (V_{IN}).

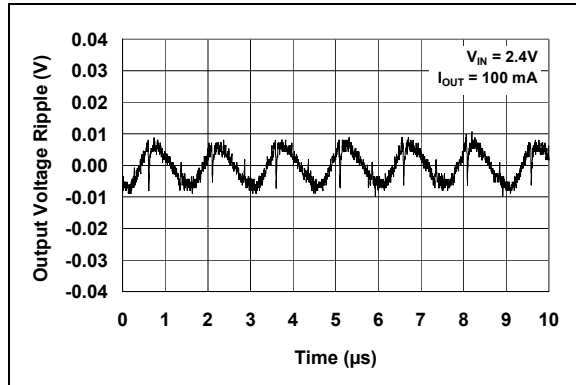


FIGURE 2-16: Output Voltage Ripple vs. Time - Normal 2x Mode.

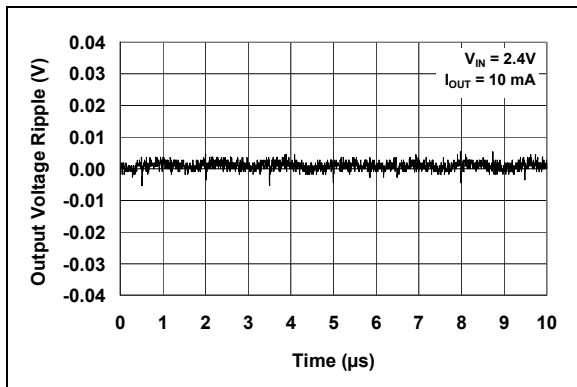


FIGURE 2-14: Output Voltage Ripple vs. Time - Normal 2x Mode.

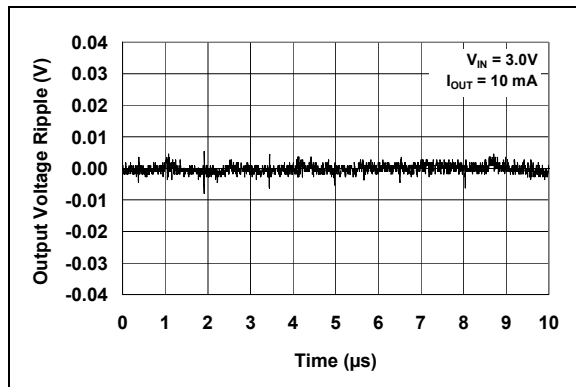


FIGURE 2-17: Output Voltage Ripple vs. Time - Normal 1.5x Mode.

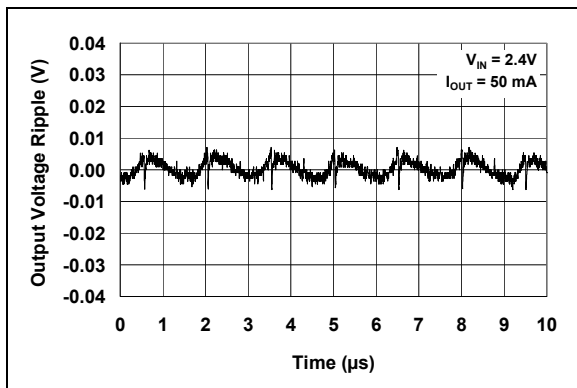


FIGURE 2-15: Output Voltage Ripple vs. Time - Normal 2x Mode.

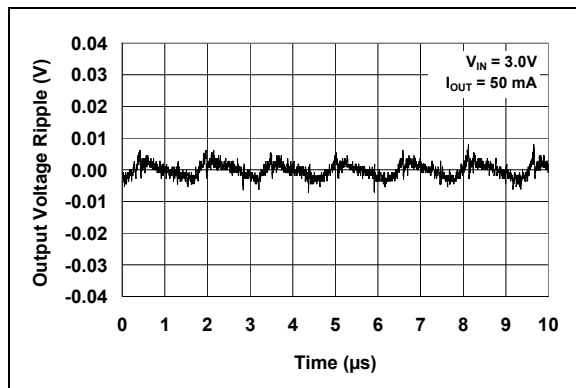


FIGURE 2-18: Output Voltage Ripple vs. Time - Normal 1.5x Mode.

TYPICAL PERFORMANCE CURVES (CONTINUED)

NOTE: Unless otherwise indicated, $C_{IN} = C_{OUT} = 10 \mu\text{F}$, $C_1 = C_2 = 1 \mu\text{F}$, $I_{OUT} = 10 \text{ mA}$, and $T_A = +25^\circ\text{C}$.

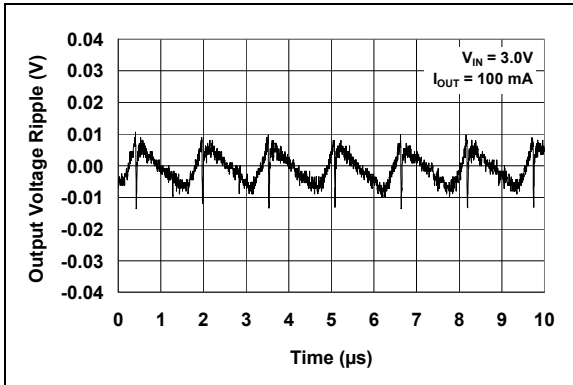


FIGURE 2-19: Output Voltage Ripple vs. Time - Normal 1.5x Mode.

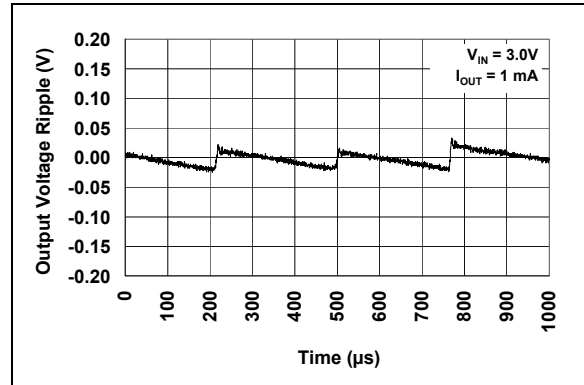


FIGURE 2-22: Output Voltage Ripple vs. Time - SLEEP Mode.

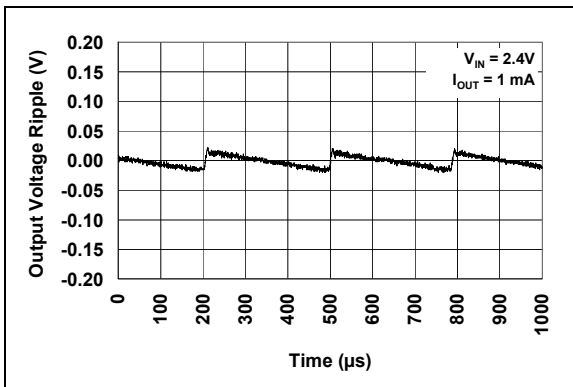


FIGURE 2-20: Output Voltage Ripple vs. Time - SLEEP Mode.

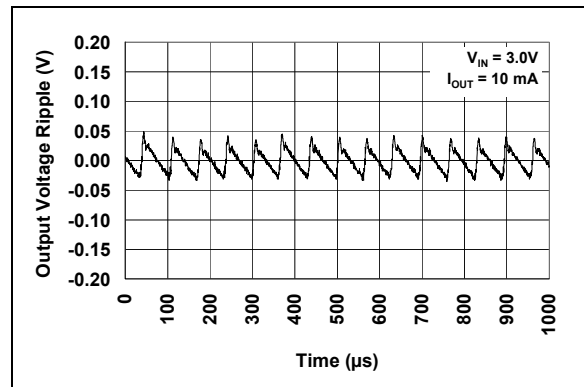


FIGURE 2-23: Output Voltage Ripple vs. Time - SLEEP Mode.

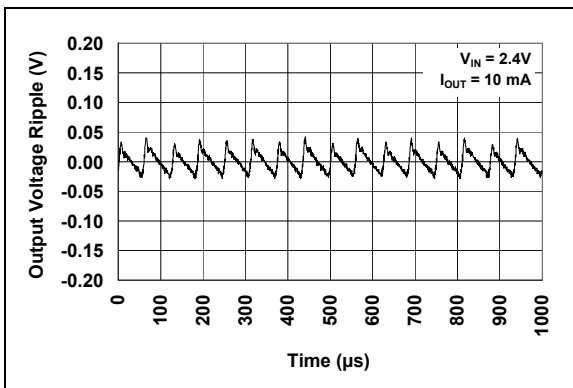


FIGURE 2-21: Output Voltage Ripple vs. Time - SLEEP Mode.

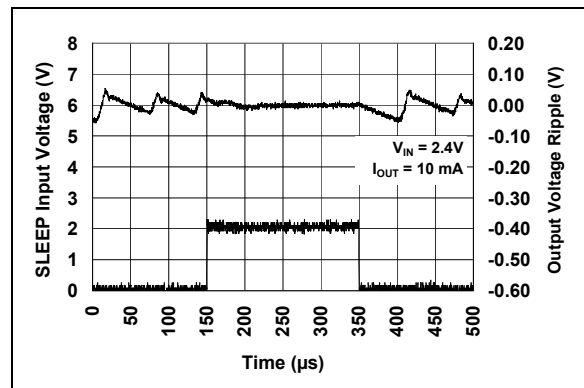


FIGURE 2-24: Output Voltage Ripple vs. Time - Mode Transition: SLEEP Mode-to-Normal 2x Mode-to-SLEEP Mode.

MCP1256/7/8/9

TYPICAL PERFORMANCE CURVES (CONTINUED)

NOTE: Unless otherwise indicated, $C_{IN} = C_{OUT} = 10 \mu\text{F}$, $C_1 = C_2 = 1 \mu\text{F}$, $I_{OUT} = 10 \text{ mA}$, and $T_A = +25^\circ\text{C}$.

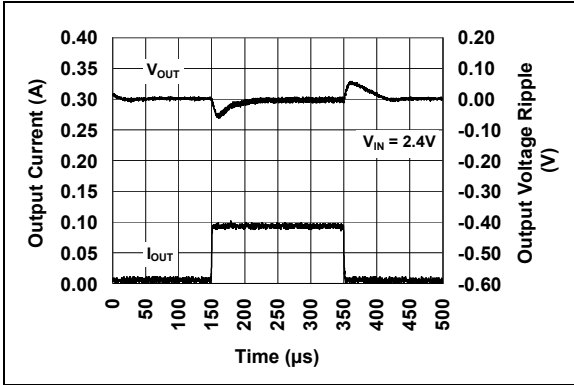


FIGURE 2-25: Load Transient Response - Normal 2x Mode.

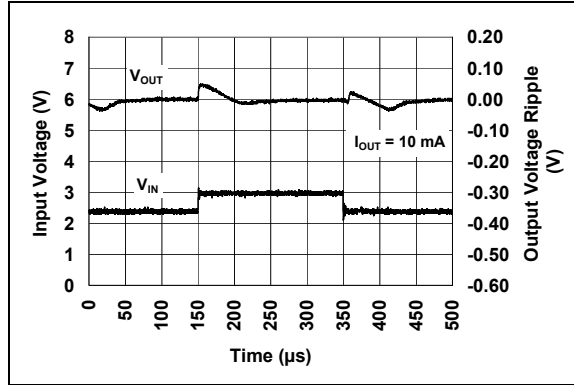


FIGURE 2-27: Line Transient Response.

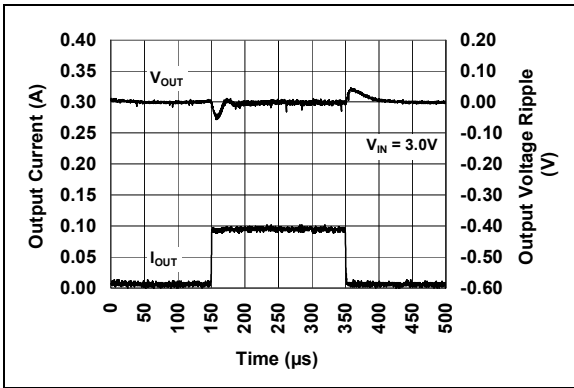


FIGURE 2-26: Load Transient Response - Normal 1.5x Mode.

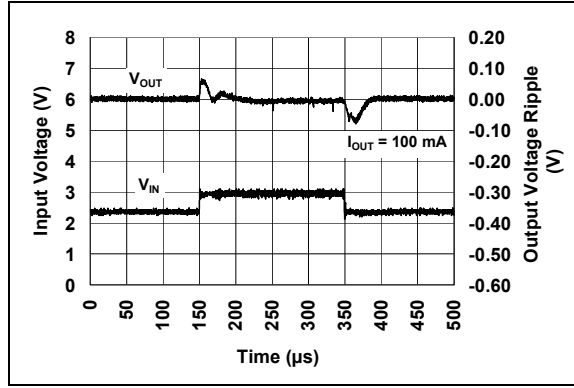


FIGURE 2-28: Line Transient Response.

3.0 PIN DESCRIPTION

The descriptions of the pins are listed in Table 3-1.

TABLE 3-1: PIN FUNCTION TABLE

Pin No.		Symbol	Function
DFN	MSOP		
1	1	PGOOD $\overline{\text{LBO}}$	Power-Good Indication Open-Drain Output Pin: MCP1256 and MCP1258 Low-Battery Indication Open-Drain Output Pin: MCP1257 and MCP1259
2	2	$\overline{\text{SLEEP}}$ $\overline{\text{BYPASS}}$	Active Low SLEEP Mode Input Pin: MCP1256 and MCP1257 Active Low BYPASS Mode Input Pin: MCP1258 and MCP1259
3	3	C2-	Flying Capacitor Negative Pin
4	4	C1+	Flying Capacitor Positive Pin
5	5	V _{OUT}	Regulated 3.3V Output Voltage
6	6	C2+	Flying Capacitor Positive Pin
7	7	V _{IN}	Power Supply Input Voltage
8	8	C1-	Flying Capacitor Negative Pin
9	9	GND	0V Reference
10	10	$\overline{\text{SHDN}}$	Active Low SHUTDOWN Mode Input Pin

3.1 Status Indication (PGOOD, $\overline{\text{LBO}}$)

3.1.1 POWER-GOOD OUTPUT PIN (PGOOD)

MCP1256/8: PGOOD is high impedance when the output voltage is in regulation. A logic low is asserted when the output falls 7% (typical) below the nominal value. The PGOOD output remains low until V_{OUT} is within 3% (typical) of its nominal value. On start-up, this pin indicates when the output voltage reaches its final value. PGOOD is high impedance when $\overline{\text{SHDN}}$ is low or when $\overline{\text{BYPASS}}$ is low (MCP1258).

3.1.2 LOW-BATTERY OUTPUT PIN ($\overline{\text{LBO}}$)

MCP1257/9: $\overline{\text{LBO}}$ is high impedance when the input voltage is above the low-battery threshold voltage. A logic low is asserted when the input falls below the low-battery threshold voltage. The $\overline{\text{LBO}}$ output remains low until V_{IN} is above the low-battery threshold voltage plus the low-battery hysteresis voltage. $\overline{\text{LBO}}$ is high impedance when $\overline{\text{SHDN}}$ is low or when $\overline{\text{BYPASS}}$ is low (MCP1259).

3.2 Mode Selection ($\overline{\text{SLEEP}}$, $\overline{\text{BYPASS}}$)

3.2.1 ACTIVE LOW SLEEP MODE ($\overline{\text{SLEEP}}$)

MCP1256/7: A logic low signal applied to this pin places the device into a SLEEP mode of operation. In this mode, the device maintains regulation. SLEEP mode performs pulse skip operation reducing the current draw of the device at the expense of increased output voltage ripple.

3.2.2 ACTIVE LOW BYPASS MODE ($\overline{\text{BYPASS}}$)

MCP1258/9: A logic low signal applied to this pin places the device into a BYPASS mode of operation. In this mode, the input supply voltage is connected directly to the output.

3.3 Flying Capacitor Negative (C2-)

A 1 μF ceramic flying capacitor is recommended.

3.4 Flying Capacitor Positive (C1+)

A 1 μF ceramic flying capacitor is recommended.

3.5 Regulated Output Voltage (V_{OUT})

Regulated 3.3V output. Bypass to GND with a minimum of 2.2 μF .

3.6 Flying Capacitor Positive (C2+)

A 1 μF ceramic flying capacitor is recommended.

3.7 Power Supply Input Voltage (V_{IN})

A supply voltage of 1.8V to 3.6V is recommended. Bypass to GND with a minimum of 1 μF .

3.8 Flying Capacitor Negative (C1-)

A 1 μF ceramic flying capacitor is recommended.

3.9 0V Reference (GND)

Connect to negative terminal of and input supply.

3.10 Device Shut Down ($\overline{\text{SHDN}}$)

A logic low signal applied to this pin disables the device. A logic high signal applied to this pin allows normal operation.

MCP1256/7/8/9

4.0 DEVICE OVERVIEW

The MCP1256/7/8/9 devices are positive regulated charge pumps that accept an input voltage from +1.8V to +3.6V and convert it to a regulated 3.3V output voltage. The MCP1256/7/8/9 provide a low-cost, compact and simple solution for step-up DC/DC conversions, primarily in battery applications, that do not want to use switching regulator solutions because of EMI noise and inductor size.

The MCP1256/7/8/9 are designed to offer the highest possible efficiency under common operating conditions, i.e. $V_{IN} = 2.4V$ or $2.8V$, $V_{OUT} = 3.3V$, $I_{OUT} = 100$ mA. A fixed switching frequency, 650 kHz typically, allows for easy external filtering.

The MCP1256/7 provide a unique SLEEP mode feature which reduces the current drawn from the input supply while maintaining a regulated bias on external peripherals. SLEEP mode can substantially increase battery run-time in portable applications.

The MCP1258/9 provide a unique BYPASS mode feature which virtually eliminates the current drawn from the input supply by the device while maintaining an unregulated bias on external peripherals. BYPASS connects the input supply voltage to the output. All remaining functions of the device are shutdown. BYPASS mode can substantially increase battery run-time in portable applications.

The devices supply up to 100 mA of output current for input voltages, V_{IN} , greater than or equal to 2.2V. The devices are available in small 10-Pin MSOP or DFN packages with an operating junction temperature range of $-40^{\circ}C$ to $+125^{\circ}C$.

4.1 Theory of Operation

The MCP1256/7/8/9 devices employ a switched capacitor charge pump to boost an input supply, V_{IN} , to a regulated 3.3V output voltage. Referring to the Functional Block Diagram, the devices perform conversion and regulation in two phases: charge and transfer. When the devices are not in shutdown, SLEEP or BYPASS, the two phases are continuously cycled through.

Charge transfers charge from the input supply to the flying capacitors, C_1 and C_2 , connected to pins C_{1+} , C_{1-} , C_{2+} and C_{2-} , respectively. During this phase, switches S4 and S6 are closed. Switch S2 controls the amount of charge transferred to the flying capacitors. The amount of charge is determined by a sample and hold error amplifier with feedback from the output voltage at the beginning of the phase.

Once the first phase (charge) is complete, transfer is initiated. The second phase transfers the energy from the flying capacitors to the output. The MCP1256/7/8/9 devices autonomously switch between 1.5x mode and 2x mode. This determines whether the flying capacitors are placed in parallel (1.5x mode), or remain in series

(2x mode), when the energy is transferred to the output. The transfer mode determines which switches are closed for the transfer.

Both phases occur in one clock period of the internal oscillator. When the second phase (transfer) has been completed, the cycle repeats.

4.2 Power Efficiency

The power efficiency, η , is determined by the mode of operation, 1.5x mode or 2x mode. Equation 4-1 and Equation 4-2 are used to approximate the power efficiency with any significant amount of output current. At light loads, the device quiescent current must be taken into consideration.

EQUATION 4-1:

$$\eta_{1.5x} = \frac{P_{OUT}}{P_{IN}} = \frac{V_{OUT} \times I_{OUT}}{V_{IN} \times 1.5 \times I_{OUT}} = \frac{V_{OUT}}{V_{IN} \times 1.5}$$

EQUATION 4-2:

$$\eta_{2x} = \frac{P_{OUT}}{P_{IN}} = \frac{V_{OUT} \times I_{OUT}}{V_{IN} \times 2 \times I_{OUT}} = \frac{V_{OUT}}{V_{IN} \times 2}$$

4.3 Shutdown Mode (\overline{SHDN})

Driving \overline{SHDN} low places the MCP1256/7/8/9 in a low-power Shutdown mode. This disables the charge-pump switches, oscillator and control logic, reducing the quiescent current to 0.25 μA (typical). The PGOOD output and LBO are in a high impedance state during shutdown.

4.4 SLEEP Mode (\overline{SLEEP})

The MCP1256/7 provide a unique SLEEP mode feature. SLEEP mode reduces the current drawn from the input supply while maintaining a regulated bias on external peripherals. SLEEP mode can substantially increase battery run-time in portable applications.

The regulation control is referred to as a bang-bang control due to the output being regulated around a fixed reference with some hysteresis. As a result, some amount of peak-to-peak ripple will be observed at the output independent of load current. The frequency of the output ripple, however, will be influenced heavily by the load current and output capacitance.

4.5 BYPASS Mode (\overline{BYPASS})

The MCP1258/9 provide a unique BYPASS mode feature which virtually eliminates the current drawn from the input supply by the device, while maintaining an unregulated bias on external peripherals. BYPASS connects the input supply voltage to the output. All remaining functions of the device are shutdown. BYPASS mode can substantially increase battery run-time in portable applications.

4.6 Power-Good Output (PGOOD)

For the MCP1256/8 devices, the PGOOD output is an open-drain output that sinks current when the regulator output voltage falls below $0.93V_{OUT}$ (typical). If the regulator output voltage falls below $0.93V_{OUT}$ (typical) for less than 200 μ s and then recovers, glitch immunity circuits prevent the PGOOD signal from transitioning low. A 10 k Ω to 1 M Ω pull-up resistor from PGOOD to V_{OUT} may be used to provide a logic output. If not used, connect PGOOD to GND or leave unconnected.

PGOOD is high impedance when the output voltage is in regulation. A logic low is asserted when the output falls 7% (typical) below the nominal value. The PGOOD output remains low until V_{OUT} is within 3% (typical) of its nominal value. On start-up, this pin indicates when the output voltage reaches its final value. PGOOD is high impedance when SHDN is low or when BYPASS is low (MCP1258).

4.7 Low-Battery Output (\overline{LBO})

For the MCP1257/9 devices, the \overline{LBO} output is an open-drain output that sinks current when the input voltage falls below a preset threshold. If the input voltage falls below the preset threshold for less than 200 μ s and then recovers, glitch immunity circuits prevent the \overline{LBO} signal from transitioning low. A 10 k Ω to 1 M Ω pull-up resistor from \overline{LBO} to V_{OUT} may be used to provide a logic output. If not used, connect \overline{LBO} to GND or leave unconnected.

\overline{LBO} is high impedance when the input voltage is above the low-battery threshold voltage. A logic low is asserted when the input falls below the low-battery threshold voltage. The \overline{LBO} output remains low until V_{IN} is above the low-battery threshold voltage plus the low-battery hysteresis voltage. \overline{LBO} is high impedance when SHDN is low or when BYPASS is low (MCP1259).

4.8 Soft-Start and Short-Circuit Protection

The MCP1256/7/8/9 devices feature fold back short-circuit protection. This circuitry provides an internal soft-start function by limiting inrush current during startup and also limits the output current to 150 mA (typical), if the output is short-circuited to GND. The internal soft-start circuitry requires approximately 175 μ s, typical, from either initial power-up, release from Shutdown, or release from BYPASS (MCP1258/9) for the output voltage to be in regulation.

4.9 Thermal Shutdown

The MCP1256/7/8/9 devices feature thermal shutdown with temperature hysteresis. When the die temperature exceeds 160°C, the device shuts down. When the die cools by 15°C, the MCP1256/7/8/9 automatically turns back on again. If high die temperature is caused by output overload and the load is not removed, the device will turn on and off resulting in a pulsed output.

5.0 APPLICATIONS

5.1 Capacitor Selection

The style and value of capacitors used with the MCP1256/7/8/9 family determine several important parameters, such as output voltage ripple and charge pump strength. To minimize noise and ripple, it is recommended that low ESR (0.1 Ω) capacitors be used for both C_{IN} and C_{OUT} . These capacitors should be ceramic and should be 10 μ F or higher for optimum performance.

If the source impedance to V_{IN} is very low, up to several megahertz, C_{IN} may not be required. Alternatively, a somewhat smaller value of C_{IN} may be substituted for the recommended 10 μ F, but will not be as effective in preventing ripple on the V_{IN} pin.

The value of C_{OUT} controls the amount of output voltage ripple present on V_{OUT} . Increasing the size of C_{OUT} will reduce output ripple at the expense of a slower turn-on time from shutdown and a higher inrush current.

The flying capacitors (C_1 and C_2) control the strength of the charge pump and in order to achieve the maximum rated output current (100 mA), it is necessary to have at least 1 μ F of capacitance for the flying capacitor. A smaller flying capacitor delivers less charge per clock cycle to the output capacitor resulting in lower available output current.

5.2 PCB Layout Issues

The MCP1256/7/8/9 devices transfer charge at high switching frequencies producing fast, high peak, transient currents. As a result, any stray inductance in the component layout will produce unwanted noise in the system. Proper board layout techniques are required to ensure optimum performance.

MCP1256/7/8/9

6.0 TYPICAL APPLICATION CIRCUITS

The MCP1256/7/8/9 devices are inductorless, positive regulated, switched capacitor DC/DC converters. Typical application circuits are depicted in Figure 6-1.

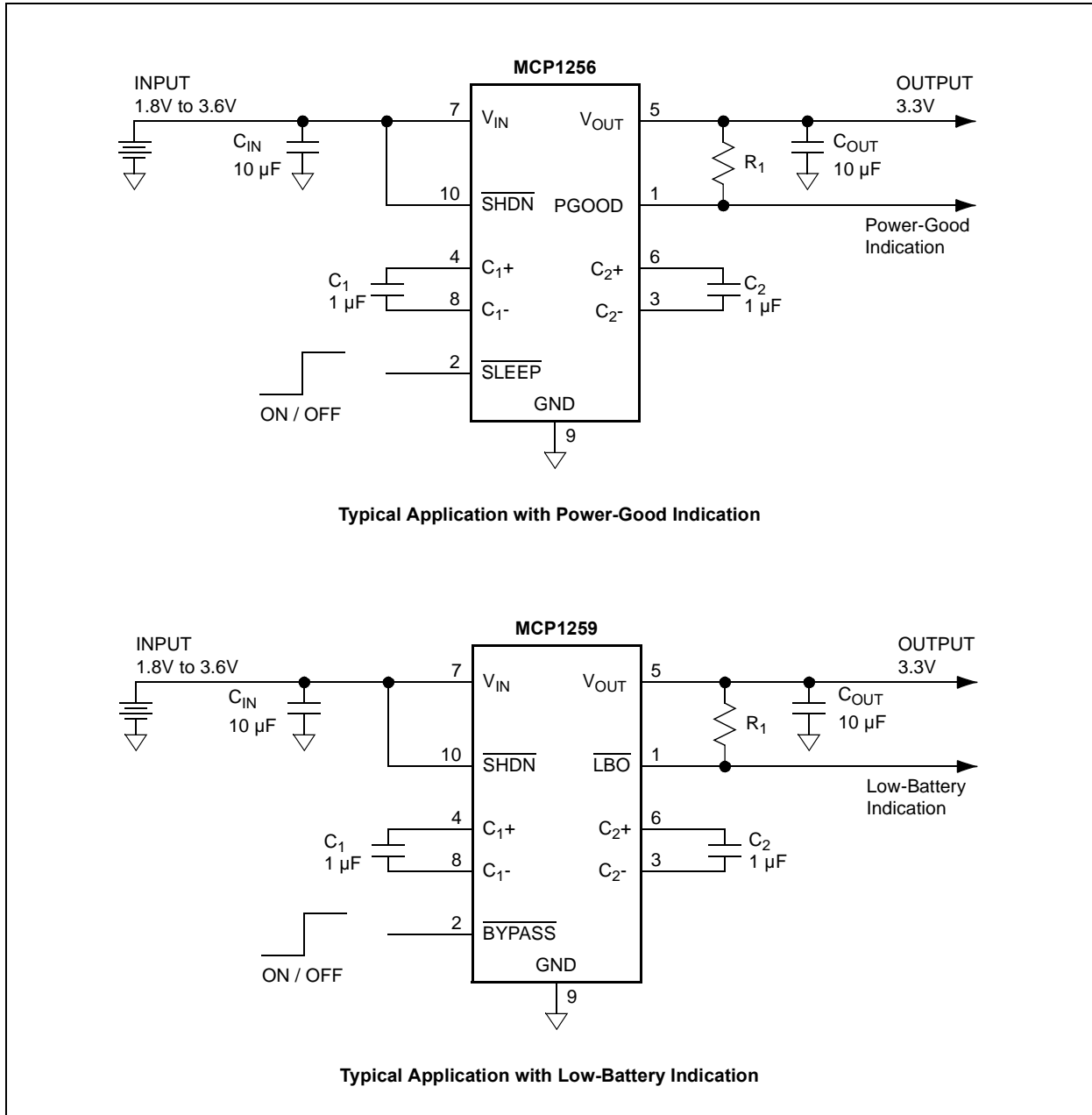


FIGURE 6-1: Typical Application Circuits.

7.0 PACKAGING INFORMATION

7.1 Package Marking Information

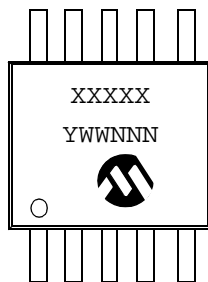
10-Lead DFN

①		⑩
②	XXXXX	⑨
③	XYWW	⑧
④	NNN	⑦
⑤		⑥

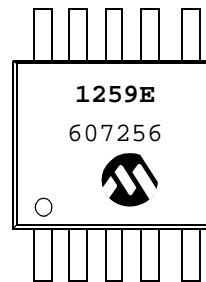
Example:

①		⑩
②	1256	⑨
③	E607	⑧
④	256	⑦
⑤		⑥

10-Lead MSOP



Example:



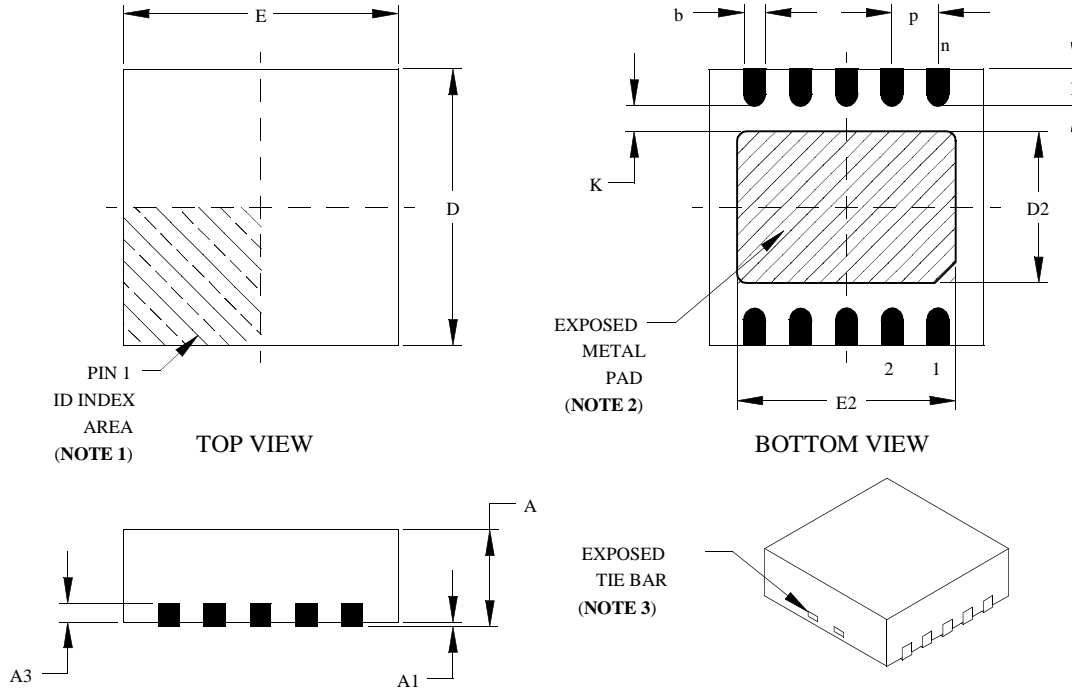
Legend:	XX...X	Customer-specific information
	Y	Year code (last digit of calendar year)
	YY	Year code (last 2 digits of calendar year)
	WW	Week code (week of January 1 is week '01')
	NNN	Alphanumeric traceability code
	ⓔ3	Pb-free JEDEC designator for Matte Tin (Sn)
	*	This package is Pb-free. The Pb-free JEDEC designator (ⓔ3) can be found on the outer packaging for this package.

Note: In the event the full Microchip part number cannot be marked on one line, it will be carried over to the next line, thus limiting the number of available characters for customer-specific information.

MCP1256/7/8/9

10-Lead Plastic Dual-Flat No-Lead Package (MF) 3x3x0.9 mm Body (DFN) – Saw Singulated

Note: For the most current package drawings, please see the Microchip Packaging Specification located at <http://www.microchip.com/packaging>



Units		INCHES			MILLIMETERS*		
Dimension Limits		MIN	NOM	MAX	MIN	NOM	MAX
Number of Pins	n	10			10		
Pitch	e	.020 BSC			0.50 BSC		
Overall Height	A	.031	.035	.039	0.80	0.90	1.00
Standoff	A1	.000	.001	.002	0.00	0.02	0.05
Lead Thickness	A3	.008 REF.			0.20 REF.		
Overall Length	E	.112	.118	.124	2.85	3.00	3.15
Exposed Pad Length (Note 3)	E2	.082	.094	.096	2.08	2.39	2.45
Overall Width	D	.112	.118	.124	2.85	3.00	3.15
Exposed Pad Width (Note 3)	D2	.051	.065	.067	1.30	1.65	1.70
Lead Width	b	.008	.010	.015	0.18	0.25	0.30
Contact Length §	L	.012	.016	.020	0.30	0.40	0.50
Contact-to-Exposed Pad §	K	.008	—	—	0.20	—	—

* Controlling Parameter
 § Significant Characteristic
Notes:

- Pin 1 visual index feature may vary, but must be located within the hatched area.
- Exposed pad varies according to die attach paddle size.
- Package may have one or more exposed tie bars at ends.

BSC: Basic Dimension. Theoretically exact value shown without tolerances.

See ASME Y14.5M

REF: Reference Dimension, usually without tolerance, for information purposes only.

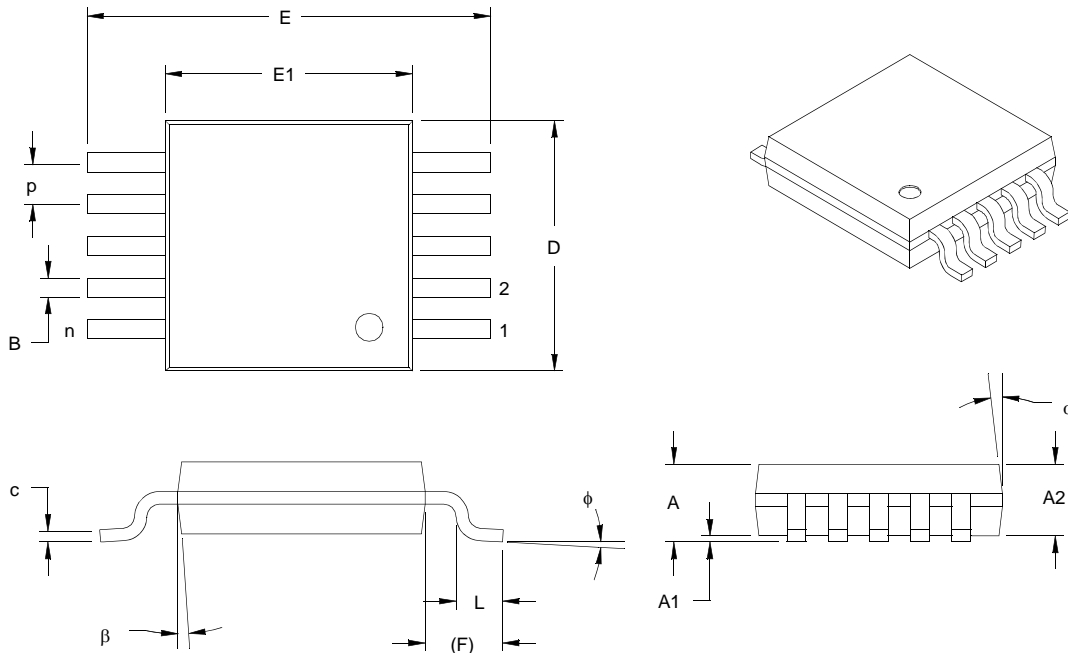
See ASME Y14.5M

JEDEC equivalent: Not Registered
 Drawing No. C04-063

Revised 09-12-05

10-Lead Plastic Micro Small Outline Package (UN) (MSOP)

Note: For the most current package drawings, please see the Microchip Packaging Specification located at <http://www.microchip.com/packageing>



Dimension Limits	Units	INCHES			MILLIMETERS*		
		MIN	NOM	MAX	MIN	NOM	MAX
Number of Pins	n		10			10	
Pitch	P	.020 BSC			0.50 BSC		
Overall Height	A			.043	–	–	1.10
Molded Package Thickness	A2	.030	.033	.037	0.75	0.85	0.95
Standoff	A1	.000		.006	0.00		0.15
Overall Width	E	.193 BSC			4.90 BSC		
Molded Package Width	E1	.118 BSC			3.00 BSC		
Overall Length	D	.118 BSC			3.00 BSC		
Foot Length	L	.016	.024	.031	0.40	0.60	0.80
Footprint	F	.037 REF			0.95 REF		
Foot Angle	ϕ	0°	–	8°	0°	–	8°
Lead Thickness	c	.003	–	.009	0.08	–	0.23
Lead Width	B	.006	.009	.012	0.15	0.23	0.30
Mold Draft Angle Top	α	5°	–	15°	5°	–	15°
Mold Draft Angle Bottom	β	5°	–	15°	5°	–	15°

* Controlling Parameter

Notes:

Dimensions D and E1 do not include mold flash or protrusions. Mold flash or protrusions shall not exceed .010" (0.254 mm) per side.

BSC: Basic Dimension. Theoretically exact value shown without tolerances.

See ASME Y14.5M

REF: Reference Dimension, usually without tolerance, for information purposes only.

See ASME Y14.5M

JEDEC Equivalent: MO-187 BA

Drawing No. C04-021

Revised 09-16-05

MCP1256/7/8/9

NOTES:

APPENDIX A: REVISION HISTORY

Revision A (March 2006)

- Original Release of this Document.

Revision B (January 2013)

Added a note to each package outline drawing.

MCP1256/7/8/9

NOTES:

PRODUCT IDENTIFICATION SYSTEM

To order or obtain information, e.g., on pricing or delivery, refer to the factory or the listed sales office.

<u>PART NO.</u>	<u>X</u>	<u>/XX</u>	Examples:
Device	Temperature Range	Package	
Device	MCP1256:	Positive Regulated Charge Pump with SLEEP Mode and Power-Good Indication	a) MCP1256-EMF: E-Temp, DFN package
	MCP1256T:	Positive Regulated Charge Pump with SLEEP Mode and Power-Good Indication, Tape and Reel	b) MCP1256T-EMF: Tape and Reel, E-Temp, DFN package
	MCP1257:	Positive Regulated Charge Pump with SLEEP Mode and Low-Battery Indication	c) MCP1256-EUN: E-Temp, MSOP package
	MCP1257T:	Positive Regulated Charge Pump with SLEEP Mode and Low-Battery Indication, Tape and Reel	d) MCP1256T-EUN: Tape and Reel, E-Temp, MSOP package
	MCP1258:	Positive Regulated Charge Pump with BYPASS Mode and Power-Good Indication	a) MCP1257-EMF: E-Temp, DFN package
	MCP1258T:	Positive Regulated Charge Pump with BYPASS Mode and Power-Good Indication, Tape and Reel	b) MCP1257T-EMF: Tape and Reel, E-Temp, DFN package
	MCP1259:	Positive Regulated Charge Pump with BYPASS Mode and Low-Battery Indication	c) MCP1257-EUN: E-Temp, MSOP package
	MCP1259T:	Positive Regulated Charge Pump with BYPASS Mode and Low -Battery Indication, Tape and Reel	d) MCP1257T-EUN: Tape and Reel, E-Temp, MSOP package
Temperature Range	E = -40°C to +125°C		a) MCP1258-EMF: E-Temp, DFN package
Package	MF = Dual Flat, No Lead (3x3 mm body), 10-Lead		b) MCP1258T-EMF: Tape and Reel, E-Temp, DFN package
	UN = Plastic Micro Small Outline (MSOP), 10-Lead		c) MCP1258-EUN: E-Temp, MSOP package
			d) MCP1258T-EUN: Tape and Reel, E-Temp, MSOP package
			a) MCP1259-EMF: E-Temp, DFN package
			b) MCP1259T-EMF: Tape and Reel, E-Temp, DFN package
			c) MCP1259-EUN: E-Temp, MSOP package
			d) MCP1259T-EUN: Tape and Reel, E-Temp, MSOP package

MCP1256/7/8/9

NOTES:

Note the following details of the code protection feature on Microchip devices:

- Microchip products meet the specification contained in their particular Microchip Data Sheet.
- Microchip believes that its family of products is one of the most secure families of its kind on the market today, when used in the intended manner and under normal conditions.
- There are dishonest and possibly illegal methods used to breach the code protection feature. All of these methods, to our knowledge, require using the Microchip products in a manner outside the operating specifications contained in Microchip's Data Sheets. Most likely, the person doing so is engaged in theft of intellectual property.
- Microchip is willing to work with the customer who is concerned about the integrity of their code.
- Neither Microchip nor any other semiconductor manufacturer can guarantee the security of their code. Code protection does not mean that we are guaranteeing the product as “unbreakable.”

Code protection is constantly evolving. We at Microchip are committed to continuously improving the code protection features of our products. Attempts to break Microchip's code protection feature may be a violation of the Digital Millennium Copyright Act. If such acts allow unauthorized access to your software or other copyrighted work, you may have a right to sue for relief under that Act.

Information contained in this publication regarding device applications and the like is provided only for your convenience and may be superseded by updates. It is your responsibility to ensure that your application meets with your specifications. MICROCHIP MAKES NO REPRESENTATIONS OR WARRANTIES OF ANY KIND WHETHER EXPRESS OR IMPLIED, WRITTEN OR ORAL, STATUTORY OR OTHERWISE, RELATED TO THE INFORMATION, INCLUDING BUT NOT LIMITED TO ITS CONDITION, QUALITY, PERFORMANCE, MERCHANTABILITY OR FITNESS FOR PURPOSE. Microchip disclaims all liability arising from this information and its use. Use of Microchip devices in life support and/or safety applications is entirely at the buyer's risk, and the buyer agrees to defend, indemnify and hold harmless Microchip from any and all damages, claims, suits, or expenses resulting from such use. No licenses are conveyed, implicitly or otherwise, under any Microchip intellectual property rights.

Trademarks

The Microchip name and logo, the Microchip logo, dsPIC, FlashFlex, KEELOQ, KEELOQ logo, MPLAB, PIC, PICmicro, PICSTART, PIC³² logo, rPIC, SST, SST Logo, SuperFlash and UNI/O are registered trademarks of Microchip Technology Incorporated in the U.S.A. and other countries.

FilterLab, Hampshire, HI-TECH C, Linear Active Thermistor, MTP, SEEVAL and The Embedded Control Solutions Company are registered trademarks of Microchip Technology Incorporated in the U.S.A.

Silicon Storage Technology is a registered trademark of Microchip Technology Inc. in other countries.


Analog-for-the-Digital Age, Application Maestro, BodyCom, chipKIT, chipKIT logo, CodeGuard, dsPICDEM, dsPICDEM.net, dsPICworks, dsSPEAK, ECAN, ECONOMONITOR, FanSense, HI-TIDE, In-Circuit Serial Programming, ICSP, Mindi, MiWi, MPASM, MPF, MPLAB Certified logo, MPLIB, MPLINK, mTouch, Omniclient Code Generation, PICC, PICC-18, PICDEM, PICDEM.net, PICkit, PICtail, REAL ICE, rLAB, Select Mode, SQI, Serial Quad I/O, Total Endurance, TSHARC, UniWinDriver, WiperLock, ZENA and Z-Scale are trademarks of Microchip Technology Incorporated in the U.S.A. and other countries.

SQTP is a service mark of Microchip Technology Incorporated in the U.S.A.

GestIC and ULPP are registered trademarks of Microchip Technology Germany II GmbH & Co. & KG, a subsidiary of Microchip Technology Inc., in other countries.

All other trademarks mentioned herein are property of their respective companies.

© 2006-2013, Microchip Technology Incorporated, Printed in the U.S.A., All Rights Reserved.

 Printed on recycled paper.

ISBN: 9781620769249

QUALITY MANAGEMENT SYSTEM
CERTIFIED BY DNV
== ISO/TS 16949 ==

Microchip received ISO/TS-16949:2009 certification for its worldwide headquarters, design and wafer fabrication facilities in Chandler and Tempe, Arizona; Gresham, Oregon and design centers in California and India. The Company's quality system processes and procedures are for its PIC[®] MCUs and dsPIC[®] DSCs, KEELOQ[®] code hopping devices, Serial EEPROMs, microperipherals, nonvolatile memory and analog products. In addition, Microchip's quality system for the design and manufacture of development systems is ISO 9001:2000 certified.



MICROCHIP

Worldwide Sales and Service

AMERICAS

Corporate Office
2355 West Chandler Blvd.
Chandler, AZ 85224-6199
Tel: 480-792-7200
Fax: 480-792-7277
Technical Support:
<http://www.microchip.com/support>
Web Address:
www.microchip.com

Atlanta
Duluth, GA
Tel: 678-957-9614
Fax: 678-957-1455

Boston
Westborough, MA
Tel: 774-760-0087
Fax: 774-760-0088

Chicago
Itasca, IL
Tel: 630-285-0071
Fax: 630-285-0075

Cleveland
Independence, OH
Tel: 216-447-0464
Fax: 216-447-0643

Dallas
Addison, TX
Tel: 972-818-7423
Fax: 972-818-2924

Detroit
Farmington Hills, MI
Tel: 248-538-2250
Fax: 248-538-2260

Indianapolis
Noblesville, IN
Tel: 317-773-8323
Fax: 317-773-5453

Los Angeles
Mission Viejo, CA
Tel: 949-462-9523
Fax: 949-462-9608

Santa Clara
Santa Clara, CA
Tel: 408-961-6444
Fax: 408-961-6445

Toronto
Mississauga, Ontario,
Canada
Tel: 905-673-0699
Fax: 905-673-6509

ASIA/PACIFIC

Asia Pacific Office
Suites 3707-14, 37th Floor
Tower 6, The Gateway
Harbour City, Kowloon
Hong Kong
Tel: 852-2401-1200
Fax: 852-2401-3431

Australia - Sydney
Tel: 61-2-9868-6733
Fax: 61-2-9868-6755

China - Beijing
Tel: 86-10-8569-7000
Fax: 86-10-8528-2104

China - Chengdu
Tel: 86-28-8665-5511
Fax: 86-28-8665-7889

China - Chongqing
Tel: 86-23-8980-9588
Fax: 86-23-8980-9500

China - Hangzhou
Tel: 86-571-2819-3187
Fax: 86-571-2819-3189

China - Hong Kong SAR
Tel: 852-2943-5100
Fax: 852-2401-3431

China - Nanjing
Tel: 86-25-8473-2460
Fax: 86-25-8473-2470

China - Qingdao
Tel: 86-532-8502-7355
Fax: 86-532-8502-7205

China - Shanghai
Tel: 86-21-5407-5533
Fax: 86-21-5407-5066

China - Shenyang
Tel: 86-24-2334-2829
Fax: 86-24-2334-2393

China - Shenzhen
Tel: 86-755-8864-2200
Fax: 86-755-8203-1760

China - Wuhan
Tel: 86-27-5980-5300
Fax: 86-27-5980-5118

China - Xian
Tel: 86-29-8833-7252
Fax: 86-29-8833-7256

China - Xiamen
Tel: 86-592-2388138
Fax: 86-592-2388130

China - Zhuhai
Tel: 86-756-3210040
Fax: 86-756-3210049

ASIA/PACIFIC

India - Bangalore
Tel: 91-80-3090-4444
Fax: 91-80-3090-4123

India - New Delhi
Tel: 91-11-4160-8631
Fax: 91-11-4160-8632

India - Pune
Tel: 91-20-2566-1512
Fax: 91-20-2566-1513

Japan - Osaka
Tel: 81-6-6152-7160
Fax: 81-6-6152-9310

Japan - Tokyo
Tel: 81-3-6880-3770
Fax: 81-3-6880-3771

Korea - Daegu
Tel: 82-53-744-4301
Fax: 82-53-744-4302

Korea - Seoul
Tel: 82-2-554-7200
Fax: 82-2-558-5932 or
82-2-558-5934

Malaysia - Kuala Lumpur
Tel: 60-3-6201-9857
Fax: 60-3-6201-9859

Malaysia - Penang
Tel: 60-4-227-8870
Fax: 60-4-227-4068

Philippines - Manila
Tel: 63-2-634-9065
Fax: 63-2-634-9069

Singapore
Tel: 65-6334-8870
Fax: 65-6334-8850

Taiwan - Hsin Chu
Tel: 886-3-5778-366
Fax: 886-3-5770-955

Taiwan - Kaohsiung
Tel: 886-7-213-7828
Fax: 886-7-330-9305

Taiwan - Taipei
Tel: 886-2-2508-8600
Fax: 886-2-2508-0102

Thailand - Bangkok
Tel: 66-2-694-1351
Fax: 66-2-694-1350

EUROPE

Austria - Wels
Tel: 43-7242-2244-39
Fax: 43-7242-2244-393

Denmark - Copenhagen
Tel: 45-4450-2828
Fax: 45-4485-2829

France - Paris
Tel: 33-1-69-53-63-20
Fax: 33-1-69-30-90-79

Germany - Munich
Tel: 49-89-627-144-0
Fax: 49-89-627-144-44

Italy - Milan
Tel: 39-0331-742611
Fax: 39-0331-466781

Netherlands - Drunen
Tel: 31-416-690399
Fax: 31-416-690340

Spain - Madrid
Tel: 34-91-708-08-90
Fax: 34-91-708-08-91

UK - Wokingham
Tel: 44-118-921-5869
Fax: 44-118-921-5820

11/29/12



Компания «ЭлектроПласт» предлагает заключение долгосрочных отношений при поставках импортных электронных компонентов на взаимовыгодных условиях!

Наши преимущества:

- Оперативные поставки широкого спектра электронных компонентов отечественного и импортного производства напрямую от производителей и с крупнейших мировых складов;
- Поставка более 17-ти миллионов наименований электронных компонентов;
- Поставка сложных, дефицитных, либо снятых с производства позиций;
- Оперативные сроки поставки под заказ (от 5 рабочих дней);
- Экспресс доставка в любую точку России;
- Техническая поддержка проекта, помощь в подборе аналогов, поставка прототипов;
- Система менеджмента качества сертифицирована по Международному стандарту ISO 9001;
- Лицензия ФСБ на осуществление работ с использованием сведений, составляющих государственную тайну;
- Поставка специализированных компонентов (Xilinx, Altera, Analog Devices, Intersil, Interpoint, Microsemi, Aeroflex, Peregrine, Syfer, Eurofarad, Texas Instrument, Miteq, Cobham, E2V, MA-COM, Hittite, Mini-Circuits, General Dynamics и др.);

Помимо этого, одним из направлений компании «ЭлектроПласт» является направление «Источники питания». Мы предлагаем Вам помощь Конструкторского отдела:

- Подбор оптимального решения, техническое обоснование при выборе компонента;
- Подбор аналогов;
- Консультации по применению компонента;
- Поставка образцов и прототипов;
- Техническая поддержка проекта;
- Защита от снятия компонента с производства.



Как с нами связаться

Телефон: 8 (812) 309 58 32 (многоканальный)

Факс: 8 (812) 320-02-42

Электронная почта: org@eplast1.ru

Адрес: 198099, г. Санкт-Петербург, ул. Калинина, дом 2, корпус 4, литера А.