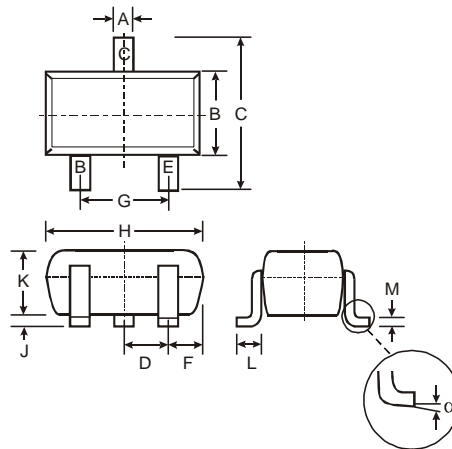


Features

- Ideally Suited for Automatic Insertion
- Complementary PNP Types Available (BC856W-BC858W)
- For Switching and AF Amplifier Applications
- **Lead Free/RoHS Compliant (Note 3)**
- "Green" Device (Note 4 and 5)

Mechanical Data

- Case: SOT-323
- Case Material: Molded Plastic, "Green" Molding Compound, Note 5. UL Flammability Classification Rating 94V-0
- Moisture Sensitivity: Level 1 per J-STD-020C
- Terminals: Solderable per MIL-STD-202, Method 208
- Lead Free Plating (Matte Tin Finish annealed over Alloy 42 leadframe).
- Pin Connections: See Diagram
- Marking Codes (See Table Below & Diagram on Page 3)
- Ordering & Date Code Information: See Page 3
- Weight: 0.006 grams (approximate)



SOT-323		
Dim	Min	Max
A	0.25	0.40
B	1.15	1.35
C	2.00	2.20
D	0.65 Nominal	
F	0.30	0.40
G	1.20	1.40
H	1.80	2.20
J	0.0	0.10
K	0.90	1.00
L	0.25	0.40
M	0.10	0.18
α	0°	8°

All Dimensions in mm

Marking Code (Note 2)			
Type	Marking	Type	Marking
BC846AW	K1Q	BC847CW	K1M
BC846BW	K1R	BC848AW	K1J, K1E, K1Q
BC847AW	K1E, K1Q	BC848BW	K1K, K1F, K1R
BC847BW	K1F, K1R	BC848CW	K1L, K1M

Maximum Ratings @ $T_A = 25^\circ\text{C}$ unless otherwise specified

Characteristic	Symbol	Value	Unit
Collector-Base Voltage	V_{CBO}	80	V
		50	
		30	
Collector-Emitter Voltage	V_{CEO}	65	V
		45	
		30	
Emitter-Base Voltage	V_{EBO}	6.0	V
		5.0	
Collector Current	I_C	100	mA
Peak Collector Current	I_{CM}	200	mA
Peak Emitter Current	I_{EM}	200	mA
Power Dissipation (Note 1)	P_d	200	mW
Thermal Resistance, Junction to Ambient (Note 1)	$R_{\theta JA}$	625	$^\circ\text{C/W}$
Operating and Storage Temperature Range	T_j, T_{STG}	-65 to +150	$^\circ\text{C}$

- Notes:
1. Device mounted on FR-4 PCB, 1 inch x 0.85 inch x 0.062 inch; pad layout as shown on Diodes Inc. suggested pad layout document AP02001, which can be found on our website at <http://www.diodes.com/datasheets/ap02001.pdf>.
 2. Current gain subgroup "C" is not available for BC846W.
 3. No purposefully added lead.
 4. Diodes Inc.'s "Green" policy can be found on our website at http://www.diodes.com/products/lead_free/index.php.
 5. Product manufactured with Date Code 0627 (week 27, 2006) and newer are built with Green Molding Compound. Product manufactured prior to Date Code 0627 are built with Non-Green Molding Compound and may contain Halogens or Sb2O3 Fire Retardants.

Electrical Characteristics @T_A = 25°C unless otherwise specified

Characteristic	Symbol	Min	Typ	Max	Unit	Test Condition
Collector-Base Breakdown Voltage (Note 6)	BC846 BC847 BC848	V _{(BR)CBO}	80 50 30	— — —	— — —	V I _C = 10μA, I _B = 0
Collector-Emitter Breakdown Voltage (Note 6)	BC846 BC847 BC848	V _{(BR)CEO}	65 45 30	— — —	— — —	V I _C = 10mA, I _B = 0
Emitter-Base Breakdown Voltage (Note 6)	BC846, BC847 BC848	V _{(BR)EBO}	6 5	— —	— —	V I _E = 1μA, I _C = 0
DC Current Gain	Current Gain Group A B C (Note 6)	h _{FE}	110 200 420	180 290 520	220 450 800	— V _{CE} = 5.0V, I _C = 2.0mA
Collector-Emitter Saturation Voltage (Note 6)		V _{CE(SAT)}	—	90 200	250 600	mV I _C = 10mA, I _B = 0.5mA I _C = 100mA, I _B = 5.0mA
Base-Emitter Saturation Voltage (Note 6)		V _{BE(SAT)}	—	700 900	—	mV I _C = 10mA, I _B = 0.5mA I _C = 100mA, I _B = 5.0mA
Base-Emitter Voltage (Note 6)		V _{BE(ON)}	580 —	660 —	700 770	mV V _{CE} = 5.0V, I _C = 2.0mA V _{CE} = 5.0V, I _C = 10mA
Collector-Cutoff Current (Note 6)		I _{CBO} I _{CBO}	— —	— —	15 5.0	nA μA V _{CB} = 30V V _{CB} = 30V, T _A = 150°C
Gain Bandwidth Product		f _T	100	300	—	MHz V _{CE} = 5.0V, I _C = 10mA, f = 100MHz
Collector-Base Capacitance		C _{CBO}	—	3.0	4.5	pF V _{CB} = 10V, f = 1.0MHz
Noise Figure		NF	—	—	10	dB V _{CE} = 5V, I _C = 200μA, R _S = 2.0kΩ, f = 1.0kHz, Δf = 200Hz

Notes: 6. Short duration pulse test used to minimize self-heating effect.

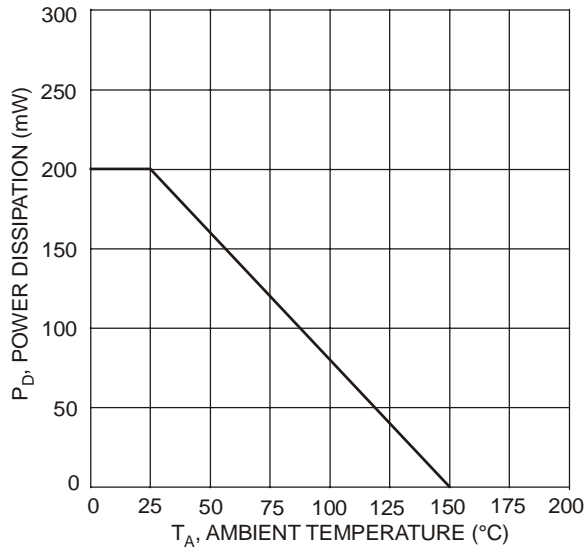


Fig. 1, Max Power Dissipation vs. Ambient Temperature

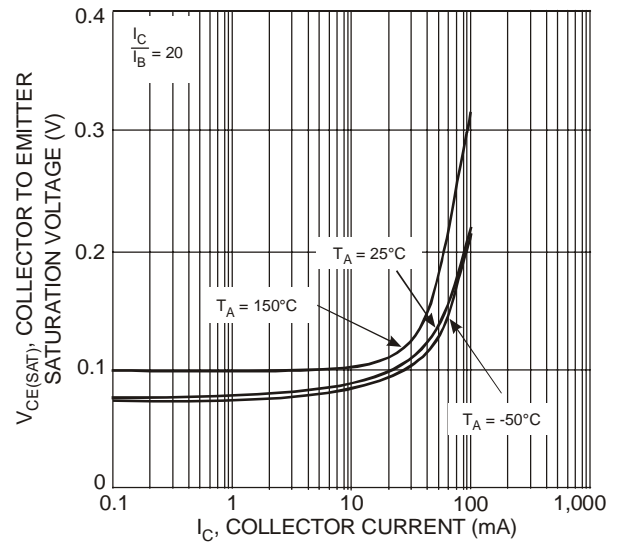


Fig. 2 Collector Emitter Saturation Voltage vs. Collector Current

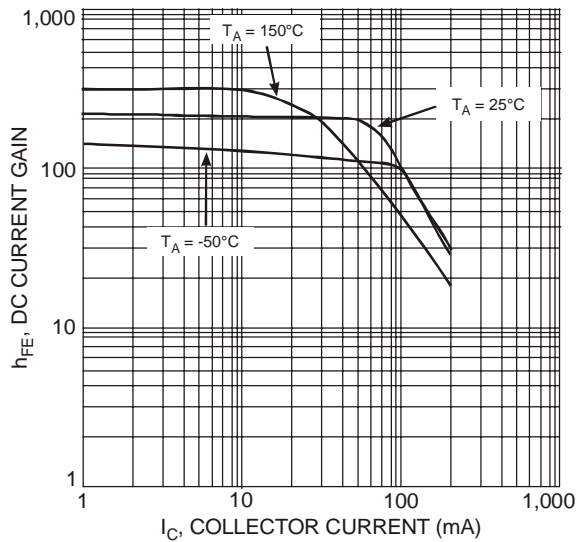


Fig. 3, DC Current Gain vs. Collector Current

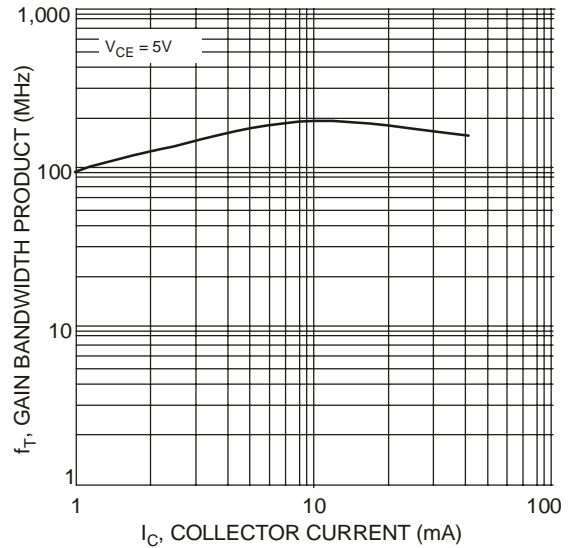


Fig. 4, Gain Bandwidth Product vs. Collector Current

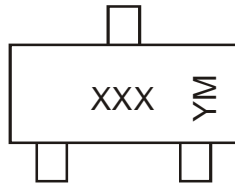
Ordering Information (Note 5 & 7)

Device	Packaging	Shipping
BC84xxW-7-F*	SOT-323	3000/Tape & Reel

*xx = device type, e.g. BC846AW-7.

Notes: 7. For packaging details, go to our website at <http://www.diodes.com/datasheets/ap02007.pdf>.

Marking Information



XXX = Product Type Marking Code (See Page 1), e.g. K1Q = BC846AW
 YM = Date Code Marking
 Y = Year ex: N = 2002
 M = Month ex: 9 = September

Date Code Key

Year	1998	1999	2000	2001	2002	2003	2004	2005	2006	2007	2008	2009	2010	2011	2012
Code	J	K	L	M	N	P	R	S	T	U	V	W	X	Y	Z

Month	Jan	Feb	Mar	Apr	May	Jun	Jul	Aug	Sep	Oct	Nov	Dec
Code	1	2	3	4	5	6	7	8	9	O	N	D

IMPORTANT NOTICE

Diodes Incorporated and its subsidiaries reserve the right to make modifications, enhancements, improvements, corrections or other changes without further notice to any product herein. Diodes Incorporated does not assume any liability arising out of the application or use of any product described herein; neither does it convey any license under its patent rights, nor the rights of others. The user of products in such applications shall assume all risks of such use and will agree to hold Diodes Incorporated and all the companies whose products are represented on our website, harmless against all damages.

LIFE SUPPORT

Diodes Incorporated products are not authorized for use as critical components in life support devices or systems without the expressed written approval of the President of Diodes Incorporated.



Компания «ЭлектроПласт» предлагает заключение долгосрочных отношений при поставках импортных электронных компонентов на взаимовыгодных условиях!

Наши преимущества:

- Оперативные поставки широкого спектра электронных компонентов отечественного и импортного производства напрямую от производителей и с крупнейших мировых складов;
- Поставка более 17-ти миллионов наименований электронных компонентов;
- Поставка сложных, дефицитных, либо снятых с производства позиций;
- Оперативные сроки поставки под заказ (от 5 рабочих дней);
- Экспресс доставка в любую точку России;
- Техническая поддержка проекта, помощь в подборе аналогов, поставка прототипов;
- Система менеджмента качества сертифицирована по Международному стандарту ISO 9001;
- Лицензия ФСБ на осуществление работ с использованием сведений, составляющих государственную тайну;
- Поставка специализированных компонентов (Xilinx, Altera, Analog Devices, Intersil, Interpoint, Microsemi, Aeroflex, Peregrine, Syfer, Eurofarad, Texas Instrument, Miteq, Cobham, E2V, MA-COM, Hittite, Mini-Circuits, General Dynamics и др.);

Помимо этого, одним из направлений компании «ЭлектроПласт» является направление «Источники питания». Мы предлагаем Вам помощь Конструкторского отдела:

- Подбор оптимального решения, техническое обоснование при выборе компонента;
- Подбор аналогов;
- Консультации по применению компонента;
- Поставка образцов и прототипов;
- Техническая поддержка проекта;
- Защита от снятия компонента с производства.



Как с нами связаться

Телефон: 8 (812) 309 58 32 (многоканальный)

Факс: 8 (812) 320-02-42

Электронная почта: org@eplast1.ru

Адрес: 198099, г. Санкт-Петербург, ул. Калинина, дом 2, корпус 4, литера А.