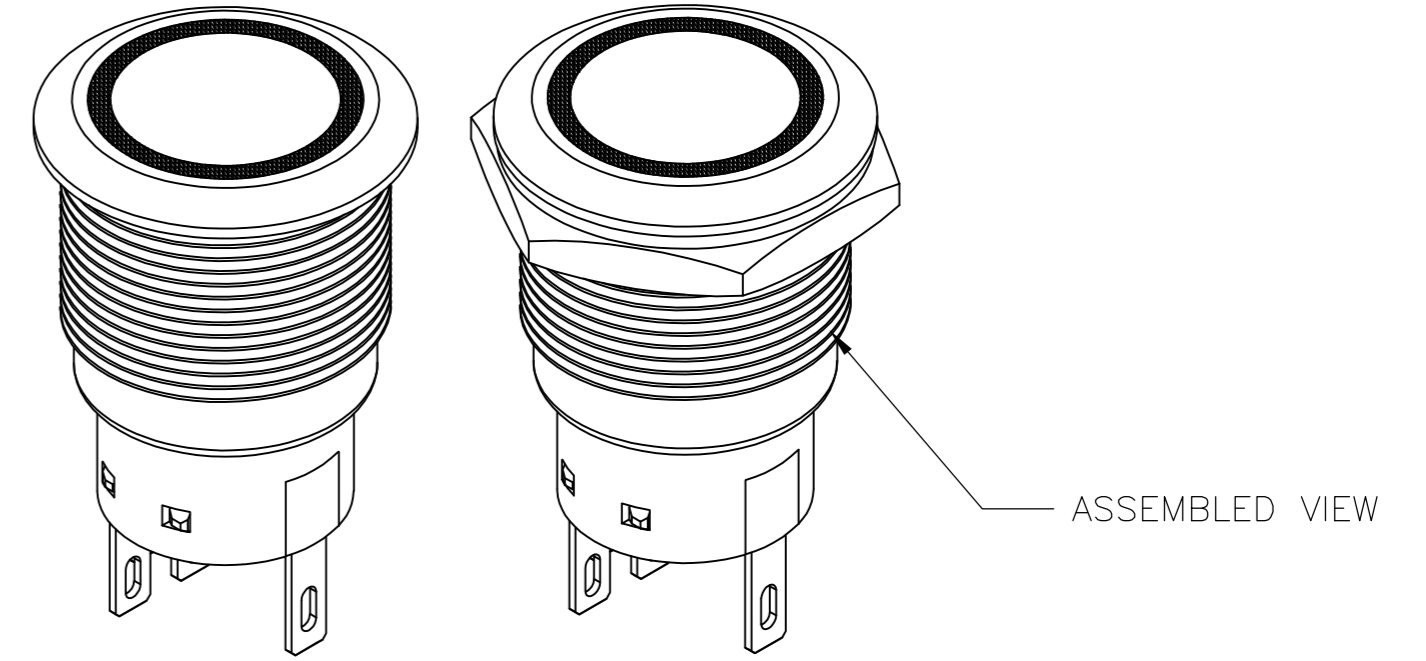
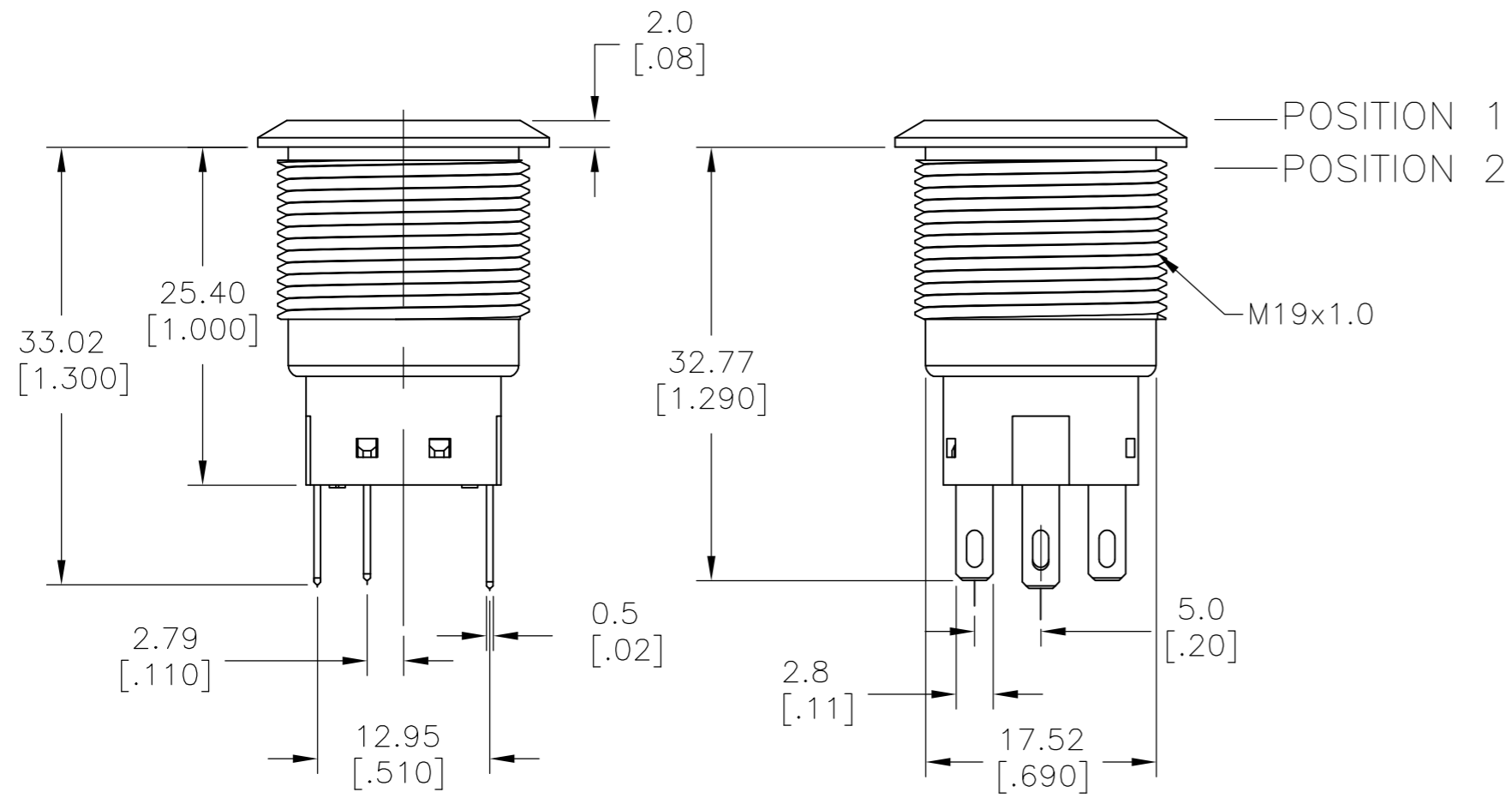


THIS DRAWING IS UNPUBLISHED. RELEASED FOR PUBLICATION
 © COPYRIGHT - By - ALL RIGHTS RESERVED.

| REVISIONS | | | | |
|-----------|-----|-------------|-----------|-------|
| P | LTR | DESCRIPTION | DATE | APVD |
| A | | NEW DRAWING | 06FEB2016 | NK RH |



SPECIFICATIONS

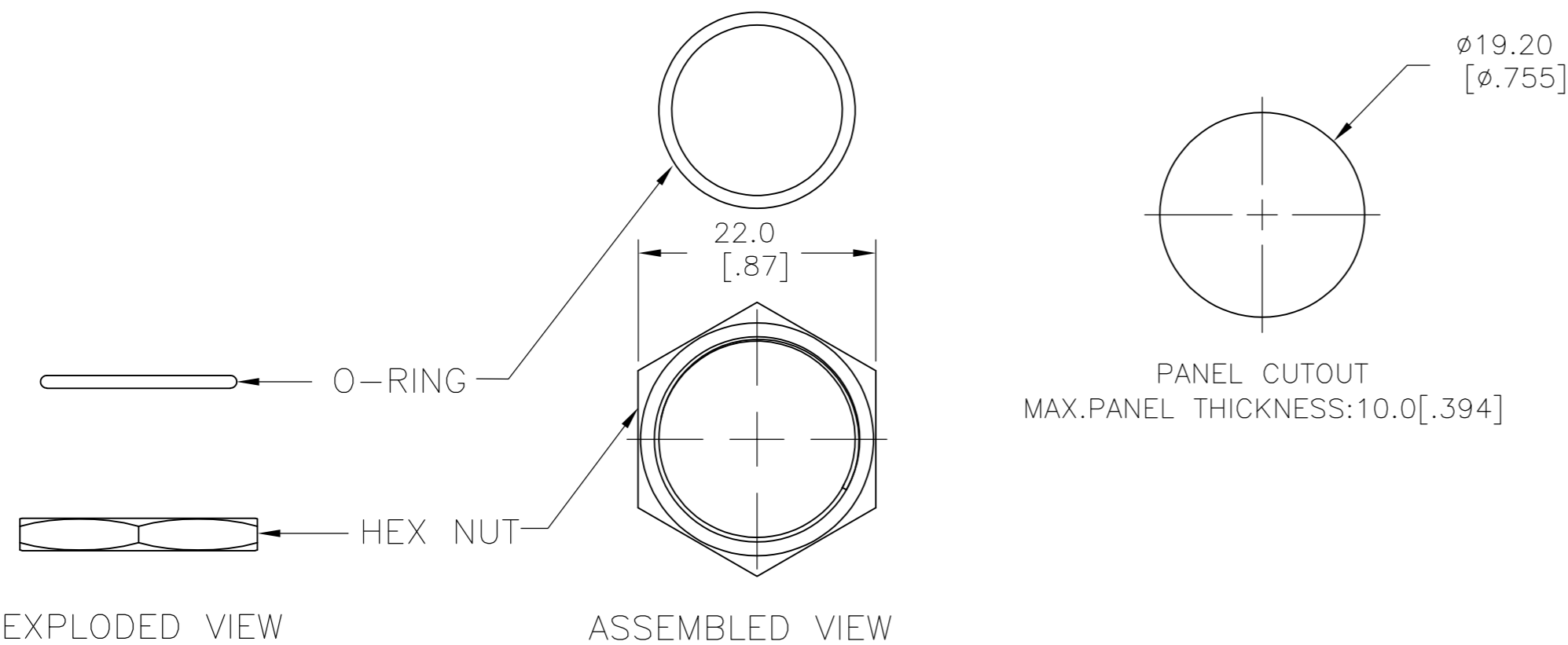
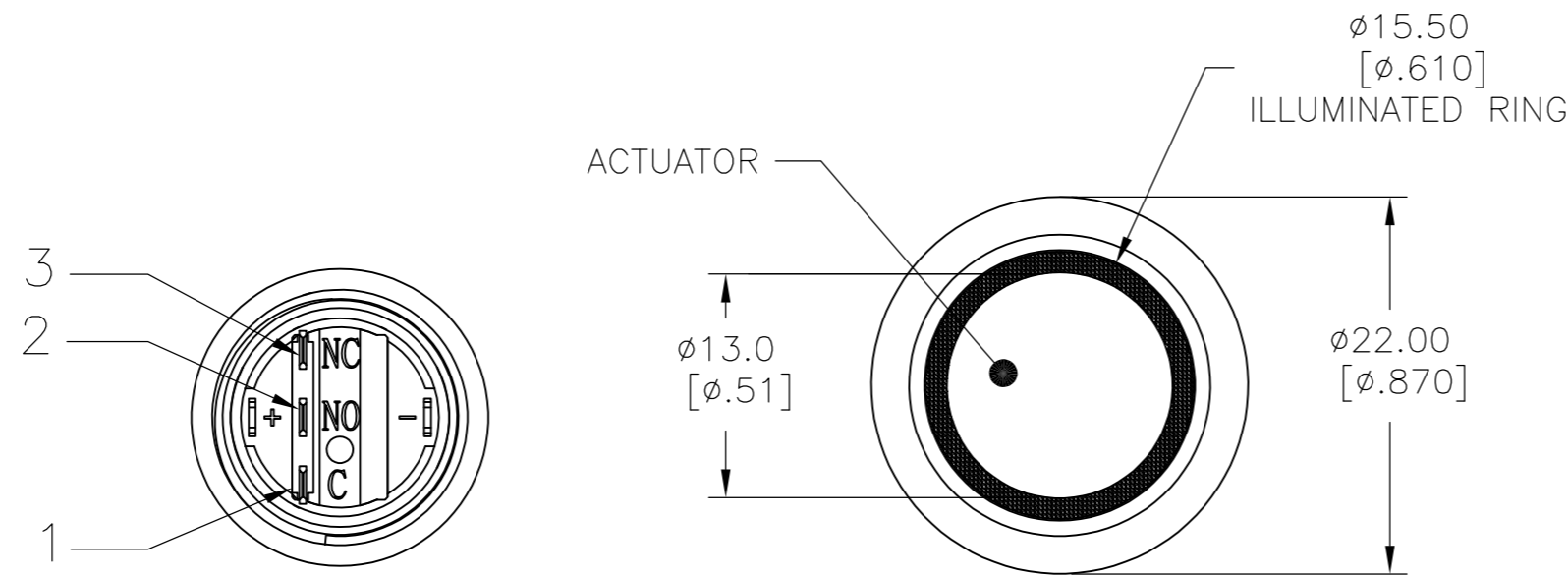
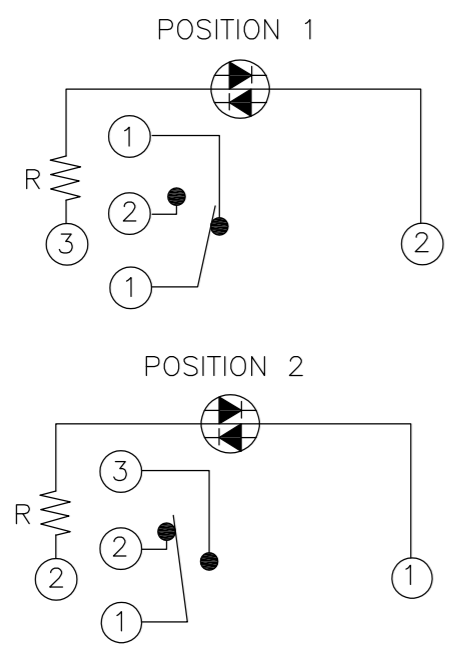
CONTACT RATING: SILVER: 3A @ 250 VAC RESISTIVE
 GOLD: 0.4VA @ 20VDC OR PEAK AC
 INSULATION RESISTANCE: 1,000MΩ MIN AT 500VDC
 DIELECTRIC STRENGTH: 2,000V RMS @ SEA LEVEL
 CONTACT RESISTANCE: 50 mΩ MAX @ 1A 12VDC (INITIAL VALUE)
 ELECTRICAL LIFECYCLES: 50,000 MAKE AND BREAK CYCLES AT FULL LOAD

ACTUATION FORCE: SP: 2.5±1 NEWTON, DP: 3.5±1 NEWTON
 ACTUATION TRAVEL: 3.2MM
 SEALED PER IP67, IK10 (STAINLESS)
 OPERATING TEMPERATURE: -20°C TO +55°C
 MECHANICAL LIFECYCLES: MOMENTARY: 1,000,000 CYCLES
 LOCKING: 500,000 CYCLES
 HARDWARE TORQUE: 5-14 N-m

MATERIALS

BUSHING: STAINLESS STEEL
 BASE: PBT (UL 94-V0), PC (UL 94-V2)
 ACTUATOR: STAINLESS STEEL, PC
 SEALING: O-RING (SILICONE)
 TERMINAL/CONTACT: COPPER BASE, SILVER/GOLD PLATED
 HEX NUT: BRASS BASE, NICKEL PLATED

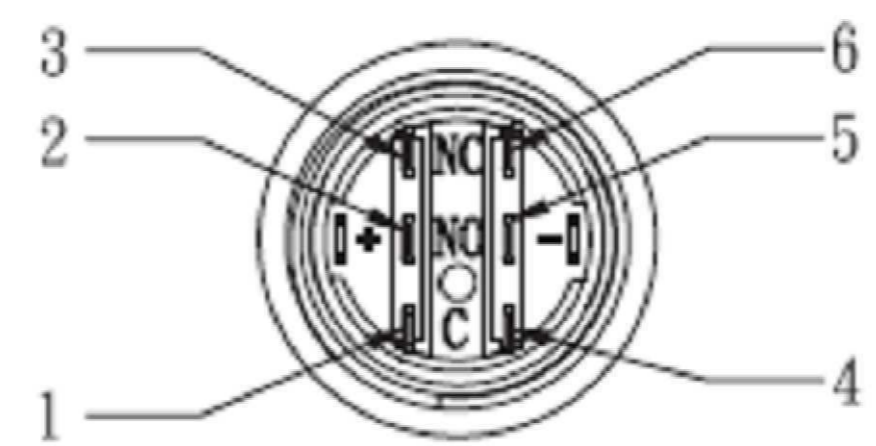
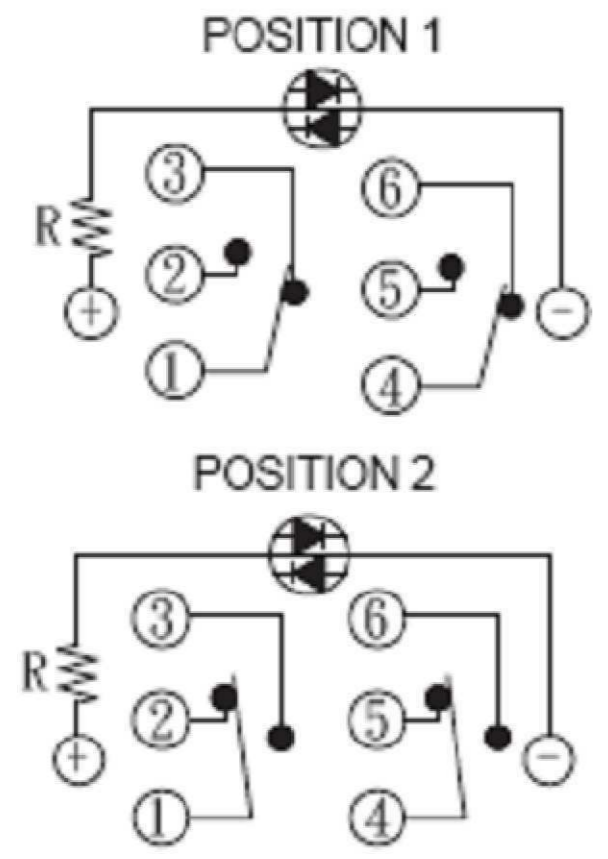
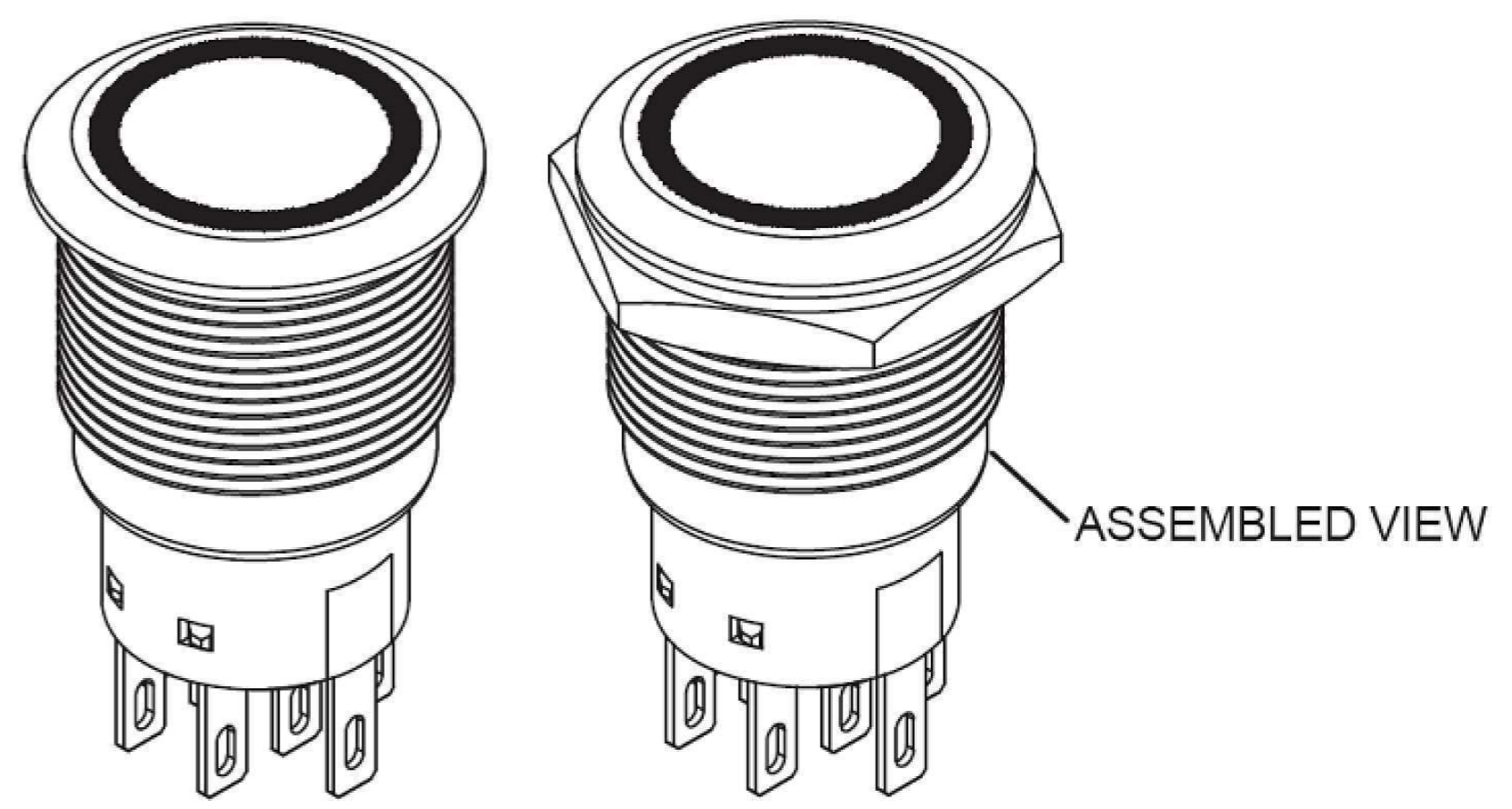
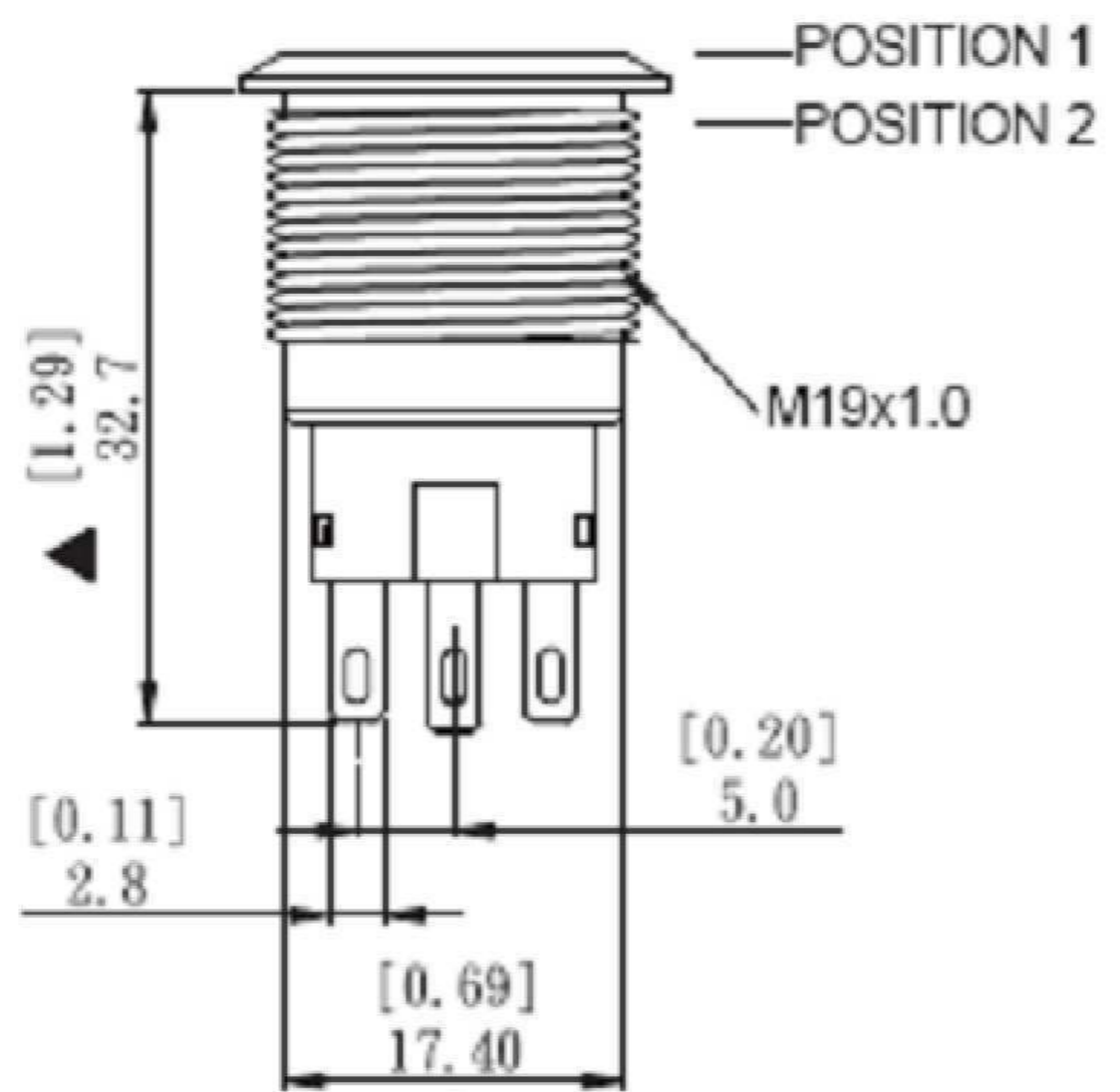
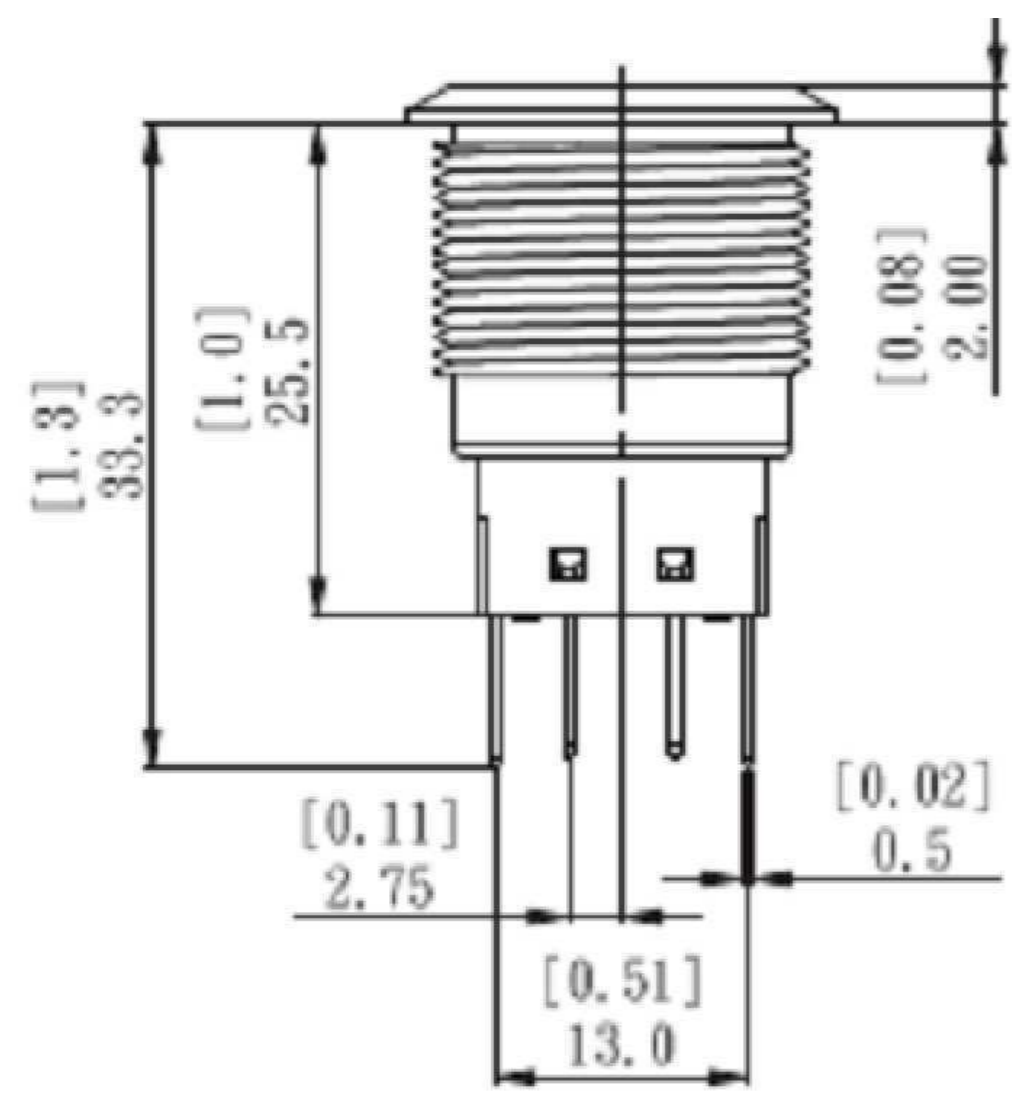
1 ALL MATERIAL AND FINISHES SHALL COMPLY WITH EU DIRECTIVE 2002/95/EC OF 27JAN2003 (ROHS)



| | | | | |
|--|--|--------------------------------|---|--|
| THIS DRAWING IS A CONTROLLED DOCUMENT. | | DWN 06FEB2016 NAGALAKSHMI K | STE TE Connectivity | |
| DIMENSIONS: mm [INCHES] | | CHK 06FEB2016 HILL RYAN | | |
| TOLERANCES UNLESS OTHERWISE SPECIFIED: | | APVD 06FEB2016 HILL RYAN | NAME ANTI-VANDAL SWITCH 19mm FIXED RING LED | |
| 0 PLC ± - | | PRODUCT SPEC | SIZE CAGE CODE DRAWING NO RESTRICTED TO | |
| 1 PLC ± - | | APPLICATION SPEC | A2 00779 C=2213764 - | |
| 2 PLC ± - | | | SCALE 1:1 SHEET 1 OF 4 REV A | |
| 3 PLC ± - | | | | |
| 4 PLC ± - | | | | |
| ANGLES ± - | | | | |
| FINISH | | WEIGHT - | | |
| MATERIAL - | | CUSTOMER DRAWING | | |

THIS DRAWING IS UNPUBLISHED. RELEASED FOR PUBLICATION
 © COPYRIGHT - By - ALL RIGHTS RESERVED.

| REVISIONS | | | | | |
|-----------|-----|-------------|------|-----|------|
| P | LTR | DESCRIPTION | DATE | DWN | APVD |
| - | - | SEE SHEET 1 | - | - | - |




| | | | | | | | | | | | | | | | | | | | | | | | | | | | | | | |
|---|--------|-----------------------------------|---|--------------|-----------------|----------|-----|---|---|---|-----|---|---|---|-----|---|---|---|-----|---|---|--|--------|---|---|----------------------------------|------------|--------------------|-------------------------|--------------------|
| THIS DRAWING IS A CONTROLLED DOCUMENT. | | DWN NAGALAKSHMI K 06FEB2016 | | | | | | | | | | | | | | | | | | | | | | | | | | | | |
| DIMENSIONS: mm [INCHES] | | CHK HILL RYAN 06FEB2016 | | | | | | | | | | | | | | | | | | | | | | | | | | | | |
| TOLERANCES UNLESS OTHERWISE SPECIFIED: | | APVD HILL RYAN 06FEB2016 | NAME ANTI-VANDAL SWITCH 19MM FIXED RING LED | | | | | | | | | | | | | | | | | | | | | | | | | | | |
| <table border="1"> <tr><td>0</td><td>PLC</td><td>±</td><td>-</td></tr> <tr><td>1</td><td>PLC</td><td>±</td><td>-</td></tr> <tr><td>2</td><td>PLC</td><td>±</td><td>-</td></tr> <tr><td>3</td><td>PLC</td><td>±</td><td>-</td></tr> <tr><td>4</td><td>PLC</td><td>±</td><td>-</td></tr> <tr><td></td><td>ANGLES</td><td>±</td><td>-</td></tr> </table> | | 0 | PLC | ± | - | 1 | PLC | ± | - | 2 | PLC | ± | - | 3 | PLC | ± | - | 4 | PLC | ± | - | | ANGLES | ± | - | PRODUCT SPEC APPLICATION SPEC | SIZE A2 | CAGE CODE 00779 | DRAWING NO C=2213764 | RESTRICTED TO - |
| 0 | PLC | ± | - | | | | | | | | | | | | | | | | | | | | | | | | | | | |
| 1 | PLC | ± | - | | | | | | | | | | | | | | | | | | | | | | | | | | | |
| 2 | PLC | ± | - | | | | | | | | | | | | | | | | | | | | | | | | | | | |
| 3 | PLC | ± | - | | | | | | | | | | | | | | | | | | | | | | | | | | | |
| 4 | PLC | ± | - | | | | | | | | | | | | | | | | | | | | | | | | | | | |
| | ANGLES | ± | - | | | | | | | | | | | | | | | | | | | | | | | | | | | |
| MATERIAL - | | FINISH - | WEIGHT - | SCALE 1:1 | SHEET 2 of 4 | REV A | | | | | | | | | | | | | | | | | | | | | | | | |
| CUSTOMER DRAWING | | | | | | | | | | | | | | | | | | | | | | | | | | | | | | |

THIS DRAWING IS UNPUBLISHED. RELEASED FOR PUBLICATION
 © COPYRIGHT - By - ALL RIGHTS RESERVED.

| REVISIONS | | | | | |
|-----------|-----|-------------|------|-----|------|
| P | LTR | DESCRIPTION | DATE | DWN | APVD |
| - | - | SEE SHEET 1 | - | - | - |


| POLE/THROW | CONTACT | LED COLOR | LED VOLTAGE | TE DESCRIPTIVE PN | TE PART NUMBER |
|-----------------------|---------|-----------|---------------|-------------------|----------------|
| SINGLE POLE-LOCKING | GOLD | BLUE | 24V | AV1911R724R04 | 4-2213764-0 |
| | SILVER | BLUE | 24V | AV1911R724Q04 | 3-2213764-9 |
| | GOLD | BLUE | 12V | AV1911R712R04 | 3-2213764-8 |
| | SILVER | BLUE | 12V | AV1911R712Q04 | 3-2213764-7 |
| | GOLD | GREEN | 24V | AV1911R624R04 | 3-2213764-6 |
| | SILVER | GREEN | 24V | AV1911R624Q04 | 3-2213764-5 |
| | GOLD | GREEN | 12V | AV1911R612R04 | 3-2213764-4 |
| | SILVER | GREEN | 12V | AV1911R612Q04 | 3-2213764-3 |
| | GOLD | YELLOW | 24V | AV1911R524R04 | 3-2213764-2 |
| | SILVER | YELLOW | 24V | AV1911R524Q04 | 3-2213764-1 |
| | GOLD | YELLOW | 12V | AV1911R512R04 | 3-2213764-0 |
| | SILVER | YELLOW | 12V | AV1911R512Q04 | 2-2213764-9 |
| | GOLD | RED | 24V | AV1911R324R04 | 2-2213764-8 |
| | SILVER | RED | 24V | AV1911R324Q04 | 2-2213764-7 |
| | GOLD | RED | 12V | AV1911R312R04 | 2-2213764-6 |
| | SILVER | RED | 12V | AV1911R312Q04 | 2-2213764-5 |
| SINGLE POLE-MOMENTARY | GOLD | WHITE | 24V | AV1911R124R04 | 2-2213764-4 |
| | SILVER | WHITE | 24V | AV1911R124Q04 | 2-2213764-3 |
| | GOLD | WHITE | 12V | AV1911R112R04 | 2-2213764-2 |
| | SILVER | WHITE | 12V | AV1911R112Q04 | 2-2213764-1 |
| | GOLD | BLUE | 24V | AV1910R724R04 | 2-2213764-0 |
| | SILVER | BLUE | 24V | AV1910R724Q04 | 1-2213764-9 |
| | GOLD | BLUE | 12V | AV1910R712R04 | 1-2213764-8 |
| | SILVER | BLUE | 12V | AV1910R712Q04 | 1-2213764-7 |
| | GOLD | GREEN | 24V | AV1910R624R04 | 1-2213764-6 |
| | SILVER | GREEN | 24V | AV1910R624Q04 | 1-2213764-5 |
| | GOLD | GREEN | 12V | AV1910R612R04 | 1-2213764-4 |
| | SILVER | GREEN | 12V | AV1910R612Q04 | 1-2213764-3 |
| | GOLD | YELLOW | 24V | AV1910R524R04 | 1-2213764-2 |
| | SILVER | YELLOW | 24V | AV1910R524Q04 | 1-2213764-1 |
| | GOLD | YELLOW | 12V | AV1910R512R04 | 1-2213764-0 |
| | SILVER | YELLOW | 12V | AV1910R512Q04 | 2213764-9 |
| GOLD | RED | 24V | AV1910R324R04 | 2213764-8 | |
| SILVER | RED | 24V | AV1910R324Q04 | 2213764-7 | |
| GOLD | RED | 12V | AV1910R312R04 | 2213764-6 | |
| SILVER | RED | 12V | AV1910R312Q04 | 2213764-5 | |
| GOLD | WHITE | 24V | AV1910R124R04 | 2213764-4 | |
| SILVER | WHITE | 24V | AV1910R124Q04 | 2213764-3 | |
| GOLD | WHITE | 12V | AV1910R112R04 | 2213764-2 | |
| SILVER | WHITE | 12V | AV1910R112Q04 | 2213764-1 | |

| | | | | |
|--|--|--------------------------------|---|--|
| THIS DRAWING IS A CONTROLLED DOCUMENT. | | DWN 06FEB2016 NAGALAKSHMI K |  TE Connectivity | |
| DIMENSIONS: mm [INCHES] | | CHK 06FEB2016 HILL RYAN | | |
| TOLERANCES UNLESS OTHERWISE SPECIFIED: | | APVD 06FEB2016 HILL RYAN | NAME | |
| 0 PLC ± - | | PRODUCT SPEC | ANTI-VANDAL SWITCH 19MM FIXED RING LED | |
| 1 PLC ± - | | APPLICATION SPEC | SIZE CAGE CODE DRAWING NO RESTRICTED TO | |
| 2 PLC ± - | | WEIGHT | A2 00779 C=2213764 | |
| 3 PLC ± - | | FINISH | SCALE 1:1 SHEET 3 OF 4 REV A | |
| 4 PLC ± - | | CUSTOMER DRAWING | | |
| ANGLES ± - | | | | |

THIS DRAWING IS UNPUBLISHED. RELEASED FOR PUBLICATION
 © COPYRIGHT - By - ALL RIGHTS RESERVED.

| REVISIONS | | | | | |
|-----------|-----|-------------|------|-----|------|
| P | LTR | DESCRIPTION | DATE | DWN | APVD |
| - | - | SEE SHEET 1 | - | - | - |

| POLE/THROW | CONTACT | LED COLOR | LED VOLTAGE | TE DESCRIPTIVE PN | TE PART NUMBER |
|-----------------------|---------|-----------|---------------|-------------------|----------------|
| DOUBLE POLE-LOCKING | GOLD | BLUE | 24V | AV1921R724R04 | 8-2213764-0 |
| | SILVER | BLUE | 24V | AV1921R724Q04 | 7-2213764-9 |
| | GOLD | BLUE | 12V | AV1921R712R04 | 7-2213764-8 |
| | SILVER | BLUE | 12V | AV1921R712Q04 | 7-2213764-7 |
| | GOLD | GREEN | 24V | AV1921R624R04 | 7-2213764-6 |
| | SILVER | GREEN | 24V | AV1921R624Q04 | 7-2213764-5 |
| | GOLD | GREEN | 12V | AV1921R612R04 | 7-2213764-4 |
| | SILVER | GREEN | 12V | AV1921R612Q04 | 7-2213764-3 |
| | GOLD | YELLOW | 24V | AV1921R524R04 | 7-2213764-2 |
| | SILVER | YELLOW | 24V | AV1921R524Q04 | 7-2213764-1 |
| | GOLD | YELLOW | 12V | AV1921R512R04 | 7-2213764-0 |
| | SILVER | YELLOW | 12V | AV1921R512Q04 | 6-2213764-9 |
| | GOLD | RED | 24V | AV1921R324R04 | 6-2213764-8 |
| | SILVER | RED | 24V | AV1921R324Q04 | 6-2213764-7 |
| | GOLD | RED | 12V | AV1921R312R04 | 6-2213764-6 |
| | SILVER | RED | 12V | AV1921R312Q04 | 6-2213764-5 |
| DOUBLE POLE-MOMENTARY | GOLD | WHITE | 24V | AV1921R124R04 | 6-2213764-4 |
| | SILVER | WHITE | 24V | AV1921R124Q04 | 6-2213764-3 |
| | GOLD | WHITE | 12V | AV1921R112R04 | 6-2213764-2 |
| | SILVER | WHITE | 12V | AV1921R112Q04 | 6-2213764-1 |
| | GOLD | BLUE | 24V | AV1920R724R04 | 6-2213764-0 |
| | SILVER | BLUE | 24V | AV1920R724Q04 | 5-2213764-9 |
| | GOLD | BLUE | 12V | AV1920R712R04 | 5-2213764-8 |
| | SILVER | BLUE | 12V | AV1920R712Q04 | 5-2213764-7 |
| | GOLD | GREEN | 24V | AV1920R624R04 | 5-2213764-6 |
| | SILVER | GREEN | 24V | AV1920R624Q04 | 5-2213764-5 |
| | GOLD | GREEN | 12V | AV1920R612R04 | 5-2213764-4 |
| | SILVER | GREEN | 12V | AV1920R612Q04 | 5-2213764-3 |
| | GOLD | YELLOW | 24V | AV1920R524R04 | 5-2213764-2 |
| | SILVER | YELLOW | 24V | AV1920R524Q04 | 5-2213764-1 |
| | GOLD | YELLOW | 12V | AV1920R512R04 | 5-2213764-0 |
| | SILVER | YELLOW | 12V | AV1920R512Q04 | 4-2213764-9 |
| GOLD | RED | 24V | AV1920R324R04 | 4-2213764-8 | |
| SILVER | RED | 24V | AV1920R324Q04 | 4-2213764-7 | |
| GOLD | RED | 12V | AV1920R312R04 | 4-2213764-6 | |
| SILVER | RED | 12V | AV1920R312Q04 | 4-2213764-5 | |
| GOLD | WHITE | 24V | AV1920R124R04 | 4-2213764-4 | |
| SILVER | WHITE | 24V | AV1920R124Q04 | 4-2213764-3 | |
| GOLD | WHITE | 12V | AV1920R112R04 | 4-2213764-2 | |
| SILVER | WHITE | 12V | AV1920R112Q04 | 4-2213764-1 | |

| | | | | | |
|---|--|-----------------------------------|---|--------------------|-------------------------|
| THIS DRAWING IS A CONTROLLED DOCUMENT. | | DWN NAGALAKSHMI K 06FEB2016 |  TE Connectivity | | |
| DIMENSIONS: mm [INCHES] | | CHK HILL RYAN 06FEB2016 | | | |
| TOLERANCES UNLESS OTHERWISE SPECIFIED: | | APVD HILL RYAN 06FEB2016 | NAME ANTI-VANDAL SWITCH 19MM FIXED RING LED | | |
| 0 PLC ± - 1 PLC ± - 2 PLC ± - 3 PLC ± - 4 PLC ± - ANGLES ± - | | PRODUCT SPEC APPLICATION SPEC | SIZE A2 | CAGE CODE 00779 | DRAWING NO C=2213764 |
| MATERIAL | | WEIGHT | SCALE 1:1 | SHEET 4 of 4 | REV A |
| | | CUSTOMER DRAWING | | | |



Компания «ЭлектроПласт» предлагает заключение долгосрочных отношений при поставках импортных электронных компонентов на взаимовыгодных условиях!

Наши преимущества:

- Оперативные поставки широкого спектра электронных компонентов отечественного и импортного производства напрямую от производителей и с крупнейших мировых складов;
- Поставка более 17-ти миллионов наименований электронных компонентов;
- Поставка сложных, дефицитных, либо снятых с производства позиций;
- Оперативные сроки поставки под заказ (от 5 рабочих дней);
- Экспресс доставка в любую точку России;
- Техническая поддержка проекта, помощь в подборе аналогов, поставка прототипов;
- Система менеджмента качества сертифицирована по Международному стандарту ISO 9001;
- Лицензия ФСБ на осуществление работ с использованием сведений, составляющих государственную тайну;
- Поставка специализированных компонентов (Xilinx, Altera, Analog Devices, Intersil, Interpoint, Microsemi, Aeroflex, Peregrine, Syfer, Eurofarad, Texas Instrument, Miteq, Cobham, E2V, MA-COM, Hittite, Mini-Circuits, General Dynamics и др.);

Помимо этого, одним из направлений компании «ЭлектроПласт» является направление «Источники питания». Мы предлагаем Вам помощь Конструкторского отдела:

- Подбор оптимального решения, техническое обоснование при выборе компонента;
- Подбор аналогов;
- Консультации по применению компонента;
- Поставка образцов и прототипов;
- Техническая поддержка проекта;
- Защита от снятия компонента с производства.



Как с нами связаться

Телефон: 8 (812) 309 58 32 (многоканальный)

Факс: 8 (812) 320-02-42

Электронная почта: org@eplast1.ru

Адрес: 198099, г. Санкт-Петербург, ул. Калинина, дом 2, корпус 4, литера А.