

## Description

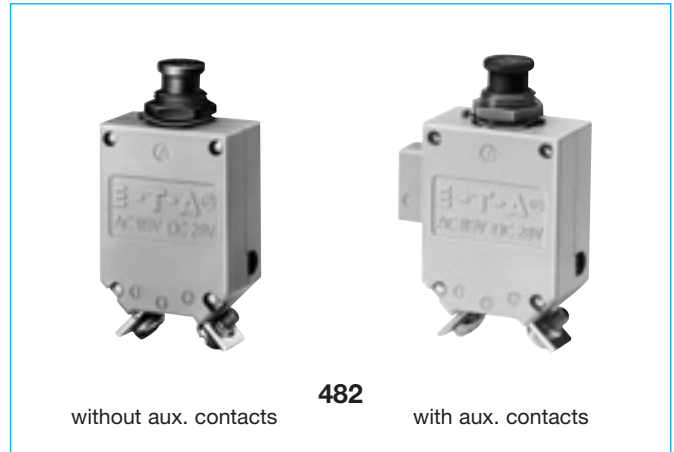
Single pole compact high performance thermal circuit breaker with tease-free, trip-free, snap action mechanism and push/pull on/off manual actuation (M-type TO CBE to EN 60934). An indicator band on the push button clearly shows the tripped/off position. Threadneck panel mounted in tracked vehicle and aircraft/general purpose versions, with optional auxiliary contacts.

## Typical applications

Extra low voltage wiring systems on all types of vehicles for land, sea and air, battery powered machines, process control.

## Ordering information

<b>Type No.</b>	482
<b>single pole thermal circuit breaker</b>	
<b>Mounting</b>	
<b>G</b> threadneck panel mounting	
<b>Threadneck design</b>	
<b>1</b> M 12x1 nickel plated	
<b>2</b> M 12x1 black	
<b>3</b> 15/32-UN-2A black	
<b>6</b> M12x1x8 black, without locating pin, push button marking as with 482-G2..	
<b>7</b> M12x1x6,4 black, without locating pin, push button marking as with 482-G1..	
<b>Hardware - washer for threadneck</b>	
<b>0</b> without hardware	
<b>1</b> corrugated washer 12/15, fitted	
<b>2</b> serrated lock washer 12/15, fitted (MS 35333-136)	
<b>3</b> serrated lock washer 12/15, bulk shipped (MS 35333-136)	
<b>Hardware - hex nut for threadneck</b>	
<b>0</b> without hardware	
<b>1</b> hex nut M12x1 nickel plated	
<b>2</b> hex nut M12x1 black	
<b>3</b> hex nut 15/32-UN-2B black, fitted	
<b>4</b> hex nut 15/32-UN-2B black, bulk shipped	
<b>Terminal design (main terminals)</b>	
<b>K1</b> screw terminals with metric thread M4	
<b>J1</b> screw terminals with inch thread 8-32-UNC-2B	
<b>R1</b> round connector ø6	
<b>Characteristic curve</b>	
<b>M1</b> thermal 1.15-1.4 I <sub>N</sub>	
<b>Terminal screws</b>	
<b>A</b> flat head screw M4x6, ISO 1580, fitted	
<b>B</b> Phillips screw 8-32UNC-2Ax6 (MS 51957-41), fitted	
<b>F</b> Phillips screw M4x6 (ISO 7045), bulk shipped	
<b>H</b> socket head cap screw M4x6 (DIN 7984), fitted	
<b>K</b> hex screw 8-32UNC-3Ax7.6 fitted	
<b>Terminal washers</b>	
<b>0</b> without lock washer	
<b>1</b> lock washer DIN 137-B4, fitted	
<b>2</b> lock washer 4.3, fitted, MS 35336-37	
<b>3</b> lock washer 4.3, bulk shipped (MS 35 338-137)	
<b>5</b> lock washer 4.3/9, fitted	
<b>6</b> lock washer DIN 137-B4, bulk shipped	
<b>Auxiliary contact</b>	
<b>S0</b> without auxiliary contacts	
<b>S1</b> with auxiliary contact (NC)	
<b>S5</b> with polarized aux. contact (NC)	
<b>Barrier</b>	
<b>(blank)</b> without barrier	
<b>T</b> with barrier, 31 mm wide	
<b>Current ratings</b>	
<b>0.1...50 A</b>	
<b>482 - G 1 1 1 - K1 M1 - A 1 S1 . - 10 A</b> ordering example	



without aux. contacts

482

with aux. contacts

## Technical data

<b>Voltage rating</b>	AC 115 V (400 Hz); DC 28 V AC 230 (50/60 Hz) to special order
<b>Current rating range</b>	0.1...50 A
<b>Auxiliary circuit</b>	0.5 A, DC 28 V
<b>Typical life</b>	10,000 operations mechanical 5,000 operations at I <sub>N</sub>
<b>Ambient temperature</b>	-55...+75 °C (-67...+167 °F)
<b>Insulation co-ordination (IEC 60664 and 60664A)</b>	rated impulse withstand voltage 1.5 kV pollution degree 3
<b>Dielectric strength (IEC 60664 and 60664A)</b>	test voltage AC 1,500 V operating area AC 1,500 V main to aux. circuit AC 1,500 V
<b>Insulation resistance</b>	> 100 MΩ (DC 500 V)
<b>Interrupting capacity I<sub>cn</sub></b>	0.1...2.5 A 15 x I <sub>N</sub> 3...3.5 A 250 A DC / 150 A AC 4...7 A 500 A 7.5...50 A 6,000 A DC / 1,000 A AC 35...50 A with auxiliary contact: 3,000 A DC / 1,000 A AC
<b>Interrupting capacity (UL 1077)</b>	I <sub>N</sub> 0.1...50 A U <sub>N</sub> DC 72 V 5000 A
<b>Degree of protection (IEC 60529/DIN 40050)</b>	operating area IP40 terminal area IP00
<b>Vibration</b>	10 g (55-2000 Hz) ±0.76 mm (10-55 Hz) to VG 95210, sheet 19/IEC 60068-2-6, test Fc
<b>Shock</b>	50 g (11 ms) to VG 95210, sheet 28/IEC 60068-2-27, test Ea
<b>Corrosion</b>	48 hours at 5 % salt mist to VG 95210, sheet 2/IEC 60068-2-11, test Ka
<b>Humidity</b>	240 hours at 95 % RH to VG 95210, sheet 7/IEC 60068-2-3, test C
<b>Explosion</b>	to VG 95210, sheet 10/MIL-STD-202, meth. 109
<b>Mass</b>	approx. 43 g without auxiliary contact approx. 46 g with auxiliary contact

## Approvals

Authority	Voltage ratings	Current ratings
VG 95345 T21	DC 28 V	0.1...50 A
QPL, Canada	DC 28 V	0.5...35 A
UL	DC 72 V	0.1...50 A

Previous ordering codes:

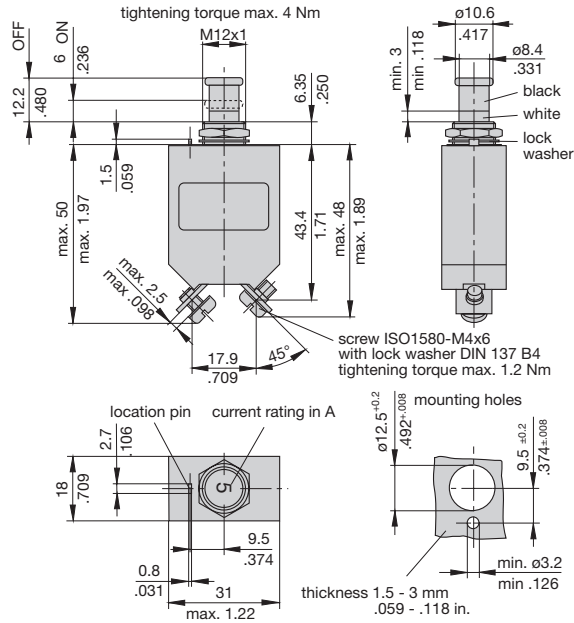
482-N-MS = 482-G111-K1M1-A1S0-...A  
482-MS = 482-G212-K1M1-A1S0-...A

## Standard current ratings and typical volt drop values

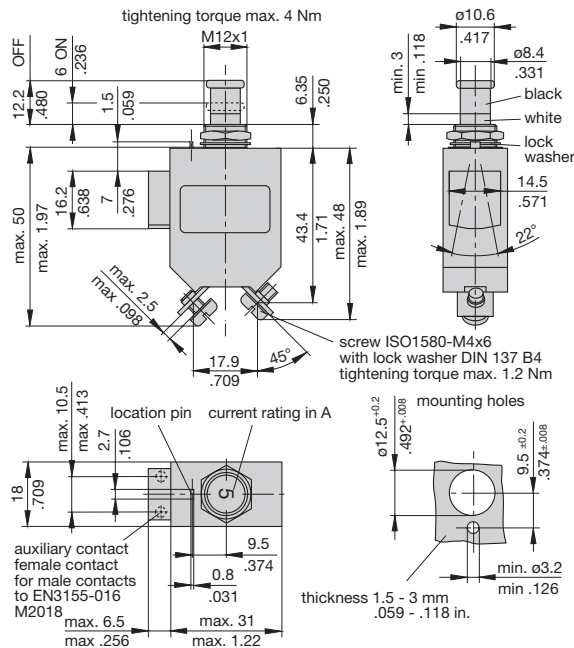
Current rating (A)	Volt drop (mV)	Current rating (A)	Volt drop (mV)
0.1	16 000	5	350
0.2	8 000	7.5	230
0.5	3 000	10	< 200
0.8	2 000	15	< 200
1	1 500	20	< 200
1.2	1 200	25	< 200
1.5	1 000	30	< 200
1.8	850	35	< 200
2	800	40	< 200
2.5	700	45	< 200
3	600	50	< 200
4	430		

## Dimensions 482-G1...

### 482-G111-K1M1-A1S0 (VG 95345 T21)

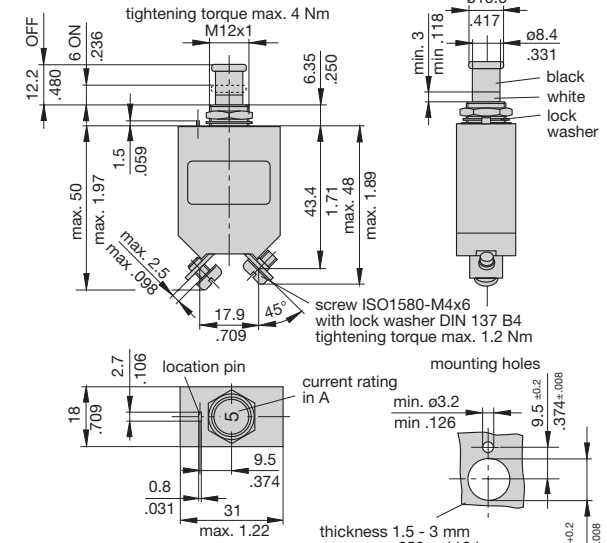


### 482-G111-K1M1-A1S1 (VG 95345 T21) 482-G111-K1M1-A1S5

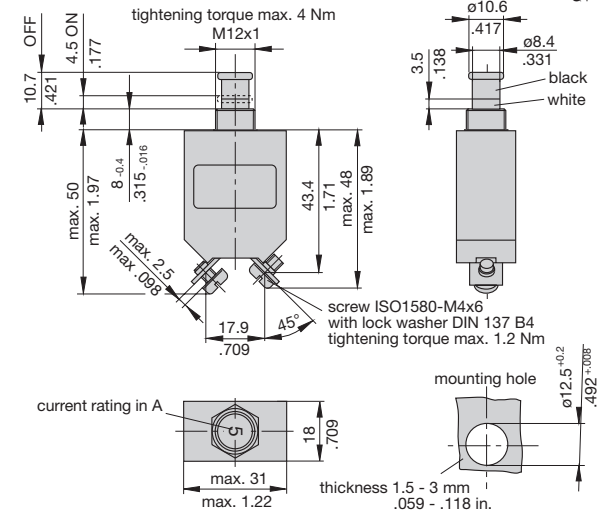


## Dimensions 482-G2../-G6../-G7...

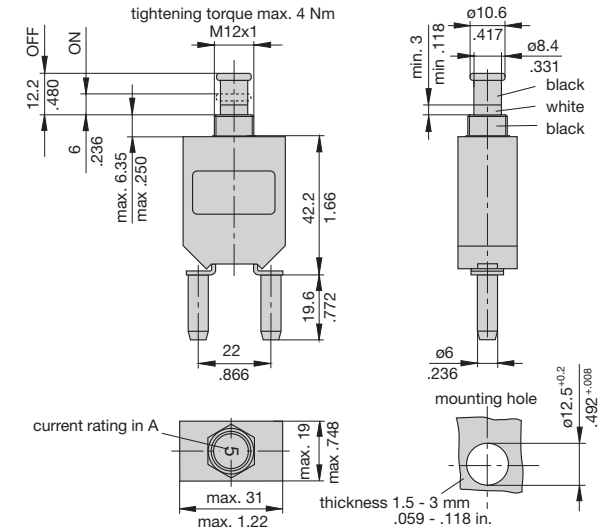
### 482-G212-K1M1-A1S0 (VG 95345 T21)



### 482-G600-K1M1-A1S0



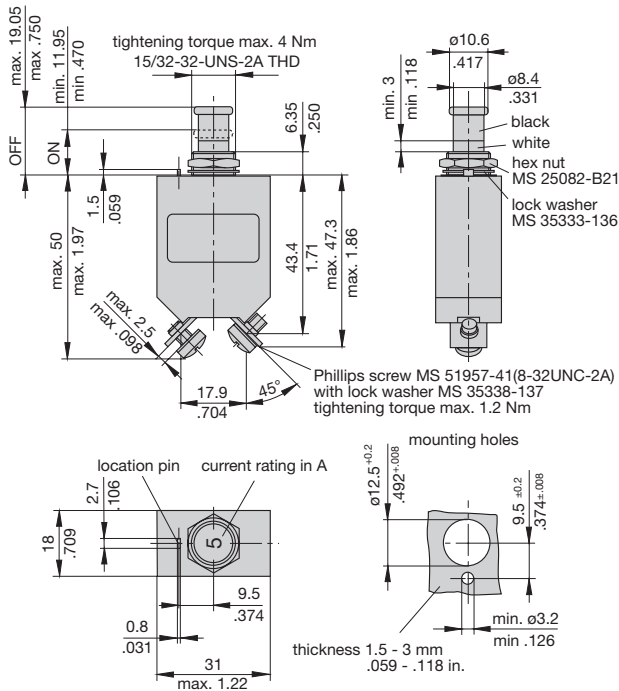
### 482-G700-R1M1-Z0S0



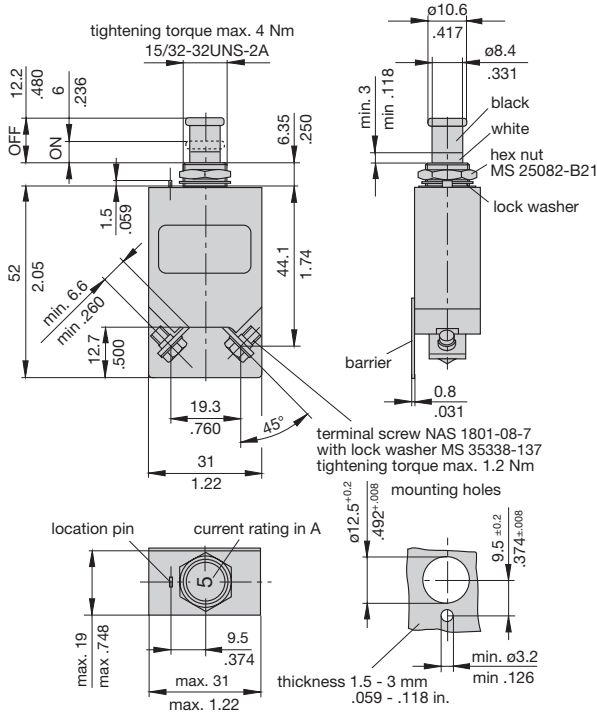
This is a metric design and millimeter dimensions take precedence (mm/inch)

## Dimensions 482-G3...

### 482-G323-J1M1-B2 (MS 25 244)

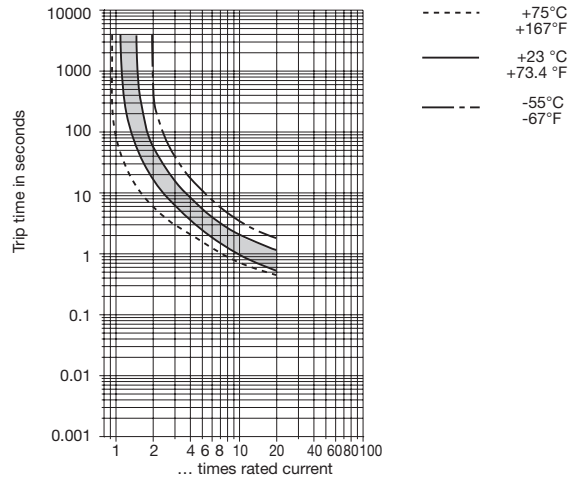


### 482-G323-J2.-E3S0T

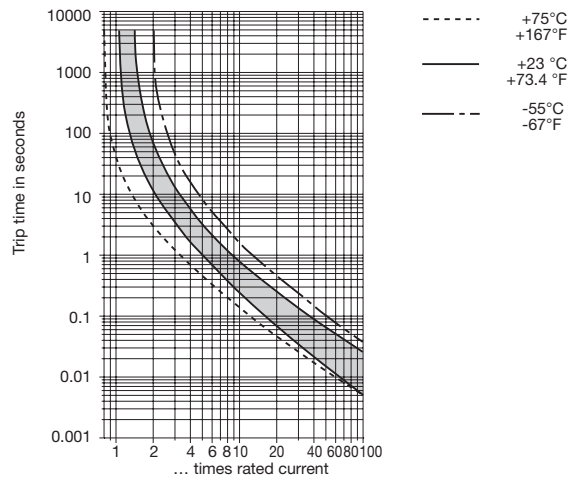


## Typical time/current characteristics

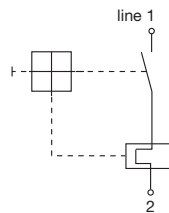
### 0.1...2.5 A



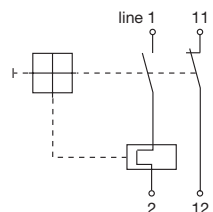
### 3...50 A



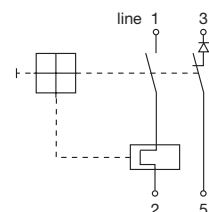
## Internal connection diagrams



### with auxiliary contact



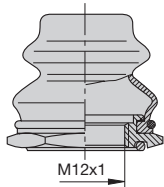
### with polarized auxiliary contact



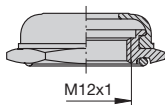
This is a metric design and millimeter dimensions take precedence ( $\frac{\text{mm}}{\text{inch}}$ )

## Accessories (approved to VG 95345, part 23)

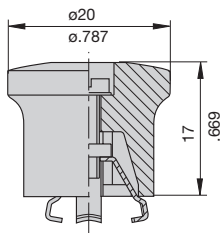
**Splash cover /hex nut assembly with O ring (IP66)**  
**X 200 801 08** - nickel plated nut M12x1, transparent cover  
**X 200 801 03** - matt black finish nut M12x1, black cover



**Splash cover black /hex nut assembly with O ring (IP54)**  
**X 200 802 01** - nickel plated nut M12x1  
**X 200 802 02** - matt black finish nut M12x1



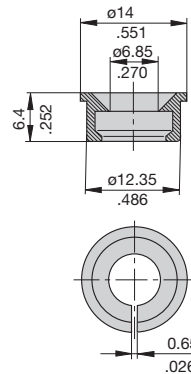
**Actuator extension (black)**  
 to be fitted on the push button  
**X 200 803 01**



## Accessories

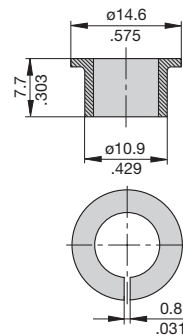
**Identification collar** to be snapped on the push button

**Y 307 004 01** black  
**Y 307 004 02** white  
**Y 307 004 03** red  
**Y 307 004 04** green  
**Y 307 004 05** blue



**Lock out ring** to block the push button in OFF position

**Y 307 005 01** red  
**Y 307 005 02** black



This is a metric design and millimeter dimensions take precedence ( $\frac{\text{mm}}{\text{inch}}$ )

All dimensions without tolerances are for reference only. In the interest of improved design, performance and cost effectiveness the right to make changes in these specifications without notice is reserved. Product markings may not be exactly as the ordering codes. Errors and omissions excepted.



Компания «ЭлектроПласт» предлагает заключение долгосрочных отношений при поставках импортных электронных компонентов на взаимовыгодных условиях!

Наши преимущества:

- Оперативные поставки широкого спектра электронных компонентов отечественного и импортного производства напрямую от производителей и с крупнейших мировых складов;
- Поставка более 17-ти миллионов наименований электронных компонентов;
- Поставка сложных, дефицитных, либо снятых с производства позиций;
- Оперативные сроки поставки под заказ (от 5 рабочих дней);
- Экспресс доставка в любую точку России;
- Техническая поддержка проекта, помощь в подборе аналогов, поставка прототипов;
- Система менеджмента качества сертифицирована по Международному стандарту ISO 9001;
- Лицензия ФСБ на осуществление работ с использованием сведений, составляющих государственную тайну;
- Поставка специализированных компонентов (Xilinx, Altera, Analog Devices, Intersil, Interpoint, Microsemi, Aeroflex, Peregrine, Syfer, Eurofarad, Texas Instrument, Miteq, Cobham, E2V, MA-COM, Hittite, Mini-Circuits, General Dynamics и др.);

Помимо этого, одним из направлений компании «ЭлектроПласт» является направление «Источники питания». Мы предлагаем Вам помощь Конструкторского отдела:

- Подбор оптимального решения, техническое обоснование при выборе компонента;
- Подбор аналогов;
- Консультации по применению компонента;
- Поставка образцов и прототипов;
- Техническая поддержка проекта;
- Защита от снятия компонента с производства.



#### Как с нами связаться

**Телефон:** 8 (812) 309 58 32 (многоканальный)

**Факс:** 8 (812) 320-02-42

**Электронная почта:** [org@eplast1.ru](mailto:org@eplast1.ru)

**Адрес:** 198099, г. Санкт-Петербург, ул. Калинина, дом 2, корпус 4, литера А.