

# HDC140 Series

Low Profile SMD Drum Core Inductors

**HALO**  
ELECTRONICS, INC.



## Product Features:

- Low cost series of miniature power inductors
- Ideal for portable equipment such as hand-held PDA's, palmtop computers as well as test equipment
- Available in tape and reel packaging.
- Please contact your representative for custom designs.

Part Number	IND $\pm 20\%$ ( $\mu\text{H}$ )	DCR (max) (ohm)	SRF (typ) (MHz)	IDC (max) <sup>1</sup> (A)
HDC140-100MTR	10	0.11	35	2.4
HDC140-150MTR	15	0.15	33	2.0
HDC140-220MTR	22	0.23	25	1.6
HDC140-330MTR	33	0.30	19	1.4
HDC140-470MTR	47	0.39	14	1.0
HDC140-680MTR	68	0.66	12	0.9
HDC140-101MTR	100	0.84	10	0.7
HDC140-151MTR	150	1.20	8.0	0.6
HDC140-221MTR	220	1.9	6.0	0.5
HDC140-331MTR	330	2.7	5.0	0.4
HDC140-471MTR	470	4.0	4.0	0.3
HDC140-681MTR	680	5.3	3.0	0.2
HDC140-102MTR	1000	8.4	2.5	0.1

## Notes:

1. DC current that will cause inductance (L) drop by 10% from nominal value
2. Operating temperature range of -40C to +85C

# HDC140 Series

## Package Dimensions (mm)



## Recommended Solder Pad

## Tape & Reel Specifications

### HDC140-

1500 PARTS PER REEL

### CARRIER TAPE DIMENSIONS (mm)



### REEL DIMENSIONS (mm)



2880 Lakeside Drive #116  
 Santa Clara, CA 95054  
 (650) 903-3800  
[www.haloelectronics.com](http://www.haloelectronics.com)

HALO® Electronics is a leading supplier of high quality communication magnetics including signal transformers, filters, CMR chokes, PoE power transformers, DC/DC converters, and integrated Ethernet connectors. HALO's leading edge technology solutions are manufactured in ISO9001 and ISO14001 factories offering high quality products at a competitive price.

# HDC205 Series

SMD Drum Core Inductors

**HALO**  
ELECTRONICS, INC.



## Product Features:

- Low cost series of SMD miniature power inductors
- The high energy storage capability makes the HDC205 series ideal for DC-DC conversion in handheld PDA's and notebook computers
- Available in tape and reel packaging.
- Please contact your representative for custom designs.

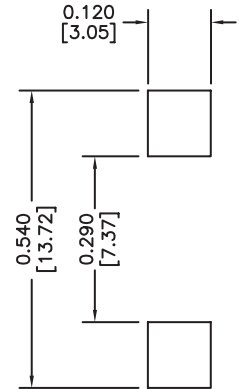
Part Number	IND $\pm 20\%$ ( $\mu\text{H}$ )	DCR (max) (ohm)	SRF (typ) (MHz)	IDC (max) <sup>1</sup> (A)
HDC205-1R0MTR	1.0	.009	100	9.0
HDC205-1R5MTR	1.5	.010	90	8.0
HDC205-2R2MTR	2.2	.012	80	7.0
HDC205-3R3MTR	3.3	.015	65	6.4
HDC205-4R7MTR	4.7	.018	45	5.4
HDC205-6R8MTR	6.8	.027	38	4.6
HDC205-100MTR	10	.038	30	3.8
HDC205-150MTR	15	.046	27	3.0
HDC205-220MTR	22	.085	19	2.6
HDC205-330MTR	33	0.10	15	2.0
HDC205-470MTR	47	0.14	12	1.6
HDC205-680MTR	68	0.20	10	1.4
HDC205-101MTR	100	0.28	9.0	1.2
HDC205-151MTR	150	0.40	6.0	1.0
HDC205-221MTR	220	0.61	5.0	0.8
HDC205-331MTR	330	1.02	4.5	0.6
HDC205-471MTR	470	1.27	3.5	0.5
HDC205-681MTR	680	2.02	2.5	0.4
HDC205-102MTR	1000	3.00	2.0	0.3

## Notes:

1. DC current that will cause inductance (L) drop by 10% from nominal value
2. Operating temperature range of -40C to +85C

# HDC205 Series

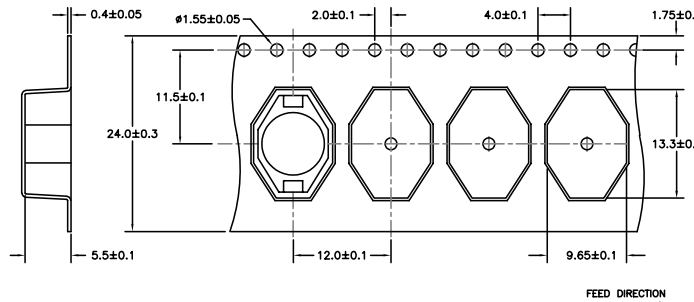
## Package Dimensions (mm)



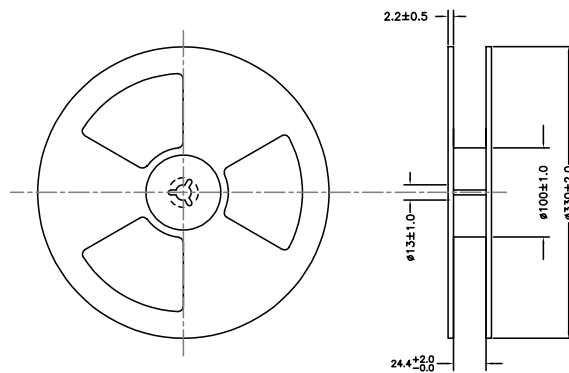
## Tape & Reel Specifications

**HDC205-**  
1000 PARTS PER REEL

### CARRIER TAPE DIMENSIONS (mm)



### REEL DIMENSIONS (mm)



**HALO**  
ELECTRONICS, INC.

2880 Lakeside Drive #116  
Santa Clara, CA 95054  
(650) 903-3800  
[www.haloelectronics.com](http://www.haloelectronics.com)

HALO® Electronics is a leading supplier of high quality communication magnetics including signal transformers, filters, CMR chokes, PoE power transformers, DC/DC converters, and integrated Ethernet connectors. HALO's leading edge technology solutions are manufactured in ISO9001 and ISO14001 factories offering high quality products at a competitive price.

# HDC450 Series

High Profile SMD Drum Core Inductors

**HALO**  
ELECTRONICS, INC.



## Product Features:

- High current, low cost series of power inductors provides excellent current handling capabilities
- Available in tape and reel packaging.
- Please contact your representative for custom designs.

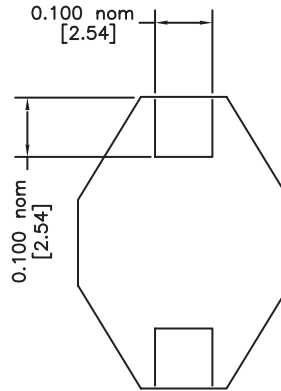
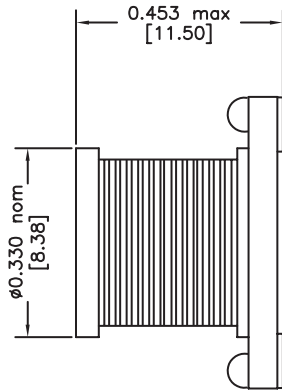
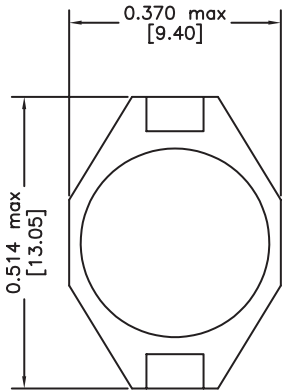
Part Number	IND $\pm 20\%$ ( $\mu\text{H}$ )	DCR (max) (ohm)	SRF (typ) (MHz)	IDC (max) <sup>1</sup> (A)
HDC450-100MTR	10	0.04	22	8.0
HDC450-150MTR	15	0.05	18	7.0
HDC450-220MTR	22	0.066	11	5.5
HDC450-330MTR	33	0.08	9.0	4.0
HDC450-470MTR	47	0.11	8.0	3.8
HDC450-680MTR	68	0.17	7.0	3.0
HDC450-101MTR	100	0.22	5.0	2.5
HDC450-151MTR	150	0.34	4.0	2.0
HDC450-221MTR	220	0.44	3.5	1.6
HDC450-331MTR	330	0.70	2.5	1.2
HDC450-471MTR	470	0.95	2.0	1.0
HDC450-681MTR	680	1.20	2.0	1.0
HDC450-102MTR	1000	2.00	1.5	0.8

## Notes:

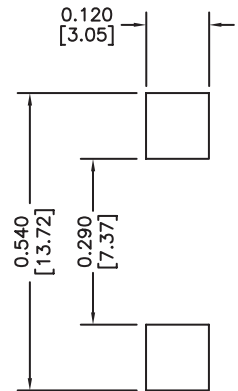
1. DC current that will cause inductance (L) drop by 10% from nominal value
2. Operating temperature range of -40C to +85C

# HDC450 Series

## Package Dimensions (mm)



## Recommended Solder Pad



## Tape & Reel Specifications

### HDC450-

250 PARTS PER REEL

### CARRIER TAPE DIMENSIONS (mm)



### REEL DIMENSIONS (mm)



2880 Lakeside Drive #116  
 Santa Clara, CA 95054  
 (650) 903-3800  
[www.haloelectronics.com](http://www.haloelectronics.com)

HALO® Electronics is a leading supplier of high quality communication magnetics including signal transformers, filters, CMR chokes, PoE power transformers, DC/DC converters, and integrated Ethernet connectors. HALO's leading edge technology solutions are manufactured in ISO9001 and ISO14001 factories offering high quality products at a competitive price.



Компания «ЭлектроПласт» предлагает заключение долгосрочных отношений при поставках импортных электронных компонентов на взаимовыгодных условиях!

Наши преимущества:

- Оперативные поставки широкого спектра электронных компонентов отечественного и импортного производства напрямую от производителей и с крупнейших мировых складов;
- Поставка более 17-ти миллионов наименований электронных компонентов;
- Поставка сложных, дефицитных, либо снятых с производства позиций;
- Оперативные сроки поставки под заказ (от 5 рабочих дней);
- Экспресс доставка в любую точку России;
- Техническая поддержка проекта, помощь в подборе аналогов, поставка прототипов;
- Система менеджмента качества сертифицирована по Международному стандарту ISO 9001;
- Лицензия ФСБ на осуществление работ с использованием сведений, составляющих государственную тайну;
- Поставка специализированных компонентов (Xilinx, Altera, Analog Devices, Intersil, Interpoint, Microsemi, Aeroflex, Peregrine, Syfer, Eurofarad, Texas Instrument, Miteq, Cobham, E2V, MA-COM, Hittite, Mini-Circuits, General Dynamics и др.);

Помимо этого, одним из направлений компании «ЭлектроПласт» является направление «Источники питания». Мы предлагаем Вам помощь Конструкторского отдела:

- Подбор оптимального решения, техническое обоснование при выборе компонента;
- Подбор аналогов;
- Консультации по применению компонента;
- Поставка образцов и прототипов;
- Техническая поддержка проекта;
- Защита от снятия компонента с производства.



#### Как с нами связаться

**Телефон:** 8 (812) 309 58 32 (многоканальный)

**Факс:** 8 (812) 320-02-42

**Электронная почта:** [org@eplast1.ru](mailto:org@eplast1.ru)

**Адрес:** 198099, г. Санкт-Петербург, ул. Калинина, дом 2, корпус 4, литера А.