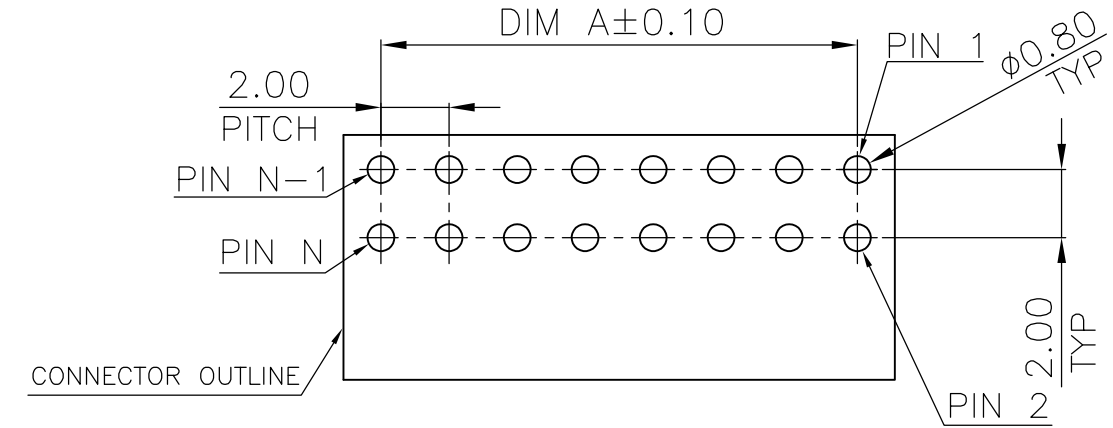
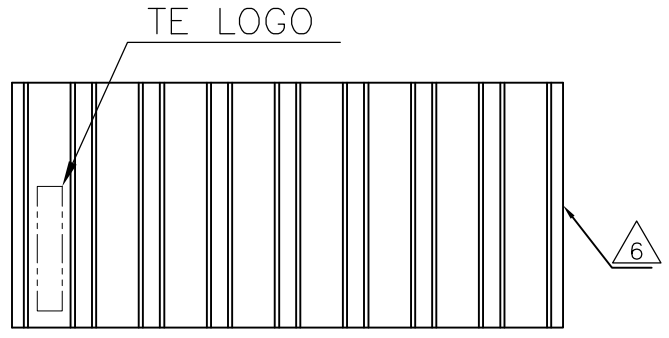
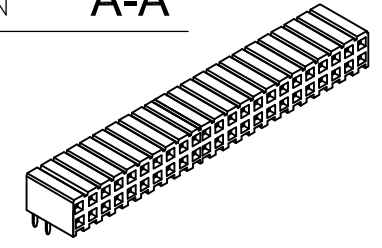
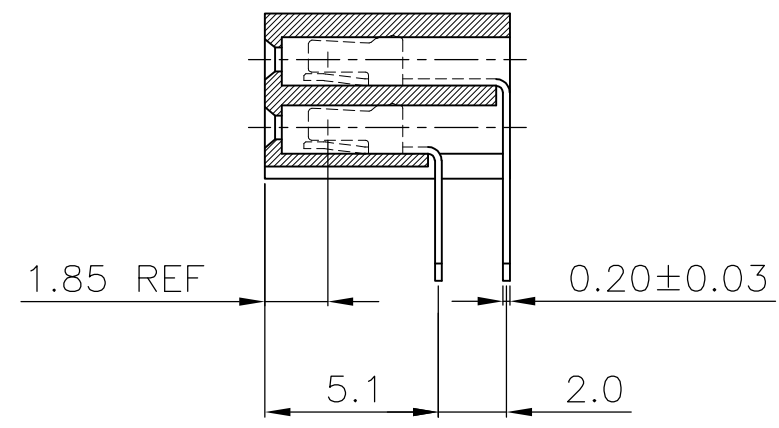
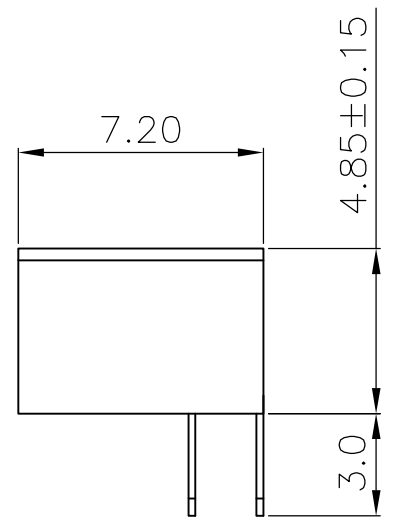
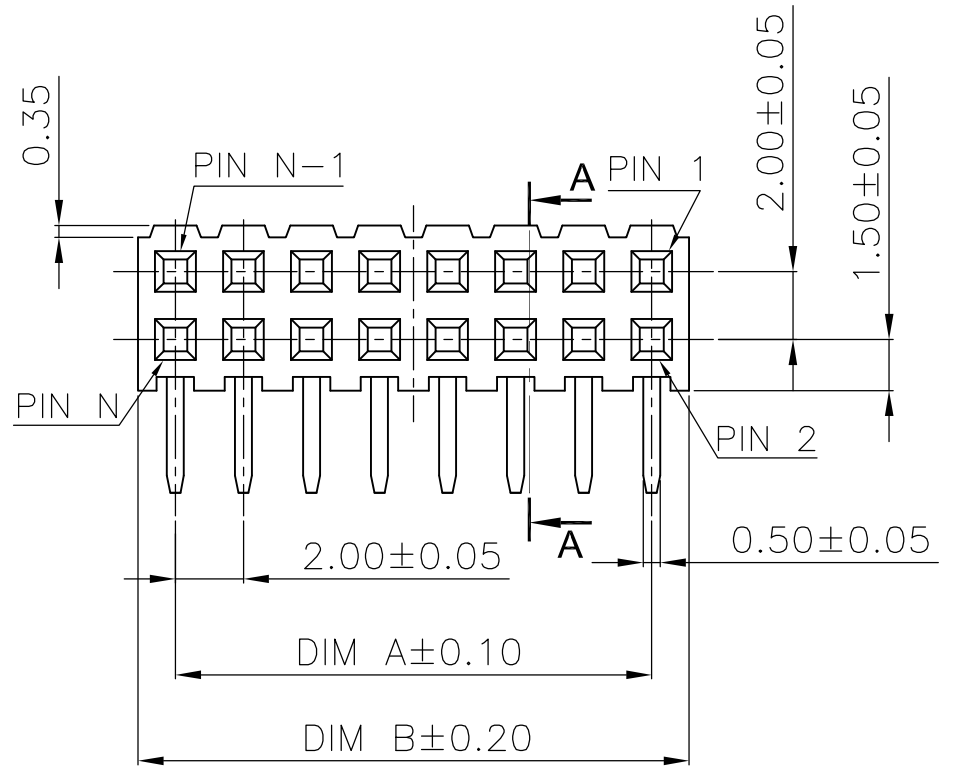


THIS DRAWING IS UNPUBLISHED
 © COPYRIGHT - By - ALL RIGHTS RESERVED.

| | | | | | | | |
|-----|------|-----------|-----|---------------------------|---------|-----|------|
| LOC | DIST | REVISIONS | | | | | |
| IR | - | P | LTR | DESCRIPTION | DATE | DWN | APVD |
| | | | D3 | REVISED PER ECO-12-006782 | 10APR12 | HMR | JO |



RECOMMENDED PCB LAYOUT
 TOLERANCE ± 0.05 (TOP VIEW)



| | | | | | |
|----------|------------|-------|-----------------|-------------|-----------|
| OBSOLETE | 78.00 | 80.20 | 80 | 8- | -0 |
| | 76.00 | 78.20 | 78 | 7- | -8 |
| | 74.00 | 76.20 | 76 | 7- | -6 |
| | 72.00 | 74.20 | 74 | 7- | -4 |
| | 70.00 | 72.20 | 72 | 7- | -2 |
| | 68.00 | 70.20 | 70 | 7- | -0 |
| | 66.00 | 68.20 | 68 | 6- | -8 |
| | 64.00 | 66.20 | 66 | 6- | -6 |
| | 62.00 | 64.20 | 64 | 6- | -4 |
| | 60.00 | 62.20 | 62 | 6- | -2 |
| | 58.00 | 60.20 | 60 | 6- | -0 |
| | 56.00 | 58.20 | 58 | 5- | -8 |
| | 54.00 | 56.20 | 56 | 5- | -6 |
| | 52.00 | 54.20 | 54 | 5- | -4 |
| OBSOLETE | 50.00 | 52.20 | 52 | 5- | -2 |
| | 48.00 | 50.20 | 50 | 5- | -0 |
| | 46.00 | 48.20 | 48 | 4- | -8 |
| | 44.00 | 46.20 | 46 | 4- | -6 |
| | 42.00 | 44.20 | 44 | 4- | -4 |
| | 40.00 | 42.20 | 42 | 4- | -2 |
| | 38.00 | 40.20 | 40 | 4- | -0 |
| | 36.00 | 38.20 | 38 | 3- | -8 |
| OBSOLETE | 34.00 | 36.20 | 36 | 3- | -6 |
| | 32.00 | 34.20 | 34 | 3- | -4 |
| | 30.00 | 32.20 | 32 | 3- | -2 |
| | 28.00 | 30.20 | 30 | 3- | -0 |
| OBSOLETE | 26.00 | 28.20 | 28 | 2- | -8 |
| OBSOLETE | 24.00 | 26.20 | 26 | 2- | -6 |
| | 22.00 | 24.20 | 24 | 2- | -4 |
| | 20.00 | 22.20 | 22 | 2- | -2 |
| | 18.00 | 20.20 | 20 | 2- | -0 |
| | 16.00 | 18.20 | 18 | 1- | -8 |
| | 14.00 | 16.20 | 16 | 1- | -6 |
| | 12.00 | 14.20 | 14 | 1- | -4 |
| | 10.00 | 12.20 | 12 | 1- | -2 |
| OBSOLETE | 8.00 | 10.20 | 10 | 1- | -0 |
| OBSOLETE | 6.00 | 8.20 | 8 | | 1734531-8 |
| | 4.00 | 6.20 | 6 | | 1734531-6 |
| | 2.00 | 4.20 | 4 | | 1734531-4 |
| | DIM A | DIM B | POSITION NUMBER | PART NUMBER | |
| | DIMENSIONS | | | | |

NOTE :

1 MATERIAL :
 HOUSING : THERMOPLASTIC, UL94V-0, BLACK COLOR
 CONTACT : PHOSPHOR BRONZE, THICKNESS=0.20mm.

2 FINISH :
 CONTACT: 0.254mm [10m"] MIN. GOLD PLATED ON CONTACT AREA
 2.54mm [100m"] MIN. BRIGHT TIN PLATED ON SOLDER TAIL,
 1.27mm [50m"] MIN. NICKEL UNDERPLATED OVER ALL

3 APPLICATION :
 SOLDER TAIL LENGTH 2.6 FOR PCB THICKNESS 1.6±0.1

4 WAVE SOLDER CAPABLE TO 265°C PER TE SPEC 109-202, CONDITION B

5 NO CUMULATIVE TOLERANCE

6 DATECODE: YY WW D *
 ASS'Y LINE NO.
 DAY
 WEEK CODE
 YEAR

7 QUALIFICATION TEST REPORT: 501-57197

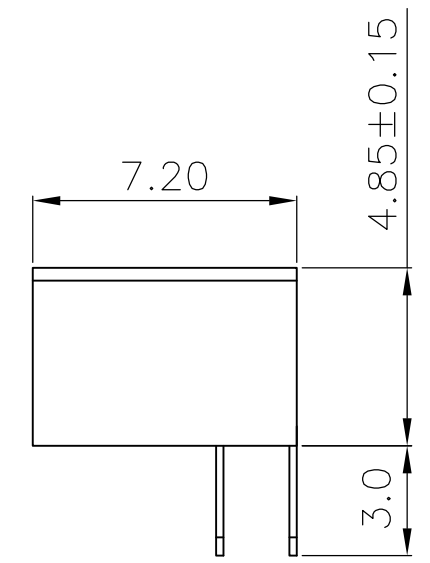
| | | | | | | |
|---|--|------------------|-----------|--|-----------|------------|
| THIS DRAWING IS A CONTROLLED DOCUMENT. | | DWN | 05JUL2005 | TE Connectivity AMPMODU 2.0mm PITCH, RCPT CONN., RIGHT-ANGLE, MOUNT TYPE | | |
| DIMENSIONS: mm | | CHK | 05JUL2005 | | | |
| TOLERANCES UNLESS OTHERWISE SPECIFIED: | | APVD | 05JUL2005 | | | |
| 0 PLC ± 0.5 1 PLC ± 0.2 2 PLC ± 0.1 3 PLC ± 0.05 4 PLC ± - ANGLES ± 3° | | NAME | | | | |
| MATERIAL | | PRODUCT SPEC | | 108-57197 | | |
| FINISH | | APPLICATION SPEC | | - | | |
| 1 | | WEIGHT | | SIZE | CAGE CODE | DRAWING NO |
| 2 | | - | | A3 | 00779 | C-1734531 |
| CUSTOMER DRAWING | | | | RESTRICTED TO | - | |
| | | | | SCALE | SHEET | REV |
| | | | | 1:1 | 1 OF 3 | D3 |

THIS DRAWING IS UNPUBLISHED
 RELEASED FOR PUBLICATION
 © COPYRIGHT - By - ALL RIGHTS RESERVED.

| LOC | DIST | REVISIONS | | | | | |
|-----|------|-----------|-----|-------------|------|-----|------|
| | | P | LTR | DESCRIPTION | DATE | DWN | APVD |
| IR | - | - | - | SEE SHEET 1 | - | - | - |



△ 5 RECOMMENDED PCB LAYOUT
 TOLERANCE ± 0.05 (TOP VIEW)



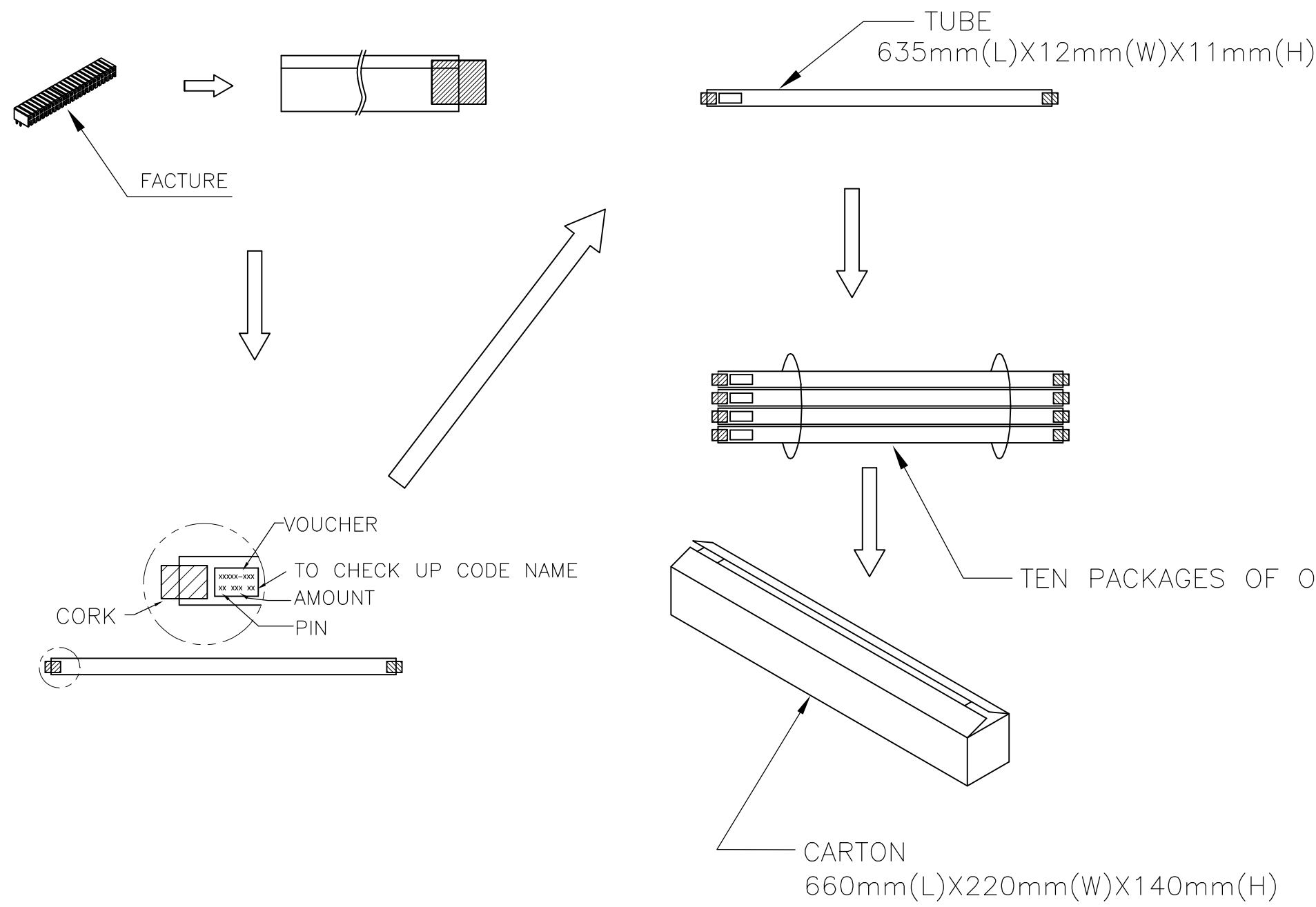
SECTION A-A

| | |
|-----------------|-------------|
| 9 | 1734531-9 |
| POSITION NUMBER | PART NUMBER |

| | | | | | | | | | | | | | |
|---|-------------|------------------|-------------|-----------|--|-------|--------|--------------|-------|------------|-----------|---------------|---|
| THIS DRAWING IS A CONTROLLED DOCUMENT. | | DWN | O.HU | 05JUL2005 | TE Connectivity AMPMODU 2.0mm PITCH, RCPT CONN., RIGHT-ANGLE, MOUNT TYPE | | | | | | | | |
| DIMENSIONS: mm | | CHK | S.HOU | 05JUL2005 | | | | NAME | | | | | |
| TOLERANCES UNLESS OTHERWISE SPECIFIED: | | APVD | W.J.KE | 05JUL2005 | | | | PRODUCT SPEC | | | | | |
| 0 PLC ± 0.5 1 PLC ± 0.2 2 PLC ± 0.1 3 PLC ± 0.05 4 PLC ± - ANGLES ± 3° | | APPLICATION SPEC | | 108-57197 | | | | | | | | | |
| MATERIAL | SEE SHEET 1 | FINISH | SEE SHEET 1 | WEIGHT | - | SIZE | A3 | CAGE CODE | 00779 | DRAWING NO | C=1734531 | RESTRICTED TO | - |
| CUSTOMER DRAWING | | | | SCALE | 1:1 | SHEET | 2 OF 3 | REV | D3 | | | | |

THIS DRAWING IS UNPUBLISHED
 © COPYRIGHT - By - ALL RIGHTS RESERVED.

| LOC | DIST | REVISIONS | | | |
|-----|------|-------------|------|-----|------|
| P | LTR | DESCRIPTION | DATE | DWN | APVD |
| | - | SEE SHEET 1 | - | - | - |



| QTY | TUBE/ CARTON | PCS/ TUBE | POSITION NUMBER | PART NUMBER | | | |
|----------|-----------------|--------------|--------------------|-------------|---|---|-----------|
| OBSOLETE | 1050 | 150 | 7 | 80 | 8 | - | 0 |
| | 1050 | 150 | 7 | 78 | 7 | - | 8 |
| | 1050 | 150 | 7 | 76 | 7 | - | 6 |
| | 1200 | 150 | 8 | 74 | 7 | - | 4 |
| | 1200 | 150 | 8 | 72 | 7 | - | 2 |
| | 1200 | 150 | 8 | 70 | 7 | - | 0 |
| | 1200 | 150 | 8 | 68 | 6 | - | 8 |
| | 1350 | 150 | 9 | 66 | 6 | - | 6 |
| | 1350 | 150 | 9 | 64 | 6 | - | 4 |
| | 1350 | 150 | 9 | 62 | 6 | - | 2 |
| | 1500 | 150 | 10 | 60 | 6 | - | 0 |
| | 1500 | 150 | 10 | 58 | 5 | - | 8 |
| | 1500 | 150 | 10 | 56 | 5 | - | 6 |
| | 1650 | 150 | 11 | 54 | 5 | - | 4 |
| OBSOLETE | 1650 | 150 | 11 | 52 | 5 | - | 2 |
| | 1800 | 150 | 12 | 50 | 5 | - | 0 |
| | 1800 | 150 | 12 | 48 | 4 | - | 8 |
| | 1950 | 150 | 13 | 46 | 4 | - | 6 |
| | 1950 | 150 | 13 | 44 | 4 | - | 4 |
| | 2100 | 150 | 14 | 42 | 4 | - | 2 |
| | 2100 | 150 | 14 | 40 | 4 | - | 0 |
| | 2250 | 150 | 15 | 38 | 3 | - | 8 |
| OBSOLETE | 2400 | 150 | 16 | 36 | 3 | - | 6 |
| | 2550 | 150 | 17 | 34 | 3 | - | 4 |
| | 2700 | 150 | 18 | 32 | 3 | - | 2 |
| | 2850 | 150 | 19 | 30 | 3 | - | 0 |
| | 3150 | 150 | 21 | 28 | 2 | - | 8 |
| OBSOLETE | 3300 | 150 | 22 | 26 | 2 | - | 6 |
| | 3600 | 150 | 24 | 24 | 2 | - | 4 |
| | 3900 | 150 | 26 | 22 | 2 | - | 2 |
| | 4350 | 150 | 29 | 20 | 2 | - | 0 |
| | 4800 | 150 | 32 | 18 | 1 | - | 8 |
| | 5400 | 150 | 36 | 16 | 1 | - | 6 |
| | 6150 | 150 | 41 | 14 | 1 | - | 4 |
| | 7200 | 150 | 48 | 12 | 1 | - | 2 |
| OBSOLETE | 8550 | 150 | 57 | 10 | 1 | - | 0 |
| | 8550 | 150 | 57 | 9 | | | 1734531-9 |
| OBSOLETE | 10650 | 150 | 72 | 8 | | | 1734531-8 |
| | 14400 | 150 | 96 | 6 | | | 1734531-6 |
| | 21600 | 150 | 144 | 4 | | | 1734531-4 |

| | | | | | | | | | | | | | | | |
|--|--|-------------|--------|-----------|---------------------|------------------|--|--|-----|-----------|--------|------------|-----------|---------------|---|
| THIS DRAWING IS A CONTROLLED DOCUMENT. | | DWN | O.HU | 05JUL2005 | TE Connectivity | NAME | | AMPMODU 2.0mm PITCH, RCPT CONN., RIGHT-ANGLE, MOUNT TYPE | | | | | | | |
| DIMENSIONS: mm | | CHK | S.HOU | 05JUL2005 | | PRODUCT SPEC | | SIZE | A3 | CAGE CODE | 00779 | DRAWING NO | C-1734531 | RESTRICTED TO | - |
| TOLERANCES UNLESS OTHERWISE SPECIFIED: | | APVD | W.J.KE | 05JUL2005 | | APPLICATION SPEC | | SCALE | 1:1 | SHEET | 3 OF 3 | REV | D3 | | |
| MATERIAL | | FINISH | | WEIGHT | | CUSTOMER DRAWING | | SCALE | | SHEET | | REV | | | |
| SEE SHEET 1 | | SEE SHEET 1 | | - | | CUSTOMER DRAWING | | 1:1 | | 3 OF 3 | | D3 | | | |



Компания «ЭлектроПласт» предлагает заключение долгосрочных отношений при поставках импортных электронных компонентов на взаимовыгодных условиях!

Наши преимущества:

- Оперативные поставки широкого спектра электронных компонентов отечественного и импортного производства напрямую от производителей и с крупнейших мировых складов;
- Поставка более 17-ти миллионов наименований электронных компонентов;
- Поставка сложных, дефицитных, либо снятых с производства позиций;
- Оперативные сроки поставки под заказ (от 5 рабочих дней);
- Экспресс доставка в любую точку России;
- Техническая поддержка проекта, помощь в подборе аналогов, поставка прототипов;
- Система менеджмента качества сертифицирована по Международному стандарту ISO 9001;
- Лицензия ФСБ на осуществление работ с использованием сведений, составляющих государственную тайну;
- Поставка специализированных компонентов (Xilinx, Altera, Analog Devices, Intersil, Interpoint, Microsemi, Aeroflex, Peregrine, Syfer, Eurofarad, Texas Instrument, Miteq, Cobham, E2V, MA-COM, Hittite, Mini-Circuits, General Dynamics и др.);

Помимо этого, одним из направлений компании «ЭлектроПласт» является направление «Источники питания». Мы предлагаем Вам помощь Конструкторского отдела:

- Подбор оптимального решения, техническое обоснование при выборе компонента;
- Подбор аналогов;
- Консультации по применению компонента;
- Поставка образцов и прототипов;
- Техническая поддержка проекта;
- Защита от снятия компонента с производства.



Как с нами связаться

Телефон: 8 (812) 309 58 32 (многоканальный)

Факс: 8 (812) 320-02-42

Электронная почта: org@eplast1.ru

Адрес: 198099, г. Санкт-Петербург, ул. Калинина, дом 2, корпус 4, литера А.