

# 5000 series

Miniature toggle switches •  
threaded bushing Ø 6.35 mm or plain bushing



## DISTINCTIVE FEATURES

17 actuators including toggles, paddle levers and locking levers in different lengths.

Various contact materials for low and high currents.

8 functions including maintained and momentary versions.

1 to 4 pole configurations.

12 terminal types including 9 for PC board mounting.

Other types include quick-connect and wire-wrap.

Several bushing styles.

3 types of finish including military black.

3 approvals (UL - CSA - CECC).

4 types of sealing for terminal or front panel requirements.

Numerous accessories available.



# 5000 series

Miniature toggle switches • threaded bushing Ø 6.35 mm or plain bushing

## ELECTRICAL SPECIFICATIONS

- Current/voltage rating with resistive load :

| Contact                  | Maximum   | Minimum                  | Level*     |
|--------------------------|---|--------------------------|------------|
| Silver (A)               | 4 A 30 VDC  | 50 mA 10 VDC             | III and IV |
| Silver, gold plated (AD) | 4 A 30 VDC<br>Gold plating withstands up to 100 mA 30 VDC | 10 mA 50 mV<br>10 µA 5 V | I to IV    |
| Brass, gold plated (CD)  | 0.4 VA at 20 VAC or DC                                    | 10 mA 50 mV<br>10 µA 5 V | I and II   |

\*For details, see Technical Information on website.

- For inductive, lamp or capacitive load, consult factory.
- Initial contact resistance : 10 mΩ max.
- Insulation resistance : 1,000 MΩ min. at 500 VDC
- Dielectric strength :  
1,000 Vrms 50 Hz min. between terminals  
1,500 Vrms 50 Hz min. between poles  
1,500 Vrms 50 Hz min. between terminals and frame
- Contact bounce : 2 ms max.
- Electrical life at full load :  
50,000 cycles for single and double pole  
40,000 cycles for 3 pole  
30,000 cycles for 4 pole
- Low level or mechanical life : 100,000 cycles

## GENERAL SPECIFICATIONS

- Torque : 1.25 Nm (.922 Ft.lb) max. applied to nut
- Panel thickness : 2.5 mm (.098) with 2 nuts - 4 mm (.157) with 1 nut
- Operating temperature : -40 °C to +85 °C (-40 °F to +185 °F)

### AGENCY APPROVALS



3 A 250 VAC, 6 A 125 VAC

For VDE, refer to 55000 series.

NATO

**Availability** : consult factory for details of approved models.

**Marking** : to order switches marked UL, CSA or CECC, complete appropriate box of ordering format. The preferential list does not appear on the switches.

## MATERIALS

- Case : diallylphthalate (DAP) or high temperature plastic material (UL94-V0)
- Actuator : brass, nickel plated
- Paddles : UL94HB polyamide
- Lever caps : vinyl
- Bushing : brass, nickel plated
- Housing : stainless steel or steel tin plated
- Contacts  
A : silver  
AD : silver, gold plated  
CD : brass, gold plated  
X814 : for peak currents, see "Special options".
- Terminal seal : epoxy

APEM products may be recycled at end-of-life for the re-claiming of valuable metal components.

# 5000 series

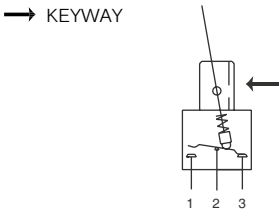
Miniature toggle switches • threaded bushing Ø 6.35 mm or plain bushing



## TERMINALS



## ELECTRICAL FUNCTION



## PANEL CUT-OUT



## PCB MOUNTING FOR RIGHT ANGLE TERMINAL MODELS

HORIZONTAL W



VERTICAL WW



# 5000 series

Miniature toggle switches •  
threaded bushing Ø 6.35 mm or plain bushing

## BUILD YOUR PART NUMBER

### BASIC PART NUMBER

|                        |   |             |                      |           |   |                            |  |          |
|------------------------|---|-------------|----------------------|-----------|---|----------------------------|--|----------|
| 5                      | —   | —           | —                    | —         | —   | —                          |  |          |
| SERIES                 | NUMBER OF POLES   |             |                      | TERMINALS |   | MOMENTARY FOR FUNCTION 4   |  |          |
|                        | 3   | Single pole |                      | Blank     | Solder lugs or straight PC depending on model           | 1R                         | ON ON MOM  |          |
|                        | 4   | Double pole |                      | W         | Right angle, horizontal mounting (5200 - 5400 switches) | 2R                         | MOM ON MOM   |          |
|                        | 5   | Three pole  |                      | WW        | Right angle, vertical mounting (5200 - 5400 switches)   |                            |  |          |
|                        | 6   | Four pole   |                      | Y•        | Bracket mounting (5200 switches)                        |                            |  |          |
|                        |   |             |                      | Z         | Quick-connect (5200 - 5900 switches)                    |                            |  |          |
| TERMINALS AND BUSHINGS |   |             | ELECTRICAL FUNCTIONS |           |   | CONNECTIONS FOR FUNCTION 4 |  |          |
| 0                      | Straight PC terminals, 5.08 (.200) terminal spacing   |             | 6                    | ON        | -   | ON                         | TH   | Standard |
| 2                      | Straight PC terminals, 4.70 (.185) terminal spacing, right angle or quick-connect                 |             | 9                    | ON        | OFF   | ON                         | CT   | Reversed |
| 4                      | Straight PC terminals, 4 (.157) terminal spacing or right angle terminals                         |             | 7                    | MOM       | OFF   | MOM                        | For functions 4, 4-1R, 4-2R (leave blank for all other functions).<br>Wiring diagrams, see Technical information on website. |          |
| 6                      | Solder lug terminals  |             | 8                    | ON        | OFF   | MOM                        |  |          |
| 7                      | Solder lug terminals, with <b>flatted</b> bushing   |             | 2                    | ON        | -   | MOM                        |  |          |
| 9                      | Straight PC or quick-connect terminals, with <b>flatted</b> bushing, 4.70 (.185) terminal spacing |             | 4                    | ON        | ON  | ON                         | <b>Function 4</b><br>Must not have blank in «connections» box.<br>▲ Must not have blank in «momentary» box.                  |          |
|                        |   |             | 4                    | ON        | ON  | MOM ▲                      |  |          |
|                        |   |             | 4                    | MOM       | ON  | MOM ▲                      |  |          |

Bushing Ø 6 (.236) x 0.75 IS also available as standard.

# 5000 series

Miniature toggle switches • threaded bushing Ø 6.35 mm or plain bushing

## OPTIONS



## ABOUT THIS SERIES

On the following pages, you will find successively basic part numbers of switches and options in the same order as in above chart.

- ⚠ **Notice** : please note that not all combinations of above numbers are available. Refer to the following pages for further information.
- 💧 **Sealing boots** are available. See "Sealing Boots" section of website.
- 🔧 **Mounting accessories** : standard hardware supplied with all models with Ø 6.35 (1/4) or Ø 6 (.236) threaded bushing : 2 hex nuts 8 mm (.314) across flats, 1 locking ring and 1 lockwasher. Standard and special hardware is presented in the "Hardware" section of website.

# 5000 series

Miniature toggle switches • threaded bushing Ø 6.35 mm

## SOLDER LUG TERMINALS SINGLE POLE



|      |
|------|
| 5636 |
| 5639 |
| 5637 |
| 5638 |
| 5632 |

| III | II  | I   |
|-----|-----|-----|
| 2-3 | -   | 1-2 |
| ON  | OFF | ON  |
| MOM | OFF | MOM |
| ON  | OFF | MOM |
| ON  | -   | MOM |

## SOLDER LUG TERMINALS DOUBLE POLE



|          |
|----------|
| 5646     |
| 5649     |
| 5647     |
| 5648     |
| 5642     |
| 5644*    |
| 5644 1R* |
| 5644 2R* |

| III        | II  | I          |
|------------|-----|------------|
| 2-3<br>5-6 | -   | 1-2<br>4-5 |
| ON         | OFF | ON         |
| MOM        | OFF | MOM        |
| ON         | OFF | MOM        |
| ON         | -   | MOM        |
| ON         | ON  | ON         |
| ON         | ON  | MOM        |
| MOM        | ON  | MOM        |

## SOLDER LUG TERMINALS THREE POLE



|      |
|------|
| 5656 |
| 5659 |
| 5657 |
| 5658 |
| 5652 |

| III               | II  | I                 |
|-------------------|-----|-------------------|
| 2-3<br>5-6<br>8-9 | -   | 1-2<br>4-5<br>7-8 |
| ON                | OFF | ON                |
| MOM               | OFF | MOM               |
| ON                | OFF | MOM               |
| ON                | -   | MOM               |

## SOLDER LUG TERMINALS FOUR POLE

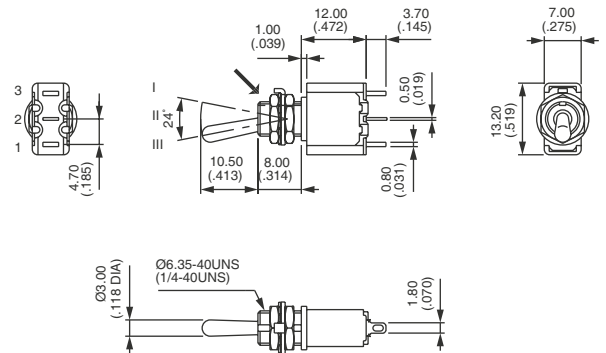


|          |
|----------|
| 5666     |
| 5669     |
| 5667     |
| 5668     |
| 5662     |
| 5664*    |
| 5664 1R* |
| 5664 2R* |

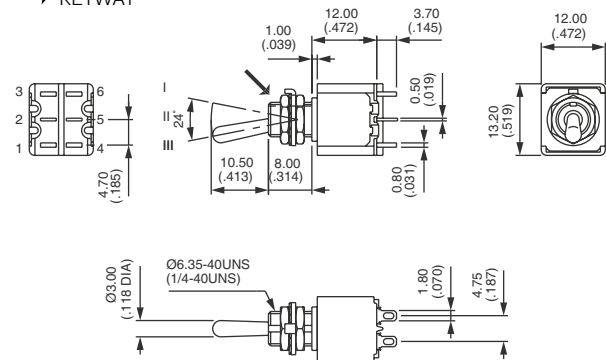
| III                        | II  | I                          |
|----------------------------|-----|----------------------------|
| 2-3<br>5-6<br>8-9<br>11-12 | -   | 1-2<br>4-5<br>7-8<br>10-11 |
| ON                         | OFF | ON                         |
| ON                         | OFF | ON                         |
| MOM                        | OFF | MOM                        |
| ON                         | OFF | MOM                        |
| ON                         | -   | MOM                        |
| ON                         | ON  | ON                         |
| ON                         | ON  | MOM                        |
| MOM                        | ON  | MOM                        |

→ KEYWAY

Shown with standard lever

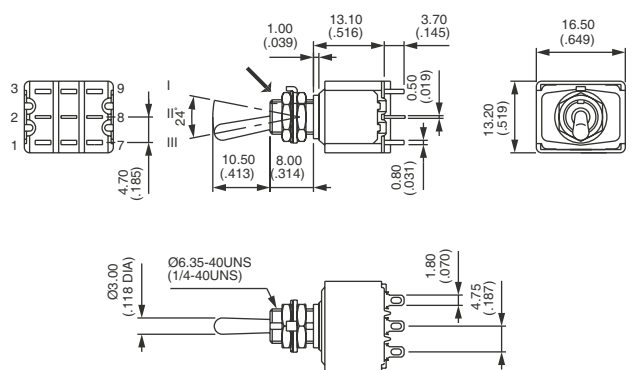


→ KEYWAY

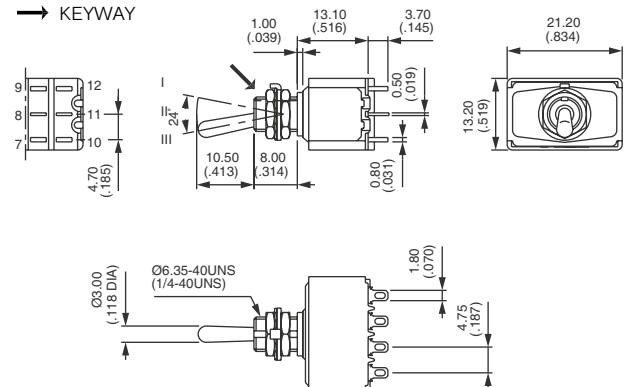


\* Function 4 : SP in DP case - specify CT or TH connections.

→ KEYWAY



→ KEYWAY



\* Function 4 : DP in 4P case - specify CT or TH connections.

All models above also available with flatted bushing : 5700 or with dia. 6 mm x 0.75 SI (.236 x 0.75 IS) : 5500.

# 5000 series

Miniature toggle switches • threaded bushing Ø 6.35 mm or plain bushing

## STRAIGHT PC TERMINALS - SPACING 4.7 (.185) SINGLE POLE



|        | III<br>2-3 | II  | I<br>1-2 |
|--------|------------|-----|----------|
| 5236 B | ON         | -   | ON       |
| 5239 B | ON         | OFF | ON       |
| 5237 B | MOM        | OFF | MOM      |
| 5238 B | ON         | OFF | MOM      |
| 5232 B | ON         | -   | MOM      |

## STRAIGHT PC TERMINALS - SPACING 4.7 (.185) DOUBLE POLE



|            | III<br>2-3<br>5-6 | II  | I<br>1-2<br>4-5 |
|------------|-------------------|-----|-----------------|
| 5246 B     | ON                | -   | ON              |
| 5249 B     | ON                | OFF | ON              |
| 5247 B     | MOM               | OFF | MOM             |
| 5248 B     | ON                | OFF | MOM             |
| 5242 B     | ON                | -   | MOM             |
| 5244 B*    | ON                | ON  | ON              |
| 5244 1R B* | ON                | ON  | MOM             |
| 5244 2R B* | MOM               | ON  | MOM             |

## STRAIGHT PC TERMINALS - SPACING 4.7 (.185) THREE POLE



|        | III<br>2-3<br>5-6<br>8-9 | II  | I<br>1-2<br>4-5<br>7-8 |
|--------|--------------------------|-----|------------------------|
| 5256 B | ON                       | -   | ON                     |
| 5259 B | ON                       | OFF | ON                     |
| 5257 B | MOM                      | OFF | MOM                    |
| 5258 B | ON                       | OFF | MOM                    |
| 5252 B | ON                       | -   | MOM                    |

## STRAIGHT PC TERMINALS - SPACING 4.7 (.185) FOUR POLE



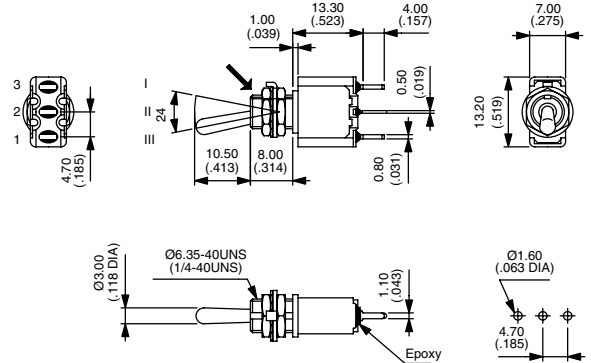
|            | III<br>2-3<br>5-6<br>8-9<br>11-12 | II  | I<br>1-2<br>4-5<br>7-8<br>10-11 |
|------------|-----------------------------------|-----|---------------------------------|
| 5266 B     | ON                                | -   | ON                              |
| 5269 B     | ON                                | OFF | ON                              |
| 5267 B     | MOM                               | OFF | MOM                             |
| 5268 B     | ON                                | OFF | MOM                             |
| 5262 B     | ON                                | -   | MOM                             |
| 5264 B*    | ON                                | ON  | ON                              |
| 5264 1R B* | ON                                | ON  | MOM                             |
| 5264 2R B* | MOM                               | ON  | MOM                             |

All models above : Epoxy sealed terminals standard (B).

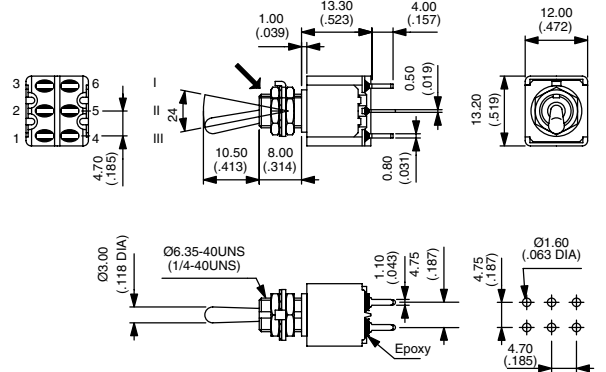
All models above also available with flatted bushing : 5900 or with terminal spacing 4 mm (.157) : 5400.

→ KEYWAY

Shown with standard lever

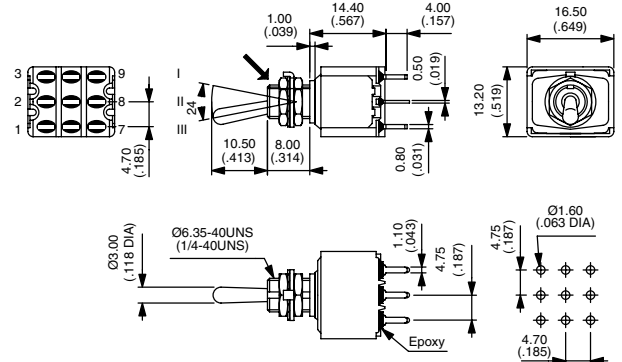


→ KEYWAY

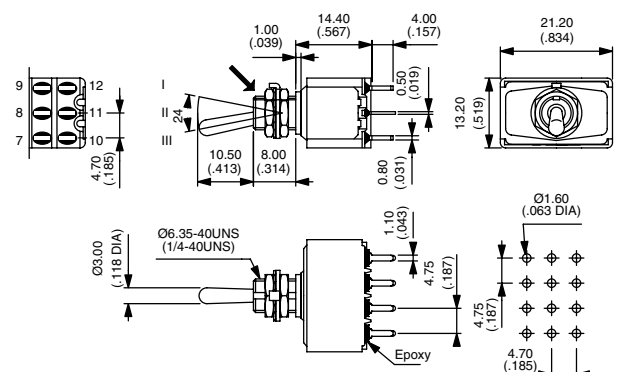


\* Function 4 : SP in DP case - specify CT or TH connections.

→ KEYWAY



→ KEYWAY



\* Function 4 : SP in DP case - specify CT or TH connections.



# 5000 series

Miniature toggle switches • threaded bushing Ø 6.35 mm or plain bushing

## STRAIGHT PC TERMINALS SPACING 5.08 (.200)



|  | Single pole | Double pole | III<br>2-3<br>5-6 | II<br>- | I<br>1-2<br>4-5 |
|--|-------------|-------------|-------------------|---------|-----------------|
|  | 5036 B      | 5046 B      | ON                | -       | ON              |
|  | 5039 B      | 5049 B      | ON                | OFF     | ON              |
|  | 5037 B      | 5047 B      | MOM               | OFF     | MOM             |
|  | 5038 B      | 5048 B      | ON                | OFF     | MOM             |
|  | 5032 B      | 5042 B      | ON                | -       | MOM             |
|  |             | 5044* B     | ON                | ON      | ON              |
|  |             | 5044 1R* B  | ON                | ON      | MOM             |
|  |             | 5044 2R* B  | MOM               | ON      | MOM             |

Epoxy sealed terminals standard (B).

## QUICK-CONNECT TERMINALS SINGLE POLE



|         | III<br>2-3 | II<br>- | I<br>1-2 |
|---------|------------|---------|----------|
| 5236Z B | ON         | -       | ON       |
| 5239Z B | ON         | OFF     | ON       |
| 5237Z B | MOM        | OFF     | MOM      |
| 5238Z B | ON         | OFF     | MOM      |
| 5232Z B | ON         | -       | MOM      |

Single and double pole models also available with flatted bushing : 5900Z.  
Epoxy sealed terminals standard (B).

## QUICK-CONNECT TERMINALS DOUBLE POLE



|             | III<br>2-3<br>5-6 | II<br>- | I<br>1-2<br>4-5 |
|-------------|-------------------|---------|-----------------|
| 5246Z B     | ON                | -       | ON              |
| 5249Z B     | ON                | OFF     | ON              |
| 5247Z B     | MOM               | OFF     | MOM             |
| 5248Z B     | ON                | OFF     | MOM             |
| 5242Z B     | ON                | -       | MOM             |
| 5244Z* B    | ON                | ON      | ON              |
| 5244Z 1R* B | ON                | ON      | MOM             |
| 5244Z 2R* B | MOM               | ON      | MOM             |

Epoxy sealed terminals standard (B).

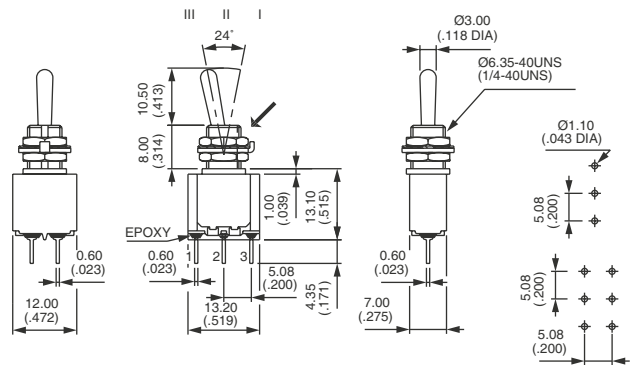
## RIGHT ANGLE TERMINALS - HORIZONTAL SINGLE POLE



|       | III<br>2-3 | II<br>- | I<br>1-2 |
|-------|------------|---------|----------|
| 5236W | ON         | -       | ON       |
| 5239W | ON         | OFF     | ON       |
| 5237W | MOM        | OFF     | MOM      |
| 5238W | ON         | OFF     | MOM      |
| 5232W | ON         | -       | MOM      |

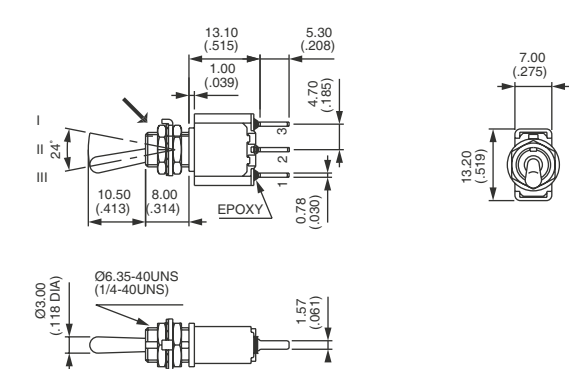
Also available with terminal spacing 4 mm (.157) instead of 4.7 (.185) : 5400W.

→ KEYWAY

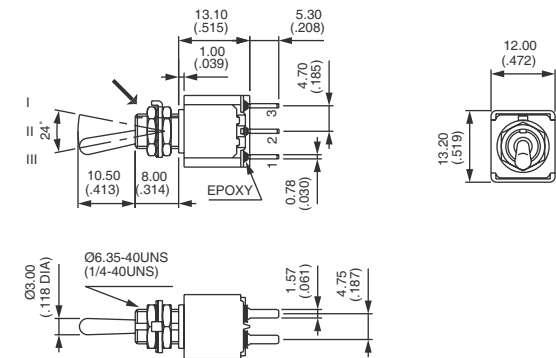


\* Function 4 : SP in DP case - specify CT or TH connections.

→ KEYWAY

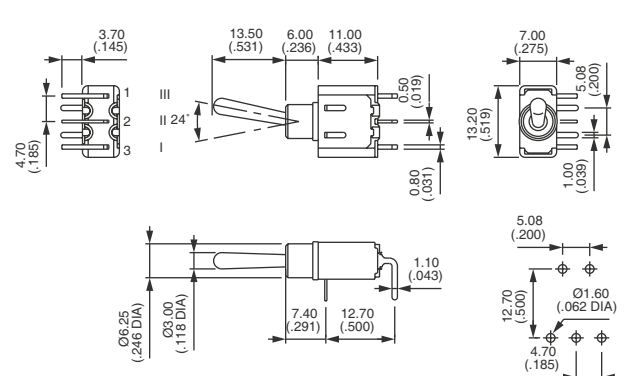


→ KEYWAY



\* Function 4 : SP in DP case - specify CT or TH connections.

→ KEYWAY





# 5000 series

Miniature toggle switches • plain bushing

## RIGHT ANGLE TERMINALS - HORIZONTAL DOUBLE POLE



|           | III | II  | I   |
|-----------|-----|-----|-----|
|           | 2-3 |     | 1-2 |
|           | 5-6 |     | 4-5 |
| 5246W     | ON  | -   | ON  |
| 5249W     | ON  | OFF | ON  |
| 5247W     | MOM | OFF | MOM |
| 5248W     | ON  | OFF | MOM |
| 5242W     | ON  | -   | MOM |
| 5244W*    | ON  | ON  | ON  |
| 5244W 1R* | ON  | ON  | MOM |
| 5244W 2R* | MOM | ON  | MOM |

Also available with terminal spacing 4 mm (.157) instead of 4.7 (.185) : 5400W.

## RIGHT ANGLE TERMINALS - HORIZONTAL THREE POLE



|       | III | II  | I   |
|-------|-----|-----|-----|
|       | 2-3 |     | 1-2 |
|       | 5-6 |     | 4-5 |
|       | 8-9 |     | 7-8 |
| 5256W | ON  | -   | ON  |
| 5259W | ON  | OFF | ON  |
| 5257W | MOM | OFF | MOM |
| 5258W | ON  | OFF | MOM |
| 5252W | ON  | -   | MOM |

## RIGHT ANGLE TERMINALS - VERTICAL SINGLE POLE



|          | III | II  | I   |
|----------|-----|-----|-----|
|          | 2-3 |     | 1-2 |
| 5236WW   | ON  | -   | ON  |
| 5239WW   | ON  | OFF | ON  |
| 5237WW   | MOM | OFF | MOM |
| 5238WW** | ON  | OFF | MOM |
| 5232WW** | ON  | -   | MOM |

## RIGHT ANGLE TERMINALS - VERTICAL DOUBLE POLE



|            | III | II  | I   |
|------------|-----|-----|-----|
|            | 2-3 |     | 1-2 |
|            | 5-6 |     | 4-5 |
| 5246WW     | ON  | -   | ON  |
| 5249WW     | ON  | OFF | ON  |
| 5247WW     | MOM | OFF | MOM |
| 5248WW**   | ON  | OFF | MOM |
| 5242WW**   | ON  | -   | MOM |
| 5244WW*    | ON  | ON  | ON  |
| 5244WW 1R* | ON  | ON  | MOM |
| 5244WW 2R* | MOM | ON  | MOM |

Vertical right angle models above : \* Function 4 : SP in DP case, DP in 4P case - specify CT or TH connections.

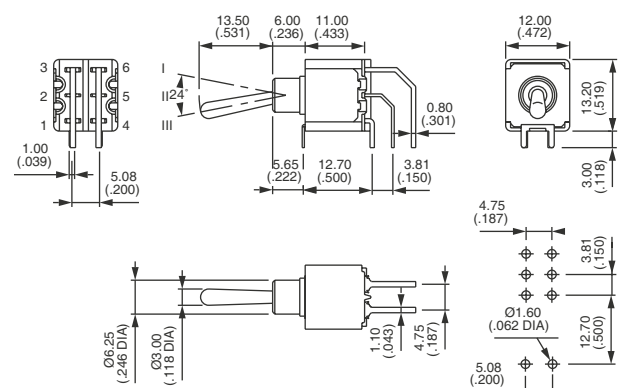
\*\* Functions 2 and 8 : reversed connection available, consult factory.

Also available with pin spacing 2.54 mm (.100) instead of 3.81 mm (.150) : 5400WW

Shown with standard lever



\* Function 4 : SP in DP case - specify CT or TH connections.



# 5000 series

Miniature toggle switches • plain bushing

## RIGHT ANGLE TERMINALS - VERTICAL THREE POLE



|          | III | II  | I   |
|----------|-----|-----|-----|
|          | 2-3 |     | 1-2 |
|          | 5-6 |     | 4-5 |
|          | 8-9 |     | 7-8 |
| 5256WW   | ON  | -   | ON  |
| 5259WW   | ON  | OFF | ON  |
| 5257WW   | MOM | OFF | MOM |
| 5258WW** | ON  | OFF | MOM |
| 5252WW** | ON  | -   | MOM |

\*\* Functions 2 and 8 : reversed connection available, consult factory.

## RIGHT ANGLE TERMINALS - VERTICAL FOUR POLE



|            | III   | II  | I     |
|------------|-------|-----|-------|
|            | 2-3   |     | 1-2   |
|            | 5-6   |     | 4-5   |
|            | 8-9   |     | 7-8   |
|            | 11-12 |     | 10-11 |
| 5266WW     | ON    | -   | ON    |
| 5269WW     | ON    | OFF | ON    |
| 5267WW     | MOM   | OFF | MOM   |
| 5268WW**   | ON    | OFF | MOM   |
| 5262WW**   | ON    | -   | MOM   |
| 5264WW*    | ON    | ON  | ON    |
| 5264WW 1R* | ON    | ON  | MOM   |
| 5264WW 2R* | MOM   | ON  | MOM   |

Vertical right angle models above also available with terminal spacing 2.54 mm (.100) instead of 3.81 mm (.150) : 5400WW.

## SHORT BRACKET - WIDTH 15.75 (.620) SINGLE POLE



|         | III | II  | I   |
|---------|-----|-----|-----|
|         | 2-3 |     | 1-2 |
| 5236Y B | ON  | -   | ON  |
| 5239Y B | ON  | OFF | ON  |
| 5237Y B | MOM | OFF | MOM |
| 5238Y B | ON  | OFF | MOM |
| 5232Y B | ON  | -   | MOM |

Epoxy sealed terminals standard (B).

## SHORT BRACKET - WIDTH 15.75 (.620) DOUBLE POLE



|             | III | II  | I   |
|-------------|-----|-----|-----|
|             | 2-3 |     | 1-2 |
|             | 5-6 |     | 4-5 |
| 5246Y B     | ON  | -   | ON  |
| 5249Y B     | ON  | OFF | ON  |
| 5247Y B     | MOM | OFF | MOM |
| 5248Y B     | ON  | OFF | MOM |
| 5242Y B     | ON  | -   | MOM |
| 5244Y B*    | ON  | ON  | ON  |
| 5244Y 1R B* | ON  | ON  | MOM |
| 5244Y 2R B* | MOM | ON  | MOM |

Epoxy sealed terminals standard (B).

Shown with standard lever



\* Function 4 : SP in DP case, DP in 4P case - specify CT or TH connections.



\*Function 4 : SP in DP case - specify CT or TH connections.

# 5000 series

Miniature toggle switches • plain bushing

## TALL BRACKET - WIDTH 15.75 (.620)



| Single pole | Double pole  | III | II  | I   |
|-------------|--------------|-----|-----|-----|
| 5236Y4 B    | 5246Y4 B     | 2-3 | -   | 1-2 |
| 5239Y4 B    | 5249Y4 B     | 5-6 | -   | 4-5 |
| 5237Y4 B    | 5247Y4 B     | ON  | OFF | ON  |
| 5238Y4 B    | 5248Y4 B     | MOM | OFF | MOM |
| 5232Y4 B    | 5242Y4 B     | ON  | -   | MOM |
|             | 5244Y4 B*    | ON  | ON  | ON  |
|             | 5244Y4 1R B* | ON  | ON  | MOM |
|             | 5244Y4 2R B* | MOM | ON  | MOM |



## SHORT BRACKET - WIDTH 19.05 (.750)



| Single pole | Double pole  | III | II  | I   |
|-------------|--------------|-----|-----|-----|
| 5236Y6 B    | 5246Y6 B     | 2-3 | -   | 1-2 |
| 5239Y6 B    | 5249Y6 B     | 5-6 | -   | 4-5 |
| 5237Y6 B    | 5247Y6 B     | ON  | OFF | ON  |
| 5238Y6 B    | 5248Y6 B     | MOM | OFF | MOM |
| 5232Y6 B    | 5242Y6 B     | ON  | -   | MOM |
|             | 5244Y6 B*    | ON  | ON  | ON  |
|             | 5244Y6 1R B* | ON  | ON  | MOM |
|             | 5244Y6 2R B* | MOM | ON  | MOM |



## TALL BRACKET - WIDTH 19.05 (.750)



| Single pole | Double pole  | III | II  | I   |
|-------------|--------------|-----|-----|-----|
| 5236Y7 B    | 5246Y7 B     | 2-3 | -   | 1-2 |
| 5239Y7 B    | 5249Y7 B     | 5-6 | -   | 4-5 |
| 5237Y7 B    | 5247Y7 B     | ON  | OFF | ON  |
| 5238Y7 B    | 5248Y7 B     | MOM | OFF | MOM |
| 5232Y7 B    | 5242Y7 B     | ON  | -   | MOM |
|             | 5244Y7 B*    | ON  | ON  | ON  |
|             | 5244Y7 1R B* | ON  | ON  | MOM |
|             | 5244Y7 2R B* | MOM | ON  | MOM |



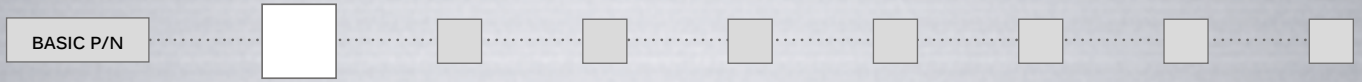
Epoxy sealed terminals standard (B).

\* Function 4 : SP in DP case - specify CT or TH connections.

# 5000 series

Miniature toggle switches •  
threaded bushing Ø 6.35 mm or plain bushing

### CONTACT MATERIALS



- A Silver
  - AD Silver, gold plated
  - CD Brass, gold plated
- Special contacts for peak currents : see X814, under "Special Options".

### FINISH



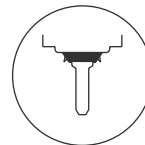
- Blank Nickel plated
- G Black finish on bushing, actuator and hardware

### SEALING

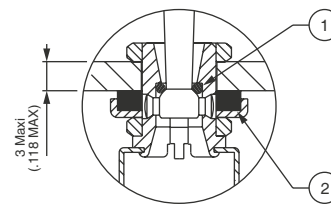


- Blank
  - For 5000 and 5200Z models : epoxy sealed terminals standard
  - Other models : no sealing required
- K Front panel sealing by one O-ring and sealing washer. Protects the switch against water and dust. Panel seal withstands 1 bar pressure and remains sealed even when switch is operated.
  - ⚠ Available on models with Ø 6.35 (1/4) **threaded bushing only**.
  - Not available with levers 8, 9, 12, 22, 23.
- B Epoxy sealed terminals
- KB Combined sealings

#### OPTION B



#### OPTION K



- ① O-ring
- ② Sealing washer

Sealing by two O-rings, see X408 under "Special options".

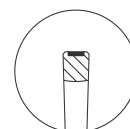
K with Ø 6.35 (1/4) keyway bushing includes washer **U360**

K with Ø 6.35 (1/4) flatted bushing includes washer **U5141**

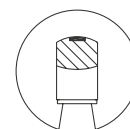
### FLUORESCENT TIP



- Blank None
- 038 White fluorescent tip. Becomes luminous when submitted to ultraviolet rays.
  - ⚠ Available with black finish (option G) only.
  - Consult factory for levers available with this option.



-19 Standard lever



Locking lever

Same dimensions as standard actuator on next page.

# 5000 series

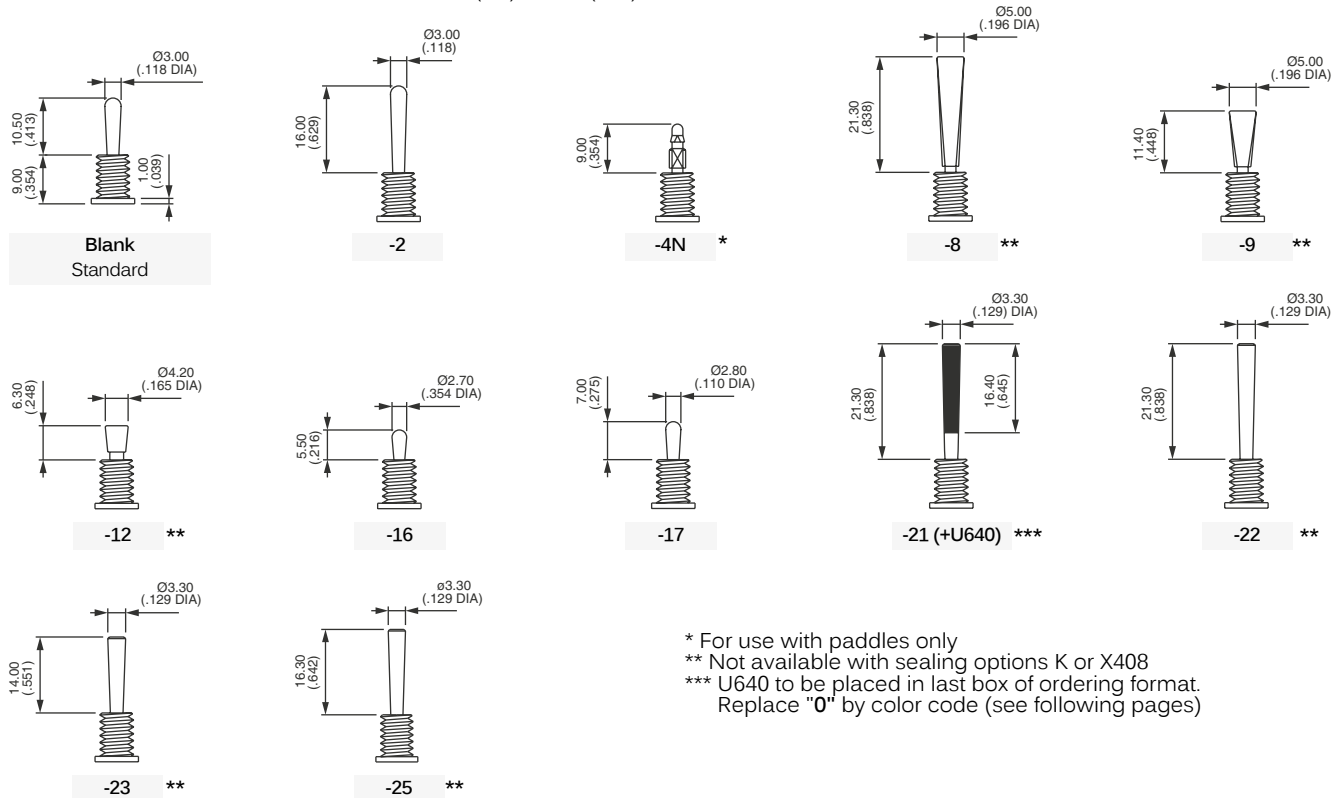
Miniature toggle switches • threaded bushing Ø 6.35 mm or plain bushing

## ACTUATORS



Dash compulsory before lever code.

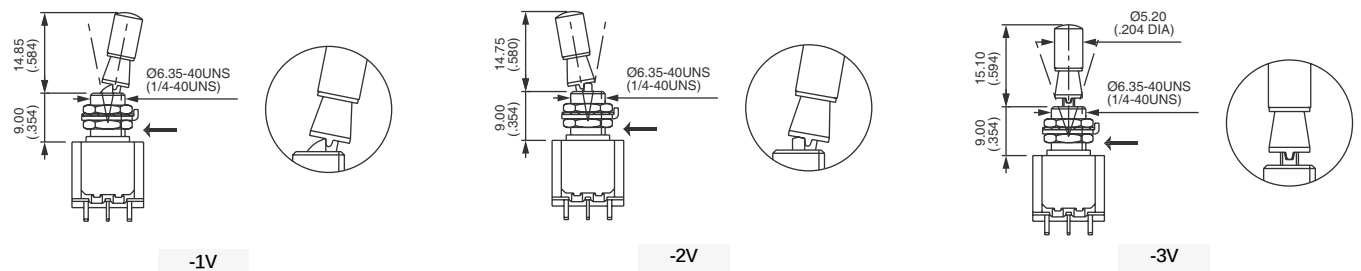
### LEVERS FOR THREADED BUSHING MODELS Ø 6,35 (1/4) OR Ø 6 (.236)



### LOCKING LEVERS FOR THREADED BUSHING MODELS Ø 6,35 (1/4)

- 1V 1 locked position (function 6)
- 2V 2 locked position (function 6)
- 3V 3 locked positions (functions 9 and 4)

#### KEYWAY



Consult factory for other locking lever options.

For plain bushing models, see X386 or X916 under "Special options" on the following pages.

# 5000 series

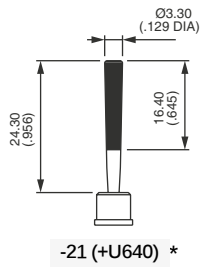
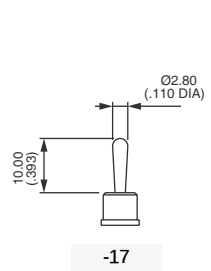
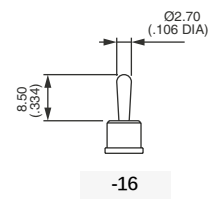
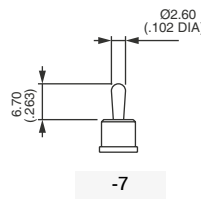
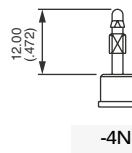
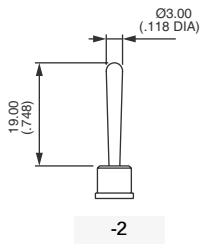
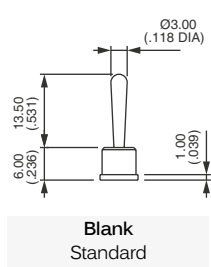
Miniature toggle switches •  
threaded bushing Ø 6.35 mm or plain bushing

## ACTUATORS (CONTINUED)



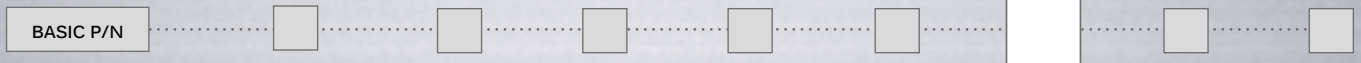
LEVERS FOR PLAIN BUSHING MODELS : W - WW AND Y

Lever length : With bracket or mounting plate lever length will be reduced by 0.4 mm (.015) as a rule. Please refer to switch technical drawings of basic models pages for details.



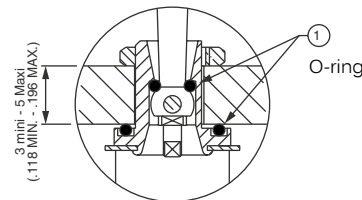
\* U640 to be placed in last box of ordering format.  
For actuator colors, replace «0» by color code (see following pages)

## SPECIAL OPTIONS

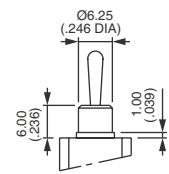


**Blank** No special requirement

**X408** Front panel sealing by two O-rings. Flatted bushing for precise orientation. Protects the switch against water and dust. Panel seal withstands 1 bar pressure and remains sealed even when switch is operated. Includes sealed terminals (option B).  
⚠ Available only on models with threaded bushing.  
Not available with levers 8, 9, 12, 22, 23.



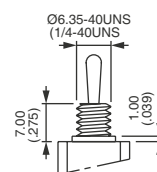
**X408**



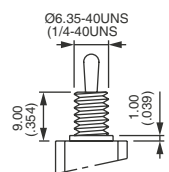
**X371**

**X371** Plain bushing Ø 6.25 mm (.246) (instead of standard threaded bushing).

**X372** Threaded bushing Ø 6.35 (1/4). **Height 7 mm (.274).**



**X372**



**X386**

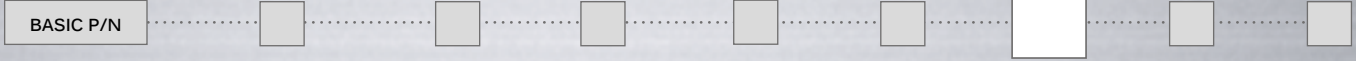
**X386** Threaded bushing Ø 6.35 mm (1/4) to replace plain bushing on models W - WW and Y.



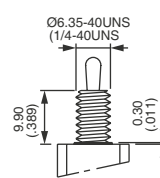
# 5000 series

Miniature toggle switches • threaded bushing Ø 6.35 mm or plain bushing

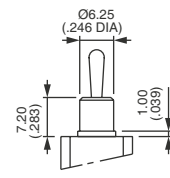
## SPECIAL OPTIONS (CONTINUED)



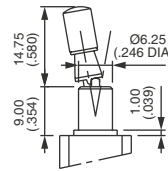
- X442** Threaded bushing Ø 6.35 mm (1/4) - Height 9.9 mm (.389).
- X445** Plain bushing. Height 7.2 mm (.283) - for W, WW and Y models.  
Available with the same levers, insulating cap and paddles as X404.
- X601** **Silver plated brass contacts.**  
Current/voltage rating for an electrical life of 20,000 cycles : 0.5 A 30 VDC. Minimum quantity : 5,000 pieces per model and shipment.
- X681** **Satin chrome actuator**
- X814** **Switches for peak currents** - single and double pole.  
On request.
- X902** Plain bushing Ø 6.25 mm (.246) - Height 9 mm (.354) (not available with K sealing option).
- X916** Locking lever on model with plain bushing.
- X404** **Horizontal right angle (W) with reduced overall dimensions** (shown with lever -16)



X442



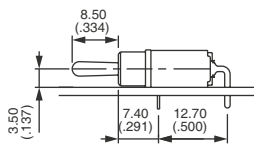
X445



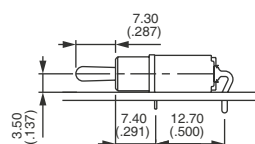
X916

⚠ With options X372, X386, X442 and X445, the lever lengths indicated on previous pages will be modified.

### OPTION X404



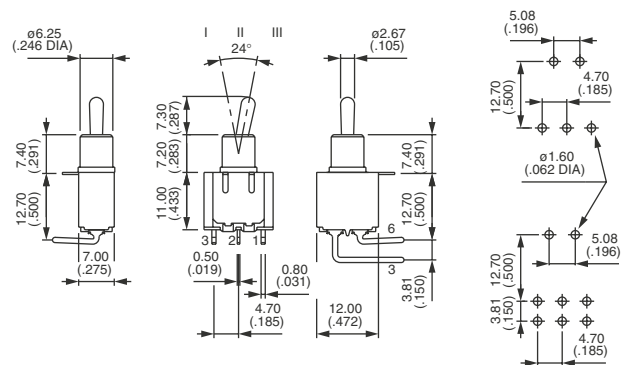
Standard W



Option X404



|             |                | III | II  | I   |
|-------------|----------------|-----|-----|-----|
| Single pole | Double pole    | 2-3 |     | 1-2 |
| 5236W X404  | 5246W X404     | ON  | -   | ON  |
| 5239W X404  | 5249W X404     | ON  | OFF | ON  |
| 5237W X404  | 5247W X404     | MOM | OFF | MOM |
| 5238W X404  | 5248W X404     | ON  | OFF | MOM |
| 5232W X404  | 5242W X404     | ON  | -   | MOM |
|             | 5244W X404*    | ON  | ON  | ON  |
|             | 5244W 1R X404* | ON  | ON  | MOM |
|             | 5244W 2R X404* | MOM | ON  | MOM |



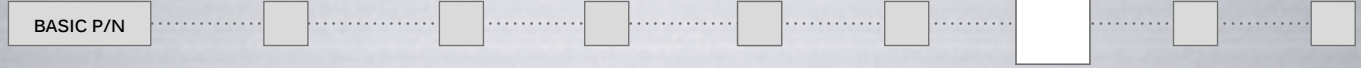
\* Function 4 : SP in DP case - specify CT or TH connections



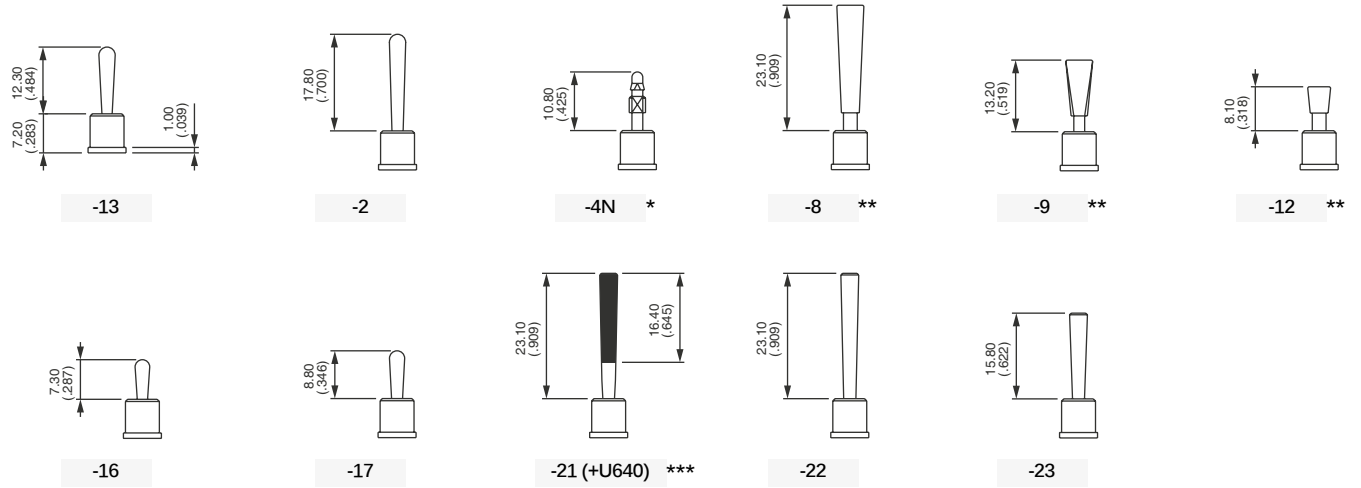
# 5000 series

Miniature toggle switches •  
 threaded bushing Ø 6.35 mm or plain bushing

## SPECIAL OPTIONS (CONTINUED)



OPTION X404 (CONTINUED)  
 LEVERS LENGTHS FOR X404 (ALSO AVAILABLE WITH X445 OPTION)



- \* For paddles
- \*\* Levers -8, -9 and -12 not available with function 2 (ON-MOM)
- \*\*\* U640 to be placed in last box of ordering format. Replace "0" with color code.

### Insulating caps and paddles for X404 :

Insulating cap U1710 available with lever style 16.  
 Paddles U240N, U290N and U390N available with lever style 4N. See details on next page..

## AGENCY APPROVALS



- Blank No agency approval required.
- UL All standard models
- CSA
- CECC Standard models 5600 - 5200

**Availability :** consult factory for details of approved combinations or options.

**Marking :** to order switches marked UL, CSA or CECC, complete above box with desired approvals, in this order & without space (ex. : ULCSACECC). **VDE (with UL & CSA) :** Refer to 55000 series.

Preferential lists : see specifications.

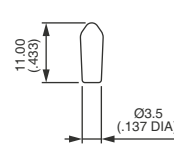
# 5000 series

Miniature toggle switches •  
threaded bushing Ø 6.35 mm or plain bushing

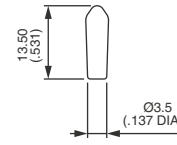
## INSULATING CAPS

BASIC P/N

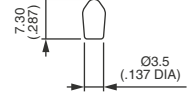
- U270** For standard lever & threaded bushing only
- U1040** For standard lever & plain bushing only
- U1710** For lever 17 and threaded bushing  
For lever 7 and plain bushing



U270



U1040



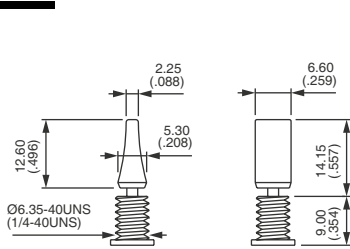
U1710

For cap colors, replace "0" with number :

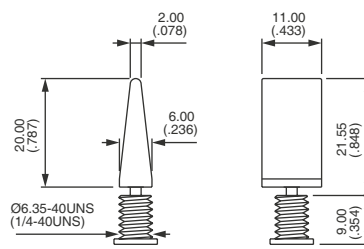
- 1 Blue
- 1/4 Dark blue
- 2 Black
- 3 Green
- 4 Grey
- 5 Yellow
- 6 Red
- 7/1 White
- 9 Orange

## PADDLES

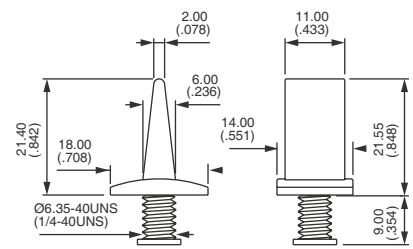
For use with lever 4N only. Shown with standard threaded bushing. Order separately.



U240N



U290N



U390N

For cap colors, replace "0" with number :

- 1 Blue
- 1/4 Dark blue
- 2 Black
- 3 Green
- 4 Grey
- 5 Yellow
- 6 Red
- 7 Ivory
- 7/1 White
- 9 Orange



Компания «ЭлектроПласт» предлагает заключение долгосрочных отношений при поставках импортных электронных компонентов на взаимовыгодных условиях!

Наши преимущества:

- Оперативные поставки широкого спектра электронных компонентов отечественного и импортного производства напрямую от производителей и с крупнейших мировых складов;
- Поставка более 17-ти миллионов наименований электронных компонентов;
- Поставка сложных, дефицитных, либо снятых с производства позиций;
- Оперативные сроки поставки под заказ (от 5 рабочих дней);
- Экспресс доставка в любую точку России;
- Техническая поддержка проекта, помощь в подборе аналогов, поставка прототипов;
- Система менеджмента качества сертифицирована по Международному стандарту ISO 9001;
- Лицензия ФСБ на осуществление работ с использованием сведений, составляющих государственную тайну;
- Поставка специализированных компонентов (Xilinx, Altera, Analog Devices, Intersil, Interpoint, Microsemi, Aeroflex, Peregrine, Syfer, Eurofarad, Texas Instrument, Miteq, Cobham, E2V, MA-COM, Hittite, Mini-Circuits, General Dynamics и др.);

Помимо этого, одним из направлений компании «ЭлектроПласт» является направление «Источники питания». Мы предлагаем Вам помощь Конструкторского отдела:

- Подбор оптимального решения, техническое обоснование при выборе компонента;
- Подбор аналогов;
- Консультации по применению компонента;
- Поставка образцов и прототипов;
- Техническая поддержка проекта;
- Защита от снятия компонента с производства.



#### Как с нами связаться

**Телефон:** 8 (812) 309 58 32 (многоканальный)

**Факс:** 8 (812) 320-02-42

**Электронная почта:** [org@eplast1.ru](mailto:org@eplast1.ru)

**Адрес:** 198099, г. Санкт-Петербург, ул. Калинина, дом 2, корпус 4, литера А.