

5000 series

Miniature toggle switches •
threaded bushing Ø 6.35 mm or plain bushing



DISTINCTIVE FEATURES

17 actuators including toggles, paddle levers and locking levers in different lengths.

Various contact materials for low and high currents.

8 functions including maintained and momentary versions.

1 to 4 pole configurations.

12 terminal types including 9 for PC board mounting.

Other types include quick-connect and wire-wrap.

Several bushing styles.

3 types of finish including military black.

3 approvals (UL - CSA - CECC).

4 types of sealing for terminal or front panel requirements.

Numerous accessories available.



5000 series

Miniature toggle switches • threaded bushing Ø 6.35 mm or plain bushing

ELECTRICAL SPECIFICATIONS

- Current/voltage rating with resistive load :

Contact	Maximum	Minimum	Level*
Silver (A)	4 A 30 VDC	50 mA 10 VDC	III and IV
Silver, gold plated (AD)	4 A 30 VDC Gold plating withstands up to 100 mA 30 VDC	10 mA 50 mV 10 µA 5 V	I to IV
Brass, gold plated (CD)	0.4 VA at 20 VAC or DC	10 mA 50 mV 10 µA 5 V	I and II

*For details, see Technical Information on website.

- For inductive, lamp or capacitive load, consult factory.
- Initial contact resistance : 10 mΩ max.
- Insulation resistance : 1,000 MΩ min. at 500 VDC
- Dielectric strength :
1,000 Vrms 50 Hz min. between terminals
1,500 Vrms 50 Hz min. between poles
1,500 Vrms 50 Hz min. between terminals and frame
- Contact bounce : 2 ms max.
- Electrical life at full load :
50,000 cycles for single and double pole
40,000 cycles for 3 pole
30,000 cycles for 4 pole
- Low level or mechanical life : 100,000 cycles

GENERAL SPECIFICATIONS

- Torque : 1.25 Nm (.922 Ft.lb) max. applied to nut
- Panel thickness : 2.5 mm (.098) with 2 nuts - 4 mm (.157) with 1 nut
- Operating temperature : -40 °C to +85 °C (-40 °F to +185 °F)

AGENCY APPROVALS



3 A 250 VAC, 6 A 125 VAC

For VDE, refer to 55000 series.

NATO

Availability : consult factory for details of approved models.

Marking : to order switches marked UL, CSA or CECC, complete appropriate box of ordering format. The preferential list does not appear on the switches.

MATERIALS

- Case : diallylphthalate (DAP) or high temperature plastic material (UL94-V0)
- Actuator : brass, nickel plated
- Paddles : UL94HB polyamide
- Lever caps : vinyl
- Bushing : brass, nickel plated
- Housing : stainless steel or steel tin plated
- Contacts
A : silver
AD : silver, gold plated
CD : brass, gold plated
X814 : for peak currents, see "Special options".
- Terminal seal : epoxy

APEM products may be recycled at end-of-life for the re-claiming of valuable metal components.

5000 series

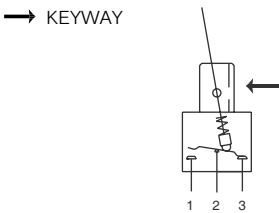
Miniature toggle switches • threaded bushing Ø 6.35 mm or plain bushing



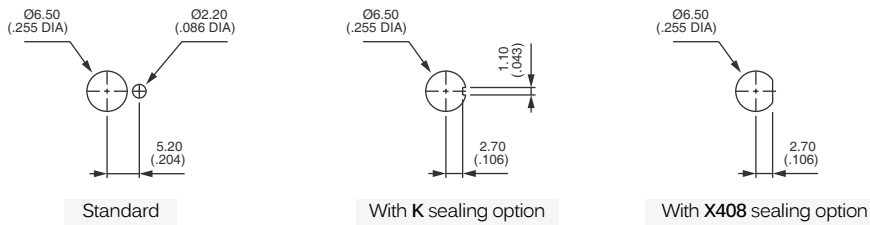
TERMINALS



ELECTRICAL FUNCTION

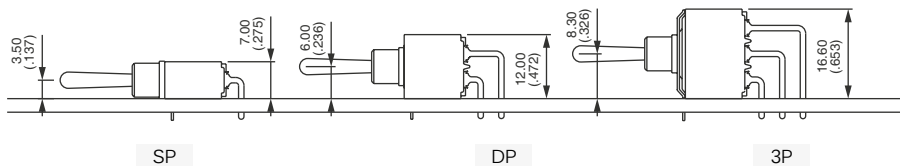


PANEL CUT-OUT

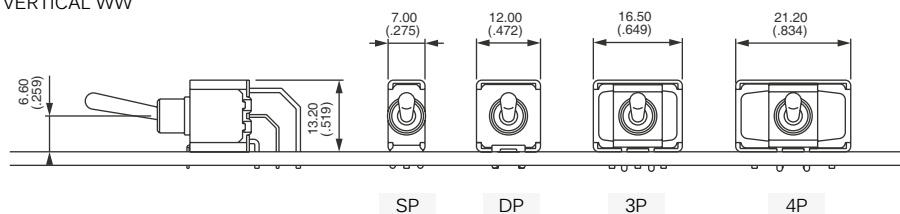


PCB MOUNTING FOR RIGHT ANGLE TERMINAL MODELS

HORIZONTAL W



VERTICAL WW



5000 series

Miniature toggle switches •
threaded bushing Ø 6.35 mm or plain bushing

BUILD YOUR PART NUMBER

BASIC PART NUMBER

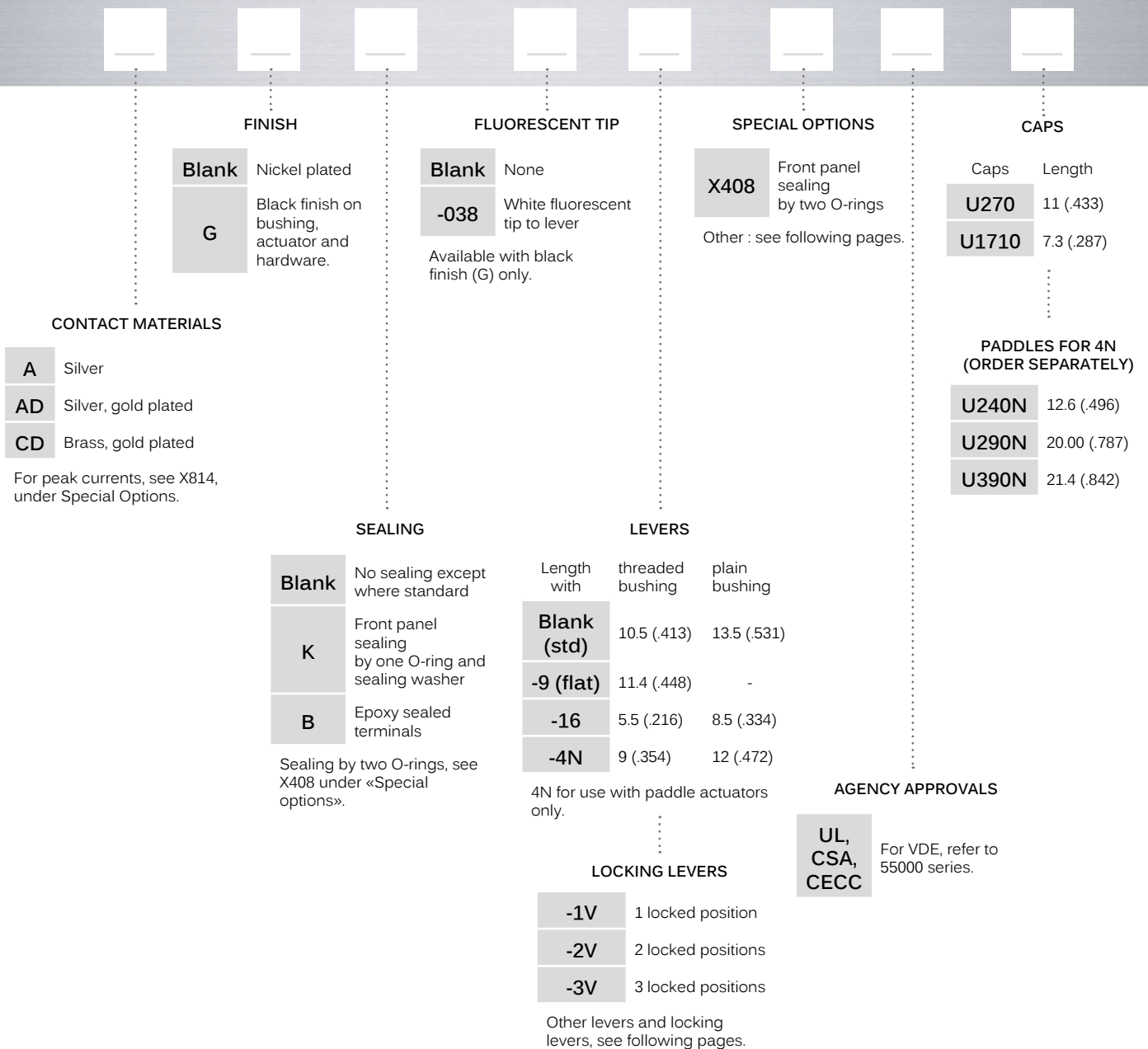
5	—	—	—	—	—	—		
SERIES	NUMBER OF POLES			TERMINALS		MOMENTARY FOR FUNCTION 4		
	3	Single pole		Blank	Solder lugs or straight PC depending on model	1R	ON ON MOM	
	4	Double pole		W	Right angle, horizontal mounting (5200 - 5400 switches)	2R	MOM ON MOM	
	5	Three pole		WW	Right angle, vertical mounting (5200 - 5400 switches)			
	6	Four pole		Y•	Bracket mounting (5200 switches)			
				Z	Quick-connect (5200 - 5900 switches)			
TERMINALS AND BUSHINGS			ELECTRICAL FUNCTIONS			CONNECTIONS FOR FUNCTION 4		
0	Straight PC terminals, 5.08 (.200) terminal spacing		6	ON	-	ON	TH	Standard
2	Straight PC terminals, 4.70 (.185) terminal spacing, right angle or quick-connect		9	ON	OFF	ON	CT	Reversed
4	Straight PC terminals, 4 (.157) terminal spacing or right angle terminals		7	MOM	OFF	MOM	For functions 4, 4-1R, 4-2R (leave blank for all other functions). Wiring diagrams, see Technical information on website.	
6	Solder lug terminals		8	ON	OFF	MOM		
7	Solder lug terminals, with flatted bushing		2	ON	-	MOM		
9	Straight PC or quick-connect terminals, with flatted bushing, 4.70 (.185) terminal spacing		4	ON	ON	ON	Function 4 Must not have blank in «connections» box. ▲ Must not have blank in «momentary» box.	
			4	ON	ON	MOM ▲		
			4	MOM	ON	MOM ▲		

Bushing Ø 6 (.236) x 0.75 IS also available as standard.

5000 series

Miniature toggle switches • threaded bushing Ø 6.35 mm or plain bushing

OPTIONS



ABOUT THIS SERIES

On the following pages, you will find successively basic part numbers of switches and options in the same order as in above chart.

- ⚠ **Notice** : please note that not all combinations of above numbers are available. Refer to the following pages for further information.
- 💧 **Sealing boots** are available. See "Sealing Boots" section of website.
- 🔧 **Mounting accessories** : standard hardware supplied with all models with Ø 6.35 (1/4) or Ø 6 (.236) threaded bushing : 2 hex nuts 8 mm (.314) across flats, 1 locking ring and 1 lockwasher. Standard and special hardware is presented in the "Hardware" section of website.

5000 series

Miniature toggle switches • threaded bushing Ø 6.35 mm

SOLDER LUG TERMINALS SINGLE POLE



5636
5639
5637
5638
5632

III	II	I
2-3	-	1-2
ON	OFF	ON
MOM	OFF	MOM
ON	OFF	MOM
ON	-	MOM

SOLDER LUG TERMINALS DOUBLE POLE



5646
5649
5647
5648
5642
5644*
5644 1R*
5644 2R*

III	II	I
2-3 5-6	-	1-2 4-5
ON	OFF	ON
MOM	OFF	MOM
ON	OFF	MOM
ON	-	MOM
ON	ON	ON
ON	ON	MOM
MOM	ON	MOM

SOLDER LUG TERMINALS THREE POLE



5656
5659
5657
5658
5652

III	II	I
2-3 5-6 8-9	-	1-2 4-5 7-8
ON	OFF	ON
MOM	OFF	MOM
ON	OFF	MOM
ON	-	MOM

SOLDER LUG TERMINALS FOUR POLE

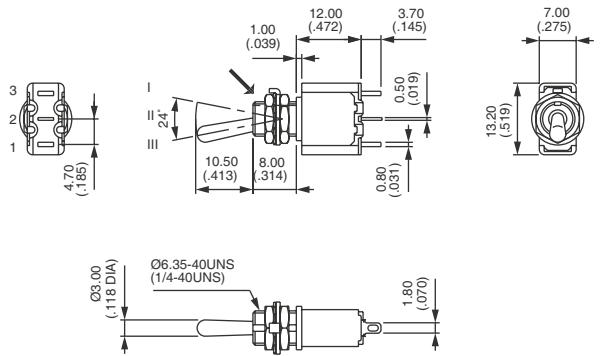


5666
5669
5667
5668
5662
5664*
5664 1R*
5664 2R*

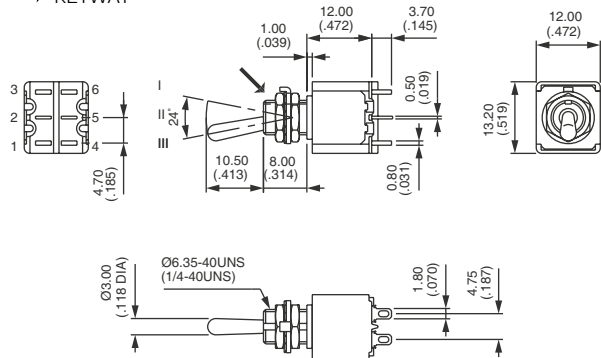
III	II	I
2-3 5-6 8-9 11-12	-	1-2 4-5 7-8 10-11
ON	OFF	ON
ON	OFF	ON
MOM	OFF	MOM
ON	OFF	MOM
ON	-	MOM
ON	ON	ON
ON	ON	MOM
MOM	ON	MOM

→ KEYWAY

Shown with standard lever

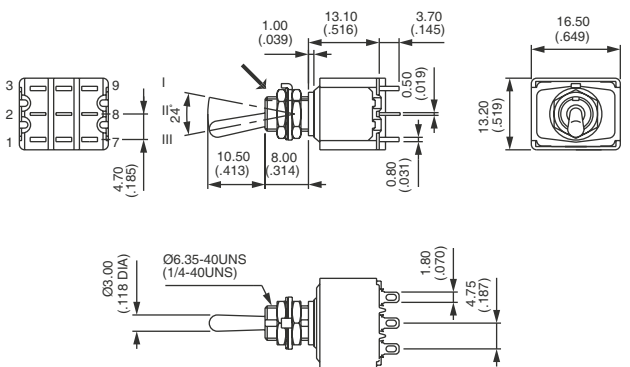


→ KEYWAY

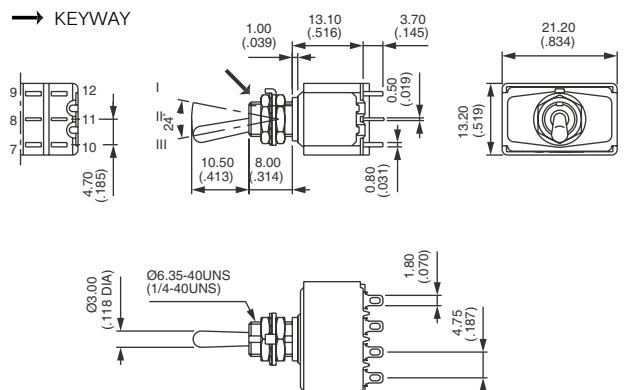


* Function 4 : SP in DP case - specify CT or TH connections.

→ KEYWAY



→ KEYWAY



* Function 4 : DP in 4P case - specify CT or TH connections.

All models above also available with flatted bushing : 5700 or with dia. 6 mm x 0.75 SI (.236 x 0.75 IS) : 5500.

5000 series

Miniature toggle switches • threaded bushing Ø 6.35 mm or plain bushing

STRAIGHT PC TERMINALS - SPACING 4.7 (.185) SINGLE POLE



	III 2-3	II	I 1-2
5236 B	ON	-	ON
5239 B	ON	OFF	ON
5237 B	MOM	OFF	MOM
5238 B	ON	OFF	MOM
5232 B	ON	-	MOM

STRAIGHT PC TERMINALS - SPACING 4.7 (.185) DOUBLE POLE



	III 2-3 5-6	II	I 1-2 4-5
5246 B	ON	-	ON
5249 B	ON	OFF	ON
5247 B	MOM	OFF	MOM
5248 B	ON	OFF	MOM
5242 B	ON	-	MOM
5244 B*	ON	ON	ON
5244 1R B*	ON	ON	MOM
5244 2R B*	MOM	ON	MOM

STRAIGHT PC TERMINALS - SPACING 4.7 (.185) THREE POLE



	III 2-3 5-6 8-9	II	I 1-2 4-5 7-8
5256 B	ON	-	ON
5259 B	ON	OFF	ON
5257 B	MOM	OFF	MOM
5258 B	ON	OFF	MOM
5252 B	ON	-	MOM

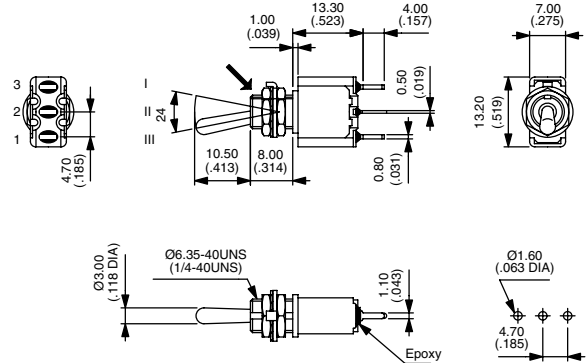
STRAIGHT PC TERMINALS - SPACING 4.7 (.185) FOUR POLE



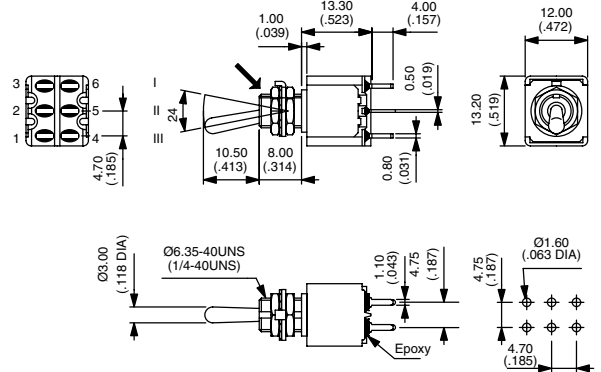
	III 2-3 5-6 8-9 11-12	II	I 1-2 4-5 7-8 10-11
5266 B	ON	-	ON
5269 B	ON	OFF	ON
5267 B	MOM	OFF	MOM
5268 B	ON	OFF	MOM
5262 B	ON	-	MOM
5264 B*	ON	ON	ON
5264 1R B*	ON	ON	MOM
5264 2R B*	MOM	ON	MOM

→ KEYWAY

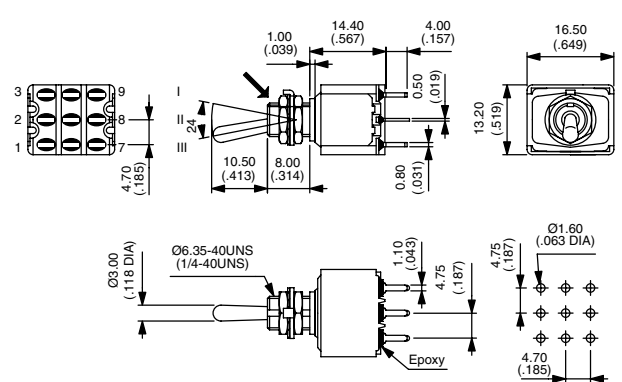
Shown with standard lever



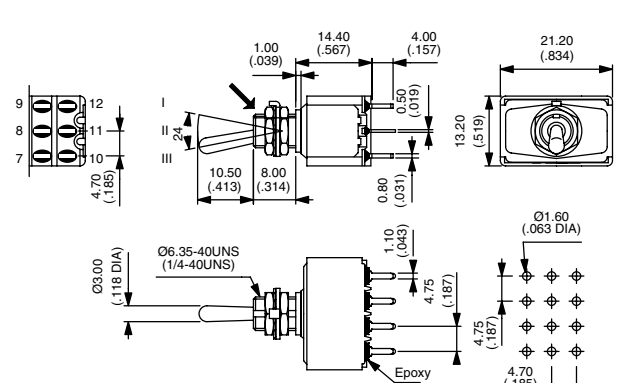
→ KEYWAY



→ KEYWAY



→ KEYWAY



* Function 4 : SP in DP case - specify CT or TH connections.

All models above : Epoxy sealed terminals standard (B).

All models above also available with flatted bushing : 5900 or with terminal spacing 4 mm (.157) : 5400.

5000 series

Miniature toggle switches • threaded bushing Ø 6.35 mm or plain bushing

STRAIGHT PC TERMINALS SPACING 5.08 (.200)



	Single pole	Double pole	III 2-3 5-6	II -	I 1-2 4-5
	5036 B	5046 B	ON	-	ON
	5039 B	5049 B	ON	OFF	ON
	5037 B	5047 B	MOM	OFF	MOM
	5038 B	5048 B	ON	OFF	MOM
	5032 B	5042 B	ON	-	MOM
		5044* B	ON	ON	ON
		5044 1R* B	ON	ON	MOM
		5044 2R* B	MOM	ON	MOM

Epoxy sealed terminals standard (B).

QUICK-CONNECT TERMINALS SINGLE POLE



	III 2-3	II -	I 1-2
5236Z B	ON	-	ON
5239Z B	ON	OFF	ON
5237Z B	MOM	OFF	MOM
5238Z B	ON	OFF	MOM
5232Z B	ON	-	MOM

Single and double pole models also available with flatted bushing : 5900Z.
Epoxy sealed terminals standard (B).

QUICK-CONNECT TERMINALS DOUBLE POLE



	III 2-3 5-6	II -	I 1-2 4-5
5246Z B	ON	-	ON
5249Z B	ON	OFF	ON
5247Z B	MOM	OFF	MOM
5248Z B	ON	OFF	MOM
5242Z B	ON	-	MOM
5244Z* B	ON	ON	ON
5244Z 1R* B	ON	ON	MOM
5244Z 2R* B	MOM	ON	MOM

Epoxy sealed terminals standard (B).

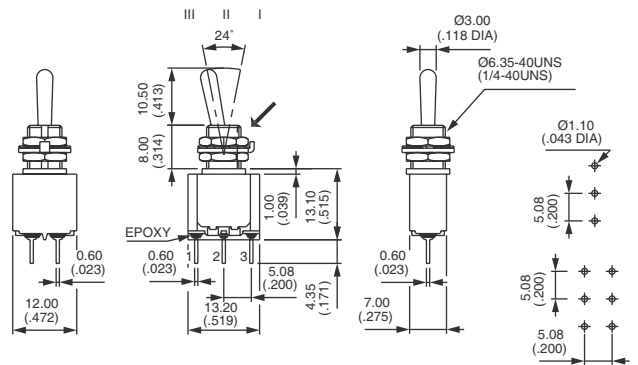
RIGHT ANGLE TERMINALS - HORIZONTAL SINGLE POLE



	III 2-3	II -	I 1-2
5236W	ON	-	ON
5239W	ON	OFF	ON
5237W	MOM	OFF	MOM
5238W	ON	OFF	MOM
5232W	ON	-	MOM

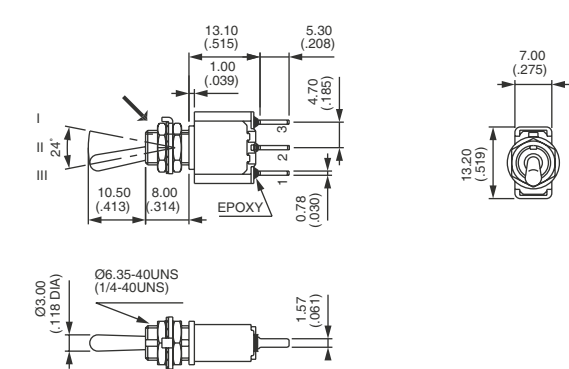
Also available with terminal spacing 4 mm (.157) instead of 4.7 (.185) : 5400W.

→ KEYWAY

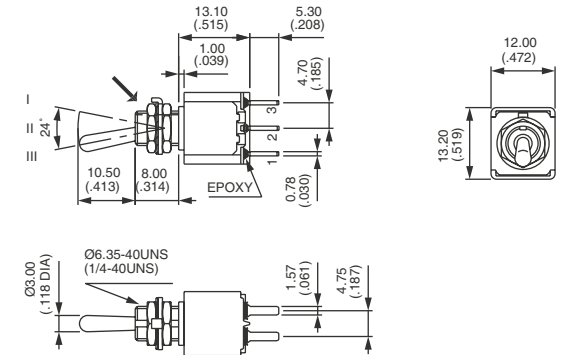


* Function 4 : SP in DP case - specify CT or TH connections.

→ KEYWAY

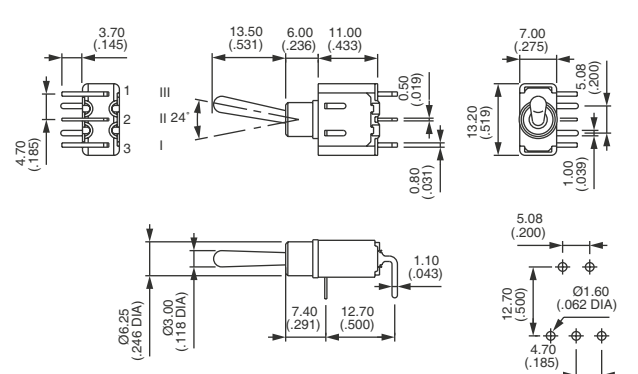


→ KEYWAY



* Function 4 : SP in DP case - specify CT or TH connections.

→ KEYWAY



5000 series

Miniature toggle switches • plain bushing

RIGHT ANGLE TERMINALS - HORIZONTAL DOUBLE POLE



	III	II	I
	2-3		1-2
	5-6		4-5
5246W	ON	-	ON
5249W	ON	OFF	ON
5247W	MOM	OFF	MOM
5248W	ON	OFF	MOM
5242W	ON	-	MOM
5244W*	ON	ON	ON
5244W 1R*	ON	ON	MOM
5244W 2R*	MOM	ON	MOM

Also available with terminal spacing 4 mm (.157) instead of 4.7 (.185) : 5400W.

RIGHT ANGLE TERMINALS - HORIZONTAL THREE POLE



	III	II	I
	2-3		1-2
	5-6		4-5
	8-9		7-8
5256W	ON	-	ON
5259W	ON	OFF	ON
5257W	MOM	OFF	MOM
5258W	ON	OFF	MOM
5252W	ON	-	MOM

RIGHT ANGLE TERMINALS - VERTICAL SINGLE POLE



	III	II	I
	2-3		1-2
5236WW	ON	-	ON
5239WW	ON	OFF	ON
5237WW	MOM	OFF	MOM
5238WW**	ON	OFF	MOM
5232WW**	ON	-	MOM

RIGHT ANGLE TERMINALS - VERTICAL DOUBLE POLE



	III	II	I
	2-3		1-2
	5-6		4-5
5246WW	ON	-	ON
5249WW	ON	OFF	ON
5247WW	MOM	OFF	MOM
5248WW**	ON	OFF	MOM
5242WW**	ON	-	MOM
5244WW*	ON	ON	ON
5244WW 1R*	ON	ON	MOM
5244WW 2R*	MOM	ON	MOM

Vertical right angle models above : * Function 4 : SP in DP case, DP in 4P case - specify CT or TH connections.

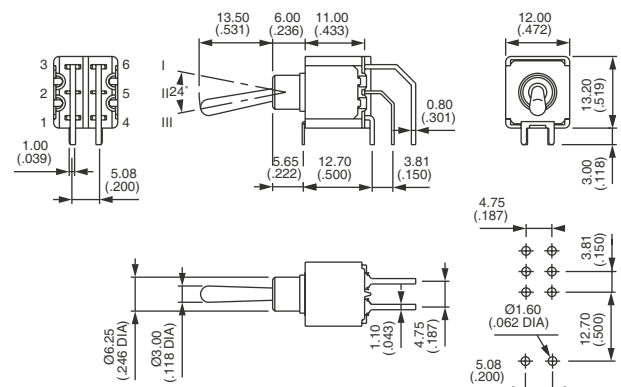
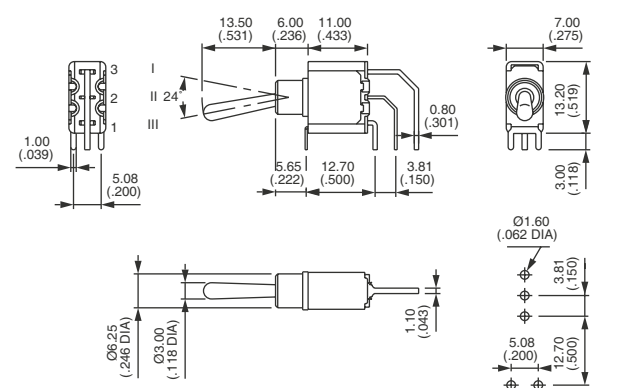
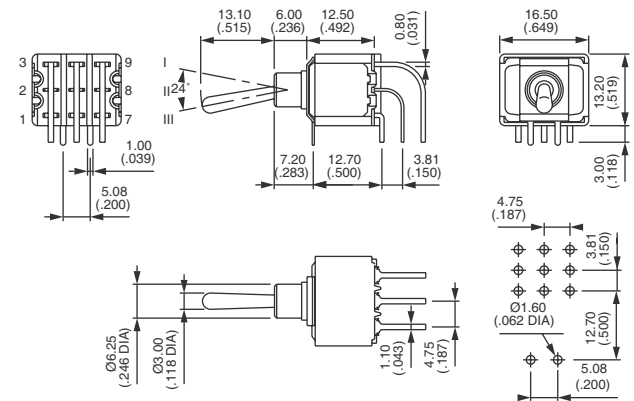
** Functions 2 and 8 : reversed connection available, consult factory.

Also available with pin spacing 2.54 mm (.100) instead of 3.81 mm (.150) : 5400WW

Shown with standard lever



* Function 4 : SP in DP case - specify CT or TH connections.



5000 series

Miniature toggle switches • plain bushing

RIGHT ANGLE TERMINALS - VERTICAL THREE POLE



	III	II	I
	2-3		1-2
	5-6		4-5
	8-9		7-8
5256WW	ON	-	ON
5259WW	ON	OFF	ON
5257WW	MOM	OFF	MOM
5258WW**	ON	OFF	MOM
5252WW**	ON	-	MOM

** Functions 2 and 8 : reversed connection available, consult factory.

RIGHT ANGLE TERMINALS - VERTICAL FOUR POLE



	III	II	I
	2-3		1-2
	5-6		4-5
	8-9		7-8
	11-12		10-11
5266WW	ON	-	ON
5269WW	ON	OFF	ON
5267WW	MOM	OFF	MOM
5268WW**	ON	OFF	MOM
5262WW**	ON	-	MOM
5264WW*	ON	ON	ON
5264WW 1R*	ON	ON	MOM
5264WW 2R*	MOM	ON	MOM

Vertical right angle models above also available with terminal spacing 2.54 mm (.100) instead of 3.81 mm (.150) : 5400WW.

SHORT BRACKET - WIDTH 15.75 (.620) SINGLE POLE



	III	II	I
	2-3		1-2
5236Y B	ON	-	ON
5239Y B	ON	OFF	ON
5237Y B	MOM	OFF	MOM
5238Y B	ON	OFF	MOM
5232Y B	ON	-	MOM

Epoxy sealed terminals standard (B).

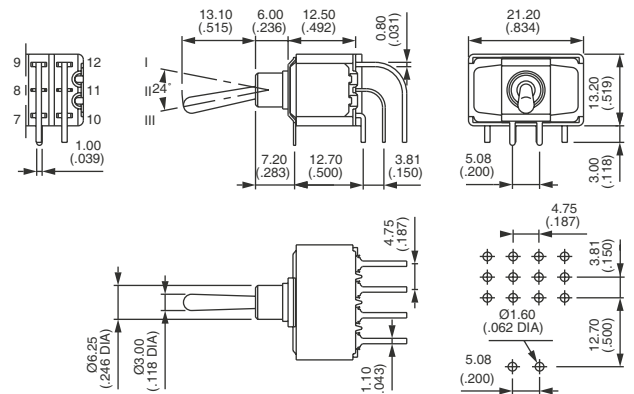
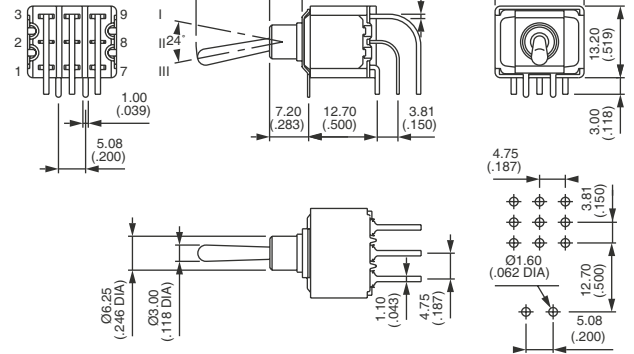
SHORT BRACKET - WIDTH 15.75 (.620) DOUBLE POLE



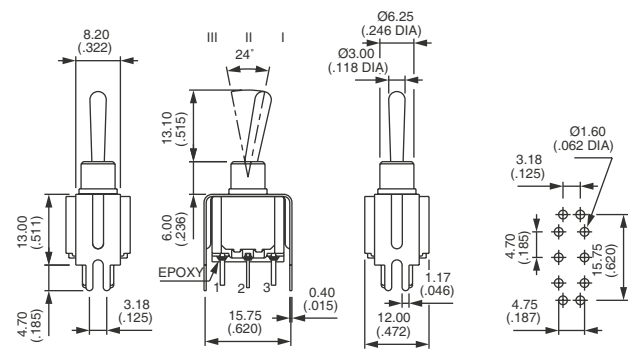
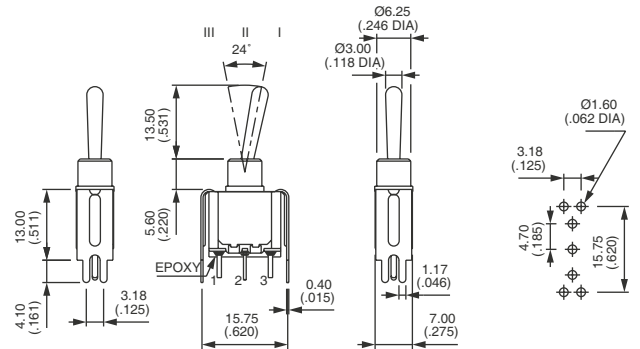
	III	II	I
	2-3		1-2
	5-6		4-5
5246Y B	ON	-	ON
5249Y B	ON	OFF	ON
5247Y B	MOM	OFF	MOM
5248Y B	ON	OFF	MOM
5242Y B	ON	-	MOM
5244Y B*	ON	ON	ON
5244Y 1R B*	ON	ON	MOM
5244Y 2R B*	MOM	ON	MOM

Epoxy sealed terminals standard (B).

Shown with standard lever



* Function 4 : SP in DP case, DP in 4P case - specify CT or TH connections.



*Function 4 : SP in DP case - specify CT or TH connections.

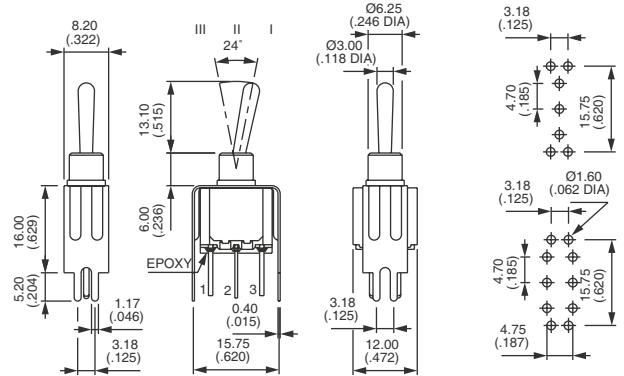
5000 series

Miniature toggle switches • plain bushing

TALL BRACKET - WIDTH 15.75 (.620)



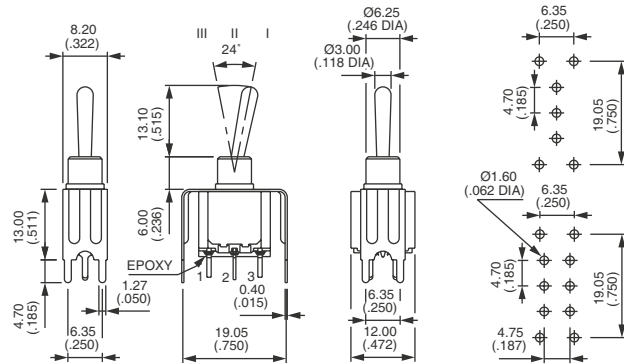
Single pole	Double pole	III	II	I
5236Y4 B	5246Y4 B	2-3	-	1-2
5239Y4 B	5249Y4 B	5-6	-	4-5
5237Y4 B	5247Y4 B	ON	OFF	ON
5238Y4 B	5248Y4 B	MOM	OFF	MOM
5232Y4 B	5242Y4 B	ON	-	MOM
	5244Y4 B*	ON	ON	ON
	5244Y4 1R B*	ON	ON	MOM
	5244Y4 2R B*	MOM	ON	MOM



SHORT BRACKET - WIDTH 19.05 (.750)



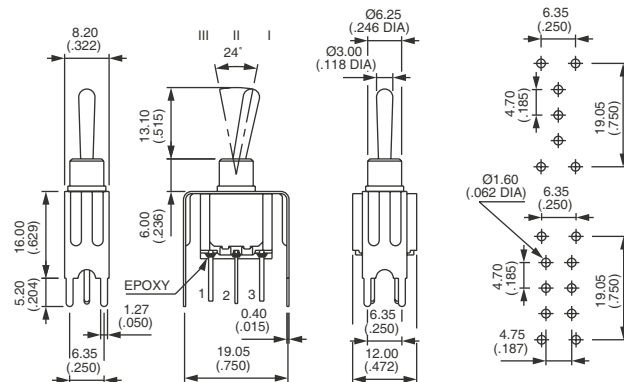
Single pole	Double pole	III	II	I
5236Y6 B	5246Y6 B	2-3	-	1-2
5239Y6 B	5249Y6 B	5-6	-	4-5
5237Y6 B	5247Y6 B	ON	OFF	ON
5238Y6 B	5248Y6 B	MOM	OFF	MOM
5232Y6 B	5242Y6 B	ON	-	MOM
	5244Y6 B*	ON	ON	ON
	5244Y6 1R B*	ON	ON	MOM
	5244Y6 2R B*	MOM	ON	MOM



TALL BRACKET - WIDTH 19.05 (.750)



Single pole	Double pole	III	II	I
5236Y7 B	5246Y7 B	2-3	-	1-2
5239Y7 B	5249Y7 B	5-6	-	4-5
5237Y7 B	5247Y7 B	ON	OFF	ON
5238Y7 B	5248Y7 B	MOM	OFF	MOM
5232Y7 B	5242Y7 B	ON	-	MOM
	5244Y7 B*	ON	ON	ON
	5244Y7 1R B*	ON	ON	MOM
	5244Y7 2R B*	MOM	ON	MOM



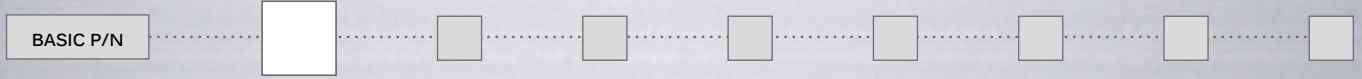
Epoxy sealed terminals standard (B).

* Function 4 : SP in DP case - specify CT or TH connections.

5000 series

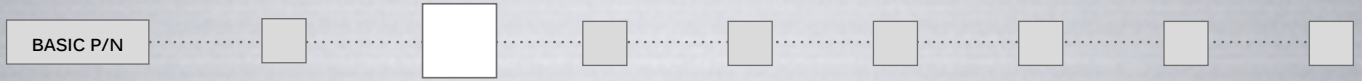
Miniature toggle switches •
threaded bushing Ø 6.35 mm or plain bushing

CONTACT MATERIALS



- A Silver
 - AD Silver, gold plated
 - CD Brass, gold plated
- Special contacts for peak currents : see X814, under "Special Options".

FINISH



- Blank Nickel plated
- G Black finish on bushing, actuator and hardware

SEALING



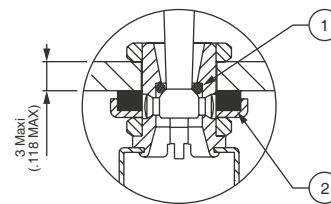
- Blank
 - For 5000 and 5200Z models : epoxy sealed terminals standard
 - Other models : no sealing required
- K Front panel sealing by one O-ring and sealing washer. Protects the switch against water and dust. Panel seal withstands 1 bar pressure and remains sealed even when switch is operated.
 - ⚠ Available on models with Ø 6.35 (1/4) **threaded bushing only**.
 - Not available with levers 8, 9, 12, 22, 23.
- B Epoxy sealed terminals
- KB Combined sealings

Sealing by two O-rings, see X408 under "Special options".

OPTION B



OPTION K



- ① O-ring
- ② Sealing washer



K with Ø 6.35 (1/4) keyway bushing includes washer **U360**

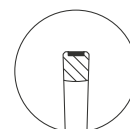


K with Ø 6.35 (1/4) flattened bushing includes washer **U5141**

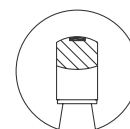
FLUORESCENT TIP



- Blank None
- 038 White fluorescent tip. Becomes luminous when submitted to ultraviolet rays.
 - ⚠ Available with black finish (option G) only.
 - Consult factory for levers available with this option.



-19 Standard lever



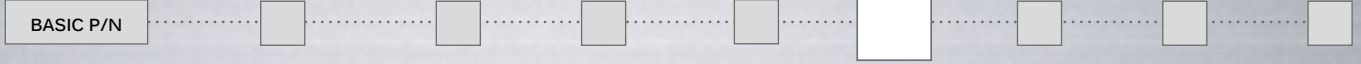
Locking lever

Same dimensions as standard actuator on next page.

5000 series

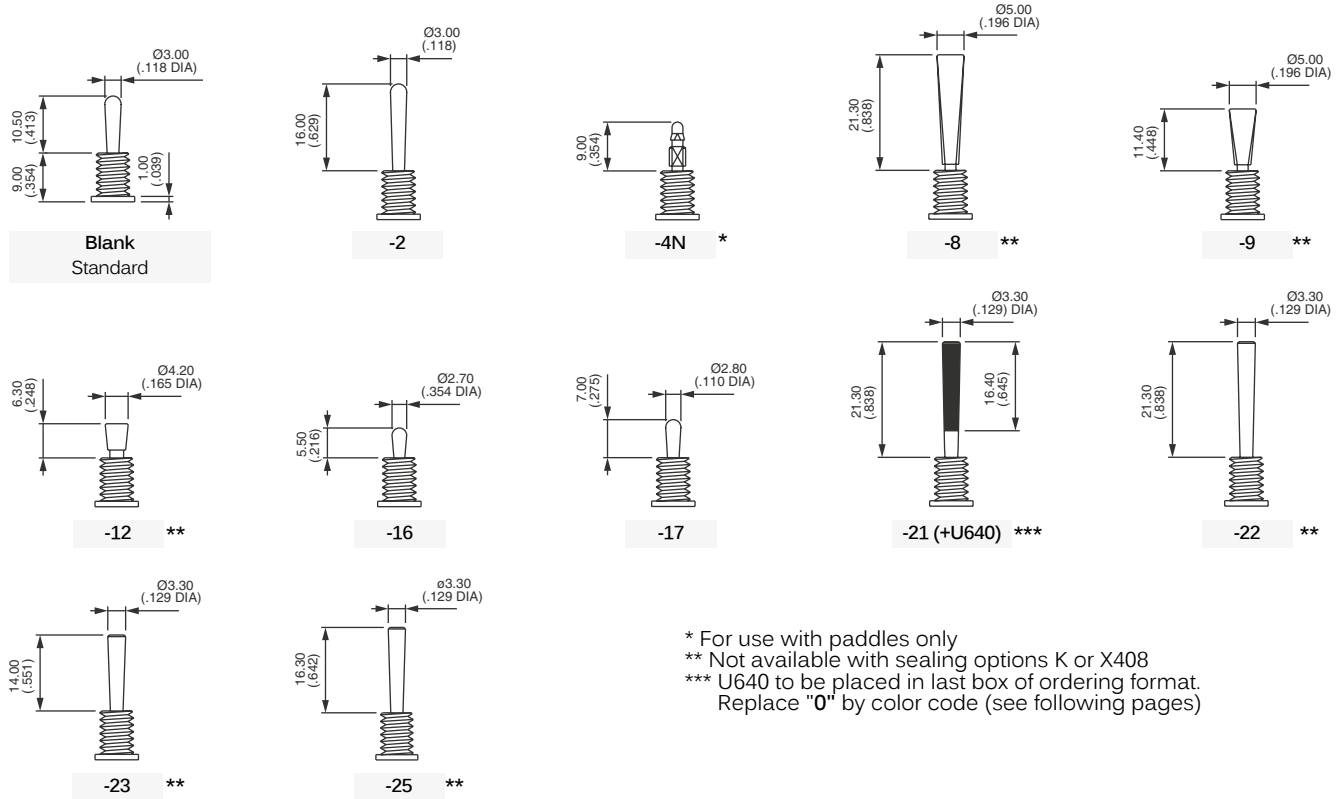
Miniature toggle switches • threaded bushing Ø 6.35 mm or plain bushing

ACTUATORS



Dash compulsory before lever code.

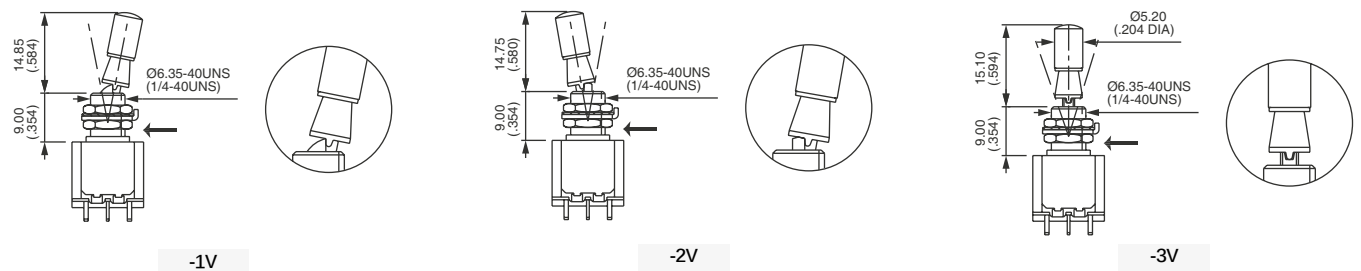
LEVERS FOR THREADED BUSHING MODELS Ø 6,35 (1/4) OR Ø 6 (.236)



LOCKING LEVERS FOR THREADED BUSHING MODELS Ø 6,35 (1/4)

- 1V 1 locked position (function 6)
- 2V 2 locked position (function 6)
- 3V 3 locked positions (functions 9 and 4)

→ KEYWAY



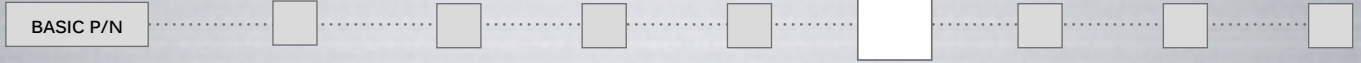
Consult factory for other locking lever options.

For plain bushing models, see X386 or X916 under "Special options" on the following pages.

5000 series

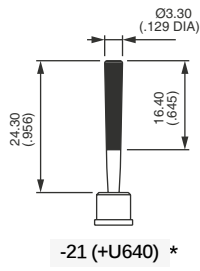
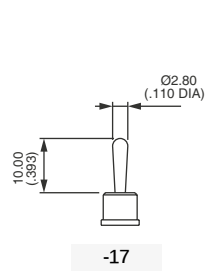
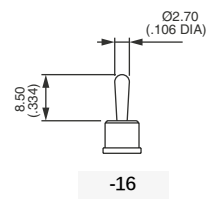
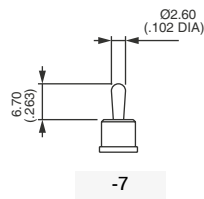
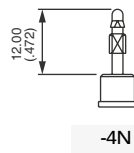
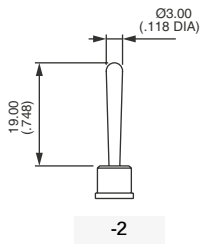
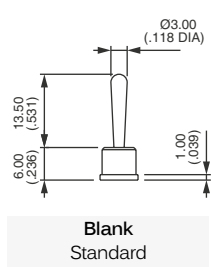
Miniature toggle switches •
threaded bushing Ø 6.35 mm or plain bushing

ACTUATORS (CONTINUED)



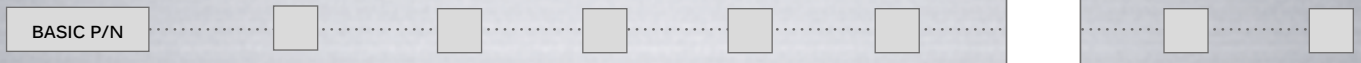
LEVERS FOR PLAIN BUSHING MODELS : W - WW AND Y

Lever length : With bracket or mounting plate lever length will be reduced by 0.4 mm (.015) as a rule. Please refer to switch technical drawings of basic models pages for details.



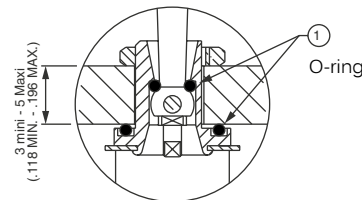
* U640 to be placed in last box of ordering format.
For actuator colors, replace «0» by color code (see following pages)

SPECIAL OPTIONS

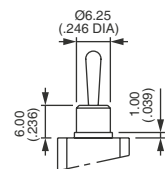


Blank No special requirement

X408 Front panel sealing by two O-rings. Flatted bushing for precise orientation. Protects the switch against water and dust. Panel seal withstands 1 bar pressure and remains sealed even when switch is operated. Includes sealed terminals (option B).
⚠ Available only on models with threaded bushing.
Not available with levers 8, 9, 12, 22, 23.



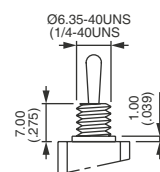
X408



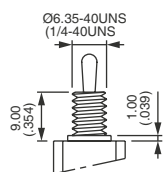
X371

X371 Plain bushing Ø 6.25 mm (.246) (instead of standard threaded bushing).

X372 Threaded bushing Ø 6.35 (1/4). **Height 7 mm (.274).**



X372



X386

X386 Threaded bushing Ø 6.35 mm (1/4) to replace plain bushing on models W - WW and Y.

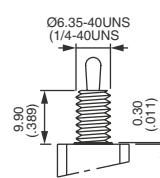
5000 series

Miniature toggle switches • threaded bushing Ø 6.35 mm or plain bushing

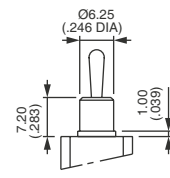
SPECIAL OPTIONS (CONTINUED)



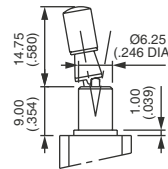
- X442** Threaded bushing Ø 6.35 mm (1/4) - Height 9.9 mm (.389).
- X445** Plain bushing. Height 7.2 mm (.283) - for W, WW and Y models.
Available with the same levers, insulating cap and paddles as X404.
- X601** **Silver plated brass contacts.**
Current/voltage rating for an electrical life of 20,000 cycles : 0.5 A 30 VDC. Minimum quantity : 5,000 pieces per model and shipment.
- X681** **Satin chrome** actuator
- X814** **Switches for peak currents** - single and double pole.
On request.
- X902** Plain bushing Ø 6.25 mm (.246) - Height 9 mm (.354) (not available with K sealing option).
- X916** Locking lever on model with plain bushing.
- X404** **Horizontal right angle (W) with reduced overall dimensions** (shown with lever -16)



X442



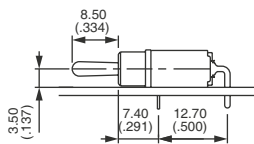
X445



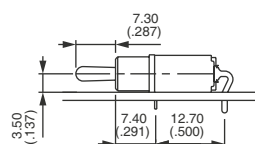
X916

⚠ With options X372, X386, X442 and X445, the lever lengths indicated on previous pages will be modified.

OPTION X404



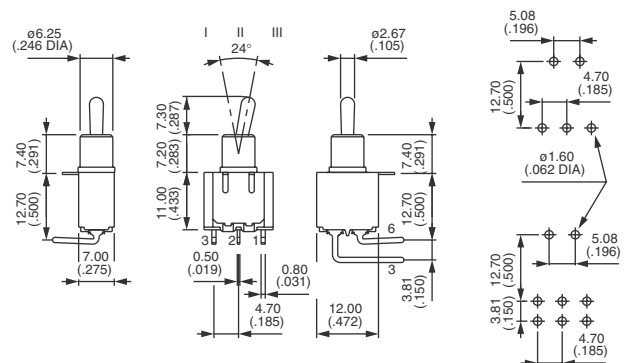
Standard W



Option X404



		III	II	I
Single pole	Double pole	2-3		1-2
5236W X404	5246W X404	ON	-	ON
5239W X404	5249W X404	ON	OFF	ON
5237W X404	5247W X404	MOM	OFF	MOM
5238W X404	5248W X404	ON	OFF	MOM
5232W X404	5242W X404	ON	-	MOM
	5244W X404*	ON	ON	ON
	5244W 1R X404*	ON	ON	MOM
	5244W 2R X404*	MOM	ON	MOM

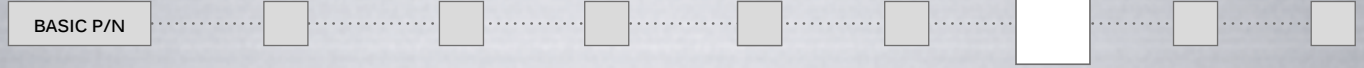


* Function 4 : SP in DP case - specify CT or TH connections

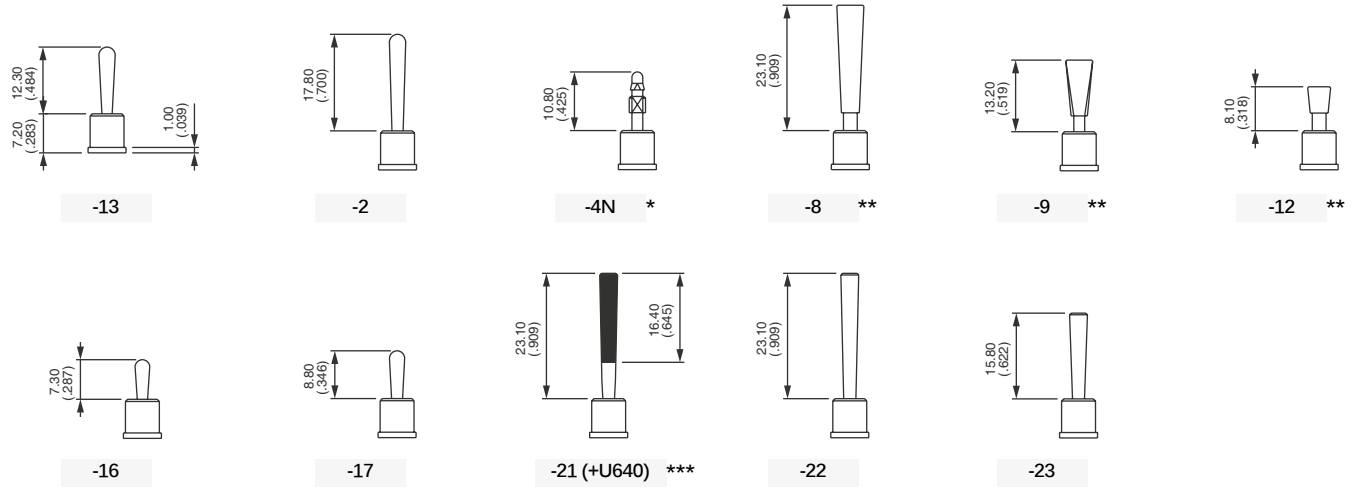
5000 series

Miniature toggle switches •
threaded bushing Ø 6.35 mm or plain bushing

SPECIAL OPTIONS (CONTINUED)



OPTION X404 (CONTINUED)
LEVERS LENGTHS FOR X404 (ALSO AVAILABLE WITH X445 OPTION)



- * For paddles
- ** Levers -8, -9 and -12 not available with function 2 (ON-MOM)
- *** U640 to be placed in last box of ordering format. Replace "0" with color code.

Insulating caps and paddles for X404 :

Insulating cap U1710 available with lever style 16.
Paddles U240N, U290N and U390N available with lever style 4N. See details on next page..

AGENCY APPROVALS



- Blank No agency approval required.
- UL All standard models
- CSA
- CECC Standard models 5600 - 5200

Availability : consult factory for details of approved combinations or options.

Marking : to order switches marked UL, CSA or CECC, complete above box with desired approvals, in this order & without space (ex. : ULCSACECC). **VDE (with UL & CSA) :** Refer to 55000 series.

Preferential lists : see specifications.

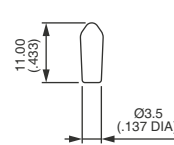
5000 series

Miniature toggle switches • threaded bushing Ø 6.35 mm or plain bushing

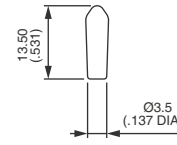
INSULATING CAPS

BASIC P/N

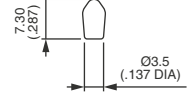
- U270** For standard lever & threaded bushing only
- U1040** For standard lever & plain bushing only
- U1710** For lever 17 and threaded bushing
For lever 7 and plain bushing



U270



U1040



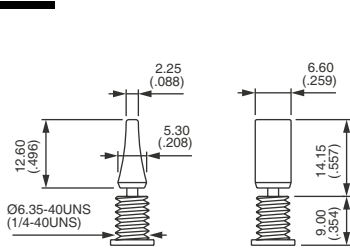
U1710

For cap colors, replace "0" with number :

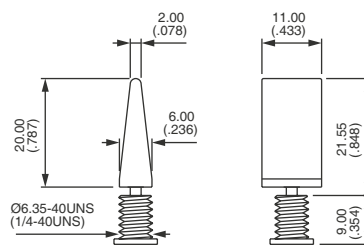
- 1 Blue
- 1/4 Dark blue
- 2 Black
- 3 Green
- 4 Grey
- 5 Yellow
- 6 Red
- 7/1 White
- 9 Orange

PADDLES

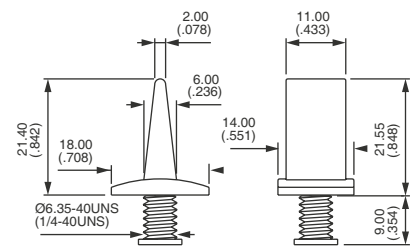
For use with lever 4N only. Shown with standard threaded bushing. Order separately.



U240N



U290N



U390N

For cap colors, replace "0" with number :

- 1 Blue
- 1/4 Dark blue
- 2 Black
- 3 Green
- 4 Grey
- 5 Yellow
- 6 Red
- 7 Ivory
- 7/1 White
- 9 Orange



Компания «ЭлектроПласт» предлагает заключение долгосрочных отношений при поставках импортных электронных компонентов на взаимовыгодных условиях!

Наши преимущества:

- Оперативные поставки широкого спектра электронных компонентов отечественного и импортного производства напрямую от производителей и с крупнейших мировых складов;
- Поставка более 17-ти миллионов наименований электронных компонентов;
- Поставка сложных, дефицитных, либо снятых с производства позиций;
- Оперативные сроки поставки под заказ (от 5 рабочих дней);
- Экспресс доставка в любую точку России;
- Техническая поддержка проекта, помощь в подборе аналогов, поставка прототипов;
- Система менеджмента качества сертифицирована по Международному стандарту ISO 9001;
- Лицензия ФСБ на осуществление работ с использованием сведений, составляющих государственную тайну;
- Поставка специализированных компонентов (Xilinx, Altera, Analog Devices, Intersil, Interpoint, Microsemi, Aeroflex, Peregrine, Syfer, Eurofarad, Texas Instrument, Miteq, Cobham, E2V, MA-COM, Hittite, Mini-Circuits, General Dynamics и др.);

Помимо этого, одним из направлений компании «ЭлектроПласт» является направление «Источники питания». Мы предлагаем Вам помощь Конструкторского отдела:

- Подбор оптимального решения, техническое обоснование при выборе компонента;
- Подбор аналогов;
- Консультации по применению компонента;
- Поставка образцов и прототипов;
- Техническая поддержка проекта;
- Защита от снятия компонента с производства.



Как с нами связаться

Телефон: 8 (812) 309 58 32 (многоканальный)

Факс: 8 (812) 320-02-42

Электронная почта: org@eplast1.ru

Адрес: 198099, г. Санкт-Петербург, ул. Калинина, дом 2, корпус 4, литера А.