

PLEASE CHECK WWW.MOLEX.COM FOR LATEST PART INFORMATION

Part Number: [0559092274](#)
Status: **Active**
Overview: [slimstack_mm016_pitch](#)
Description: 0.40mm (.016") Pitch Board-to-Board SlimStack™ Plug, Surface Mount, Dual Row, Vertical Stacking, 1.50mm (.059") Stacking Height, Lead-free, 22 Circuits

Documents:

[3D Model](#) [Product Specification PS-51338-002 \(PDF\)](#)
[Drawing \(PDF\)](#) [RoHS Certificate of Compliance \(PDF\)](#)

General

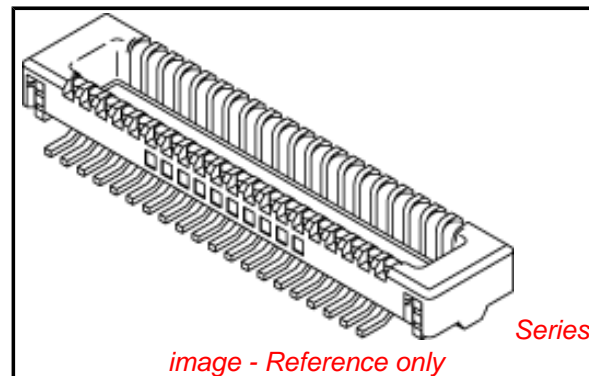
Product Family	PCB Headers
Series	55909
Application	Board-to-Board
Comments	Solder Tab Plating: Tin
Overview	slimstack_mm016_pitch
Product Name	SlimStack™

Physical

Breakaway	No
Circuits (Loaded)	22
Circuits (maximum)	22
Color - Resin	Black
Durability (mating cycles max)	30
First Mate / Last Break	No
Glow-Wire Compliant	No
Guide to Mating Part	No
Keying to Mating Part	None
Lock to Mating Part	Yes
Mated Height (in)	0.059 In
Mated Height (mm)	1.50 mm
Material - Metal	Brass, Phosphor Bronze
Material - Plating Mating	Gold
Material - Plating Termination	Gold
Material - Resin	High Temperature Thermoplastic
Number of Rows	2
Orientation	Vertical
PC Tail Length (in)	0.020 In
PC Tail Length (mm)	0.50 mm
PCB Locator	No
PCB Retention	Yes
Packaging Type	Embossed Tape on Reel
Pitch - Mating Interface (in)	0.016 In
Pitch - Mating Interface (mm)	0.40 mm
Plating min: Mating (µin)	10
Plating min: Mating (µm)	0.25
Plating min: Termination (µin)	4
Plating min: Termination (µm)	0.1
Shrouded	Fully
Stackable	No
Temperature Range - Operating	-25°C to +85°C
Termination Interface: Style	Surface Mount

Electrical

Current - Maximum per Contact	0.3A
Voltage - Maximum	50V



EU RoHS

ELV and RoHS Compliant

REACH SVHC

Contains SVHC: No

Halogen-Free

Status

Halogen-Free

Need more information on product environmental compliance?

Email productcompliance@molex.com
 For a multiple part number RoHS Certificate of Compliance, [click here](#)

Please visit the [Contact Us](#) section for any non-product compliance questions.

China RoHS



Search Parts in this Series

[55909Series](#)

Mates With

[51338](#) Board-to-Board SlimStack™ Receptacle

Material Info

Reference - Drawing Numbers

Packaging Specification

Product Specification

SPK-55909-001

PS-51338-002, RPS-500913-003, RPS-500913-005,

RPS-51338-001, RPS-51338-002, RPS-51338-005,

RPS-51338-007, RPS-51338-008, RPS-51338-012,

RPS-51338-013, RPS-51338-018, RPS-51338-019,

RPS-51338-020, RPS-51338-022, RPS-51338-025,

RPS-51338-027, RPS-51338-030, RPS-51338-031,

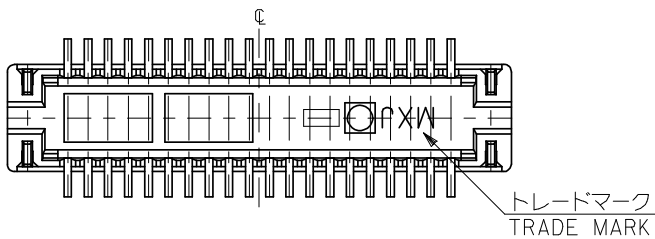
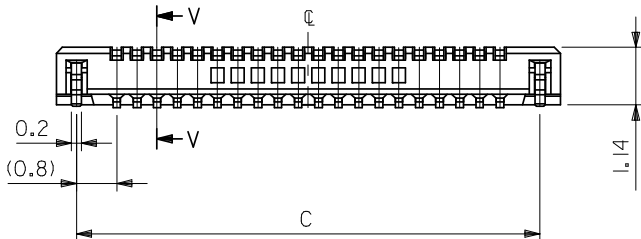
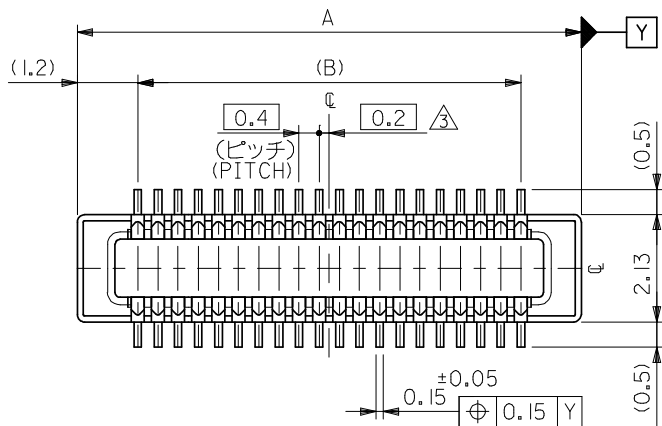
RPS-55909-001

SD-55909-003, SD-55909-004

Sales Drawing

This document was generated on 05/27/2010

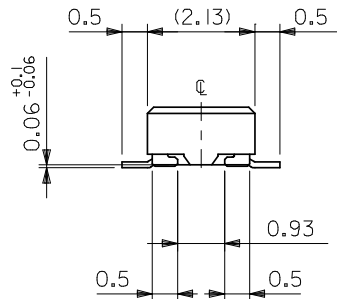
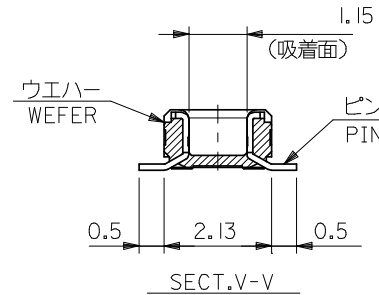
PLEASE CHECK WWW.MOLEX.COM FOR LATEST PART INFORMATION



注記 NOTES:

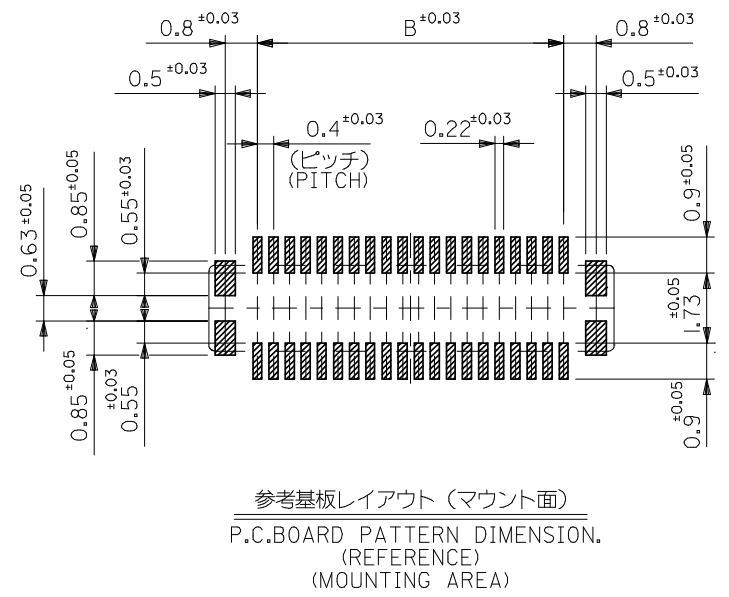
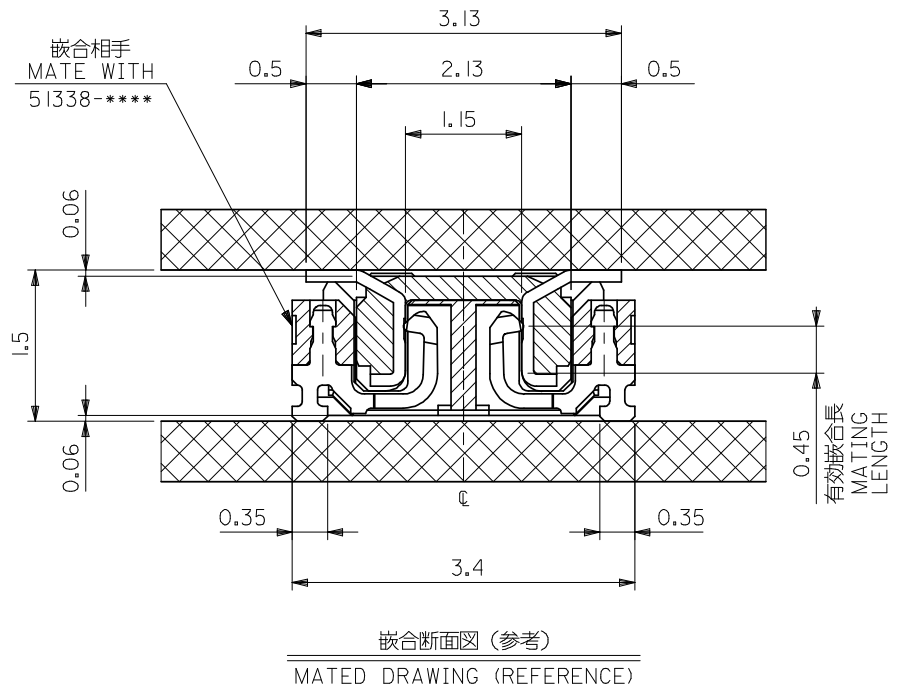
1. 使用材料 MATERIAL
 ウェハー: 液晶ポリマー (LCP) ガラス充填 UL94V-0 (黒)
 WAFER: LIQUID CRYSTAL POLYMER (GLASS FILLED)
 UL94V-0 (COLOR: BLACK)
 ピン: 黄銅 (t=0.12)
 PIN: BRASS (t=0.12)
 金具: リン青銅 (t=0.2)
 FITTING NAIL: PHOSPHOR BRONZE (t=0.2)
2. メッキ仕様 PLATING
 ピン PIN
 金メッキ 0.2 マイクロメートル以上 (コンタクト部)
 GOLD 0.2MICROMETER MINIMUM (CONTACT AREA)
 金メッキ 0.4 マイクロメートル以下 (テール部)
 GOLD 0.4MICROMETER MAXIMUM (TAIL AREA)
 下地メッキ: ニッケルメッキ 1.5 マイクロメートル以上
 UNDER PLATING: NICKEL 1.5MICROMETER MINIMUM
 金具 FITTING NAIL
 錫メッキ 1.0 マイクロメートル以上
 TIN PLATING 1.0MICROMETER MINIMUM
 下地メッキ: ニッケルメッキ 1.0 マイクロメートル以上
 UNDER PLATING: NICKEL 1.0MICROMETER MINIMUM

3. (全極数/2) = 偶数の場合に適用。
 APPLY FOR (CIRCUIT/2)=EVEN.
4. 嵌合相手: 51338シリーズ
 MATE WITH: 51338 SERIES.
5. テール平坦度は、0.08以下
 テール及び金具の平坦度は、0.1以下
 TAIL COPLANARITY TO BE 0.08 MAXIMUM
 TAIL AND FITTING NAIL COPLANARITY TO BE 0.1 MAXIMUM
6. 本製品は 55909-***3 の鉛フリー品である。
 THIS PRODUCT IS LEAD FREE OF 55909-***3



25.2	23.6	26.0	55909-1274	55909-1273	120
21.2	19.6	22.0	55909-1074	55909-1073	100
19.2	17.6	20.0	55909-0974	55909-0973	90
17.2	15.6	18.0	55909-0874	55909-0873	80
15.2	13.6	16.0	55909-0774	55909-0773	70
13.2	11.6	14.0	55909-0674	55909-0673	60
11.2	9.6	12.0	55909-0574	55909-0573	50
9.2	7.6	10.0	55909-0474	55909-0473	40
8.0	6.4	8.8	55909-3474	55909-3473	34
7.2	5.6	8.0	55909-0374	55909-0373	30
6.4	4.8	7.2	55909-2674	55909-2673	26
6.0	4.4	6.8	55909-2474	55909-2473	24
5.6	4.0	6.4	55909-2274	55909-2273	22
5.2	3.6	6.0	55909-0274	55909-0273	20
3.6	2.0	4.4	55909-9974	55909-9973	12
C	B	A	EMBOSSED TAPE PKG. ORDER No. オーダー番号	MATERIAL No.	CKT.

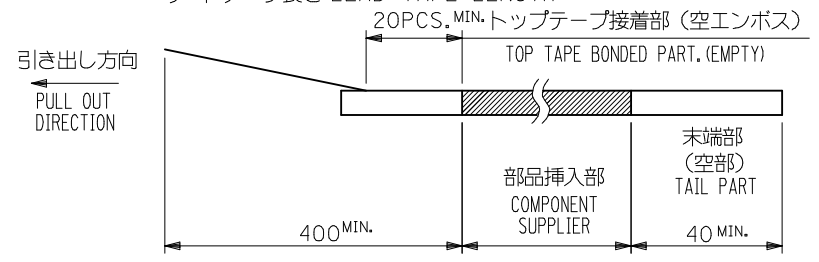
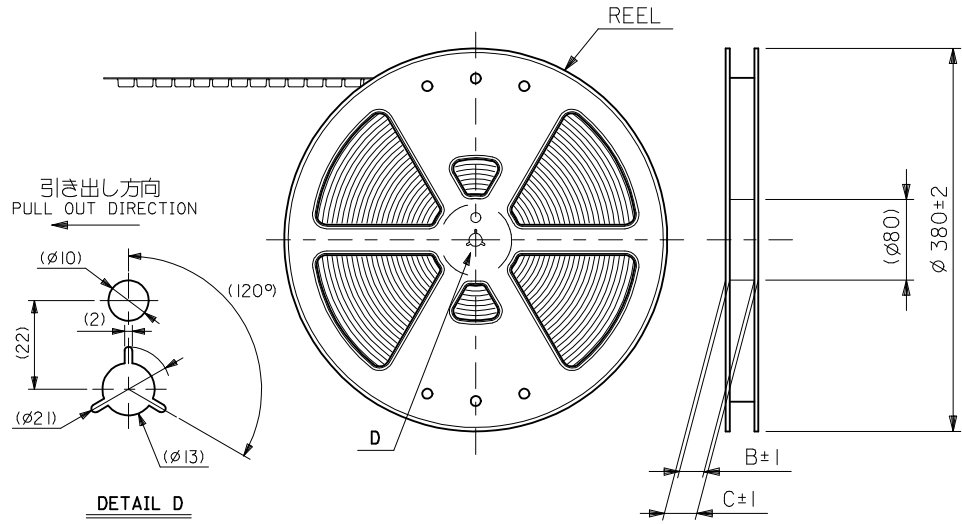
REVISED EC NO.: J2009-0301 DRWN: MWABEI 2008/08/27 CHKD: THARUYAMA 2008/08/28 APPR: NUKITA 2008/08/28	GENERAL TOLERANCES (UNLESS SPECIFIED)		DIMENSION STYLE MM ONLY		SCALE ---	DESIGN UNITS METRIC	MODEL NO. 55909-***73
	10 UNDER	±0.2	DRAWN BY HSHIMABUKURO	DATE 2004/02/20	TITLE 0.4 B-TO-B CONN. PLUG ASSY (HGT=1.5) WITH NAIL -LEAD FREE-		
	10 OVER 30 UNDER	±0.25	CHECKED BY K. TOJO	DATE 2004/02/20	MATERIAL NO. SD-55909-003		
	30 OVER	±0.3	APPROVED BY M. SASAO	DATE 2004/02/20	SHEET NO. 1 OF 2		
ANGULAR ±1/2 °		DRAFT WHERE APPLICABLE MUST REMAIN WITHIN DIMENSIONS		SEE TABLE		MATERIAL NO. DOCUMENT NO.	
THIS DRAWING CONTAINS INFORMATION THAT IS PROPRIETARY TO MOLEX INCORPORATED AND SHOULD NOT BE USED WITHOUT WRITTEN PERMISSION							



REVISED	EC NO. J2009-0301	GENERAL TOLERANCES (UNLESS SPECIFIED)		DIMENSION STYLE		SCALE	DESIGN UNITS	MODEL NO.	
	DRWN:MMABEI 2008/08/27	10 UNDER	±0.2	MM ONLY		---	METRIC	55909-**73	
	CHKD:THARUYAMA 2008/08/28	10 OVER 30 UNDER	±0.25	DRAWN BY DATE		THIRD ANGLE PROJECTION			
	APPR:NUKITA 2008/08/28	30 OVER	±0.3	HSHIMABUKURO 2004/02/20		TITLE			
REV	DESCRIPTION	ANGULAR ±3 °		CHECKED BY DATE		0.4 B-TO-B CONN. PLUG ASSY (HGT=1.5) WITH NAIL -LEAD FREE-			
		DRAFT WHERE APPLICABLE MUST REMAIN WITHIN DIMENSIONS		APPROVED BY DATE		MOLEX INCORPORATED			
				MATERIAL NO.		DOCUMENT NO.			
				SEE SHEET 1		SD-55909-003			
				SIZE A3		SHEET NO.			
				THIS DRAWING CONTAINS INFORMATION THAT IS PROPRIETARY TO MOLEX INCORPORATED AND SHOULD NOT BE USED WITHOUT WRITTEN PERMISSION					

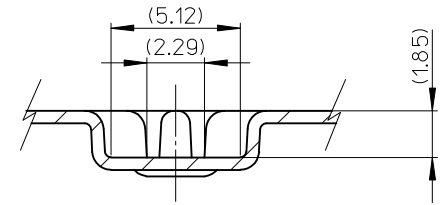
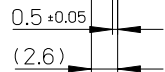
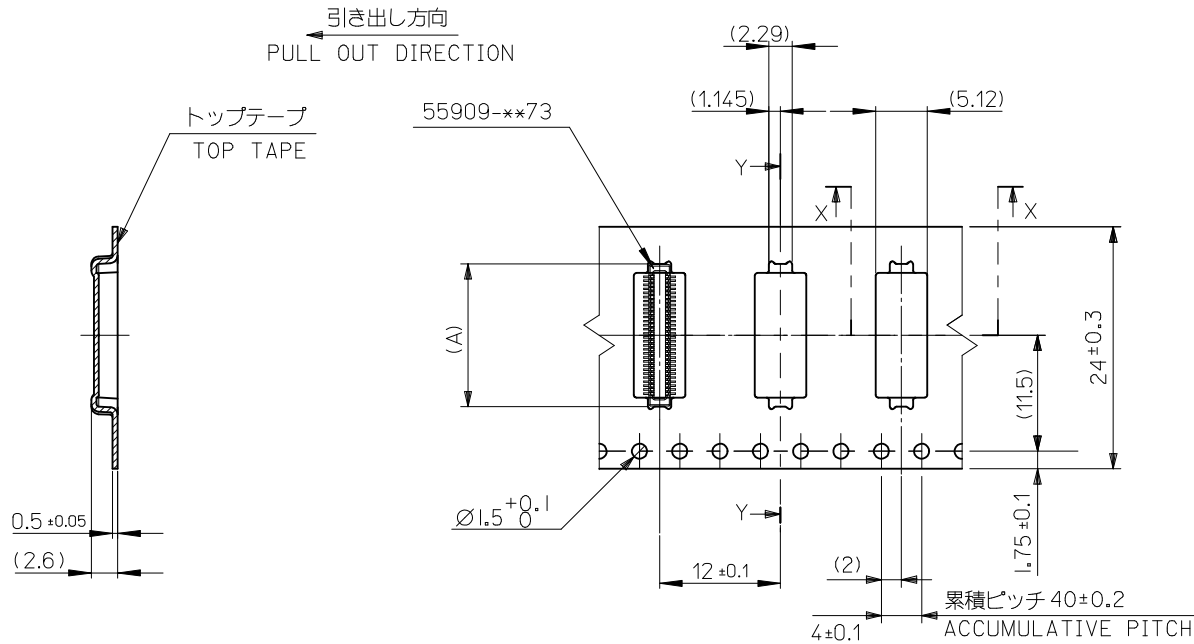
NOTES

- 製品詳細寸法については製品単体図面を参照下さい。
RE DETAILED DIMENSION, SEE PRODUCT DRAWING.
- 梱包数量：2500個/リール
NUMBER OF CONNECTORS : 2500PCS/REEL
- リードテープ長さ LEAD TAPE LENGTH



- 材料 MATERIAL
キャリアテープ (CARRIER TAPE) : ポリプロピレン (POLYPROPYLENE)
トップテープ (TOPTAPE) : PET , PE , PEF
リール (REEL) : ポリスチレン (PS) <リサイクル材を含む>
POLYSTYRENE (PS) <RECYCLE MATERIAL CONTAINED>
- ELV 及び RoHS 適合品。
ELV AND RoHS COMPLIANT.

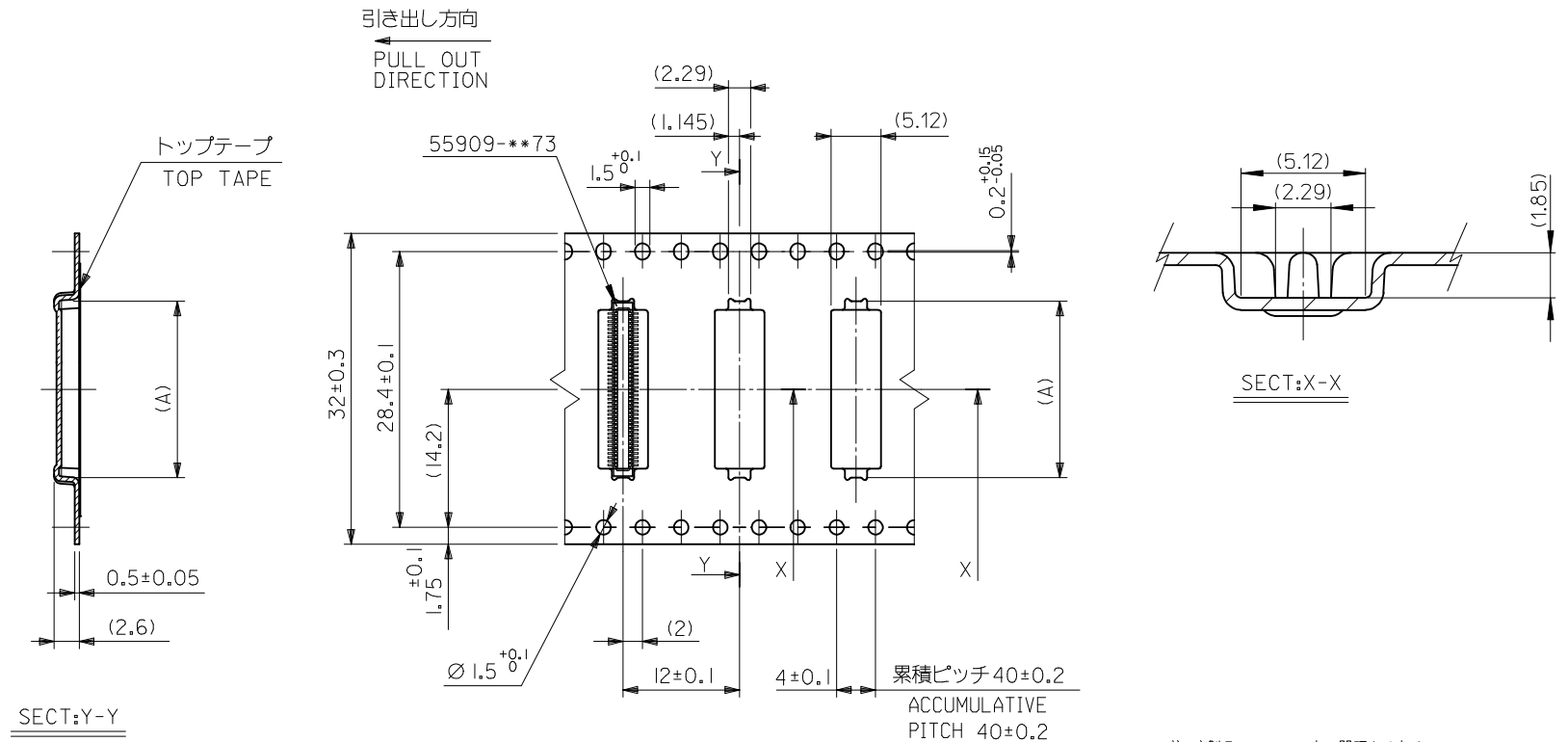
REVISED EC NO: J2010-0487 DRWN:TKAIHO 2009/09/18 CHKD:SMARUYAMA 2009/09/18 APPR:MSASAO 2009/09/18	GENERAL TOLERANCES (UNLESS SPECIFIED)		DIMENSION STYLE MM ONLY		SCALE ---	DESIGN UNITS METRIC	MODEL NO. 55909-**74
	10 UNDER	±0.2	DRAWN BY H. SHIMAB	DATE 2004/02/20	TITLE 0.4 B-T-O-B CONN PLUG ASSY(HGT=1.5) EMBSTP PKG		
	10 OVER 30 UNDER	±0.25	CHECKED BY K. TOJO	DATE 2004/02/20	MATERIAL NO. SEE CHART		
	30 OVER	±0.3	APPROVED BY M. SASAO	DATE 2004/02/20	DOCUMENT NO. SD-55909-004		
	ANGULAR ±3 °	DRAFT WHERE APPLICABLE MUST REMAIN WITHIN DIMENSIONS		MATERIAL NO. SEE CHART			
				SHEET NO. 1 OF 5			



注記) 製品がポケット内に問題なく収まること。
NOTE. Pocket should contain product smoothly.

24	29.4	25.4	14.16	55909-0674	60	
			12.16	55909-0574	50	
			10.16	55909-0474	40	
			8.96	55909-3474	34	
			8.16	55909-0374	30	
			7.36	55909-2674	26	
			6.96	55909-2474	24	
			6.56	55909-2274	22	
			6.16	55909-0274	20	
キャリアテープ幅 CARRIER TAPE WIDTH		C	B	(A)	MATERIAL NO.	CKT

REVISED EC NO: J2010-0487 DRWN:TKAIHO 2009/09/18 CHK'D:SMARUYAMA 2009/09/18 APPR:MSASAO 2009/09/18	DESCRIPTION	GENERAL TOLERANCES (UNLESS SPECIFIED)	DIMENSION STYLE MM ONLY	SCALE ---	DESIGN UNITS METRIC	MODEL NO. 55909-**74
	REV	10 UNDER ±0.2	DRAWN BY H. SHIMAB	DATE 2004/02/20	TITLE 0.4 B-T-O-B CONN PLUG ASSY(HGT=1.5) EMBSTP PKG	
		10 OVER 30 UNDER ±0.25	CHECKED BY K. TOJO	DATE 2004/02/20	MOLEX INCORPORATED	
		30 OVER ±0.3	APPROVED BY M. SASAO	DATE 2004/02/20	DOCUMENT NO. SD-55909-004	
		ANGULAR ±3 °	MATERIAL NO.	SEE CHART		SHEET NO. 2 OF 5
	DRAFT WHERE APPLICABLE MUST REMAIN WITHIN DIMENSIONS	THIS DRAWING CONTAINS INFORMATION THAT IS PROPRIETARY TO MOLEX INCORPORATED AND SHOULD NOT BE USED WITHOUT WRITTEN PERMISSION				

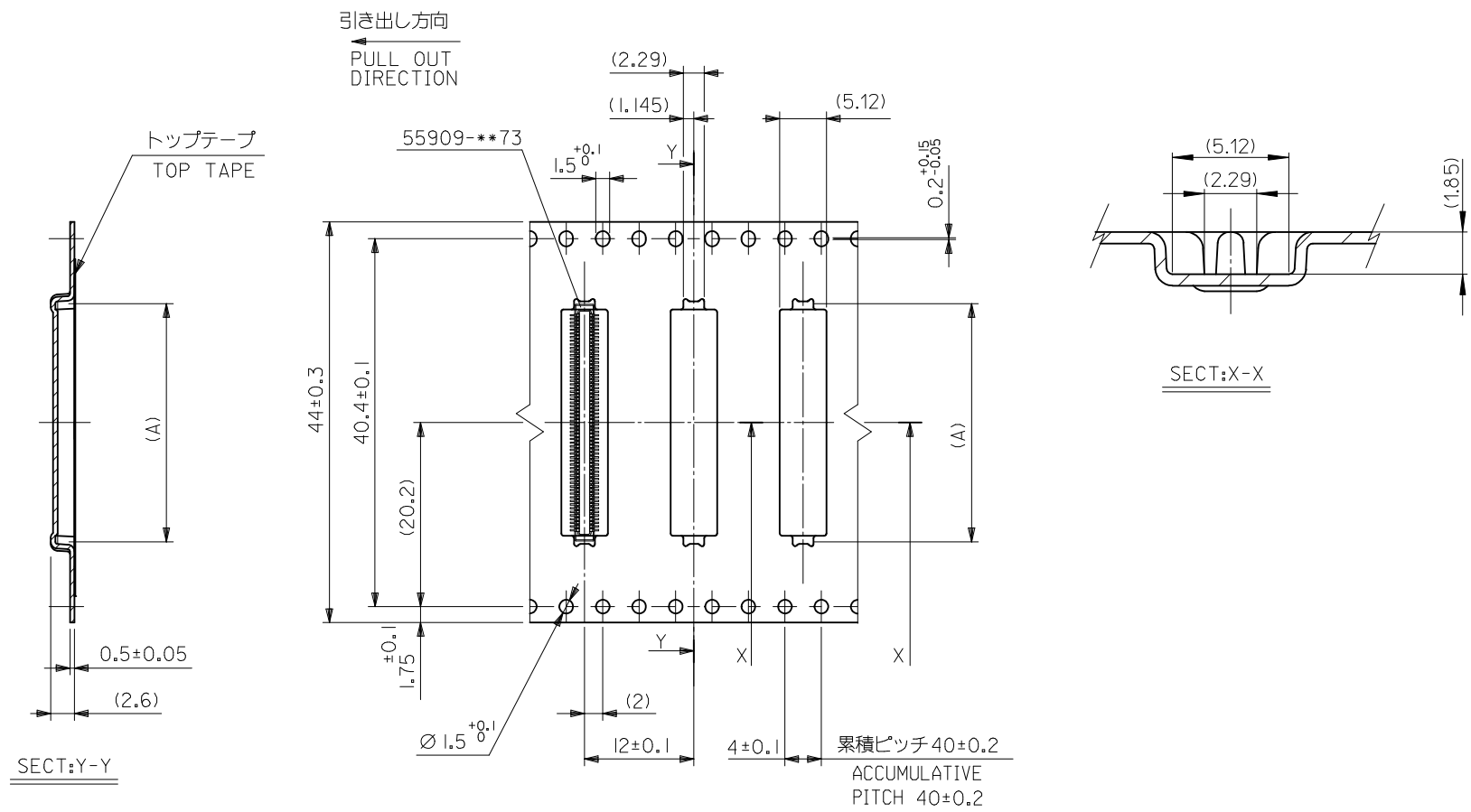


注記) 製品がポケット内に問題なく収まること。
NOTE: Pocket should contain product smoothly.

32mm幅キャリアテープ
32mm WIDTH CARRIER TAPE

32	37.4	33.4	19.16	55909-0974	90
			18.16	55909-0874	80
			16.16	55909-0774	70
キャリアテープ幅 CARRIER TAPE WIDTH	C	B	(A)	MATERIAL NO.	極数 CKT.

REVISED EC NO: J2010-0487 DRWN:TKAIHO 2009/09/18 CHKD:SMARUYAMA 2009/09/18 APPR:MSASAO 2009/09/18	DESCRIPTION	GENERAL TOLERANCES (UNLESS SPECIFIED)	DIMENSION STYLE	SCALE	DESIGN UNITS	MODEL NO.
	REV	10 UNDER ±0.2	MM ONLY	---	METRIC	55909-**74
		10 OVER 30 UNDER ±0.25				THIRD ANGLE PROJECTION
		30 OVER ±0.3				
		ANGULAR ±3 °				
		DRAFT WHERE APPLICABLE MUST REMAIN WITHIN DIMENSIONS				
			DRAWN BY H.SHIMAB	DATE 2004/02/20	TITLE	
			CHECKED BY K.TOJO	DATE 2004/02/20	0.4 B-T-O-B CONN PLUG ASSY(HGT=1.5) EMBSTP PKG	
			APPROVED BY M.SASAO	DATE 2004/02/20	MOLEX INCORPORATED	
			MATERIAL NO.	SEE CHART	DOCUMENT NO.	SD-55909-004
			SIZE A3	THIS DRAWING CONTAINS INFORMATION THAT IS PROPRIETARY TO MOLEX INCORPORATED AND SHOULD NOT BE USED WITHOUT WRITTEN PERMISSION		
						SHEET NO. 3 OF 5

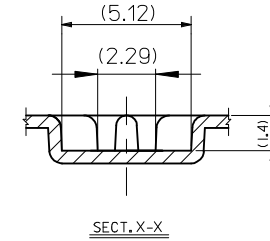
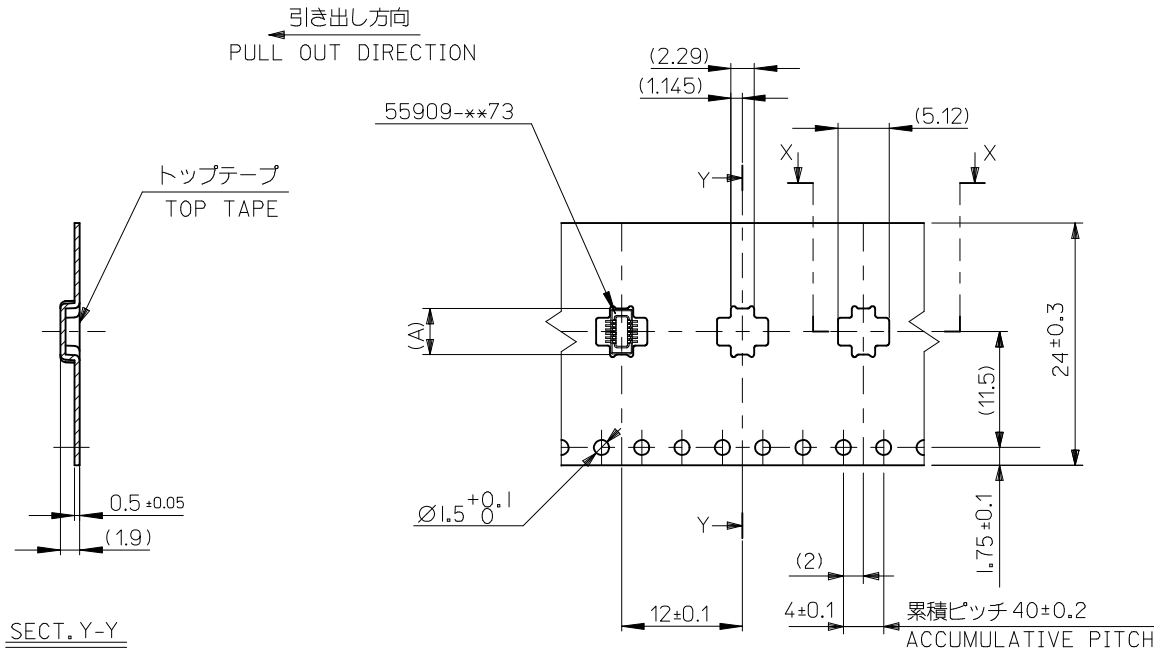


注記) 製品がポケット内に問題なく収まること。
NOTE. Pocket should contain product smoothly.

4.4mm幅キャリアテープ
44mm WIDTH CARRIER TAPE

44	49.4	45.4	22.16	55909-1074	100
キャリアテープ幅 CARRIER TAPE WIDTH	C	B	(A)	MATERIAL NO.	極数 CKT.

REVISED EC NO: J2010-0487 DRWN:TKAIHO 2009/09/18 CH'KD:SMARUYAMA 2009/09/18 APPR:MSASAO 2009/09/18	GENERAL TOLERANCES (UNLESS SPECIFIED)		DIMENSION STYLE MM ONLY		SCALE ---	DESIGN UNITS METRIC	MODEL NO. 55909-**74	THIRD ANGLE PROJECTION
	10 UNDER	±0.2	DRAWN BY H. SHIMAB	DATE 2004/02/20	TITLE 0.4 B-TO-B CONN PLUG ASSY(HGT=1.5) EMBSTP PKG			
	10 OVER 30 UNDER	±0.25	CHECKED BY K. TOJO	DATE 2004/02/20	MATERIAL NO. SD-55909-004			
	30 OVER	±0.3	APPROVED BY M. SASAO	DATE 2004/02/20	SHEET NO. 4 OF 5			
DESCRIPTION	ANGULAR ±3 °	DRAFT WHERE APPLICABLE MUST REMAIN WITHIN DIMENSIONS		SEE CHART		MOLEX INCORPORATED		
REV	SIZE A3		THIS DRAWING CONTAINS INFORMATION THAT IS PROPRIETARY TO MOLEX INCORPORATED AND SHOULD NOT BE USED WITHOUT WRITTEN PERMISSION					



SECT. Y-Y

注記) 製品がポケット内に問題なく収まること。
NOTE. Pocket should contain product smoothly.

24	29.4	25.4	4.56	55909-9974	12
キャリアテープ幅 CARRIER TAPE WIDTH	C	B	(A)	MATERIAL NO.	CKT

REVISED EC NO: J2010-0487 DRWN:TKAIHO 2009/09/18 CHKD:SMARUYAMA 2009/09/18 APPR:MSASAO 2009/09/18	DESCRIPTION	GENERAL TOLERANCES (UNLESS SPECIFIED)	DIMENSION STYLE MM ONLY	SCALE ---	DESIGN UNITS METRIC	MODEL NO. 55909-**74	THIRD ANGLE PROJECTION
	REV	10 UNDER ±0.2	DRAWN BY H. SHIMAB	DATE 2004/02/20	TITLE 0.4 B-T-O-B CONN PLUG ASSY(HGT=1.5) EMBSTP PKG		
		10 OVER 30 UNDER ±0.25	CHECKED BY K. TOJO	DATE 2004/02/20	MATERIAL NO. SEE CHART		
		30 OVER ±0.3	APPROVED BY M. SASAO	DATE 2004/02/20	DOCUMENT NO. SD-55909-004		
	ANGULAR ±3 °	DRAFT WHERE APPLICABLE MUST REMAIN WITHIN DIMENSIONS	SIZE A3	THIS DRAWING CONTAINS INFORMATION THAT IS PROPRIETARY TO MOLEX INCORPORATED AND SHOULD NOT BE USED WITHOUT WRITTEN PERMISSION			



Компания «ЭлектроПласт» предлагает заключение долгосрочных отношений при поставках импортных электронных компонентов на взаимовыгодных условиях!

Наши преимущества:

- Оперативные поставки широкого спектра электронных компонентов отечественного и импортного производства напрямую от производителей и с крупнейших мировых складов;
- Поставка более 17-ти миллионов наименований электронных компонентов;
- Поставка сложных, дефицитных, либо снятых с производства позиций;
- Оперативные сроки поставки под заказ (от 5 рабочих дней);
- Экспресс доставка в любую точку России;
- Техническая поддержка проекта, помощь в подборе аналогов, поставка прототипов;
- Система менеджмента качества сертифицирована по Международному стандарту ISO 9001;
- Лицензия ФСБ на осуществление работ с использованием сведений, составляющих государственную тайну;
- Поставка специализированных компонентов (Xilinx, Altera, Analog Devices, Intersil, Interpoint, Microsemi, Aeroflex, Peregrine, Syfer, Eurofarad, Texas Instrument, Miteq, Cobham, E2V, MA-COM, Hittite, Mini-Circuits, General Dynamics и др.);

Помимо этого, одним из направлений компании «ЭлектроПласт» является направление «Источники питания». Мы предлагаем Вам помощь Конструкторского отдела:

- Подбор оптимального решения, техническое обоснование при выборе компонента;
- Подбор аналогов;
- Консультации по применению компонента;
- Поставка образцов и прототипов;
- Техническая поддержка проекта;
- Защита от снятия компонента с производства.



Как с нами связаться

Телефон: 8 (812) 309 58 32 (многоканальный)

Факс: 8 (812) 320-02-42

Электронная почта: org@eplast1.ru

Адрес: 198099, г. Санкт-Петербург, ул. Калинина, дом 2, корпус 4, литера А.