

SECTION X-X

FCI  
FCIconnect.com

Copyright FCI

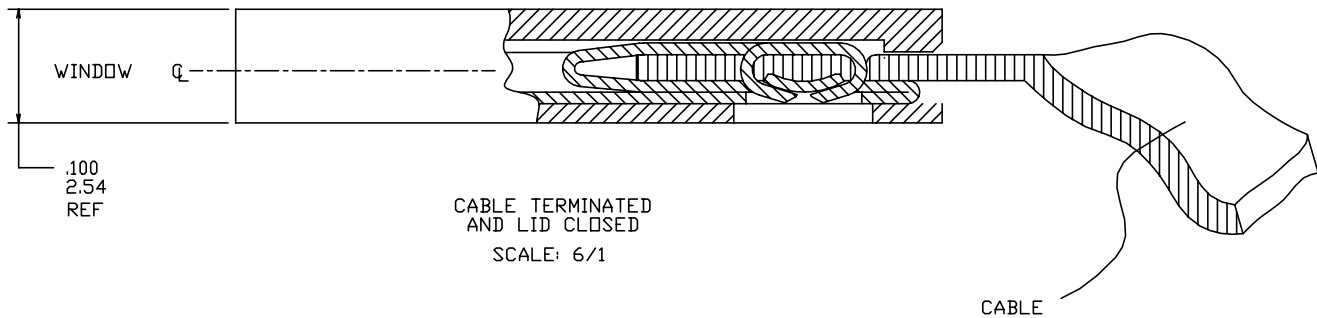
|                   |              |                                       |          |                                  |             |                        |                       |   |  |
|-------------------|--------------|---------------------------------------|----------|----------------------------------|-------------|------------------------|-----------------------|---|--|
| mat'l. code       |              | surface<br>ISO 1302 ✓                 |          | tolerance<br>ISO 406<br>ISO 1101 |             | projection<br>INCH/MM  |                       | product family<br>CLINCHER                |  |
| ltr ecn nodr date |              | tolerances unless otherwise specified |          | title                            |             | scale 3:1              |                       | dwg no sheet 1 of 6 size                  |  |
| A                 | V03-0423     | TAB                                   | 4/17/03  | angles                           | line        | .001±0.003             | .001±0.005/0.001±0.13 | LATCHING CLINCHER™<br>RECEPTACLE ASSEMBLY |  |
| B                 | M05-0087     | MHT                                   | 6/15/05  | 0°±2'                            |             | .000±0.002/0.000±0.051 |                       | 10022753 A3                               |  |
| C                 | M06-0001     | MHT                                   | 1/03/06  |                                  |             |                        |                       | type Product Customer Drawing             |  |
| D                 | M06-0233     | AGS                                   | 06/12/06 | chr                              | T. BRUNGARD | 4/17/03                |                       |   |  |
| E                 | M07-0170     | MHT                                   | 3/30/07  | engr                             | H. SUNDY    | 4/17/03                |                       |   |  |
| F                 | ELX-N-010491 | ZK                                    | 06/03/12 | chr                              | H. SUNDY    | 4/17/03                |                       |   |  |
| sheet index       |              | revision                              |          | appd                             |             | H. SUNDY               |                       | 4/17/03                                   |  |
|                   |              | F                                     | F        | F                                | F           | F                      | F                     |   |  |
|                   |              | 1                                     | 2        | 3                                | 4           | 5                      | 6                     |   |  |

PLATING AVAILABLE

| PLATING CODE | TERMINAL                                      | SPRING   |
|--------------|---|--|
| 1            | 100u"/2.54u MIN. THICK PURE TIN               | 10u"/.25u MIN. THICK PURE TIN                          |
| 2            | 30u"/.76u MIN. GOLD OR GXT STRIPE IN BOX AREA | NOTE 10 3u"/.08u MIN. GOLD OVER 50u"/1.27u MIN. NICKLE |

PRODUCT NUMBER  
10022753-XXXLF

LEAD FREE OPTION  
NOTE 7,8  
NO OF POSITIONS  
AND PLATING  
BASE PART NUMBER



NOTES:

- ① MOLDING MAT'L: THERMOPLASTIC, FLAME RETARDENT PER UL 94V-0. COLOR: BLUE.
- ② TERMINAL MAT'L: 1/2 HARD CuNi ALLOY, UNS-C72500. PLATING: SEE TABULATION AND PLATING TABLE.
- ③ SPRING MAT'L: 1/2 HARD BeCu ALLOY, UNS-C17200. PLATING: SEE TABULATION AND PLATING TABLE.
- ④ LATCH SWINGS CLOSED AFTER TERMINATION MAINTAINING A MAX OVER ALL HEIGHT OF .100/2.54
- ⑤ LABEL IN THIS AREA P/N AND DATE LOT CODE (WEEK AND YEAR) ON DASH No.-067 AND -167 ONLY.
- ⑥ KNURL MARK INDICATES FOR USE WITH INK TERMINATION. CONSULT WITH BERG ELECTRONICS TECHNICAL REPRESENTATIVE FOR SPECIFIC APPLICATIONS.
- ⑦ ADD "LF" SUFFIX AT THE END OF PART NUMBER FOR LEAD FREE OPTION.
- ⑧ THIS PRODUCT MEETS EUROPEAN UNION DIRECTIVES AND OTHER COUNTRY REGULATION AS DESCRIBED IN GS-22-008.
- ⑨ THE PRODUCT IS NOT INTENDED TO BE EXPOSED TO A MANUFACTURING SOLDER PROCESS
- ⑩ PLATING OPTION MAY BE EITHER GOLD OR GXT PLATED AT MANUFACTURER'S OPTION.



INK TERMINATION



CONVENTIONAL TERMINATION

DETAIL Z  
SCALE 6/1

|             |                |                       |                                  |   |                            |
|-------------|----------------|-----------------------|----------------------------------|---|----------------------------|
| mat'l. code |                | surface<br>ISO 1302 ✓ | tolerance<br>ISO 406<br>ISO 1101 | projection<br>⊕                           | product family<br>CLINCHER |
| ltr         | ecn            | no                    | date                             | title                                     |                            |
| F           |                |                       |                                  | LATCHING CLINCHER™<br>RECEPTACLE ASSEMBLY |                            |
| angles      |                | line                  | scale 1:1                        | dwg no 10022753 sheet 2 of 6 size A3      |                            |
| 0°±2'       |                |                       |                                  | type Product Customer Drawing             |                            |
| dr          |                | T. BRUNGARD 4/17/03   |                                  | FCJ                                       |                            |
| engr        |                | H. SUNDY 4/17/03      |                                  |   |                            |
| chr         |                | H. SUNDY 4/17/03      |                                  |   |                            |
| appd        |                | H. SUNDY 4/17/03      |                                  |   |                            |
| sheet index | revision sheet |                       |                                  |   |                            |

| PRODUCT NO.  | NO. OF POSITIONS | DIM. L ENGLISH | DIM. L METRIC | DIM. M ENGLISH | DIM. M METRIC | DIM. C ENGLISH | DIM. C METRIC | PLATING CODE | TERMINATION NOTE 6 |
|--------------|------------------|----------------|---------------|----------------|---------------|----------------|---------------|--------------|--------------------|
| 10022753-006 | 6                | 0.500          | 12.70         | 0.790          | 20.07         | 0.715          | 18.16         | 1            | CONVENTIONAL       |
| 10022753-007 | 7                | 0.600          | 15.24         | 0.890          | 22.61         | 0.815          | 20.70         | 1            | CONVENTIONAL       |
| 10022753-008 | 8                | 0.700          | 17.78         | 0.990          | 25.15         | 0.915          | 23.24         | 1            | CONVENTIONAL       |
| 10022753-009 | 9                | 0.800          | 20.32         | 1.090          | 27.69         | 1.015          | 25.78         | 1            | CONVENTIONAL       |
| 10022753-010 | 10               | 0.900          | 22.86         | 1.190          | 30.23         | 1.115          | 28.32         | 1            | CONVENTIONAL       |
| 10022753-011 | 11               | 1.000          | 25.40         | 1.290          | 32.77         | 1.215          | 30.86         | 1            | CONVENTIONAL       |
| 10022753-012 | 12               | 1.100          | 27.94         | 1.390          | 35.31         | 1.315          | 33.40         | 1            | CONVENTIONAL       |
| 10022753-013 | 13               | 1.200          | 30.48         | 1.490          | 37.85         | 1.415          | 35.94         | 1            | CONVENTIONAL       |
| 10022753-014 | 14               | 1.300          | 33.02         | 1.590          | 40.39         | 1.515          | 38.48         | 1            | CONVENTIONAL       |
| 10022753-015 | 15               | 1.400          | 35.56         | 1.690          | 42.93         | 1.615          | 41.02         | 1            | CONVENTIONAL       |
| 10022753-016 | 16               | 1.500          | 38.10         | 1.790          | 45.47         | 1.715          | 43.56         | 1            | CONVENTIONAL       |
| 10022753-017 | 17               | 1.600          | 40.64         | 1.890          | 48.01         | 1.815          | 46.10         | 1            | CONVENTIONAL       |
| 10022753-018 | 18               | 1.700          | 43.18         | 1.990          | 50.55         | 1.915          | 48.64         | 1            | CONVENTIONAL       |
| 10022753-019 | 19               | 1.800          | 45.72         | 2.090          | 53.09         | 2.015          | 51.18         | 1            | CONVENTIONAL       |
| 10022753-020 | 20               | 1.900          | 48.26         | 2.190          | 55.63         | 2.115          | 53.72         | 1            | CONVENTIONAL       |
| 10022753-021 | 21               | 2.000          | 50.80         | 2.290          | 58.17         | 2.215          | 56.26         | 1            | CONVENTIONAL       |
| 10022753-022 | 22               | 2.100          | 53.34         | 2.390          | 60.71         | 2.315          | 58.80         | 1            | CONVENTIONAL       |
| 10022753-023 | 23               | 2.200          | 55.88         | 2.490          | 63.25         | 2.415          | 61.34         | 1            | CONVENTIONAL       |
| 10022753-024 | 24               | 2.300          | 58.42         | 2.590          | 65.79         | 2.515          | 63.88         | 1            | CONVENTIONAL       |
| 10022753-025 | 25               | 2.400          | 60.96         | 2.690          | 68.33         | 2.615          | 66.42         | 1            | CONVENTIONAL       |
| 10022753-026 | 26               | 2.500          | 63.50         | 2.790          | 70.87         | 2.715          | 68.96         | 1            | CONVENTIONAL       |
| 10022753-027 | 27               | 2.600          | 66.04         | 2.890          | 73.41         | 2.815          | 71.50         | 1            | CONVENTIONAL       |
| 10022753-028 | 28               | 2.700          | 68.58         | 2.990          | 75.95         | 2.915          | 74.04         | 1            | CONVENTIONAL       |
| 10022753-029 | 29               | 2.800          | 71.12         | 3.090          | 78.49         | 3.015          | 76.58         | 1            | CONVENTIONAL       |
| 10022753-030 | 30               | 2.900          | 73.66         | 3.190          | 81.03         | 3.115          | 79.12         | 1            | CONVENTIONAL       |
| 10022753-031 | 31               | 3.000          | 76.20         | 3.290          | 83.57         | 3.215          | 81.66         | 1            | CONVENTIONAL       |
| 10022753-032 | 32               | 3.100          | 78.74         | 3.390          | 86.11         | 3.315          | 84.20         | 1            | CONVENTIONAL       |
| 10022753-033 | 33               | 3.200          | 81.28         | 3.490          | 88.65         | 3.415          | 86.74         | 1            | CONVENTIONAL       |
| 10022753-034 | 34               | 3.300          | 83.82         | 3.590          | 91.19         | 3.515          | 89.28         | 1            | CONVENTIONAL       |

|             |                |                       |                                  |  |   |
|-------------|----------------|-----------------------|----------------------------------|--|---|
| mat'l. code |                | surface<br>ISO 1302 ✓ | tolerance<br>ISO 406<br>ISO 1101 | projection<br>   | product family<br>CLINCHER                |
| ltr         | ecn            | nodr                  | date                             | tolerances unless otherwise specified                                    | title                                     |
| F           |                |                       |                                  | angles<br>0°±2'  | LATCHING CLINCHER™<br>RECEPTACLE ASSEMBLY |
|             |                |                       |                                  | linear<br>XXX±.01/0.XX±0.3<br>XXX±.005/0.XX±0.13<br>XXX±.0020/0.XXX±0.05 | INCH/MM<br>scale 1:1                      |
|             |                |                       |                                  | dr T. BRUNGARD 4/17/03   | dwg no 10022753 sheet 3 of 6 size A3      |
|             |                |                       |                                  | engr H. SUNDY 4/17/03  |   |
|             |                |                       |                                  | chr H. SUNDY 4/17/03   |   |
|             |                |                       |                                  | appd H. SUNDY 4/17/03  | type Product Customer Drawing             |
| sheet index | revision sheet |                       |                                  |  |   |



Copyright FCI

| PRODUCT NO.  | NO. OF POSITIONS | DIM. L ENGLISH | DIM. L METRIC | DIM. M ENGLISH | DIM. M METRIC | DIM. C ENGLISH | DIM. C METRIC | PLATING CODE | TERMINATION NOTE 6 |
|--------------|------------------|----------------|---------------|----------------|---------------|----------------|---------------|--------------|--------------------|
| 10022753-039 | 6                | 0.500          | 12.70         | 0.790          | 20.07         | 0.715          | 18.16         | 2            | CONVENTIONAL       |
| 10022753-040 | 7                | 0.600          | 15.24         | 0.890          | 22.61         | 0.815          | 20.70         | 2            | CONVENTIONAL       |
| 10022753-041 | 8                | 0.700          | 17.78         | 0.990          | 25.15         | 0.915          | 23.24         | 2            | CONVENTIONAL       |
| 10022753-042 | 9                | 0.800          | 20.32         | 1.090          | 27.69         | 1.015          | 25.78         | 2            | CONVENTIONAL       |
| 10022753-043 | 10               | 0.900          | 22.86         | 1.190          | 30.23         | 1.115          | 28.32         | 2            | CONVENTIONAL       |
| 10022753-044 | 11               | 1.000          | 25.40         | 1.290          | 32.77         | 1.215          | 30.86         | 2            | CONVENTIONAL       |
| 10022753-045 | 12               | 1.100          | 27.94         | 1.390          | 35.31         | 1.315          | 33.40         | 2            | CONVENTIONAL       |
| 10022753-046 | 13               | 1.200          | 30.48         | 1.490          | 37.85         | 1.415          | 35.94         | 2            | CONVENTIONAL       |
| 10022753-047 | 14               | 1.300          | 33.02         | 1.590          | 40.39         | 1.515          | 38.48         | 2            | CONVENTIONAL       |
| 10022753-048 | 15               | 1.400          | 35.56         | 1.690          | 42.93         | 1.615          | 41.02         | 2            | CONVENTIONAL       |
| 10022753-049 | 16               | 1.500          | 38.10         | 1.790          | 45.47         | 1.715          | 43.56         | 2            | CONVENTIONAL       |
| 10022753-050 | 17               | 1.600          | 40.64         | 1.890          | 48.01         | 1.815          | 46.10         | 2            | CONVENTIONAL       |
| 10022753-051 | 18               | 1.700          | 43.18         | 1.990          | 50.55         | 1.915          | 48.64         | 2            | CONVENTIONAL       |
| 10022753-052 | 19               | 1.800          | 45.72         | 2.090          | 53.09         | 2.015          | 51.18         | 2            | CONVENTIONAL       |
| 10022753-053 | 20               | 1.900          | 48.26         | 2.190          | 55.63         | 2.115          | 53.72         | 2            | CONVENTIONAL       |
| 10022753-054 | 21               | 2.000          | 50.80         | 2.290          | 58.17         | 2.215          | 56.26         | 2            | CONVENTIONAL       |
| 10022753-055 | 22               | 2.100          | 53.34         | 2.390          | 60.71         | 2.315          | 58.80         | 2            | CONVENTIONAL       |
| 10022753-056 | 23               | 2.200          | 55.88         | 2.490          | 63.25         | 2.415          | 61.34         | 2            | CONVENTIONAL       |
| 10022753-057 | 24               | 2.300          | 58.42         | 2.590          | 65.79         | 2.515          | 63.88         | 2            | CONVENTIONAL       |
| 10022753-058 | 25               | 2.400          | 60.96         | 2.690          | 68.33         | 2.615          | 66.42         | 2            | CONVENTIONAL       |
| 10022753-059 | 26               | 2.500          | 63.50         | 2.790          | 70.87         | 2.715          | 68.96         | 2            | CONVENTIONAL       |
| 10022753-060 | 27               | 2.600          | 66.04         | 2.890          | 73.41         | 2.815          | 71.50         | 2            | CONVENTIONAL       |
| 10022753-061 | 28               | 2.700          | 68.58         | 2.990          | 75.95         | 2.915          | 74.04         | 2            | CONVENTIONAL       |
| 10022753-062 | 29               | 2.800          | 71.12         | 3.090          | 78.49         | 3.015          | 76.58         | 2            | CONVENTIONAL       |
| 10022753-063 | 30               | 2.900          | 73.66         | 3.190          | 81.03         | 3.115          | 79.12         | 2            | CONVENTIONAL       |
| 10022753-064 | 31               | 3.000          | 76.20         | 3.290          | 83.57         | 3.215          | 81.66         | 2            | CONVENTIONAL       |
| 10022753-065 | 32               | 3.100          | 78.74         | 3.390          | 86.11         | 3.315          | 84.20         | 2            | CONVENTIONAL       |
| 10022753-066 | 33               | 3.200          | 81.28         | 3.490          | 88.65         | 3.415          | 86.74         | 2            | CONVENTIONAL       |
| 10022753-067 | 34               | 3.300          | 83.82         | 3.590          | 91.19         | 3.515          | 89.28         | 2            | CONVENTIONAL       |

|             |                |                       |                                  |  |  |
|-------------|----------------|-----------------------|----------------------------------|--|--|
| mat'l. code |                | surface<br>ISO 1302 ✓ | tolerance<br>ISO 406<br>ISO 1101 | projection<br>                                     | product family<br>CLINCHER   |
| ltr         | ecn            | nodr                  | date                             | title<br>LATCHING CLINCHER™<br>RECEPTACLE ASSEMBLY |  |
| F           |                |                       |                                  | angles<br>0°±2'                                    | linear<br>XXX±.01/0.XX±0.3<br>XXXX±.005/0.XX±0.13<br>XXXX±.0020/0.XXX±0.05 |
|             |                |                       |                                  | dr<br>T. BRUNGARD 4/17/03                          | INCH/MM<br>scale 1:1   |
|             |                |                       |                                  | engr<br>H. SUNDY 4/17/03                           | dwg no<br>10022753   |
|             |                |                       |                                  | chr<br>H. SUNDY 4/17/03                            | sheet 4 of 6 size<br>A3  |
|             |                |                       |                                  | appd<br>H. SUNDY 4/17/03                           | type Product Customer Drawing  |
| sheet index | revision sheet |                       |                                  |  |  |

FCIconnect.com

Copyright FCI







Компания «ЭлектроПласт» предлагает заключение долгосрочных отношений при поставках импортных электронных компонентов на взаимовыгодных условиях!

Наши преимущества:

- Оперативные поставки широкого спектра электронных компонентов отечественного и импортного производства напрямую от производителей и с крупнейших мировых складов;
- Поставка более 17-ти миллионов наименований электронных компонентов;
- Поставка сложных, дефицитных, либо снятых с производства позиций;
- Оперативные сроки поставки под заказ (от 5 рабочих дней);
- Экспресс доставка в любую точку России;
- Техническая поддержка проекта, помощь в подборе аналогов, поставка прототипов;
- Система менеджмента качества сертифицирована по Международному стандарту ISO 9001;
- Лицензия ФСБ на осуществление работ с использованием сведений, составляющих государственную тайну;
- Поставка специализированных компонентов (Xilinx, Altera, Analog Devices, Intersil, Interpoint, Microsemi, Aeroflex, Peregrine, Syfer, Eurofarad, Texas Instrument, Miteq, Cobham, E2V, MA-COM, Hittite, Mini-Circuits, General Dynamics и др.);

Помимо этого, одним из направлений компании «ЭлектроПласт» является направление «Источники питания». Мы предлагаем Вам помощь Конструкторского отдела:

- Подбор оптимального решения, техническое обоснование при выборе компонента;
- Подбор аналогов;
- Консультации по применению компонента;
- Поставка образцов и прототипов;
- Техническая поддержка проекта;
- Защита от снятия компонента с производства.



#### Как с нами связаться

**Телефон:** 8 (812) 309 58 32 (многоканальный)

**Факс:** 8 (812) 320-02-42

**Электронная почта:** [org@eplast1.ru](mailto:org@eplast1.ru)

**Адрес:** 198099, г. Санкт-Петербург, ул. Калинина, дом 2, корпус 4, литера А.