

SECTION X-X

FCI
FCIconnect.com

Copyright FCI

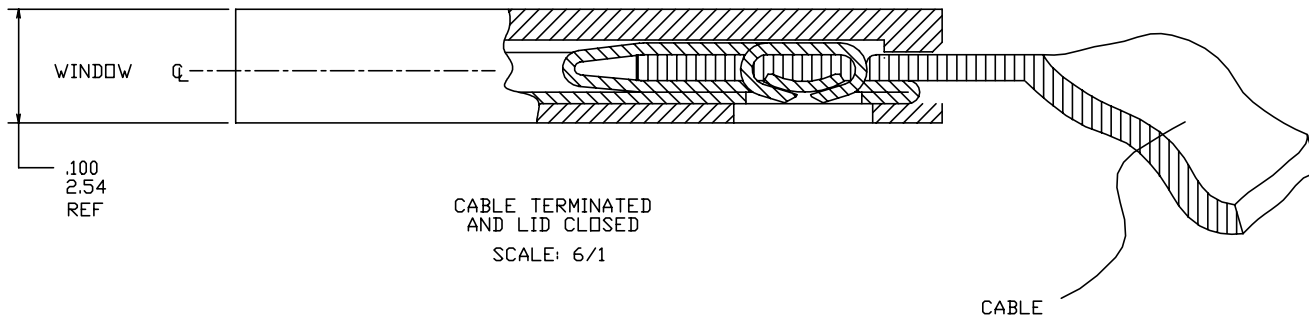
| | | | | | | | | | |
|-------------------|--------------|---------------------------------------|----------|----------------------------------|-------------|-----------------------|-----------|---|--|
| mat'l. code | | surface ISO 1302 ✓ | | tolerance ISO 406 ISO 1101 | | projection INCH/MM | | product family CLINCHER | |
| ltr ecn nodr date | | tolerances unless otherwise specified | | title | | dwg no | | sheet 1 of 6 size | |
| A | V03-0423 | TAB | 4/17/03 | angles | line | XXX±.01/0.XXX±0.3 | scale 3:1 | LATCHING CLINCHER™ RECEPTACLE ASSEMBLY | |
| B | M05-0087 | MHT | 6/15/05 | 0°±2' | | XXX±.005/0.XXX±0.13 | | 10022753 A3 | |
| C | M06-0001 | MHT | 1/03/06 | | | XXX±.0020/0.XXX±0.051 | | type Product Customer Drawing | |
| D | M06-0233 | AGS | 06/12/06 | chr | T. BRUNGARD | 4/17/03 | | | |
| E | M07-0170 | MHT | 3/30/07 | engr | H. SUNDY | 4/17/03 | | | |
| F | ELX-N-010491 | ZK | 06/03/12 | chr | H. SUNDY | 4/17/03 | | | |
| sheet index | | revision | | appd | | H. SUNDY | | 4/17/03 | |
| | | F | F | F | F | F | F | | |
| | | 1 | 2 | 3 | 4 | 5 | 6 | | |

PLATING AVAILABLE

| PLATING CODE | TERMINAL | SPRING |
|--------------|---|--|
| 1 | 100u"/2.54u MIN. THICK PURE TIN | 10u"/.25u MIN. THICK PURE TIN |
| 2 | 30u"/.76u MIN. GOLD OR GXT STRIPE IN BOX AREA | NOTE 10 3u"/.08u MIN. GOLD OVER 50u"/1.27u MIN. NICKLE |

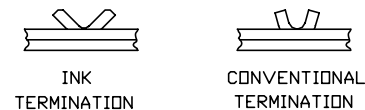
PRODUCT NUMBER
10022753-XXXLF

LEAD FREE OPTION
NOTE 7,8
NO OF POSITIONS
AND PLATING
BASE PART NUMBER



NOTES:

- ① MOLDING MAT'L: THERMOPLASTIC, FLAME RETARDENT PER UL 94V-0. COLOR: BLUE.
- ② TERMINAL MAT'L: 1/2 HARD CuNi ALLOY, UNS-C72500. PLATING: SEE TABULATION AND PLATING TABLE.
- ③ SPRING MAT'L: 1/2 HARD BeCu ALLOY, UNS-C17200. PLATING: SEE TABULATION AND PLATING TABLE.
- ④ LATCH SWINGS CLOSED AFTER TERMINATION MAINTAINING A MAX OVER ALL HEIGHT OF .100/2.54
- ⑤ LABEL IN THIS AREA P/N AND DATE LOT CODE (WEEK AND YEAR) ON DASH No.-067 AND -167 ONLY.
- ⑥ KNURL MARK INDICATES FOR USE WITH INK TERMINATION. CONSULT WITH BERG ELECTRONICS TECHNICAL REPRESENTATIVE FOR SPECIFIC APPLICATIONS.
- ⑦ ADD "LF" SUFFIX AT THE END OF PART NUMBER FOR LEAD FREE OPTION.
- ⑧ THIS PRODUCT MEETS EUROPEAN UNION DIRECTIVES AND OTHER COUNTRY REGULATION AS DESCRIBED IN GS-22-008.
- ⑨ THE PRODUCT IS NOT INTENDED TO BE EXPOSED TO A MANUFACTURING SOLDER PROCESS
- ⑩ PLATING OPTION MAY BE EITHER GOLD OR GXT PLATED AT MANUFACTURER'S OPTION.



DETAIL Z
SCALE 6/1

| | | | | | |
|-------------|----------------|-----------------------|--|---|----------------------------|
| mat'l. code | | surface ISO 1302 ✓ | tolerance ISO 406 ISO 1101 | projection ⊙ ◁ | product family CLINCHER |
| ltr | ecr | nodr | date | title | |
| F | | | | LATCHING CLINCHER™ RECEPTACLE ASSEMBLY | |
| angles | | line | tolerances unless otherwise specified | INCH/MM | scale 1:1 |
| 0°±2' | | | .XX±.01/0.XX±0.3 .XXX±.005/0.XX±0.13 .XXX±.0020/0.XXX±0.05 | | |
| dr | T. BRUNGARD | 4/17/03 | | dwg no sheet 2 of 6 size | |
| engr | H. SUNDY | 4/17/03 | | 10022753 A3 | |
| chr | H. SUNDY | 4/17/03 | | type Product Customer Drawing | |
| appd | H. SUNDY | 4/17/03 | | | |
| sheet index | revision sheet | | | | |

| PRODUCT NO. | NO. OF POSITIONS | DIM. L ENGLISH | DIM. L METRIC | DIM. M ENGLISH | DIM. M METRIC | DIM. C ENGLISH | DIM. C METRIC | PLATING CODE | TERMINATION NOTE 6 |
|--------------|------------------|----------------|---------------|----------------|---------------|----------------|---------------|--------------|--------------------|
| 10022753-006 | 6 | 0.500 | 12.70 | 0.790 | 20.07 | 0.715 | 18.16 | 1 | CONVENTIONAL |
| 10022753-007 | 7 | 0.600 | 15.24 | 0.890 | 22.61 | 0.815 | 20.70 | 1 | CONVENTIONAL |
| 10022753-008 | 8 | 0.700 | 17.78 | 0.990 | 25.15 | 0.915 | 23.24 | 1 | CONVENTIONAL |
| 10022753-009 | 9 | 0.800 | 20.32 | 1.090 | 27.69 | 1.015 | 25.78 | 1 | CONVENTIONAL |
| 10022753-010 | 10 | 0.900 | 22.86 | 1.190 | 30.23 | 1.115 | 28.32 | 1 | CONVENTIONAL |
| 10022753-011 | 11 | 1.000 | 25.40 | 1.290 | 32.77 | 1.215 | 30.86 | 1 | CONVENTIONAL |
| 10022753-012 | 12 | 1.100 | 27.94 | 1.390 | 35.31 | 1.315 | 33.40 | 1 | CONVENTIONAL |
| 10022753-013 | 13 | 1.200 | 30.48 | 1.490 | 37.85 | 1.415 | 35.94 | 1 | CONVENTIONAL |
| 10022753-014 | 14 | 1.300 | 33.02 | 1.590 | 40.39 | 1.515 | 38.48 | 1 | CONVENTIONAL |
| 10022753-015 | 15 | 1.400 | 35.56 | 1.690 | 42.93 | 1.615 | 41.02 | 1 | CONVENTIONAL |
| 10022753-016 | 16 | 1.500 | 38.10 | 1.790 | 45.47 | 1.715 | 43.56 | 1 | CONVENTIONAL |
| 10022753-017 | 17 | 1.600 | 40.64 | 1.890 | 48.01 | 1.815 | 46.10 | 1 | CONVENTIONAL |
| 10022753-018 | 18 | 1.700 | 43.18 | 1.990 | 50.55 | 1.915 | 48.64 | 1 | CONVENTIONAL |
| 10022753-019 | 19 | 1.800 | 45.72 | 2.090 | 53.09 | 2.015 | 51.18 | 1 | CONVENTIONAL |
| 10022753-020 | 20 | 1.900 | 48.26 | 2.190 | 55.63 | 2.115 | 53.72 | 1 | CONVENTIONAL |
| 10022753-021 | 21 | 2.000 | 50.80 | 2.290 | 58.17 | 2.215 | 56.26 | 1 | CONVENTIONAL |
| 10022753-022 | 22 | 2.100 | 53.34 | 2.390 | 60.71 | 2.315 | 58.80 | 1 | CONVENTIONAL |
| 10022753-023 | 23 | 2.200 | 55.88 | 2.490 | 63.25 | 2.415 | 61.34 | 1 | CONVENTIONAL |
| 10022753-024 | 24 | 2.300 | 58.42 | 2.590 | 65.79 | 2.515 | 63.88 | 1 | CONVENTIONAL |
| 10022753-025 | 25 | 2.400 | 60.96 | 2.690 | 68.33 | 2.615 | 66.42 | 1 | CONVENTIONAL |
| 10022753-026 | 26 | 2.500 | 63.50 | 2.790 | 70.87 | 2.715 | 68.96 | 1 | CONVENTIONAL |
| 10022753-027 | 27 | 2.600 | 66.04 | 2.890 | 73.41 | 2.815 | 71.50 | 1 | CONVENTIONAL |
| 10022753-028 | 28 | 2.700 | 68.58 | 2.990 | 75.95 | 2.915 | 74.04 | 1 | CONVENTIONAL |
| 10022753-029 | 29 | 2.800 | 71.12 | 3.090 | 78.49 | 3.015 | 76.58 | 1 | CONVENTIONAL |
| 10022753-030 | 30 | 2.900 | 73.66 | 3.190 | 81.03 | 3.115 | 79.12 | 1 | CONVENTIONAL |
| 10022753-031 | 31 | 3.000 | 76.20 | 3.290 | 83.57 | 3.215 | 81.66 | 1 | CONVENTIONAL |
| 10022753-032 | 32 | 3.100 | 78.74 | 3.390 | 86.11 | 3.315 | 84.20 | 1 | CONVENTIONAL |
| 10022753-033 | 33 | 3.200 | 81.28 | 3.490 | 88.65 | 3.415 | 86.74 | 1 | CONVENTIONAL |
| 10022753-034 | 34 | 3.300 | 83.82 | 3.590 | 91.19 | 3.515 | 89.28 | 1 | CONVENTIONAL |

| | | | | | |
|-------------|----------------|-----------------------|----------------------------------|---|---|
| mat'l. code | | surface ISO 1302 ✓ | tolerance ISO 406 ISO 1101 | projection | product family CLINCHER |
| ltr | ecn | nodr | date | tolerances unless otherwise specified | title |
| F | | | | angles 0°±2' | LATCHING CLINCHER™ RECEPTACLE ASSEMBLY |
| | | | | linear XXX±.01/0.XX±0.3 XXX±.005/0.XX±0.13 XXX±.0020/0.XXX±0.051 | INCH/MM scale 1:1 |
| | | | | dr T. BRUNGARD 4/17/03 | dwg no 10022753 sheet 3 of 6 size A3 |
| | | | | engr H. SUNDY 4/17/03 | type Product Customer Drawing |
| | | | | chr H. SUNDY 4/17/03 | |
| | | | | appd H. SUNDY 4/17/03 | |
| sheet index | revision sheet | | | | |



Copyright FCI

| PRODUCT NO. | NO. OF POSITIONS | DIM. L ENGLISH | DIM. L METRIC | DIM. M ENGLISH | DIM. M METRIC | DIM. C ENGLISH | DIM. C METRIC | PLATING CODE | TERMINATION NOTE 6 |
|--------------|------------------|----------------|---------------|----------------|---------------|----------------|---------------|--------------|--------------------|
| 10022753-039 | 6 | 0.500 | 12.70 | 0.790 | 20.07 | 0.715 | 18.16 | 2 | CONVENTIONAL |
| 10022753-040 | 7 | 0.600 | 15.24 | 0.890 | 22.61 | 0.815 | 20.70 | 2 | CONVENTIONAL |
| 10022753-041 | 8 | 0.700 | 17.78 | 0.990 | 25.15 | 0.915 | 23.24 | 2 | CONVENTIONAL |
| 10022753-042 | 9 | 0.800 | 20.32 | 1.090 | 27.69 | 1.015 | 25.78 | 2 | CONVENTIONAL |
| 10022753-043 | 10 | 0.900 | 22.86 | 1.190 | 30.23 | 1.115 | 28.32 | 2 | CONVENTIONAL |
| 10022753-044 | 11 | 1.000 | 25.40 | 1.290 | 32.77 | 1.215 | 30.86 | 2 | CONVENTIONAL |
| 10022753-045 | 12 | 1.100 | 27.94 | 1.390 | 35.31 | 1.315 | 33.40 | 2 | CONVENTIONAL |
| 10022753-046 | 13 | 1.200 | 30.48 | 1.490 | 37.85 | 1.415 | 35.94 | 2 | CONVENTIONAL |
| 10022753-047 | 14 | 1.300 | 33.02 | 1.590 | 40.39 | 1.515 | 38.48 | 2 | CONVENTIONAL |
| 10022753-048 | 15 | 1.400 | 35.56 | 1.690 | 42.93 | 1.615 | 41.02 | 2 | CONVENTIONAL |
| 10022753-049 | 16 | 1.500 | 38.10 | 1.790 | 45.47 | 1.715 | 43.56 | 2 | CONVENTIONAL |
| 10022753-050 | 17 | 1.600 | 40.64 | 1.890 | 48.01 | 1.815 | 46.10 | 2 | CONVENTIONAL |
| 10022753-051 | 18 | 1.700 | 43.18 | 1.990 | 50.55 | 1.915 | 48.64 | 2 | CONVENTIONAL |
| 10022753-052 | 19 | 1.800 | 45.72 | 2.090 | 53.09 | 2.015 | 51.18 | 2 | CONVENTIONAL |
| 10022753-053 | 20 | 1.900 | 48.26 | 2.190 | 55.63 | 2.115 | 53.72 | 2 | CONVENTIONAL |
| 10022753-054 | 21 | 2.000 | 50.80 | 2.290 | 58.17 | 2.215 | 56.26 | 2 | CONVENTIONAL |
| 10022753-055 | 22 | 2.100 | 53.34 | 2.390 | 60.71 | 2.315 | 58.80 | 2 | CONVENTIONAL |
| 10022753-056 | 23 | 2.200 | 55.88 | 2.490 | 63.25 | 2.415 | 61.34 | 2 | CONVENTIONAL |
| 10022753-057 | 24 | 2.300 | 58.42 | 2.590 | 65.79 | 2.515 | 63.88 | 2 | CONVENTIONAL |
| 10022753-058 | 25 | 2.400 | 60.96 | 2.690 | 68.33 | 2.615 | 66.42 | 2 | CONVENTIONAL |
| 10022753-059 | 26 | 2.500 | 63.50 | 2.790 | 70.87 | 2.715 | 68.96 | 2 | CONVENTIONAL |
| 10022753-060 | 27 | 2.600 | 66.04 | 2.890 | 73.41 | 2.815 | 71.50 | 2 | CONVENTIONAL |
| 10022753-061 | 28 | 2.700 | 68.58 | 2.990 | 75.95 | 2.915 | 74.04 | 2 | CONVENTIONAL |
| 10022753-062 | 29 | 2.800 | 71.12 | 3.090 | 78.49 | 3.015 | 76.58 | 2 | CONVENTIONAL |
| 10022753-063 | 30 | 2.900 | 73.66 | 3.190 | 81.03 | 3.115 | 79.12 | 2 | CONVENTIONAL |
| 10022753-064 | 31 | 3.000 | 76.20 | 3.290 | 83.57 | 3.215 | 81.66 | 2 | CONVENTIONAL |
| 10022753-065 | 32 | 3.100 | 78.74 | 3.390 | 86.11 | 3.315 | 84.20 | 2 | CONVENTIONAL |
| 10022753-066 | 33 | 3.200 | 81.28 | 3.490 | 88.65 | 3.415 | 86.74 | 2 | CONVENTIONAL |
| 10022753-067 | 34 | 3.300 | 83.82 | 3.590 | 91.19 | 3.515 | 89.28 | 2 | CONVENTIONAL |

| | | | | | |
|-------------|----------------|-----------------------|----------------------------------|--|--|
| mat'l. code | | surface ISO 1302 ✓ | tolerance ISO 406 ISO 1101 | projection | product family CLINCHER |
| ltr | ecn | nodr | date | title LATCHING CLINCHER™ RECEPTACLE ASSEMBLY | |
| F | | | | angles 0°±2' | linear XXX±.01/0.XX±0.3 XXXX±.005/0.XX±0.13 XXXX±.0020/0.XXX±0.05 |
| | | | | dr T. BRUNGARD 4/17/03 | INCH/MM scale 1:1 |
| | | | | engr H. SUNDY 4/17/03 | dwg no 10022753 sheet 4 of 6 size A3 |
| | | | | chr H. SUNDY 4/17/03 | type Product Customer Drawing |
| | | | | appd H. SUNDY 4/17/03 | |
| sheet index | revision sheet | | | | |

FCIconnect.com

Copyright FCI

| PRODUCT NO. | NO. OF POSITIONS | DIM. L ENGLISH | DIM. L METRIC | DIM. M ENGLISH | DIM. M METRIC | DIM. C ENGLISH | DIM. C METRIC | PLATING CODE | TERMINATION NOTE 6 |
|--------------|------------------|----------------|---------------|----------------|---------------|----------------|---------------|--------------|--------------------|
| 10022753-106 | 6 | 0.500 | 12.70 | 0.790 | 20.07 | 0.715 | 18.16 | 1 | INK |
| 10022753-107 | 7 | 0.600 | 15.24 | 0.890 | 22.61 | 0.815 | 20.70 | 1 | INK |
| 10022753-108 | 8 | 0.700 | 17.78 | 0.990 | 25.15 | 0.915 | 23.24 | 1 | INK |
| 10022753-109 | 9 | 0.800 | 20.32 | 1.090 | 27.69 | 1.015 | 25.78 | 1 | INK |
| 10022753-110 | 10 | 0.900 | 22.86 | 1.190 | 30.23 | 1.115 | 28.32 | 1 | INK |
| 10022753-111 | 11 | 1.000 | 25.40 | 1.290 | 32.77 | 1.215 | 30.86 | 1 | INK |
| 10022753-112 | 12 | 1.100 | 27.94 | 1.390 | 35.31 | 1.315 | 33.40 | 1 | INK |
| 10022753-113 | 13 | 1.200 | 30.48 | 1.490 | 37.85 | 1.415 | 35.94 | 1 | INK |
| 10022753-114 | 14 | 1.300 | 33.02 | 1.590 | 40.39 | 1.515 | 38.48 | 1 | INK |
| 10022753-115 | 15 | 1.400 | 35.56 | 1.690 | 42.93 | 1.615 | 41.02 | 1 | INK |
| 10022753-116 | 16 | 1.500 | 38.10 | 1.790 | 45.47 | 1.715 | 43.56 | 1 | INK |
| 10022753-117 | 17 | 1.600 | 40.64 | 1.890 | 48.01 | 1.815 | 46.10 | 1 | INK |
| 10022753-118 | 18 | 1.700 | 43.18 | 1.990 | 50.55 | 1.915 | 48.64 | 1 | INK |
| 10022753-119 | 19 | 1.800 | 45.72 | 2.090 | 53.09 | 2.015 | 51.18 | 1 | INK |
| 10022753-120 | 20 | 1.900 | 48.26 | 2.190 | 55.63 | 2.115 | 53.72 | 1 | INK |
| 10022753-121 | 21 | 2.000 | 50.80 | 2.290 | 58.17 | 2.215 | 56.26 | 1 | INK |
| 10022753-122 | 22 | 2.100 | 53.34 | 2.390 | 60.71 | 2.315 | 58.80 | 1 | INK |
| 10022753-123 | 23 | 2.200 | 55.88 | 2.490 | 63.25 | 2.415 | 61.34 | 1 | INK |
| 10022753-124 | 24 | 2.300 | 58.42 | 2.590 | 65.79 | 2.515 | 63.88 | 1 | INK |
| 10022753-125 | 25 | 2.400 | 60.96 | 2.690 | 68.33 | 2.615 | 66.42 | 1 | INK |
| 10022753-126 | 26 | 2.500 | 63.50 | 2.790 | 70.87 | 2.715 | 68.96 | 1 | INK |
| 10022753-127 | 27 | 2.600 | 66.04 | 2.890 | 73.41 | 2.815 | 71.50 | 1 | INK |
| 10022753-128 | 28 | 2.700 | 68.58 | 2.990 | 75.95 | 2.915 | 74.04 | 1 | INK |
| 10022753-129 | 29 | 2.800 | 71.12 | 3.090 | 78.49 | 3.015 | 76.58 | 1 | INK |
| 10022753-130 | 30 | 2.900 | 73.66 | 3.190 | 81.03 | 3.115 | 79.12 | 1 | INK |
| 10022753-131 | 31 | 3.000 | 76.20 | 3.290 | 83.57 | 3.215 | 81.66 | 1 | INK |
| 10022753-132 | 32 | 3.100 | 78.74 | 3.390 | 86.11 | 3.315 | 84.20 | 1 | INK |
| 10022753-133 | 33 | 3.200 | 81.28 | 3.490 | 88.65 | 3.415 | 86.74 | 1 | INK |
| 10022753-134 | 34 | 3.300 | 83.82 | 3.590 | 91.19 | 3.515 | 89.28 | 1 | INK |

| | | | | | |
|-------------|----------------|-----------------------|----------------------------------|--|--|
| mat'l. code | | surface ISO 1302 ✓ | tolerance ISO 406 ISO 1101 | projection | product family CLINCHER |
| ltr | ecn | nodr | date | title LATCHING CLINCHER™ RECEPTACLE ASSEMBLY | |
| F | | | | angles 0°±2' | linea XXX±.005/0.XXX±0.13 XXXX±.0020/0.XXX±0.051 |
| | | | | dr T. BRUNGARD 4/17/03 | INCH/MM scale 1:1 |
| | | | | engr H. SUNDY 4/17/03 | dwg no 10022753 |
| | | | | chr H. SUNDY 4/17/03 | sheet 5 of 6 A3 |
| | | | | appd H. SUNDY 4/17/03 | type Product Customer Drawing |
| sheet index | revision sheet | | | | |

FCIconnect.com

Copyright FCI

| PRODUCT NO. | NO. OF | DIM. L | DIM. L | DIM. M | DIM. M | DIM. C | DIM. C | PLATING | TERMINATION |
|--------------|-----------|---------|--------|---------|--------|---------|--------|---------|-------------|
| NOTE 7 | POSITIONS | ENGLISH | METRIC | ENGLISH | METRIC | ENGLISH | METRIC | CODE | NOTE 6 |
| 10022753-139 | 6 | 0.500 | 12.70 | 0.790 | 20.07 | 0.715 | 18.16 | 2 | INK |
| 10022753-140 | 7 | 0.600 | 15.24 | 0.890 | 22.61 | 0.815 | 20.70 | 2 | INK |
| 10022753-141 | 8 | 0.700 | 17.78 | 0.990 | 25.15 | 0.915 | 23.24 | 2 | INK |
| 10022753-142 | 9 | 0.800 | 20.32 | 1.090 | 27.69 | 1.015 | 25.78 | 2 | INK |
| 10022753-143 | 10 | 0.900 | 22.86 | 1.190 | 30.23 | 1.115 | 28.32 | 2 | INK |
| 10022753-144 | 11 | 1.000 | 25.40 | 1.290 | 32.77 | 1.215 | 30.86 | 2 | INK |
| 10022753-145 | 12 | 1.100 | 27.94 | 1.390 | 35.31 | 1.315 | 33.40 | 2 | INK |
| 10022753-146 | 13 | 1.200 | 30.48 | 1.490 | 37.85 | 1.415 | 35.94 | 2 | INK |
| 10022753-147 | 14 | 1.300 | 33.02 | 1.590 | 40.39 | 1.515 | 38.48 | 2 | INK |
| 10022753-148 | 15 | 1.400 | 35.56 | 1.690 | 42.93 | 1.615 | 41.02 | 2 | INK |
| 10022753-149 | 16 | 1.500 | 38.10 | 1.790 | 45.47 | 1.715 | 43.56 | 2 | INK |
| 10022753-150 | 17 | 1.600 | 40.64 | 1.890 | 48.01 | 1.815 | 46.10 | 2 | INK |
| 10022753-151 | 18 | 1.700 | 43.18 | 1.990 | 50.55 | 1.915 | 48.64 | 2 | INK |
| 10022753-152 | 19 | 1.800 | 45.72 | 2.090 | 53.09 | 2.015 | 51.18 | 2 | INK |
| 10022753-153 | 20 | 1.900 | 48.26 | 2.190 | 55.63 | 2.115 | 53.72 | 2 | INK |
| 10022753-154 | 21 | 2.000 | 50.80 | 2.290 | 58.17 | 2.215 | 56.26 | 2 | INK |
| 10022753-155 | 22 | 2.100 | 53.34 | 2.390 | 60.71 | 2.315 | 58.80 | 2 | INK |
| 10022753-156 | 23 | 2.200 | 55.88 | 2.490 | 63.25 | 2.415 | 61.34 | 2 | INK |
| 10022753-157 | 24 | 2.300 | 58.42 | 2.590 | 65.79 | 2.515 | 63.88 | 2 | INK |
| 10022753-158 | 25 | 2.400 | 60.96 | 2.690 | 68.33 | 2.615 | 66.42 | 2 | INK |
| 10022753-159 | 26 | 2.500 | 63.50 | 2.790 | 70.87 | 2.715 | 68.96 | 2 | INK |
| 10022753-160 | 27 | 2.600 | 66.04 | 2.890 | 73.41 | 2.815 | 71.50 | 2 | INK |
| 10022753-161 | 28 | 2.700 | 68.58 | 2.990 | 75.95 | 2.915 | 74.04 | 2 | INK |
| 10022753-162 | 29 | 2.800 | 71.12 | 3.090 | 78.49 | 3.015 | 76.58 | 2 | INK |
| 10022753-163 | 30 | 2.900 | 73.66 | 3.190 | 81.03 | 3.115 | 79.12 | 2 | INK |
| 10022753-164 | 31 | 3.000 | 76.20 | 3.290 | 83.57 | 3.215 | 81.66 | 2 | INK |
| 10022753-165 | 32 | 3.100 | 78.74 | 3.390 | 86.11 | 3.315 | 84.20 | 2 | INK |
| 10022753-166 | 33 | 3.200 | 81.28 | 3.490 | 88.65 | 3.415 | 86.74 | 2 | INK |
| 10022753-167 | 34 | 3.300 | 83.82 | 3.590 | 91.19 | 3.515 | 89.28 | 2 | INK |

| | | | | | |
|-------------|----------|--|----------------------------------|-------------------------|---|
| mat'l. code | | surface ISO 1302 ✓ | tolerance ISO 406 ISO 1101 | projection | product family CLINCHER |
| ltr | ecn | no | dr | date | tolerances unless otherwise specified |
| F | | | | | angles 0°±2' |
| | | | | | linea XXX±.01/0XX±0.3 XXXX±.005/0XX±0.13 XXXX±.0020/0XX±0.05 |
| | | | | | INCH/MM |
| | | | | | scale 1:1 |
| | | | dr | T. BRUNGARD | 4/17/03 |
| | | | engr | H. SUNDY | 4/17/03 |
| | | | chr | H. SUNDY | 4/17/03 |
| | | | appd | H. SUNDY | 4/17/03 |
| sheet | revision | | | | |
| index | sheet | | | | |
| | | title LATCHING CLINCHER™ RECEPTACLE ASSEMBLY | | dwg no 10022753 | |
| | | type Product Customer Drawing | | sheet 6 of 6 size A3 | |



Компания «ЭлектроПласт» предлагает заключение долгосрочных отношений при поставках импортных электронных компонентов на взаимовыгодных условиях!

Наши преимущества:

- Оперативные поставки широкого спектра электронных компонентов отечественного и импортного производства напрямую от производителей и с крупнейших мировых складов;
- Поставка более 17-ти миллионов наименований электронных компонентов;
- Поставка сложных, дефицитных, либо снятых с производства позиций;
- Оперативные сроки поставки под заказ (от 5 рабочих дней);
- Экспресс доставка в любую точку России;
- Техническая поддержка проекта, помощь в подборе аналогов, поставка прототипов;
- Система менеджмента качества сертифицирована по Международному стандарту ISO 9001;
- Лицензия ФСБ на осуществление работ с использованием сведений, составляющих государственную тайну;
- Поставка специализированных компонентов (Xilinx, Altera, Analog Devices, Intersil, Interpoint, Microsemi, Aeroflex, Peregrine, Syfer, Eurofarad, Texas Instrument, Miteq, Cobham, E2V, MA-COM, Hittite, Mini-Circuits, General Dynamics и др.);

Помимо этого, одним из направлений компании «ЭлектроПласт» является направление «Источники питания». Мы предлагаем Вам помощь Конструкторского отдела:

- Подбор оптимального решения, техническое обоснование при выборе компонента;
- Подбор аналогов;
- Консультации по применению компонента;
- Поставка образцов и прототипов;
- Техническая поддержка проекта;
- Защита от снятия компонента с производства.



Как с нами связаться

Телефон: 8 (812) 309 58 32 (многоканальный)

Факс: 8 (812) 320-02-42

Электронная почта: org@eplast1.ru

Адрес: 198099, г. Санкт-Петербург, ул. Калинина, дом 2, корпус 4, литера А.