

AC axial fans A series

General information

AC axial fans

AC axial S series

AC axial fans, A series

Ø 200 - Ø 350

158

AC axial K series

AC axial A series

EC axial fans

EC axial S series

Q-motor

ESM

EC-SYSTEMS

Accessories

Technology

Contacts



AC axial fans

A series, Ø 200



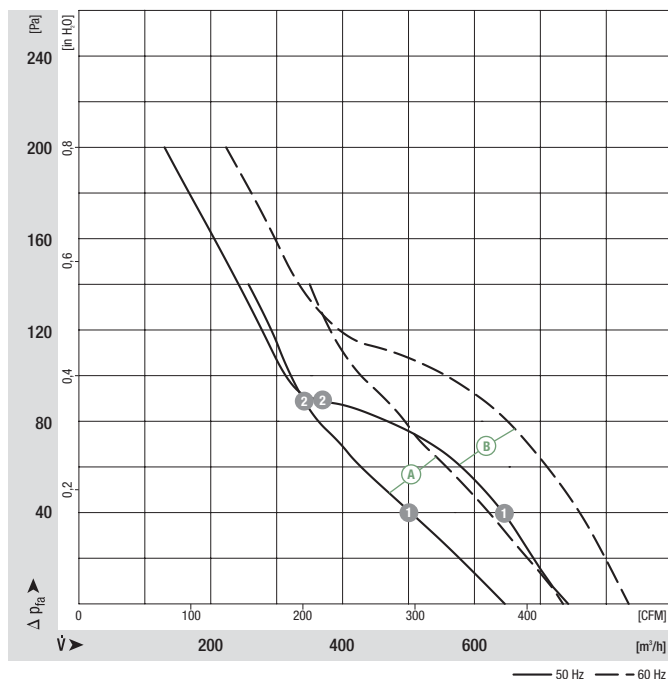
- **Material:** Guard grille: Steel, phosphated and coated in black plastic
Wall ring: Sheet steel, pre-galvanised and coated in black plastic
Blades: Sheet steel, coated in black
Rotor: Coated in black
- **Number of blades:** 5
- **Direction of rotation:** Direction of air flow "V" counter-clockwise, direction of air flow "A" clockwise, seen on rotor
- **Type of protection:** IP 44
- **Insulation class:** "B"
- **Mounting position:** Shaft horizontal or rotor on bottom; rotor on top on request
- **Condensate discharges:** Rotor-side
- **Mode of operation:** Continuous operation (S1)
- **Bearings:** Maintenance-free ball bearings

Nominal data		Curve	Nominal voltage	Frequency	Air flow	Speed/rpm	Power input	Current draw	Capacitor	Sound pressure level	Max. operative range	Perm. amb. temp.	Mass without attachments	Electr. connection
Type	Motor	VAC	Hz	m³/h	rpm	W	A	µF/VDB	dB(A)	Pa	°C	kg	p. 416 f.	
*2D 200 ⁽¹⁾	M2D 068-CF	Ⓐ 3~ 230/400 3~ 230/400	50 60	830 940	2800 3150	53 70	0.26/0.15 0.24/0.14	— —	67 70	140 140	-25 to +75 -25 to +75	1.7	C1)/C2)	
*2E 200	M2E 068-CA	Ⓑ 1~ 230 1~ 230	50 60	740 830	2740 3120	50 61	0.24 0.28	1.5/400 1.5/400	65 69	200 200	-25 to +75 -25 to +75	1.4	A1)	
*4D 200 ⁽¹⁾	M4D 068-CF	Ⓒ 3~ 230/400 3~ 230/400	50 60	390 460	1450 1730	22 21	0.16/0.09 0.12/0.07	— —	51 55	70 100	-25 to +60 -25 to +80	1.5	C1)/C2)	
*4S 200	M4S 068-BF	Ⓓ 1~ 230 1~ 230	50 60	375 445	1380 1630	40 34	0.30 0.24	— —	52 53	60 80	-25 to +50 -25 to +65	1.2	B)	

subject to alterations

(1) 230 VAC Δ / 400 VAC Y

Curves

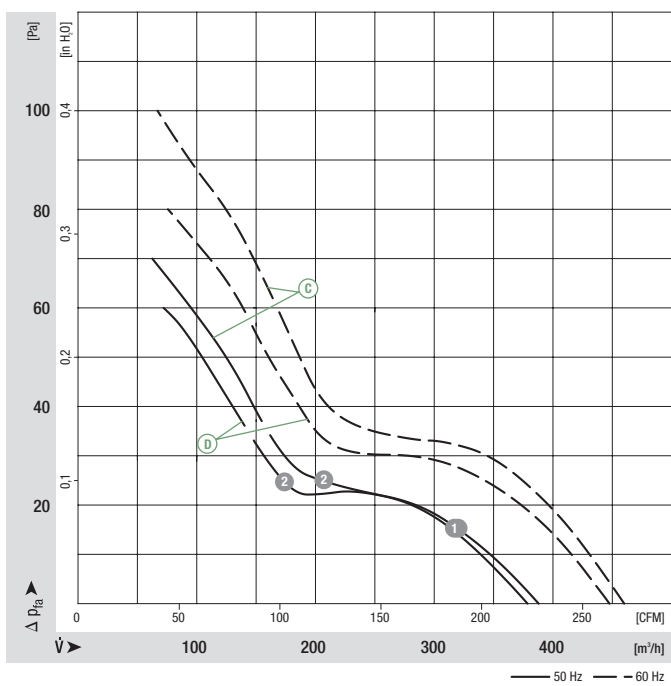


	n [rpm]	P ₁ [W]	I [A]
Ⓐ 1	2785	53	0.15
Ⓐ 2	2770	55	0.15
Ⓑ 1	2670	51	0.24
Ⓑ 2	2670	50	0.24

- **Motor protection:** (A) (C) Without TOP, (B) (D) TOP wired internally
- **Cable exit:** (A) (C) (D) Lateral, (B) variable
- **Protection class:** I
- **Product conforming to standards:** EN 60335-1, (B) (D) also CE
- **Approvals:** (B) CCC

Direction of air flow			
	Without attachments	With full round nozzle	With guard grille for full nozzle
"V" "A"	A2D 200-AA02 -01 A2D 200-AA02 -02	W2D 200-CA02 -01 W2D 200-CA02 -02	S2D 200-BA02 -01 S2D 200-BA02 -02
"V" "A"	A2E 200-AF02 -01 A2E 200-AF02 -02	W2E 200-CF02 -01 W2E 200-CF02 -02	S2E 200-BF02 -01 S2E 200-BF02 -02
"V" "A"	A4D 200-AA04 -01 A4D 200-AA04 -02	W4D 200-CA04 -01 W4D 200-CA04 -02	S4D 200-BA04 -01 S4D 200-BA04 -02
"V" "A"	A4S 200-AA02 -01 A4S 200-AA02 -02	W4S 200-CA02 -01 W4S 200-CA02 -02	S4S 200-BA02 -01 S4S 200-BA02 -02

Curves



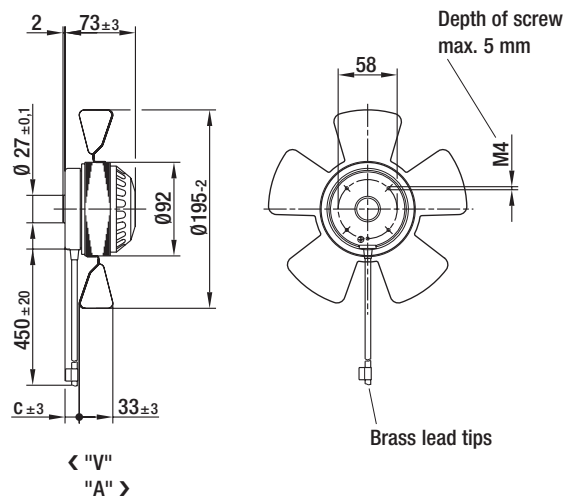
	n [rpm]	P ₁ [W]	I [A]
(C) 1	1460	24	0.09
(C) 2	1460	24	0.09
(D) 1	1375	40	0.30
(D) 2	1380	39	0.29

AC axial fans

A series, Ø 200, drawings of directions of air flow "V" and "A"



Without attachments

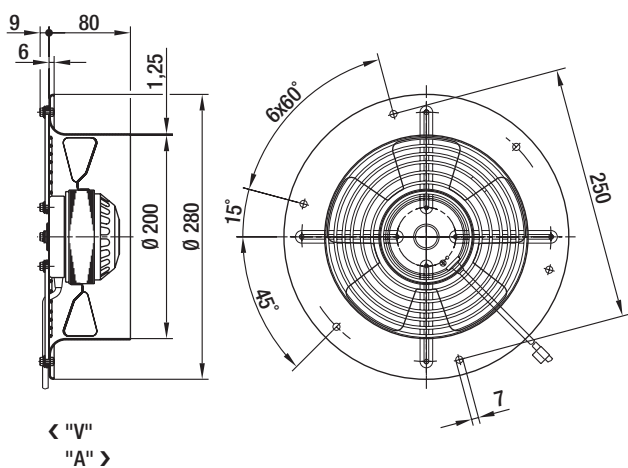


Type

Type		c
A2D 200-AA02 -01	"V"	21.0
A2D 200-AA02 -02	"A"	21.0
A2E 200-AF02 -01	"V"	21.0
A2E 200-AF02 -02	"A"	21.0
A4D 200-AA04 -01	"V"	20.0
A4D 200-AA04 -02	"A"	20.0
A4S 200-AA02 -01	"V"	20.0
A4S 200-AA02 -02	"A"	20.0



With full round nozzle

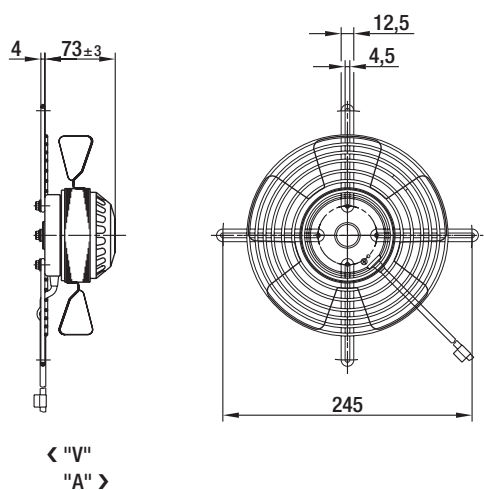


Type

W2D 200-CA02 -01	"V"
W2D 200-CA02 -02	"A"
W2E 200-CF02 -01	"V"
W2E 200-CF02 -02	"A"
W4D 200-CA04 -01	"V"
W4D 200-CA04 -02	"A"
W4S 200-CA02 -01	"V"
W4S 200-CA02 -02	"A"



With guard grille for full nozzle



Type

S2D 200-BA02 -01	"V"
S2D 200-BA02 -02	"A"
S2E 200-BF02 -01	"V"
S2E 200-BF02 -02	"A"
S4D 200-BA04 -01	"V"
S4D 200-BA04 -02	"A"
S4S 200-BA02 -01	"V"
S4S 200-BA02 -02	"A"

AC axial fans

A series, Ø 250



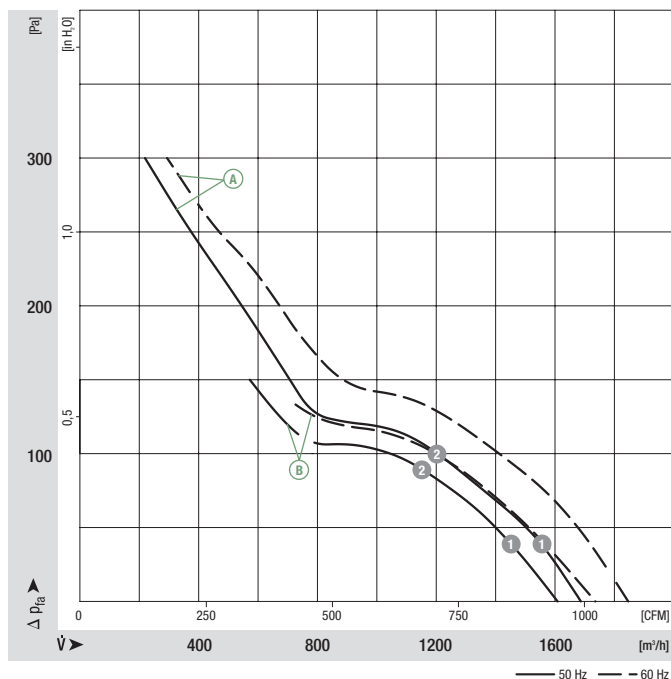
- **Material:** Guard grille: Steel, phosphated and coated in black plastic
Wall ring: Sheet steel, pre-galvanised and coated in black plastic
Blades: Sheet steel, coated in black
Rotor: Coated in black
- **Number of blades:** 5
- **Direction of rotation:** Direction of air flow "V" counter-clockwise, direction of air flow "A" clockwise, seen on rotor
- **Type of protection:** IP 44
- **Insulation class:** "B"
- **Mounting position:** Shaft horizontal or rotor on bottom; rotor on top on request
- **Condensate discharges:** Rotor-side
- **Mode of operation:** Continuous operation (S1)
- **Bearings:** Maintenance-free ball bearings

Nominal data		Curve	Nominal voltage	Frequency	Air flow	Speed/rpm	Power input	Current draw	Capacitor	Sound pressure level	Max. operative range	Perm. amb. temp.	Mass without attachments	Electr. connection
Type	Motor	VAC	Hz	m³/h	rpm	W	A	µF/VDB	dB(A)	Pa	°C	kg	p. 416 f.	
*2D 250 ⁽¹⁾	M2D 068-DF	Ⓐ 3~ 230/400	50	1685	2650	110	0.38/0.22	—	72	300	-25 to +70	2.2	C1)/C2)	
		3~ 230/400	60	1845	2950	160	0.45/0.26	—	75	300	-25 to +40			
*2E 250	M2E 068-DF	Ⓑ 1~ 230	50	1610	2550	115	0.51	4.0/400	72	150	-25 to +55	2.2	A1)	
		1~ 230	60	1740	2750	165	0.74	4.0/400	73	130	-25 to +50			
*4D 250 ⁽¹⁾	M4D 068-CF	Ⓒ 3~ 230/400	50	890	1420	30	0.16/0.09	—	58	90	-25 to +75	1.6	C1)/C2)	
		3~ 230/400	60	1035	1650	35	0.14/0.08	—	62	100	-25 to +75			
*4S 250	M4S 068-CF	Ⓓ 1~ 230	50	870	1400	72	0.53	—	58	80	-25 to +40	1.7	B)	
		1~ 230	60	1000	1620	67	0.46	—	62	100	-25 to +50			

subject to alterations

(1) 230 VAC Δ / 400 VAC Y

Curves



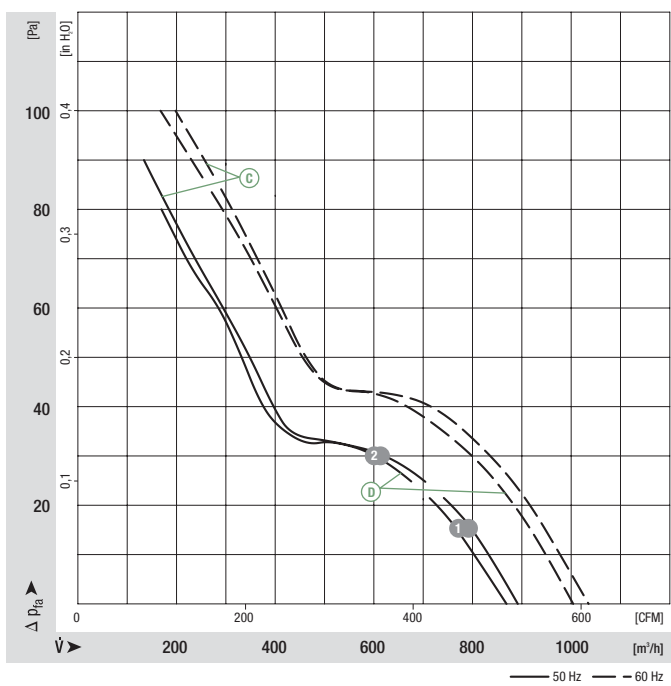
	n [rpm]	P ₁ [W]	I [A]
Ⓐ 1	2645	123	0.23
Ⓐ 2	2615	131	0.24
Ⓑ 1	2520	122	0.54
Ⓑ 2	2480	126	0.55

- **Motor protection:** (A) (C) Without TOP, (B) (D) TOP wired internally
- **Cable exit:** (A) (C) (D) Lateral, (B) variable
- **Protection class:** I
- **Product conforming to standards:** EN 60335-1, (B) (D) also CE
- **Approvals:** (A) (B) CCC

Direction of air flow

	< "V"/"A" > Without attachments	< "V"/"A" > With full round nozzle	< "V"/"A" > With guard grille for full nozzle
"V" "A"	A2D 250-AA02 -01 A2D 250-AA02 -02	W2D 250-CA02 -01 W2D 250-CA02 -02	S2D 250-BA02 -01 S2D 250-BA02 -02
"V" "A"	A2E 250-AE65 -01 A2E 250-AE65 -02	W2E 250-CE65 -01 W2E 250-CE65 -02	S2E 250-BE65 -01 S2E 250-BE65 -02
"V" "A"	A4D 250-AA04 -01 A4D 250-AA04 -02	W4D 250-CA04 -01 W4D 250-CA04 -02	S4D 250-BA04 -01 S4D 250-BA04 -02
"V" "A"	A4S 250-AA02 -01 A4S 250-AA02 -02	W4S 250-CA02 -01 W4S 250-CA02 -02	S4S 250-BA02 -01 S4S 250-BA02 -02

Curves

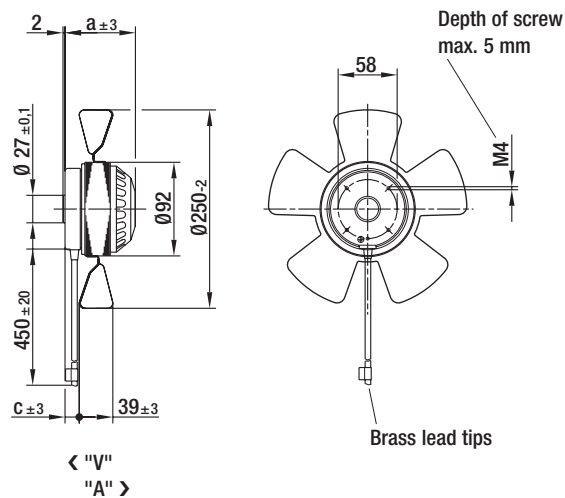


AC axial fans

A series, Ø 250, drawings of directions of air flow "V" and "A"



Without attachments

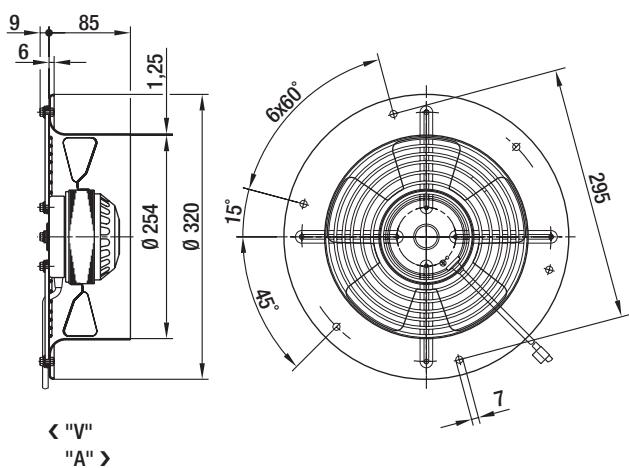


Type

Type		a	c
A2D 250-AA02 -01	"V"	83.0	27.0
A2D 250-AA02 -02	"A"	83.0	27.0
A2E 250-AE65 -01	"V"	83.0	27.0
A2E 250-AE65 -02	"A"	83.0	27.0
A4D 250-AA04 -01	"V"	73.0	19.0
A4D 250-AA04 -02	"A"	73.0	19.0
A4S 250-AA02 -01	"V"	73.0	19.0
A4S 250-AA02 -02	"A"	73.0	19.0



With full round nozzle

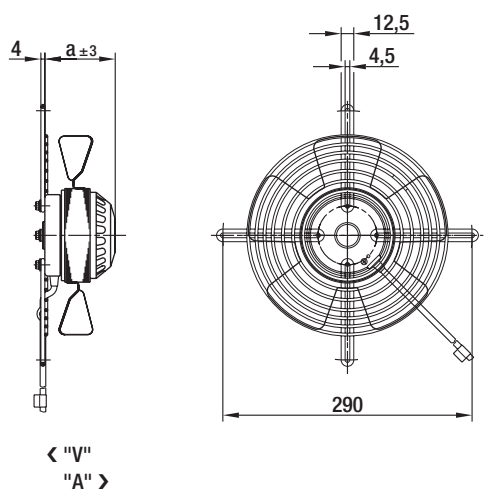


Type

W2D 250-CA02 -01	"V"
W2D 250-CA02 -02	"A"
W2E 250-CE65 -01	"V"
W2E 250-CE65 -02	"A"
W4D 250-CA04 -01	"V"
W4D 250-CA04 -02	"A"
W4S 250-CA02 -01	"V"
W4S 250-CA02 -02	"A"



With guard grille for full nozzle



Type

Type		a
S2D 250-BA02 -01	"V"	83.0
S2D 250-BA02 -02	"A"	83.0
S2E 250-BE65 -01	"V"	83.0
S2E 250-BE65 -02	"A"	83.0
S4D 250-BA04 -01	"V"	73.0
S4D 250-BA04 -02	"A"	73.0
S4S 250-BA02 -01	"V"	73.0
S4S 250-BA02 -02	"A"	73.0

AC axial fans

A series, Ø 300



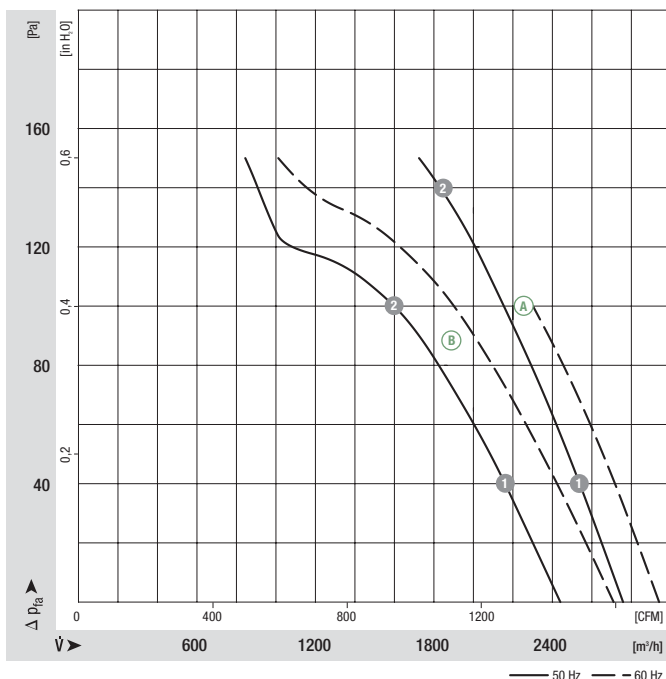
- **Material:** Guard grille: Steel, phosphated and coated in black plastic
Wall ring: Sheet steel, pre-galvanised and coated in black plastic
Blades: Sheet steel, coated in black
Rotor: Coated in black
- **Number of blades:** 5
- **Direction of rotation:** Direction of air flow "V" counter-clockwise, direction of air flow "A" clockwise, seen on rotor
- **Type of protection:** IP 44
- **Insulation class:** "B"
- **Mounting position:** Shaft horizontal or rotor on bottom; rotor on top on request
- **Condensate discharges:** Rotor-side
- **Mode of operation:** Continuous operation (S1)
- **Bearings:** Maintenance-free ball bearings

Nominal data		Curve	Nominal voltage	Frequency	Air flow	Speed/rpm	Power input	Current draw	Capacitor	Sound pressure level	Max. operative range	Perm. amb. temp.	Mass without attachments	Electr. connection
Type	Motor	VAC	Hz	m³/h	rpm	W	A	µF/VDB	dB(A)	Pa	°C	kg	p. 416 f.	
*2D 300 ⁽¹⁾	M2D 068-EC	Ⓐ 3~	230/400	50	2760	2650	180	0.54/0.31	—	76	150	-25 to +60	2.7	C1)/C2)
		3~	230/400	60	2940	2800	270	0.71/0.41	—	77	100	-25 to +40		
*2E 300	M2E 068-EC	Ⓑ 1~	230	50	2440	2650	140	0.62	5.0/400	75	150	-25 to +55	2.5	A1)
		1~	230	60	2700	2900	190	0.83	5.0/400	78	150	-25 to +50		
*4D 300 ⁽¹⁾	M4D 068-DF	Ⓒ 3~	230/400	50	1740	1370	85	0.36/0.21	—	66	100	-25 to +55	2.3	C1)/C2)
		3~	230/400	60	1910	1520	110	0.38/0.22	—	69	110	-25 to +40		
*4E 300	M4E 068-DF	Ⓓ 1~	230	50	1690	1350	95	0.44	3.0/400	65	120	-25 to +45	2.3	A1)
		1~	230	60	1830	1450	105	0.47	2.0/400	66	100	-25 to +40		
*4S 300	M4S 068-DF	Ⓔ 1~	230	50	1440	1380	94	0.67	—	62	75	-25 to +30	2.1	B)
		1~	230	60	1600	1550	94	0.67	—	64	60	-25 to +40		

subject to alterations

(1) 230 VAC Δ / 400 VAC Y

Curves

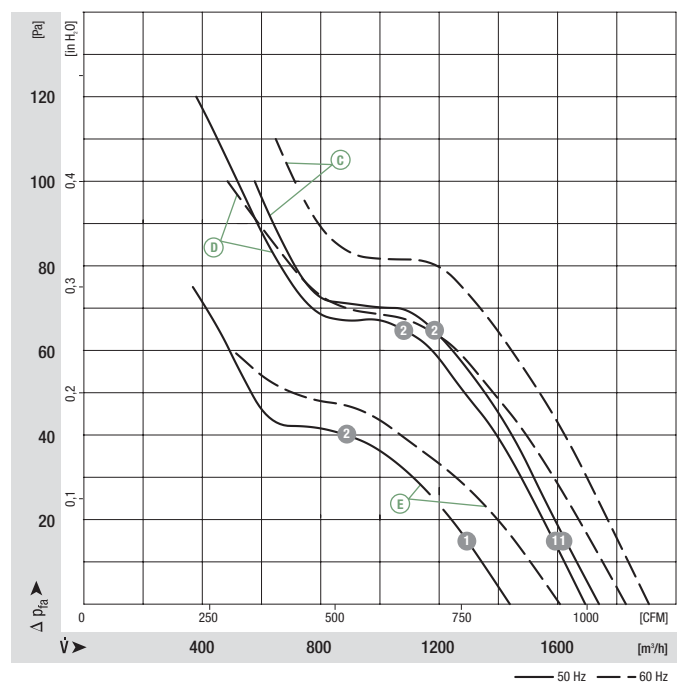


	n [rpm]	P ₁ [W]	I [A]
Ⓐ 1	2610	190	0.32
Ⓐ 2	2535	220	0.35
Ⓑ 1	2600	149	0.66
Ⓑ 2	2530	162	0.71

- **Motor protection:** (A) (C) Without TOP, (B) (D) (E) TOP wired internally
- **Cable exit:** (A) (C) (E) Lateral, (B) (D) variable
- **Protection class:** I
- **Product conforming to standards:** EN 60335-1, (B) (D) (E) also CE
- **Approvals:** (A) (C) CCC, (B) GOST

Direction of air flow			
	Without attachments	With full round nozzle	With guard grille for full nozzle
"V" "A"	A2D 300-AD02 -01 A2D 300-AD02 -02	W2D 300-CD02 -01 W2D 300-CD02 -02	S2D 300-BD02 -01 S2D 300-BD02 -02
"V" "A"	A2E 300-AC47 -01 A2E 300-AC47 -02	W2E 300-CC47 -01 W2E 300-CC47 -02	S2E 300-BC47 -01 S2E 300-BC47 -02
"V" "A"	A4D 300-AA02 -01 A4D 300-AA02 -02	W4D 300-CA02 -01 W4D 300-CA02 -02	S4D 300-BA02 -01 S4D 300-BA02 -02
"V" "A"	A4E 300-AA01 -01 A4E 300-AA01 -02	W4E 300-CA01 -01 W4E 300-CA01 -02	S4E 300-BA01 -01 S4E 300-BA01 -02
"V" "A"	A4S 300-AA02 -01 A4S 300-AA02 -02	W4S 300-CA02 -01 W4S 300-CA02 -02	S4S 300-BA02 -01 S4S 300-BA02 -02

Curves



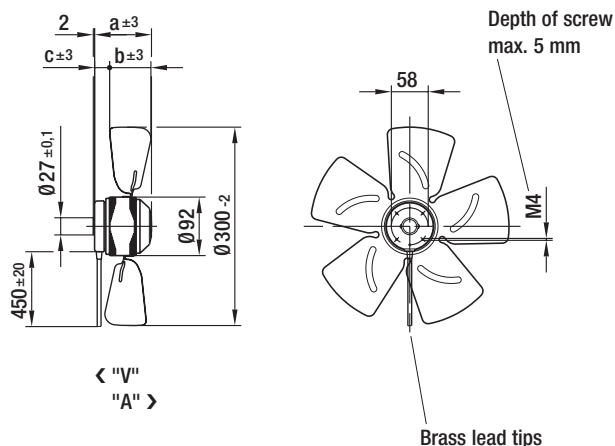
	n [rpm]	P ₁ [W]	I [A]
(C) 1	1360	86	0.21
(C) 2	1345	94	0.22
(D) 1	1345	96	0.43
(D) 2	1315	101	0.45
(E) 1	1375	92	0.67
(E) 2	1360	94	0.67

AC axial fans

A series, Ø 300, drawings of directions of air flow "V" and "A"



Without attachments

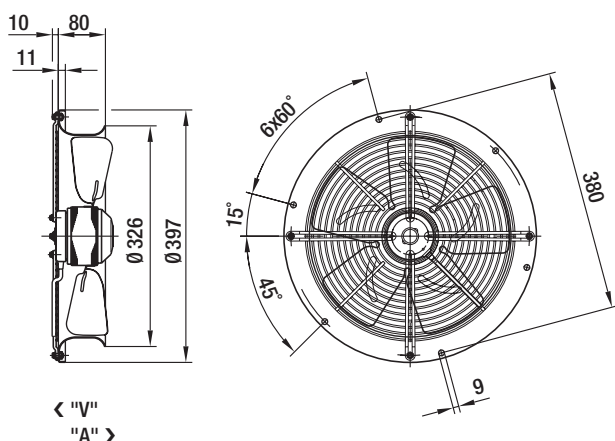


Type

Type		a	b	c
A2D 300-AD02 -01	"V"	101.0	30.0	32.0
A2D 300-AD02 -02	"A"	101.0	30.0	32.0
A2E 300-AC47 -01	"V"	98.0	20.0	30.0
A2E 300-AC47 -02	"A"	98.0	20.0	30.0
A4D 300-AA02 -01	"V"	83.0	56.0	20.0
A4D 300-AA02 -02	"A"	83.0	56.0	20.0
A4E 300-AA01 -01	"V"	83.0	56.0	20.0
A4E 300-AA01 -02	"A"	83.0	56.0	20.0
A4S 300-AA02 -01	"V"	83.0	30.0	20.0
A4S 300-AA02 -02	"A"	83.0	30.0	20.0



With full round nozzle

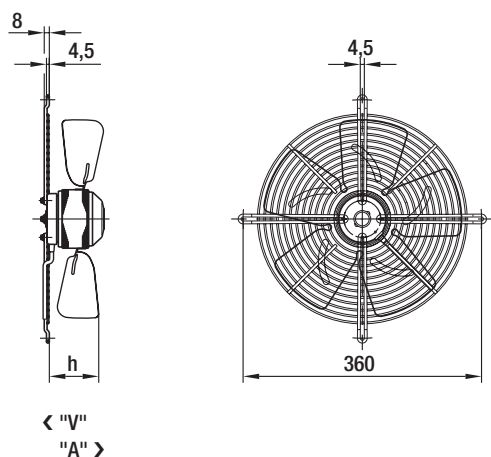


Type

W2D 300-CD02 -01	"V"
W2D 300-CD02 -02	"A"
W2E 300-CC47 -01	"V"
W2E 300-CC47 -02	"A"
W4D 300-CA02 -01	"V"
W4D 300-CA02 -02	"A"
W4E 300-CA01 -01	"V"
W4E 300-CA01 -02	"A"
W4S 300-CA02 -01	"V"
W4S 300-CA02 -02	"A"



With guard grille for full nozzle



Type

Type		h
S2D 300-BD02 -01	"V"	64.0
S2D 300-BD02 -02	"A"	64.0
S2E 300-BC47 -01	"V"	50.0
S2E 300-BC47 -02	"A"	37.0
S4D 300-BA02 -01	"V"	73.0
S4D 300-BA02 -02	"A"	73.0
S4E 300-BA01 -01	"V"	73.0
S4E 300-BA01 -02	"A"	73.0
S4S 300-BA02 -01	"V"	52.0
S4S 300-BA02 -02	"A"	52.0

AC axial fans

A series, Ø 315



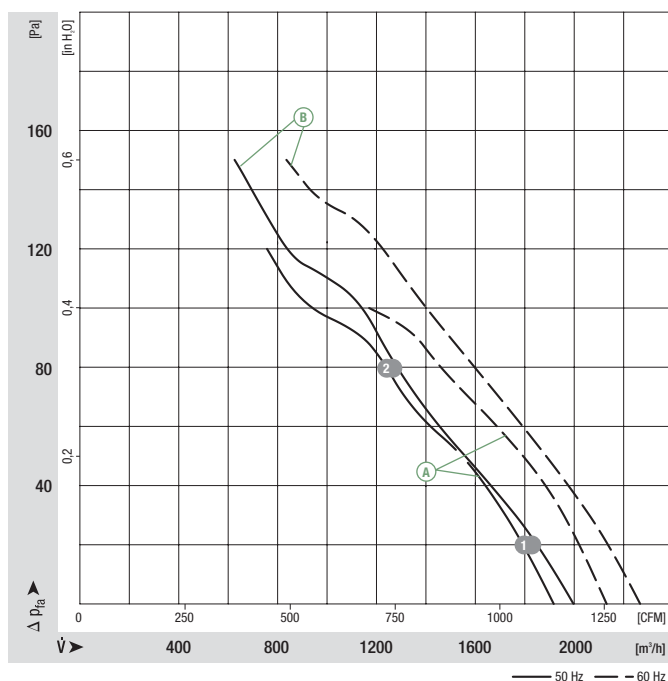
- **Material:** Guard grille: Steel, phosphated and coated in black plastic
Wall ring: Sheet steel, pre-galvanised and coated in black plastic
Blades: Sheet steel, coated in black
Rotor: Coated in black
- **Number of blades:** 5
- **Direction of rotation:** Direction of air flow "V" counter-clockwise, direction of air flow "A" clockwise, seen on rotor
- **Type of protection:** IP 44
- **Insulation class:** "B"
- **Mounting position:** Shaft horizontal or rotor on bottom; rotor on top on request
- **Condensate discharges:** Rotor-side
- **Mode of operation:** Continuous operation (S1)
- **Bearings:** Maintenance-free ball bearings

Nominal data		Curve	Nominal voltage	Frequency	Air flow	Speed/rpm	Power input	Current draw	Capacitor	Sound pressure level	Max. operative range	Perm. amb. temp.	Mass without attachments	Electr. connection
Type	Motor	VAC	Hz	m³/h	rpm	W	A	µF/VDB	dB(A)	Pa	°C	kg	p. 416 f.	
*4D 315 ⁽¹⁾	M4D 068-EC	Ⓐ 3~	230/400	50	1990	1400	78	0.33/0.19	—	65	150	-25 to +80	2.8	C1)/C2)
		3~	230/400	60	2260	1590	115	0.36/0.21	—	68	150	-25 to +60		
*4E 315	M4E 068-EC	Ⓑ 1~	230	50	1950	1400	120	0.53	5.0/400	67	180	-25 to +50	2.8	A1)
		1~	230	60	2230	1610	135	0.60	4.0/400	70	120	-25 to +45		

subject to alterations




(1) 230 VAC Δ / 400 VAC Y

Curves



	n [rpm]	P ₁ [W]	I [A]
Ⓐ 1	1390	82	0.19
Ⓐ 2	1370	95	0.20
Ⓑ 1	1395	123	0.55
Ⓑ 2	1360	136	0.60

- **Motor protection:** Ⓐ Without TOP, Ⓑ TOP wired internally
- **Cable exit:** Lateral
- **Protection class:** I
- **Product conforming to standards:** EN 60335-1, Ⓑ also CE
- **Approvals:** CCC

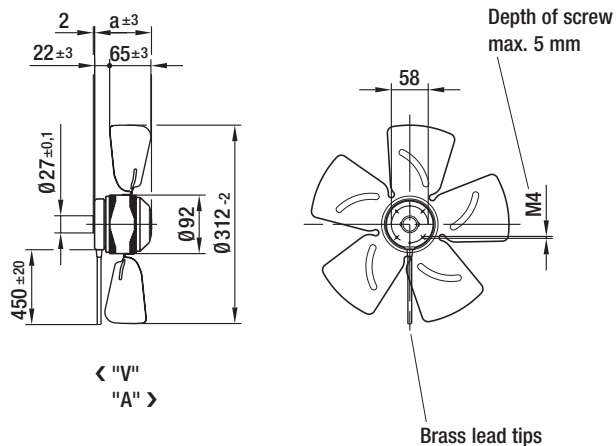
Direction of air flow	 < "V"/"A" >			 < "V"/"A" >			 < "V"/"A" >		
	Without attachments			With full round nozzle			With guard grille for full nozzle		
"V"	A4D 315-AC20 -01	W4D 315-CC20 -01	S4D 315-BC20 -01	A4D 315-AC20 -02	W4D 315-CC20 -02	S4D 315-BC20 -02	A4E 315-AA05 -01	W4E 315-CA05 -01	S4E 315-BA05 -01
"A"	A4D 315-AC20 -02	W4D 315-CC20 -02	S4D 315-BC20 -02	A4E 315-AA05 -01	W4E 315-CA05 -01	S4E 315-BA05 -01	A4D 315-AC20 -01	W4D 315-CC20 -01	S4D 315-BC20 -01
"V"	A4E 315-AA05 -01	W4E 315-CA05 -01	S4E 315-BA05 -01	A4E 315-AA05 -02	W4E 315-CA05 -02	S4E 315-BA05 -02			
"A"	A4E 315-AA05 -02	W4E 315-CA05 -02	S4E 315-BA05 -02						

AC axial fans

A series, Ø 315, drawings of directions of air flow "V" and "A"



Without attachments

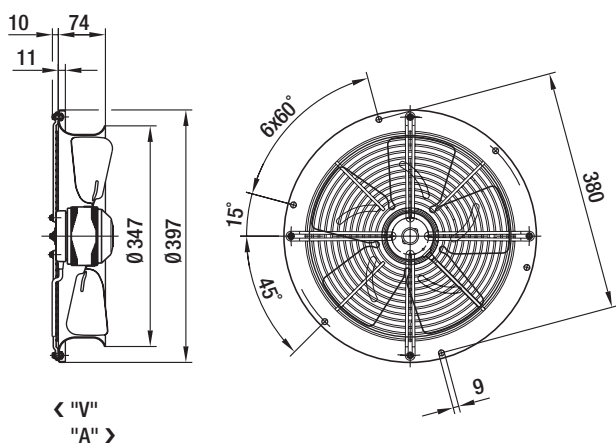


Type

Type		a
A4D 315-AC20 -01	"V"	101.0
A4D 315-AC20 -02	"A"	101.0
A4E 315-AA05 -01	"V"	92.0
A4E 315-AA05 -02	"A"	92.0



With full round nozzle

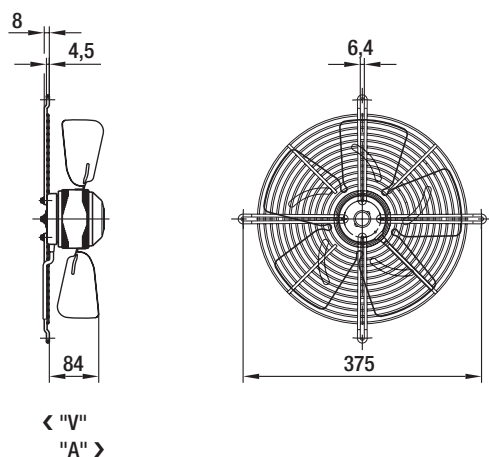


Type

W4D 315-CC20 -01	"V"
W4D 315-CC20 -02	"A"
W4E 315-CA05 -01	"V"
W4E 315-CA05 -02	"A"



With guard grille for full nozzle



Type

S4D 315-BC20 -01	"V"
S4D 315-BC20 -02	"A"
S4E 315-BA05 -01	"V"
S4E 315-BA05 -02	"A"

AC axial fans

A series, Ø 350



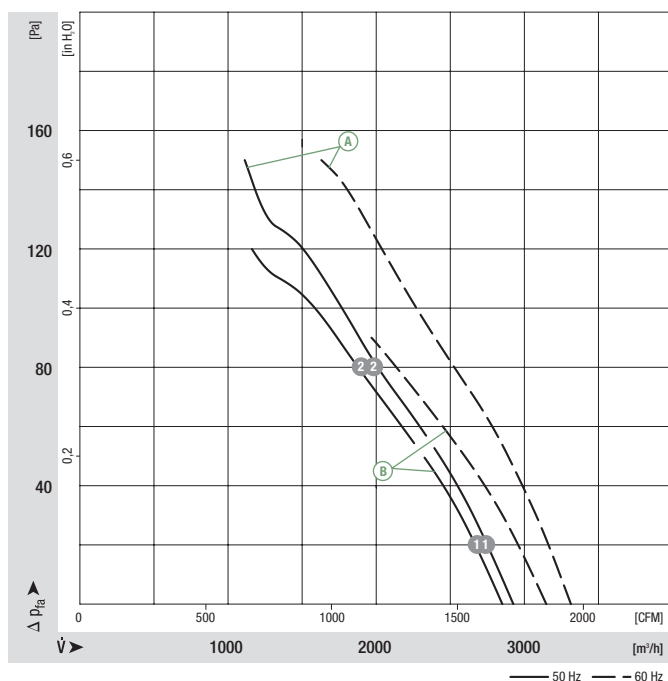
- **Material:** Guard grille: Steel, phosphated and coated in black plastic
Wall ring: Sheet steel, pre-galvanised and coated in black plastic
Blades: Sheet steel, coated in black
Rotor: Coated in black
- **Number of blades:** 5
- **Direction of rotation:** Direction of air flow "V" counter-clockwise, direction of air flow "A" clockwise, seen on rotor
- **Type of protection:** IP 44
- **Insulation class:** "B"
- **Mounting position:** Shaft horizontal or rotor on bottom; rotor on top on request
- **Condensate discharges:** Rotor-side
- **Mode of operation:** Continuous operation (S1)
- **Bearings:** Maintenance-free ball bearings

Nominal data		Curve	Nominal voltage	Frequency	Air flow	Speed/rpm	Power input	Current draw	Capacitor	Sound pressure level	Max. operative range	Perm. amb. temp.	Mass without attachments	Electr. connection
Type	Motor	VAC	Hz	m³/h	rpm	W	A	µF/VDB	dB(A)	Pa	°C	kg	p. 416 f.	
*4D 350 ⁽¹⁾	M4D 068-EC	Ⓐ 3~	230/400	50	2900	1420	145	0.68/0.39	—	69	150	-25 to +45	3.1	C1)/C2)
		3~	230/400	60	3300	1620	190	0.62/0.36	—	72	150	-25 to +40		
*4E 350	M4E 068-EC	Ⓑ 1~	230	50	2850	1390	140	0.62	5.0/400	68	120	-25 to +60	3.1	A1)
		1~	230	60	3190	1550	195	0.86	5.0/400	70	90	-25 to +40		

subject to alterations

(1) 230 VAC Δ / 400 VAC Y

Curves



	n [rpm]	P ₁ [W]	I [A]
Ⓐ 1	1405	154	0.39
Ⓐ 2	1390	169	0.40
Ⓑ 1	1375	147	0.65
Ⓑ 2	1345	161	0.71

- **Motor protection:** Ⓐ Without TOP, Ⓑ TOP wired internally
- **Cable exit:** Lateral
- **Protection class:** I
- **Product conforming to standards:** EN 60335-1, Ⓑ also CE

Direction of air flow



< "V"/"A" >



< "V"/"A" >



< "V"/"A" >

Without attachments

With full round nozzle

With guard grille for full nozzle

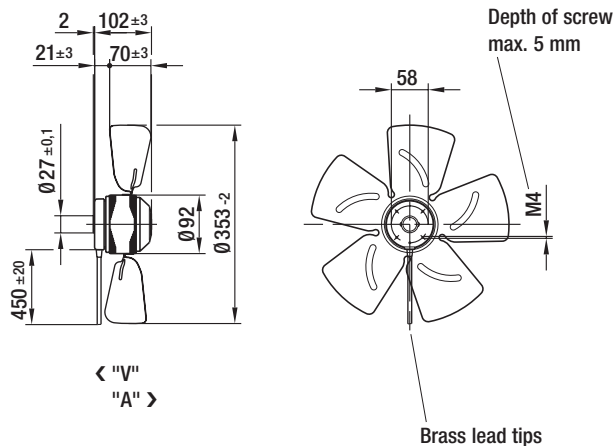
"V"	A4D 350-AA06 -01	W4D 350-CA06 -01	S4D 350-BA06 -01
"A"	A4D 350-AA06 -02	W4D 350-CA06 -02	S4D 350-BA06 -02
"V"	A4E 350-AA06 -01	W4E 350-CA06 -01	S4E 350-BA06 -01
"A"	A4E 350-AA06 -02	W4E 350-CA06 -02	S4E 350-BA06 -02

AC axial fans

A series, Ø 350, drawings of directions of air flow "V" and "A"



Without attachments

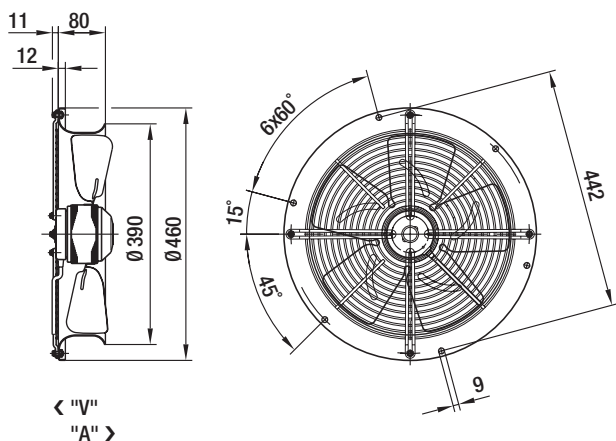


Type

A4D 350-AA06 -01	"V"
A4D 350-AA06 -02	"A"
A4E 350-AA06 -01	"V"
A4E 350-AA06 -02	"A"



With full round nozzle

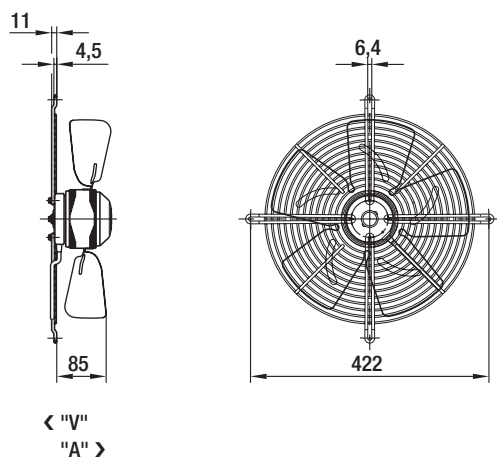


Type

W4D 350-CA06 -01	"V"
W4D 350-CA06 -02	"A"
W4E 350-CA06 -01	"V"
W4E 350-CA06 -02	"A"



With guard grille for full nozzle



Type

S4D 350-BA06 -01	"V"
S4D 350-BA06 -02	"A"
S4E 350-BA06 -01	"V"
S4E 350-BA06 -02	"A"



Mouser Electronics

Authorized Distributor

Click to View Pricing, Inventory, Delivery & Lifecycle Information:

[ebm-papst:](#)

[S2D300-BD02-01](#)



Компания «ЭлектроПласт» предлагает заключение долгосрочных отношений при поставках импортных электронных компонентов на взаимовыгодных условиях!

Наши преимущества:

- Оперативные поставки широкого спектра электронных компонентов отечественного и импортного производства напрямую от производителей и с крупнейших мировых складов;
- Поставка более 17-ти миллионов наименований электронных компонентов;
- Поставка сложных, дефицитных, либо снятых с производства позиций;
- Оперативные сроки поставки под заказ (от 5 рабочих дней);
- Экспресс доставка в любую точку России;
- Техническая поддержка проекта, помощь в подборе аналогов, поставка прототипов;
- Система менеджмента качества сертифицирована по Международному стандарту ISO 9001;
- Лицензия ФСБ на осуществление работ с использованием сведений, составляющих государственную тайну;
- Поставка специализированных компонентов (Xilinx, Altera, Analog Devices, Intersil, Interpoint, Microsemi, Aeroflex, Peregrine, Syfer, Eurofarad, Texas Instrument, Miteq, Cobham, E2V, MA-COM, Hittite, Mini-Circuits, General Dynamics и др.);

Помимо этого, одним из направлений компании «ЭлектроПласт» является направление «Источники питания». Мы предлагаем Вам помощь Конструкторского отдела:

- Подбор оптимального решения, техническое обоснование при выборе компонента;
- Подбор аналогов;
- Консультации по применению компонента;
- Поставка образцов и прототипов;
- Техническая поддержка проекта;
- Защита от снятия компонента с производства.



Как с нами связаться

Телефон: 8 (812) 309 58 32 (многоканальный)

Факс: 8 (812) 320-02-42

Электронная почта: org@eplast1.ru

Адрес: 198099, г. Санкт-Петербург, ул. Калинина, дом 2, корпус 4, литера А.