



MSP100

Pressure Transducer

SPECIFICATIONS

- ◆ Analog and 14-Bit Digital Output
- ◆ Small Size
- ◆ Low Cost
- ◆ 316L Stainless Steel or 17-4PH

The MSP100 pressure transducer provides stainless steel media compatibility in a low cost, small profile solution. This sensor has no silicone gel or polymeric media isolation methods to fail in contact with water or other harsh chemicals. Pressure connections are provided via an O-ring seal. The device is available in both analog and 14-bit digital output with a port material of either 316L SS or 17-4PH. Additional custom port options available to meet your application needs. The small size vs. performance and media compatibility are provided through solid-state technology.

FEATURES

- ◆ Single Piece Construction; No Welds, No Oil
- ◆ 100% Stainless Steel Isolation for Harsh Chemical Measurement
- ◆ Low Cost
- ◆ 14-Bit Digital Output or Analog

APPLICATIONS

- ◆ Beverage Dispensing Systems
- ◆ Water Pressure or Flow Monitor
- ◆ Medical Equipment
- ◆ Industrial Equipment/Hydraulics
- ◆ Tank Level Measurement
- ◆ Manifold Pressure

STANDARD RANGES

Range	psig
0 to 100	+
0 to 150	+
0 to 250	+
0 to 500	+

PERFORMANCE SPECIFICATIONS (ANALOG, OUTPUT SIGNAL “2”)

Ambient Temperature: 25°C (unless otherwise specified)

PARAMETERS	MIN	TYP	MAX	UNITS	NOTES
Supply Voltage	4.75	5.00	5.25	V _{DC}	
Zero Offset	-2		2	mV	Ratiometric
Span	98	100	102	mV	Ratiometric
Current Consumption			2	mA	
Proof Pressure	1.5X			Rated	
Burst Pressure	3X			Rated	
Endurance	1E+6			0~FS Cycles	
Accuracy	-0.5	±0.2	0.5	%Span	RSS of BFSL: Linearity, Hysteresis, Repeatability
Long Term Stability		0.25		%Span	
Minimum Resistance between Transducer and Body	50			MΩ	@25V _{DC}
Thermal Zero Shift	-2.0		2.0	%Span	Reference to 25°C over Compensated Temperature
Thermal Span Shift	-2.0		2.0	%Span	Reference to 25°C over Compensated Temperature
Compensation Temperature	0		45	°C	
Operating Temperature	0		55	°C	
Response Time (10% to 90%)		0.1		ms	
Vibration	±20g MIL-STD-810C, Procedure 514.2, Figure 514.2-2, Curve L				
Shock	50g, 11 msec half sine shock per mil standard 202F. Method 213B, Condition A				

PERFORMANCE SPECIFICATIONS (DIGITAL, OUTPUT SIGNAL “J” OR “S”)

Ambient Temperature: 25°C (unless otherwise specified)

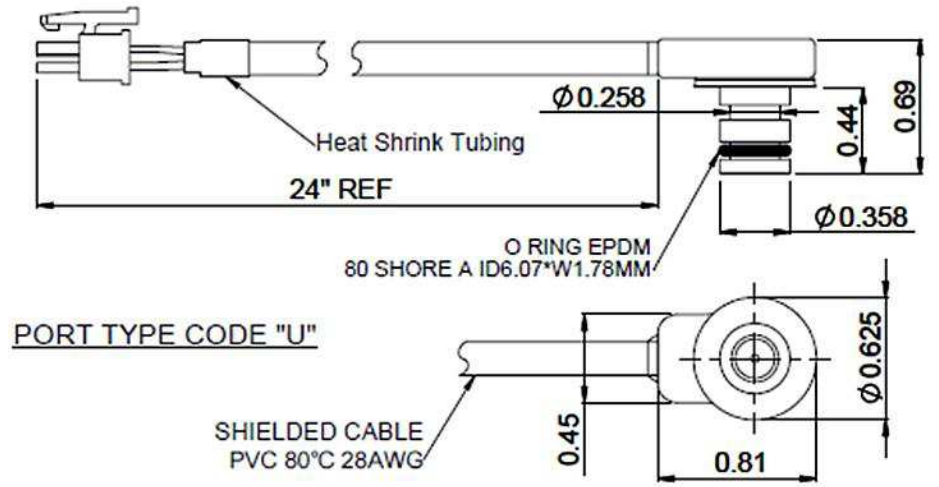
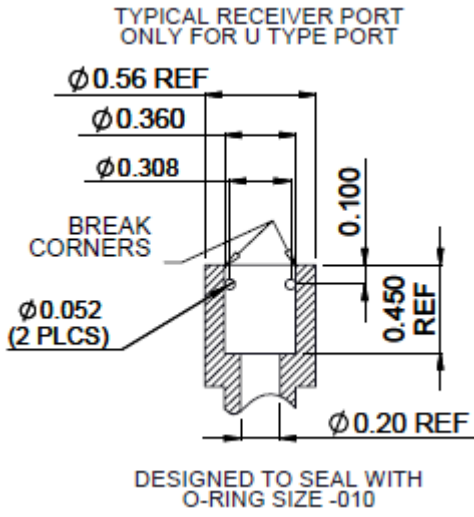
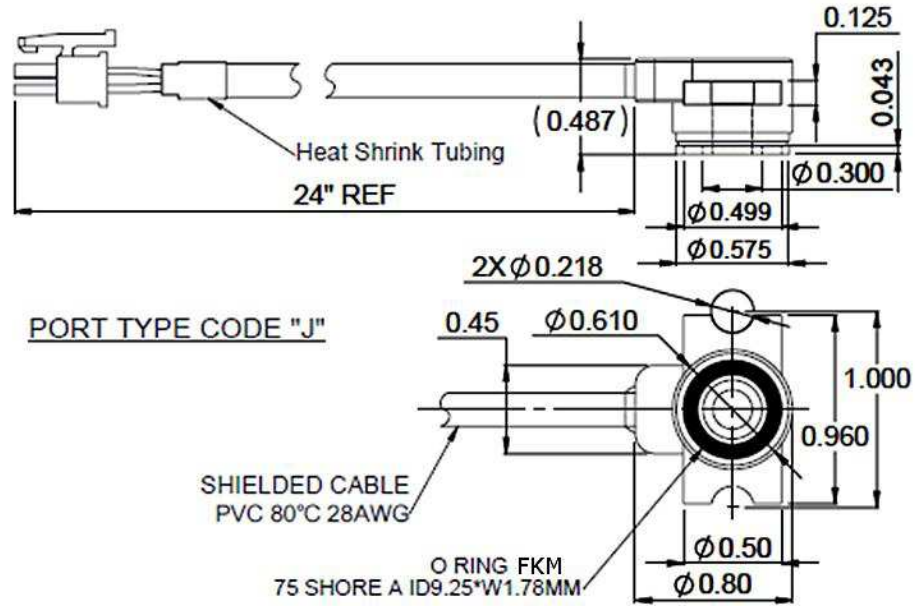
PARAMETERS	MIN	TYP	MAX	UNITS	NOTES
Supply Voltage	2.7	3.0	5.0	V _{DC}	
Output at Zero Pressure	720	1000	1280	Count	
Output at FS Pressure	14,720	15,000	15,280	Count	
Current Consumption			3	mA	
Proof Pressure	1.5X			Rated	
Burst Pressure	3X			Rated	
Endurance	1E+6			0~FS Cycles	
Accuracy	-0.5		0.5	%Span	RSS of BFSL: Linearity, Hysteresis, Repeatability
A/D Resolution		14		Bit	
Operating Temperature	0		55	°C	
Temperature Accuracy	-3		3	°C	1*
Thermal Zero Shift	-2.0		2.0	%F.S.	Reference to 25°C over Compensated Temperature
Thermal Span Shift	-2.0		2.0	%F.S.	Reference to 25°C over Compensated Temperature
Compensated Temperature	0		45	°C	
Response Time (10% to 90%)			3	ms @ 4MHz	Without Sleep Mode
Response Time (10% to 90%)			8.4	ms @ 4MHz	With Sleep Mode
Vibration	±20g MIL-STD-810C, Procedure 514.2, Figure 514.2-2, Curve L				
Shock	50g, 11 msec half sine shock per mil standard 202F. Method 213B, Condition A				

Notes:

1* Reflect pressure port diaphragm temperature over the compensated temperature range

2* Response time is from power on to reading measurement data.

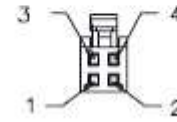
DIMENSIONS



WIRING**Analog mV Output Wiring**

Connection	PIN 1	PIN 2	PIN 3	PIN 4
Molex 4pin Connector PCB Mount	+SUPPLY	+OUTPUT	-OUTPUT	-SUPPLY

4 PINS MOLEX CONNECTOR
HOUSING:MOLEX 430-25-040
PIN:MOLEX 430-30-004

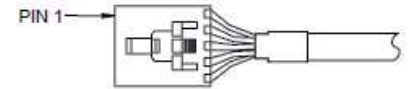
**Digital I²C Output Wiring**

Connection	PIN 1	PIN 2	PIN 3	PIN 4
Molex 4pin Connector PCB Mount	VDD	GND	SDA	SCL

Digital SPI Output Wiring

Connection	PIN 1	PIN 2	PIN 3	PIN 4	PIN5
Molex 5pin Connector PCB Mount	VDD	GND	MISO	SCLK	SS

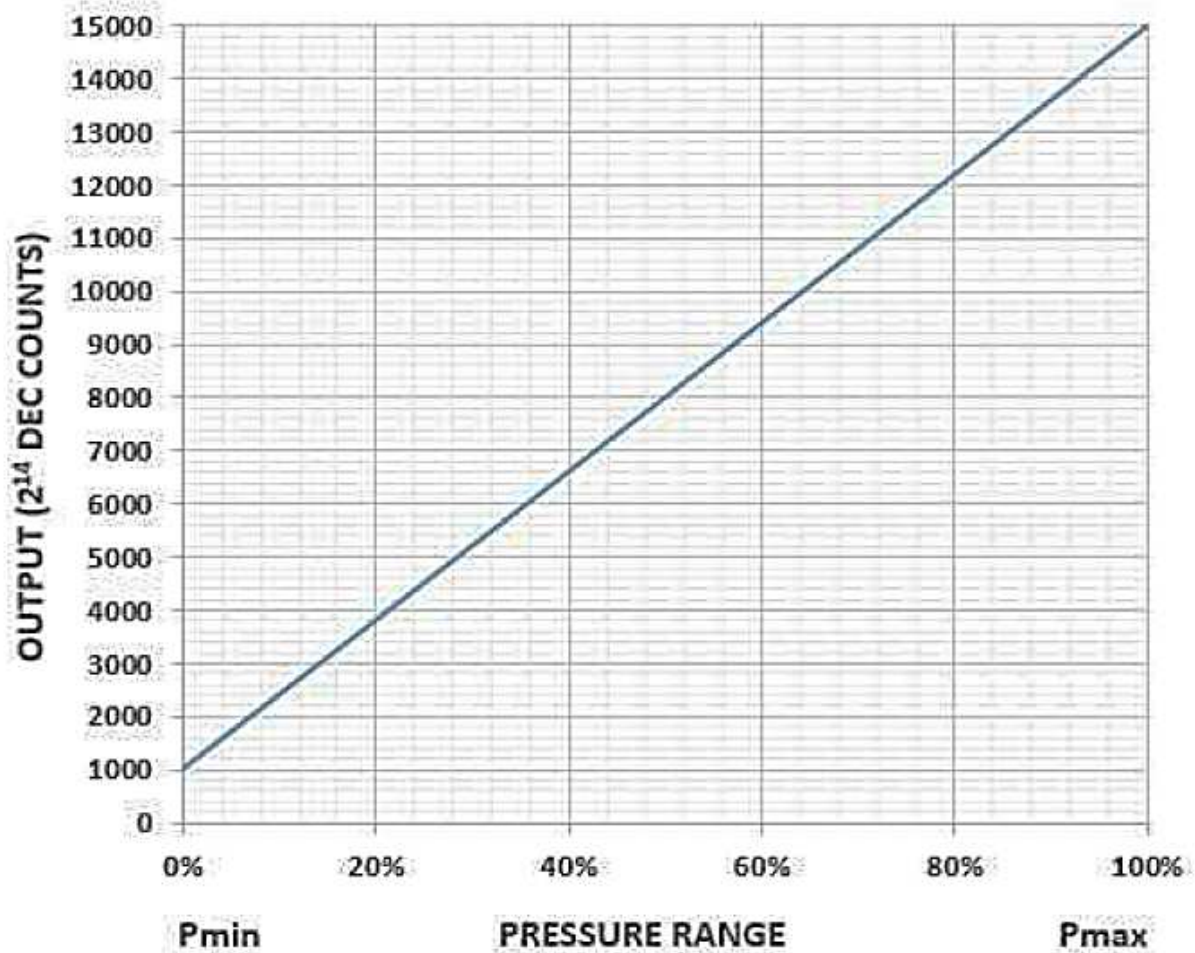
5 PINS MOLEX CONNECTOR
HOUSING:MOLEX 50-57-9405
PIN:MOLEX 16-02-0082



SENSOR OUTPUT

SENSOR OUTPUT AT SIGNIFICANT PERCENTAGES

% OUTPUT	DIGITAL COUNTS (DECIMAL)	DIGITAL COUNTS (HEX)
0%	1000	0 × 3E8
5%	1700	0 × 6A4
10%	2400	0 × 960
50%	8000	0 × 1F40
90%	13600	0 × 3520
95%	14300	0 × 37DC
100%	15000	0 × 3A98

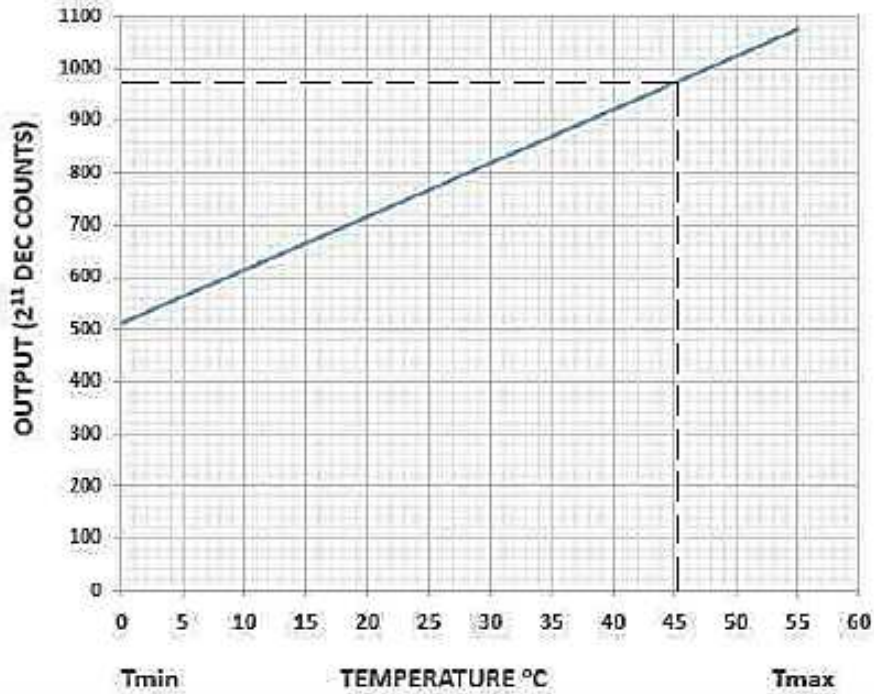


$$\text{OUTPUT (DECIMAL COUNTS)} = \frac{15000-1000}{P_{\text{max}} - P_{\text{min}}} \times (P_{\text{applied}} - P_{\text{min}}) + 1000$$

TEMPERATURE OUTPUT

TEMPERATURE OUTPUT

OUTPUT °C	DIGITAL COUNTS (DECIMAL)	DIGITAL COUNTS (HEX)
0	512	0 × 200
10	614	0 × 266
25	767	0 × 2FF
40	921	0 × 399
55	1075	0 × 433



$$\text{OUTPUT (DECIMAL COUNTS)} = \frac{(\text{OUTPUT}^\circ\text{C} + 50^\circ\text{C}) \times 2048}{150^\circ\text{C} - (-50^\circ\text{C})}$$

OUTPUT SIGNAL

Code	Output Signal	Supply Voltage (V)
2	0 – 100mV	5 ± 0.25
J	I ² C	2.7 – 5.0
S	SPI	2.7 – 5.0

MSP100

Pressure Transducer

ORDERING INFORMATION

MS1 S 1 - 1 0 0 0 0 J- 100P G

Output		
Code	Type	Supply Voltage
2	0 - 100mV	5±0.25V
J*	I ² C	2.7 - 5.0V
S*	SPI	2.7 - 5.0V

*Digital Output

Cable/Connector	
Code	Connection Type
1	Cable, 2 feet with Molex Connector

Port Material	
Code	Material
0	316L Stainless Steel
1	17-4PH Stainless Steel

Cleaning	
Code	Cleaning Method
0	No Selection
1	Oxygen Clean B40.1 Level IV

Sleep (Digital Only)	
Code	Mode
0	Non-Sleep Mode
1	Sleep mode

Pressure Type	
Code	Type
G	Gauge

Pressure Ranges	
Code	psi
100P	100
150P	150
250P	250
500P	500

Port Type Selection	
Code	Port Type
J	O-ring Face Seal
U	O-ring Radial Seal

I ² C Address (Digital Only)	
Code	Address
0	0x28H
1	0x36H
2	0x46H
3	0x48H
4	0x51H

SPI Default Code "0"

NORTH AMERICA

Measurement Specialties, Inc.,
a TE Connectivity Company
Phone: 800-522-6752
Email: customercare.frmr@te.com

EUROPE

Measurement Specialties (Europe), Ltd.,
a TE Connectivity Company
Phone: +31-73-624-6999
Email: customercare.lcsb@te.com

ASIA

Measurement Specialties (China), Ltd.,
a TE Connectivity Company
Phone: 0400-820-6015
Email: customercare.shzn@te.com

TE.com/sensorsolutions

Measurement Specialties, Inc., a TE Connectivity company.

Measurement Specialties, TE Connectivity, TE Connectivity (logo) and EVERY CONNECTION COUNTS are trademarks. All other logos, products and/or company names referred to herein might be trademarks of their respective owners.

The information given herein, including drawings, illustrations and schematics which are intended for illustration purposes only, is believed to be reliable. However, TE Connectivity makes no warranties as to its accuracy or completeness and disclaims any liability in connection with its use. TE Connectivity's obligations shall only be as set forth in TE Connectivity's Standard Terms and Conditions of Sale for this product and in no case will TE Connectivity be liable for any incidental, indirect or consequential damages arising out of the sale, resale, use or misuse of the product. Users of TE Connectivity products should make their own evaluation to determine the suitability of each such product for the specific application.

© 2015 TE Connectivity Ltd. family of companies All Rights Reserved.



Компания «ЭлектроПласт» предлагает заключение долгосрочных отношений при поставках импортных электронных компонентов на взаимовыгодных условиях!

Наши преимущества:

- Оперативные поставки широкого спектра электронных компонентов отечественного и импортного производства напрямую от производителей и с крупнейших мировых складов;
- Поставка более 17-ти миллионов наименований электронных компонентов;
- Поставка сложных, дефицитных, либо снятых с производства позиций;
- Оперативные сроки поставки под заказ (от 5 рабочих дней);
- Экспресс доставка в любую точку России;
- Техническая поддержка проекта, помощь в подборе аналогов, поставка прототипов;
- Система менеджмента качества сертифицирована по Международному стандарту ISO 9001;
- Лицензия ФСБ на осуществление работ с использованием сведений, составляющих государственную тайну;
- Поставка специализированных компонентов (Xilinx, Altera, Analog Devices, Intersil, Interpoint, Microsemi, Aeroflex, Peregrine, Syfer, Eurofarad, Texas Instrument, Miteq, Cobham, E2V, MA-COM, Hittite, Mini-Circuits, General Dynamics и др.);

Помимо этого, одним из направлений компании «ЭлектроПласт» является направление «Источники питания». Мы предлагаем Вам помощь Конструкторского отдела:

- Подбор оптимального решения, техническое обоснование при выборе компонента;
- Подбор аналогов;
- Консультации по применению компонента;
- Поставка образцов и прототипов;
- Техническая поддержка проекта;
- Защита от снятия компонента с производства.



Как с нами связаться

Телефон: 8 (812) 309 58 32 (многоканальный)

Факс: 8 (812) 320-02-42

Электронная почта: org@eplast1.ru

Адрес: 198099, г. Санкт-Петербург, ул. Калинина, дом 2, корпус 4, литера А.