

# VARIOSUB D-SUB 25

## Contact Inserts, Sleeve Housings

---

### Introduction

VARIOSUB is a range of plug connectors specially designed for signal and data technology in an industrial environment with high degrees of protection, temperatures and mechanical stress. The range is characterized by the simple Push-Pull locking mechanism, use of conventional D-SUB contact inserts, IP 67 protection and EMC protection.

The VARIOSUB housings offer the space and time-saving Push-Pull locking, which snaps in with a noticeable click. Two integrated lamellar cable screw connections for cable diameters of 5 - 13 mm provide high cable strain relief.

When locked, the housings fulfill the requirements of IP 67 protection, and require only little operating force thanks to a special profile gasket.

Red snap-in profiles offer up to 16 coding possibilities to avoid incorrect plugging. Marker labeling is also provided for. An internal metal sleeve and shroud on the panel mounting base provide optional EMC protection. Simple logistics due to the small number of individual components and high functionality of the housings help to save costs and increase availability. Mounting flanges on the panel mounting base accept the contact inserts. This allows internal and external wall mounting of the contact inserts.

The male and female inserts in D-SUB 25 format enable 25 data lines up to  $0.35 \text{ mm}^2$  conductor cross section or 15 lines with  $0.5 \text{ mm}^2$  conductor cross section to be connected. The connection points are clearly numbered. This facilitates any start-up under field conditions.

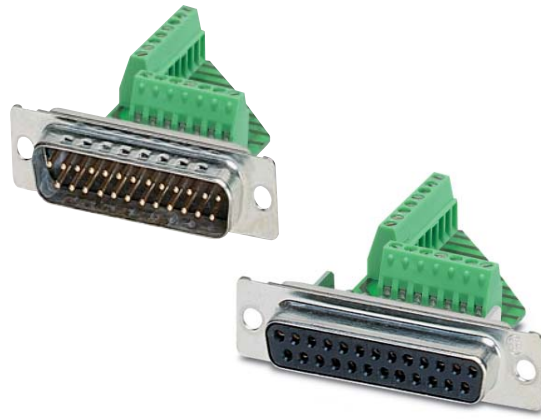
Industrial connectors are available for the sleeve and mounting side. They are made with screw connection, for soldering onto printed circuit boards, with a flat-ribbon cable connection and for crimp contacts. For currents up to 40 A or in combination with signal lines, two versions are available as male and female connectors. The use of these plug connectors saves space on the inside of the device. The contacts are equipped with U-grooves for manual solder connection and cover the maximum possible cross section range.



# VARIOSUB D-SUB 25

## Contact Inserts

### Screw Connection



Description	Type	Order No.	Pcs./Pkt.
<b>Male contact inserts,</b> with PCB and 25 x MPT 0,5 screw connections	VS-25-ST-DSUB/25-MPT-0,5	16 89 78 9	10
<b>Female contact inserts,</b> with PCB and 25 x MPT 0,5 screw connections	VS-25-BU-DSUB/25-MPT-0,5	16 89 77 6	10
<b>Technical data</b>			
<b>Mechanical data</b>			
Insertion force per signal contact	[N]	≤ 3.3	
Extraction force per signal contact	[N]	≤ 2.2	
Insertion/withdrawal cycles		≥ 200	
<b>Material and surfaces</b>			
Insulating body		PBTP	
Contact material		Cu alloy	
Contact surface		Ni/Au	
<b>Electrical data</b>			
Max. amperage	[A]	1	
Operating voltage	[V]	63	
Contact resistance per contact pair	[mΩ]	≤ 2.5	
Insulation resistance	[MΩ]	≥ 5000	
<b>Thermal and climatic data</b>			
Temperature range	[°C]	- 20 to + 70	

# VARIOSUB D-SUB 25

## Contact Inserts

### Solder Connection



Description	Type	Order No.	Pcs./Pkt.
<b>Male contact inserts,</b> solder connection, 25-pos., with straight solder pins, with hole	VS-25-ST-DSUB-EG	16 89 89 9	10
<b>Female contact inserts,</b> solder connection, 25-pos., with straight solder pins, with hole	VS-25-BU-DSUB-EG	16 89 90 9	10
<b>Male contact inserts,</b> solder connection, 25-pos., with angled solder pins, with thread	VS-25-ST-DSUB-ER	16 89 87 3	10
<b>Female contact inserts,</b> solder connection, 25-pos., with angled solder pins, with thread	VS-25-BU-DSUB-ER	16 89 88 6	10
<b>Technical data</b>			
<b>Mechanical data</b>			
Insertion force per signal contact	[N]	≤ 3.3	
Extraction force per signal contact	[N]	≤ 2.2	
Insertion/withdrawal cycles		≥ 200	
<b>Material and surfaces</b>			
Insulating body		PBTP	
Contact material		Cu alloy	
Contact surface		Ni/Au	
<b>Electrical data</b>			
Max. amperage	[A]	1	
Operating voltage	[V]	63	
Contact resistance per contact pair	[mΩ]	≤ 2.5	
Insulation resistance	[MΩ]	≥ 5000	
<b>Thermal and climatic data</b>			
Temperature range	[°C]	- 55 to + 125	

# VARIOSUB D-SUB 25

## Contact Inserts

### Flat-Ribbon Cable Connection



Description	Type	Order No.	Pcs./Pkt.
<b>Male contact inserts,</b> flat-ribbon cable connection, 25-pos., with holes	VS-25-ST-DSUB-FK	16 89 91 2	10
<b>Female contact inserts,</b> flat-ribbon cable connection, 25-pos., with holes	VS-25-BU-DSUB-FK	16 89 92 5	10
<b>Technical data</b>			
<b>Mechanical data</b>			
Insertion force per signal contact	[N]	≤ 3.3	
Extraction force per signal contact	[N]	≤ 2.2	
Insertion/withdrawal cycles		≥ 200	
<b>Material and surfaces</b>			
Insulating body		PBTP	
Contact material		Cu alloy	
Contact surface		Ni/Au	
<b>Electrical data</b>			
Max. amperage	[A]	1	
Operating voltage	[V]	63	
Contact resistance per contact pair	[mΩ]	≤ 2.5	
Insulation resistance	[MΩ]	≥ 5000	
<b>Thermal and climatic data</b>			
Temperature range	[°C]	- 55 to + 125	

# VARIOSUB D-SUB 25

## Contact Inserts

### Crimp Connection



Description	Type	Order No.	Pcs./Pkt.
<b>Male contact carrier,</b> crimp contact carriers, 25-pos., with thread	VS-25-ST-DSUB-CD-G	16 89 93 8	10
<b>Female contact carrier,</b> crimp contact carriers, 25-pos., with thread	VS-25-BU-DSUB-CD-G	16 89 94 1	10
<b>Male contact carrier,</b> crimp contact carriers, 25-pos., with holes	VS-25-ST-DSUB-CD-B	16 89 95 4	10
<b>Female contact carrier,</b> crimp contact carriers, 25-pos., with holes	VS-25-BU-DSUB-CD-B	16 89 96 7	10
<b>Accessories</b>			
<b>Turned male crimp contacts,</b> surface gold-plated	AWG 24-20 VS-ST-CD-1,0/14,8/0,5	16 88 96 8	30
	AWG 28-24 VS-ST-CD-1,0/14,8/0,2	16 88 97 1	
<b>Turned female crimp contacts,</b> surface gold-plated	AWG 24-20 VS-BU-CD-1,0/14,4/0,5	16 88 98 4	30
	AWG 28-24 VS-BU-CD-1,0/14,4/0,2	16 88 99 7	
<b>Technical data</b>			
<b>Mechanical data</b>			
Insertion force per signal contact	[N]	≤ 3.3	
Extraction force per signal contact	[N]	≤ 2.2	
Insertion/withdrawal cycles		≥ 200	
<b>Electrical data</b>			
Max. amperage	[A]	1	
Operating voltage	[V]	63	
Insulation resistance	[MΩ]	≥ 5000	
<b>Thermal and climatic data</b>			
Temperature range	[°C]	- 55 to + 125	

# VARIOSUB D-SUB 25

## Contact Inserts with High Current Contacts Solder Connection



Description	Type	Order No.	Pcs./Pkt.
<b>Male contact carrier,</b> for power contacts, 5-pos.	VS-25-ST-DSUB-5P	16 89 97 0	10
<b>Female contact carrier,</b> for power contacts, 5-pos.	VS-25-BU-DSUB-5P	16 89 98 3	10
<b>Accessories</b>			
<b>Male power contact for 20 A,</b> with U-groove solder connection	VS-ST-LK-3,6/22,4/2,6	16 88 24 3	30
<b>Female power contact for 20 A,</b> with U-groove solder connection	VS-BU-LK-3,6/22,8/2,6	16 88 25 6	30
<b>Male power contact for 40 A,</b> with U-groove solder connection	VS-ST-LK-3,6/22,4/4,6	16 88 26 9	30
<b>Female power contact for 40 A,</b> with U-groove solder connection	VS-BU-LK-3,6/22,8/4,6	16 88 27 2	30
<b>Technical data</b>			
<b>Mechanical data</b>			
Insertion/withdrawal cycles		≥ 500	
<b>Material and surfaces</b>			
Insulating body		PBTP GV (UL 94 V0)	
Housing		Steel	
Housing surface		Tin-plated	
Contact material		Cu alloy	
Contact surface		0.8 µm gold over nickel	
<b>Electrical data</b>			
Max. amperage, power contacts	[A]	20 or 40	
Operating voltage	[V]	125	
Contact resistance per contact pair	[mΩ]	≤ 2.5	
Insulation resistance	[MΩ]	≥ 5000	
Specific contact resistance	[Ωcm]	10 <sup>16</sup>	
Specific internal insulation resistance	[KV/mm]	50	
<b>Thermal and climatic data</b>			
Temperature range	[°C]	- 20 to + 80	

**Note:**

The power contacts must be ordered separately since they are not included in the scope of supply of the contact carriers of combi contact inserts.

# VARIOSUB D-SUB 25

## Contact Inserts with High Current and Signal Contacts

### Solder Connection



Description	Type	Order No.	Pcs./Pkt.
<b>Male contact carrier,</b> for 3 power contacts, with 10 signal contacts, U-groove solder connection	VS-25-ST-DSUB-3P-10S	16 89 99 6	10
<b>Female contact carrier,</b> for 3 power contacts, with 10 signal contacts, U-groove solder connection	VS-25-BU-DSUB-3P-10S	16 90 00 8	10
<b>Accessories</b>			
<b>Male power contact for 20 A,</b> with U-groove solder connection	VS-ST-LK-3,6/22,4/2,6	16 88 24 3	30
<b>Female power contact for 20 A,</b> with U-groove solder connection	VS-BU-LK-3,6/22,8/2,6	16 88 25 6	30
<b>Male power contact for 40 A,</b> with U-groove solder connection	VS-ST-LK-3,6/22,4/4,6	16 88 26 9	30
<b>Female power contact for 40 A,</b> with U-groove solder connection	VS-BU-LK-3,6/22,8/4,6	16 88 27 2	30
<b>Technical data</b>			
<b>Mechanical data</b>			
Insertion/withdrawal cycles		≥ 500	
<b>Material and surfaces</b>			
Insulating body		PBTP GV (UL 94 V0)	
Housing		Steel	
Housing surface		Tin-plated	
Contact material		Cu alloy	
Contact surface		0.8 µm gold over nickel	
<b>Electrical data</b>			
Max. amperage, signal contacts	[A]	5	
Max. amperage, power contacts	[A]	20 or 40	
Operating voltage	[V]	125	
<b>Thermal and climatic data</b>			
Temperature range	[°C]	- 20 to + 80	

**Note:**  
The power contacts must be ordered separately since they are not included in the scope of supply of the contact carriers of combi contact inserts.

# VARIOSUB D-SUB 25 Sleeve Housings



Description	Type	Order No.	Pcs./Pkt.
<b>Plastic sleeve housing,</b> with Push-Pull locking for panel mounting base, with 2 inclined M 20 lamellar screw connections, with 2 screws for fastening the contact inserts	<b>VS-25-T-2 M20</b>	<b>16 89 79 2</b>	5
<b>Accessories</b>			
<b>M 20 cap nut with seal</b> for conductor diameters from 5-13 mm	<b>VS-M20 (5-13)</b>	<b>16 52 12 7</b>	5
<b>Cover cap,</b> for vacant M 20 screw connections	<b>VC-PG 11 BS</b>	<b>16 88 14 6</b>	10
<b>Coding profile,</b> made of red plastic, mounted in the panel mounting base and sleeve housing (4 profiles for each plug connector) see Fig. 1	<b>CP-HCC 4</b>	<b>16 00 02 7</b>	100
<b>Marker labels,</b> for snapping in	<b>ZBN 18: UNBEDRUCKT</b>	<b>28 09 12 8</b>	10
<b>EMC internal sleeve,</b> with connection clamp and screw for contacting 2 conductor screens	<b>VS-25-TI-2EMV</b>	<b>16 89 80 2</b>	5
<b>Protective cover,</b> for covering the contact insert in the panel mounting frame or sleeve housing	<b>VS-25-SD</b>	<b>16 52 21 1</b>	5
<b>Technical data</b>			
Insulation material	PA		
Inflammability class acc. to UL 94	V0		
Degree of protection	IP 67		
Temperature range	- 20 to + 80		

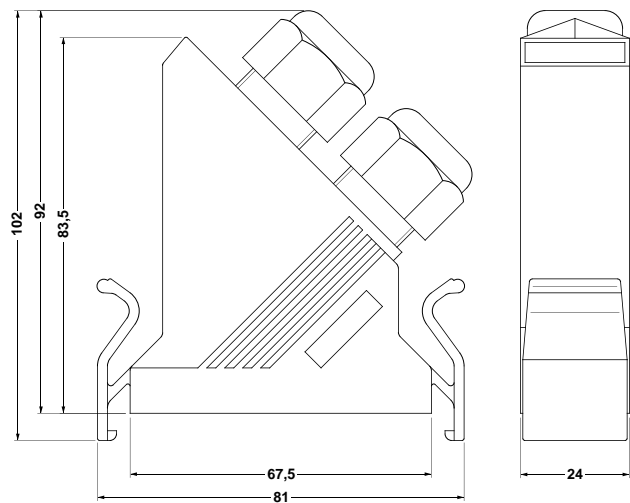
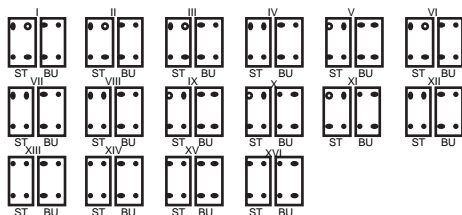


Figure 1: Coding for housings with one contact insert

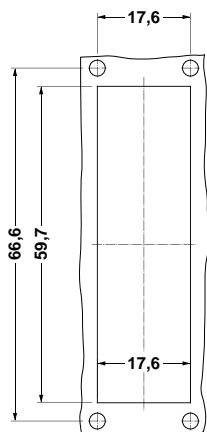
VS-25-T-2 M20



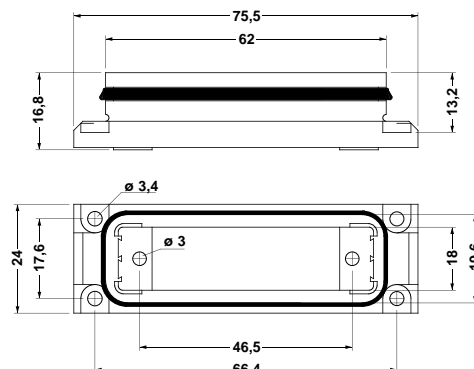
# VARIOSUB D-SUB 25 Panel Mounting Frames



Description	Type	Order No.	Pcs./Pkt.
<b>Plastic panel mounting frame,</b> with radially-acting profile gasket mounted, with enclosed self-adhesive flat gasket (without mounting screws on the device side)	VS-25-A	16 89 75 0	5
<b>Accessories</b>			
<b>EMC shroud,</b> for contacting a D-SUB contact insert on the mounting side with the outer wall of the housing	VS-25-A-EMV-S	16 89 76 3	5
<b>Protective cover,</b> for covering the contact insert in the panel mounting frame or sleeve housing	VS-25-SD	16 52 21 1	5
<b>Technical data</b>			
Insulation material	PA		
Inflammability class acc. to UL 94	V0		
Degree of protection	IP 67		
Temperature range	- 20 to + 80		



Panel cutout: VS-25-A



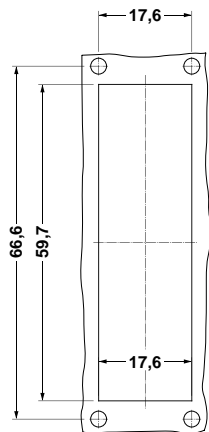
Dimensional drawing: VS-25-A

# VARIOSUB D-SUB 25 Panel Mounting Frames with Gender Changer

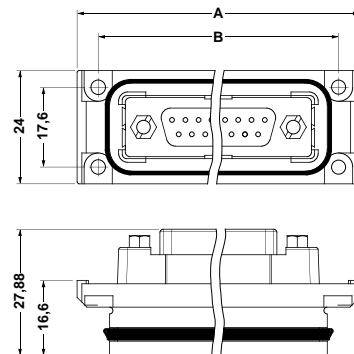


The illustration shows the 9-pos. version

Description		Type	Order No.	Pcs./Pkt.
<b>Panel mounting frame, with gender changer</b>	Female / Female	VS-25-A-GC-BU/BU	16 89 73 4	5
<b>Panel mounting frame, with gender changer</b>	Male / Male	VS-25-A-GC-ST/ST	16 89 74 7	5
<b>Technical data</b>				
Insulation material			PA	
Inflammability class acc. to UL 94			V0	
Degree of protection			IP 67	
Temperature range	[°C]		- 20 to + 80	



Panel cutout: VS-25-A-GC...



	VS-25-A-GC...
A [mm]	76.0
B [mm]	66.6

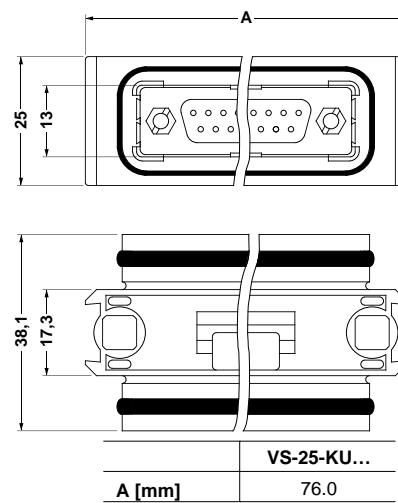
Dimensional drawing: VS-25-A-GC...

# VARIOSUB D-SUB 25 Couplings



The illustration shows the 9-pos. version

Description		Type	Order No.	Pcs./Pkt.
<b>Coupling,</b> 25-pos.,	Female / Female	VS-25-KU-BU/BU	16 89 67 9	5
<b>Coupling,</b> 25-pos.	Male / Male	VS-25-KU-ST/ST	16 89 68 2	5
<b>Technical data</b>				
Insulation material			PA	
Inflammability class acc. to UL 94			V0	
Degree of protection			IP 67	
Temperature range	[°C]		- 20 to + 80	



Dimensional drawing: VS-25-KU...

# VARIOSUB D-SUB 25 Plug Connector Sets



## Description

**Set VARIOSUB D-SUB 25, standard version**  
for D-SUB 25 contact inserts, with Push-Pull locking, IP 67

**Set VARIOSUB D-SUB 25, EMC version**  
for D-SUB 25 contact inserts, with Push-Pull locking, IP 67

## Accessories

**Protective cover,**  
for covering the contact insert in the panel mounting frame  
or sleeve housing

## Technical data

Insulation material

Inflammability class acc. to UL 94

Degree of protection

Temperature range

[°C]

## Type

## Order No.

## Pcs./Pkt.

VS-25-SET-STD

16 52 19 8

1

VS-25-SET-EMV

16 52 20 8

1

VS-25-SD

16 52 21 1

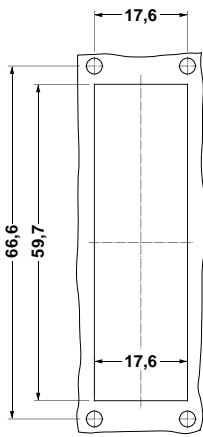
5

PA

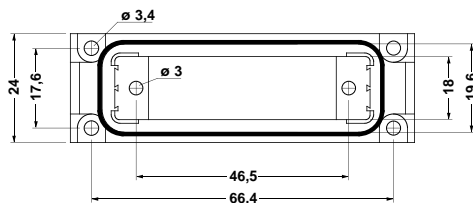
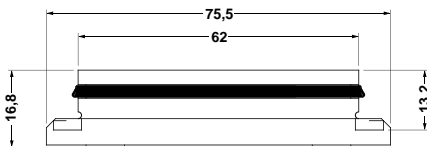
V0

IP 67

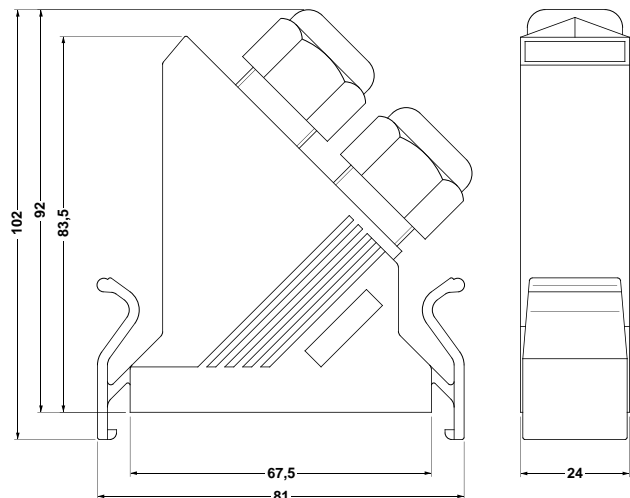
- 20 to + 80



Panel cutout of panel mounting frame



Dimensional drawing of panel mounting frame



Dimensional drawing of sleeve



Компания «ЭлектроПласт» предлагает заключение долгосрочных отношений при поставках импортных электронных компонентов на взаимовыгодных условиях!

Наши преимущества:

- Оперативные поставки широкого спектра электронных компонентов отечественного и импортного производства напрямую от производителей и с крупнейших мировых складов;
- Поставка более 17-ти миллионов наименований электронных компонентов;
- Поставка сложных, дефицитных, либо снятых с производства позиций;
- Оперативные сроки поставки под заказ (от 5 рабочих дней);
- Экспресс доставка в любую точку России;
- Техническая поддержка проекта, помощь в подборе аналогов, поставка прототипов;
- Система менеджмента качества сертифицирована по Международному стандарту ISO 9001;
- Лицензия ФСБ на осуществление работ с использованием сведений, составляющих государственную тайну;
- Поставка специализированных компонентов (Xilinx, Altera, Analog Devices, Intersil, Interpoint, Microsemi, Aeroflex, Peregrine, Syfer, Eurofarad, Texas Instrument, Miteq, Cobham, E2V, MA-COM, Hittite, Mini-Circuits, General Dynamics и др.);

Помимо этого, одним из направлений компании «ЭлектроПласт» является направление «Источники питания». Мы предлагаем Вам помощь Конструкторского отдела:

- Подбор оптимального решения, техническое обоснование при выборе компонента;
- Подбор аналогов;
- Консультации по применению компонента;
- Поставка образцов и прототипов;
- Техническая поддержка проекта;
- Защита от снятия компонента с производства.



#### Как с нами связаться

**Телефон:** 8 (812) 309 58 32 (многоканальный)

**Факс:** 8 (812) 320-02-42

**Электронная почта:** [org@eplast1.ru](mailto:org@eplast1.ru)

**Адрес:** 198099, г. Санкт-Петербург, ул. Калинина, дом 2, корпус 4, литера А.