

## AC Line Rated Ceramic Disc Capacitors Class X1, 760 V<sub>AC</sub>, Class Y1, 500 V<sub>AC</sub>



### ADDITIONAL RESOURCES



| QUICK REFERENCE DATA       |        |     |                  |                  |
|----------------------------|--------|-----|------------------|------------------|
| DESCRIPTION                | VALUE  |     |                  |                  |
| Ceramic Class              | 1      |     | 2                |                  |
| Ceramic Dielectric         | U2J    | U2J | Y5S, Y5U,<br>Y5V | Y5S, Y5U,<br>Y5V |
| Voltage (V <sub>AC</sub> ) | 500    | 760 | 500              | 760              |
| Min. Capacitance (pF)      | 10     |     | 33               |                  |
| Max. Capacitance (pF)      | 22     |     | 4700             |                  |
| Mounting                   | Radial |     |                  |                  |

### OPERATING TEMPERATURE RANGE

-40 °C to +125 °C

### TEMPERATURE CHARACTERISTICS

Class 1: N750 (U2J)

Class 2: Y5S, Y5U, Y5V

### SECTIONAL SPECIFICATIONS

Climatic category (according to EN 60058-1)

Class 1 and class 2: 40/125/21

### COATING

According to UL 94 V-0

Epoxy resin, isolating, flame retardant

Halogen-free available

Reinforced insulation

### APPROVALS

IEC 60384-14.4

UL 60384-14

DIN EN 60384-14

CSA E60384-1:03, CSA E60384-14:09

CQC11-471112-2009

### PACKAGING

Bulk, tape and reel, taped ammpack

### FEATURES

- Complying with IEC 60384-14 4<sup>th</sup> edition
- High reliability
- Vertical (inline) kinked or straight leads
- Singlelayer AC disc safety capacitors
- Material categorization:  
for definitions of compliance please see  
[www.vishay.com/doc?99912](http://www.vishay.com/doc?99912)



### APPLICATIONS

- X1, Y1 according to IEC 60384-14.4
- Across-the-line
- Line by-pass
- Antenna coupling

### DESIGN

The capacitor consists of a ceramic disc which is silver plated on both sides. Connection leads are made of tinned copper clad steel having a diameter of 0.6 mm.

The capacitors may be supplied with vertical (inline) kinked leads having a lead spacing of 10.0 mm, or 12.5 mm. Encapsulation is made of flame retardant epoxy resin in accordance with UL 94 V-0.

### CAPACITANCE RANGE

10 pF to 4700 pF

### RATED VOLTAGE U<sub>R</sub>

IEC 60384-14.4:

(X1): 760 V<sub>AC</sub>, 50 Hz

(Y1): 500 V<sub>AC</sub>, 50 Hz

1500 V<sub>DC</sub>

### TEST VOLTAGE

Component test (100 %):

4000 V<sub>AC</sub>, 50 Hz, 2 s

Random sampling test (destructive test):

4000 V<sub>AC</sub>, 50 Hz, 60 s

Voltage proof of coating (destructive test):

4000 V<sub>AC</sub>, 50 Hz, 60 s

### INSULATION RESISTANCE

≥ 10 000 MΩ

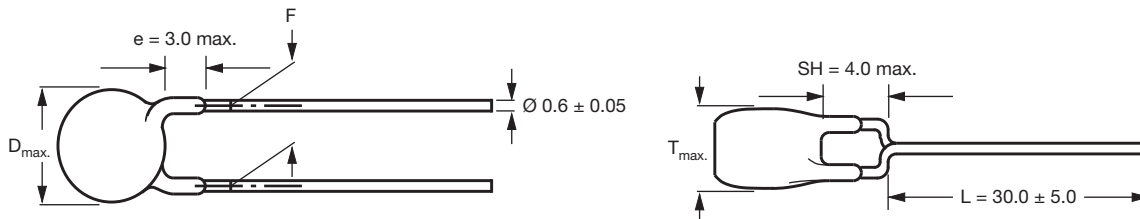
### CAPACITANCE TOLERANCE

± 20 % (code M); ± 10 % (code K)

### DISSIPATION FACTOR

Class 1: max. 0.5 % (1 MHz)

Class 2: max. 2.5 % (1 kHz)

**DIMENSIONS** in millimeters


Capacitors with 10.0 mm or 12.5 mm lead spacing

**TECHNICAL DATA**

| CAPACITANCE<br>C (pF)             | CAPACITANCE<br>TOLERANCE<br>(%) | BODY<br>DIAMETER<br>$D_{max.}$ (mm) | BODY<br>THICKNESS<br>$T_{max.}$ (mm) | LEAD SPACING<br>F (mm) $\pm 1$ mm | PART NUMBER                               |
|-----------------------------------|---------------------------------|-------------------------------------|--------------------------------------|-----------------------------------|---|
|                                   |                                 |                                     |                                      |                                   | MISSING DIGITS SEE<br>ORDERING CODE BELOW |
| <b>U2J (N750)</b>                 |                                 |                                     |                                      |                                   |   |
| 10                                | $\pm 10$                        | 8.0                                 | 5.0                                  | 10.0 or 12.5                      | VY1100K31U2JQ6###                         |
| 15                                |                                 |                                     |                                      |                                   | VY1150K31U2JQ6###                         |
| 22                                |                                 |                                     |                                      |                                   | VY1220K31U2JQ6###                         |
| <b>Y5S (2C3)</b>                  |                                 |                                     |                                      |                                   |   |
| 33                                | $\pm 10$                        | 8.0                                 | 5.0                                  | 10.0 or 12.5                      | VY1330K31Y5SQ6###                         |
| 47                                |                                 |                                     |                                      |                                   | VY1470K31Y5SQ6###                         |
| 68                                |                                 |                                     |                                      |                                   | VY1680K31Y5SQ6###                         |
| 100                               |                                 |                                     |                                      |                                   | VY1101K31Y5SQ6###                         |
| 150                               |                                 |                                     |                                      |                                   | VY1151K31Y5SQ6###                         |
| 220                               |                                 |                                     |                                      |                                   | VY1221K31Y5SQ6###                         |
| 330                               |                                 |                                     |                                      |                                   | VY1331K31Y5SQ6###                         |
| <b>Y5U (2E3)</b>                  |                                 |                                     |                                      |                                   |   |
| 470                               | $\pm 20^{(1)}$                  | 8.0                                 | 5.0                                  | 10.0 or 12.5                      | VY1471#31Y5UQ6###                         |
| 680                               |                                 |                                     |                                      |                                   | VY1681#31Y5UQ6###                         |
| 1000                              |                                 | 9.0                                 |                                      |                                   | VY1102#35Y5UQ6###                         |
| 1500                              |                                 | 10.5                                |                                      |                                   | VY1152#41Y5UQ6###                         |
| 2200                              |                                 | 12.0                                |                                      |                                   | VY1222#47Y5UQ6###                         |
| 3300                              |                                 | 15.0                                |                                      |                                   | VY1332#59Y5UQ6###                         |
| 3900                              |                                 | 15.5                                |                                      |                                   | VY1392#61Y5UQ6###                         |
| 4700                              |                                 | 16.0                                |                                      |                                   | VY1472#63Y5UQ6###                         |
| <b>Y5V (2F3) MINI SIZE SERIES</b> |                                 |                                     |                                      |                                   |   |
| 1000                              | $\pm 20$                        | 7.5                                 | 5.5                                  | 10.0 or 12.5                      | VY1102M29Y5VQ6###                         |
| 1500                              |                                 | 8.5                                 |                                      |                                   | VY1152M33Y5VQ6###                         |
| 2200                              |                                 | 9.5                                 |                                      |                                   | VY1222M37Y5VQ6###                         |
| 3300                              |                                 | 11.0                                |                                      |                                   | VY1332M43Y5VQ6###                         |
| 3900                              |                                 | 12.0                                |                                      |                                   | VY1392M47Y5VQ6###                         |
| 4700                              |                                 | 13.0                                |                                      |                                   | VY1472M51Y5VQ6###                         |

**Notes**

- Straight leads available on request
- Coating extension DR valid for straight leads only

<sup>(1)</sup>  $\pm 10$  % available on request

| ORDERING CODE  |  |                       |                |                                    |                         |                         |                    |  |                                      |                      |
|----------------|--|-----------------------|----------------|------------------------------------|-------------------------|-------------------------|--------------------|--|--------------------------------------|----------------------|
| #              | 7 <sup>th</sup> digit                      | Capacitance tolerance |                | ± 10 % = K, ± 20 % = M             |                         |                         |                    |  |                                      |                      |
| ###            | 15 <sup>th</sup> to 17 <sup>th</sup> digit | Lead configuration    |                | Available configurations see below |                         |                         |                    |  |                                      |                      |
| <b>Example</b> | <b>VY1</b>                                 | <b>101</b>            | <b>K</b>       | <b>31</b>                          | <b>Y5S</b>              | <b>Q</b>                | <b>6</b>           | <b>T</b>                                     | <b>V</b>                             | <b>0</b>             |
|                | Series                                     | Capacitance value     | Tolerance code | Size code                          | Temperature coefficient | Rated voltage           | Lead wire diameter | Packaging / lead length                      | Lead style                           | Lead spacing         |
|                |  |                       |                |                                    |                         | Q = X1/Y1<br>500 V (AC) |                    | 3 = bulk<br>T = tape and reel<br>U = ammpack | L = straight<br>V = inline<br>kinked | 0 = 10.0<br>X = 12.5 |

| PACKAGING |   |                      |      |      |
|-----------|---|----------------------|------|------|
| SIZE CODE | BODY DIAMETER<br>D <sub>max.</sub> (mm) | PACKAGING QUANTITIES |      |      |
|           |   | BULK                 | REEL | AMMO |
| 31 to 47  | 12.0                                    | 1000                 | 500  | 750  |
| 51 to 63  | 16.0                                    | 500                  | 500  | 750  |

**Note**

- The capacitors are supplied in bulk packaging (cardboard boxes), in tape on reel or in ammpack

**STRAIGHT LEADS**


The sprocket hole pitch ( $P_0$ ) is 12.7 mm for lead spacing 10.0 mm and 12.5 mm

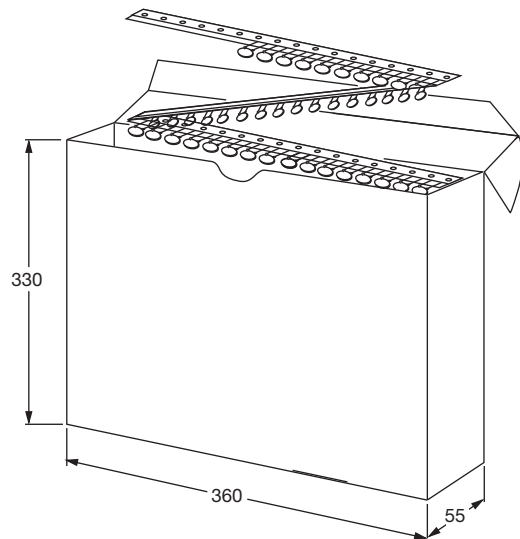
| DIMENSIONS OF TAPE            |  |                          |
|-------------------------------|--|--------------------------|
| SYMBOL                        | PARAMETER                                    | DIMENSIONS (mm)          |
| D <sup>(1)</sup>              | Body diameter                                | 16.0 max.                |
| d                             | Lead diameter                                | 0.6 ± 0.05               |
| P                             | Pitch of component                           | 25.4 ± 1                 |
| P <sub>0</sub> <sup>(2)</sup> | Pitch of sprocket hole                       | 12.7 ± 0.3               |
| P <sub>1</sub> <sup>(3)</sup> | Distance, hole center to lead                | 7.7 or 6.4 ± 1.0         |
| P <sub>2</sub> <sup>(3)</sup> | Distance, hole to center of component        | 12.7 ± 1.5               |
| F                             | Lead spacing                                 | 10.0 or 12.5 + 0.6/- 0.4 |
| Δh                            | Average deviation across tape                | ± 1.0 max.               |
| ΔP                            | Average deviation in direction of reeling    | ± 1.0 max.               |
| W                             | Carrier tape width                           | 18.0 + 1/- 0.5           |
| W <sub>0</sub>                | Hold-down tape width                         | 5.0 min.                 |
| W <sub>1</sub>                | Position of sprocket hole                    | 9.0 + 0.75/- 0.5         |
| W <sub>2</sub>                | Distance of hold-down tape                   | 3.0 max.                 |
| H <sub>1</sub>                | Maximum component height                     | 40.0                     |
| H <sub>0</sub>                | Height to seating plane (for kinked leads)   | 16.0 ± 0.5               |
| H <sub>0</sub>                | Height to seating plane (for straight leads) | 20.0 ± 0.5               |
| L                             | Length of cut leads                          | 11.0 max.                |
| L <sub>1</sub>                | Length of lead protrusion                    | 1.0 max.                 |
| D <sub>0</sub>                | Diameter of sprocket hole                    | 4.0 ± 0.2                |
| t                             | Total tape thickness                         | 0.9 max.                 |
| t <sub>1</sub>                | Total tape thickness with lead wire          | t + d                    |

**Notes**

- (1) See "Technical Data" table
- (2) Cumulative pitch error: ± 1 mm/20 pitches
- (3) Obliquity maximum 3°

**REEL AND TAPE DATA** in millimeters


Reel with capacitors on tape



Ammopack with capacitors on tape

**APPROVALS**

IEC 60384-14.4 - Safety tests  
 This approval together with CB test certificate substitutes all national approvals.

**CB Certificate**

|                                    |             |                 |                     |
|------------------------------------|-------------|-----------------|---------------------|
| Y1-capacitor: CB test certificate: | US-26561-UL | 10 pF to 4.7 nF | 500 V <sub>AC</sub> |
| X1-capacitor: CB test certificate: | US-26561-UL | 10 pF to 4.7 nF | 760 V <sub>AC</sub> |


**VDE**

|                                   |          |                 |                     |
|-----------------------------------|----------|-----------------|---------------------|
| Y1-capacitor: VDE marks approval: | 40012673 | 10 pF to 4.7 nF | 500 V <sub>AC</sub> |
| X1-capacitor: VDE marks approval: | 40012673 | 10 pF to 4.7 nF | 760 V <sub>AC</sub> |



DIN EN 60384-14 VDE 0565-1-1:2006-04 - Safety tests

**Underwriters Laboratories Inc./Canadian Standards Association**

|                                     |         |                 |                     |
|-------------------------------------|---------|-----------------|---------------------|
| Y1-capacitor: CSA test certificate: | E183844 | 10 pF to 4.7 nF | 500 V <sub>AC</sub> |
| X1-capacitor: CSA test certificate: | E183844 | 10 pF to 4.7 nF | 760 V <sub>AC</sub> |



UL 60384-14, CSA E60384-1:03, CSA E60384-14:09

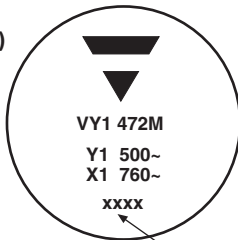
Fixed capacitors for electromagnetic interference suppression and connection to the supply mains.

**CQC**

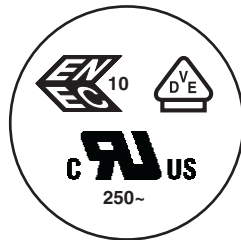
|                                     |                |                 |                     |
|-------------------------------------|----------------|-----------------|---------------------|
| Y1-capacitor: CQC test certificate: | CQC05001015032 | 10 pF to 4.7 nF | 500 V <sub>AC</sub> |
| X1-capacitor: CQC test certificate: | CQC05001015032 | 10 pF to 4.7 nF | 760 V <sub>AC</sub> |


**MARKING**

Sample  
(2 sides)



4 digit date code  
(year/week; add suffix "V" for mini size series)



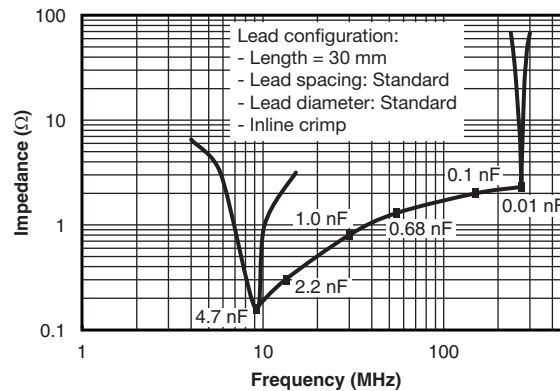
|                       |                    |           |
|-----------------------|--------------------|-----------|
| PN: VY1471M31Y5UQ6XT0 | Lot1: 14Z551S12    | DC1: 0601 |
| QTY: 225              | Lot2:              | DC2:      |
| PO:                   | Batch: 200601CN    |           |
| SO:                   | Region: 9520       | SL: 0010  |
|                       | Ser.No: 0601H69340 |           |



1/1

| <b>PERFORMANCE</b>               |   |   |
|----------------------------------|---|---|
| <b>TEST</b>                      | <b>TEST CONDITION</b>   | <b>TEST LIMITS</b>  |
| Visual and mechanical inspection | Optical inspection, dimensions measured with caliper  | No visible damage, marking legible  |
| Capacitance (C)                  | 25 °C ± 3 °C , relative humidity (RH) ≤ 75 %,<br>1.0 V <sub>RMS</sub> ± 0.2 V <sub>RMS</sub> at 1 kHz for Y5U and Y5S, and 1 MHz for U2J  | Capacitance within specified tolerance  |
| Dissipation factor (DF)          |   | DF ≤ 0.3 % for U2J and<br>DF ≤ 2.5 % for Y5S and Y5U  |
| Insulation resistance (IR)       | Measured within 60 s ± 5 s after charging at 500 V <sub>DC</sub>  | 10 000 MΩ min.  |
| Dielectric strength              | 4000 V <sub>AC</sub> at 50 Hz/60 Hz for 1 min, 50 mA max.   | No failure  |
| Temperature characteristic       | RH ≤ 75 %, 1.0 V <sub>RMS</sub> ± 0.2 V <sub>RMS</sub> at 1 kHz for Y5U and Y5S,<br>and 1 MHz for U2J   | U2J: -750 ppm ± 120 ppm<br>Y5S: ± 22 %<br>Y5U: +22 %/-56 %  |
| Impulse voltage                  | 3 pulses of 8 kV  | No failure  |
| Life test                        | 1000 h at 125 °C ± 2 °C, 850 V <sub>AC</sub> /50 Hz;<br>once every hour 1000 V <sub>AC</sub> for 0.1 s  | External appearance: no visible damage<br>ΔC/C ≤ ± 15 %<br>DF ≤ 0.5 % for U2J and ≤ 5 % for Y5S and Y5U<br>IR ≥ 3000 MΩ<br>Dielectric strength: no failure                                      |
| Humidity test                    | 500 h at 500 V <sub>AC</sub> , 50 Hz and 500 h unloaded<br>40 °C, RH = 90 % to 95%  | External appearance: no visible damage<br>ΔC/C ≤ ± 10 % for U2J and ≤ ± 15 % for Y5S and Y5U<br>DF ≤ 0.5 % for U2J and ≤ 5 % for Y5S and Y5U<br>IR ≥ 3000 MΩ<br>Dielectric strength: no failure |
| Robustness of termination        | Pull test: 0.5 kg tensile weight in radial direction for 10 s ± 1 s<br>Bending strength: capacitor body rotated by 90° in both directions   | No damage to capacitor body and lead wire   |
| Soldering effect                 | Immersion of lead wires into 260 °C ± 5 °C solder for 10 s ± 2 s;<br>min. distance from body: 1.5 mm<br>Hand soldering at 400 °C ± 10 °C for 3 s to 4 s;<br>min. distance from body: 1.5 mm   | External appearance: no visible damage<br>ΔC/C ≤ ± 5 % for U2J and ≤ ± 10 % for Y5S and Y5U<br>Dielectric strength: no failure  |
| Vibration test                   |  <p>Resin (adhesive)</p> <p>Solder the capacitor onto test jig (glass epoxy body) and use resin (adhesive) to stick the body to the test jig.<br/>The capacitor must be soldered firmly to the supporting lead wire.<br/>Vibration change from 10 Hz to 2000 Hz and back to 10 Hz;<br/>Total amplitude: 1.5 mm; Acceleration: 100 m/s<sup>2</sup>;<br/>Sweep rate: 1 oct/min, each axis 2 h (6 h in total)</p> | External appearance: no visible damage<br>Capacitance within specified tolerance<br>DF ≤ 0.3 % for U2J and ≤ 2.5 % for Y5S and Y5U<br>IR ≥ 10 000 GΩ  |

**LEAKAGE CURRENT VS. VOLTAGE** (Typical)

**IMPEDANCE VS. FREQUENCY** (Typical)

**Note**

- The capacitors meet the essential requirements of "EIA 198". Unless stated otherwise all electrical values apply at an ambient temperature of  $25\text{ }^{\circ}\text{C} \pm 3\text{ }^{\circ}\text{C}$ , at normal atmospheric conditions

**RELATED DOCUMENTS**

|                      |  |
|----------------------|--|
| General Information  | <a href="http://www.vishay.com/doc?28536">www.vishay.com/doc?28536</a> |
| CB Test Certificate  | <a href="http://www.vishay.com/doc?22249">www.vishay.com/doc?22249</a> |
| VDE Marks Approval   | <a href="http://www.vishay.com/doc?22251">www.vishay.com/doc?22251</a> |
| UL Test Certificate  | <a href="http://www.vishay.com/doc?22250">www.vishay.com/doc?22250</a> |
| CQC Test Certificate | <a href="http://www.vishay.com/doc?22248">www.vishay.com/doc?22248</a> |
| LTspice® Models      | <a href="http://www.vishay.com/doc?28568">www.vishay.com/doc?28568</a> |

**SAMPLE KITS**

|                                    |  |
|------------------------------------|--|
| Part Number (VY1 Sample Kit)       | VY11-KIT-HF  |
| Link (VY1 Sample Kit)              | <a href="http://www.vishay.com/doc?28552">www.vishay.com/doc?28552</a> |
| Part Number (VY1...Y5V Sample Kit) | VY1-KIT-MS   |
| Link (VY1...Y5V Sample Kit)        | <a href="http://www.vishay.com/doc?28561">www.vishay.com/doc?28561</a> |



## Disclaimer

ALL PRODUCT, PRODUCT SPECIFICATIONS AND DATA ARE SUBJECT TO CHANGE WITHOUT NOTICE TO IMPROVE RELIABILITY, FUNCTION OR DESIGN OR OTHERWISE.

Vishay Intertechnology, Inc., its affiliates, agents, and employees, and all persons acting on its or their behalf (collectively, "Vishay"), disclaim any and all liability for any errors, inaccuracies or incompleteness contained in any datasheet or in any other disclosure relating to any product.

Vishay makes no warranty, representation or guarantee regarding the suitability of the products for any particular purpose or the continuing production of any product. To the maximum extent permitted by applicable law, Vishay disclaims (i) any and all liability arising out of the application or use of any product, (ii) any and all liability, including without limitation special, consequential or incidental damages, and (iii) any and all implied warranties, including warranties of fitness for particular purpose, non-infringement and merchantability.

Statements regarding the suitability of products for certain types of applications are based on Vishay's knowledge of typical requirements that are often placed on Vishay products in generic applications. Such statements are not binding statements about the suitability of products for a particular application. It is the customer's responsibility to validate that a particular product with the properties described in the product specification is suitable for use in a particular application. Parameters provided in datasheets and / or specifications may vary in different applications and performance may vary over time. All operating parameters, including typical parameters, must be validated for each customer application by the customer's technical experts. Product specifications do not expand or otherwise modify Vishay's terms and conditions of purchase, including but not limited to the warranty expressed therein.

Except as expressly indicated in writing, Vishay products are not designed for use in medical, life-saving, or life-sustaining applications or for any other application in which the failure of the Vishay product could result in personal injury or death. Customers using or selling Vishay products not expressly indicated for use in such applications do so at their own risk. Please contact authorized Vishay personnel to obtain written terms and conditions regarding products designed for such applications.

No license, express or implied, by estoppel or otherwise, to any intellectual property rights is granted by this document or by any conduct of Vishay. Product names and markings noted herein may be trademarks of their respective owners.





Компания «ЭлектроПласт» предлагает заключение долгосрочных отношений при поставках импортных электронных компонентов на взаимовыгодных условиях!

Наши преимущества:

- Оперативные поставки широкого спектра электронных компонентов отечественного и импортного производства напрямую от производителей и с крупнейших мировых складов;
- Поставка более 17-ти миллионов наименований электронных компонентов;
- Поставка сложных, дефицитных, либо снятых с производства позиций;
- Оперативные сроки поставки под заказ (от 5 рабочих дней);
- Экспресс доставка в любую точку России;
- Техническая поддержка проекта, помощь в подборе аналогов, поставка прототипов;
- Система менеджмента качества сертифицирована по Международному стандарту ISO 9001;
- Лицензия ФСБ на осуществление работ с использованием сведений, составляющих государственную тайну;
- Поставка специализированных компонентов (Xilinx, Altera, Analog Devices, Intersil, Interpoint, Microsemi, Aeroflex, Peregrine, Syfer, Eurofarad, Texas Instrument, Miteq, Cobham, E2V, MA-COM, Hittite, Mini-Circuits, General Dynamics и др.);

Помимо этого, одним из направлений компании «ЭлектроПласт» является направление «Источники питания». Мы предлагаем Вам помощь Конструкторского отдела:

- Подбор оптимального решения, техническое обоснование при выборе компонента;
- Подбор аналогов;
- Консультации по применению компонента;
- Поставка образцов и прототипов;
- Техническая поддержка проекта;
- Защита от снятия компонента с производства.



#### Как с нами связаться

**Телефон:** 8 (812) 309 58 32 (многоканальный)

**Факс:** 8 (812) 320-02-42

**Электронная почта:** [org@eplast1.ru](mailto:org@eplast1.ru)

**Адрес:** 198099, г. Санкт-Петербург, ул. Калинина, дом 2, корпус 4, литера А.