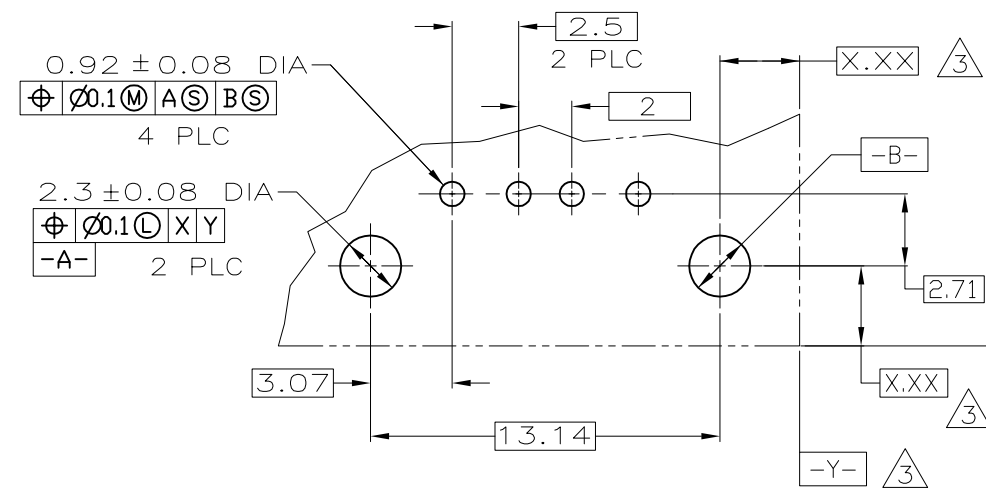
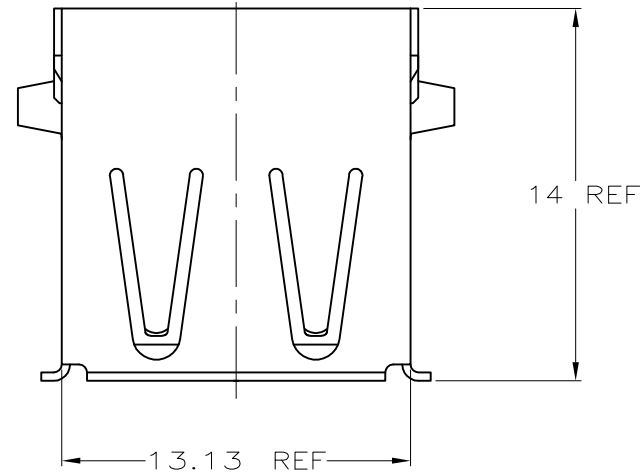
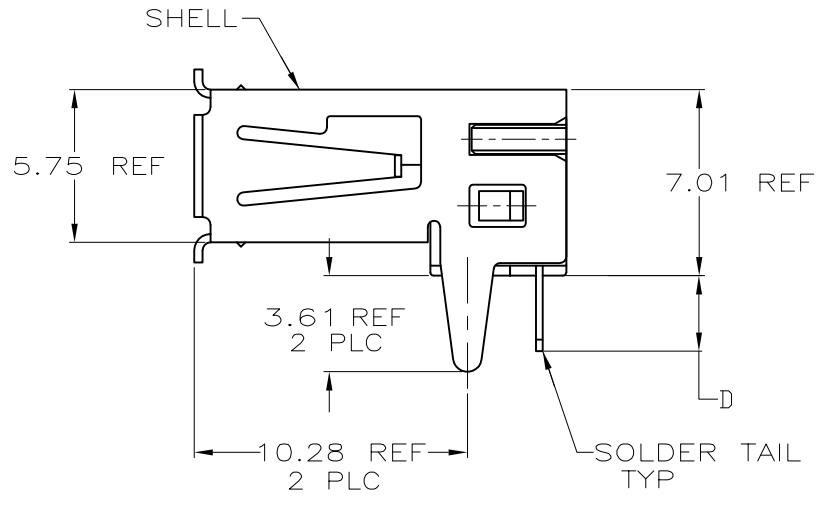
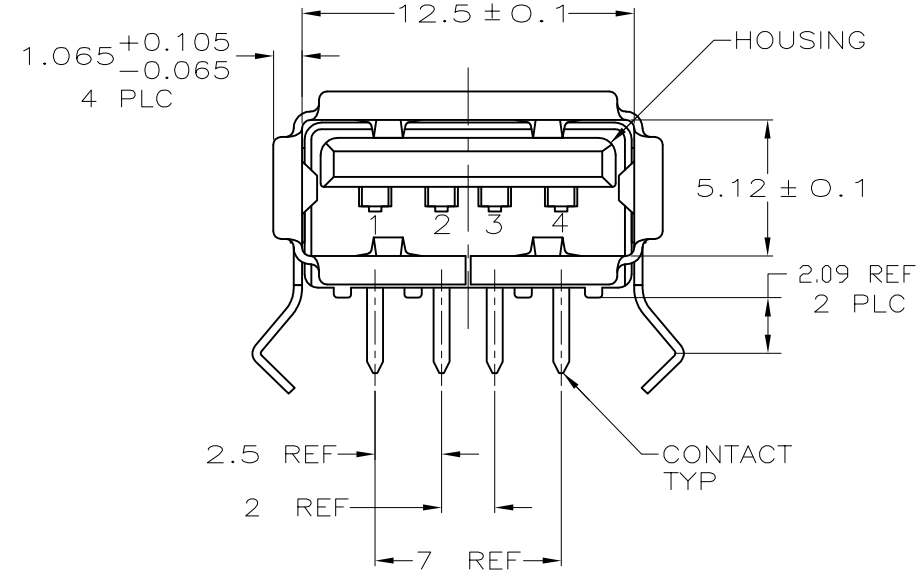


LOC		DIST		REVISIONS			
P	LTR	DESCRIPTION	DATE	DWN	APVD		
ES	00						
	E12	REVISED PER ECR-17-010413	20JUL17	T.Z	H.W		



PC BOARD MOUNTING DIMENSIONS ④



- ① MATERIAL:
 SHELL- STAINLESS STEEL.
 CONTACTS- COPPER ALLOY.
 HOUSING: UL 94V-0 RATED, THERMOPLASTIC, COLOR SEE TABLE.
- ② PLATING:
 CONTACTS: 0.076μm MINIMUM GOLD OVER 0.76μm MINIMUM PALLADIUM-NICKEL ON MATING AREA.
 3.8μm MINIMUM MATTE TIN ON SOLDER TAILS.
 BOTH OVER 1.27μm MINIMUM NICKEL.
 CONTACT ALTERNATE PLATING: 0.76μm MIN GOLD ON MATING AREA, 3.80μm MIN MATTE TIN ON SOLDER TAILS, BOTH OVER 1.27μm MIN NICKEL.
 SHELL: 2~5μm MINIMUM BRIGHT TIN
- ③ DATUM AND BASIC DIMENSIONS ESTABLISHED BY CUSTOMER.
- ④ RECOMMENDED PC BOARD THICKNESS OF 1.57.
- ⑤ PLATING:
 CONTACTS: 0.76μm MINIMUM PALLADIUM-NICKEL ON MATING AREA.
 3.8μm MINIMUM MATTE TIN ON SOLDER TAILS.
 BOTH OVER 1.27μm MINIMUM NICKEL.
 SHELL: 2~5μm MINIMUM BRIGHT TIN

⑤	YES	2.84	BLACK	2-292303-0 ⑤⑨
②	YES	2.29	BLACK	1-292303-9 ⑤⑧
②	NO	3.81	BLACK	1-292303-5
②	NO	3.56	BLACK	1-292303-4
②	NO	3.20	BLACK	1-292303-3
②	YES	3.30	BLACK	1-292303-2
②	YES	2.29	BLACK	292303-6
②	YES	2.84	NATURAL	292303-5
②	YES	2.84	BLACK	292303-4
②	NO	2.84	NATURAL	292303-3
②	NO	2.29	BLACK	292303-2
②	NO	2.84	BLACK	292303-1
CONTACT PLATING	HIGH TEMPERATURE COMPATIBLE	D	HOUSING COLOR	PART NUMBER

THIS DRAWING IS A CONTROLLED DOCUMENT.

DIMENSIONS: mm	TOLERANCES UNLESS OTHERWISE SPECIFIED:	DWN J. JIANG 19FEB04		
0 PLC ± -	1 PLC ± -	CHK S. YAO 19FEB04		
2 PLC ± 0.25	3 PLC ± -	APVD T. SASAKI 19FEB04	NAME RECEPTACLE ASSEMBLY RIGHT ANGLE, 4 POSITION, T/H & SMT USB, LEAD FREE VERSION	
4 PLC ± -	ANGLES ± -	PRODUCT SPEC 108-60034	SIZE A2	CAGE CODE 00779
MATERIAL ①	FINISH SEE TABLE	APPLICATION SPEC	DRAWING NO C=292303	RESTRICTED TO -
		WEIGHT -	SCALE 5:1	SHEET 1 OF 4
		CUSTOMER DRAWING	REV E12	

4

3

2

1

THIS DRAWING IS UNPUBLISHED. RELEASED FOR PUBLICATION
 © COPYRIGHT - By - ALL RIGHTS RESERVED.

LOC	DIST	REVISIONS			
P	LTR	DESCRIPTION	DATE	DWN	APVD
ES	00	SEE SHEET 1	-	-	-

⚠ MATERIAL:
 ① SHELL- STAINLESS STEEL
 CONTACTS- COPPER ALLOY.
 HOUSING: UL 94V-0 RATED, THERMOPLASTIC, COLOR SEE TABLE.

⚠ PLATING:
 CONTACTS: 0.076 μm MINIMUM GOLD OVER 0.76 μm MINIMUM PALLADIUM-NICKEL ON MATING AREA.
 3.8 μm MINIMUM MATTE TIN ON SOLDER TAILS.
 BOTH OVER 1.27 μm MINIMUM NICKEL.
 CONTACT ALTERNATE PLATING: 0.76 μm MIN GOLD ON MATING AREA, 3.80 μm MIN MATTE TIN ON SOLDER TAILS, BOTH OVER 1.27 μm MIN NICKEL.
 SHELL: 2~5 μm MINIMUM BRIGHT TIN

⚠ RECOMMENDED PC BOARD THICKNESS OF 1.42.

RECOMMENDED PC BOARD MOUNTING LAYOUT ⚠
 (TOLERANCE= ± 0.05)

YES	BLACK	3-292303-1 (E10)
YES	BLACK	1-292303-1
YES	NATURAL	292303-7
HIGH TEMPERATURE COMPATIBLE	HOUSING COLOR	PART NUMBER

THIS DRAWING IS A CONTROLLED DOCUMENT.		DWN	19FEB04	TE Connectivity	
DIMENSIONS: mm		CHK <td>19FEB04 <td colspan="2" rowspan="2"> </td> </td>	19FEB04 <td colspan="2" rowspan="2"> </td>		
TOLERANCES UNLESS OTHERWISE SPECIFIED:		APVD <td>19FEB04 </td>	19FEB04		
0 PLC	$\pm -$	NAME		RECEPTACLE ASSEMBLY RIGHT	
1 PLC	$\pm -$	PRODUCT SPEC		ANGLE, 4 POSITION, T/H & SMT	
2 PLC	± 0.25	APPLICATION SPEC		USB, LEAD FREE VERSION	
3 PLC	$\pm -$	SIZE	CAGE CODE	DRAWING NO	RESTRICTED TO
4 PLC	$\pm -$	WEIGHT	A2	00779	C=292303
ANGLES	$\pm -$	CUSTOMER DRAWING	SCALE	5:1	SHEET 2 OF 4
FINISH	⚠				REV E12

1471-9 (3/11)

292303

B

A

4

3

2

1

THIS DRAWING IS UNPUBLISHED.

RELEASED FOR PUBLICATION

ALL RIGHTS RESERVED.

© COPYRIGHT - By -

LOC
ESDIST
00

REVISIONS

P	LTR	DESCRIPTION	DATE	DWN	APVD
-	-	SEE SHEET 1	-	-	-

PC BOARD MOUNTING DIMENSIONS $\Delta 4$

$\Delta 1$ MATERIAL:
 $\Delta 1$ SHELL- STAINLESS STEEL.
 CONTACTS- COPPER ALLOY.
 HOUSING: UL 94V-0 RATED, THERMOPLASTIC, COLOR SEE TABLE.

$\Delta 2$ PLATING:
 CONTACTS: 0.076 μm MINIMUM GOLD OVER 0.76 μm MINIMUM PALLADIUM-NICKEL ON MATING AREA.
 3.8 μm MINIMUM MATTE TIN ON SOLDER TAILS.
 BOTH OVER 1.27 μm MINIMUM NICKEL.
 CONTACT ALTERNATE PLATING: 0.76 μm MIN GOLD ON MATING AREA, 3.80 μm MIN MATTE TIN ON SOLDER TAILS, BOTH OVER 1.27 μm MIN NICKEL.
 SHELL: 2~5 μm MINIMUM BRIGHT TIN

$\Delta 3$ DATUM AND BASIC DIMENSIONS ESTABLISHED BY CUSTOMER.
 $\Delta 4$ RECOMMENDED PC BOARD THICKNESS OF 1.2.

NO	NATURAL	292303-8
HIGH TEMPERATURE COMPATIBLE	HOUSING COLOR	PART NUMBER

THIS DRAWING IS A CONTROLLED DOCUMENT.		DWN J.JIANG 19FEB04	STE TE Connectivity	
DIMENSIONS: mm		CHK S.YAO 19FEB04		
TOLERANCES UNLESS OTHERWISE SPECIFIED:		APVD T.SASAKI 19FEB04	NAME	
0 PLC \pm -		PRODUCT SPEC	RECEPTACLE ASSEMBLY RIGHT	
1 PLC \pm -		108-60034	ANGLE, 4 POSITION, T/H & SMT	
2 PLC \pm 0.25		APPLICATION SPEC	USB, LEAD FREE VERSION	
3 PLC \pm -		SIZE	CAGE CODE	DRAWING NO
4 PLC \pm -		WEIGHT	A2 00779	C=292303
ANGLES \pm -		CUSTOMER DRAWING	SCALE	SHEET
FINISH		RESTRICTED TO	5:1	3 OF 4
$\Delta 1$		REV	E12	

1471-9 (3/11)

292303

B

A

4

3

2

1

THIS DRAWING IS UNPUBLISHED. RELEASED FOR PUBLICATION
 © COPYRIGHT - By - ALL RIGHTS RESERVED.

LOC		DIST		REVISIONS			
P	LTR	DESCRIPTION	DATE	DWN	APVD		
ES	00	SEE SHEET 1	-	-	-		

RECOMMENDED MOUNTING PANEL CUTOUT

⚠ MATERIAL:
 Ⓜ SHELL- STAINLESS STEEL.
 CONTACTS- COPPER ALLOY.
 HOUSING: UL 94V-0 RATED, THERMOPLASTIC, COLOR SEE TABLE.

⚠ PLATING:
 CONTACTS: 0.076 μm MINIMUM GOLD OVER 0.76 μm MINIMUM PALLADIUM-NICKEL ON MATING AREA.
 3.8 μm MINIMUM MATTE TIN ON SOLDER TAILS.
 BOTH OVER 1.27 μm MINIMUM NICKEL.
 CONTACT ALTERNATE PLATING: 0.76 μm MIN GOLD ON MATING AREA, 3.80 μm MIN MATTE TIN ON SOLDER TAILS, BOTH OVER 1.27 μm MIN NICKEL.
 SHELL: 2~5 μm MINIMUM BRIGHT TIN

⚠ PANEL IS NEEDED FOR CUSTOMER.
 ⚠ THIS P/N IS PRELIMINARY.

RECOMMENDED PC BOARD MOUNTING LAYOUT (TOLERANCE=±0.05)

YES	BLACK	1-292303-6 ⚠
YES	NATURAL	292303-9
HIGH TEMPERATURE COMPATIBLE	HOUSING COLOR	PART NUMBER

THIS DRAWING IS A CONTROLLED DOCUMENT.		DWN J.JIANG 19FEB04		
DIMENSIONS: mm		CHK S.YAO 19FEB04		
TOLERANCES UNLESS OTHERWISE SPECIFIED:		APVD T.SASAKI 19FEB04	NAME	
0 PLC ± -	1 PLC ± -	PRODUCT SPEC	RECEPTACLE ASSEMBLY RIGHT	
2 PLC ± 0.25	3 PLC ± -	108-60034	ANGLE, 4 POSITION, T/H & SMT	
4 PLC ± -	ANGLES ± -	APPLICATION SPEC	USB, LEAD FREE VERSION	
MATERIAL ⚠	FINISH ⚠	WEIGHT -	SIZE A2	RESTRICTED TO -
		CUSTOMER DRAWING	CAGE CODE 00779	DRAWING NO C=292303
			SCALE 5:1	SHEET 4 OF 4 REV E12

1471-9 (3/11)

292303

A



Компания «ЭлектроПласт» предлагает заключение долгосрочных отношений при поставках импортных электронных компонентов на взаимовыгодных условиях!

Наши преимущества:

- Оперативные поставки широкого спектра электронных компонентов отечественного и импортного производства напрямую от производителей и с крупнейших мировых складов;
- Поставка более 17-ти миллионов наименований электронных компонентов;
- Поставка сложных, дефицитных, либо снятых с производства позиций;
- Оперативные сроки поставки под заказ (от 5 рабочих дней);
- Экспресс доставка в любую точку России;
- Техническая поддержка проекта, помощь в подборе аналогов, поставка прототипов;
- Система менеджмента качества сертифицирована по Международному стандарту ISO 9001;
- Лицензия ФСБ на осуществление работ с использованием сведений, составляющих государственную тайну;
- Поставка специализированных компонентов (Xilinx, Altera, Analog Devices, Intersil, Interpoint, Microsemi, Aeroflex, Peregrine, Syfer, Eurofarad, Texas Instrument, Miteq, Cobham, E2V, MA-COM, Hittite, Mini-Circuits, General Dynamics и др.);

Помимо этого, одним из направлений компании «ЭлектроПласт» является направление «Источники питания». Мы предлагаем Вам помощь Конструкторского отдела:

- Подбор оптимального решения, техническое обоснование при выборе компонента;
- Подбор аналогов;
- Консультации по применению компонента;
- Поставка образцов и прототипов;
- Техническая поддержка проекта;
- Защита от снятия компонента с производства.



Как с нами связаться

Телефон: 8 (812) 309 58 32 (многоканальный)

Факс: 8 (812) 320-02-42

Электронная почта: org@eplast1.ru

Адрес: 198099, г. Санкт-Петербург, ул. Калинина, дом 2, корпус 4, литера А.