

PLEASE CHECK WWW.MOLEX.COM FOR LATEST PART INFORMATION

Part Number: [0527451297](#)
Status: **Active**
Overview:
Description: 0.50mm (.020") Pitch FFC/FPC Connector, Right Angle, SMT, ZIF, Top Contact Style, 12 Circuits, Lead-free, Gold (Au) Contact Plating, High Barrier Packaging

Agency Certification

UL E29179

General

Product Family FFC/FPC Connectors
 Series 52745
 Overview ffc_fpc_smt
 Product Name N/A

Physical

Circuits (Loaded) 12
 Color - Resin Black, White
 Contact Position Top
 Durability (mating cycles max) 20
 Entry Angle 90° Angle
 Flammability 94V-0
 Mated Height (in) 0.079 In
 Mated Height (mm) 2.00 mm
 Material - Metal Phosphor Bronze
 Material - Plating Mating Gold
 Material - Plating Termination Gold
 Number of Rows 1
 Orientation Right Angle
 PCB Locator No
 PCB Retention Yes
 Packaging Type Embossed Tape on Reel
 Pitch - Mating Interface (in) 0.020 In
 Pitch - Mating Interface (mm) 0.50 mm
 Polarized to PCB Yes
 Stackable No
 Temperature Range - Operating -20°C to +85°C
 Termination Interface: Style Surface Mount
 Wire/Cable Type FFC/FPC

Electrical

Current - Maximum per Contact 0.5A
 Voltage - Maximum 50V

Material Info

Reference - Drawing Numbers

Application Specification AS-52745-001
 Packaging Specification SPK-52745-001, SPK-52745-002
 Product Specification PS-52745-051, RPS-52745-052, RPS-52745-056, RPS-52745-060, RPS-52745-061, RPS-52745-062, RPS-52745-063, RPS-52745-064, RPS-52745-065, RPS-52745-066, RPS-52745-068, RPS-52745-071, RPS-52745-072, RPS-52745-074, RPS-52745-075, RPS-52745-077
 Sales Drawing SD-52745-050, SD-52745-051

EU RoHS

ELV and RoHS Compliant

REACH SVHC

Not Reviewed

Halogen-Free Status

Not Reviewed

China RoHS



Need more information on product environmental compliance?

Email productcompliance@molex.com
 For a multiple part number RoHS Certificate of Compliance, [click here](#)

Please visit the [Contact Us](#) section for any non-product compliance questions.

Search Parts in this Series

[52745Series](#)

This document was generated on 06/05/2010

PLEASE CHECK WWW.MOLEX.COM FOR LATEST PART INFORMATION

注記 NOTES

1. 使用材料 MATERIAL

ハウジング : ポリアミド46、ガラス充填、UL94V-0 (白)
 HOUSING : POLYAMIDE46, GLASS FILLED, UL94V-0(WHITE)
 アクチュエータ : ポリフェニレンサルファイド、ガラス充填、UL94V-0 (黒)
 ACTUATOR : POLYPHENYLENE SULFIDE, GLASS FILLED, UL94V-0(BLACK)
 ターミナル : リン青銅 (t=0.2)
 TERMINAL : PHOSPOR BRONZE
 メッキ
 コントクト部: 金メッキ 0.1マイクロメートル以上
 テール部: 金メッキ 0.05マイクロメートル以上
 下地: ニッケル 1.0マイクロメートル以上

PLATED
 CONTACT AREA : GOLD 0.1 MICROMETER MINIMUM
 TAIL AREA : GOLD 0.05 MICROMETER MINIMUM
 UNDER PLATING : NICKEL 1.0 MICROMETER MINIMUM
 金具 : リン青銅、ニッケル下地純銅メッキ (t=0.2)
 FITTING NAIL : PHOSPOR BRONZE, TIN OVER NICKEL PLATING

2. エンボステープ梱包時は、アクチュエータがロックした状態とする。
 IN THE PACKAGE, ACTUATOR OF PART NO. 52745-***59 SHOULD BE LOCKED.
 △ ソルダータール半田付け面のズレ量、及び金具半田付け面のズレ量は、基準面 H に対し上方向 0.1 MAX.、下方向 0.15 MAX. とする。
 MISALIGNMENT OF SOLDER TAILS AND FITTING NAILS FROM H
 UPPER DIRECTION: 0.1 MAX., LOWER DIRECTION: 0.15 MAX.

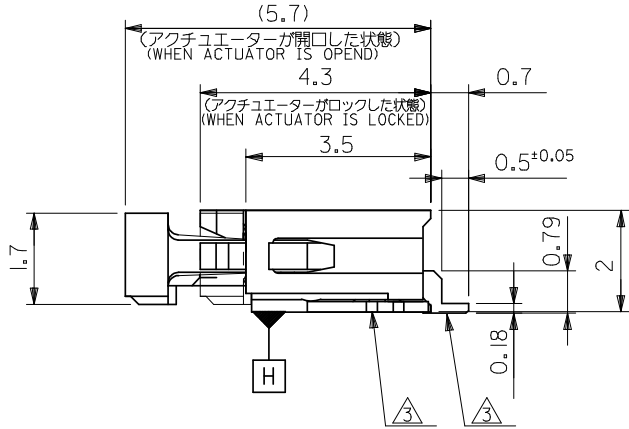
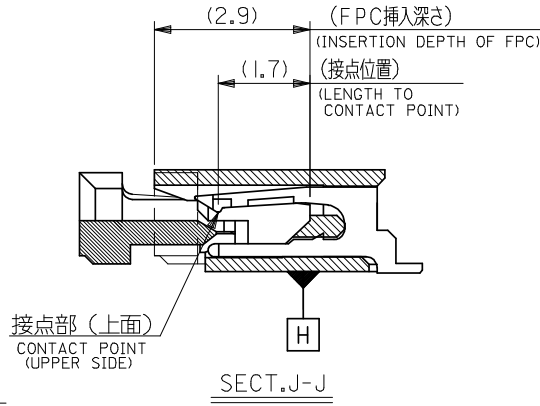
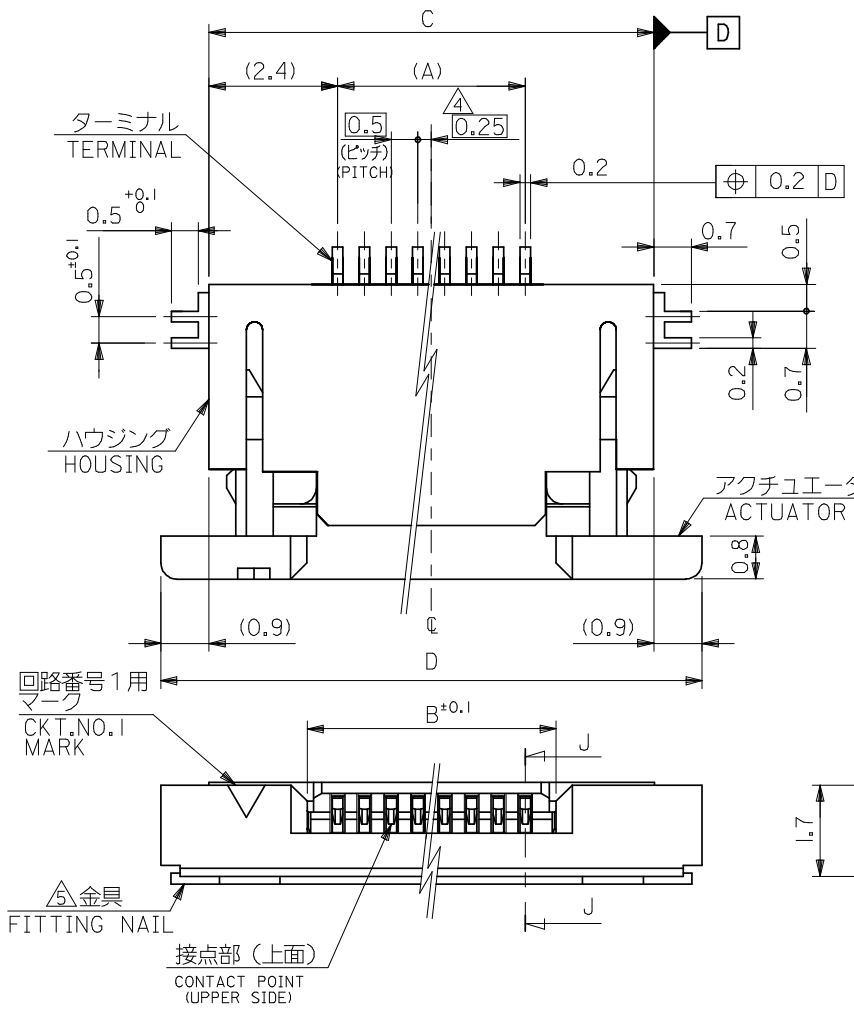
△ 偶数極に適用。
 APPLY FOR EVEN CIRCUIT.

△ パターンはくり止め用金具
 FITTING NAIL FOR PREVENTION OF PEELING
 OF P.C.B. PATTERN.

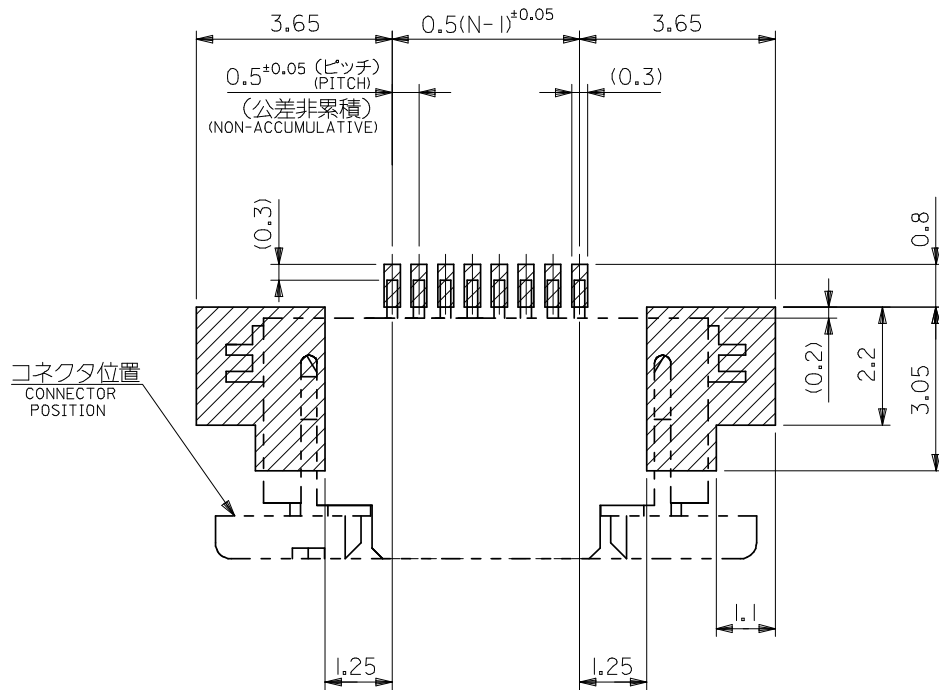
6. 本製品は 54745-***17 の部分金メッキ品である。
 THIS PRODUCT IS SELECTIVE GOLD PLATING OF 52745-***17.

16.1	14.3	10.65	9.5	52745-2097	52745-2059	20
15.6	13.8	10.15	9.0	-1997	-1959	19
15.1	13.3	9.65	8.5	-1897	-1859	18
14.6	12.8	9.15	8.0	-1797	-1759	17
14.1	12.3	8.65	7.5	-1697	-1659	16
13.6	11.8	8.15	7.0	-1597	-1559	15
13.1	11.3	7.65	6.5	-1497	-1459	14
12.6	10.8	7.15	6.0	-1397	-1359	13
12.1	10.3	6.65	5.5	-1297	-1259	12
11.6	9.8	6.15	5.0	-1197	-1159	11
11.1	9.3	5.65	4.5	-1097	-1059	10
10.6	8.8	5.15	4.0	-0997	-0959	9
10.1	8.3	4.65	3.5	-0897	-0859	8
9.6	7.8	4.15	3.0	-0797	-0759	7
9.1	7.3	3.65	2.5	-0697	-0659	6
8.1	6.3	2.65	1.5	52745-0497	52745-0459	4
D	C	B	(A)	EMBOSSED TAPE	MATERIAL NO.	極数
				ORDER No. オーダー番		CIRCUIT

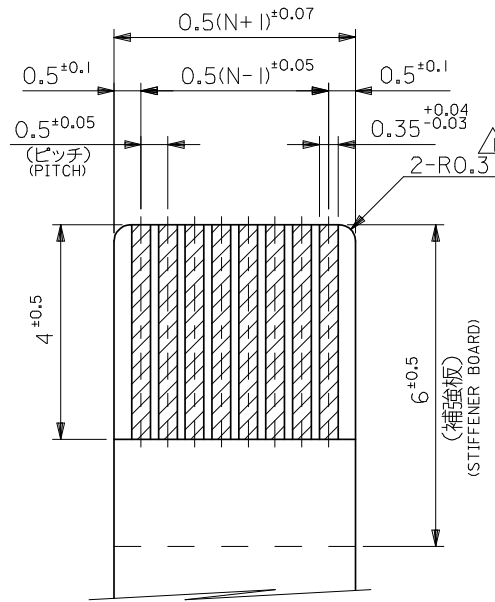
52745-***59 MODEL NO.



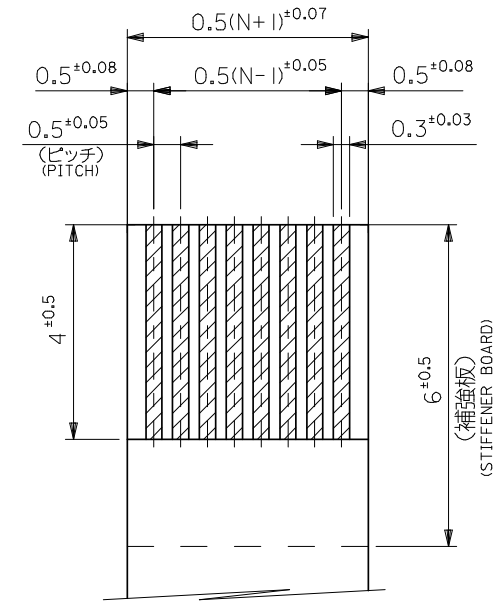
REVISED EC NO: J2008-4308 DRWN: MABEI 2008/06/27 CH'KD: THARUYAMA 2008/06/30 APPR: NUKITA 2008/06/30	DESCRIPTION GENERAL TOLERANCES (UNLESS SPECIFIED) 10 UNDER ±0.2 10 OVER 30 UNDER ±0.25 30 OVER ±0.3 ANGULAR ±3 ° DRAFT WHERE APPLICABLE MUST REMAIN WITHIN DIMENSIONS	DIMENSION STYLE MM ONLY	SCALE ---	DESIGN UNITS METRIC	THIRD ANGLE PROJECTION		
		DRAWN BY M. NABEI	DATE '05/02/14	TITLE 0.5 FPC CONN ASSY ZIF UPR CONT -LEAD FREE-			
		CHECKED BY K. TOJO	DATE '05/02/14	MOLEX INCORPORATED			
		APPROVED BY N. UKITA	DATE '05/02/14	MATERIAL NO. SEE TABLE	DOCUMENT NO. SD-52745-050	SHEET NO. 1 OF 2	
		THIS DRAWING CONTAINS INFORMATION THAT IS PROPRIETARY TO MOLEX INCORPORATED AND SHOULD NOT BE USED WITHOUT WRITTEN PERMISSION					



参考基板レイアウト
P.C.BOARD PATTERN
DIMENSION (REF.)
(マウント面)
(MOUNTING SIDE)



適合FPC推奨寸法
APPLICABLE FPC
RECOMMENDED DIMENSION
(仕上がり厚さ: 0.3±0.03)
(THICKNESS: 0.3±0.03)



適合FFC推奨寸法
APPLICABLE FFC
RECOMMENDED DIMENSION
(仕上がり厚さ: 0.3±0.03)
(THICKNESS: 0.3±0.03)

FPCについて:
打抜き方向は導体側から補強板側を推奨致します。
補強フィルム材質はポリイミドを推奨致します。
接着剤は熱硬化接着剤を推奨致します。

ABOUT FPC:
RECOMMENDED PUNCHER DIRECTION: FROM CONDUCTOR SIDE TO STIFFENER BOARD.
RECOMMENDED MATERIAL:
STIFFENER FILM: POLYIMIDE
BONDING AGENT: THERMOSETTING BONDING AGENT

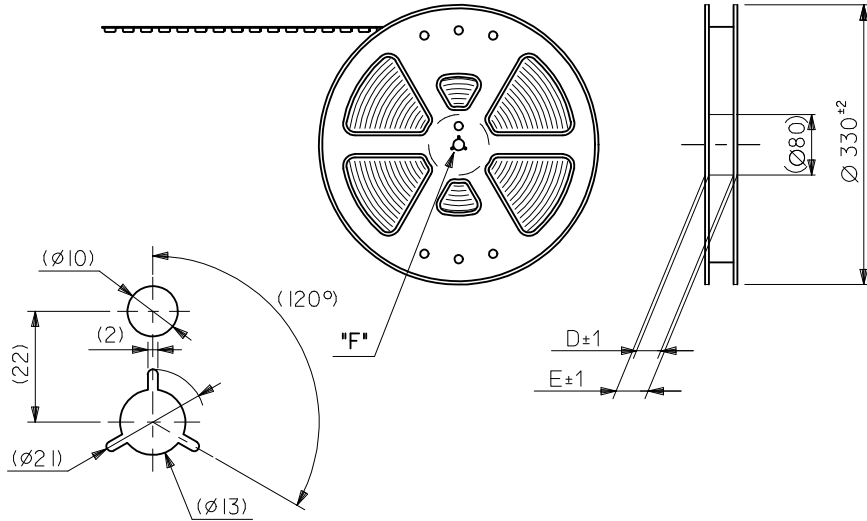
注記 NOTES

△ R0.3は、FPCの導体部にかからないこと。
R0.3 MUST NOT BE OVERLAPPED TO PATTERN OF FPC.

52745-***59 MODEL NO.

REVISED EC NO: J2008-4308 DRWN: NABEI 2008/06/27 CHKD: THARUYAMA 2008/06/30 APPR: NUKITA 2008/06/30	GENERAL TOLERANCES (UNLESS SPECIFIED)		DIMENSION STYLE MM ONLY		SCALE ---	DESIGN UNITS METRIC	THIRD ANGLE PROJECTION	
	10 UNDER	±0.2	DRAWN BY M. NABEI	DATE '05/02/14	TITLE 0.5 FPC CONN ASSY ZIF UPR CONT -LEAD FREE-			
	10 OVER 30 UNDER	±0.25	CHECKED BY K. TOJO	DATE '05/02/14				
	30 OVER	±0.3	APPROVED BY N. UKITA	DATE '05/02/14	MOLEX INCORPORATED			
	ANGULAR	±3 °	MATERIAL NO.	DOCUMENT NO.				
DRAFT WHERE APPLICABLE MUST REMAIN WITHIN DIMENSIONS		SEE SHEET 1		SD-52745-050				
SIZE A3 THIS DRAWING CONTAINS INFORMATION THAT IS PROPRIETARY TO MOLEX INCORPORATED AND SHOULD NOT BE USED WITHOUT WRITTEN PERMISSION								

引き出し方向
←
PULL OUT
DIRECTION



DETAIL "F"

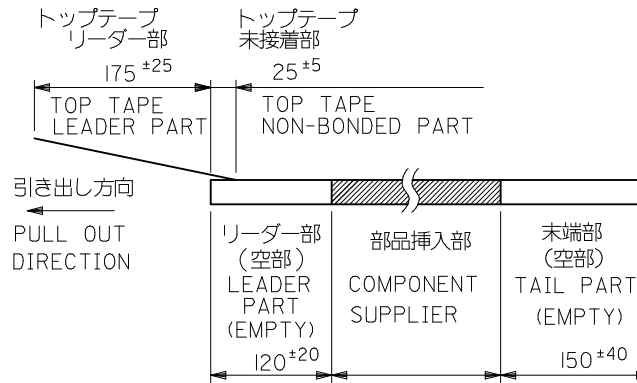
5. 材料 キャリアテープ:ポリプロピレン (PP)
 トップテープ:PET, PE, PEF
 リール:ポリスチレン (PS) <リサイクル材を含む>
 MATERIAL CARRIER TAPE:POLYPROPYLENE
 TOP TAPE:PET,PE,PEF
 REEL:POLYSTYRENE(PS)
 <RECYCLE MATERIAL CONTAINED>

6. 本製品は 52745- **90 の鉛フリー品である。
 THIS PRODUCT IS LEAD FREE OF 52745-**90

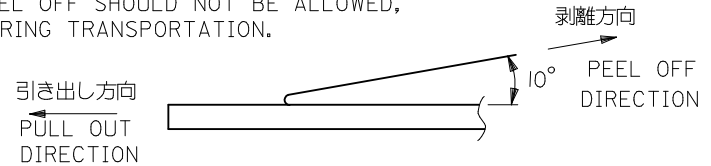
7. 本製品は乾燥剤入り、ハイバリア梱包仕様である。
 THIS PRODUCT IS HIGH BARRIER PACKAGE WITH DESICCANT.

注記 NOTES

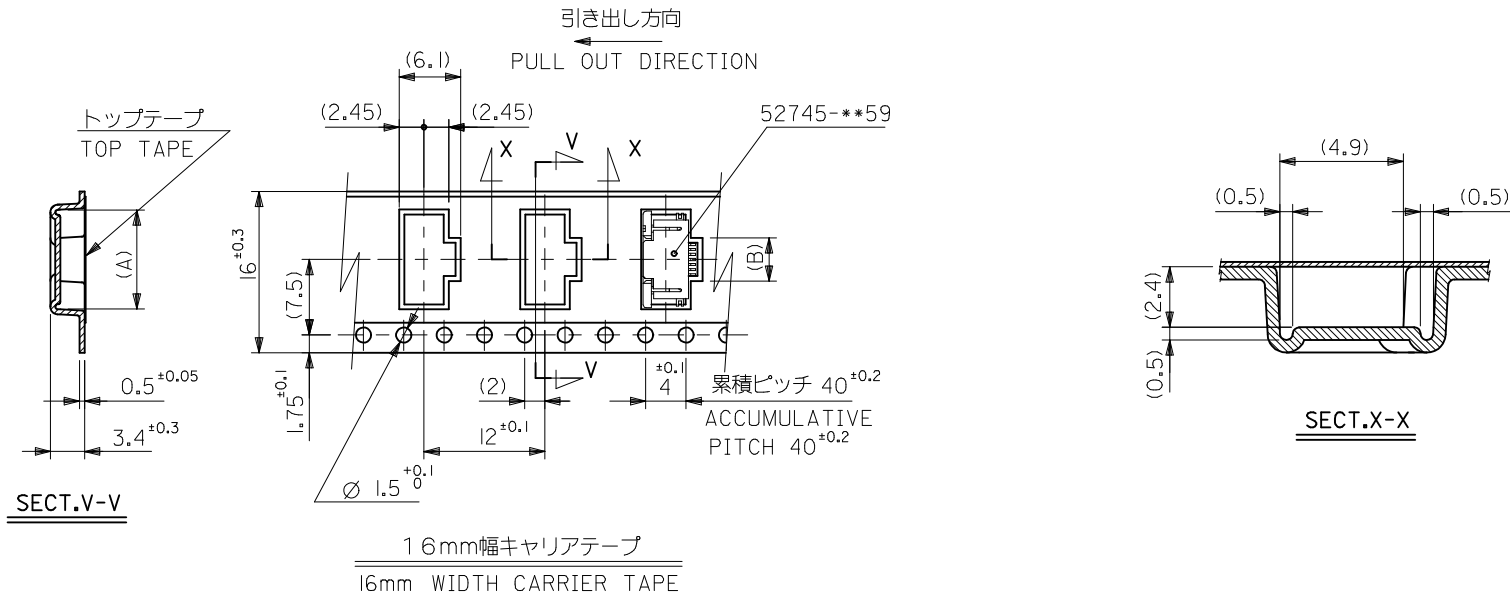
- 製品番号 52745-**59 の梱包状態はアクチュエータがロックした状態とする。
 詳細寸法については図面 SD-52745-050 を参照下さい。
 IN THE PACKAGE,ACTUATOR OF PART NO.52745-**59 SHOULD BE LOCKED RE DETAILED DIMENSIONS,SEE SD-52745-050.
- 梱包数量:1000個/リール
 NUMBER OF CONNECTORS:1000PCS/REEL
- リードテープ長さ LEAD TAPE LENGTH



- トップテープの剥離強度:(剥離方向は下図参照)
 0.1N~1.3N(10gf~130gf)尚、本規格値は、出荷時に適用。
 (但し、輸送時に剥離が発生しない事。)
 PEELING OFF FORCE OF TOP TAPE:
 0.1N~1.3N(10gf~130gf)(PEELING DIRECTION AS SHOWN IN FOLLOWING FIG.)
 THIS REQUIREMENT SHOULD BE APPLIED AT SHIPMENT
 PEEL OFF SHOULD NOT BE ALLOWED,
 DURING TRANSPORTATION.



REVISED EC NO: J2009-2061 DRWN:TKON 2009/05/20 CHKD:HATSUMOTO 2009/05/21 APPR:NUKITA 2009/05/21	DESCRIPTION A	GENERAL TOLERANCES (UNLESS SPECIFIED)		DIMENSION STYLE MM ONLY		SCALE ---	DESIGN UNITS METRIC	52745-**97 MODEL NO.	
		10 UNDER	±---	DRAWN BY M.NABEI	DATE '05/02/14	TITLE 0.5 FPC CONN UPR CONT EMBSTP PKG -LEAD FREE-			
		10 OVER 30 UNDER	±---	CHECKED BY K.TOJO	DATE '05/02/14	MOLEX INCORPORATED			
		30 OVER	±---	APPROVED BY N.UKITA	DATE '05/02/14	MATERIAL NO. SEE TABLE		DOCUMENT NO. SD-52745-051	SHEET NO. 1 OF 3
ANGULAR ±---°		DRAFT WHERE APPLICABLE MUST REMAIN WITHIN DIMENSIONS		THIS DRAWING CONTAINS INFORMATION THAT IS PROPRIETARY TO MOLEX INCORPORATED AND SHOULD NOT BE USED WITHOUT WRITTEN PERMISSION					



16	21.4	17.4	2.8	8.4	52745-0497	4
キャリアテープ幅 CARRIER TAPE WIDTH	E	D	(B)	(A)	MATERIAL NO.	極数 CIRCUIT

REVISED EC NO.: J2009-2061 DRWN:TKGN 2009/05/20 CHKD:HMATSUMOTO 2009/05/21 APPR:NUKITA 2009/05/21	DESCRIPTION	GENERAL TOLERANCES (UNLESS SPECIFIED)	DIMENSION STYLE MM ONLY	SCALE ---	DESIGN UNITS METRIC	THIRD ANGLE PROJECTION
	REV	10 UNDER ±---	DRAWN BY M. NABEI	DATE '05/02/14	TITLE 0.5 FPC CONN UPR CONT EMBSTP PKG -LEAD FREE-	
		10 OVER 30 UNDER ±---	CHECKED BY K. TOJO	DATE '05/02/14	APPROVED BY N. UKITA	
		30 OVER ±---	APPROVED BY N. UKITA	DATE '05/02/14	MATERIAL NO. SEE TABLE	
		ANGULAR ±--- °	MATERIAL NO. SEE TABLE		DOCUMENT NO. SD-52745-051	
	DRAFT WHERE APPLICABLE MUST REMAIN WITHIN DIMENSIONS	SIZE A3		THIS DRAWING CONTAINS INFORMATION THAT IS PROPRIETARY TO MOLEX INCORPORATED AND SHOULD NOT BE USED WITHOUT WRITTEN PERMISSION		



Компания «ЭлектроПласт» предлагает заключение долгосрочных отношений при поставках импортных электронных компонентов на взаимовыгодных условиях!

Наши преимущества:

- Оперативные поставки широкого спектра электронных компонентов отечественного и импортного производства напрямую от производителей и с крупнейших мировых складов;
- Поставка более 17-ти миллионов наименований электронных компонентов;
- Поставка сложных, дефицитных, либо снятых с производства позиций;
- Оперативные сроки поставки под заказ (от 5 рабочих дней);
- Экспресс доставка в любую точку России;
- Техническая поддержка проекта, помощь в подборе аналогов, поставка прототипов;
- Система менеджмента качества сертифицирована по Международному стандарту ISO 9001;
- Лицензия ФСБ на осуществление работ с использованием сведений, составляющих государственную тайну;
- Поставка специализированных компонентов (Xilinx, Altera, Analog Devices, Intersil, Interpoint, Microsemi, Aeroflex, Peregrine, Syfer, Eurofarad, Texas Instrument, Miteq, Cobham, E2V, MA-COM, Hittite, Mini-Circuits, General Dynamics и др.);

Помимо этого, одним из направлений компании «ЭлектроПласт» является направление «Источники питания». Мы предлагаем Вам помощь Конструкторского отдела:

- Подбор оптимального решения, техническое обоснование при выборе компонента;
- Подбор аналогов;
- Консультации по применению компонента;
- Поставка образцов и прототипов;
- Техническая поддержка проекта;
- Защита от снятия компонента с производства.



Как с нами связаться

Телефон: 8 (812) 309 58 32 (многоканальный)

Факс: 8 (812) 320-02-42

Электронная почта: org@eplast1.ru

Адрес: 198099, г. Санкт-Петербург, ул. Калинина, дом 2, корпус 4, литера А.