

## DESCRIPTION

Demonstration circuit 1513 is an evaluation board featuring Linear Technology Corporation's LTM<sup>®</sup>9004 14-bit direct conversion receiver subsystem. DC1513 demonstrates good circuit layout techniques and recommended external circuitry for optimal system performance.

DC1513 comes with Linear Technology's 14-bit LTM9004 receiver subsystem installed. The board includes output CMOS buffers. DC1513 plugs into the DC890 data

acquisition demo board and the output can be easily analyzed with Linear Technology's PScope<sup>™</sup> data processing software, which is available for no charge on our website at <http://www.linear.com/software>.

**Design files for this circuit board are available at <http://www.linear.com/demo>**

LT, LT, LTC, LTM, Linear Technology and the Linear logo are registered trademarks and PScope is a trademark of Linear Technology Corporation. All other trademarks are the property of their respective owners.

**Table 1. DC1513B Variants**

DC1513B VARIANTS	RESOLUTION	MAXIMUM SAMPLE RATE	BASEBAND BANDWIDTH
1513B-AA	14-Bit	125Msps	DC - 1.92MHz
1513B-AB	14-Bit	125Msps	DC - 4.42MHz
1513B-AC	14-Bit	125Msps	DC - 9.42MHz
1513B-AD	14-Bit	125Msps	DC - 20MHz

## QUICK START PROCEDURE

Validating the performance of the LTM9004 is simple with DC1513, and requires only two input sources, a clock source, a computer, and a lab power supply. Refer to Figure 1 for proper board evaluation equipment setup and follow the procedure below:

1. Connect the power supply as shown in Figure 1. There are onboard low noise voltage regulators that provide the two supply voltages for the DC1513. The entire board and all components share a common ground. The power supply should still be a low noise lab power supply capable of supplying at least 0.5A at 5VDC, and 1A at 3VDC.
2. Provide an encode clock to the ADC via SMA connector J7. Use a low-phase-noise clock source such as a filtered RF signal generator or a high quality clock oscillator.

**NOTE:** Similar to having a noisy input, a high jitter (phase noise) encode clock will degrade the signal-to-noise ratio (SNR) of the system.

**Table 2. DC1513 Connectors and Jumpers**

REFERENCE	FUNCTION
J3 (SHDN)	Enables/Disables the ADC. Default Is ON.
J4 (MODE)	Output Format and Clock Duty Stabilizer Pin. Default Is VDD.
J5 (SHDN_AMP)	Enables/Disables the Amplifiers. Default Is ON.
J6 (LO)	Board LO Signal Input. Impedance Matched to 50Ω for Use with Lab Signal Generators.
J7 (CLK)	Board Clock Input. Impedance Matched to 50Ω. Drive with a Low-Phase-Noise Clock Oscillator or Filtered Sine Wave Signal Source.
J8 (MIXER ENABLE)	Enables/Disables the RF Mixer. Default Is ON.
J11 (RF)	Board RF Signal Input. Impedance Matched to 50Ω for Use with Lab Signal Generators.
TP1 (SENSE_I)	Reference Input to Adjust the Full-Scale Range of the DC1513, I-Channel. Default Is VDD.
TP2 (GND)	DC Ground.
TP4 (GND)	DC Ground.
TP5 (3V)	DC Supply Input (3VDC).
TP7 (5V)	DC Supply Input (5VDC).
TP8 (GND)	DC Ground.
TP12 (SENSE_Q)	Reference Input to Adjust the Full-Scale Range of the DC1513, Q-Channel. Default Is VDD.

dc1513bf

## QUICK START PROCEDURE

3. Apply an RF input signal to the board. For best results, use a low distortion, low noise signal generator with sufficient filtering to avoid degrading the performance of the receiver.
4. Apply an LO input signal to the board. Note that the difference in frequency between this signal and the RF signal will be the IF frequency resulting at the IF filter and ADC input.
5. Observe the ADC output with demo circuit DC890B, a USB cable, a Windows computer, and Linear Technology's PScope data processing software.

**NOTE:** EVEN A HIGH QUALITY SIGNAL SYNTHESIZER WILL STILL HAVE NOISE AND HARMONICS THAT SHOULD BE ATTENUATED WITH A LOWPASS OR BANDPASS FILTER. FOR GOOD QUALITY HIGH ORDER FILTERS, SEE TTE, LARK ENGINEERING, OR EQUIVALENT.

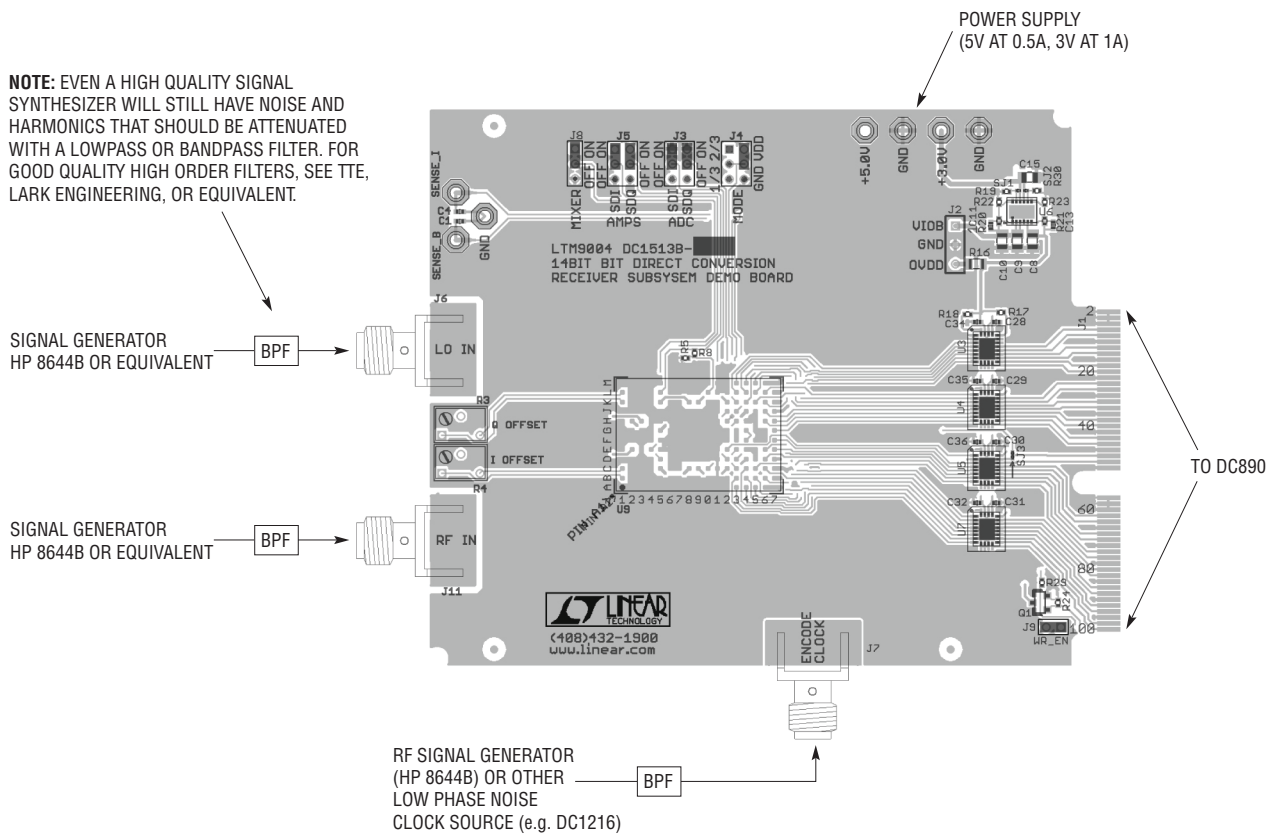


Figure 1. Proper Measurement Equipment Setup

## QUICK START PROCEDURE

### OTHER BOARD CIRCUITRY

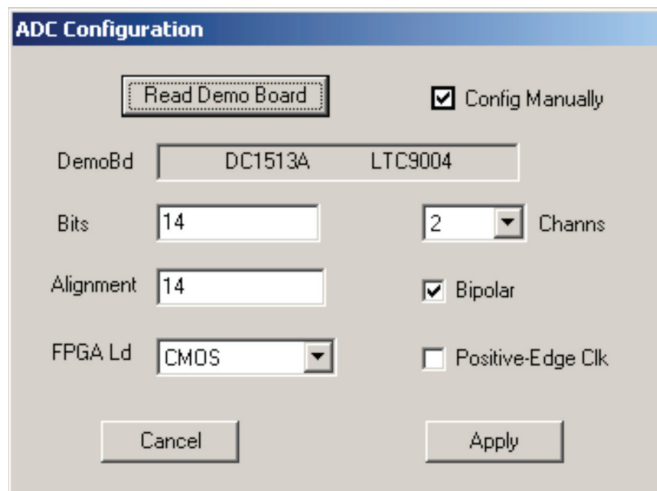
Device U1 is an EEPROM device that is used by the PScope software to identify the board and apply the correct settings for the data collection.

### USING PSCOPE SOFTWARE

PScope, downloadable from Linear Technology's website <http://www.linear.com/>, processes data from the DC890 data acquisition board and displays FFT and signal analysis information on the computer screen.

The onboard EEPROM U1 should enable automatic board detection and auto configuration of the software, but if the user wishes to change the settings, they can easily do so.

From the configure menu in the toolbar, uncheck autodetect device. The default settings for DC1513 are shown in Figure 2.



**Figure 2. Entering the Correct Device Information for Your ADC. Select the Correct Parameters for the DC1513. Under Normal Conditions, PScope Should Automatically Recognize the Board and Adjust the Software Settings Accordingly.**

# DEMO MANUAL DC1513B

## PARTS LIST

ITEM	QTY	REFERENCE	PART DESCRIPTION	MANUFACTURER/PART NUMBER
<b>DC1513B</b>				
1	2	C11, C13	CAP, X7R, 1000pF, 16V, 10%, 0402	AVX 0402YC102KAT
2	13	C2, C6, C24, C25, C27 TO C32, C34, C35, C36	CAP, 0402 0.1µF 10% 10V X5R	AVX 0402ZD104KAT2A
3	2	C20, C23	CAP, X7R, 0.1µF, 16V, 10%, 0603	AVX 0603YC104KAT
4	2	C21, C22	CAP, NPO, 100pF, 50V, 5%, 0402	AVX 04025A101JAT2A
5	7	C3, C8 TO C10, C14, C15, C19	CAP, 0805 4.7µF 20% 25V X7R	TAIYO YUDEN TMK212BJ475MG-T
6	0	C1, C4, C5, C12, C16, C18	CAP, 0402, DNI	
7	2	C7, C17	CAP, NPO, 10pF, 50V, 5%, 0402	AVX 04025A100JAT2A
8	3	J3, J4, J5	HEADER, 3 × 2 PIN, 2mm	SAMTEC TMM-103-02-L-D
9	3	J6, J7, J11	CONN, SMA 50Ω EDGE-LANCH	E.F. JOHNSON, 142-0701-851
10	1	J8	HEADER, 3 × 1 PIN, 2mm	SAMTEC TMM-103-02-L-S
11	1	J9	HEADER, 2 × 1 PIN, 2mm	SAMTEC TMM-102-02-L-S
12	7	JP1 TO JP7	SHUNT	SAMTEC, 2SN-BK-G
13	1	L1	FERRITE BEAD, 60Ω, 0603	MURATA BLM18PG600SN1D
14	1	Q1	XSTR, MOSFET, SOT23	DIODES/ZETEX 2N7002-7-F
15	9	R1, R2, R12, R14, R33, R34	RES, 0402 1k 1% 1/16W	NIC NRC04F1001TRF
16	2	R36, R37, R42, R10, R15	RES, 0402 33.2Ω 1% 1/16W	NIC NRC04F33R2TRF
17	1	R13	RES, 0402 49.9Ω 1% 1/16W	NIC NRC04F49R9TRF
18	1	R16	RES, 0805 0Ω JUMPER	VISHAY CRCW08050000Z0EA
19	5	R19, R21, R22, R24, R30	RES, 0402 100k 1% 1/16W	VISHAY CRCW0402100KFKE
20	1	R20	RES, 0402 75k 1% 1/16W	VISHAY CRCW040275K0FKED
21	0	R23, R27, R28	RES, 0402, DNI	
22	2	R3, R4	POT, 10k, TOP ADJUSTMENT, THROUGH HOLE	BOURNS 3262W-1-103LF
23	1	R39	RES, 0402 10k 1% 1/16W	VISHAY CRCW040210K0FKED
24	2	R6, R7	RES, 0402 4.75k 1% 1/16W	VISHAY CRCW04024K75FKED
25	8	R8, R11, R17, R18, R25, R26, R29, R43	RES, 0402 4.99k 1% 1/16W	VISHAY CRCW04024K99FKED
26	7	TP1, TP2, TP4, TP5, TP7, TP8, TP12	TURRET	MILL-MAX, 2308-2-00-80-00-00-07-0
27	1	U1	IC, SERIAL EEPROM, TSSOP	MICROCHIP 24LC025-I/ST
28	2	U2, U8	IC, LOGIC, INV, UNBUFFERED SC70	FAIRCHILD NC7SVU04P5X
29	4	U3, U4, U5, U7	IC, BUS BUF LVL XLATE CMOS, OCTAL, DFN 8mm × 4mm	FAIRCHILD FXLH42245MPX
30	1	U6	IC, DFN12, VREG, DUAL, 500MA, 100MA	LINEAR TECHNOLOGY LT3024IDE#PBF
31	4		HW, SPACER, NYLON, 0.25"	KEYSTONE 8831
<b>DC1513B-AA</b>				
1	1	DC1513B	GENERAL BOM	
2	1	R31	RES, 0603 0Ω JUMPER	VISHAY CRCW06030000Z0EA
3	0	R32	RES, 0603 DNI	
4	0	R5, R9	RES, 0402 DNI	
5	1	U9	LTM9004CV-AA	LINEAR TECHNOLOGY LTM9004CV-AA#PBF
6	1		FAB, PRINTED CIRCUIT BOARD	DEMO CIRCUIT 1513B

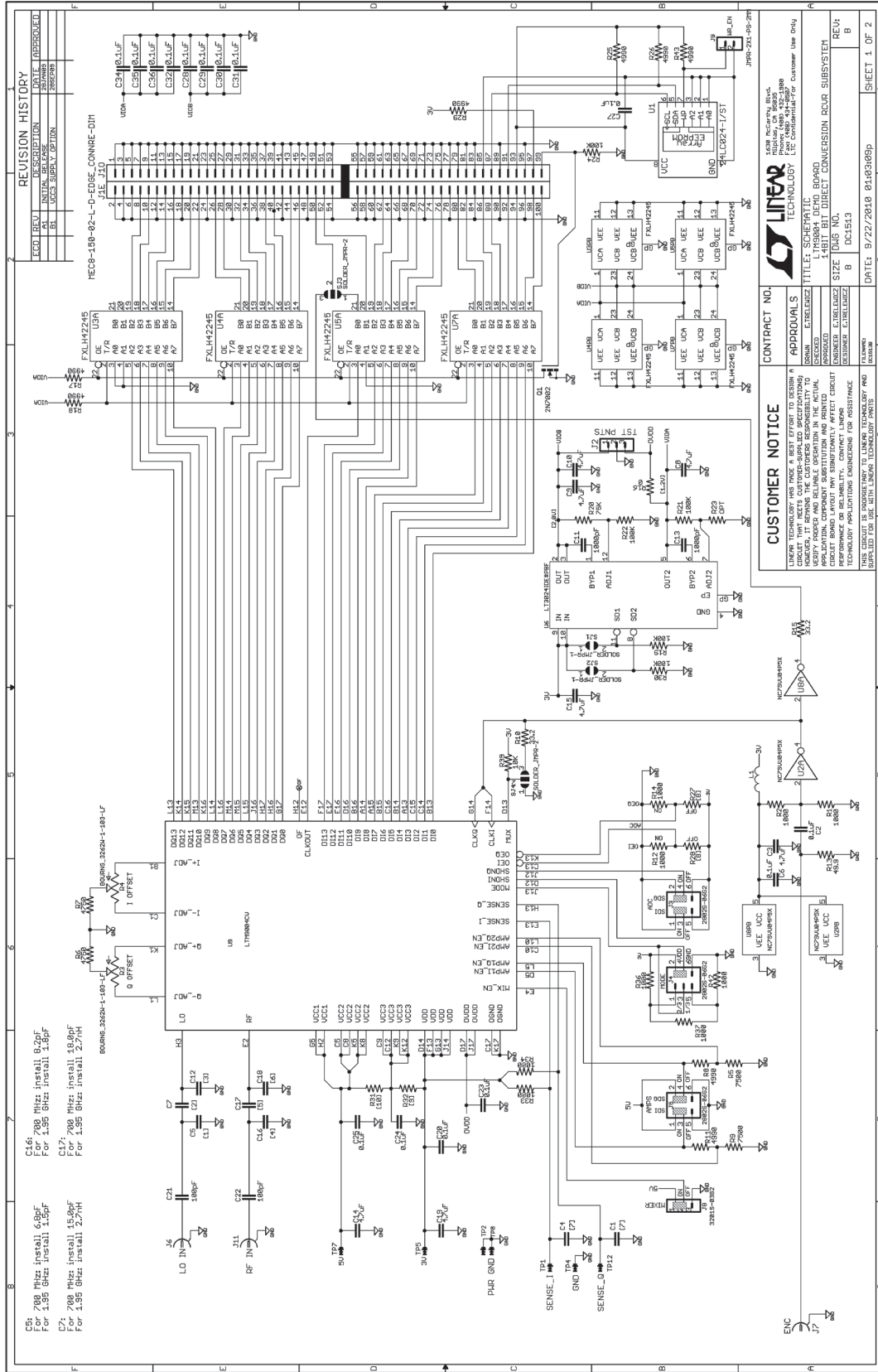
dc1513bf

## PARTS LIST

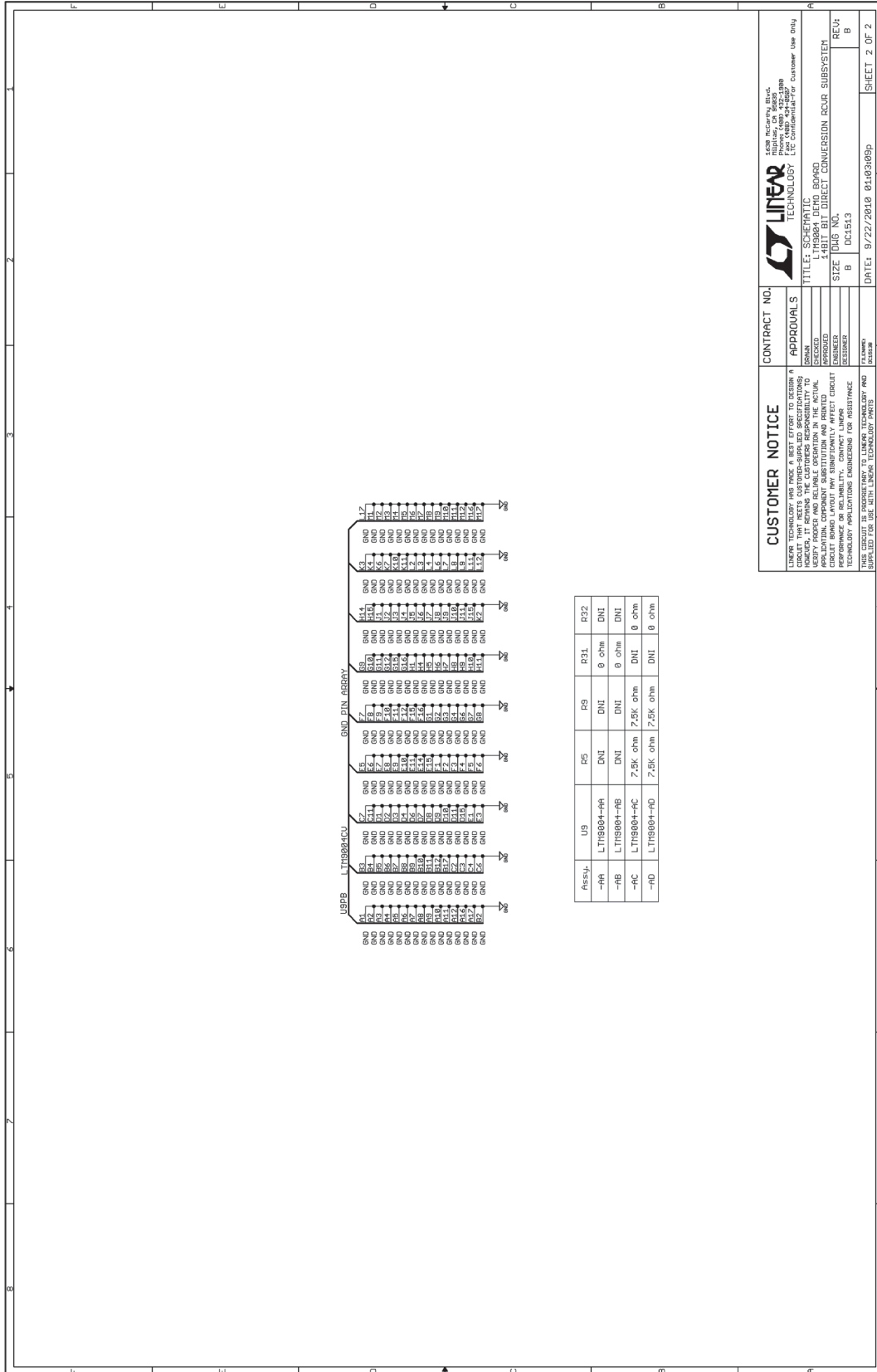
ITEM	QTY	REFERENCE	PART DESCRIPTION	MANUFACTURER/PART NUMBER
<b>DC1513B-AB</b>				
1	1	DC1513B	GENERAL BOM	
2	1	R31	RES, 0603 0Ω JUMPER	VISHAY CRCW06030000Z0EA
3	0	R32	RES, 0603 DNI	
4	0	R5, R9	RES, 0402 DNI	
5	1	U9	LTM9004CV-AB	LINEAR TECHNOLOGY LTM9004CV-AB#PBF
6	1		FAB, PRINTED CIRCUIT BOARD	DEMO CIRCUIT 1513B
<b>DC1513B-AC</b>				
1	1	DC1513B	GENERAL BOM	
2	0	R31	RES, 0603 DNI	
3	1	R32	RES, 0603 0Ω JUMPER	VISHAY CRCW06030000Z0EA
4	2	R5, R9	RES, 0402 7.5k 1% 1/16W	VISHAY CRCW04027K50FKED
5	1	U9	LTM9004CV-AC	LINEAR TECHNOLOGY LTM9004CV-AC#PBF
6	1		FAB, PRINTED CIRCUIT BOARD	DEMO CIRCUIT 1513B
<b>DC1513B-AD</b>				
1	1	DC1513B	GENERAL BOM	
2	0	R31	RES, 0603 DNI	
3	1	R32	RES, 0603 0Ω JUMPER	VISHAY CRCW06030000Z0EA
4	2	R5, R9	RES, 0402 7.5k 1% 1/16W	VISHAY CRCW04027K50FKED
5	1	U9	LTM9004CV-AD	LINEAR TECHNOLOGY LTM9004CV-AD#PBF
6	1		FAB, PRINTED CIRCUIT BOARD	DEMO CIRCUIT 1513B

# DEMO MANUAL DC1513B

## SCHEMATIC DIAGRAM



## SCHEMATIC DIAGRAM



**CUSTOMER NOTICE**  
 LINEAR TECHNOLOGY HAS MADE A BEST EFFORT TO DESIGN A SCHEMATIC THAT IS ACCURATE AND RELIABLE. HOWEVER, IT REMAINS THE CUSTOMER'S RESPONSIBILITY TO VERIFY PROPER AND RELIABLE OPERATION IN THE ACTUAL HARDWARE. IT REMAINS THE CUSTOMER'S RESPONSIBILITY TO VERIFY THAT THE SCHEMATIC IS CORRECT AND THAT THE CIRCUIT BOARD LAYOUT WILL SIGNIFICANTLY AFFECT CIRCUIT PERFORMANCE OR RELIABILITY. CONTACT YOUR SALES REPRESENTATIVE FOR ASSISTANCE.  
 THIS CIRCUIT IS PROVIDED ONLY AS A REFERENCE AND IS NOT GUARANTEED TO BE THE FINAL DESIGN. IT IS SUPPLIED FOR USE WITH LINEAR TECHNOLOGY PARTS.

**CONTRACT NO.**  
 APPROVALS  
 DESIGNER: [Signature]  
 CHECKED: [Signature]  
 DESIGNER: [Signature]  
 DESIGNER: [Signature]

**LINEAR TECHNOLOGY**  
 1650 ACCORD BLVD.  
 MILPITAS, CA 95035-5080  
 PHONE: (408) 432-3880  
 FAX: (408) 432-3890  
 E-MAIL: CUSTOMER\_SUPPORT@LINEAR.COM

**TITLE:** SCHEMATIC  
**LT19804** DEMO BOARD  
**DIRT CONVERSION ACUR SUBSYSTEM**  
**SIZE:** D1513B NOL  
**REV:** B  
**DATE:** DC1513  
**DRAWN:** 9/22/2010 01:03:00p  
**SHEET 2 OF 2**



Information furnished by Linear Technology Corporation is believed to be accurate and reliable. However, no responsibility is assumed for its use. Linear Technology Corporation makes no representation that the interconnection of its circuits as described herein will not infringe on existing patent rights.

# DEMO MANUAL DC1513B

---

## DEMONSTRATION BOARD IMPORTANT NOTICE

Linear Technology Corporation (LTC) provides the enclosed product(s) under the following **AS IS** conditions:

This demonstration board (DEMO BOARD) kit being sold or provided by Linear Technology is intended for use for **ENGINEERING DEVELOPMENT OR EVALUATION PURPOSES ONLY** and is not provided by LTC for commercial use. As such, the DEMO BOARD herein may not be complete in terms of required design-, marketing-, and/or manufacturing-related protective considerations, including but not limited to product safety measures typically found in finished commercial goods. As a prototype, this product does not fall within the scope of the European Union directive on electromagnetic compatibility and therefore may or may not meet the technical requirements of the directive, or other regulations.

If this evaluation kit does not meet the specifications recited in the DEMO BOARD manual the kit may be returned within 30 days from the date of delivery for a full refund. **THE FOREGOING WARRANTY IS THE EXCLUSIVE WARRANTY MADE BY THE SELLER TO BUYER AND IS IN LIEU OF ALL OTHER WARRANTIES, EXPRESSED, IMPLIED, OR STATUTORY, INCLUDING ANY WARRANTY OF MERCHANTABILITY OR FITNESS FOR ANY PARTICULAR PURPOSE. EXCEPT TO THE EXTENT OF THIS INDEMNITY, NEITHER PARTY SHALL BE LIABLE TO THE OTHER FOR ANY INDIRECT, SPECIAL, INCIDENTAL, OR CONSEQUENTIAL DAMAGES.**

The user assumes all responsibility and liability for proper and safe handling of the goods. Further, the user releases LTC from all claims arising from the handling or use of the goods. Due to the open construction of the product, it is the user's responsibility to take any and all appropriate precautions with regard to electrostatic discharge. Also be aware that the products herein may not be regulatory compliant or agency certified (FCC, UL, CE, etc.).

No License is granted under any patent right or other intellectual property whatsoever. **LTC assumes no liability for applications assistance, customer product design, software performance, or infringement of patents or any other intellectual property rights of any kind.**

LTC currently services a variety of customers for products around the world, and therefore this transaction **is not exclusive**.

**Please read the DEMO BOARD manual prior to handling the product.** Persons handling this product must have electronics training and observe good laboratory practice standards. **Common sense is encouraged.**

This notice contains important safety information about temperatures and voltages. For further safety concerns, please contact a LTC application engineer.

Mailing Address:

Linear Technology  
1630 McCarthy Blvd.  
Milpitas, CA 95035

Copyright © 2004, Linear Technology Corporation





Компания «ЭлектроПласт» предлагает заключение долгосрочных отношений при поставках импортных электронных компонентов на взаимовыгодных условиях!

Наши преимущества:

- Оперативные поставки широкого спектра электронных компонентов отечественного и импортного производства напрямую от производителей и с крупнейших мировых складов;
- Поставка более 17-ти миллионов наименований электронных компонентов;
- Поставка сложных, дефицитных, либо снятых с производства позиций;
- Оперативные сроки поставки под заказ (от 5 рабочих дней);
- Экспресс доставка в любую точку России;
- Техническая поддержка проекта, помощь в подборе аналогов, поставка прототипов;
- Система менеджмента качества сертифицирована по Международному стандарту ISO 9001;
- Лицензия ФСБ на осуществление работ с использованием сведений, составляющих государственную тайну;
- Поставка специализированных компонентов (Xilinx, Altera, Analog Devices, Intersil, Interpoint, Microsemi, Aeroflex, Peregrine, Syfer, Eurofarad, Texas Instrument, Miteq, Cobham, E2V, MA-COM, Hittite, Mini-Circuits, General Dynamics и др.);

Помимо этого, одним из направлений компании «ЭлектроПласт» является направление «Источники питания». Мы предлагаем Вам помощь Конструкторского отдела:

- Подбор оптимального решения, техническое обоснование при выборе компонента;
- Подбор аналогов;
- Консультации по применению компонента;
- Поставка образцов и прототипов;
- Техническая поддержка проекта;
- Защита от снятия компонента с производства.



#### Как с нами связаться

**Телефон:** 8 (812) 309 58 32 (многоканальный)

**Факс:** 8 (812) 320-02-42

**Электронная почта:** [org@eplast1.ru](mailto:org@eplast1.ru)

**Адрес:** 198099, г. Санкт-Петербург, ул. Калинина, дом 2, корпус 4, литера А.