

| LOC |    | DIST |     | REVISIONS             |           |     |      |
|-----|----|------|-----|-----------------------|-----------|-----|------|
| ES  | 00 | P    | LTH | DESCRIPTION           | DATE      | DWN | APVD |
|     |    | J9   |     | REV PER ECR-12-020199 | 22NOV2012 | CZ  | SZ   |
|     |    |      |     |                       |           |     |      |
|     |    |      |     |                       |           |     |      |



|  |  |                  |           |                                |   |
|--|--|------------------|-----------|--------------------------------|---|
| THIS DRAWING IS A CONTROLLED DOCUMENT. |  | DWN<br>D. ZHU    | Z0DEC2007 |                                | TE Connectivity   |
| DIMENSIONS:<br>INCHES                  |  | CHK<br>S. ZHAO   | Z0DEC2007 |                                | NAME<br>VER RECEP ASSEMBLY<br>SHORT GUIDES, PRESS FIT<br>MULTI-BEAM XLE |
| TOLERANCES UNLESS OTHERWISE SPECIFIED: |  | APVD<br>S. ZHAO  | -         | PRODUCT SPEC                   |   |
| 0 PLC ± .01                            |  | PRODUCT SPEC     |           | 108-2292                       |   |
| 2 PLC ± .01                            |  | APPLICATION SPEC |           | 114-13251                      |   |
| 4 PLC ± .0020                          |  | WEIGHT           |           | A100779C=6450860               |   |
| ANGLES ± .2°                           |  | FINISH           |           | SCALE N/A SHEET 1 OF 28 REV K2 |   |
| MATERIAL                               |  | CUSTOMER DRAWING |           | RESTRICTED TO                  |   |

| LOC | DIST | REV | DATE | BY | APPR |
|-----|------|-----|------|----|------|
| ES  | 00   |     |      |    |      |
|     |      |     |      |    |      |
|     |      |     |      |    |      |

- 1 "AMP", PART NUMBER AND DATE CODE TO BE MARKED IN AREA SHOWN  
PARTS UNDER 2.00 LONG MAY BE MARKED ON BOTH SIDES
- 2 MATERIAL: HOUSING - GLASS FILLED HIGH TEMP THERMO PLASTIC, UL94 V-0, BLACK.  
SIGNAL CONTACT - HIGH CONDUCTIVITY COPPER ALLOY  
POWER CONTACT - HIGH CONDUCTIVITY COPPER ALLOY  
LP CONTACT - HIGH CONDUCTIVITY COPPER ALLOY
- 3 CONTACT PLATING - NOBLE METAL PLATING ON CONTACT FUNCTIONAL AREA  
OF POWER AND SIGNAL CONTACTS
- 4 MECHANICAL CONNECTOR KEEP OUT ZONE
- 5 DATUM AND BASIC DIMENSIONS ESTABLISHED BY CUSTOMER
- 6 PCB - ALL HOLE DIAMETERS ARE FINISHED HOLE SIZES
- 7 PCB - 0.0453 ±.0010 DRILLED HOLES PLATED WITH .0003 MIN Sn  
OVER .001 TO .003 Cu PLATING TO ACHIEVE A .040 HOLE
- 8 FOR P/S/LP CONFIGURATION, PLEASE REFER TO SHEET 3.
- 9 FOR LP/S/P CONFIGURATION, PLEASE REFER TO SHEET 3.
- 10 VARIABLE DIMENSIONS SHOW ON TABLE.
- 11 FOR LP/S/LP CONFIGURATION, PLEASE REFER TO SHEET 3.
- 12 SPECIAL DIMENSIONS SEE SHEET 3
- 13 RECOMMEND USING CUSTOMER SUPPLIED SCREWS TO SECURE TO BOARD  
TYCO P/N: 19024-2. RECOMMEND TORQUE IS TBD.  
ASSUMING A CARD THICKNESS OF TBD, FINAL SCREW LENGTH AND CARD THICKNESS ARE FACTORS TO BE  
CONSIDERED IF APPLYING A SCREW FOR AN APPLICATION AND MAY VARY FOR EACH APPLICATION.

| W     | U    | K    | S     | T     | D      | R      | L     | DESCRIPTION          | PART NUMBER |
|-------|------|------|-------|-------|--------|--------|-------|----------------------|-------------|
| 1.850 | .250 | .250 | .170  | 1.690 | .425   | 1.100  | 2.040 | 2P + 24S + 2P        | 5-6450860-2 |
| 1.185 | -    | -    | .1025 | 1.025 | .2725  | .705   | 1.375 | 2LP + 16S + 2LP      | 4-6450860-8 |
| 2.850 | .250 | .250 | .170  | 2.690 | .925   | 1.600  | 3.040 | 4P + 24S + 4P        | 4-6450860-7 |
| 2.150 | .250 | .250 | .170  | 1.990 | .475   | 1.400  | 2.340 | 2P + 32S + 2P        | 4-6450860-6 |
| 2.705 | .115 | .170 | .170  | 2.545 | 1.800  | 2.1575 | 2.895 | 3ACP+3P+12S+2LP      | 4-6450860-5 |
| 4.450 | .250 | .250 | .170  | 4.290 | 1.925  | 2.200  | 4.640 | 8P + 8S + 8P         | 4-6450860-4 |
| 1.400 | .250 | .250 | .145  | 1.240 | .425   | .700   | 1.590 | 2P + 8S + 2P         | 4-6450860-3 |
| 1.330 | .250 | -    | .1275 | 1.170 | .2725  | .5725  | 1.520 | 2LP + 8S + 2P        | 4-6450860-2 |
| 2.400 | .200 | .200 | .145  | 2.240 | .775   | 1.350  | 2.590 | 4HDP + 20S + 4HDP    | 4-6450860-1 |
| 1.350 | -    | -    | .170  | 1.190 | .175   | .850   | 1.540 | 1P + 24S + 1P        | 4-6450860-0 |
| 1.360 | -    | .230 | .1275 | 1.200 | .4775  | .8525  | 1.550 | 4LP + 12S + 1P       | 3-6450860-9 |
| 2.550 | .250 | .250 | .170  | 2.390 | .475   | 1.800  | 2.740 | 2P + 48S + 2P        | 3-6450860-6 |
| 3.850 | .250 | .250 | .170  | 3.690 | 1.425  | 2.100  | 4.040 | 6P + 24S + 6P        | 3-6450860-5 |
| 1.075 | -    | -    | .1025 | .915  | .2725  | .480   | 1.265 | 2LP + 8S + 3LP       | 3-6450860-4 |
| 1.330 | .250 | -    | .1275 | 1.170 | .2725  | .5725  | 1.520 | 2LP + 8S + 2P        | 3-6450860-3 |
| 1.800 | .250 | .250 | .220  | 1.640 | .450   | .950   | 1.990 | 2P + 16S + 2P        | 3-6450860-2 |
| 2.870 | .230 | .230 | .1525 | 2.710 | .6550  | 2.2125 | 3.060 | 4LP + 60S + 4LP      | 3-6450860-1 |
| .975  | -    | -    | .1025 | .815  | .2725  | .380   | 1.165 | 2LP + 4S + 3LP       | 3-6450860-0 |
| 1.950 | .250 | .250 | .170  | 1.790 | .475   | 1.200  | 2.140 | 2P + 24S + 2P        | 2-6450860-9 |
| 2.550 | .250 | .250 | .170  | 2.390 | .925   | 1.300  | 2.740 | 4P + 12S + 4P        | 2-6450860-8 |
| 5.635 | .250 | .250 | .170  | 5.475 | .475   | 1.885  | 5.825 | 2P + 32S + 4LP + 14P | 2-6450860-6 |
| 3.570 | .250 | .230 | .1525 | 3.410 | 2.1125 | 2.8375 | 3.760 | 18LP + 24S + 2P      | 2-6450860-5 |
| 6.050 | .250 | .250 | .145  | 5.890 | 1.950  | 3.850  | 6.240 | 8P + 72S + 8P        | 2-6450860-1 |
| 1.950 | .250 | .250 | .170  | 1.790 | .475   | 1.200  | 2.140 | 2P + 24S + 2P        | 2-6450860-0 |
| 3.350 | .200 | .200 | .170  | 3.190 | 1.175  | 1.850  | 3.540 | 6HDP + 24S + 6HDP    | 1-6450860-7 |
| -     | .250 | .230 | .1275 | 2.205 | .7325  | 1.4075 | 2.555 | 6LP + 24S + 3P       | 1-6450860-6 |
| 2.450 | .200 | .200 | .170  | 2.290 | .775   | 1.350  | 2.640 | 4HDP + 20S + 4HDP    | 1-6450860-5 |
| 2.150 | .200 | .200 | .170  | 1.990 | .775   | 1.050  | 2.340 | 4HDP + 8S + 4HDP     | 1-6450860-4 |
| 2.450 | -    | .250 | .170  | 2.290 | .925   | 1.200  | 2.640 | 4P + 8S + 4P         | 1-6450860-3 |
| 3.450 | -    | .250 | .170  | 3.290 | 1.425  | 1.700  | 3.640 | 6P + 8S + 6P         | 1-6450860-2 |
| 2.800 | .300 | .250 | .170  | 2.640 | .925   | 1.700  | 2.990 | 4P + 28S + 3ACP      | 1-6450860-0 |
| 2.510 | -    | -    | .170  | 2.350 | .455   | 1.6875 | 2.700 | 1P+2LP+48S+2LP+1P    | 6450860-9   |
| 2.800 | .300 | .250 | .170  | 2.640 | .925   | 1.700  | 2.990 | 4P + 28S + 3ACP      | 6450860-7   |
| 2.425 | .250 | .300 | .170  | 2.265 | .500   | 1.175  | 2.615 | 2ACP + 24S + 4P      | 6450860-6   |
| 3.665 | -    | .230 | .1025 | 3.505 | .7325  | 1.4075 | 3.855 | 6LP + 24S + 10P      | 6450860-5   |
| 2.530 | -    | .250 | .170  | 2.370 | 1.175  | 1.9825 | 2.720 | 5P + 32S + 2LP       | 6450860-4   |
| 5.545 | .230 | .250 | .195  | 5.385 | 2.975  | 4.2325 | 5.735 | 12P + 48S + 8LP      | 6450860-3   |
| 5.200 | .200 | .300 | .195  | 5.040 | 1.150  | 2.475  | 5.390 | 4ACP + 48S + 12HDP   | 6450860-2   |
| .985  | -    | -    | .1025 | .825  | .2725  | .505   | 1.175 | 2LP + 8S + 2LP       | 6450860-1   |
| D     | T    | S    | K     | U     | W      | R      | L     | DESCRIPTION          | PART NUMBER |

THIS DRAWING IS A CONTROLLED DOCUMENT.

DWZ: D. ZHU  
 CHK: S. ZHAO  
 APVD: S. ZHAO

DATE: 20DEC2007

NAME: VER RECEPT ASSEMBLY SHORT GUIDES, PRESS FIT MULTI-BEAM XLE

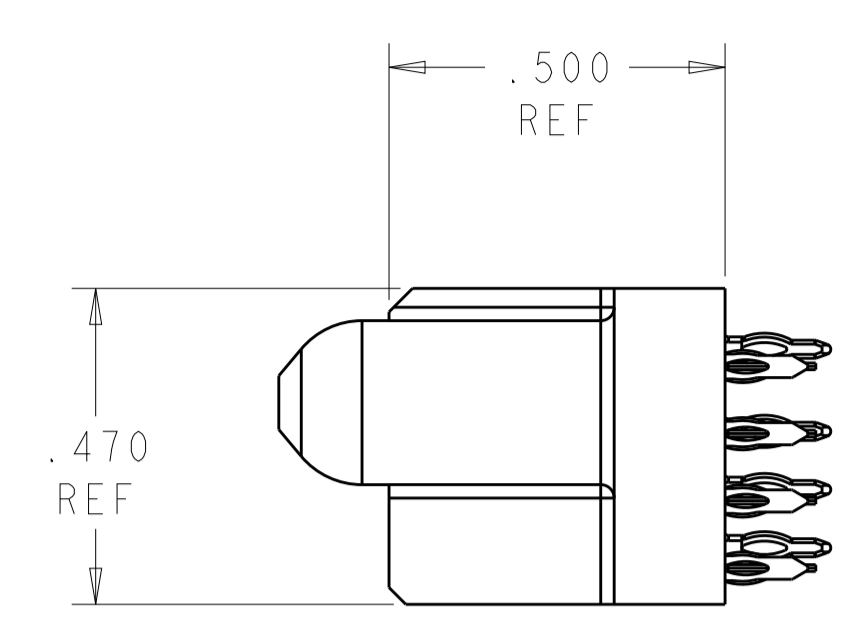
PRODUCT SPEC: 108-2292  
 APPLICATION SPEC: 114-13251

SIZE: A1  
 CAGE CODE: 6450860  
 DRAWING NO: 100779

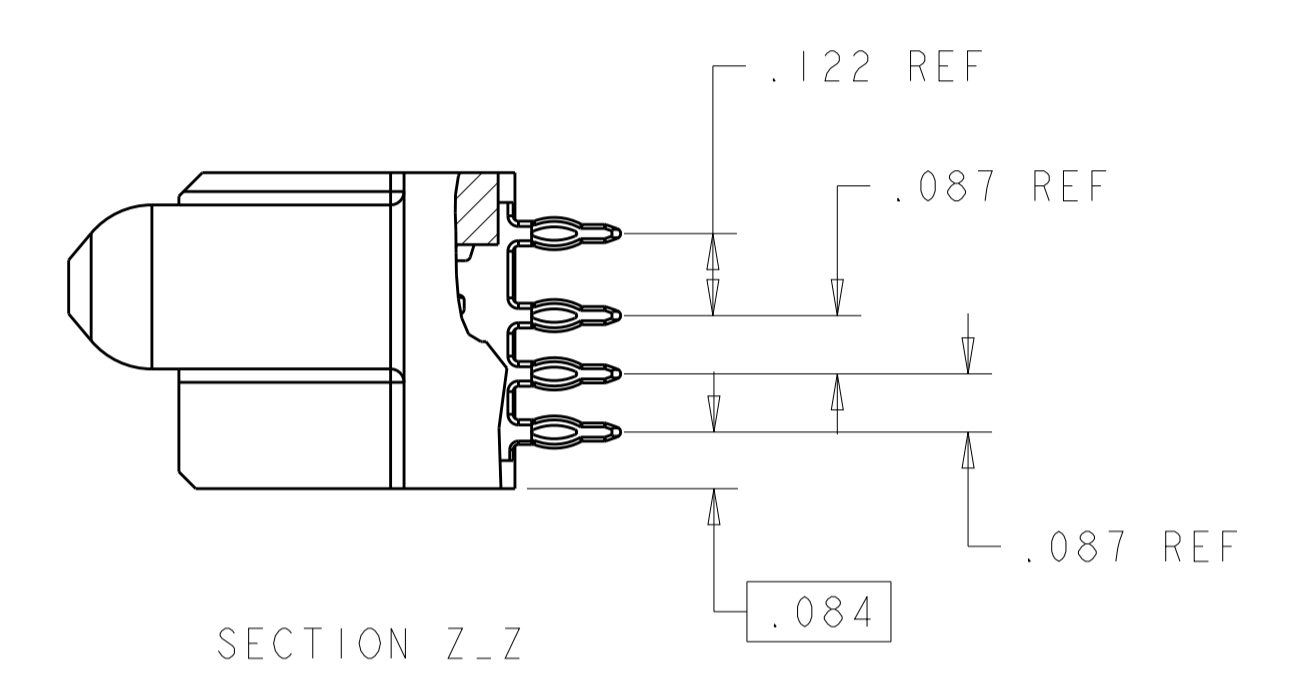
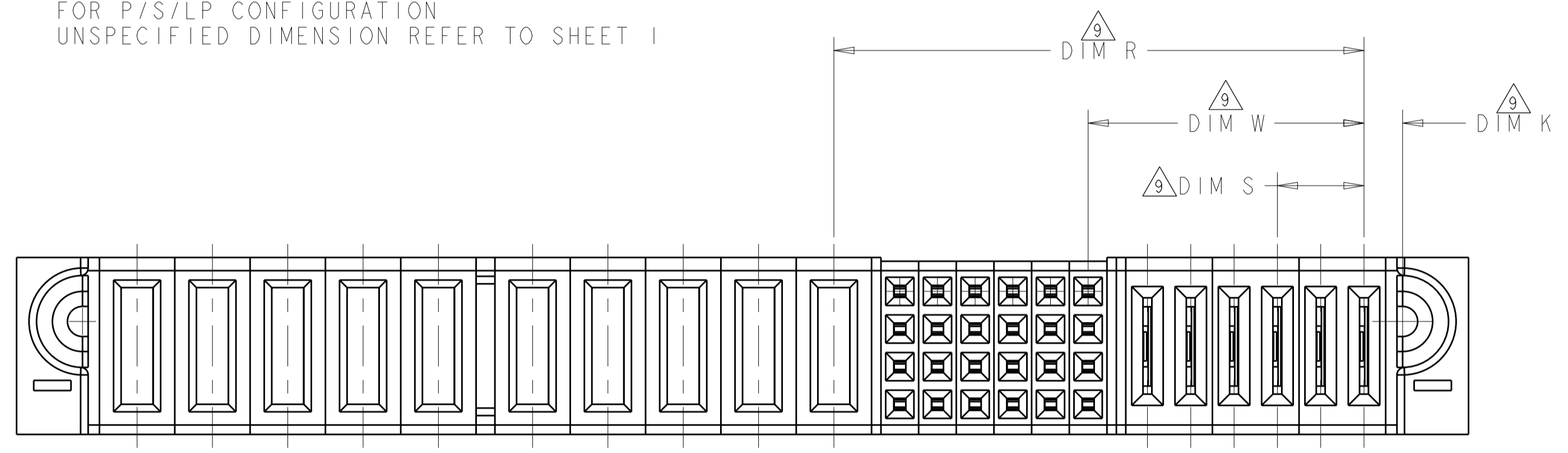
SCALE: N/A  
 SHEET: 2 OF 28  
 REV: K2

CUSTOMER DRAWING

| LOC |    | DIST |     | REVISIONS   |      |     |      |
|-----|----|------|-----|-------------|------|-----|------|
| ES  | 00 | P    | LTM | DESCRIPTION | DATE | DWN | APVD |
|     |    | -    | -   | SEE SHEET 1 | -    | -   | -    |



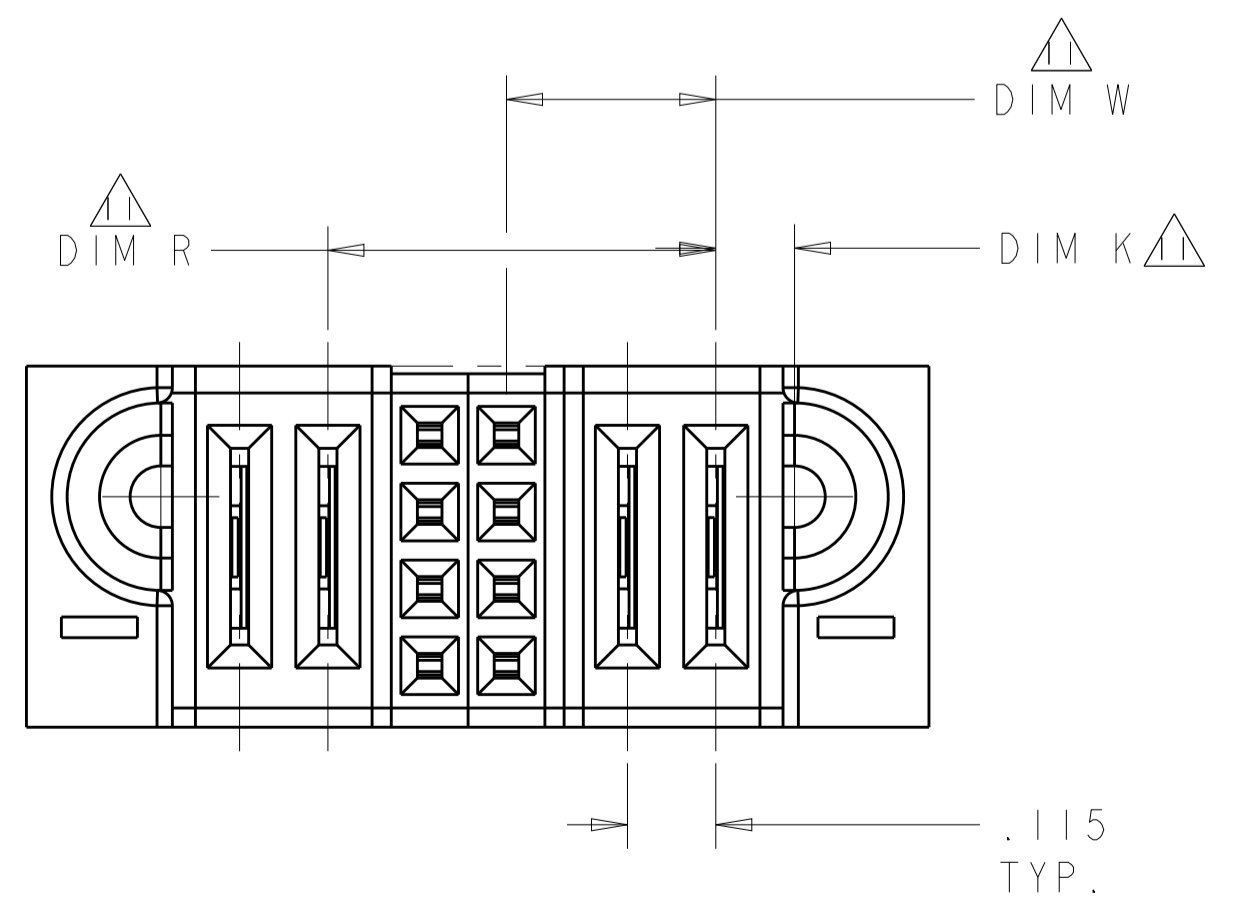
FOR P/S/LP CONFIGURATION  
 UNSPECIFIED DIMENSION REFER TO SHEET 1



FOR LP/S/P CONFIGURATION  
 UNSPECIFIED DIMENSION REFER TO SHEET 1



FOR PART 2-6450860-6



FOR LP/S/LP(6450860-1 AND 3-6450860-0) CONFIGURATION  
 UNSPECIFIED DIM REFER TO SHEET 1

|  |  |                             |           |                        |   |
|--|--|-----------------------------|-----------|------------------------|---|
| THIS DRAWING IS A CONTROLLED DOCUMENT. |  | DWN: D. ZHU                 | 20DEC2007 |                        | TE Connectivity   |
| DIMENSIONS: INCHES                     |  | CHK: S. ZHAO                | 20DEC2007 |                        | NAME: VER RECEP ASSEMBLY SHORT GUIDES, PRESS FIT MULTI-BEAM XLE |
| TOLERANCES UNLESS OTHERWISE SPECIFIED: |  | APVD: S. ZHAO               | -         | PRODUCT SPEC: 108-2292 |   |
| 0 PLC ±.01                             |  | APPLICATION SPEC: 114-13251 |           | SIZE: A1               |   |
| 1 PLC ±.01                             |  | WEIGHT: -                   |           | CAGE CODE: -           |   |
| 2 PLC ±.005                            |  | CUSTOMER DRAWING            |           | SCALE: N/A             |   |
| 3 PLC ±.0020                           |  | SCALE: N/A                  |           | SHEET 3 OF 28          |   |
| ANGLES: ±.7°                           |  | SCALE: N/A                  |           | REV: K2                |   |
| FINISH: -                              |  | SCALE: N/A                  |           | REV: K2                |   |





| LOC |     | DIST        |      | REVISIONS |      |  |  |
|-----|-----|-------------|------|-----------|------|--|--|
| P   | LTN | DESCRIPTION | DATE | DMN       | APVD |  |  |
| -   | -   | SEE SHEET 1 | -    | -         | -    |  |  |

| PART NUMBER     | ROWS | POWER |    |    |    | SIGNAL |    |    |    |    | POWER |    | HD |    |
|-----------------|------|-------|----|----|----|--------|----|----|----|----|-------|----|----|----|
|                 |      | P6    | P5 | P4 | P3 | 6      | 5  | 4  | 3  | 2  | 1     | P2 |    | P1 |
| 6450860-6       | D    | GS    | GS | GS | GS | AP     | AP | AP | AP | AP | AP    | GS | GS | HD |
|                 | C    |       |    |    |    | AP     | AP | AP | AP | AP | AP    |    |    |    |
|                 | B    |       |    |    |    | AP     | AP | AP | AP | AP | AP    |    |    |    |
|                 | A    |       |    |    |    | AP     | AP | AP | AP | AP | AP    |    |    |    |
| 2ACP + 24S + 4P |      |       |    |    |    |        |    |    |    |    |       |    |    |    |

| PART NUMBER    | ROWS | LP2 | LPI | SIGNAL |    |    |    |    |    |    |    | POWER |    |    |    |    | HD |    |
|----------------|------|-----|-----|--------|----|----|----|----|----|----|----|-------|----|----|----|----|----|----|
|                |      |     |     | 8      | 7  | 6  | 5  | 4  | 3  | 2  | 1  | P5    | P4 | P3 | P2 | P1 |    |    |
| 6450860-4      | D    | LSI |     | AP     | AP | AP | AP | AP | AP | AP | AP | AP    | GS | GP | GS | GP | GP | HD |
|                | C    |     |     | AP     | AP | AP | AP | AP | AP | AP | AP |       |    |    |    |    |    |    |
|                | B    |     |     | AP     | AP | AP | AP | AP | AP | AP | AP |       |    |    |    |    |    |    |
|                | A    |     |     | AP     | AP | AP | AP | AP | AP | AP | AP |       |    |    |    |    |    |    |
| 5P + 32S + 2LP |      |     |     |        |    |    |    |    |    |    |    |       |    |    |    |    |    |    |

NO CONTACT LOADED



THIS DRAWING IS A CONTROLLED DOCUMENT.

|                  |   |                        |                             |   |
|------------------|---|------------------------|-----------------------------|---|
| DIMENSIONS:      | TOLERANCES UNLESS OTHERWISE SPECIFIED:                                    | DMN: D. ZHU            | 20DEC2007                   | TE Connectivity<br>VER RECEPT ASSEMBLY<br>SHORT GUIDES, PRESS FIT<br>MULTI-BEAM XLE |
| INCHES           | 0 PLC ± .01<br>1 PLC ± .01<br>2 PLC ± .01<br>3 PLC ± .005<br>4 PLC ± .002 | CHK: S. ZHAO           | 20DEC2007                   |   |
| MATERIAL:        | FINISH:   | APVD: S. ZHAO          | NAME:                       | SIZE: A1  |
| CUSTOMER DRAWING |   | PRODUCT SPEC: 108-2292 | APPLICATION SPEC: 114-13251 | SCALE: N/A  |
|                  |   | WEIGHT:                | RESTRICTED TO:              | SHEET 6 OF 28   |
|                  |   |                        |                             | REV: K2   |

| LOC |    | DIST |     | REVISIONS   |      |     |      |
|-----|----|------|-----|-------------|------|-----|------|
| ES  | 00 | P    | LTN | DESCRIPTION | DATE | DMN | APVD |
|     |    | -    |     | SEE SHEET 1 |      |     |      |

| PART NUMBER | ROWS             | POWER |    |    |    |    |    |    |    |    |    | SIGNAL |    |    |    |    |    | POWER |     |     |     |     |     |
|-------------|------------------|-------|----|----|----|----|----|----|----|----|----|--------|----|----|----|----|----|-------|-----|-----|-----|-----|-----|
|             |                  | P10   | P9 | P8 | P7 | P6 | P5 | P4 | P3 | P2 | P1 | 6      | 5  | 4  | 3  | 2  | 1  | LP6   | LP5 | LP4 | LP3 | LP2 | LP1 |
| 6450860-5   | D<br>C<br>B<br>A | GS    | GS | GS | GS | GS | GS | GS | GS | GS | GS | AP     | AP | AP | AP | AP | AP | LSI   |     |     | LSI |     |     |
|             |                  | GS    | GS | GS | GS | GS | GS | GS | GS | GS | GS | AP     | AP | AP | AP | AP | AP | LSI   |     |     | LSI |     |     |
|             |                  | GS    | GS | GS | GS | GS | GS | GS | GS | GS | GS | AP     | AP | AP | AP | AP | AP | LSI   |     |     | LSI |     |     |
|             |                  | GS    | GS | GS | GS | GS | GS | GS | GS | GS | GS | AP     | AP | AP | AP | AP | AP | LSI   |     |     | LSI |     |     |



|  |  |                  |           |  |   |
|--|--|------------------|-----------|--|---|
| THIS DRAWING IS A CONTROLLED DOCUMENT. |  | DMN: D.ZHU       | 20DEC2007 |  | TE Connectivity   |
| DIMENSIONS: INCHES                     |  | CHK: S.ZHAO      | 20DEC2007 |  | VER RECEP ASSEMBLY<br>SHORT GUIDES, PRESS FIT<br>MULTI-BEAM XLE |
| TOLERANCES UNLESS OTHERWISE SPECIFIED: |  | APVD: S.ZHAO     |           | NAME                                       |   |
| 0 PLC ±                                |  | PRODUCT SPEC     |           | SIZE: CAGE CODE: DRAWING NO: RESTRICTED TO |   |
| 1 PLC ±.01                             |  | 108-2292         |           | A100779C=6450860                           |   |
| 2 PLC ±.01                             |  | APPLICATION SPEC |           | SCALE: N/A SHEET 7 OF 28 REV: K2           |   |
| 3 PLC ±.005                            |  | 114-13251        |           |  |   |
| 4 PLC ±.0020                           |  | WEIGHT           |           |  |   |
| ANGLES ±.2°                            |  | FINISH           |           |  |   |
| MATERIAL                               |  | CUSTOMER DRAWING |           |  |   |

| LOC |    | DIST |     | REVISIONS   |      |     |      |
|-----|----|------|-----|-------------|------|-----|------|
| ES  | 00 | P    | LTN | DESCRIPTION | DATE | DMN | APVD |
|     |    | -    |     | SEE SHEET 1 |      |     |      |

| PART NUMBER     | ROWS             | POWER |    |    |  | SIGNAL |    |    |    |    |    | POWER |    |    |    |    |    |
|-----------------|------------------|-------|----|----|--|--------|----|----|----|----|----|-------|----|----|----|----|----|
|                 |                  | P7    | P6 | P5 |  | 7      | 6  | 5  | 4  | 3  | 2  | 1     | P4 | P3 | P2 | P1 |    |
| 6450860-7       | D<br>C<br>B<br>A | HD    | GS | GS |  | AP     | AP | AP | AP | AP | AP | AP    | GS | GS | GS | GS | HD |
|                 |                  |       |    |    |  | AP     | AP | AP | AP | AP | AP | AP    |    |    |    |    |    |
|                 |                  |       |    |    |  | AP     | AP | AP | AP | AP | AP | AP    |    |    |    |    |    |
|                 |                  |       |    |    |  | AP     | AP | AP | AP | AP | AP | AP    |    |    |    |    |    |
| 4P + 28S + 3ACP |                  |       |    |    |  |        |    |    |    |    |    |       |    |    |    |    |    |

NO CONTACTS LOADED

| PART NUMBER    | ROWS             | POWER |     | SIGNAL |    | POWER |     |
|----------------|------------------|-------|-----|--------|----|-------|-----|
|                |                  | P4    | P3  | 2      | 1  | P2    | P1  |
| 6450860-1      | D<br>C<br>B<br>A | LSI   | LSI | AP     | AP | LSI   | LSI |
|                |                  |       |     | AP     | AP |       |     |
|                |                  |       |     | AP     | AP |       |     |
|                |                  |       |     | AP     | AP |       |     |
| 2LP + 8S + 2LP |                  |       |     |        |    |       |     |



THIS DRAWING IS A CONTROLLED DOCUMENT.

|                       |  |        |  |   |  |
|-----------------------|--|--------|--|---|--|
| DIMENSIONS:<br>INCHES | TOLERANCES UNLESS OTHERWISE SPECIFIED:<br>0 PLC ±.<br>1 PLC ±.01<br>2 PLC ±.01<br>3 PLC ±.005<br>4 PLC ±.0020<br>ANGLES ±.2° | FINISH | DMN D.ZHU<br>CHK S.ZHAO<br>APVD S.ZHAO | PRODUCT SPEC 108-2292<br>APPLICATION SPEC 114-13251 | NAME<br>VER RECEPT ASSEMBLY<br>SHORT GUIDES, PRESS FIT<br>MULTI-BEAM XLE |
| MATERIAL              |  |        | SIZE 114-13251<br>WEIGHT               | RESTRICTED TO                                       |  |
| CUSTOMER DRAWING      |  |        | SCALE N/A                              | SHEET 8 OF 28                                       | REV K2   |

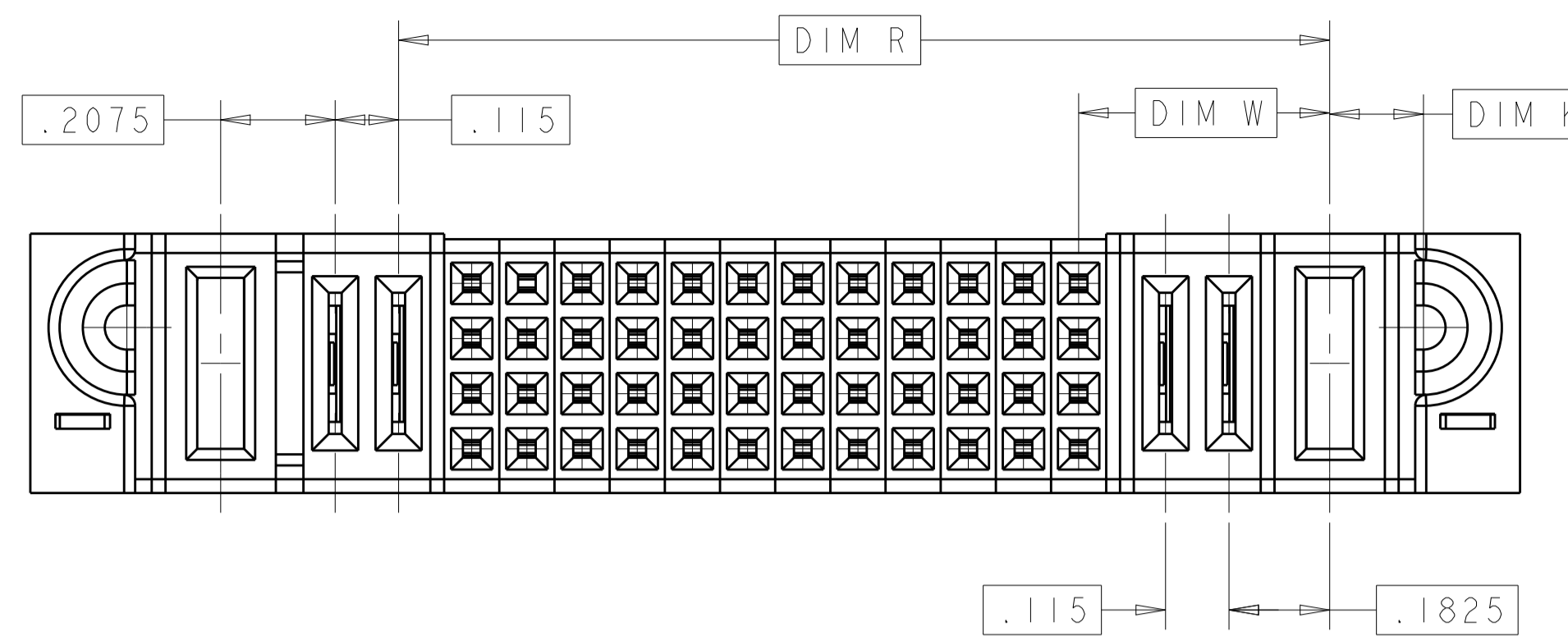
STC TE Connectivity

100779C=6450860

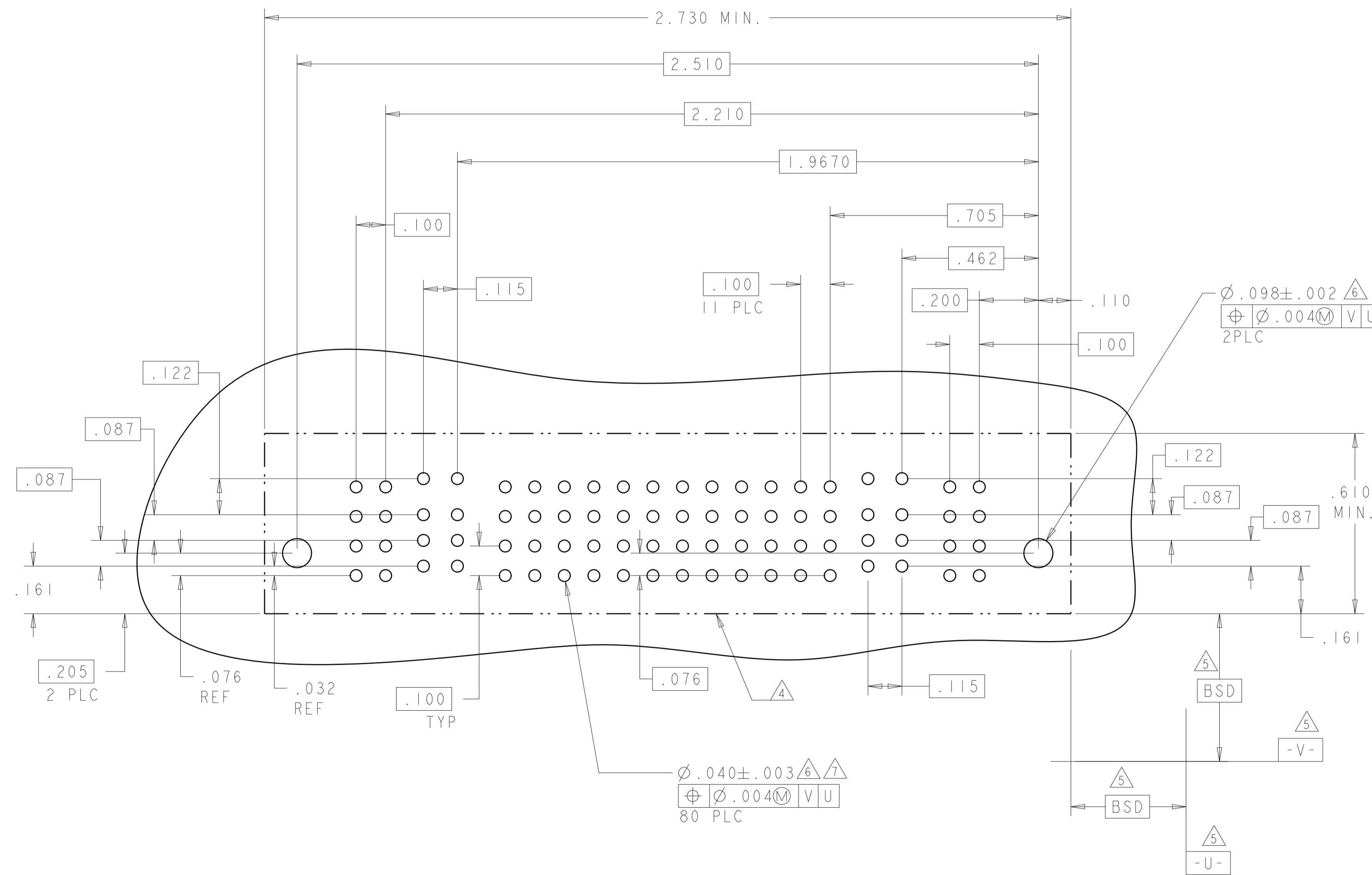


| LOC | DIST | REVISIONS |             |    |      |
|-----|------|-----------|-------------|----|------|
| ES  | 00   | REV       | DATE        | BY | APPV |
|     |      | 1         | SEE SHEET 1 |    |      |

| PART NUMBER               | ROWS | POWER |     |     | SIGNAL |    |    |    |    |    |    |    |    |    | POWER |    |     |     |    |    |    |
|---------------------------|------|-------|-----|-----|--------|----|----|----|----|----|----|----|----|----|-------|----|-----|-----|----|----|----|
|                           |      | P2    | LP4 | LP3 | 12     | 11 | 10 | 9  | 8  | 7  | 6  | 5  | 4  | 3  | 2     | 1  | LP2 | LPI | PI |    |    |
| 6450860-9                 | D    | GP    | LSI | LSI | AP     | AP | AP | AP | AP | AP | AP | AP | AP | AP | AP    | AP | AP  | AP  | AP | AP |    |
|                           | C    |       |     |     | AP     | AP | AP | AP | AP | AP | AP | AP | AP | AP | AP    | AP | AP  | AP  | AP | AP |    |
|                           | B    |       |     |     | AP     | AP | AP | AP | AP | AP | AP | AP | AP | AP | AP    | AP | AP  | AP  | AP | AP | AP |
|                           | A    |       |     |     | AP     | AP | AP | AP | AP | AP | AP | AP | AP | AP | AP    | AP | AP  | AP  | AP | AP | AP |
| IP + 2LP + 48S + 2LP + IP |      |       |     |     |        |    |    |    |    |    |    |    |    |    |       |    |     |     |    |    |    |



P/N: 6450860-9 CONFIGURATION  
 UNSPECIFIED DIMENSION REFER TO SHEET 1



|  |  |   |  |  |
|--|--|---|--|--|
| THIS DRAWING IS A CONTROLLED DOCUMENT. |  | OWN: D. ZHU<br>CHK: S. ZHAO<br>APPV: S. ZHAO              | 20DEC2007<br>20DEC2007                               | TE Connectivity<br>VER RECEP ASSEMBLY<br>SHORT GUIDES, PRESS FIT<br>MULTI-BEAM XLE |
| DIMENSIONS:<br>INCHES                  | TOLERANCES UNLESS OTHERWISE SPECIFIED:<br>0 PLC ±.<br>1 PLC ±.01<br>2 PLC ±.01<br>3 PLC ±.005<br>4 PLC ±.0020<br>ANGLES ±.2° | PRODUCT SPEC<br>108-2292<br>APPLICATION SPEC<br>114-13251 | SIZE: A1<br>CAGE CODE: 100779<br>DRAWING NO: 6450860 |  |
| MATERIAL: -                            | FINISH: -  | WEIGHT: -   | CUSTOMER DRAWING                                     | SCALE: N/A<br>SHEET 9 OF 28<br>REV: K2   |

| LOC |    | DIST |     | REVISIONS   |      |     |      |  |
|-----|----|------|-----|-------------|------|-----|------|--|
| ES  | 00 | P    | LTN | DESCRIPTION | DATE | DWN | APVD |  |
| -   | -  | -    | -   | SEE SHEET 1 | -    | -   | -    |  |
|     |    |      |     |             |      |     |      |  |
|     |    |      |     |             |      |     |      |  |

| PART NUMBER | ROWS | POWER           |    |    | SIGNAL |   |   |   |   |   |   | POWER |    |    |    |  |  |  |  |
|-------------|------|-----------------|----|----|--------|---|---|---|---|---|---|-------|----|----|----|--|--|--|--|
|             |      | P7              | P6 | P5 | 7      | 6 | 5 | 4 | 3 | 2 | 1 | P4    | P3 | P2 | P1 |  |  |  |  |
| 1-6450860-0 | D    | GS              | GS | GS |        |   |   |   |   |   |   |       |    |    |    |  |  |  |  |
|             | C    |                 |    |    |        |   |   |   |   |   |   |       |    |    |    |  |  |  |  |
|             | B    |                 |    |    |        |   |   |   |   |   |   |       |    |    |    |  |  |  |  |
|             | A    |                 |    |    |        |   |   |   |   |   |   |       |    |    |    |  |  |  |  |
|             |      | 4P + 28S + 3ACP |    |    |        |   |   |   |   |   |   |       |    |    |    |  |  |  |  |

NO CONTACTS LOADED



THIS DRAWING IS A CONTROLLED DOCUMENT. DWN: D.ZHU, 20DEC2007; CHK: S.ZHAO, 20DEC2007

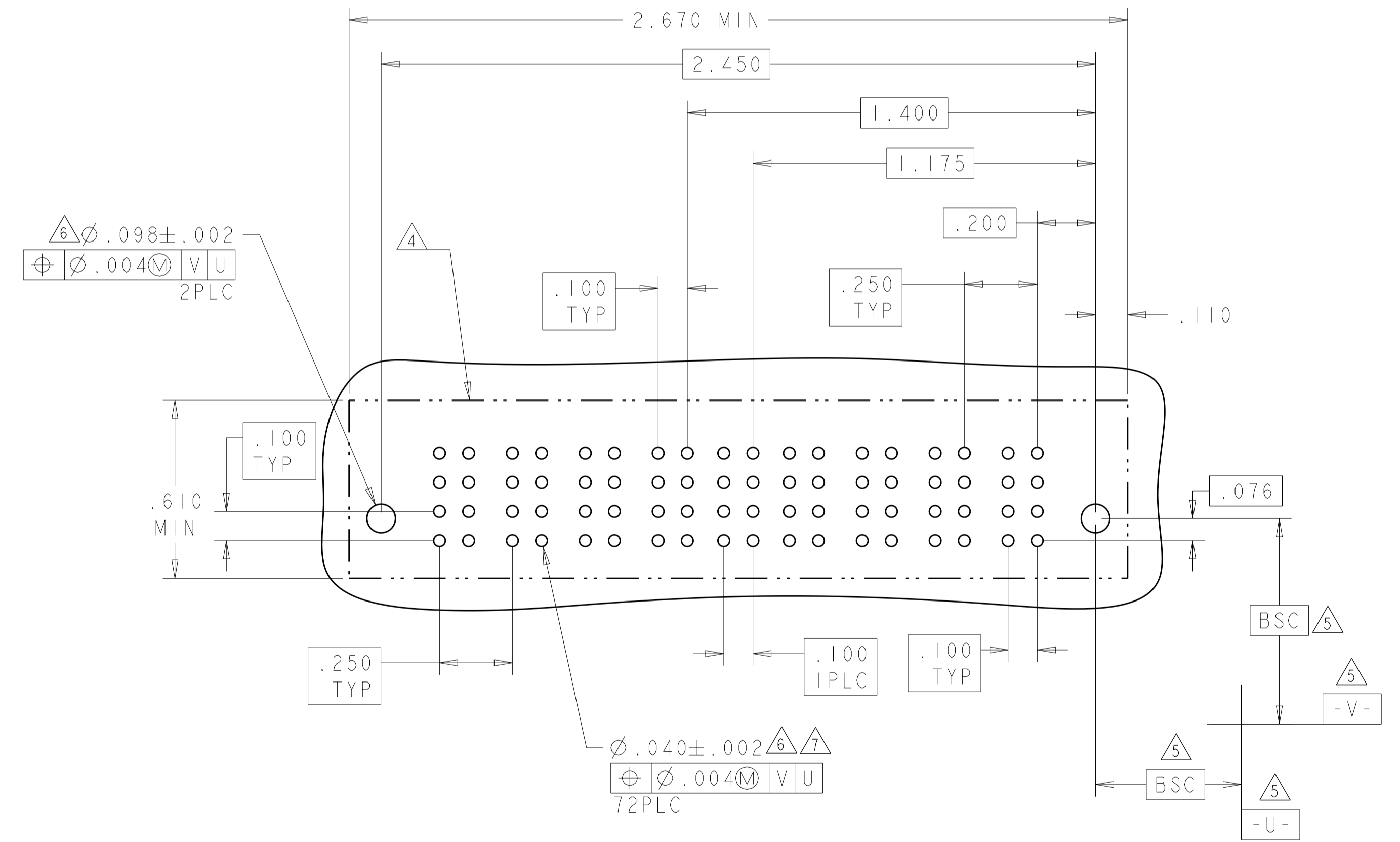
|                    |  |                             |  |
|--------------------|--|-----------------------------|--|
| DIMENSIONS: INCHES | TOLERANCES UNLESS OTHERWISE SPECIFIED: | APVD: S.ZHAO                | NAME: VER RECEPT ASSEMBLY SHORT GUIDES, PRESS FIT MULTI-BEAM XLE |
| 0 PLC ±.01         | 1 PLC ±.01                             | PRODUCT SPEC: 108-2292      | SIZE: A1   |
| 2 PLC ±.01         | 3 PLC ±.005                            | APPLICATION SPEC: 114-13251 | CAGE CODE: 6450860   |
| 4 PLC ±.0020       | ANGLES ±.2°                            | WEIGHT: -                   | RESTRICTED TO: -   |
| MATERIAL: -        | FINISH: -                              | CUSTOMER DRAWING            | SCALE: N/A SHEET 10 OF 28 REV: K2                                |

STE TE Connectivity

| LOC |    | DIST |     | REVISIONS   |      |     |      |  |
|-----|----|------|-----|-------------|------|-----|------|--|
| ES  | 00 | P    | LTN | DESCRIPTION | DATE | DMN | APVD |  |
|     |    | -    |     | SEE SHEET 1 |      |     |      |  |

| PART NUMBER | ROWS             | POWER        |     |     |    |    |    | SIGNAL               |                      | POWER |    |    |    |    |    |
|-------------|------------------|--------------|-----|-----|----|----|----|----------------------|----------------------|-------|----|----|----|----|----|
|             |                  | P12          | P11 | P10 | P9 | P8 | P7 | 2                    | 1                    | P6    | P5 | P4 | P3 | P2 | P1 |
| 1-6450860-2 | D<br>C<br>B<br>A | GS           | GS  | GS  | GS | GS | GS | AP<br>AP<br>AP<br>AP | AP<br>AP<br>AP<br>AP | GS    | GS | GS | GS | GS | GS |
|             |                  | 6P + 8S + 6P |     |     |    |    |    |                      |                      |       |    |    |    |    |    |

| PART NUMBER | ROWS             | POWER        |    |    |    | SIGNAL               |                      | POWER |    |    |    |
|-------------|------------------|--------------|----|----|----|----------------------|----------------------|-------|----|----|----|
|             |                  | P8           | P7 | P6 | P5 | 2                    | 1                    | P4    | P3 | P2 | P1 |
| 1-6450860-3 | D<br>C<br>B<br>A | GS           | GS | GS | GS | AP<br>AP<br>AP<br>AP | AP<br>AP<br>AP<br>AP | GS    | GS | GS | GS |
|             |                  | 4P + 8S + 4P |    |    |    |                      |                      |       |    |    |    |



THIS DRAWING IS A CONTROLLED DOCUMENT.

|                       |  |        |   |                             |  |
|-----------------------|--|--------|---|-----------------------------|--|
| DIMENSIONS:<br>INCHES | TOLERANCES UNLESS OTHERWISE SPECIFIED:<br>0 PLC ±.<br>2 PLC ±.01<br>3 PLC ±.005<br>4 PLC ±.0020<br>ANGLES ±.2° | FINISH | DMN: D.ZHU<br>CHK: S.ZHAO<br>APVD: S.ZHAO | DATE: 20DEC2007             | NAME: VER RECEPT ASSEMBLY SHORT GUIDES, PRESS FIT MULTI-BEAM XLE |
| MATERIAL              |  |        | PRODUCT SPEC: 108-2292                    | APPLICATION SPEC: 114-13251 | RESTRICTED TO: -   |
|                       |  |        | WEIGHT                                    | SCALE: N/A                  | SHEET 11 OF 28   |

CUSTOMER DRAWING

| LOC | DIST | REVISIONS   |      |     |      |
|-----|------|-------------|------|-----|------|
| P   | LTN  | DESCRIPTION | DATE | DMN | APVD |
| ES  | 00   | SEE SHEET 1 | -    | -   | -    |

| PART NUMBER      | ROWS             | POWER |    |    |    | SIGNAL |    | POWER |    |    |    |
|------------------|------------------|-------|----|----|----|--------|----|-------|----|----|----|
|                  |                  | P8    | P7 | P6 | P5 | 2      | 1  | P4    | P3 | P2 | P1 |
| 1-6450860-4      | D<br>C<br>B<br>A | GS    | GS | GS | GS | AP     | AP | GS    | GS | GS | GS |
|                  |                  |       |    |    |    | AP     | AP |       |    |    |    |
|                  |                  |       |    |    |    | AP     | AP |       |    |    |    |
|                  |                  |       |    |    |    | AP     | AP |       |    |    |    |
| 4HDP + 8S + 4HDP |                  |       |    |    |    |        |    |       |    |    |    |

| PART NUMBER       | ROWS             | POWER |    |    |    | SIGNAL |    |    |    |    | POWER |    |    |    |
|-------------------|------------------|-------|----|----|----|--------|----|----|----|----|-------|----|----|----|
|                   |                  | P8    | P7 | P6 | P5 | 5      | 4  | 3  | 2  | 1  | P4    | P3 | P2 | P1 |
| 1-6450860-5       | D<br>C<br>B<br>A | GS    | GS | GS | GS | AP     | AP | AP | AP | AP | GS    | GS | GS | GS |
|                   |                  |       |    |    |    | AP     | AP | AP | AP | AP |       |    |    |    |
|                   |                  |       |    |    |    | AP     | AP | AP | AP | AP |       |    |    |    |
|                   |                  |       |    |    |    | AP     | AP | AP | AP | AP |       |    |    |    |
| 4HDP + 20S + 4HDP |                  |       |    |    |    |        |    |    |    |    |       |    |    |    |



THIS DRAWING IS A CONTROLLED DOCUMENT.

|                       |   |        |        |
|-----------------------|---|--------|--------|
| DIMENSIONS:<br>INCHES | TOLERANCES UNLESS OTHERWISE SPECIFIED:<br>0 PLC ±.<br>1 PLC ±.01<br>2 PLC ±.01<br>3 PLC ±.005<br>4 PLC ±.0020<br>ANGLES ±7° | FINISH | FINISH |
|-----------------------|---|--------|--------|

|                  |           |  |           |                |               |
|------------------|-----------|--|-----------|----------------|---------------|
| DMN: D. ZHU      | 20DEC2007 | TE Connectivity<br>VER RECEP ASSEMBLY<br>SHORT GUIDES, PRESS FIT<br>MULTI-BEAM XLE |           |                |               |
| CHK: S. ZHAO     | 20DEC2007 |  |           |                |               |
| APVD: S. ZHAO    |           |  |           |                |               |
| NAME             |           |  |           |                |               |
| PRODUCT SPEC     | 108-2292  | SIZE   | CAGE CODE | DRAWING NO     | RESTRICTED TO |
| APPLICATION SPEC | 114-13251 | A1   | 00779     | C=6450860      | -             |
| MATERIAL         |           | WEIGHT   |           |                |               |
| CUSTOMER DRAWING |           | SCALE  | N/A       | SHEET 12 OF 28 | REV K2        |

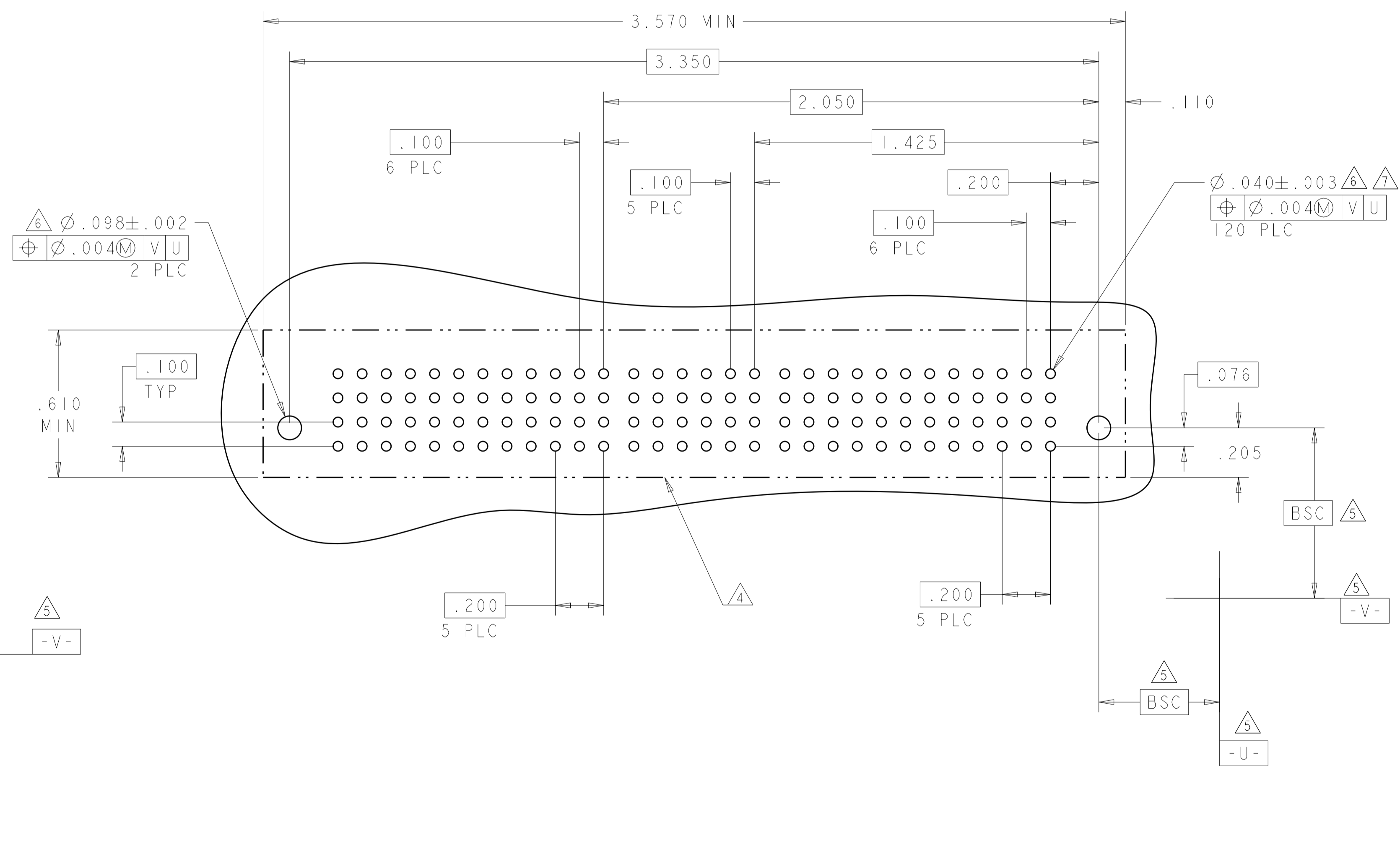
| LOC | DIST | REV | DATE | BY | APP'D |
|-----|------|-----|------|----|-------|
| ES  | 00   |     |      |    |       |

| REVISIONS |             | DATE | BY | APP'D |
|-----------|-------------|------|----|-------|
| 1         | SEE SHEET 1 |      |    |       |

| PART NUMBER    | ROWS             | POWER |    |    | SIGNAL |    |    |    |    |    | POWER |     |     |     |     |     |
|----------------|------------------|-------|----|----|--------|----|----|----|----|----|-------|-----|-----|-----|-----|-----|
|                |                  | P3    | P2 | P1 | 6      | 5  | 4  | 3  | 2  | 1  | LP6   | LP5 | LP4 | LP3 | LP2 | LP1 |
| I-6450860-6    | D<br>C<br>B<br>A | GS    | GS | GS | AP     | AP | AP | AP | AP | AP | LSI   | LSI | LSI | LSI | LSI | LSI |
|                |                  |       |    |    | AP     | AP | AP | AP | AP | AP |       |     |     |     |     |     |
|                |                  |       |    |    | AP     | AP | AP | AP | AP | AP |       |     |     |     |     |     |
| 6LP + 24S + 3P |                  |       |    |    |        |    |    |    |    |    |       |     |     |     |     |     |

| PART NUMBER       | ROWS             | POWER |     |     |    |    |    | SIGNAL |    |    |    |    |    | POWER |    |    |    |    |    |
|-------------------|------------------|-------|-----|-----|----|----|----|--------|----|----|----|----|----|-------|----|----|----|----|----|
|                   |                  | P12   | P11 | P10 | P9 | P8 | P7 | 6      | 5  | 4  | 3  | 2  | 1  | P6    | P5 | P4 | P3 | P2 | P1 |
| I-6450860-7       | D<br>C<br>B<br>A | GS    | GS  | GS  | GS | GS | GS | AP     | AP | AP | AP | AP | AP | GS    | GS | GS | GS | GS | GS |
|                   |                  |       |     |     |    |    |    | AP     | AP | AP | AP | AP | AP |       |    |    |    |    |    |
|                   |                  |       |     |     |    |    |    | AP     | AP | AP | AP | AP | AP |       |    |    |    |    |    |
| 6HDP + 24S + 6HDP |                  |       |     |     |    |    |    |        |    |    |    |    |    |       |    |    |    |    |    |

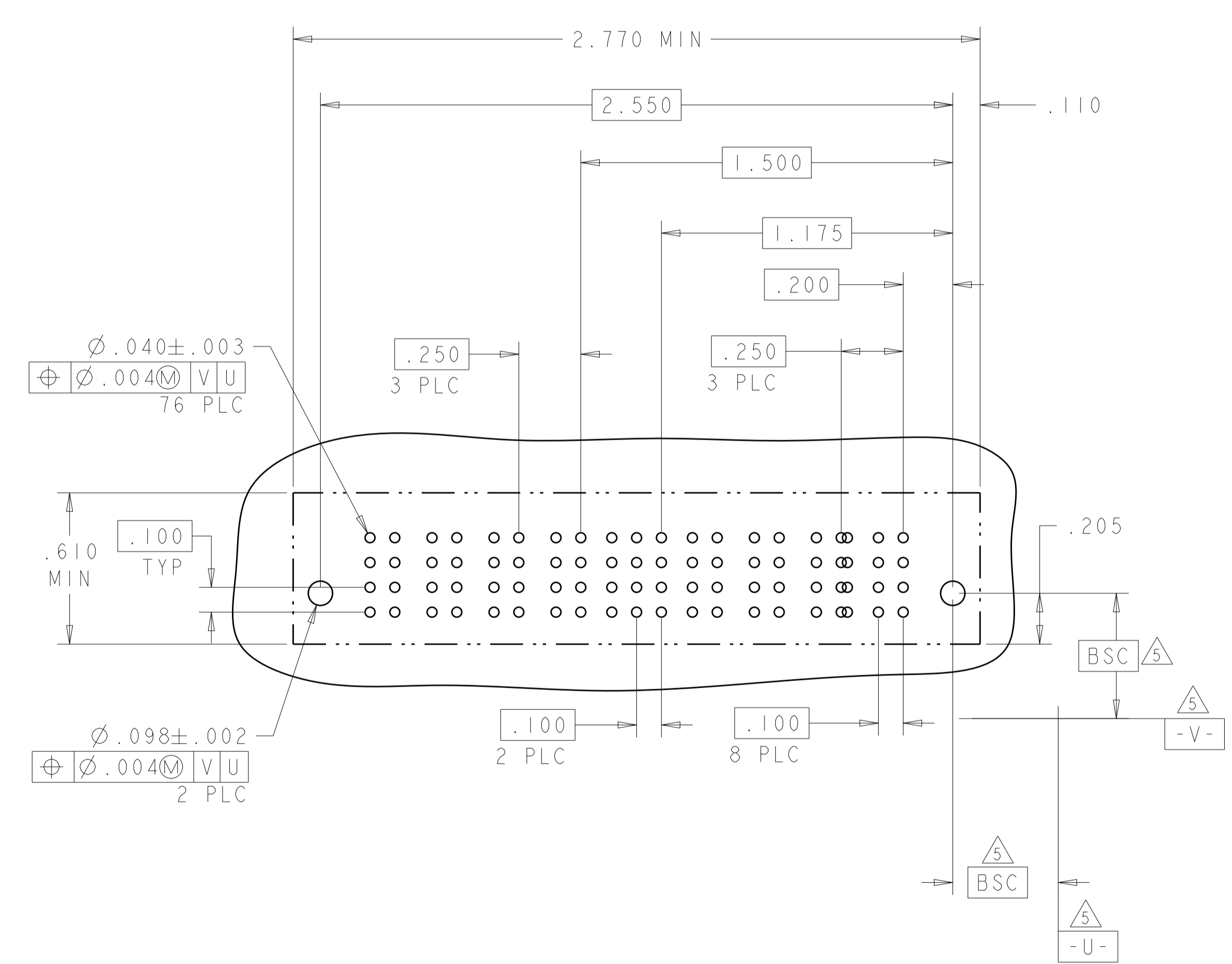
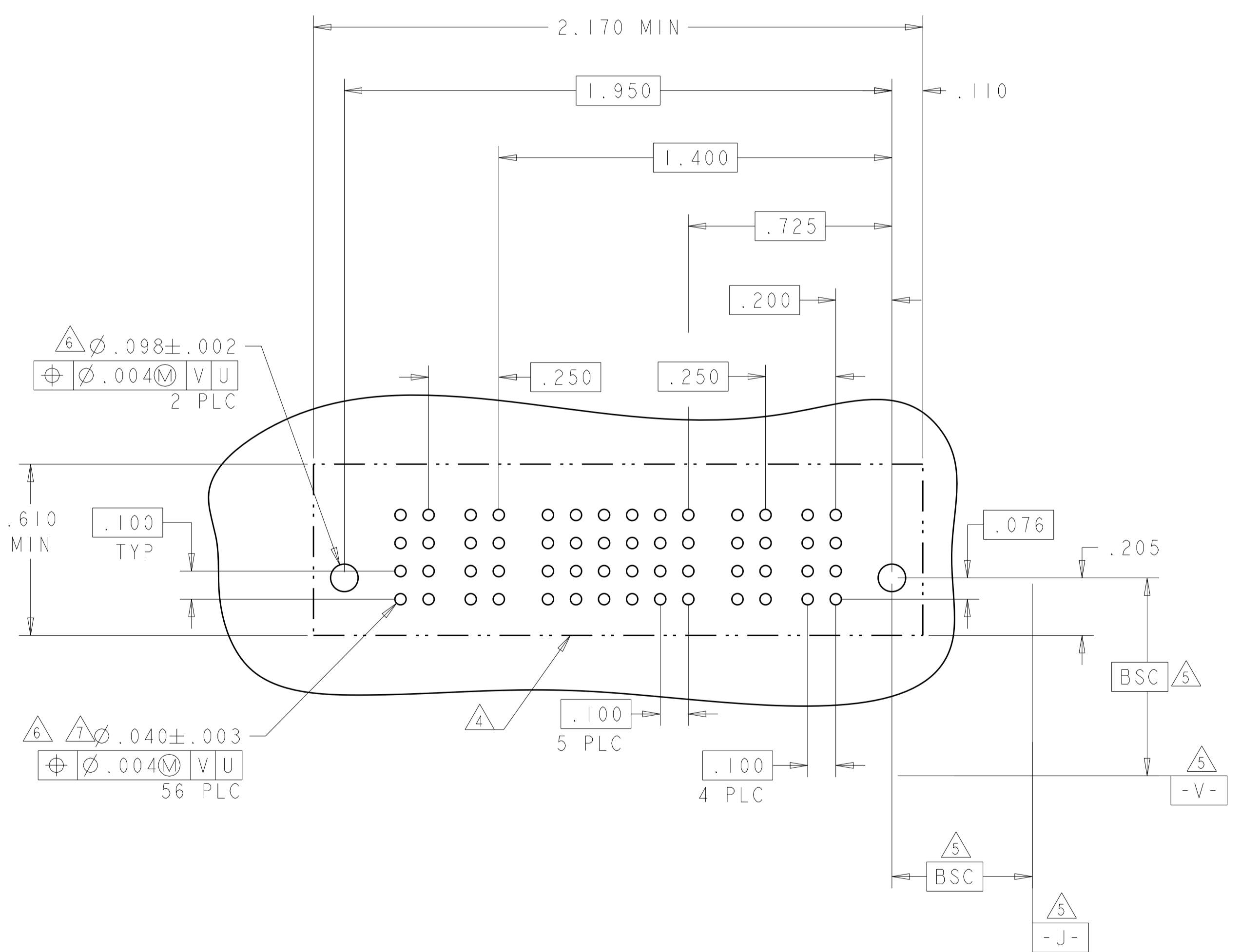


|  |  |                  |           |   |
|--|--|------------------|-----------|---|
| THIS DRAWING IS A CONTROLLED DOCUMENT. |  | OWN: D. ZHU      | 20DEC2007 | <br>TE Connectivity   |
| DIMENSIONS: INCHES                     |  | CHK: S. ZHAO     | 20DEC2007 |   |
| TOLERANCES UNLESS OTHERWISE SPECIFIED: |  | APVD: S. ZHAO    |           | VER RECEP ASSEMBLY<br>SHORT GUIDES, PRESS FIT<br>MULTI-BEAM XLE |
| 0 PLC ± .01                            |  | PRODUCT SPEC     |           |   |
| 1 PLC ± .01                            |  | 108-2292         |           | SIZE: CAGE CODE DRAWING NO: A100779<br>C=6450860                |
| 2 PLC ± .01                            |  | APPLICATION SPEC |           |   |
| 3 PLC ± .005                           |  | 114-13251        |           | SCALE: N/A SHEET 13 OF 28 REV: K2                               |
| 4 PLC ± .0020                          |  | WEIGHT           |           |   |
| ANGLES ± .020                          |  | CUSTOMER DRAWING |           |   |
| FINISH                                 |  |                  |           |   |

| LOC |    | DIST |     | REVISIONS   |      |     |      |
|-----|----|------|-----|-------------|------|-----|------|
| ES  | 00 | P    | LTN | DESCRIPTION | DATE | DWN | APVD |
| -   | -  | -    | -   | SEE SHEET 1 | -    | -   | -    |

| PART NUMBER   | ROWS | POWER |    | SIGNAL |    |    |    |    |    | POWER |    |  |
|---------------|------|-------|----|--------|----|----|----|----|----|-------|----|--|
|               |      | P4    | P3 | 6      | 5  | 4  | 3  | 2  | 1  | P2    | P1 |  |
| 2-6450860-0   | D    | GS    | GS | AP     | AP | AP | AP | AP | AP | GS    | GS |  |
|               | C    |       |    | AP     | AP | AP | AP | AP |    |       |    |  |
|               | B    |       |    | AP     | AP | AP | AP | AP |    |       |    |  |
|               | A    |       |    | AP     | AP | AP | AP | AP |    |       |    |  |
| 2P + 24S + 2P |      |       |    |        |    |    |    |    |    |       |    |  |

| PART NUMBER   | ROWS | POWER |    |    |    | SIGNAL |    |    | POWER |    |    |    |
|---------------|------|-------|----|----|----|--------|----|----|-------|----|----|----|
|               |      | P8    | P7 | P6 | P5 | 3      | 2  | 1  | P4    | P3 | P2 | P1 |
| 2-6450860-8   | D    | GS    | GS | GS | GS | AP     | AP | AP | GS    | GS | GS | GS |
|               | C    |       |    |    |    | AP     | AP | AP |       |    |    |    |
|               | B    |       |    |    |    | AP     | AP | AP |       |    |    |    |
|               | A    |       |    |    |    | AP     | AP | AP |       |    |    |    |
| 4P + 12S + 4P |      |       |    |    |    |        |    |    |       |    |    |    |



THIS DRAWING IS A CONTROLLED DOCUMENT.

|   |  |                     |
|---|--|---------------------|
| DWN: D. ZHU   | 20DEC2007                              | <br>TE Connectivity |
| CHK: S. ZHAO  | 20DEC2007                              |                     |
| APVD: S. ZHAO   |  |                     |
| NAME: VER RECEP ASSEMBLY SHORT GUIDES, PRESS FIT MULTI-BEAM XLE |  |                     |
| DIMENSIONS: INCHES  | TOLERANCES UNLESS OTHERWISE SPECIFIED: | PRODUCT SPEC        |
| 0 PLC ± .01   | 1 PLC ± .01                            | 108-2292            |
| 2 PLC ± .01   | 3 PLC ± .005                           | APPLICATION SPEC    |
| 4 PLC ± .002  | ANGLES ± .0020                         | 114-13251           |
| MATERIAL: -   | FINISH: -                              | WEIGHT: -           |
| CUSTOMER DRAWING  |  | SCALE: N/A          |

RESTRICTED TO: A100779C=6450860 SHEET 14 OF 28 REV K2







| LOC | DIST | REVISIONS   |      |     |      |
|-----|------|-------------|------|-----|------|
| P   | LTN  | DESCRIPTION | DATE | DMN | APVD |
| ES  | 00   | SEE SHEET 1 |      |     |      |

| PART NUMBER   | ROWS | POWER |    | SIGNAL |    |    |    |    |    | POWER |    |
|---------------|------|-------|----|--------|----|----|----|----|----|-------|----|
|               |      | P4    | P3 | 6      | 5  | 4  | 3  | 2  | 1  | P2    | P1 |
| 2-6450860-9   | D    | GS    | GS | AP     | AP | AP | AP | AP | AP | GS    | GS |
|               | C    |       |    | AP     | AP | AP | AP | AP |    |       |    |
|               | B    |       |    | AP     | AP | AP | AP | AP |    |       |    |
|               | A    |       |    | AP     | AP | AP | AP | AP |    |       |    |
| 2P + 24S + 2P |      | HD    |    |        |    |    |    |    |    | HD    |    |

| PART NUMBER    | ROWS | POWER |     |     | SIGNAL | POWER |     |
|----------------|------|-------|-----|-----|--------|-------|-----|
|                |      | P5    | P4  | P3  | 1      | P2    | P1  |
| 3-6450860-0    | D    | LSI   | LSI | LSI | AP     | LSI   | LSI |
|                | C    |       |     |     | AP     |       |     |
|                | B    |       |     |     | AP     |       |     |
|                | A    |       |     |     | AP     |       |     |
| 2LP + 4S + 3LP |      |       |     |     |        |       |     |



THIS DRAWING IS A CONTROLLED DOCUMENT.

|                       |   |  |  |                     |                  |
|-----------------------|---|--|--|---------------------|------------------|
| DIMENSIONS:<br>INCHES | TOLERANCES UNLESS OTHERWISE SPECIFIED:<br>0 PLC ±.<br>1 PLC ±.01<br>2 PLC ±.01<br>3 PLC ±.005<br>4 PLC ±.0020<br>ANGLES ±.020<br>FINISH | DMN: D. ZHU<br>CHK: S. ZHAO<br>APVD: S. ZHAO                           | 20DEC2007<br>20DEC2007   | <br>TE Connectivity |                  |
| MATERIAL              |   | NAME: VER RECEPT ASSEMBLY<br>SHORT GUIDES, PRESS FIT<br>MULTI-BEAM XLE | PRODUCT SPEC: 108-2292<br>APPLICATION SPEC: 114-13251<br>WEIGHT: - |                     |                  |
| CUSTOMER DRAWING      |   | SIZE: A1   | CAGE CODE: 100779  | DRAWING NO: 6450860 | RESTRICTED TO: - |
|                       |   | SCALE: N/A   | SHEET: 17  | OF: 28              | REV: K2          |

| LOC |    | DIST |     | REVISIONS   |      |     |      |
|-----|----|------|-----|-------------|------|-----|------|
| ES  | 00 | P    | LTN | DESCRIPTION | DATE | DWN | APVD |
|     |    | -    |     | SEE SHEET 1 | -    | -   | -    |
|     |    |      |     |             |      |     |      |
|     |    |      |     |             |      |     |      |

G4

| PART NUMBER     | ROWS | POWER |     |     |     | SIGNAL |    |    |    |    |    |    |    |    |    |    |    |    |    |    |    | POWER |    |    |    |    |     |     |     |     |    |    |    |    |    |    |
|-----------------|------|-------|-----|-----|-----|--------|----|----|----|----|----|----|----|----|----|----|----|----|----|----|----|-------|----|----|----|----|-----|-----|-----|-----|----|----|----|----|----|----|
|                 |      | P8    | P7  | P6  | P5  | 15     | 14 | 13 | 12 | 11 | 10 | 9  | 8  | 7  | 6  | 5  | 4  | 3  | 2  | 1  | P4 | P3    | P2 | P1 |    |    |     |     |     |     |    |    |    |    |    |    |
| 3-6450860-1     | D    | LSI   | LSI | LSI | LSI | AP     | AP | AP | AP | AP | AP | AP | AP | AP | AP | AP | AP | AP | AP | AP | AP | AP    | AP | AP | AP | AP | LSI | LSI | LSI | LSI |    |    |    |    |    |    |
|                 | C    |       |     |     |     | AP     | AP | AP | AP | AP | AP | AP | AP | AP | AP | AP | AP | AP | AP | AP | AP | AP    | AP | AP | AP | AP |     |     |     |     | AP | AP | AP | AP |    |    |
|                 | B    |       |     |     |     | AP     | AP | AP | AP | AP | AP | AP | AP | AP | AP | AP | AP | AP | AP | AP | AP | AP    | AP | AP | AP | AP |     |     |     |     | AP | AP | AP | AP | AP | AP |
|                 | A    |       |     |     |     | AP     | AP | AP | AP | AP | AP | AP | AP | AP | AP | AP | AP | AP | AP | AP | AP | AP    | AP | AP | AP | AP |     |     |     |     | AP | AP | AP | AP | AP | AP |
| 4LP + 60S + 4LP |      | HD    |     | HD  |     | HD     |    | HD |    | HD |    | HD |    | HD |    | HD |    | HD |    | HD |    | HD    |    | HD |    | HD |     | HD  |     |     |    |    |    |    |    |    |

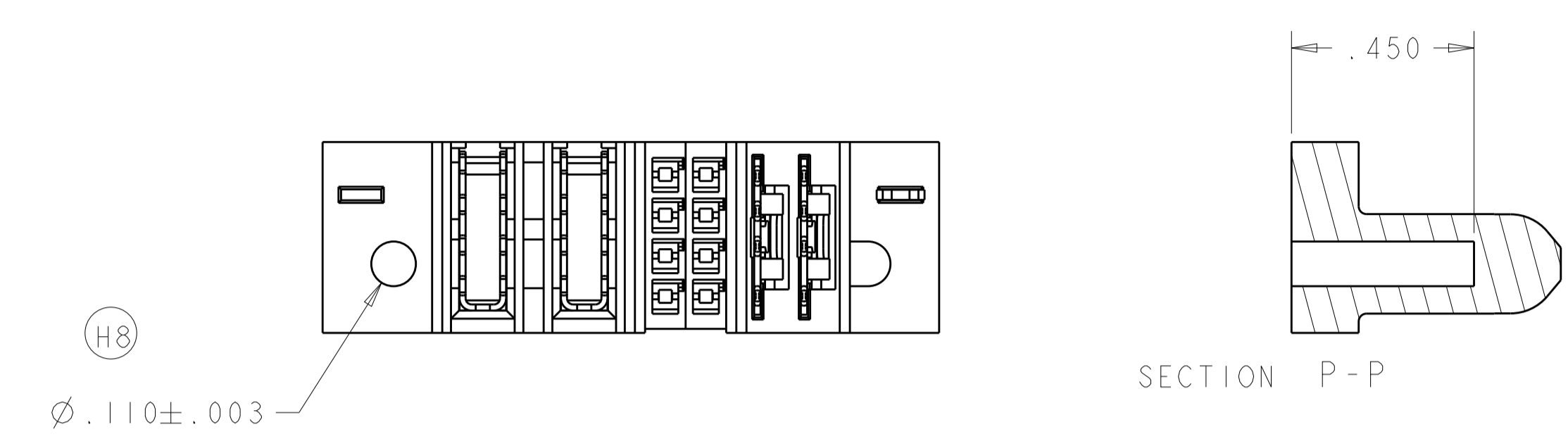


|  |  |                        |                             |   |
|--|--|------------------------|-----------------------------|---|
| THIS DRAWING IS A CONTROLLED DOCUMENT.   |  | DWN: D. ZHU            | 20DEC2007                   | TE Connectivity   |
| DIMENSIONS: INCHES   |  | CHK: S. ZHAO           | 20DEC2007                   |   |
| DIMENSIONS: INCHES<br>TOLERANCES UNLESS OTHERWISE SPECIFIED:<br>0 PLC ±.<br>1 PLC ±.01<br>2 PLC ±.01<br>3 PLC ±.005<br>4 PLC ±.0020<br>ANGLES ±.2° |  | APVD: S. ZHAO          | -                           | NAME: VER RECEP ASSEMBLY SHORT GUIDES, PRESS FIT MULTI-BEAM XLE |
| MATERIAL: -  |  | PRODUCT SPEC: 108-2292 | APPLICATION SPEC: 114-13251 | SIZE: A1  |
| FINISH: -  |  | WEIGHT: -              | CAGE CODE: -                | DRAWING NO: 6450860   |
| CUSTOMER DRAWING   |  | SCALE: N/A             | SHEET: 18                   | OF: 28  |
|  |  | REV: K2                |                             |   |

| LOC       | DIST | REV | DATE        | BY   | APPD |
|-----------|------|-----|-------------|------|------|
| ES        | 00   |     |             |      |      |
| REVISIONS |      |     | DESCRIPTION | DATE | BY   |
|           |      |     | SEE SHEET 1 |      |      |



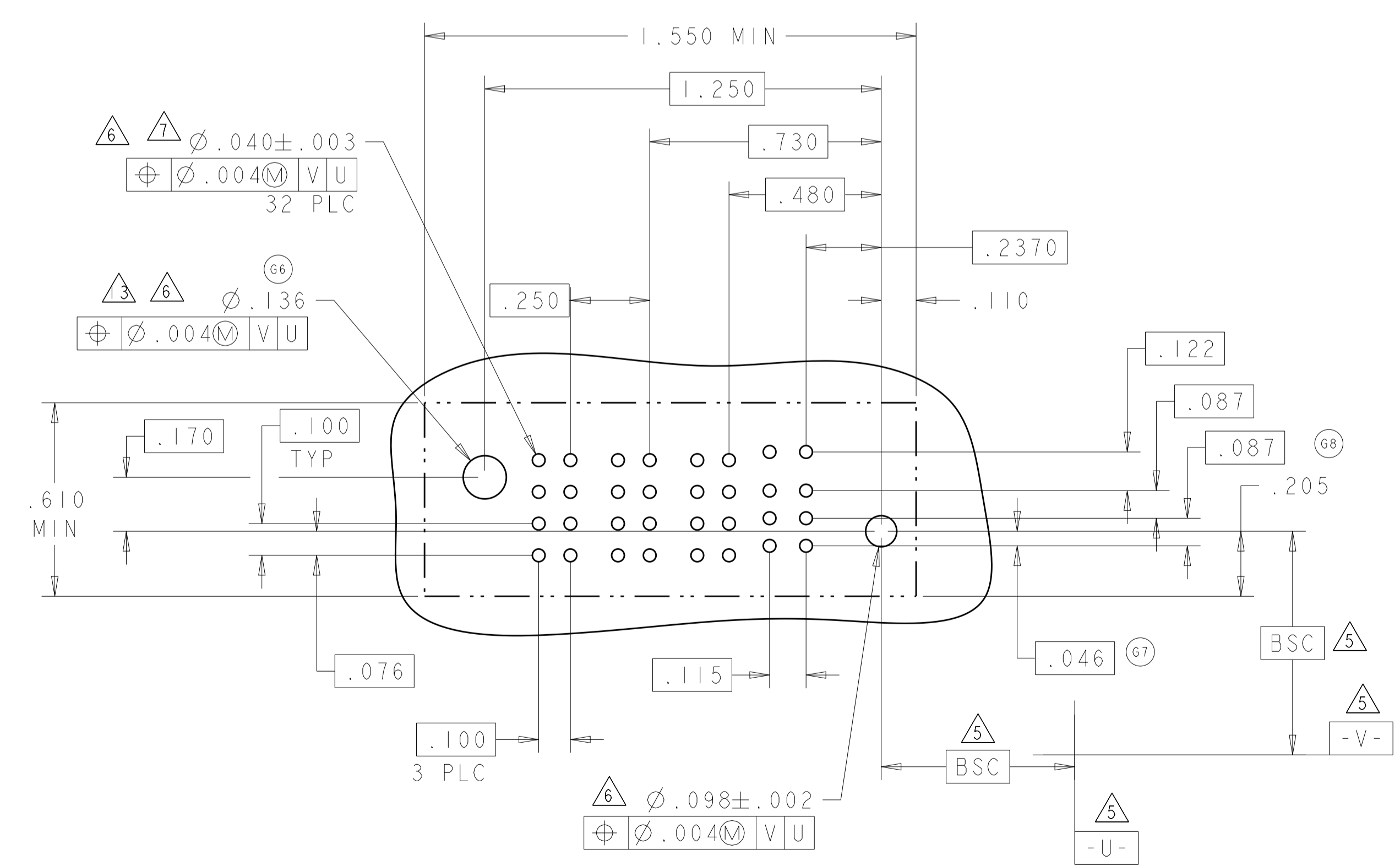
3-6450860-2



3-6450860-3

| PART NUMBER | ROWS             | POWER         |    | SIGNAL |    |    |    | POWER |    |
|-------------|------------------|---------------|----|--------|----|----|----|-------|----|
|             |                  | P4            | P3 | 3      | 2  | 1  | 2  | P2    | P1 |
| 3-6450860-2 | D<br>C<br>B<br>A | GS            | GS | AP     | AP | AP | AP | GS    | GS |
|             |                  | 2P + 16S + 2P |    |        |    |    |    |       |    |

| PART NUMBER | ROWS             | POWER         |    | SIGNAL |    | POWER |     |
|-------------|------------------|---------------|----|--------|----|-------|-----|
|             |                  | P4            | P3 | 2      | 1  | P2    | P1  |
| 3-6450860-3 | D<br>C<br>B<br>A | GS            | GS | AP     | AP | LSI   | LSI |
|             |                  | 2LP + 8S + 2P |    |        |    |       |     |



THIS DRAWING IS A CONTROLLED DOCUMENT.

|             |  |                             |                        |                     |  |
|-------------|--|-----------------------------|------------------------|---------------------|--|
| DIMENSIONS: | TOLERANCES UNLESS OTHERWISE SPECIFIED:   | DRN: D. ZHU                 | 20DEC2007              |                     | TE Connectivity  |
| INCHES:     | 0 PLC ±.01<br>1 PLC ±.01<br>2 PLC ±.01<br>3 PLC ±.005<br>4 PLC ±.002<br>ANGLES ±.020 | CHK: S. ZHAO                | 20DEC2007              |                     | NAME: VER RECEPT ASSEMBLY<br>SHORT GUIDES, PRESS FIT<br>MULTI-BEAM XLE |
| MATERIAL:   | FINISH:  | APVD: S. ZHAO               | PRODUCT SPEC: 108-2292 | SIZE: A1            | CAGE CODE: 100779  |
|             |  | APPLICATION SPEC: 114-13251 | WEIGHT:                | DRAWING NO: 6450860 |  |
|             |  |                             | CUSTOMER DRAWING       | SCALE: N/A          | SHEET 19 OF 28   |

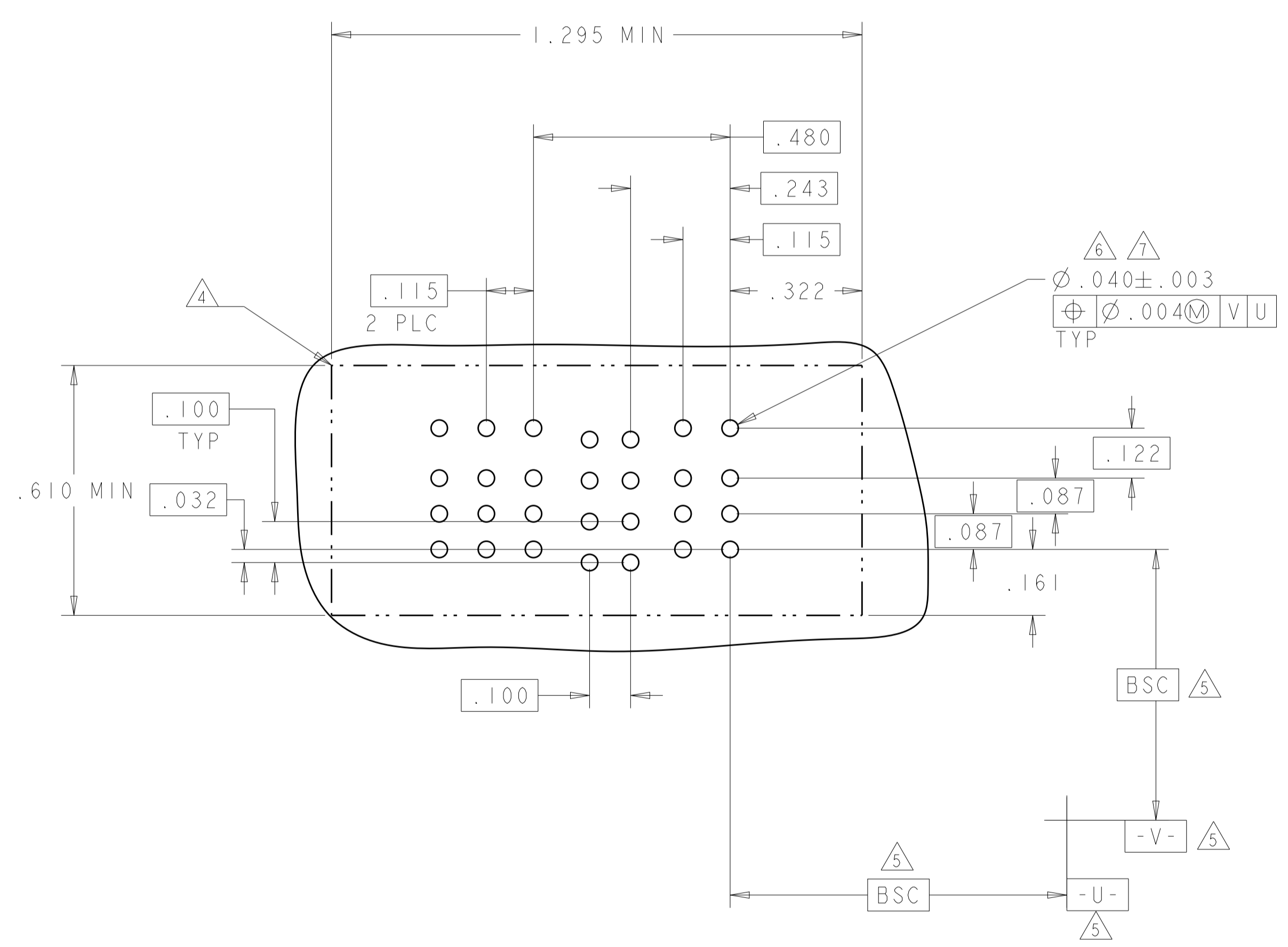


| LOC |    | DIST |     | REVISIONS   |      |     |      |
|-----|----|------|-----|-------------|------|-----|------|
| ES  | 00 | P    | LTH | DESCRIPTION | DATE | OWN | APVD |
|     |    | -    |     | SEE SHEET 1 |      |     |      |

| PART NUMBER | ROWS | POWER |     |     | SIGNAL |    | POWER |     |
|-------------|------|-------|-----|-----|--------|----|-------|-----|
|             |      | P5    | P4  | P3  | 2      | 1  | P2    | P1  |
| 3-6450860-4 | D    | LSI   | LSI | LSI | AP     | AP | LSI   | LSI |
|             | C    |       |     |     | AP     | AP |       |     |
|             | B    |       |     |     | AP     | AP |       |     |
|             | A    |       |     |     | AP     | AP |       |     |

2LP + 8S + 3LP

G3



| PART NUMBER | ROWS | POWER |    | SIGNAL |    |    |    |    |    |    |    |    |    |    |    | POWER |    |    |
|-------------|------|-------|----|--------|----|----|----|----|----|----|----|----|----|----|----|-------|----|----|
|             |      | P4    | P3 | 12     | 11 | 10 | 9  | 8  | 7  | 6  | 5  | 4  | 3  | 2  | 1  | P2    | P1 |    |
| 3-6450860-6 | D    | GS    | GS | AP     | AP | AP | AP | AP | AP | AP | AP | AP | AP | AP | AP | AP    | AP | AP |
|             | C    |       |    | AP     | AP | AP | AP | AP | AP | AP | AP | AP | AP | AP | AP | AP    | AP | AP |
|             | A    |       |    | AP     | AP | AP | AP | AP | AP | AP | AP | AP | AP | AP | AP | AP    | AP | AP |

2P + 48S + 2P

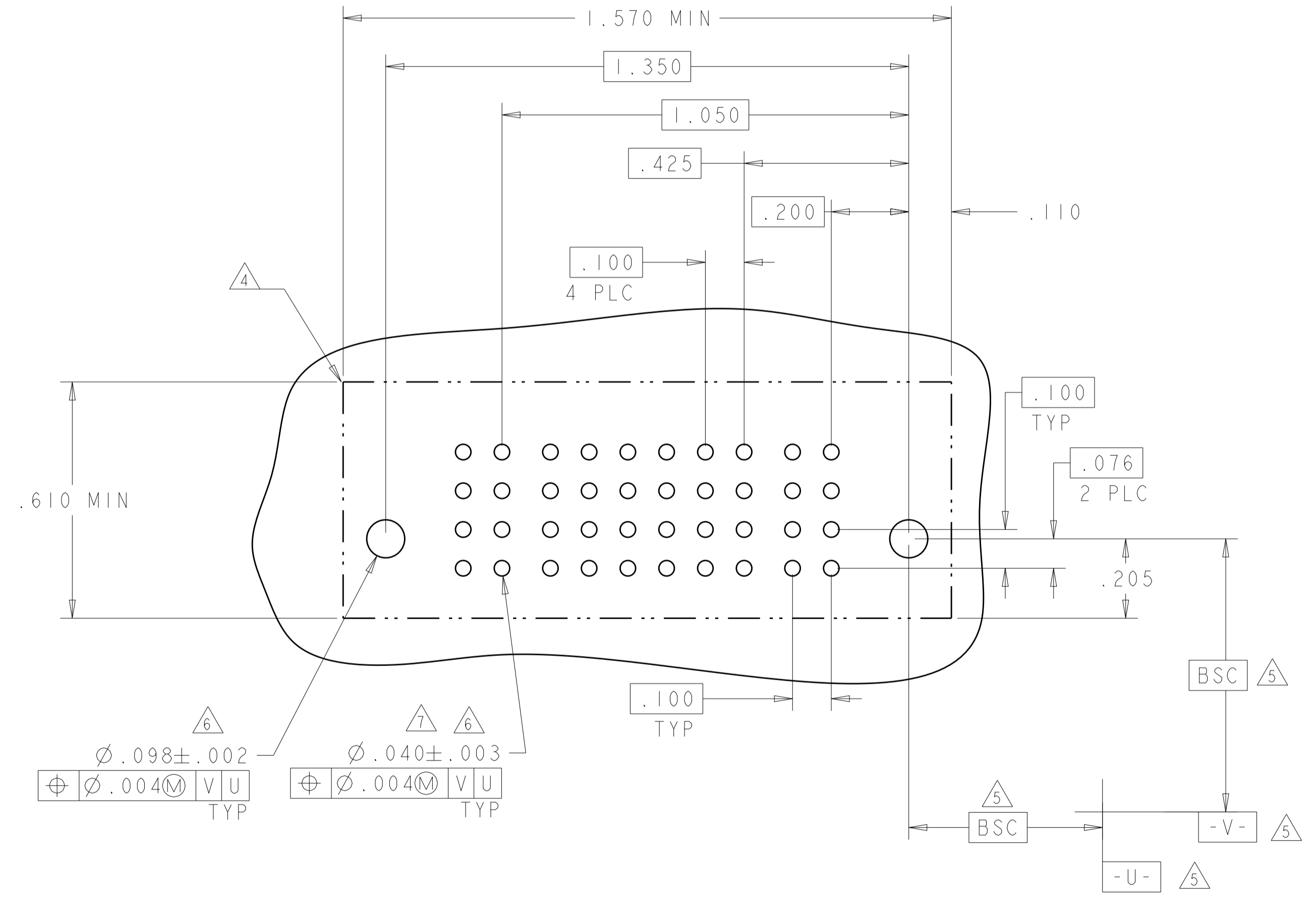


|  |  |                  |                |   |
|--|--|------------------|----------------|---|
| THIS DRAWING IS A CONTROLLED DOCUMENT. |  | OWN: D. ZHU      | 20DEC2007      | TE Connectivity   |
| DIMENSIONS: INCHES                     |  | CHK: S. ZHAO     | 20DEC2007      |   |
| TOLERANCES UNLESS OTHERWISE SPECIFIED: |  | APVD: S. ZHAO    |                | VER RECEP ASSEMBLY<br>SHORT GUIDES, PRESS FIT<br>MULTI-BEAM XLE |
| 0 PLC ±                                |  | PRODUCT SPEC     |                |   |
| 1 PLC ±.01                             |  | APPLICATION SPEC | 108-2292       |   |
| 2 PLC ±.005                            |  | APVD: S. ZHAO    | 114-13251      |   |
| 3 PLC ±.0020                           |  | SIZE: A100779    | C=6450860      | RESTRICTED TO   |
| 4 PLC ±.0020                           |  | SCALE: N/A       | SHEET 21 OF 28 | REV: K2   |
| ANGLES: ±.7°                           |  | CUSTOMER DRAWING |                |   |

| LOC |    | DIST |     | REVISIONS   |      |     |      |
|-----|----|------|-----|-------------|------|-----|------|
| ES  | 00 | P    | LTN | DESCRIPTION | DATE | DMN | APVD |
|     |    |      |     | SEE SHEET 1 |      |     |      |

| PART NUMBER    | ROWS             |    | POWER |    |    | SIGNAL |     |     |     | POWER |  |  |  |  |  |
|----------------|------------------|----|-------|----|----|--------|-----|-----|-----|-------|--|--|--|--|--|
|                |                  |    | PI    | 3  | 2  | 1      | LP4 | LP3 | LP2 | LP1   |  |  |  |  |  |
| 3-6450860-9    | D<br>C<br>B<br>A | GS | AP    | AP | AP |        |     |     |     |       |  |  |  |  |  |
|                |                  |    | AP    | AP | AP |        |     |     |     |       |  |  |  |  |  |
|                |                  |    | AP    | AP | AP |        |     |     |     |       |  |  |  |  |  |
|                |                  |    | AP    | AP | AP |        |     |     |     |       |  |  |  |  |  |
| 4LP + 12S + IP |                  |    |       |    |    |        |     |     |     |       |  |  |  |  |  |

| PART NUMBER   | ROWS             |    | POWER |    | SIGNAL |    |    |    |    |    | POWER |    |    |    |
|---------------|------------------|----|-------|----|--------|----|----|----|----|----|-------|----|----|----|
|               |                  |    | P2    | P1 | 6      | 5  | 4  | 3  | 2  | 1  | PI    |    |    |    |
| 4-6450860-0   | D<br>C<br>B<br>A | GS | AP    | AP | AP     | AP | AP | AP | AP | AP | AP    | AP | AP | AP |
|               |                  |    | AP    | AP | AP     | AP | AP | AP | AP | AP | AP    | AP | AP | AP |
|               |                  |    | AP    | AP | AP     | AP | AP | AP | AP | AP | AP    | AP | AP | AP |
|               |                  |    | AP    | AP | AP     | AP | AP | AP | AP | AP | AP    | AP | AP | AP |
| IP + 24S + IP |                  |    |       |    |        |    |    |    |    |    |       |    |    |    |



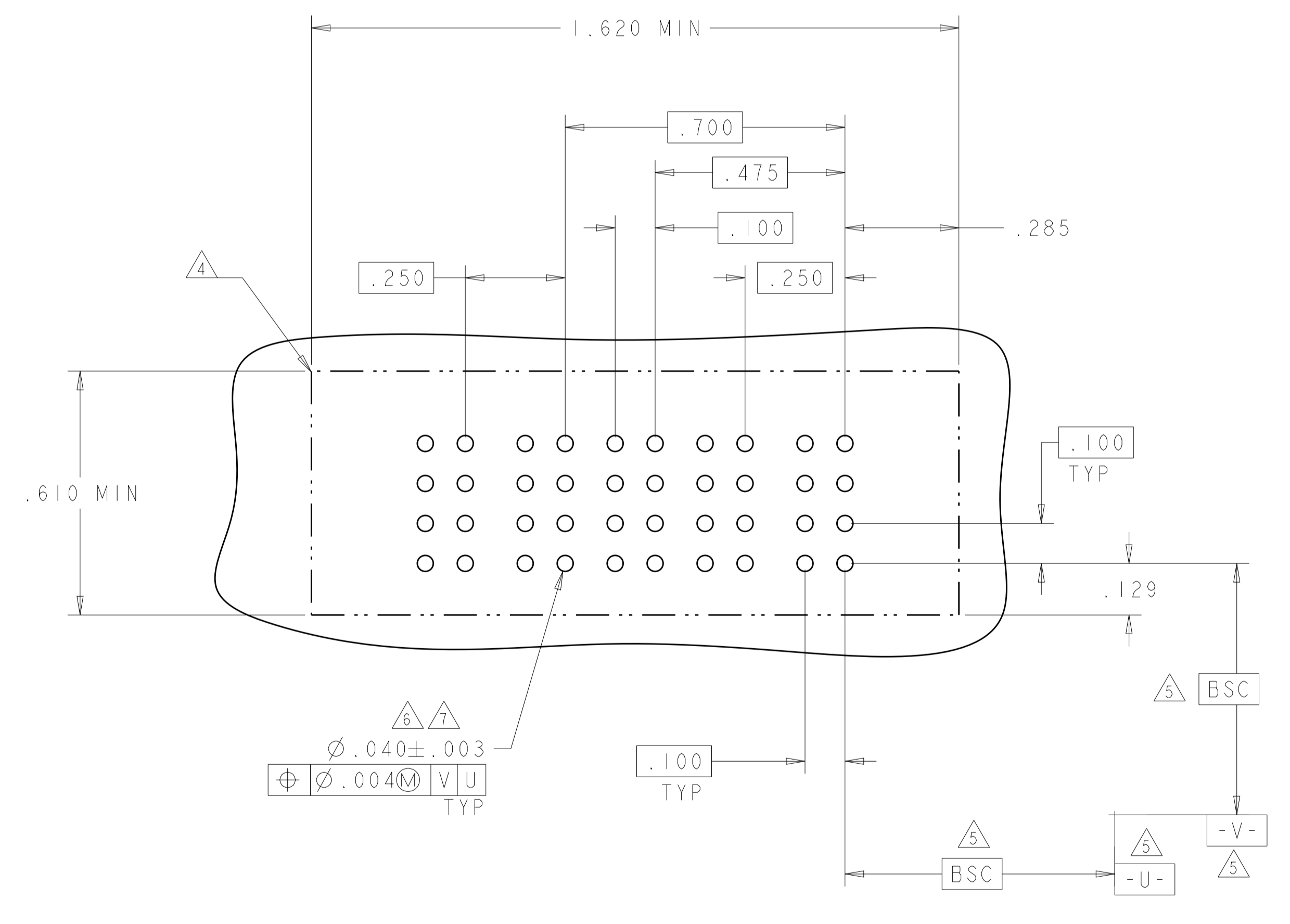
THIS DRAWING IS A CONTROLLED DOCUMENT. DWN: D.ZHU, ZODEC2007  
 CHK: S.ZHAO, ZODEC2007  
 APVD: S.ZHAO

|             |  |                  |   |
|-------------|--|------------------|---|
| DIMENSIONS: | TOLERANCES UNLESS OTHERWISE SPECIFIED: | NAME             | TE Connectivity<br>VER RECEPT ASSEMBLY<br>SHORT GUIDES, PRESS FIT<br>MULTI-BEAM XLE |
| INCHES      | 0 PLC ± .01                            | PRODUCT SPEC     |   |
|             | 1 PLC ± .01                            | 108-2292         |   |
|             | 2 PLC ± .01                            | APPLICATION SPEC |   |
|             | 3 PLC ± .005                           | 114-13251        | SIZE: CAGE CODE: DRAWING NO: RESTRICTED TO  |
|             | 4 PLC ± .002                           | 114-13251        | A100779C=6450860  |
|             | ANGLES ± .020                          | WEIGHT           | SCALE: N/A SHEET 22 OF 28 REV: K2   |
| MATERIAL:   | FINISH:                                | CUSTOMER DRAWING |   |

| LOC |    | DIST |     | REVISIONS   |      |     |      |
|-----|----|------|-----|-------------|------|-----|------|
| ES  | 00 | P    | LYN | DESCRIPTION | DATE | OWN | APVD |
|     |    |      |     | SEE SHEET 1 |      |     |      |

| PART NUMBER       | ROWS             | POWER |    |    |    | SIGNAL |    |    |    |    | POWER |    |    |    |  |  |  |
|-------------------|------------------|-------|----|----|----|--------|----|----|----|----|-------|----|----|----|--|--|--|
|                   |                  | P8    | P7 | P6 | P5 | 5      | 4  | 3  | 2  | 1  | P4    | P3 | P2 | P1 |  |  |  |
| 4-6450860-1       | D<br>C<br>B<br>A | GS    | GS | GS | GS | AP     | AP | AP | AP | AP | GS    | GS | GS | GS |  |  |  |
|                   |                  |       |    |    |    | AP     | AP | AP | AP | AP |       |    |    |    |  |  |  |
|                   |                  |       |    |    |    | AP     | AP | AP | AP | AP |       |    |    |    |  |  |  |
| 4HDP + 20S + 4HDP |                  | HD    |    | HD |    |        |    |    |    |    |       |    |    |    |  |  |  |

| PART NUMBER  | ROWS             | POWER |    | SIGNAL |    | POWER |    |
|--------------|------------------|-------|----|--------|----|-------|----|
|              |                  | P4    | P3 | 2      | 1  | P2    | P1 |
| 4-6450860-3  | D<br>C<br>B<br>A | GS    | GS | AP     | AP | GS    | GS |
|              |                  |       |    | AP     | AP |       |    |
|              |                  |       |    | AP     | AP |       |    |
| 2P + 8S + 2P |                  | HD    |    | HD     |    |       |    |



THIS DRAWING IS A CONTROLLED DOCUMENT.

|                       |   |  |                             |                     |  |
|-----------------------|---|--|-----------------------------|---------------------|--|
| DIMENSIONS:<br>INCHES | TOLERANCES UNLESS OTHERWISE SPECIFIED:<br>0 PLC ±.<br>1 PLC ±.01<br>2 PLC ±.01<br>3 PLC ±.005<br>4 PLC ±.002<br>ANGLES ±.2° | OWN: D. ZHU<br>CHK: S. ZHAO<br>APVD: S. ZHAO | DATE: 20DEC2007             | <br>TE Connectivity |  |
| MATERIAL:             | FINISH:   | PRODUCT SPEC: 108-2292                       | APPLICATION SPEC: 114-13251 |                     | NAME: VER RECEPT ASSEMBLY<br>SHORT GUIDES, PRESS FIT<br>MULTI-BEAM XLE |
| CUSTOMER DRAWING      |   | SIZE: A1                                     | CAGE CODE: 100779           | DRAWING NO: 6450860 | RESTRICTED TO: -   |
|                       |   | SCALE: N/A                                   | SHEET: 23                   | OF: 28              | REV: K2  |

| LOC | DIST | REVISIONS   |      |     |      |
|-----|------|-------------|------|-----|------|
| P   | LTN  | DESCRIPTION | DATE | DWN | APVD |
| ES  | 00   | SEE SHEET 1 | -    | -   | -    |
|     |      |             |      |     |      |
|     |      |             |      |     |      |



4-6450860-2

| PART NUMBER   | ROWS             | POWER |    | SIGNAL |    | POWER |     |
|---------------|------------------|-------|----|--------|----|-------|-----|
|               |                  | P4    | P3 | 2      | 1  | P2    | P1  |
| 4-6450860-2   | D<br>C<br>B<br>A | GS    | GP | AP     | AP | LSI   | LSI |
| 2LP + 8S + 2P |                  |       |    |        |    | HD    |     |



RECOMMENDED PCB LAYOUT

|   |  |                          |   |                 |
|---|--|--------------------------|---|-----------------|
| THIS DRAWING IS A CONTROLLED DOCUMENT.  |  | DWN<br>D. ZHU            | 20DEC2007   | TE Connectivity |
| DIMENSIONS:<br>INCHES   |  | CHK<br>S. ZHAO           | 20DEC2007   |                 |
| TOLERANCES UNLESS OTHERWISE SPECIFIED:<br>0 PLC ±<br>1 PLC ±.01<br>2 PLC ±.01<br>3 PLC ±.005<br>4 PLC ±.0020<br>ANGLES ±.2° |  | APVD<br>S. ZHAO          | NAME<br>VER RECEP ASSEMBLY<br>SHORT GUIDES, PRESS FIT<br>MULTI-BEAM XLE |                 |
| MATERIAL  |  | PRODUCT SPEC<br>108-2292 | APPLICATION SPEC<br>114-13251   | RESTRICTED TO   |
| FINISH  |  | WEIGHT                   | SCALE<br>N/A  | SHEET 24 OF 28  |
| CUSTOMER DRAWING  |  | A100779C=6450860         |   | REV<br>K2       |



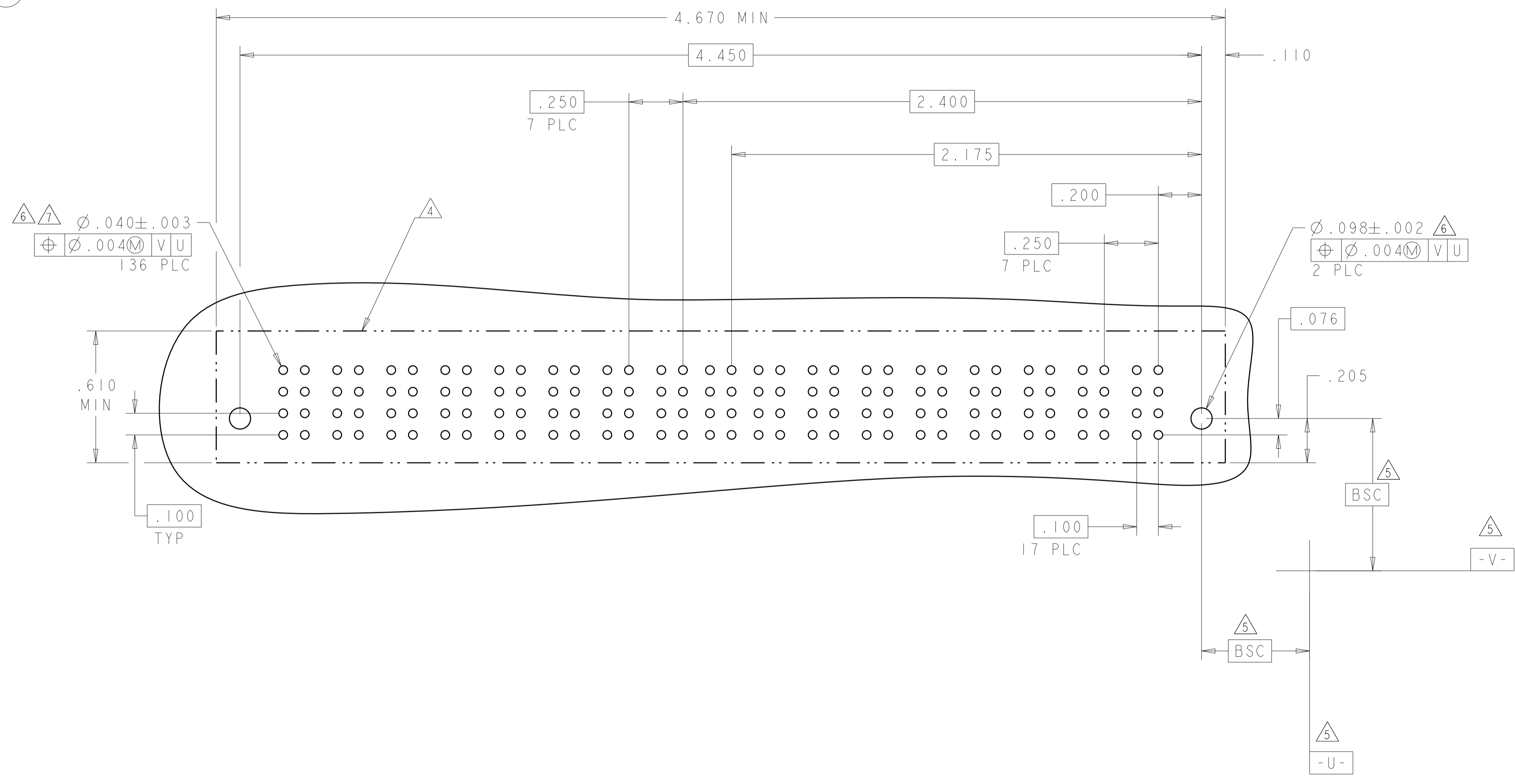
| LOC | DIST | REV | DATE | BY | APP'D |
|-----|------|-----|------|----|-------|
| ES  | 00   |     |      |    |       |

| REVISIONS |      |             |    |       |      |
|-----------|------|-------------|----|-------|------|
| REV       | DATE | DESCRIPTION | BY | APP'D | DATE |
| -         | -    | SEE SHEET 1 | -  | -     | -    |

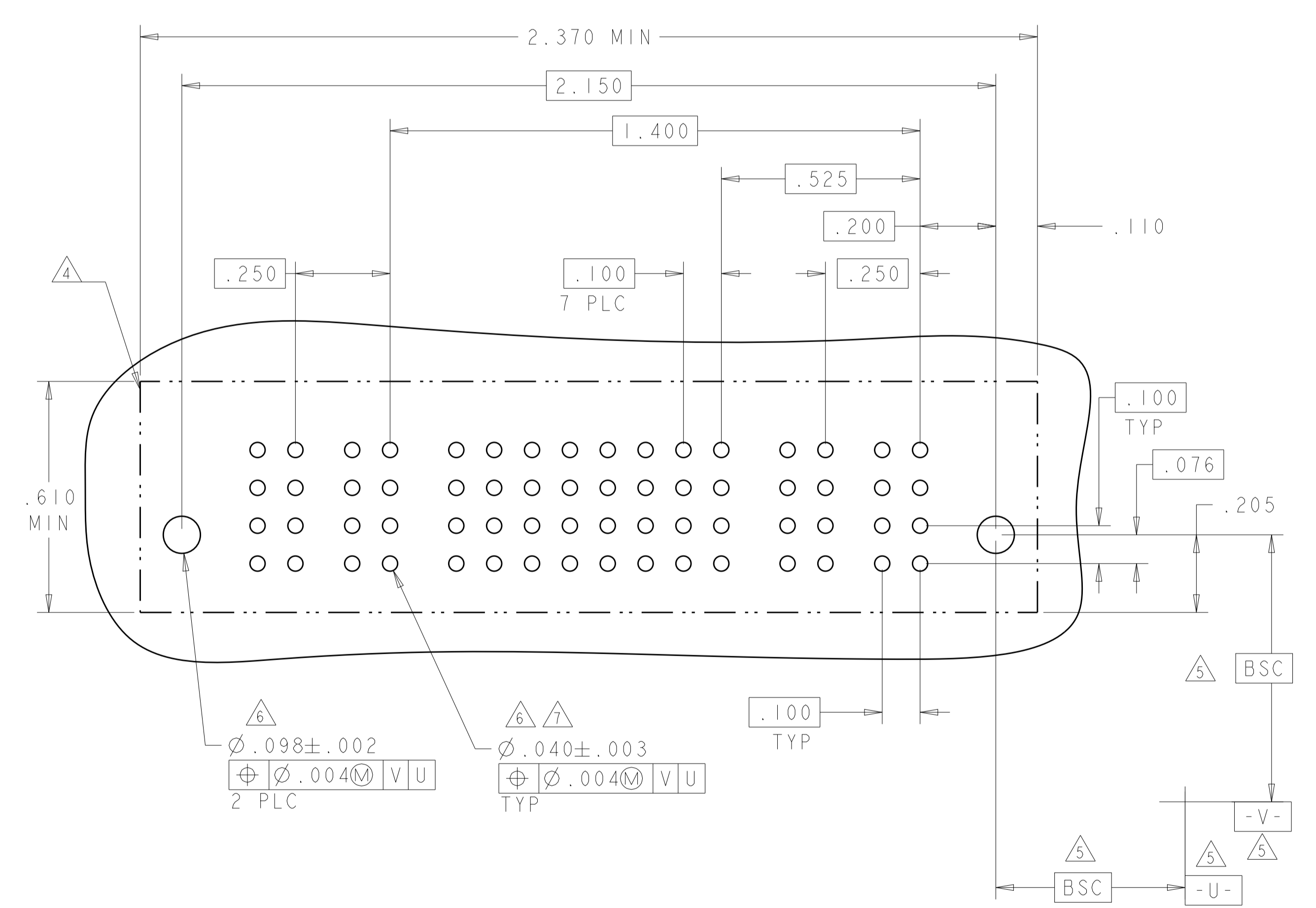
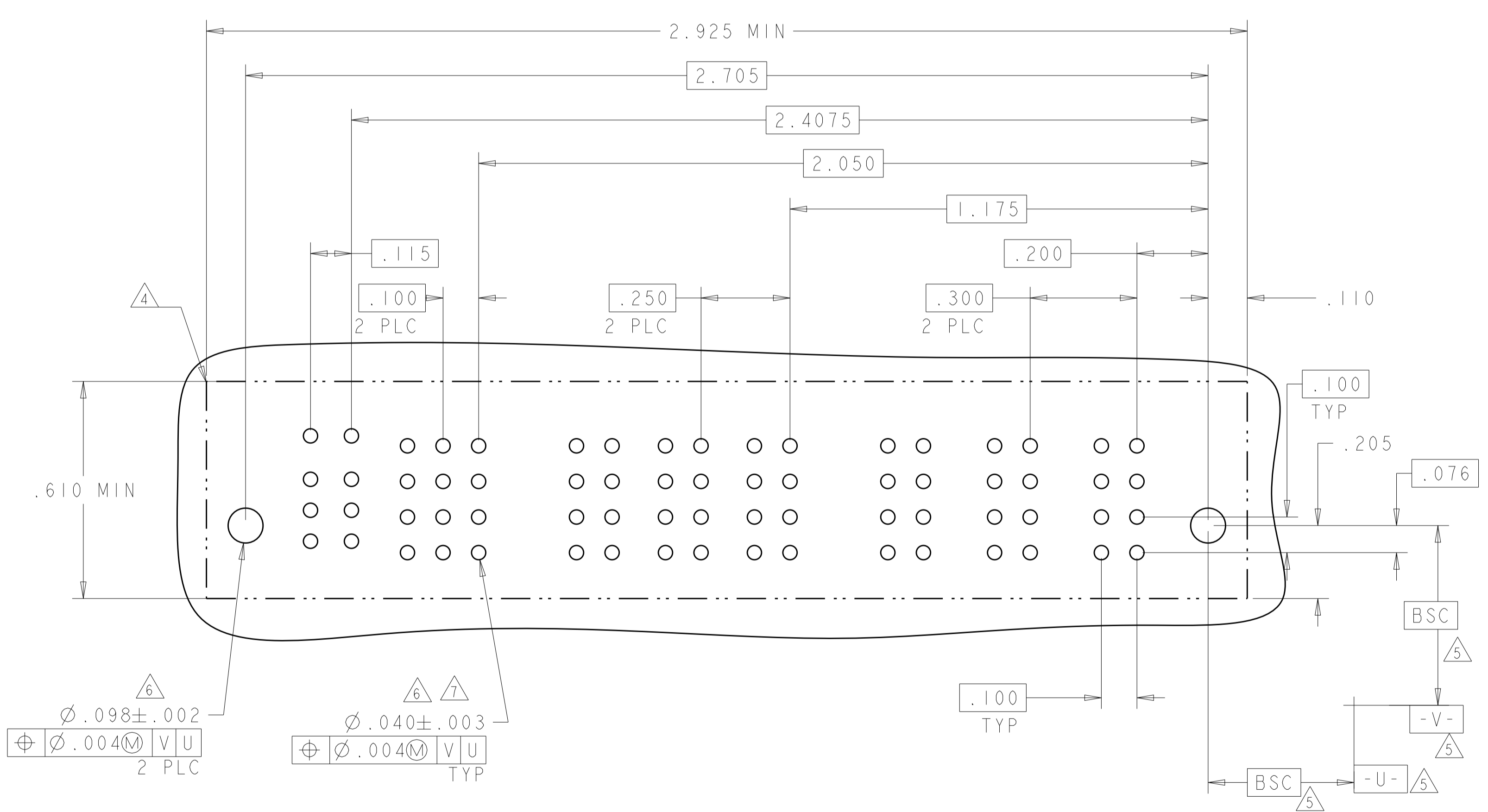
| PART NUMBER  | ROWS             | POWER |     |     |     |     |     |     |    | SIGNAL |    | POWER |    |    |    |    |    |    |    |
|--------------|------------------|-------|-----|-----|-----|-----|-----|-----|----|--------|----|-------|----|----|----|----|----|----|----|
|              |                  | P16   | P15 | P14 | P13 | P12 | P11 | P10 | P9 | 2      | 1  | P8    | P7 | P6 | P5 | P4 | P3 | P2 | P1 |
| 4-6450860-4  | D<br>C<br>B<br>A | GS    | GS  | GS  | GS  | GS  | GS  | GS  | GS | GS     | GS | GS    | GS | GS | GS | GS | GS | GS | GS |
| 8P + 8S + 8P |                  |       |     |     |     |     |     |     |    |        |    |       |    |    |    |    |    |    |    |

J2



|  |  |                  |           |   |
|--|--|------------------|-----------|---|
| THIS DRAWING IS A CONTROLLED DOCUMENT. |  | OWN: D. ZHU      | 20DEC2007 | TE Connectivity   |
| DIMENSIONS: INCHES                     |  | CHK: S. ZHAO     | 20DEC2007 |   |
| TOLERANCES UNLESS OTHERWISE SPECIFIED: |  | APVD: S. ZHAO    |           | VER RECEP ASSEMBLY<br>SHORT GUIDES, PRESS FIT<br>MULTI-BEAM XLE |
| 0 PLC ±                                |  | PRODUCT SPEC     |           |   |
| 1 PLC ±.01                             |  | 108-2292         |           |   |
| 2 PLC ±.01                             |  | APPLICATION SPEC |           |   |
| 3 PLC ±.005                            |  | 114-13251        |           | SIZE: A100779   |
| 4 PLC ±.0020                           |  | WEIGHT           |           | CAGE CODE: C=6450860  |
| ANGLES ±.2°                            |  | FINISH           |           | SCALE: N/A  |
| MATERIAL                               |  | FINISH           |           | SHEET 25 OF 28  |
| MATERIAL                               |  | FINISH           |           | REV: K2   |
| MATERIAL                               |  | FINISH           |           | CUSTOMER DRAWING  |

| LOC |    | DIST |     | REVISIONS   |      |     |      |
|-----|----|------|-----|-------------|------|-----|------|
| ES  | 00 | P    | LTN | DESCRIPTION | DATE | DMN | APVD |
|     |    | -    |     | SEE SHEET 1 |      |     |      |

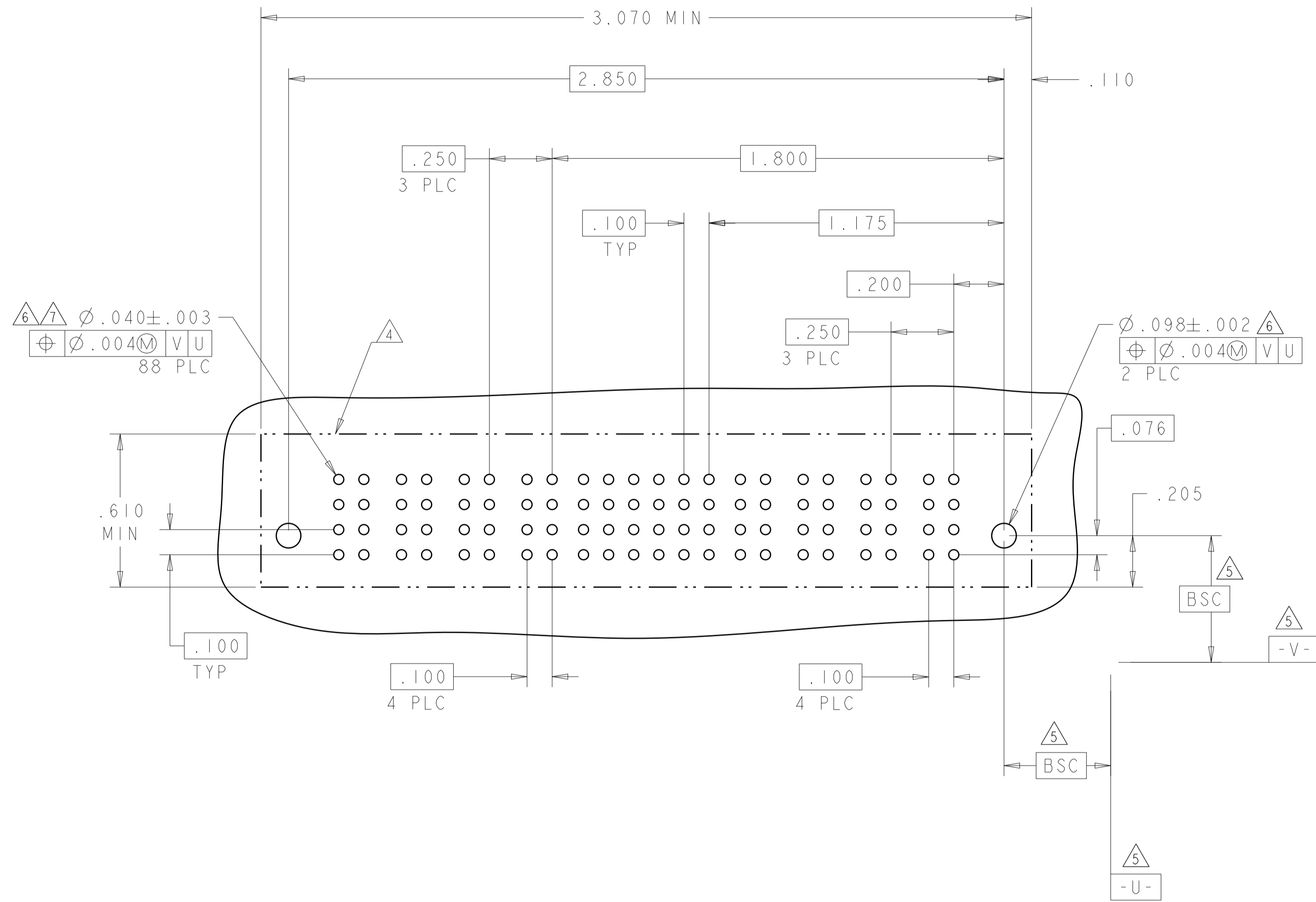


|  |  |                  |           |  |
|--|--|------------------|-----------|--|
| THIS DRAWING IS A CONTROLLED DOCUMENT. |  | DMN: D. ZHU      | 20DEC2007 | <b>STE</b> TE Connectivity                                       |
| DIMENSIONS: INCHES                     |  | CHK: S. ZHAO     | 20DEC2007 |  |
| TOLERANCES UNLESS OTHERWISE SPECIFIED: |  | APVD: S. ZHAO    |           | VER RECEPT ASSEMBLY<br>SHORT GUIDES, PRESS FIT<br>MULTI-BEAM XLE |
| 0 PLC ± .01                            |  | PRODUCT SPEC     | 108-2292  |  |
| 1 PLC ± .01                            |  | APPLICATION SPEC | 114-13251 |  |
| 2 PLC ± .005                           |  | SIZE             | A100779   |  |
| 3 PLC ± .002                           |  | WEIGHT           |           | SCALE: N/A   |
| 4 PLC ± .0020                          |  | CUSTOMER DRAWING |           | SHEET 26 OF 28   |
| ANGLES ± .020                          |  |                  |           | REV: K2  |
| FINISH                                 |  |                  |           |  |

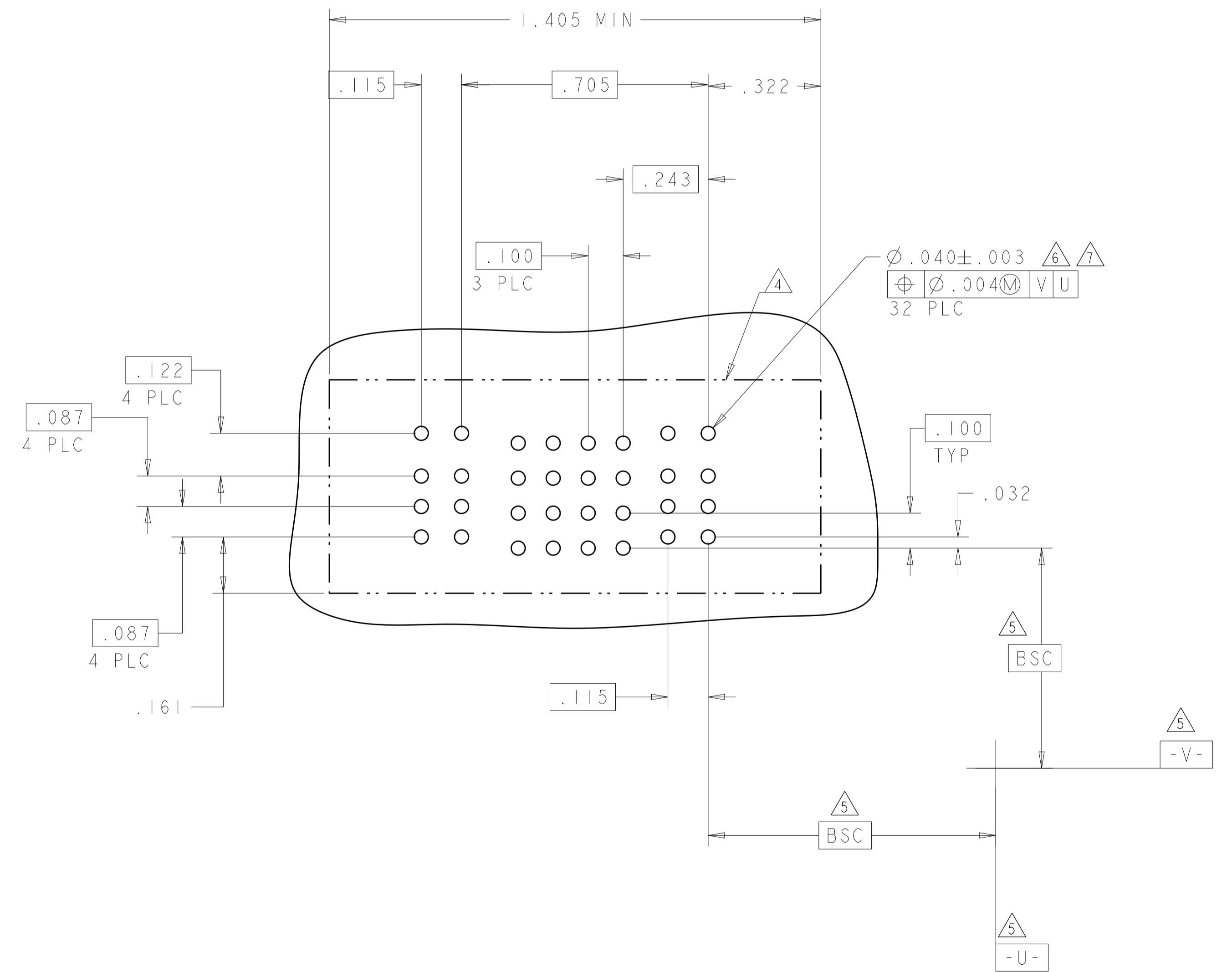
| LOC | DIST | REVISIONS   |      |     |      |
|-----|------|-------------|------|-----|------|
| P   | LTN  | DESCRIPTION | DATE | OWN | APVD |
| -   | -    | SEE SHEET 1 | -    | -   | -    |

| PART NUMBER   | ROWS | POWER |    |    |    | SIGNAL |    |    |    |    | POWER |    |    |    |    |
|---------------|------|-------|----|----|----|--------|----|----|----|----|-------|----|----|----|----|
|               |      | P8    | P7 | P6 | P5 | 6      | 5  | 4  | 3  | 2  | 1     | P4 | P3 | P2 | P1 |
| 4-6450860-7   | D    | GS    | GS | GS | GS | AP     | AP | AP | AP | AP | AP    | GS | GS | GS | GS |
|               | C    |       |    |    |    | AP     | AP | AP | AP | AP |       |    |    |    |    |
|               | B    |       |    |    |    | AP     | AP | AP | AP | AP |       |    |    |    |    |
|               | A    |       |    |    |    | AP     | AP | AP | AP | AP |       |    |    |    |    |
| 4P + 24S + 4P |      | HD    |    |    |    |        |    |    |    |    |       |    |    |    | HD |

| PART NUMBER     | ROWS | LOW POWER |     | SIGNAL |    |    |    | LOW POWER |     |
|-----------------|------|-----------|-----|--------|----|----|----|-----------|-----|
|                 |      | P4        | P3  | 4      | 3  | 2  | 1  | P2        | P1  |
| 4-6450860-8     | D    | LS1       | LS1 | AP     | AP | AP | AP | LS1       | LS1 |
|                 | C    |           |     | AP     | AP | AP | AP |           |     |
|                 | B    |           |     | AP     | AP | AP | AP |           |     |
|                 | A    |           |     | AP     | AP | AP | AP |           |     |
| 2LP + 16S + 2LP |      |           |     |        |    |    |    |           |     |



J9



|  |  |                        |                             |  |
|--|--|------------------------|-----------------------------|--|
| THIS DRAWING IS A CONTROLLED DOCUMENT.   |  | OWN: D. ZHU            | 20DEC2007                   | <br>TE Connectivity  |
| DIMENSIONS: INCHES   |  | CHK: S. ZHAO           | 20DEC2007                   |  |
| TOLERANCES UNLESS OTHERWISE SPECIFIED:   |  | APVD: S. ZHAO          |                             | NAME: VER RECEPT ASSEMBLY SHORT GUIDES, PRESS FIT MULTI-BEAM XLE |
| 0 PLC ±.<br>1 PLC ±.<br>2 PLC ±.01<br>3 PLC ±.005<br>4 PLC ±.0020<br>ANGLES ±.7°<br>FINISH |  | PRODUCT SPEC: 108-2292 | APPLICATION SPEC: 114-13251 | SIZE: A1   |
| MATERIAL:  |  | WEIGHT:                |                             | CAGE CODE: 6450860   |
|  |  | CUSTOMER DRAWING       |                             | SCALE: N/A SHEET 27 OF 28 REV: K2                                |





Компания «ЭлектроПласт» предлагает заключение долгосрочных отношений при поставках импортных электронных компонентов на взаимовыгодных условиях!

Наши преимущества:

- Оперативные поставки широкого спектра электронных компонентов отечественного и импортного производства напрямую от производителей и с крупнейших мировых складов;
- Поставка более 17-ти миллионов наименований электронных компонентов;
- Поставка сложных, дефицитных, либо снятых с производства позиций;
- Оперативные сроки поставки под заказ (от 5 рабочих дней);
- Экспресс доставка в любую точку России;
- Техническая поддержка проекта, помощь в подборе аналогов, поставка прототипов;
- Система менеджмента качества сертифицирована по Международному стандарту ISO 9001;
- Лицензия ФСБ на осуществление работ с использованием сведений, составляющих государственную тайну;
- Поставка специализированных компонентов (Xilinx, Altera, Analog Devices, Intersil, Interpoint, Microsemi, Aeroflex, Peregrine, Syfer, Eurofarad, Texas Instrument, Miteq, Cobham, E2V, MA-COM, Hittite, Mini-Circuits, General Dynamics и др.);

Помимо этого, одним из направлений компании «ЭлектроПласт» является направление «Источники питания». Мы предлагаем Вам помощь Конструкторского отдела:

- Подбор оптимального решения, техническое обоснование при выборе компонента;
- Подбор аналогов;
- Консультации по применению компонента;
- Поставка образцов и прототипов;
- Техническая поддержка проекта;
- Защита от снятия компонента с производства.



#### Как с нами связаться

**Телефон:** 8 (812) 309 58 32 (многоканальный)

**Факс:** 8 (812) 320-02-42

**Электронная почта:** [org@eplast1.ru](mailto:org@eplast1.ru)

**Адрес:** 198099, г. Санкт-Петербург, ул. Калинина, дом 2, корпус 4, литера А.