

AC Axial Fan & Blower

*All products are RoHS compliant.



Table of Contents

| SUNON AC Axial Fan & Blower | | |
|---------------------------------------|----------------|------|
| | | Page |
| Engineering Information | | p.01 |
| Fan Model Numbering System | | p.02 |
| | | |
| AC Fan Series | Air Flow (CFM) | |
| 80x80x25mm | 17 ~ 22 | p.03 |
| 80x80x38mm | 23 ~ 31 | p.04 |
| 92x92x25mm | 21 ~ 37 | p.05 |
| 120x120x25mm (115V) | 46 ~ 80 | p.06 |
| 120x120x25mm (220-240V) | 46 ~ 80 | p.07 |
| 120x120x38mm (115V) | 70 ~ 117 | p.08 |
| 120x120x38mm (220-240V) | 70 ~ 117 | p.09 |
| 120x120x38mm (Low Power Consumption) | 54 ~ 85 | p.10 |
| 120x120x38mm (Plastic Frame) | 85 ~ 100 | p.11 |
| 120x120x38mm (New Type) | 95 ~ 117 | p.12 |
| 120x120x38mm (New Type-High Air Flow) | 112 ~ 124 | p.13 |
| 120x120x38mm (Dual AC Voltage) | 95 ~ 115 | p.14 |
| 120x120x38mm (Low Power Consumption) | 49 ~ 50 | p.15 |
| 171x151x51mm | 180 ~ 200 | p.16 |
| 171x151x51mm (Alveolate Motor) | 203 ~ 239 | p.17 |
| ø171x51mm (Alveolate Motor) | 203 ~ 239 | p.18 |
| 176x176x89mm (Alveolate Motor) | 315 ~ 335 | p.19 |
| ø254x89mm (Alveolate Motor) | 425 ~ 870 | p.20 |
| 120x120x31mm (Blower) | 20 ~ 22 | p.21 |

Certification



* Note: For critical or extreme environments, including non stop operation, please contact SUNON and we will gladly provide assistance with your product selection to ensure an appropriate cooling product for your application.

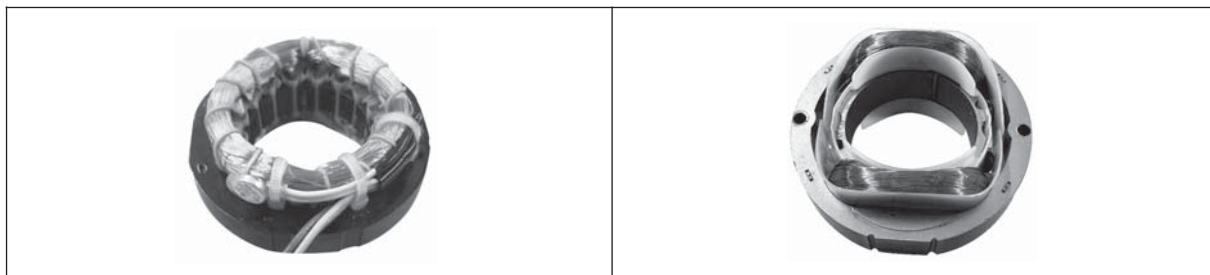
* Note: The "Life Expectancy" of the fan has not been evaluated for use in combination with any end application. Therefore, the Life Expectancy Test Reports(L10 and MTTF Report) that relate to the fan are only for reference.

ENGINEERING INFORMATION

Alveolate Motor AC fan series with automatic motor-wire wrapping technology ensures stable performance of high wind volume, low acoustic noise, also available with functions of dual spinning rate, and thermal cutout.



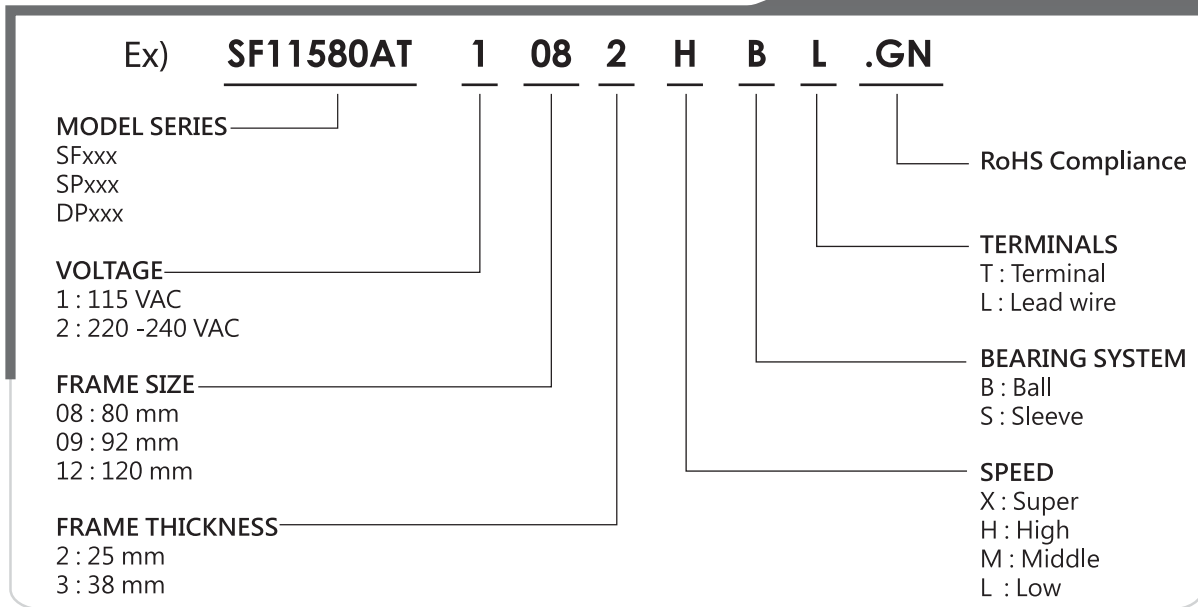
SUNON-Alveolate Motor VS. Traditional Shaded-pole Motor



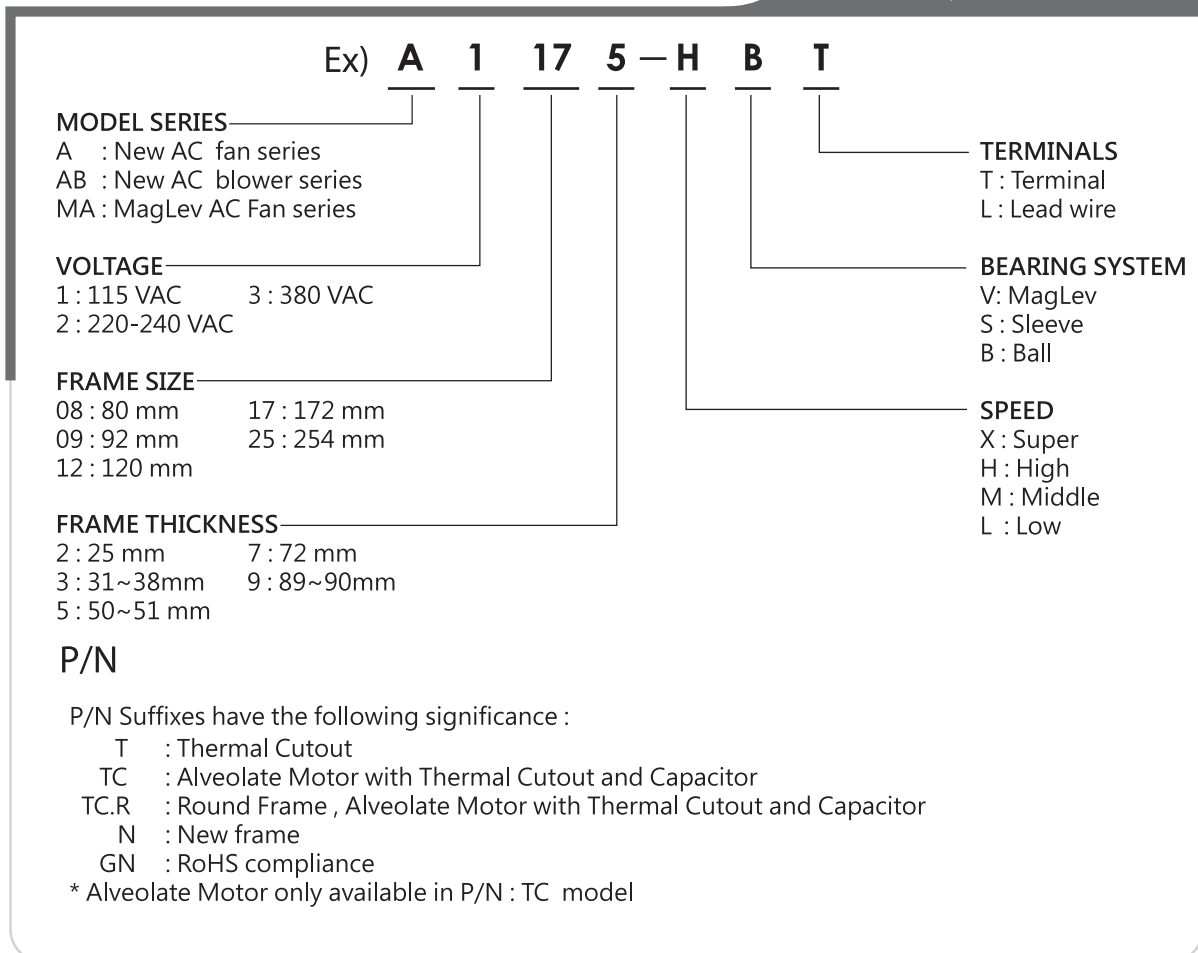
| SUNON-Alveolate Motor | Traditional Shaded-Pole Motor |
|--|---|
| 1.The Alvolate Motor is equipped with starting stator coils and working ones. The starting coils form a low starting voltage with the capacitors. For example, an 115VAC (the fixed voltage) Alveolate Motor can be started with 60 VAC. | 1.The Traditional Shaded-Pole Motor, designed with single-wire wrapping, is started by "the starting copper" and cannot be started with low voltage. An 115VAC Traditional Shaded-Pole motor will need more than 80VAC to run, 20VAC more than the Alveolate one. |
| 2.The coils do not produce high temperature and consumes less electricity. The temperature is normally around 50°C. Therefore, the motor is always stable and reliable. | 2.The Traditional Shaded-Pole Motor consumes electricity twice as much as the Alveolate Motor. It is not reliable because the temperature is usually higher than 70°C. |
| 3.The Thermal Cutout can protect the motor. | 3.The Thermal Cutout is an option. |
| 4.The motor has a large torsion to produce high wind pressure and wind volume. | 4.General wind pressure and wind volume. |
| 5.The motor is equipped with the third wire, ready to comply with the customer's systems. | 5.Without the third wire. |

■ AC Fan Model Numbering System

General AC Fan



New Type AC Fan



80x80x25 mm

17~22 CFM



■ Specifications

| Model | P/N | Bearing | Rating Voltage | Freq. | Power Current | Power Consumption | Speed | Air Flow | Static Pressure | Noise | Weight |
|-----------|------------|------------------------------|----------------|-------|---------------|-------------------|-----------|----------|-------------------------|---------|--------|
| | | ● VAPO ○ BALL ○ Sleeve | (VAC) | (Hz) | (AMP) | (WATTS) | (RPM) | (CFM) | (Inch-H ₂ O) | (dB(A)) | (g) |
| SF11580AT | 1082HSL.GN | ● | 115 | 50/60 | 0.12/0.10 | 12/11 | 2300/2750 | 17/21 | 0.12/0.18 | 29/33 | 260 |
| SF11580AT | 1082HBL.GN | ○ | 115 | 50/60 | 0.12/0.10 | 12/11 | 2450/2900 | 18/22 | 0.13/0.19 | 30/34.5 | 260 |
| SF23080AT | 2082HSL.GN | ● | 220-240 | 50/60 | 0.07/0.07 | 14/13.5 | 2300/2750 | 17/21 | 0.12/0.18 | 29/33 | 260 |
| SF23080AT | 2082HBL.GN | ○ | 220-240 | 50/60 | 0.07/0.07 | 14/13.5 | 2450/2900 | 18/22 | 0.13/0.19 | 30/34.5 | 260 |

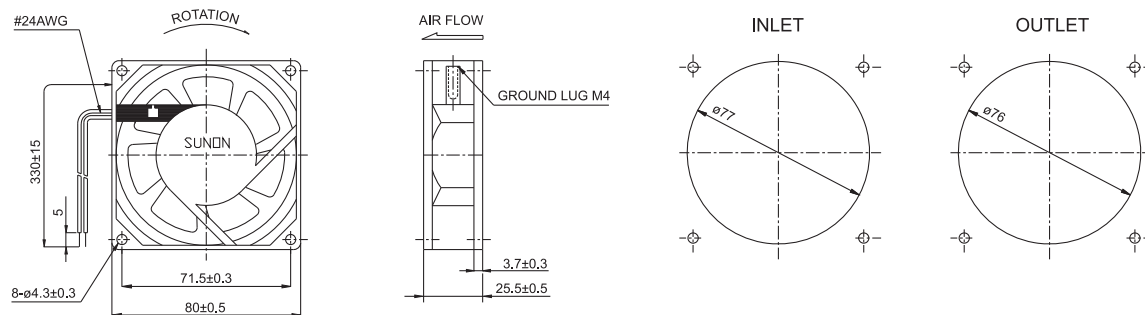
Frame : Aluminum alloy

Safety : UL-CUL/TUV NORD/CE/CCC

■ Air Flow-Static Pressure Characteristics



■ External dimensions(mm)



*All model could be customized. Please contact with Sunon Sales.

*Specifications are subject to change without notice. Please Visit SUNON website at <http://www.sunon.com> for update information.

80x80x38 mm

23~31 CFM



■ Specifications

| Model | P/N | Bearing | Rating Voltage (VAC) | Freq. (Hz) | Power Current (AMP) | Power Consumption (WATTS) | Speed (RPM) | Air Flow (CFM) | Static Pressure (Inch-H ₂ O) | Noise (dB(A)) | Weight (g) |
|----------|------------|------------------------------|----------------------|------------|---------------------|---------------------------|-------------|----------------|---|---------------|------------|
| | | ● VAPO ○ BALL ⊙ Sleeve | | | | | | | | | |
| SF11580A | 1083HSL.GN | ⊙ | 115 | 50/60 | 0.15/0.13 | 14/12 | 2300/2750 | 23/30 | 0.12/0.18 | 31/35 | 340 |
| SF11580A | 1083HBL.GN | ○ | 115 | 50/60 | 0.15/0.13 | 14/12 | 2400/2850 | 24/31 | 0.13/0.19 | 32/36.5 | 340 |
| SF23080A | 2083HSL.GN | ⊙ | 220-240 | 50/60 | 0.09/0.08 | 18/16 | 2300/2750 | 23/30 | 0.12/0.18 | 31/35 | 340 |
| SF23080A | 2083HBL.GN | ○ | 220-240 | 50/60 | 0.09/0.08 | 18/16 | 2400/2850 | 24/31 | 0.13/0.19 | 32/36.5 | 340 |

Frame : Aluminum alloy

Safety : UL-CUL/TUV NORD/CE/CCC

■ Air Flow-Static Pressure Characteristics



■ External dimensions(mm)



*All model could be customized. Please contact with Sunon Sales.

*Specifications are subject to change without notice. Please Visit SUNON website at <http://www.sunon.com> for update information.

92x92x25 mm

21~37 CFM



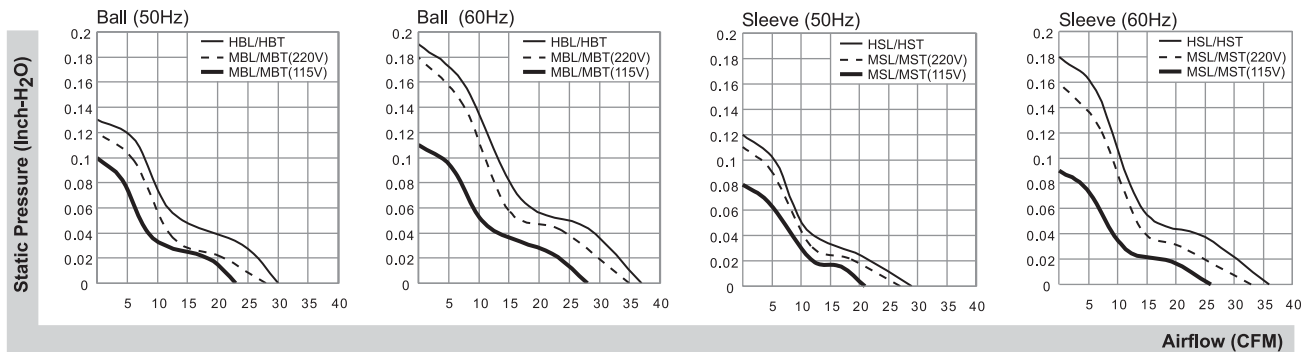
■ Specifications

| Model | P/N | Bearing | Rating Voltage | Freq. | Power Current | Power Consumption | Speed | Air Flow | Static Pressure | Noise | Weight |
|----------|------------|------------------------------|----------------|-------|---------------|-------------------|-----------|----------|-------------------------|---------|--------|
| | | ● VAPO ○ BALL ○ Sleeve | (VAC) | (Hz) | (AMP) | (WATTS) | (RPM) | (CFM) | (Inch-H ₂ O) | (dB(A)) | (g) |
| SF11592A | 1092HSL.GN | ○ | 115 | 50/60 | 0.12/0.11 | 13/12 | 2250/2750 | 29/36 | 0.12/0.18 | 36/39 | 280 |
| SF11592A | 1092HST.GN | ○ | 115 | 50/60 | 0.12/0.11 | 13/12 | 2250/2750 | 29/36 | 0.12/0.18 | 36/39 | 280 |
| SF11592A | 1092MSL.GN | ○ | 115 | 50/60 | 0.06/0.06 | 7/6 | 1550/1700 | 21/26 | 0.08/0.09 | 28/30 | 280 |
| SF11592A | 1092MST.GN | ○ | 115 | 50/60 | 0.06/0.06 | 7/6 | 1550/1700 | 21/26 | 0.08/0.09 | 28/30 | 280 |
| SF11592A | 1092HBL.GN | ○ | 115 | 50/60 | 0.12/0.11 | 13/12 | 2350/2850 | 30/37 | 0.13/0.19 | 37/40 | 280 |
| SF11592A | 1092HBT.GN | ○ | 115 | 50/60 | 0.12/0.11 | 13/12 | 2350/2850 | 30/37 | 0.13/0.19 | 37/40 | 280 |
| SF11592A | 1092MBL.GN | ○ | 115 | 50/60 | 0.07/0.06 | 7/6 | 1800/2100 | 23/28 | 0.10/0.11 | 31/33 | 280 |
| SF11592A | 1092MBT.GN | ○ | 115 | 50/60 | 0.07/0.06 | 7/6 | 1800/2100 | 23/28 | 0.10/0.11 | 31/33 | 280 |
| SF23092A | 2092HSL.GN | ○ | 220-240 | 50/60 | 0.07/0.06 | 14.5/14 | 2250/2750 | 29/36 | 0.12/0.18 | 36/39 | 280 |
| SF23092A | 2092HST.GN | ○ | 220-240 | 50/60 | 0.07/0.06 | 14.5/14 | 2250/2750 | 29/36 | 0.12/0.18 | 36/39 | 280 |
| SF23092A | 2092MSL.GN | ○ | 220-240 | 50/60 | 0.07/0.07 | 15/14 | 2000/2500 | 27/33 | 0.11/0.16 | 32/37 | 280 |
| SF23092A | 2092MST.GN | ○ | 220-240 | 50/60 | 0.07/0.07 | 15/14 | 2000/2500 | 27/33 | 0.11/0.16 | 32/37 | 280 |
| SF23092A | 2092HBL.GN | ○ | 220-240 | 50/60 | 0.07/0.06 | 14.5/14 | 2350/2850 | 30/37 | 0.13/0.19 | 37/40 | 280 |
| SF23092A | 2092HBT.GN | ○ | 220-240 | 50/60 | 0.07/0.06 | 14.5/14 | 2350/2850 | 30/37 | 0.13/0.19 | 37/40 | 280 |
| SF23092A | 2092MBL.GN | ○ | 220-240 | 50/60 | 0.07/0.07 | 15/14 | 2200/2700 | 28/35 | 0.12/0.18 | 35/38 | 280 |
| SF23092A | 2092MBT.GN | ○ | 220-240 | 50/60 | 0.07/0.07 | 15/14 | 2200/2700 | 28/35 | 0.12/0.18 | 35/38 | 280 |

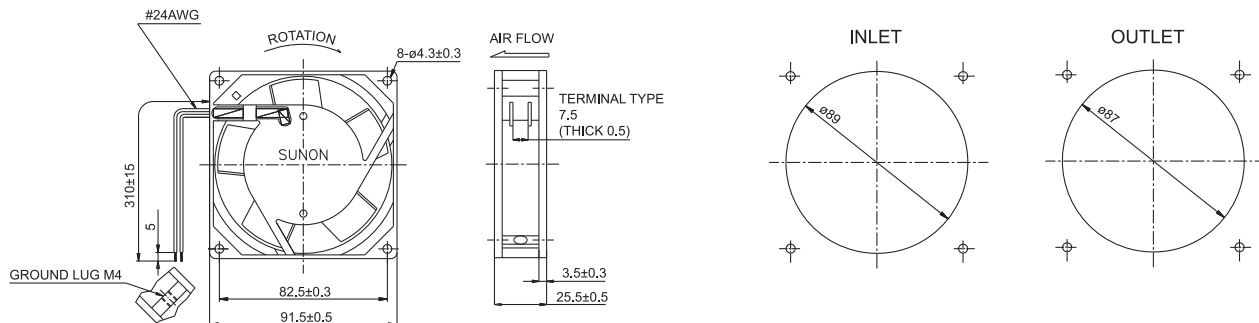
Frame : Aluminum alloy

Safety : UL-CUL/TUV NORD/CE/CCC

■ Air Flow-Static Pressure Characteristics



■ External dimensions(mm)



*All model could be customized. Please contact with Sunon Sales.

*Specifications are subject to change without notice. Please Visit SUNON website at <http://www.sunon.com> for update information.

120x120x25 mm

46~80 CFM



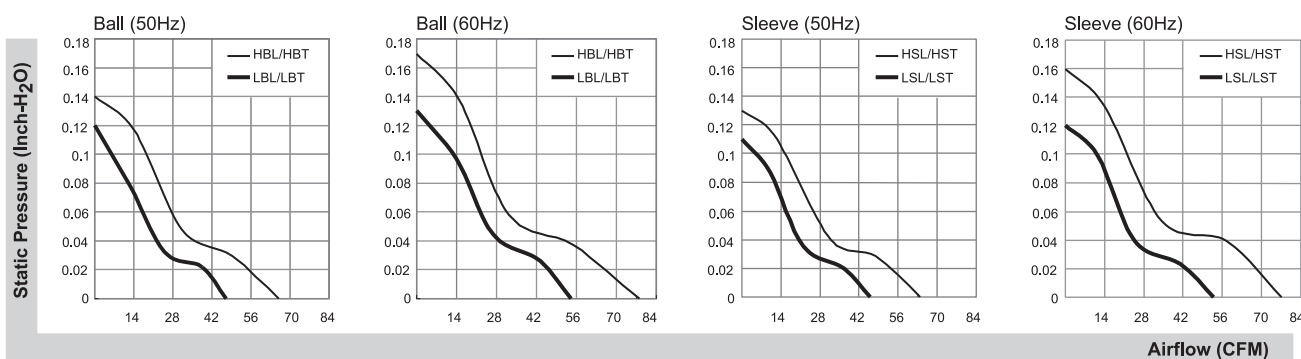
Specifications

| Model | P/N | Bearing | Rating Voltage | Freq. | Power Current | Power Consumption | Speed | Air Flow | Static Pressure | Noise | Weight |
|---------|------------|------------------------------|----------------|-------|---------------|-------------------|-----------|----------|-------------------------|---------|--------|
| | | ● VAPO ○ BALL ⊙ Sleeve | (VAC) | (Hz) | (AMP) | (WATTS) | (RPM) | (CFM) | (Inch-H ₂ O) | (dB(A)) | (g) |
| SP101AT | 1122HSL.GN | ⊙ | 115 | 50/60 | 0.21/0.19 | 19/18 | 2000/2300 | 64/78 | 0.13/0.16 | 43/46 | 330 |
| SP101AT | 1122HST.GN | ⊙ | 115 | 50/60 | 0.21/0.19 | 19/18 | 2000/2300 | 64/78 | 0.13/0.16 | 43/46 | 330 |
| SP103AT | 1122LSL.GN | ⊙ | 115 | 50/60 | 0.14/0.13 | 14/13 | 1600/1800 | 46/53 | 0.11/0.12 | 35/38 | 330 |
| SP103AT | 1122LST.GN | ⊙ | 115 | 50/60 | 0.14/0.13 | 14/13 | 1600/1800 | 46/53 | 0.11/0.12 | 35/38 | 330 |
| SP101AT | 1122HBL.GN | ○ | 115 | 50/60 | 0.21/0.19 | 19/18 | 2150/2500 | 66/80 | 0.14/0.17 | 44/48 | 330 |
| SP101AT | 1122HBT.GN | ○ | 115 | 50/60 | 0.21/0.19 | 19/18 | 2150/2500 | 66/80 | 0.14/0.17 | 44/48 | 330 |
| SP103AT | 1122LBL.GN | ○ | 115 | 50/60 | 0.12/0.11 | 12.5/11.5 | 1700/1900 | 47/54 | 0.12/0.13 | 37/40 | 330 |
| SP103AT | 1122LBT.GN | ○ | 115 | 50/60 | 0.12/0.11 | 12.5/11.5 | 1700/1900 | 47/54 | 0.12/0.13 | 37/40 | 330 |

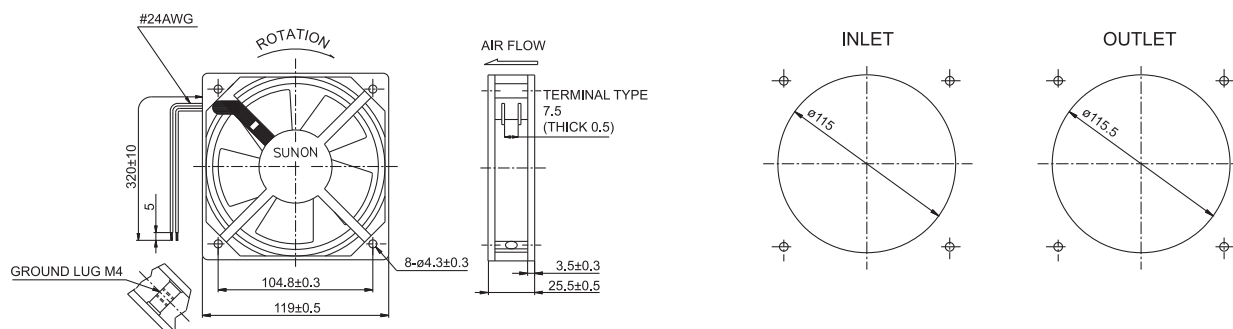
Frame : Aluminum alloy

Safety : UL-CUL/TUV/CE/CCC

Air Flow-Static Pressure Characteristics



External dimensions(mm)



*All model could be customized. Please contact with Sunon Sales.

*Specifications are subject to change without notice. Please Visit SUNON website at <http://www.sunon.com> for update information.

120x120x25 mm

46~80 CFM



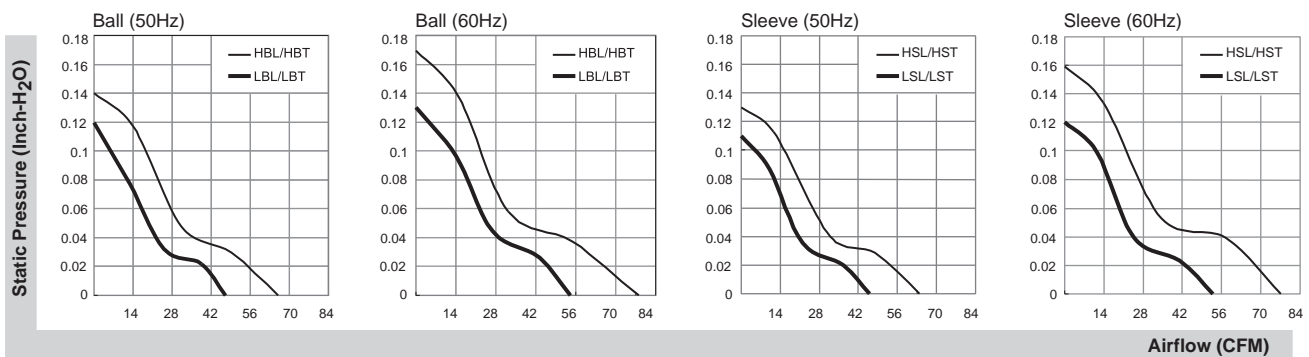
■ Specifications

| Model | P/N | Bearing | Rating Voltage | Freq. | Power Current | Power Consumption | Speed | Air Flow | Static Pressure | Noise | Weight |
|---------|------------|------------------------------|----------------|-------|---------------|-------------------|-----------|----------|-------------------------|---------|--------|
| | | ● VAPO ○ BALL ○ Sleeve | (VAC) | (Hz) | (AMP) | (WATTS) | (RPM) | (CFM) | (Inch-H ₂ O) | (dB(A)) | (g) |
| DP201AT | 2122HSL.GN | ● | 220/240 | 50/60 | 0.09/0.09 | 19/19 | 2000/2300 | 64/78 | 0.13/0.16 | 43/46 | 295 |
| DP201AT | 2122HST.GN | ● | 220/240 | 50/60 | 0.09/0.09 | 19/19 | 2000/2300 | 64/78 | 0.13/0.16 | 43/46 | 295 |
| DP203AT | 2122LSL.GN | ● | 220/240 | 50/60 | 0.07/0.07 | 14/13 | 1600/1800 | 46/53 | 0.11/0.12 | 35/38 | 330 |
| DP203AT | 2122LST.GN | ● | 220/240 | 50/60 | 0.07/0.07 | 14/13 | 1600/1800 | 46/53 | 0.11/0.12 | 35/38 | 330 |
| DP201AT | 2122HBL.GN | ○ | 220/240 | 50/60 | 0.09/0.09 | 18/16.5 | 2150/2500 | 66/80 | 0.14/0.17 | 44/48 | 295 |
| DP201AT | 2122HBT.GN | ○ | 220/240 | 50/60 | 0.09/0.09 | 18/16.5 | 2150/2500 | 66/80 | 0.14/0.17 | 44/48 | 295 |
| DP203AT | 2122LBL.GN | ○ | 220/240 | 50/60 | 0.07/0.07 | 14/13 | 1700/1900 | 47/54 | 0.12/0.13 | 37/40 | 330 |
| DP203AT | 2122LBT.GN | ○ | 220/240 | 50/60 | 0.07/0.07 | 14/13 | 1700/1900 | 47/54 | 0.12/0.13 | 37/40 | 330 |

Frame : Aluminum alloy

Safety : UL-CUL/TUV/CE/CCC

■ Air Flow-Static Pressure Characteristics



■ External dimensions(mm)



*All model could be customized. Please contact with Sunon Sales.

*Specifications are subject to change without notice. Please Visit SUNON website at <http://www.sunon.com> for update information.

120x120x38 mm

70~117 CFM



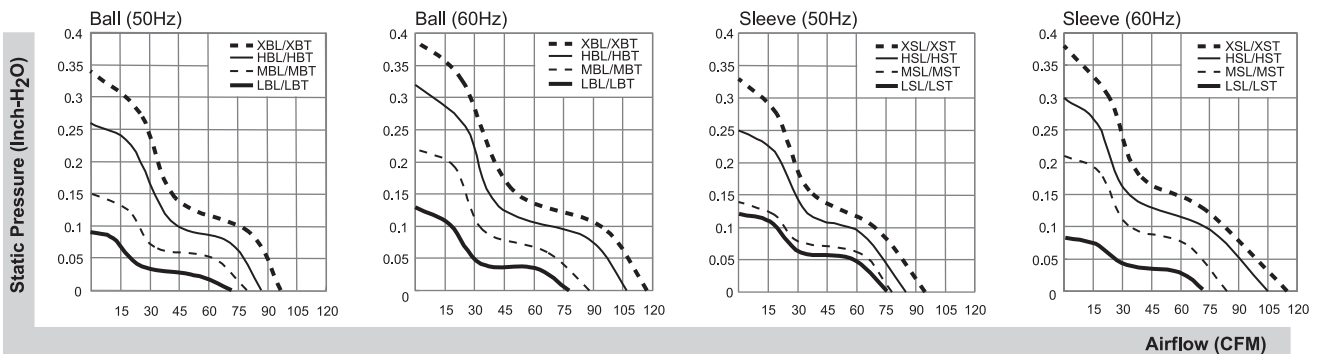
■ Specifications

| Model | P/N | Bearing | Rating Voltage | Freq. | Power Current | Power Consumption | Speed | Air Flow | Static Pressure | Noise | Weight |
|--------|------------|------------------------------|----------------|-------|---------------|-------------------|-----------|----------|-------------------------|---------|--------|
| | | ● VAPO ○ BALL ○ Sleeve | (VAC) | (Hz) | (AMP) | (WATTS) | (RPM) | (CFM) | (Inch-H ₂ O) | (dB(A)) | (g) |
| SP100A | 1123XSL.GN | ○ | 115 | 50/60 | 0.26/0.24 | 22/20 | 2700/3100 | 95/115 | 0.33/0.38 | 44/49 | 550 |
| SP100A | 1123XST.GN | ○ | 115 | 50/60 | 0.26/0.24 | 22/20 | 2700/3100 | 95/115 | 0.33/0.38 | 44/49 | 550 |
| SP101A | 1123HSL.GN | ○ | 115 | 50/60 | 0.21/0.18 | 20/18 | 2550/2900 | 85/105 | 0.25/0.30 | 43/48 | 550 |
| SP101A | 1123HST.GN | ○ | 115 | 50/60 | 0.21/0.18 | 20/18 | 2550/2900 | 85/105 | 0.25/0.30 | 43/48 | 550 |
| SP102A | 1123MSL.GN | ○ | 115 | 50/60 | 0.17/0.16 | 15/15 | 2400/2600 | 78/84 | 0.14/0.21 | 33/38 | 550 |
| SP102A | 1123MST.GN | ○ | 115 | 50/60 | 0.17/0.16 | 15/15 | 2400/2600 | 78/84 | 0.14/0.21 | 33/38 | 550 |
| SP103A | 1123LSL.GN | ○ | 115 | 50/60 | 0.13/0.11 | 11/11 | 2200/2000 | 76/70 | 0.12/0.08 | 38/36 | 550 |
| SP103A | 1123LST.GN | ○ | 115 | 50/60 | 0.13/0.11 | 11/11 | 2200/2000 | 76/70 | 0.12/0.08 | 38/36 | 550 |
| SP100A | 1123XBL.GN | ○ | 115 | 50/60 | 0.26/0.24 | 22/20 | 2850/3150 | 97/117 | 0.34/0.39 | 45/50 | 550 |
| SP100A | 1123XBT.GN | ○ | 115 | 50/60 | 0.26/0.24 | 22/20 | 2850/3150 | 97/117 | 0.34/0.39 | 45/50 | 550 |
| SP101A | 1123HBL.GN | ○ | 115 | 50/60 | 0.21/0.18 | 20/18 | 2750/3050 | 87/107 | 0.26/0.32 | 45/50 | 550 |
| SP101A | 1123HBT.GN | ○ | 115 | 50/60 | 0.21/0.18 | 20/18 | 2750/3050 | 87/107 | 0.26/0.32 | 45/50 | 550 |
| SP102A | 1123MBL.GN | ○ | 115 | 50/60 | 0.17/0.16 | 16/15 | 2500/2700 | 80/88 | 0.15/0.22 | 35/40 | 550 |
| SP102A | 1123MBT.GN | ○ | 115 | 50/60 | 0.17/0.16 | 16/15 | 2500/2700 | 80/88 | 0.15/0.22 | 35/40 | 550 |
| SP103A | 1123LBL.GN | ○ | 115 | 50/60 | 0.13/0.11 | 11/11 | 2150/2300 | 72/78 | 0.09/0.13 | 37/39 | 550 |
| SP103A | 1123LBT.GN | ○ | 115 | 50/60 | 0.13/0.11 | 11/11 | 2150/2300 | 72/78 | 0.09/0.13 | 37/39 | 550 |

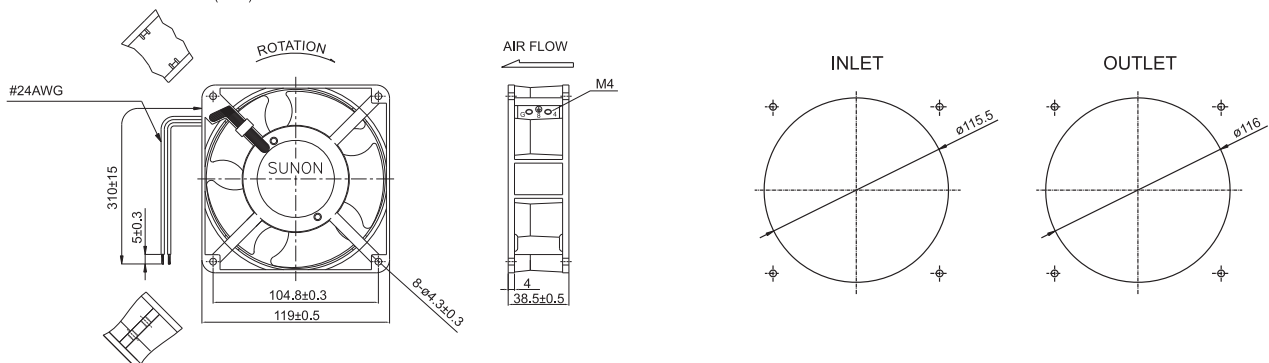
Frame : Aluminum alloy

Safety : UL-CUL/TUV/CE/CCC

■ Air Flow-Static Pressure Characteristics



■ External dimensions(mm)



*All model could be customized. Please contact with Sunon Sales.

*Specifications are subject to change without notice. Please Visit SUNON website at <http://www.sunon.com> for update information.

120x120x38 mm

70~117 CFM



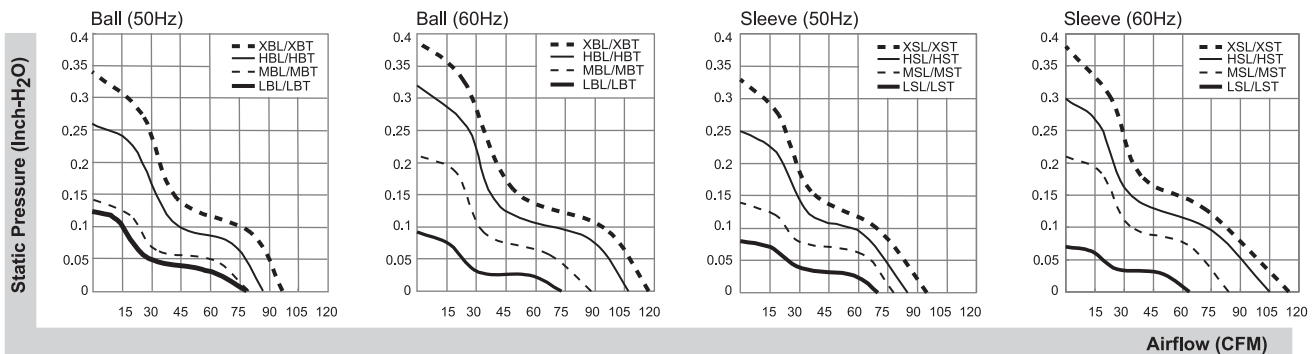
■ Specifications

| Model | P/N | Bearing | Rating Voltage (VAC) | Freq. (Hz) | Power Current (AMP) | Power Consumption (WATTS) | Speed (RPM) | Air Flow (CFM) | Static Pressure (Inch-H ₂ O) | Noise (dB(A)) | Weight (g) |
|--------|------------|------------------------------|-------------------------|---------------|------------------------|------------------------------|----------------|-------------------|--|------------------|---------------|
| | | ● VAPO ○ BALL ◎ Sleeve | | | | | | | | | |
| DP200A | 2123XSL.GN | ◎ | 220-240 | 50/60 | 0.14/0.12 | 22/21 | 2700/3100 | 95/115 | 0.33/0.38 | 44/49 | 550 |
| DP200A | 2123XST.GN | ◎ | 220-240 | 50/60 | 0.14/0.12 | 22/21 | 2700/3100 | 95/115 | 0.33/0.38 | 44/49 | 550 |
| DP201A | 2123HSL.GN | ◎ | 220-240 | 50/60 | 0.125/0.11 | 20/19 | 2550/2900 | 85/105 | 0.25/0.30 | 43/48 | 550 |
| DP201A | 2123HST.GN | ◎ | 220-240 | 50/60 | 0.125/0.11 | 20/19 | 2550/2900 | 85/105 | 0.25/0.30 | 43/48 | 550 |
| DP202A | 2123MSL.GN | ◎ | 220-240 | 50/60 | 0.09/0.08 | 16/15 | 2300/2500 | 78/84 | 0.14/0.21 | 33/38 | 550 |
| DP202A | 2123MST.GN | ◎ | 220-240 | 50/60 | 0.09/0.08 | 16/15 | 2300/2500 | 78/84 | 0.14/0.21 | 33/38 | 550 |
| DP203A | 2123LSL.GN | ◎ | 220-240 | 50/60 | 0.06/0.05 | 11/10 | 2000/1800 | 70/63 | 0.08/0.07 | 36/32 | 550 |
| DP203A | 2123LST.GN | ◎ | 220-240 | 50/60 | 0.06/0.05 | 11/10 | 2000/1800 | 70/63 | 0.08/0.07 | 36/32 | 550 |
| DP200A | 2123XBL.GN | ○ | 220-240 | 50/60 | 0.14/0.12 | 22/21 | 2850/3150 | 97/117 | 0.34/0.39 | 45/50 | 550 |
| DP200A | 2123XBT.GN | ○ | 220-240 | 50/60 | 0.14/0.12 | 22/21 | 2850/3150 | 97/117 | 0.34/0.39 | 45/50 | 550 |
| DP201A | 2123HBL.GN | ○ | 220-240 | 50/60 | 0.125/0.11 | 20/19 | 2750/3050 | 87/107 | 0.26/0.32 | 45/50 | 550 |
| DP201A | 2123HBT.GN | ○ | 220-240 | 50/60 | 0.125/0.11 | 20/19 | 2750/3050 | 87/107 | 0.26/0.32 | 45/50 | 550 |
| DP202A | 2123MBL.GN | ○ | 220-240 | 50/60 | 0.09/0.08 | 16/15 | 2400/2600 | 78/84 | 0.14/0.21 | 34/39 | 550 |
| DP202A | 2123MBT.GN | ○ | 220-240 | 50/60 | 0.09/0.08 | 16/15 | 2400/2600 | 78/84 | 0.14/0.21 | 34/39 | 550 |
| DP203A | 2123LBL.GN | ○ | 220-240 | 50/60 | 0.05/0.06 | 10/10 | 2300/2150 | 78/72 | 0.13/0.09 | 39/37 | 550 |
| DP203A | 2123LBT.GN | ○ | 220-240 | 50/60 | 0.05/0.06 | 10/10 | 2300/2150 | 78/72 | 0.13/0.09 | 39/37 | 550 |

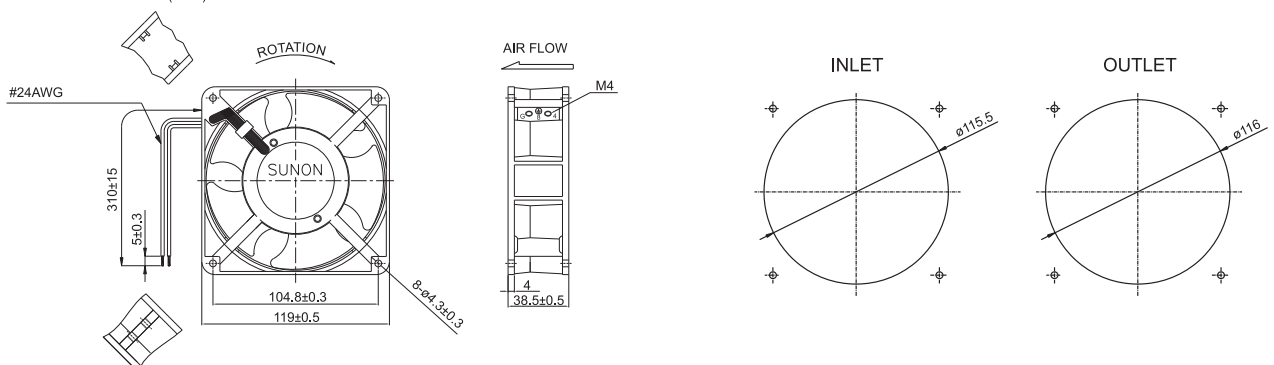
Frame : Aluminum alloy

Safety : UL-CUL/TUV/CE/CCC

■ Air Flow-Static Pressure Characteristics



■ External dimensions(mm)



*All model could be customized. Please contact with Sunon Sales.

*Specifications are subject to change without notice. Please Visit SUNON website at <http://www.sunon.com> for update information.

120x120x38 mm

Low Power Consumption

54~85 CFM



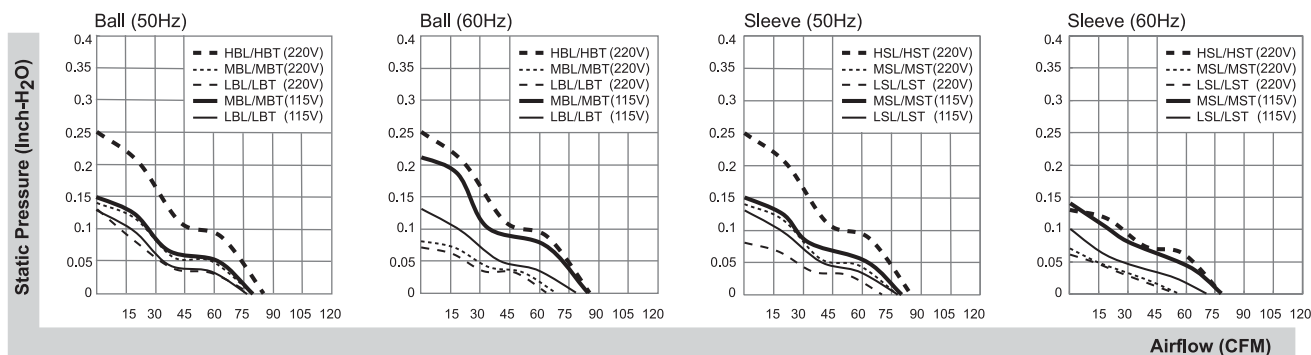
■ Specifications

| Model | P/N | Bearing | Rating Voltage | Freq. | Power Current | Power Consumption | Speed | Air Flow | Static Pressure | Noise | Weight |
|--------|--------------|------------------------------|----------------|-------|---------------|-------------------|-----------|----------|-------------------------|---------|--------|
| | | ● VAPO ○ BALL ◎ Sleeve | (VAC) | (Hz) | (AMP) | (WATTS) | (RPM) | (CFM) | (Inch-H ₂ O) | (dB(A)) | (g) |
| SP102A | 1123MSL.S.GN | ◎ | 115 | 50/60 | 0.150/0.140 | 12.2/11.6 | 2500/2400 | 80/78 | 0.15/0.14 | 42/41 | 460 |
| SP102A | 1123MST.S.GN | ◎ | 115 | 50/60 | 0.150/0.140 | 12.2/11.6 | 2500/2400 | 80/78 | 0.15/0.14 | 42/41 | 460 |
| SP103A | 1123LSL.S.GN | ◎ | 115 | 50/60 | 0.140/0.125 | 11.8/10.9 | 2250/2100 | 76/70 | 0.12/0.10 | 39/37 | 460 |
| SP103A | 1123LST.S.GN | ◎ | 115 | 50/60 | 0.140/0.125 | 11.8/10.9 | 2250/2100 | 76/70 | 0.12/0.10 | 39/37 | 460 |
| SP102A | 1123MBL.S.GN | ○ | 115 | 50/60 | 0.150/0.140 | 12.2/12.0 | 2500/2600 | 80/84 | 0.15/0.21 | 43/43 | 460 |
| SP102A | 1123MBT.S.GN | ○ | 115 | 50/60 | 0.150/0.140 | 12.2/12.0 | 2500/2600 | 80/84 | 0.15/0.21 | 43/43 | 460 |
| SP103A | 1123LBL.S.GN | ○ | 115 | 50/60 | 0.136/0.122 | 11.5/10.6 | 2300/2350 | 77/78 | 0.13/0.13 | 39/39 | 460 |
| SP103A | 1123LBT.S.GN | ○ | 115 | 50/60 | 0.136/0.122 | 11.5/10.6 | 2300/2350 | 77/78 | 0.13/0.13 | 39/39 | 460 |
| DP201A | 2123HSL.S.GN | ◎ | 220-240 | 50/60 | 0.069/0.070 | 10.8/10.4 | 2550/2300 | 85/78 | 0.25/0.13 | 43/42 | 480 |
| DP201A | 2123HST.S.GN | ◎ | 220-240 | 50/60 | 0.069/0.070 | 10.8/10.4 | 2550/2300 | 85/78 | 0.25/0.13 | 43/42 | 480 |
| DP202A | 2123MSL.S.GN | ◎ | 220-240 | 50/60 | 0.057/0.055 | 9.9/9.8 | 2300/1550 | 78/56 | 0.13/0.07 | 41/31 | 480 |
| DP202A | 2123MST.S.GN | ◎ | 220-240 | 50/60 | 0.057/0.055 | 9.9/9.8 | 2300/1550 | 78/56 | 0.13/0.07 | 41/31 | 480 |
| DP203A | 2123LSL.S.GN | ◎ | 220-240 | 50/60 | 0.055/0.047 | 8.3/7.9 | 2000/1500 | 70/54 | 0.08/0.06 | 36/31 | 480 |
| DP203A | 2123LST.S.GN | ◎ | 220-240 | 50/60 | 0.055/0.047 | 8.3/7.9 | 2000/1500 | 70/54 | 0.08/0.06 | 36/31 | 480 |
| DP201A | 2123HBL.S.GN | ○ | 220-240 | 50/60 | 0.069/0.065 | 10.8/10.4 | 2550/2550 | 85/85 | 0.25/0.25 | 44/45 | 480 |
| DP201A | 2123HBT.S.GN | ○ | 220-240 | 50/60 | 0.069/0.065 | 10.8/10.4 | 2550/2550 | 85/85 | 0.25/0.25 | 44/45 | 480 |
| DP202A | 2123MBL.S.GN | ○ | 220-240 | 50/60 | 0.057/0.056 | 9.9/9.6 | 2400/1950 | 79/68 | 0.14/0.08 | 42/38 | 480 |
| DP202A | 2123MBT.S.GN | ○ | 220-240 | 50/60 | 0.057/0.056 | 9.9/9.6 | 2400/1950 | 79/68 | 0.14/0.08 | 42/38 | 480 |
| DP203A | 2123LBL.S.GN | ○ | 220-240 | 50/60 | 0.048/0.045 | 8.2/7.6 | 2300/1850 | 78/63 | 0.13/0.07 | 39/35 | 480 |
| DP203A | 2123LBT.S.GN | ○ | 220-240 | 50/60 | 0.048/0.045 | 8.2/7.6 | 2300/1850 | 78/63 | 0.13/0.07 | 39/35 | 480 |

Frame : Aluminum alloy

Safety : UL-CUL/TUV/CE/CCC

■ Air Flow-Static Pressure Characteristics



■ External dimensions(mm)



*All model could be customized. Please contact with Sunon Sales.

*Specifications are subject to change without notice. Please Visit SUNON website at <http://www.sunon.com> for update information.

120x120x38 mm

85~100 CFM



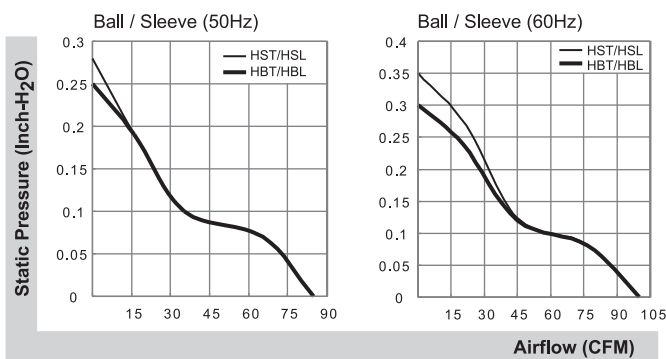
■ Specifications

| Model | P/N | Bearing | Rating Voltage | Freq. | Power Current | Power Consumption | Speed | Air Flow | Static Pressure | Noise | Weight |
|---------|------------|------------------------------|----------------|-------|---------------|-------------------|-----------|----------|-------------------------|---------|--------|
| | | ● VAPO ○ BALL ○ Sleeve | (VAC) | (Hz) | (AMP) | (WATTS) | (RPM) | (CFM) | (Inch-H ₂ O) | (dB(A)) | (g) |
| SP109WR | 1123HST.GN | ● | 115 | 50/60 | 0.25/0.22 | 22/20 | 2500/2900 | 85/100 | 0.28/0.35 | 41/47 | 465 |
| SP109WR | 1123HSL.GN | ● | 115 | 50/60 | 0.25/0.22 | 22/20 | 2500/2900 | 85/100 | 0.28/0.35 | 41/47 | 465 |
| SP109WR | 1123HBT.GN | ○ | 115 | 50/60 | 0.25/0.22 | 22/20 | 2500/2900 | 85/100 | 0.25/0.30 | 42/48 | 465 |
| SP109WR | 1123HBL.GN | ○ | 115 | 50/60 | 0.25/0.22 | 22/20 | 2500/2900 | 85/100 | 0.25/0.30 | 42/48 | 465 |
| DP209WR | 2123HST.GN | ● | 220-240 | 50/60 | 0.13/0.12 | 22/21 | 2500/2900 | 85/100 | 0.28/0.35 | 41/47 | 465 |
| DP209WR | 2123HSL.GN | ● | 220-240 | 50/60 | 0.13/0.12 | 22/21 | 2500/2900 | 85/100 | 0.28/0.35 | 41/47 | 465 |
| DP209WR | 2123HBT.GN | ○ | 220-240 | 50/60 | 0.13/0.12 | 22/21 | 2500/2900 | 85/100 | 0.25/0.30 | 42/48 | 465 |
| DP209WR | 2123HBL.GN | ○ | 220-240 | 50/60 | 0.13/0.12 | 22/21 | 2500/2900 | 85/100 | 0.25/0.30 | 42/48 | 465 |

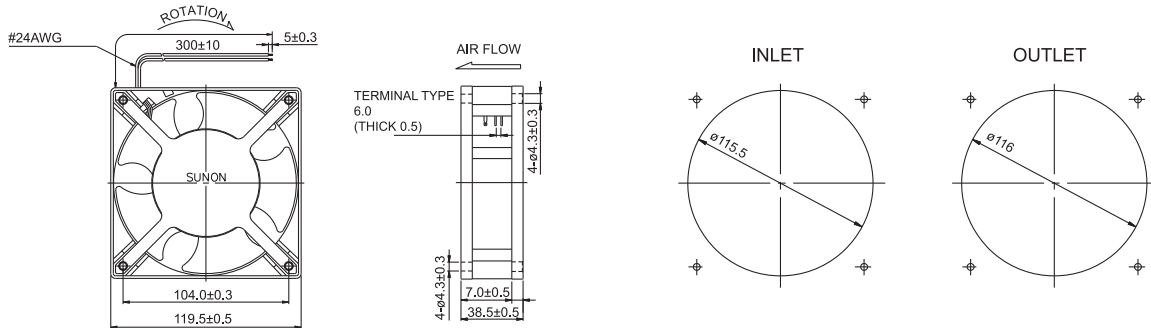
Frame : PBT Plastic

Safety : UL-CUL/TUV/CE/CCC

■ Air Flow-Static Pressure Characteristics



■ External dimensions(mm)



*All model could be customized. Please contact with Sunon Sales.

*Specifications are subject to change without notice. Please Visit SUNON website at <http://www.sunon.com> for update information.

120x120x38 mm

95~117 CFM



■ Specifications

| Model | P/N | Bearing | Rating Voltage | Freq. | Power Current | Power Consumption | Speed | Air Flow | Static Pressure | Noise | Weight |
|-----------|-----|------------------------------|----------------|-------|---------------|-------------------|-----------|----------|-------------------------|---------|--------|
| | | ● VAPO ○ BALL ○ Sleeve | (VAC) | (Hz) | (AMP) | (WATTS) | (RPM) | (CFM) | (Inch-H ₂ O) | (dB(A)) | (g) |
| A1123-HST | GN | ● | 115 | 50/60 | 0.28/0.25 | 23/20 | 2700/3100 | 95/115 | 0.33/0.38 | 44/49 | 525 |
| A1123-HSL | GN | ● | 115 | 50/60 | 0.28/0.25 | 23/20 | 2700/3100 | 95/115 | 0.33/0.38 | 44/49 | 525 |
| A1123-HBT | GN | ○ | 115 | 50/60 | 0.28/0.25 | 23/20 | 2700/3100 | 97/117 | 0.34/0.39 | 45/50 | 525 |
| A1123-HBL | GN | ○ | 115 | 50/60 | 0.28/0.25 | 23/20 | 2700/3100 | 97/117 | 0.34/0.39 | 45/50 | 525 |
| A2123-HST | GN | ● | 220-240 | 50/60 | 0.14/0.12 | 23/20 | 2700/3100 | 95/115 | 0.33/0.38 | 44/49 | 525 |
| A2123-HSL | GN | ● | 220-240 | 50/60 | 0.14/0.12 | 23/20 | 2700/3100 | 95/115 | 0.33/0.38 | 44/49 | 525 |
| A2123-HBT | GN | ○ | 220-240 | 50/60 | 0.14/0.12 | 23/20 | 2700/3100 | 97/117 | 0.34/0.39 | 45/50 | 525 |
| A2123-HBL | GN | ○ | 220-240 | 50/60 | 0.14/0.12 | 23/20 | 2700/3100 | 97/117 | 0.34/0.39 | 45/50 | 525 |

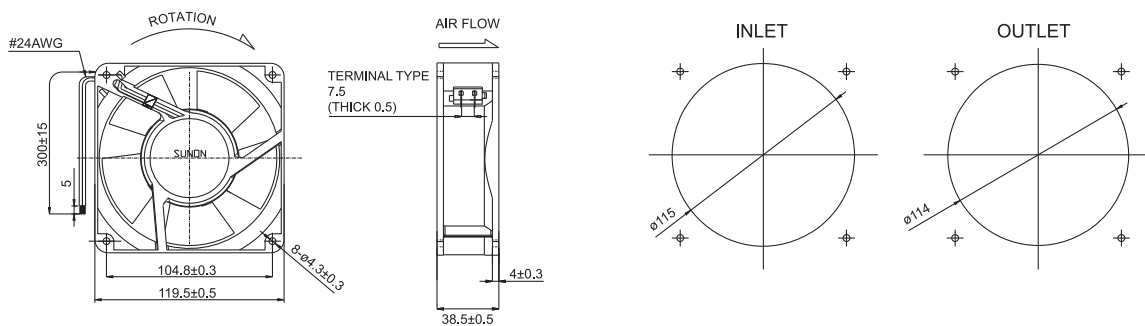
Frame : Aluminum alloy

Safety : UL-CUL/TUV/CE/CCC

■ Air Flow-Static Pressure Characteristics



■ External dimensions(mm)



*All model could be customized. Please contact with Sunon Sales.

*Specifications are subject to change without notice. Please Visit SUNON website at <http://www.sunon.com> for update information.

120x120x38 mm

High Air Flow

112~124 CFM



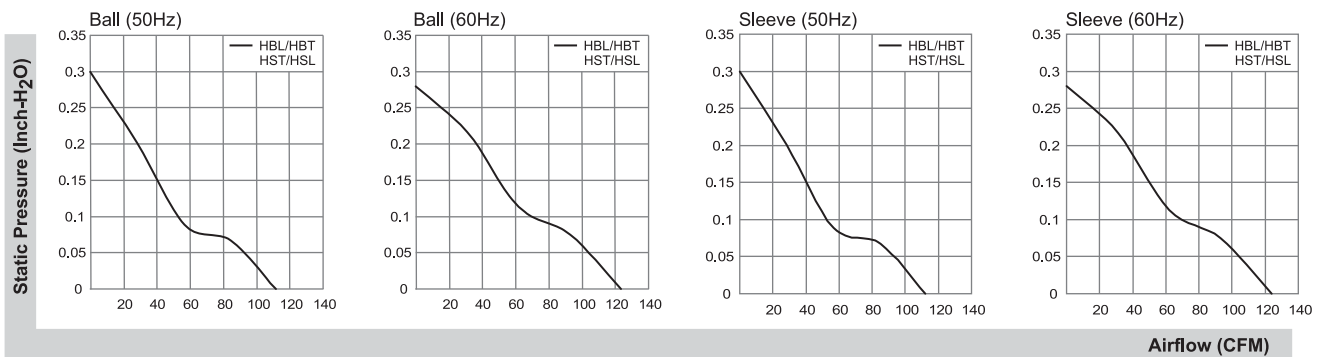
Specifications

| Model | P/N | Bearing | Rating Voltage | Freq. | Power Current | Power Consumption | Speed | Air Flow | Static Pressure | Noise | Weight |
|-----------|--------|------------------------------|----------------|-------|---------------|-------------------|-----------|----------|-------------------------|---------|--------|
| | | ● VAPO ○ BALL ○ Sleeve | (VAC) | (Hz) | (AMP) | (WATTS) | (RPM) | (CFM) | (Inch-H ₂ O) | (dB(A)) | (g) |
| A1123-HST | (7).GN | ● | 115 | 50/60 | 0.28/0.25 | 23/21 | 2500/2750 | 112/124 | 0.30/0.28 | 43/46 | 525 |
| A1123-HSL | (7).GN | ● | 115 | 50/60 | 0.28/0.25 | 23/21 | 2500/2750 | 112/124 | 0.30/0.28 | 43/46 | 525 |
| A1123-HBT | (7).GN | ○ | 115 | 50/60 | 0.28/0.25 | 23/21 | 2500/2750 | 112/124 | 0.30/0.28 | 44/47 | 525 |
| A1123-HBL | (7).GN | ○ | 115 | 50/60 | 0.28/0.25 | 23/21 | 2500/2750 | 112/124 | 0.30/0.28 | 44/47 | 525 |
| A2123-HST | (7).GN | ● | 220-240 | 50/60 | 0.14/0.12 | 24/22 | 2500/2750 | 112/124 | 0.30/0.28 | 43/46 | 525 |
| A2123-HSL | (7).GN | ● | 220-240 | 50/60 | 0.14/0.12 | 24/22 | 2500/2750 | 112/124 | 0.30/0.28 | 43/46 | 525 |
| A2123-HBT | (7).GN | ○ | 220-240 | 50/60 | 0.14/0.12 | 24/22 | 2500/2750 | 112/124 | 0.30/0.28 | 44/47 | 525 |
| A2123-HBL | (7).GN | ○ | 220-240 | 50/60 | 0.14/0.12 | 24/22 | 2500/2750 | 112/124 | 0.30/0.28 | 44/47 | 525 |

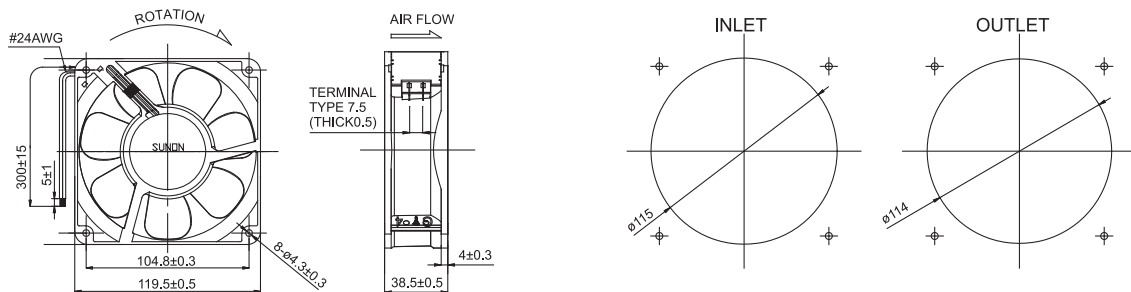
Frame : Aluminum alloy

Safety : UL-CUL/TUV/CE/CCC

Air Flow-Static Pressure Characteristics



External dimensions(mm)



*All model could be customized. Please contact with Sunon Sales.

*Specifications are subject to change without notice. Please Visit SUNON website at <http://www.sunon.com> for update information.

120x120x38 mm

Dual AC Voltage

95~115 CFM



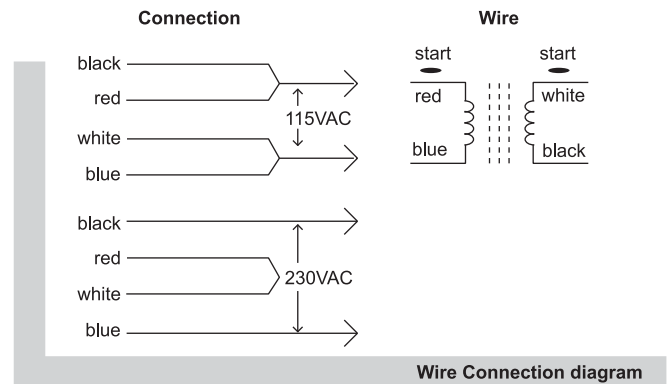
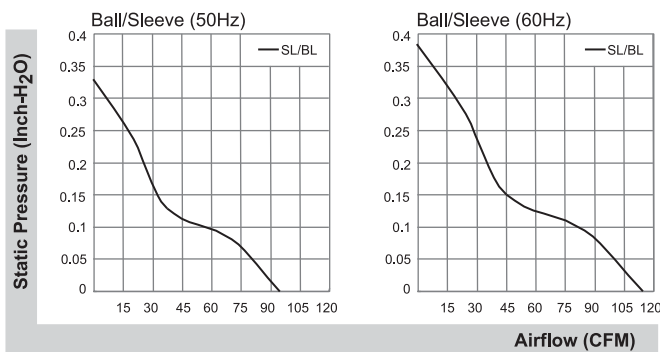
■ Specifications

| Model | P/N | Bearing | Rating | Freq. | Power | Power | Speed | Air | Static | Noise | Weight | |
|----------|-------|------------------------------|---------|-------|-----------|-------------|-----------|----------|-----------|-------------------------|---------|-----|
| | | | Voltage | (Hz) | Current | Consumption | Flow | Pressure | (dB(A)) | (g) | | |
| | | ● VAPO ○ BALL ○ Sleeve | | (VAC) | (Hz) | (AMP) | (WATTS) | (RPM) | (CFM) | (Inch-H ₂ O) | (dB(A)) | (g) |
| SF1212AD | SL.GN | ● | 115 | 50/60 | 0.27/0.24 | 21.5/19 | 2700/3100 | 95/115 | 0.33/0.38 | 44/49 | 550 | |
| | | | 220-240 | 50/60 | 0.13/0.12 | 19.5/19 | 2700/3100 | 95/115 | 0.33/0.38 | 44/49 | 550 | |
| SF1212AD | BL.GN | ○ | 115 | 50/60 | 0.27/0.24 | 21.5/19 | 2700/3100 | 95/115 | 0.33/0.38 | 44/49 | 550 | |
| | | | 220-240 | 50/60 | 0.13/0.12 | 19.5/19 | 2700/3100 | 95/115 | 0.33/0.38 | 44/49 | 550 | |

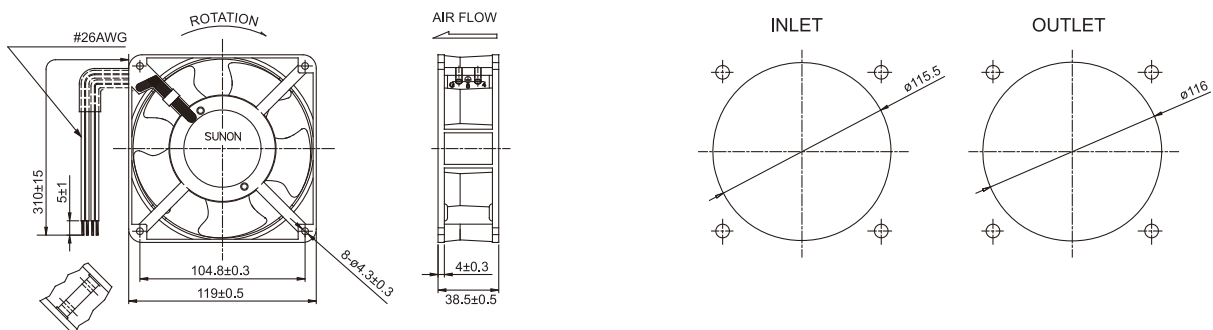
Frame : Aluminum alloy

Safety : UL-CUL/TUV/CE/CCC

■ Air Flow-Static Pressure Characteristics



■ External dimensions(mm)



*All model could be customized. Please contact with Sunon Sales.

*Specifications are subject to change without notice. Please Visit SUNON website at <http://www.sunon.com> for update information.

120x120x38 mm

Low Power Consumption

49~50 CFM



Specifications

| Model | P/N | Bearing | Rating Voltage | Freq. | Power Current | Power Consumption | Speed | Air Flow | Static Pressure | Noise | Weight |
|--------|----------------|------------------------------|----------------|-------|---------------|-------------------|-----------|----------|-------------------------|---------|--------|
| | | ● VAPO ○ BALL ○ Sleeve | (VAC) | (Hz) | (AMP) | (WATTS) | (RPM) | (CFM) | (Inch-H ₂ O) | (dB(A)) | (g) |
| DP203A | 2123LBL.(5).GN | ○ | 220-240 | 50/60 | 0.04/0.04 | 8/8 | 1650/1600 | 50/49 | 0.08/0.07 | 26/25 | 550 |
| DP203A | 2123LBT.(5).GN | ○ | 220-240 | 50/60 | 0.04/0.04 | 8/8 | 1650/1600 | 50/49 | 0.08/0.07 | 26/25 | 550 |

Frame : Aluminum alloy

Safety : TUV/CE/CCC

Air Flow-Static Pressure Characteristics



External dimensions(mm)



*All model could be customized. Please contact with Sunon Sales.

*Specifications are subject to change without notice. Please Visit SUNON website at <http://www.sunon.com> for update information.

171x151x51 mm

180~200 CFM



■ Specifications

| Model | P/N | Bearing | Rating Voltage | Freq. | Power Current | Power Consumption | Speed | Air Flow | Static Pressure | Noise | Weight |
|-----------|------|------------------------------|----------------|-------|---------------|-------------------|-----------|----------|-------------------------|---------|--------|
| | | ● VAPO ○ BALL ○ Sleeve | (VAC) | (Hz) | (AMP) | (WATTS) | (RPM) | (CFM) | (Inch-H ₂ O) | (dB(A)) | (g) |
| A1175-HBL | T.GN | ○ | 115 | 50/60 | 0.59/0.48 | 39/36 | 2650/2950 | 180/200 | 0.48/0.38 | 52/55 | 957 |
| A1175-HBT | T.GN | ○ | 115 | 50/60 | 0.59/0.48 | 39/36 | 2650/2950 | 180/200 | 0.48/0.38 | 52/55 | 957 |
| A2175-HBL | T.GN | ○ | 220-240 | 50/60 | 0.28/0.24 | 39/36 | 2650/2950 | 180/200 | 0.48/0.38 | 52/55 | 957 |
| A2175-HBT | T.GN | ○ | 220-240 | 50/60 | 0.28/0.24 | 39/36 | 2650/2950 | 180/200 | 0.48/0.38 | 52/55 | 957 |

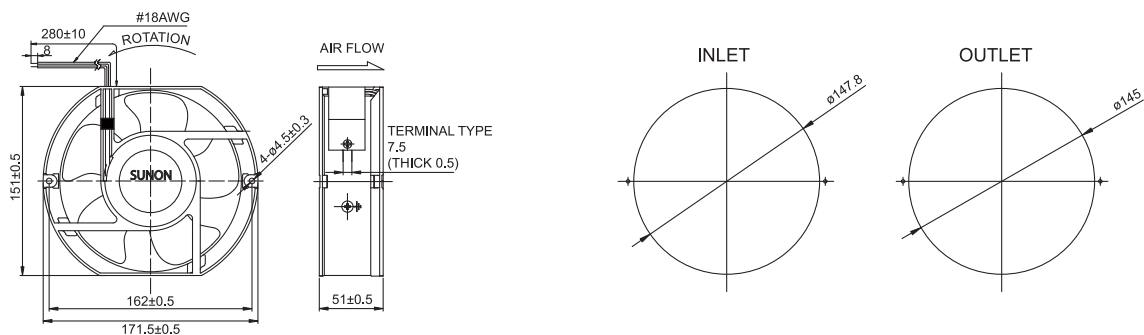
Frame : Aluminum alloy

Safety : UL-CUL/TUV/CE/CCC

■ Air Flow-Static Pressure Characteristics



■ External dimensions(mm)



*All model could be customized. Please contact with Sunon Sales.

*Specifications are subject to change without notice. Please Visit SUNON website at <http://www.sunon.com> for update information.

171x151x51 mm

Alveolate Motor

203~239 CFM



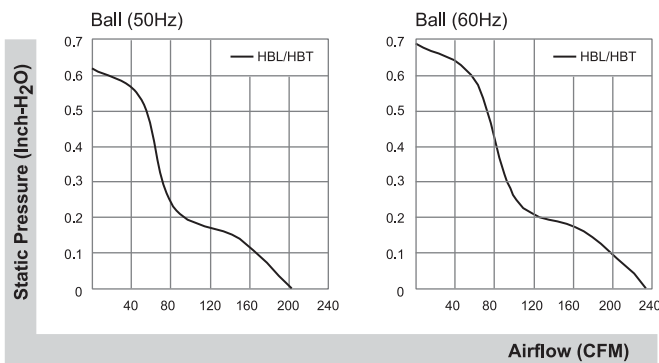
Specifications

| Model | P/N | Bearing | Rating Voltage | Freq. | Power Current | Power Consumption | Speed | Air Flow | Static Pressure | Noise | Weight |
|-----------|-------|------------------------------|----------------|-------|---------------|-------------------|-----------|----------|-------------------------|---------|--------|
| | | ● VAPO ○ BALL ⊙ Sleeve | (VAC) | (Hz) | (AMP) | (WATTS) | (RPM) | (CFM) | (Inch-H ₂ O) | (dB(A)) | (g) |
| A1175-HBL | TC.GN | ○ | 115 | 50/60 | 0.22/0.23 | 25/27 | 2800/3200 | 203/239 | 0.62/0.69 | 51/58 | 908 |
| A1175-HBT | TC.GN | ○ | 115 | 50/60 | 0.22/0.23 | 25/27 | 2800/3200 | 203/239 | 0.62/0.69 | 51/58 | 908 |
| A2175-HBL | TC.GN | ○ | 220-240 | 50/60 | 0.11/0.11 | 25/26 | 2800/3200 | 203/239 | 0.62/0.69 | 51/58 | 908 |
| A2175-HBT | TC.GN | ○ | 220-240 | 50/60 | 0.11/0.11 | 25/26 | 2800/3200 | 203/239 | 0.62/0.69 | 51/58 | 908 |

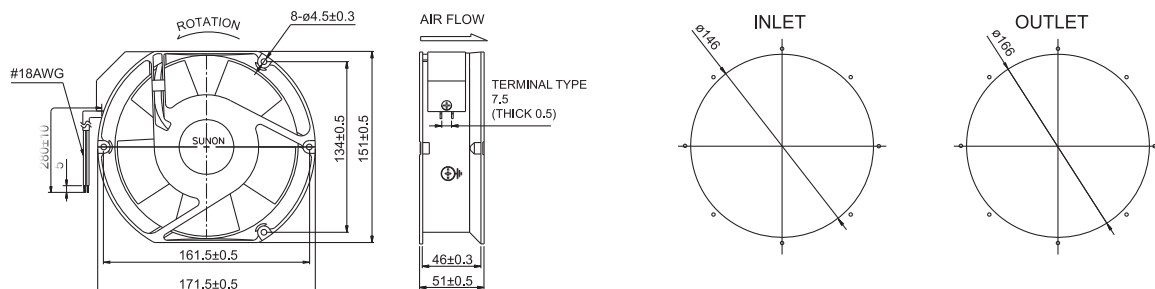
Frame : Aluminum alloy

Safety : UL-CUL/TUV/CE/CCC

Air Flow-Static Pressure Characteristics



External dimensions(mm)



*All model could be customized. Please contact with Sunon Sales.

*Specifications are subject to change without notice. Please Visit SUNON website at <http://www.sunon.com> for update information.

ø171x51 mm

Alveolate Motor

203~239 CFM



■ Specifications

| Model | P/N | Bearing | Rating Voltage | Freq. | Power Current | Power Consumption | Speed | Air Flow | Static Pressure | Noise | Weight |
|-----------|---------|------------------------------|----------------|-------|---------------|-------------------|-----------|----------|-------------------------|---------|--------|
| | | ● VAPO ○ BALL ○ Sleeve | (VAC) | (Hz) | (AMP) | (WATTS) | (RPM) | (CFM) | (Inch-H ₂ O) | (dB(A)) | (g) |
| A1175-HBL | TC.R.GN | ○ | 115 | 50/60 | 0.22/0.23 | 25/27 | 2800/3200 | 203/239 | 0.62/0.69 | 51/58 | 908 |
| A1175-HBT | TC.R.GN | ○ | 115 | 50/60 | 0.22/0.23 | 25/27 | 2800/3200 | 203/239 | 0.62/0.69 | 51/58 | 908 |
| A2175-HBL | TC.R.GN | ○ | 220-240 | 50/60 | 0.11/0.11 | 25/26 | 2800/3200 | 203/239 | 0.62/0.69 | 51/58 | 908 |
| A2175-HBT | TC.R.GN | ○ | 220-240 | 50/60 | 0.11/0.11 | 25/26 | 2800/3200 | 203/239 | 0.62/0.69 | 51/58 | 908 |

Frame : Aluminum alloy

Safety : UL-CUL/TUV/CE/CCC

■ Air Flow-Static Pressure Characteristics



■ External dimensions(mm)



*All model could be customized. Please contact with Sunon Sales.

*Specifications are subject to change without notice. Please Visit SUNON website at <http://www.sunon.com> for update information.

176x176x89 mm

Alveolate Motor

315~335 CFM



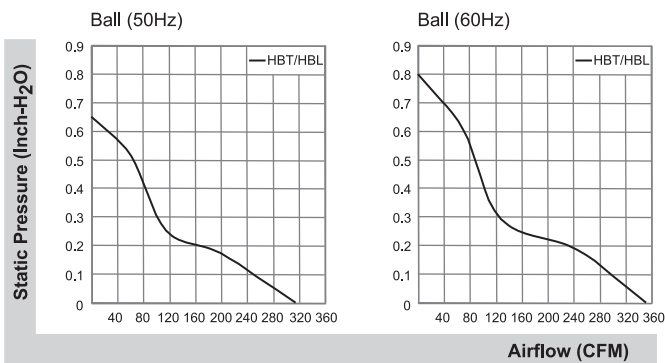
■ Specifications

| Model | P/N | Bearing | Rating Voltage (VAC) | Freq. (Hz) | Power Current (AMP) | Power Consumption (WATTS) | Speed (RPM) | Air Flow (CFM) | Static Pressure (Inch-H ₂ O) | Noise (dB(A)) | Weight (g) |
|-----------|-------|------------------------------|----------------------|------------|---------------------|---------------------------|-------------|----------------|---|---------------|------------|
| | | ● VAPO ○ BALL ○ Sleeve | | | | | | | | | |
| A1179-HBT | TC.GN | ○ | 115 | 50/60 | 0.25/0.27 | 24/30 | 2800/3250 | 315/335 | 0.65/0.8 | 62/66 | 1960 |
| A1179-HBL | TC.GN | ○ | 115 | 50/60 | 0.25/0.27 | 24/30 | 2800/3250 | 315/335 | 0.65/0.8 | 62/66 | 1960 |
| A2179-HBT | TC.GN | ○ | 220-240 | 50/60 | 0.11/0.15 | 23/30 | 2800/3250 | 315/335 | 0.65/0.8 | 62/66 | 1960 |
| A2179-HBL | TC.GN | ○ | 220-240 | 50/60 | 0.11/0.15 | 23/30 | 2800/3250 | 315/335 | 0.65/0.8 | 62/66 | 1960 |

Frame : Aluminum alloy

Safety : UL-CUL/TUV/CE/CCC

■ Air Flow-Static Pressure Characteristics



■ External dimensions(mm)



*All model could be customized. Please contact with Sunon Sales.

*Specifications are subject to change without notice. Please Visit SUNON website at <http://www.sunon.com> for update information.

ø254x89 mm

Alveolate Motor

425~870 CFM



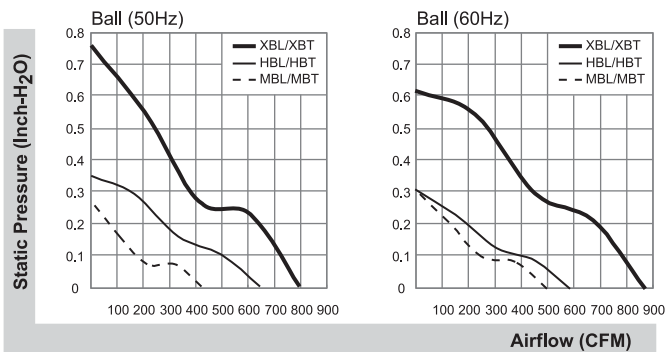
■ Specifications

| Model | P/N | Bearing | Rating Voltage | Freq. | Power Current | Power Consumption | Speed | Air Flow | Static Pressure | Noise | Weight |
|-----------|---------|------------------------------|----------------|-------|---------------|-------------------|-----------|----------|-------------------------|---------|--------|
| | | ● VAPO ○ BALL ◎ Sleeve | (VAC) | (Hz) | (AMP) | (WATTS) | (RPM) | (CFM) | (Inch-H ₂ O) | (dB(A)) | (g) |
| A1259-MBL | TC.N.GN | ○ | 115 | 50/60 | 0.23/0.23 | 20/23 | 1400/1600 | 425/500 | 0.27/0.31 | 54/57 | 2300 |
| A1259-MBT | TC.N.GN | ○ | 115 | 50/60 | 0.23/0.23 | 20/23 | 1400/1600 | 425/500 | 0.27/0.31 | 54/57 | 2300 |
| A1259-HBL | TC.N.GN | ○ | 115 | 50/60 | 0.60/0.65 | 63/72 | 2100/1900 | 650/585 | 0.35/0.31 | 62/60 | 2300 |
| A1259-HBT | TC.N.GN | ○ | 115 | 50/60 | 0.60/0.65 | 63/72 | 2100/1900 | 650/585 | 0.35/0.31 | 62/60 | 2300 |
| A1259-XBL | TC.N.GN | ○ | 115 | 50/60 | 0.83/1.10 | 88/120 | 2600/2900 | 800/870 | 0.76/0.62 | 68/70 | 2400 |
| A1259-XBT | TC.N.GN | ○ | 115 | 50/60 | 0.83/1.10 | 88/120 | 2600/2900 | 800/870 | 0.76/0.62 | 68/70 | 2400 |
| A2259-MBL | TC.N.GN | ○ | 220-240 | 50/60 | 0.15/0.13 | 23/30 | 1400/1600 | 425/500 | 0.27/0.31 | 54/57 | 2300 |
| A2259-MBT | TC.N.GN | ○ | 220-240 | 50/60 | 0.15/0.13 | 23/30 | 1400/1600 | 425/500 | 0.27/0.31 | 54/57 | 2300 |
| A2259-HBL | TC.N.GN | ○ | 220-240 | 50/60 | 0.24/0.27 | 56/60 | 2100/1900 | 650/585 | 0.35/0.31 | 62/60 | 2300 |
| A2259-HBT | TC.N.GN | ○ | 220-240 | 50/60 | 0.24/0.27 | 56/60 | 2100/1900 | 650/585 | 0.35/0.31 | 62/60 | 2300 |

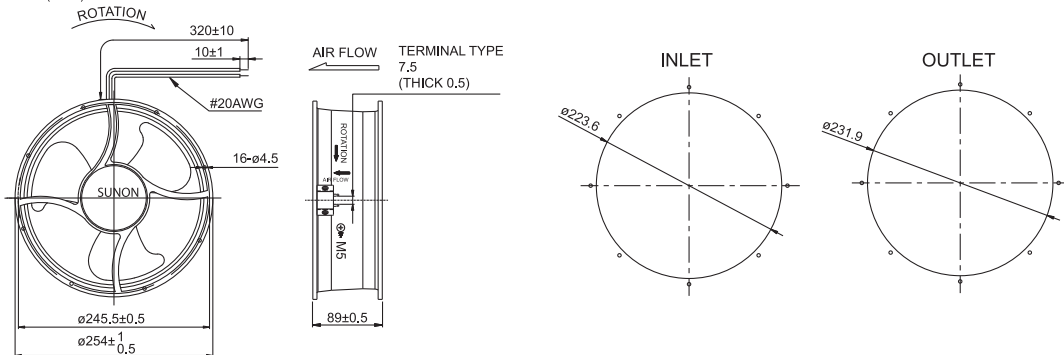
Frame : Aluminum alloy

Safety : UL-CUL/TUV/CE/CCC

■ Air Flow-Static Pressure Characteristics



■ External dimensions(mm)



*All model could be customized. Please contact with Sunon Sales.

*Specifications are subject to change without notice. Please Visit SUNON website at <http://www.sunon.com> for update information.

120x120x31 mm

20~22 CFM



■ Specifications

| Model | P/N | Bearing | Rating Voltage | Freq. | Power Current | Power Consumption | Speed | Air Flow | Static Pressure | Noise | Weight |
|------------|-----|------------------------------|----------------|-------|---------------|-------------------|-----------|----------|-------------------------|---------|--------|
| | | ● VAPO ○ BALL ⊙ Sleeve | (VAC) | (Hz) | (AMP) | (WATTS) | (RPM) | (CFM) | (Inch-H ₂ O) | (dB(A)) | (g) |
| AB1123-HST | GN | ⊙ | 115 | 50/60 | 0.25/0.21 | 20/18 | 2600/2900 | 20/22 | 0.32/0.46 | 48/50 | 678 |
| AB1123-HSL | GN | ⊙ | 115 | 50/60 | 0.25/0.21 | 20/18 | 2600/2900 | 20/22 | 0.32/0.46 | 48/50 | 678 |
| AB1123-HBT | GN | ○ | 115 | 50/60 | 0.25/0.21 | 20/18 | 2600/2900 | 20/22 | 0.32/0.46 | 48/50 | 678 |
| AB1123-HBL | GN | ○ | 115 | 50/60 | 0.25/0.21 | 20/18 | 2600/2900 | 20/22 | 0.32/0.46 | 48/50 | 678 |
| AB2123-HST | GN | ⊙ | 220-240 | 50/60 | 0.14/0.11 | 20/18 | 2600/2900 | 20/22 | 0.32/0.46 | 48/50 | 678 |
| AB2123-HSL | GN | ⊙ | 220-240 | 50/60 | 0.14/0.11 | 20/18 | 2600/2900 | 20/22 | 0.32/0.46 | 48/50 | 678 |
| AB2123-HBT | GN | ○ | 220-240 | 50/60 | 0.14/0.11 | 20/18 | 2600/2900 | 20/22 | 0.32/0.46 | 48/50 | 678 |
| AB2123-HBL | GN | ○ | 220-240 | 50/60 | 0.14/0.11 | 20/18 | 2600/2900 | 20/22 | 0.32/0.46 | 48/50 | 678 |

Frame : Aluminum alloy

Safety : UL-CUL/TUV/CE/CCC

■ Air Flow-Static Pressure Characteristics



■ External dimensions(mm)



*All model could be customized. Please contact with Sunon Sales.


*Specifications are subject to change without notice. Please Visit SUNON website at <http://www.sunon.com> for update information.



Headquarters
Sunonwealth Electric Machine Industry Co., Ltd.
TEL : +886-7-8135888
E-mail : sunon@email.sunon.com.tw

Sunon Inc. (U.S.A.)
TEL : +1-714-255-0208
E-mail : info@sunon.com

Sunon SAS (Europe)
TEL : +33-1-46154515
E-mail : info@sunoneurope.com



Sunon Taipei Office (Taiwan)
TEL : +886-2-27992383

Sunon Shen Zhen Office (China)
TEL : +86-755-26880688
E-mail : sunon@email.sunon.com.tw

Sunon Beijing Office (China)
TEL : +86-10-62669511
E-mail : sunon@email.sunon.com.tw

Sunon Wuhan Office (China)
TEL : +86-27-81388268
E-mail : sunon@email.sunon.com.tw



Компания «ЭлектроПласт» предлагает заключение долгосрочных отношений при поставках импортных электронных компонентов на взаимовыгодных условиях!

Наши преимущества:

- Оперативные поставки широкого спектра электронных компонентов отечественного и импортного производства напрямую от производителей и с крупнейших мировых складов;
- Поставка более 17-ти миллионов наименований электронных компонентов;
- Поставка сложных, дефицитных, либо снятых с производства позиций;
- Оперативные сроки поставки под заказ (от 5 рабочих дней);
- Экспресс доставка в любую точку России;
- Техническая поддержка проекта, помощь в подборе аналогов, поставка прототипов;
- Система менеджмента качества сертифицирована по Международному стандарту ISO 9001;
- Лицензия ФСБ на осуществление работ с использованием сведений, составляющих государственную тайну;
- Поставка специализированных компонентов (Xilinx, Altera, Analog Devices, Intersil, Interpoint, Microsemi, Aeroflex, Peregrine, Syfer, Eurofarad, Texas Instrument, Miteq, Cobham, E2V, MA-COM, Hittite, Mini-Circuits, General Dynamics и др.);

Помимо этого, одним из направлений компании «ЭлектроПласт» является направление «Источники питания». Мы предлагаем Вам помощь Конструкторского отдела:

- Подбор оптимального решения, техническое обоснование при выборе компонента;
- Подбор аналогов;
- Консультации по применению компонента;
- Поставка образцов и прототипов;
- Техническая поддержка проекта;
- Защита от снятия компонента с производства.



Как с нами связаться

Телефон: 8 (812) 309 58 32 (многоканальный)

Факс: 8 (812) 320-02-42

Электронная почта: org@eplast1.ru

Адрес: 198099, г. Санкт-Петербург, ул. Калинина, дом 2, корпус 4, литера А.