

Single/Dual/Quad 100V/ μ s, 85MHz, Rail-to-Rail Input and Output Op Amps

FEATURES

- **Slew Rate: 100V/ μ s**
- **Gain Bandwidth Product: 85MHz**
- **Input Common Mode Range Includes Both Rails**
- **Output Swings Rail-to-Rail**
- **Low Quiescent Current: 3mA Max per Amplifier**
- Large Output Current: 42mA
- Voltage Noise: 21nV/ $\sqrt{\text{Hz}}$
- Power Supply Rejection: 90dB
- Open-Loop Gain: 60V/mV
- Operating Temperature Range: -40°C to 85°C
- Single Available in the 8-Pin SO and 5-Pin Low Profile (1mm) SOT-23 (ThinSOT™) Package
- Dual Available in 8-Lead DFN and SO Packages
- Quad Available in the 14-Pin Narrow SO Package

APPLICATIONS

- Low Voltage, High Frequency Signal Processing
- Driving A/D Converters
- Rail-to-Rail Buffer Amplifiers
- Active Filters
- Video Line Driver

LT, LTC and LT are registered trademarks of Linear Technology Corporation.
ThinSOT is a trademark of Linear Technology Corporation.

DESCRIPTION

The LT[®]1803/LT1804/LT1805 are single/dual/quad, low power, high speed rail-to-rail input and output operational amplifiers with excellent DC performance. The LT1803/LT1804/LT1805 feature reduced supply current, lower input offset voltage, lower input bias current and higher DC gain than other devices with comparable bandwidth and slew rate.

Typically, the LT1803/LT1804/LT1805 have an input offset voltage of 350 μ V, an input bias current of 125nA and an open-loop gain of 60V/mV.

The LT1803/LT1804/LT1805 have an input range that includes both supply rails and an output that swings within 20mV of either supply rail to maximize the signal dynamic range in low supply applications.

The LT1803/LT1804/LT1805 are specified at 3V, 5V and ± 5 V supplies and typically maintain their performance for supplies from 2.3V to 12.6V. The inputs can be driven beyond the supplies without damage or phase reversal of the output.

The LT1803 is available in the 8-pin SO package with the standard op amp pinout and in the 5-pin SOT-23 package. The LT1804 is available in 8-pin DFN and SO packages with the standard op amp pinouts. The LT1805 features the standard quad op amp configuration and is available in a 14-pin plastic SO package.

TYPICAL APPLICATION



Inverting DC Restore Circuit Response

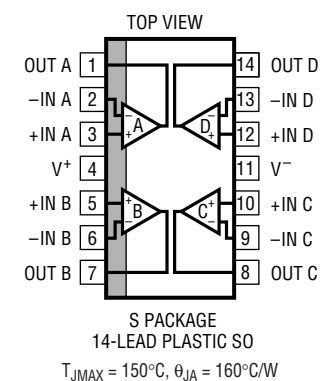


LT1803/LT1804/LT1805

ABSOLUTE MAXIMUM RATINGS (Note 1)

| | | | |
|---|-------------------|--|----------------|
| Total Supply Voltage (V^+ to V^-) | 12.6V | Maximum Junction Temperature (DD Package) .. | 125°C |
| Input Current (Note 2) | $\pm 10\text{mA}$ | Storage Temperature Range | -65°C to 150°C |
| Output Short-Circuit Duration (Note 3) | Indefinite | Storage Temperature Range (DD Package) | -65°C to 125°C |
| Operating Temperature Range (Note 4) .. | -40°C to 85°C | Lead Temperature (Soldering, 10 sec) | 300°C |
| Specified Temperature Range (Note 5) ... | -40°C to 85°C | | |
| Maximum Junction Temperature | 150°C | | |

PACKAGE/ORDER INFORMATION

| | | | |
|---|------------------|---|-----------------|
|  <p>S5 PACKAGE 5-LEAD PLASTIC TSOT-23 $T_{JMAX} = 150^{\circ}\text{C}$, $\theta_{JA} = 250^{\circ}\text{C/W}$</p> | |  <p>S8 PACKAGE 8-LEAD PLASTIC SO $T_{JMAX} = 150^{\circ}\text{C}$, $\theta_{JA} = 190^{\circ}\text{C/W}$</p> | |
| ORDER PART NUMBER | S5 PART MARKING* | ORDER PART NUMBER | S8 PART MARKING |
| LT1803CS5 LT1803IS5 | LTAFN | LT1803CS8 LT1803IS8 | 1803 1803I |
|  <p>DD PACKAGE 8-LEAD (3mm x 3mm) PLASTIC DFN $T_{JMAX} = 125^{\circ}\text{C}$, $\theta_{JA} = 160^{\circ}\text{C/W}$ UNDERSIDE METAL INTERNALLY CONNECTED TO V^- (PCB CONNECTION OPTIONAL)</p> | |  <p>S8 PACKAGE 8-LEAD PLASTIC SO $T_{JMAX} = 150^{\circ}\text{C}$, $\theta_{JA} = 190^{\circ}\text{C/W}$</p> | |
| ORDER PART NUMBER | DD PART MARKING* | ORDER PART NUMBER | S8 PART MARKING |
| LT1804CDD LT1804IDD | LADJ | LT1804CS8 LT1804IS8 | 1804 1804I |
| | |  <p>S PACKAGE 14-LEAD PLASTIC SO $T_{JMAX} = 150^{\circ}\text{C}$, $\theta_{JA} = 160^{\circ}\text{C/W}$</p> | |
| | | ORDER PART NUMBER | |
| | | LT1805CS LT1805IS | |

Consult LTC Marketing for parts specified with wider operating temperature ranges.
*The temperature grades are identified by a label on the shipping container.

ELECTRICAL CHARACTERISTICS

$T_A = 25^\circ\text{C}$; $V_S = 5\text{V}, 0\text{V}$; $V_S = 3\text{V}, 0\text{V}$; $V_{CM} = V_{OUT} = \text{half supply}$, unless otherwise noted

| SYMBOL | PARAMETER | CONDITIONS | MIN | TYP | MAX | UNITS |
|-----------------|---|---|---|-------|-------|------------------------------|
| V_{OS} | Input Offset Voltage | $V_{CM} = 0\text{V}$ | | 0.35 | 2 | mV |
| | | $V_{CM} = 0\text{V}$ (DD Package) | | 1.00 | 3 | mV |
| | | $V_{CM} = 0\text{V}$ (SOT-23 Package) | | 1.00 | 5 | mV |
| | | $V_{CM} = V_S$ | | 1.50 | 8 | mV |
| ΔV_{OS} | Input Offset Shift | $V_{CM} = 0\text{V}$ to $V_S - 2\text{V}$ | | 0.125 | 0.50 | mV |
| | Input Offset Voltage Match (Channel-to-Channel) (Note 9) | $V_{CM} = 0\text{V}$ | | 0.5 | 3.5 | mV |
| | | $V_{CM} = 0\text{V}$ (DD Package) | | 1.0 | 5.0 | mV |
| I_B | Input Bias Current | $V_{CM} = 1\text{V}$ | | 125 | 750 | nA |
| | | $V_{CM} = V_S$ | | 3 | 5.5 | μA |
| | Input Bias Current Match (Channel-to-Channel) (Note 9) | $V_{CM} = 1\text{V}$ | | 100 | 1250 | nA |
| | | $V_{CM} = V_S$ | | 100 | 1500 | nA |
| I_{OS} | Input Offset Current | $V_{CM} = 1\text{V}$ | | 100 | 1000 | nA |
| | | $V_{CM} = V_S$ | | 50 | 1000 | nA |
| | Input Noise Voltage | 0.1Hz to 10Hz | | 4 | | μV_{P-P} |
| e_n | Input Noise Voltage Density | $f = 10\text{kHz}$ | | 21 | | $\text{nV}/\sqrt{\text{Hz}}$ |
| i_n | Input Noise Current Density | $f = 10\text{kHz}$ | | 2.5 | | $\text{pA}/\sqrt{\text{Hz}}$ |
| C_{IN} | Input Capacitance | | | 2 | | pF |
| A_{VOL} | Large-Signal Voltage Gain | $V_S = 5\text{V}, V_O = 0.5\text{V}$ to $4.5\text{V}, R_L = 1\text{k}$ to $V_S/2$ | 20 | 60 | | V/mV |
| | | $V_S = 5\text{V}, V_O = 1\text{V}$ to $4\text{V}, R_L = 100\Omega$ to $V_S/2$ | 2 | 4.5 | | V/mV |
| | | $V_S = 3\text{V}, V_O = 0.5\text{V}$ to $2.5\text{V}, R_L = 1\text{k}$ to $V_S/2$ | 15 | 45 | | V/mV |
| CMRR | Common Mode Rejection Ratio | $V_S = 5\text{V}, V_{CM} = 0\text{V}$ to 3V | 75 | 96 | | dB |
| | | $V_S = 3\text{V}, V_{CM} = 0\text{V}$ to 1V | 66 | 90 | | dB |
| | CMRR Match (Channel-to-Channel) (Note 9) | $V_S = 5\text{V}, V_{CM} = 0\text{V}$ to 3V | 69 | 91 | | dB |
| | | $V_S = 3\text{V}, V_{CM} = 0\text{V}$ to 1V | 60 | 85 | | dB |
| | Input Common Mode Range | | 0 | | V_S | V |
| PSRR | Power Supply Rejection Ratio | $V_S = 2.5\text{V}$ to $10\text{V}, V_{CM} = 0\text{V}$ | 68 | 90 | | dB |
| | | PSRR Match (Channel-to-Channel) (Note 9) | $V_S = 2.5\text{V}$ to $10\text{V}, V_{CM} = 0\text{V}$ | 62 | 90 | |
| | Minimum Supply Voltage (Note 6) | | | 2.3 | 2.5 | V |
| V_{OL} | Output Voltage Swing Low (Note 7) | No Load | | 17 | 60 | mV |
| | | $I_{SINK} = 5\text{mA}$ | | 80 | 150 | mV |
| | | $I_{SINK} = 15\text{mA}$ | | 180 | 300 | mV |
| V_{OH} | Output Voltage Swing High (Note 7) | No Load | | 17 | 60 | mV |
| | | $I_{SOURCE} = 5\text{mA}$ | | 125 | 250 | mV |
| | | $I_{SOURCE} = 15\text{mA}$ | | 350 | 600 | mV |
| I_{SC} | Short-Circuit Current (Note 3) | $V_S = 5\text{V}$ | 20 | 42 | | mA |
| | | $V_S = 3\text{V}$ | 18 | 34 | | mA |
| I_S | Supply Current per Amplifier | | | 2.7 | 3 | mA |
| GBW | Gain Bandwidth Product | $V_S = 5\text{V}$, Frequency = 2MHz , $R_L = 1\text{k}$ to 2.5V | 50 | 85 | | MHz |
| SR | Slew Rate | $V_S = 5\text{V}, A_V = -1, R_L = 1\text{k}$ to $V_S/2, V_O = 0.5\text{V}$ to 4.5V Measured at $V_O = 1.5\text{V}, 3.5\text{V}$ | 65 | 100 | | V/ μs |
| FPBW | Full Power Bandwidth (Note 10) | $V_S = 5\text{V}, A_V = -1, V_O = 0.5\text{V}$ to $4.5\text{V}, R_L = 1\text{k}$ to $V_S/2$ | | 8 | | MHz |
| HD | Harmonic Distortion | $V_S = 5\text{V}, A_V = 1, R_L = 1\text{k}, V_O = 2V_{P-P}, f_C = 1\text{MHz}$ | | -75 | | dBc |
| t_S | Settling Time | 0.01%, $V_S = 5\text{V}, V_{STEP} = 2\text{V}, A_V = 1, R_L = 1\text{k}$ | | 350 | | ns |
| ΔG | Differential Gain (NTSC) | $V_S = 5\text{V}, A_V = 2, R_L = 150\Omega$ | | 0.15 | | % |
| $\Delta\theta$ | Differential Phase (NTSC) | $V_S = 5\text{V}, A_V = 2, R_L = 150\Omega$ | | 1 | | Deg |

ELECTRICAL CHARACTERISTICS The ● denotes specifications which apply over the $0^{\circ}\text{C} \leq T_A \leq 70^{\circ}\text{C}$ temperature range. $V_S = 5\text{V}, 0\text{V}; V_S = 3\text{V}, 0\text{V}; V_{CM} = V_{OUT} = \text{half supply unless otherwise noted.}$

| SYMBOL | PARAMETER | CONDITIONS | | MIN | TYP | MAX | UNITS |
|-----------------|--|---|--------|-----------|--------------|-----|--------------------------------|
| V_{OS} | Input Offset Voltage | $V_{CM} = 0\text{V}$ | ● | 0.50 | 3.5 | | mV |
| | | $V_{CM} = 0\text{V}$ (DD Package) | ● | 1.25 | 5 | | mV |
| | | $V_{CM} = 0\text{V}$ (SOT-23 Package) | ● | 1.25 | 6 | | mV |
| | | $V_{CM} = V_S$ | ● | 1.60 | 8.5 | | mV |
| ΔV_{OS} | Input Offset Shift | $V_{CM} = 0\text{V}$ to $V_S - 2\text{V}$ | ● | 0.05 | 0.8 | | mV |
| | Input Offset Voltage Match (Channel-to-Channel) (Note 9) | $V_{CM} = 0\text{V}$ | ● | 0.75 | 5.5 | | mV |
| | | $V_{CM} = 0\text{V}$ (DD Package) | ● | 1.50 | 7.5 | | mV |
| $V_{OS\ TC}$ | Input Offset Voltage Drift (Note 8) | | ● | 10 | 35 | | $\mu\text{V}/^{\circ}\text{C}$ |
| I_B | Input Bias Current | $V_{CM} = 1\text{V}$ | ● | 150 | 1100 | | nA |
| | | $V_{CM} = V_S - 0.2\text{V}$ | ● | 3.2 | 6 | | μA |
| | Input Bias Current Match (Channel-to-Channel) (Note 9) | $V_{CM} = 1\text{V}$ | ● | 120 | 1500 | | nA |
| | | $V_{CM} = V_S - 0.2\text{V}$ | ● | 120 | 1800 | | nA |
| I_{OS} | Input Offset Current | $V_{CM} = 1\text{V}$ $V_{CM} = V_S - 0.2\text{V}$ | ● ● | 100 50 | 1400 1400 | | nA nA |
| A_{VOL} | Large-Signal Voltage Gain | $V_S = 5\text{V}, V_O = 0.5\text{V}$ to $4.5\text{V}, R_L = 1\text{k}$ to $V_S/2$ | ● | 15 | 50 | | V/mV |
| | | $V_S = 5\text{V}, V_O = 1\text{V}$ to $4\text{V}, R_L = 100\Omega$ to $V_S/2$ | ● | 1.4 | 3.7 | | V/mV |
| | | $V_S = 3\text{V}, V_O = 0.5\text{V}$ to $2.5\text{V}, R_L = 1\text{k}$ to $V_S/2$ | ● | 10 | 40 | | V/mV |
| CMRR | Common Mode Rejection Ratio | $V_S = 5\text{V}, V_{CM} = 0\text{V}$ to 3V | ● | 71 | 95 | | dB |
| | | $V_S = 3\text{V}, V_{CM} = 0\text{V}$ to 1V | ● | 61 | 90 | | dB |
| | CMRR Match (Channel-to-Channel) (Note 9) | $V_S = 5\text{V}, V_{CM} = 0\text{V}$ to 3V $V_S = 3\text{V}, V_{CM} = 0\text{V}$ to 1V | ● ● | 65 55 | 90 85 | | dB dB |
| | Input Common Mode Range | | ● | 0 | V_S | | V |
| PSRR | Power Supply Rejection Ratio | $V_S = 2.5\text{V}$ to $10\text{V}, V_{CM} = 0\text{V}$ | ● | 65 | 87 | | dB |
| | | PSRR Match (Channel-to-Channel) (Note 9) | ● | 59 | 87 | | dB |
| | Minimum Supply Voltage (Note 6) | | ● | 2.3 | 2.5 | | V |
| V_{OL} | Output Voltage Swing Low (Note 7) | No Load | ● | 19 | 80 | | mV |
| | | $I_{SINK} = 5\text{mA}$ | ● | 100 | 225 | | mV |
| | | $I_{SINK} = 15\text{mA}$ | ● | 200 | 450 | | mV |
| V_{OH} | Output Voltage Swing High (Note 7) | No Load | ● | 19 | 80 | | mV |
| | | $I_{SOURCE} = 5\text{mA}$ | ● | 150 | 350 | | mV |
| | | $I_{SOURCE} = 15\text{mA}$ | ● | 450 | 900 | | mV |
| I_{SC} | Short-Circuit Current (Note 3) | $V_S = 5\text{V}$ | ● | 17 | 40 | | mA |
| | | $V_S = 3\text{V}$ | ● | 15 | 28 | | mA |
| I_S | Supply Current per Amplifier | | ● | 3 | 3.75 | | mA |
| GBW | Gain Bandwidth Product | $V_S = 5\text{V}, \text{Frequency} = 2\text{MHz}, R_L = 1\text{k}$ to 2.5V | ● | 45 | 82 | | MHz |
| SR | Slew Rate | $V_S = 5\text{V}, A_V = -1, R_L = 1\text{k}$ to $V_S/2, V_O = 0.5\text{V}$ to 4.5V Measured at $V_O = 1.5\text{V}, 3.5\text{V}$ | ● | 45 | 93 | | V/ μs |

ELECTRICAL CHARACTERISTICS The ● denotes specifications which apply over the $-40^{\circ}\text{C} \leq T_A \leq 85^{\circ}\text{C}$ temperature range. $V_S = 5\text{V}, 0\text{V}$; $V_S = 3\text{V}, 0\text{V}$; $V_{CM} = V_{OUT} = \text{half supply unless otherwise noted. (Note 5)}$

| SYMBOL | PARAMETER | CONDITIONS | MIN | TYP | MAX | UNITS |
|-----------------|--|---|-----|-------|-------|--------------------------------|
| V_{OS} | Input Offset Voltage | $V_{CM} = 0\text{V}$ | ● | 0.7 | 4 | mV |
| | | $V_{CM} = 0\text{V}$ (DD Package) | ● | 1.5 | 6.5 | mV |
| | | $V_{CM} = 0\text{V}$ (SOT-23 Package) | ● | 1.5 | 7 | mV |
| | | $V_{CM} = V_S$ | ● | 1.7 | 9 | mV |
| ΔV_{OS} | Input Offset Shift | $V_{CM} = 0\text{V}$ to $V_S - 2\text{V}$ | ● | 0.125 | 1.00 | mV |
| | Input Offset Voltage Match (Channel-to-Channel) (Note 9) | $V_{CM} = 0\text{V}$ | ● | 1 | 6.5 | mV |
| | | $V_{CM} = 0\text{V}$ (DD Package) | ● | 2 | 9 | mV |
| $V_{OS\ TC}$ | Input Offset Voltage Drift (Note 8) | | ● | 10 | 35 | $\mu\text{V}/^{\circ}\text{C}$ |
| I_B | Input Bias Current | $V_{CM} = 1\text{V}$ | ● | 200 | 1500 | nA |
| | | $V_{CM} = V_S - 0.2\text{V}$ | ● | 3.4 | 6.5 | μA |
| | Input Bias Current Match (Channel-to-Channel) (Note 9) | $V_{CM} = 1\text{V}$ | ● | 150 | 2000 | nA |
| | | $V_{CM} = V_S - 0.2\text{V}$ | ● | 150 | 2200 | nA |
| I_{OS} | Input Offset Current | $V_{CM} = 1\text{V}$ | ● | 100 | 1600 | nA |
| | | $V_{CM} = V_S - 0.2\text{V}$ | ● | 50 | 1600 | nA |
| A_{VOL} | Large-Signal Voltage Gain | $V_S = 5\text{V}, V_O = 0.5\text{V}$ to $4.5\text{V}, R_L = 1\text{k}$ to $V_S/2$ | ● | 12 | 48 | V/mV |
| | | $V_S = 5\text{V}, V_O = 1.5\text{V}$ to $3.5\text{V}, R_L = 100\Omega$ to $V_S/2$ | ● | 1.3 | 4.8 | V/mV |
| | | $V_S = 3\text{V}, V_O = 0.5\text{V}$ to $2.5\text{V}, R_L = 1\text{k}$ to $V_S/2$ | ● | 8 | 35 | V/mV |
| CMRR | Common Mode Rejection Ratio | $V_S = 5\text{V}, V_{CM} = 0\text{V}$ to 3V | ● | 69 | 95 | dB |
| | | $V_S = 3\text{V}, V_{CM} = 0\text{V}$ to 1V | ● | 60 | 90 | dB |
| | CMRR Match (Channel-to-Channel) (Note 9) | $V_S = 5\text{V}, V_{CM} = 0\text{V}$ to 3V | ● | 63 | 90 | dB |
| | | $V_S = 3\text{V}, V_{CM} = 0\text{V}$ to 1V | ● | 54 | 85 | dB |
| | Input Common Mode Range | | ● | 0 | V_S | V |
| PSRR | Power Supply Rejection Ratio | $V_S = 2.5\text{V}$ to $10\text{V}, V_{CM} = 0\text{V}$ | ● | 64 | 86 | dB |
| | | PSRR Match (Channel-to-Channel) (Note 9) | ● | 58 | 86 | dB |
| | Minimum Supply Voltage (Note 6) | | ● | 2.3 | 2.5 | V |
| V_{OL} | Output Voltage Swing Low (Note 7) | No Load | ● | 20 | 90 | mV |
| | | $I_{SINK} = 5\text{mA}$ | ● | 100 | 250 | mV |
| | | $I_{SINK} = 10\text{mA}$ | ● | 170 | 350 | mV |
| V_{OH} | Output Voltage Swing High (Note 7) | No Load | ● | 20 | 90 | mV |
| | | $I_{SOURCE} = 5\text{mA}$ | ● | 170 | 400 | mV |
| | | $I_{SOURCE} = 10\text{mA}$ | ● | 300 | 600 | mV |
| I_{SC} | Short-Circuit Current (Note 3) | $V_S = 5\text{V}$ | ● | 12 | 35 | mA |
| | | $V_S = 3\text{V}$ | ● | 11 | 27 | mA |
| I_S | Supply Current per Amplifier | | ● | 3.1 | 4.25 | mA |
| GBW | Gain Bandwidth Product | $V_S = 5\text{V}$, Frequency = 2MHz , $R_L = 1\text{k}$ to 2.5V | ● | 40 | 77 | MHz |
| SR | Slew Rate | $V_S = 5\text{V}, A_V = -1, R_L = 1\text{k}$ to $V_S/2, V_O = 0.5\text{V}$ to 4.5V Measured at $V_O = 1.5\text{V}, 3.5\text{V}$ | ● | 30 | 70 | $\text{V}/\mu\text{s}$ |

ELECTRICAL CHARACTERISTICS $T_A = 25^\circ\text{C}$, $V_S = \pm 5\text{V}$, $V_{CM} = 0\text{V}$, $V_{OUT} = 0\text{V}$, unless otherwise noted

| SYMBOL | PARAMETER | CONDITIONS | MIN | TYP | MAX | UNITS |
|-----------------|--|---|---------|------|---------|------------------------------|
| V_{OS} | Input Offset Voltage | $V_{CM} = -5\text{V}$ | | 0.35 | 2.5 | mV |
| | | $V_{CM} = -5\text{V}$ (DD Package) | | 1.50 | 3.5 | mV |
| | | $V_{CM} = -5\text{V}$ (SOT-23 Package) | | 1.50 | 6 | mV |
| | | $V_{CM} = 5\text{V}$ | | 1.50 | 8 | mV |
| ΔV_{OS} | Input Offset Shift | $V_{CM} = -5\text{V}$ to 3V | | 0.3 | 1 | mV |
| | Input Offset Voltage Match (Channel-to-Channel) (Note 9) | $V_{CM} = -5\text{V}$ | | 0.5 | 4 | mV |
| | | $V_{CM} = -5\text{V}$ (DD Package) | | 1 | 5.5 | mV |
| I_B | Input Bias Current | $V_{CM} = -4\text{V}$ | | 125 | 750 | nA |
| | | $V_{CM} = 5\text{V}$ | | 2.5 | 5.5 | μA |
| | Input Bias Current Match (Channel-to-Channel) (Note 9) | $V_{CM} = -4\text{V}$ | | 150 | 1250 | nA |
| | | $V_{CM} = 5\text{V}$ | | 150 | 1500 | nA |
| I_{OS} | Input Offset Current | $V_{CM} = -4\text{V}$ | | 100 | 1000 | nA |
| | | $V_{CM} = 5\text{V}$ | | 50 | 1000 | nA |
| | Input Noise Voltage | 0.1Hz to 10Hz | | 4 | | μV_{P-P} |
| e_n | Input Noise Voltage Density | $f = 10\text{kHz}$ | | 21 | | $\text{nV}/\sqrt{\text{Hz}}$ |
| i_n | Input Noise Current Density | $f = 10\text{kHz}$ | | 2.5 | | $\text{pA}/\sqrt{\text{Hz}}$ |
| C_{IN} | Input Capacitance | $f = 100\text{kHz}$ | | 2 | | pF |
| A_{VOL} | Large-Signal Voltage Gain | $V_O = -4\text{V}$ to 4V , $R_L = 1\text{k}$ | 20 | 55 | | V/mV |
| | | $V_O = -1.5\text{V}$ to 1.5V , $R_L = 100\Omega$ | 2 | 5 | | V/mV |
| CMRR | Common Mode Rejection Ratio | $V_{CM} = -5\text{V}$ to 3V | 78 | 96 | | dB |
| | CMRR Match (Channel-to-Channel) (Note 9) | $V_{CM} = -5\text{V}$ to 3V | 72 | 96 | | dB |
| | Input Common Mode Range | | V_S^- | | V_S^+ | V |
| PSRR | Power Supply Rejection Ratio | $V_S^+ = 2.5\text{V}$ to 10V , $V_S^- = 0\text{V}$, $V_{OUT} = V_S^+/2$ | 68 | 90 | | dB |
| | PSRR Match (Channel-to-Channel) (Note 9) | $V_S^+ = 2.5\text{V}$ to 10V , $V_S^- = 0\text{V}$, $V_{OUT} = V_S^+/2$ | 62 | 90 | | dB |
| V_{OL} | Output Voltage Swing Low (Note 7) | No Load | | 17 | 60 | mV |
| | | $I_{SINK} = 5\text{mA}$ | | 85 | 150 | mV |
| | | $I_{SINK} = 15\text{mA}$ | | 200 | 300 | mV |
| V_{OH} | Output Voltage Swing High (Note 7) | No Load | | 17 | 60 | mV |
| | | $I_{SOURCE} = 5\text{mA}$ | | 125 | 250 | mV |
| | | $I_{SOURCE} = 15\text{mA}$ | | 350 | 600 | mV |
| I_{SC} | Short-Circuit Current (Note 3) | | 25 | 50 | | mA |
| I_S | Supply Current per Amplifier | | | 2.5 | 3 | mA |
| GBW | Gain Bandwidth Product | Frequency = 2MHz , $R_L = 1\text{k}$ | | 83 | | MHz |
| SR | Slew Rate | $A_V = -1$, $R_L = 1\text{k}$, $V_O = \pm 4\text{V}$ Measured at $V_O = \pm 2\text{V}$ | | 88 | | V/ μs |
| FPBW | Full Power Bandwidth (Note 10) | $V_O = 8V_{P-P}$, $A_V = -1$, $R_L = 1\text{k}$ | | 4 | | MHz |
| HD | Harmonic Distortion | $A_V = 1$, $R_L = 1\text{k}$, $V_O = 2V_{P-P}$, $f_C = 1\text{MHz}$ | | -75 | | dBc |
| t_S | Settling Time | 0.01%, $V_{STEP} = 5\text{V}$, $A_V = 1$, $R_L = 1\text{k}$ | | 500 | | ns |
| ΔG | Differential Gain (NTSC) | $A_V = 2$, $R_L = 150\Omega$ | | 0.75 | | % |
| $\Delta\theta$ | Differential Phase (NTSC) | $A_V = 2$, $R_L = 150\Omega$ | | 0.8 | | Deg |

ELECTRICAL CHARACTERISTICS The ● denotes specifications which apply over the $0^{\circ}\text{C} \leq T_A \leq 70^{\circ}\text{C}$ temperature range. $V_S = \pm 5\text{V}$, $V_{CM} = 0\text{V}$, $V_{OUT} = 0\text{V}$ unless otherwise noted.

| SYMBOL | PARAMETER | CONDITIONS | MIN | TYP | MAX | UNITS |
|-----------------|--|--|-----|---------|---------|--------------------------------|
| V_{OS} | Input Offset Voltage | $V_{CM} = -5\text{V}$ | ● | 0.5 | 3.5 | mV |
| | | $V_{CM} = -5\text{V}$ (DD Package) | ● | 1.5 | 5 | mV |
| | | $V_{CM} = -5\text{V}$ (SOT-23 Package) | ● | 1.5 | 7 | mV |
| | | $V_{CM} = 5\text{V}$ | ● | 1.4 | 8.5 | mV |
| ΔV_{OS} | Input Offset Shift | $V_{CM} = -5\text{V}$ to 3V | ● | 0.35 | 1.5 | mV |
| | | Input Offset Voltage Match (Channel-to-Channel) (Note 9) | | | | |
| | | $V_{CM} = -5\text{V}$ | ● | 0.75 | 5.5 | mV |
| | | $V_{CM} = -5\text{V}$ (DD Package) | ● | 1.50 | 7.5 | mV |
| $V_{OS\ TC}$ | Input Offset Voltage Drift (Note 8) | | ● | 10 | 35 | $\mu\text{V}/^{\circ}\text{C}$ |
| I_B | Input Bias Current | $V_{CM} = -4\text{V}$ | ● | 175 | 1000 | nA |
| | | $V_{CM} = 4.8\text{V}$ | ● | 2.5 | 6 | μA |
| | Input Bias Current Match (Channel-to-Channel) (Note 9) | $V_{CM} = -4\text{V}$ | ● | 175 | 1500 | nA |
| | | $V_{CM} = 4.8\text{V}$ | ● | 175 | 1800 | nA |
| I_{OS} | Input Offset Current | $V_{CM} = -4\text{V}$ | ● | 100 | 1400 | nA |
| | | $V_{CM} = 4.8\text{V}$ | ● | 50 | 1400 | nA |
| A_{VOL} | Large-Signal Voltage Gain | $V_O = -4\text{V}$ to 4V , $R_L = 1\text{k}$ | ● | 15 | 47 | V/mV |
| | | $V_O = -1.5\text{V}$ to 1.5V , $R_L = 100\Omega$ | ● | 1.5 | 4.5 | V/mV |
| CMRR | Common Mode Rejection Ratio | $V_{CM} = -5\text{V}$ to 3V | ● | 74 | 95 | dB |
| | CMRR Match (Channel-to-Channel) (Note 9) | $V_{CM} = -5\text{V}$ to 3V | ● | 68 | 95 | dB |
| | Input Common Mode Range | | ● | V_S^- | V_S^+ | V |
| PSRR | Power Supply Rejection Ratio | $V_S^+ = 2.5\text{V}$ to 10V , $V_S^- = 0\text{V}$, $V_{OUT} = V_S^+/2$ | ● | 65 | 87 | dB |
| | PSRR Match (Channel-to-Channel) (Note 9) | $V_S^+ = 2.5\text{V}$ to 10V , $V_S^- = 0\text{V}$, $V_{OUT} = V_S^+/2$ | ● | 59 | 87 | dB |
| V_{OL} | Output Voltage Swing Low (Note 7) | No Load | ● | 19 | 80 | mV |
| | | $I_{SINK} = 5\text{mA}$ | ● | 100 | 225 | mV |
| | | $I_{SINK} = 15\text{mA}$ | ● | 220 | 475 | mV |
| V_{OH} | Output Voltage Swing High (Note 7) | No Load | ● | 19 | 80 | mV |
| | | $I_{SOURCE} = 5\text{mA}$ | ● | 150 | 350 | mV |
| | | $I_{SOURCE} = 15\text{mA}$ | ● | 460 | 900 | mV |
| I_{SC} | Short-Circuit Current (Note 3) | | ● | 20 | 46 | mA |
| I_S | Supply Current per Amplifier | | ● | 2.8 | 3.75 | mA |
| GBW | Gain Bandwidth Product | Frequency = 2MHz , $R_L = 1\text{k}$ | ● | 80 | | MHz |
| SR | Slew Rate | $A_V = -1$, $R_L = 1\text{k}$, $V_O = \pm 4\text{V}$, Measured at $V_O = \pm 2\text{V}$ | ● | 84 | | V/ μs |

ELECTRICAL CHARACTERISTICS

The ● denotes specifications which apply over the $-40^{\circ}\text{C} \leq T_A \leq 85^{\circ}\text{C}$ temperature range. $V_S = \pm 5\text{V}$, $V_{CM} = 0\text{V}$, $V_{OUT} = 0\text{V}$ unless otherwise noted. (Note 5)

| SYMBOL | PARAMETER | CONDITIONS | MIN | TYP | MAX | UNITS |
|-----------------|--|---|-----|---------|---------|--------------------------------|
| V_{OS} | Input Offset Voltage | $V_{CM} = -5\text{V}$ | ● | 1 | 4.0 | mV |
| | | $V_{CM} = -5\text{V}$ (DD Package) | ● | 2 | 6.5 | mV |
| | | $V_{CM} = -5\text{V}$ (SOT-23 Package) | ● | 2 | 8 | mV |
| | | $V_{CM} = 5\text{V}$ | ● | 2 | 9 | mV |
| ΔV_{OS} | Input Offset Shift | $V_{CM} = -5\text{V}$ to 3V | ● | 0.4 | 1.7 | mV |
| | Input Offset Voltage Match (Channel-to-Channel) (Note 9) | $V_{CM} = -5\text{V}$ | ● | 1 | 6.5 | mV |
| | | $V_{CM} = -5\text{V}$ (DD Package) | ● | 2 | 9.0 | mV |
| $V_{OS\ TC}$ | Input Offset Voltage Drift (Note 8) | | ● | 10 | 35 | $\mu\text{V}/^{\circ}\text{C}$ |
| I_B | Input Bias Current | $V_{CM} = -4\text{V}$ | ● | 250 | 1200 | nA |
| | | $V_{CM} = 4.8\text{V}$ | ● | 2.5 | 6.5 | μA |
| | Input Bias Current Match (Channel-to-Channel) (Note 9) | $V_{CM} = -4\text{V}$ | ● | 200 | 2000 | nA |
| | | $V_{CM} = 4.8\text{V}$ | ● | 250 | 2200 | nA |
| I_{OS} | Input Offset Current | $V_{CM} = -4\text{V}$ | ● | 100 | 1600 | nA |
| | | $V_{CM} = 4.8\text{V}$ | ● | 50 | 1600 | nA |
| A_{VOL} | Large-Signal Voltage Gain | $V_O = -4\text{V}$ to 4V , $R_L = 1\text{k}$ | ● | 12 | 45 | V/mV |
| | | $V_O = -1\text{V}$ to 1V , $R_L = 100\Omega$ | ● | 1.4 | 5.3 | V/mV |
| CMRR | Common Mode Rejection Ratio | $V_{CM} = -5\text{V}$ to 3V | ● | 73 | 95 | dB |
| | CMRR Match (Channel-to-Channel) (Note 9) | $V_{CM} = -5\text{V}$ to 3V | ● | 67 | 95 | dB |
| | Input Common Mode Range | | ● | V_S^- | V_S^+ | V |
| PSRR | Power Supply Rejection Ratio | $V_S^+ = 2.5\text{V}$ to 10V , $V_S^- = 0\text{V}$, $V_{OUT} = V_S^+/2$ | ● | 64 | 86 | dB |
| | PSRR Match (Channel-to-Channel) (Note 9) | $V_S^+ = 2.5\text{V}$ to 10V , $V_S^- = 0\text{V}$, $V_{OUT} = V_S^+/2$ | ● | 58 | 86 | dB |
| V_{OL} | Output Voltage Swing Low (Note 7) | No Load | ● | 20 | 90 | mV |
| | | $I_{SINK} = 5\text{mA}$ | ● | 110 | 250 | mV |
| | | $I_{SINK} = 10\text{mA}$ | ● | 170 | 350 | mV |
| V_{OH} | Output Voltage Swing High (Note 7) | No Load | ● | 20 | 90 | mV |
| | | $I_{SOURCE} = 5\text{mA}$ | ● | 170 | 400 | mV |
| | | $I_{SOURCE} = 10\text{mA}$ | ● | 300 | 600 | mV |
| I_{SC} | Short-Circuit Current (Note 3) | | ● | 12.5 | 34 | mA |
| I_S | Supply Current per Amplifier | | ● | 2.9 | 4.25 | mA |
| GBW | Gain Bandwidth Product | Frequency = 2MHz , $R_L = 1\text{k}$ | ● | 75 | | MHz |
| SR | Slew Rate | $A_V = -1$, $R_L = 1\text{k}$, $V_O = \pm 4\text{V}$, Measured at $V_O = \pm 2\text{V}$ | ● | 65 | | V/ μs |

Note 1: Absolute Maximum Ratings are those values beyond which the life of the device may be impaired.

Note 2: The inputs are protected by back-to-back diodes and by ESD diodes to supply rails. If the differential input voltage exceeds 1.4V , or if an input is driven beyond the supply rails, the input current should be limited to less than 10mA . This parameter is not tested; however it is guaranteed by characterization.

Note 3: A heat sink may be required to keep the junction temperature below the absolute maximum rating when the output is shorted indefinitely.

Note 4: The LT1803C/LT1803I, LT1804C/LT1804I and LT1805C/LT1805I are guaranteed functional over the temperature range of -40°C and 85°C .

Note 5: The LT1803C/LT1804C/LT1805C are guaranteed to meet specified performance from 0°C to 70°C . The LT1803C/LT1804C/LT1805C are designed, characterized and expected to meet specified performance from

-40°C to 85°C but are not tested or QA sampled at these temperatures. The LT1803I/LT1804I/LT1805I are guaranteed to meet specified performance from -40°C to 85°C .

Note 6: Minimum supply voltage is guaranteed by power supply rejection ratio test.

Note 7: Output voltage swings are measured between the output and power supply rails.

Note 8: This parameter is not 100% tested.

Note 9: Matching parameters are the difference between amplifiers A and D and between B and C on the LT1805; between the two amplifiers on the LT1804.

Note 10: Full power bandwidth is based on slew rate:

$$\text{FPBW} = \text{SR}/2\pi V_P$$

TYPICAL PERFORMANCE CHARACTERISTICS

**V_{OS} Distribution, $V_{CM} = 0V$
(SO-8, PNP Stage)**



180345 G01

**V_{OS} Distribution, $V_{CM} = 5V$
(SO-8, NPN Stage)**



180345 G02

**V_{OS} Distribution, $V_{CM} = 0V$
(SOT-23, PNP Stage)**



180345 G03

**V_{OS} Distribution, $V_{CM} = 5V$
(SOT-23, NPN Stage)**



180345 G04

Supply Current vs Supply Voltage



180345 G05

Offset Voltage vs Input Common Mode Voltage



180345 G06

Input Bias Current vs Common Mode Voltage



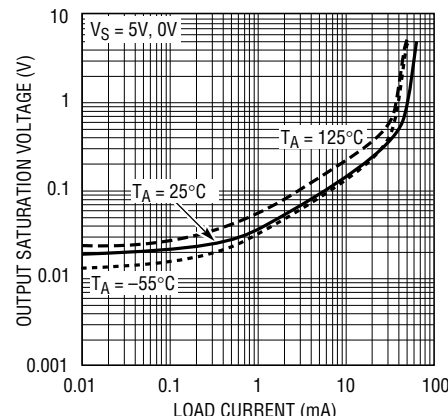
180345 G07

Input Bias Current vs Temperature



180345 G08

Output Saturation Voltage vs Load Current (Output Low)



180345 G09

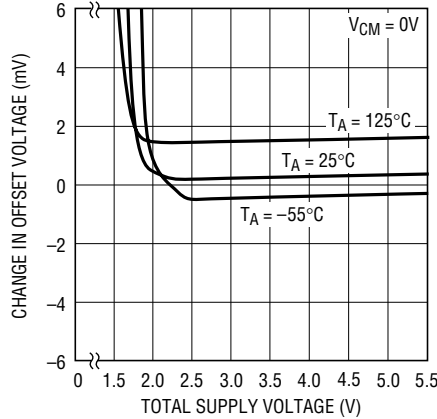
TYPICAL PERFORMANCE CHARACTERISTICS

Output Saturation Voltage vs Load Current (Output High)



180345 G10

Minimum Supply Voltage



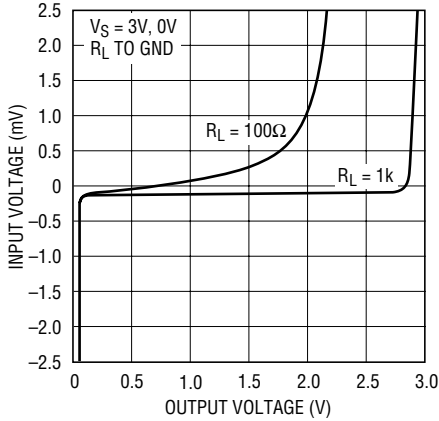
180345 G11

Output Short-Circuit Current vs Power Supply Voltage



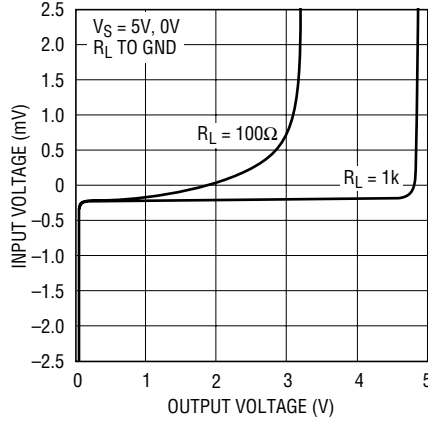
180345 G12

Open-Loop Gain



180345 G13

Open-Loop Gain



180345 G14

Open-Loop Gain



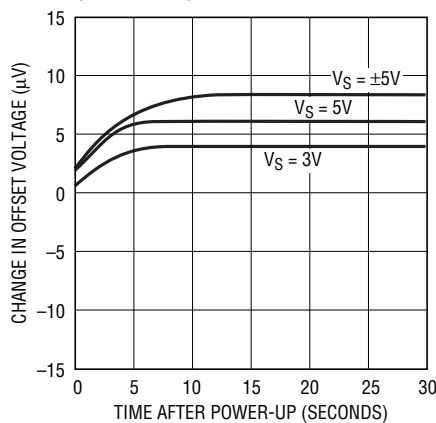
180345 G15

Offset Voltage Change vs Output Current



180345 G16

Warm-Up Drift vs Time (LT1804S8)



180345 G17

Input Noise Voltage vs Frequency



180345 G18

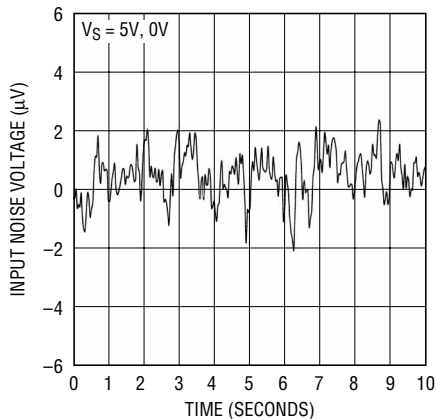
TYPICAL PERFORMANCE CHARACTERISTICS

Input Current Noise vs Frequency



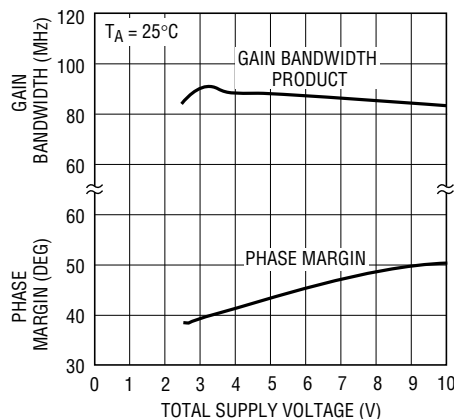
180345 G19

0.1Hz to 10Hz Voltage Noise



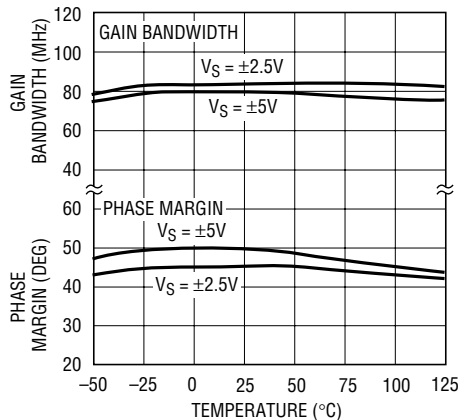
180345 G20

Gain Bandwidth and Phase Margin vs Supply Voltage



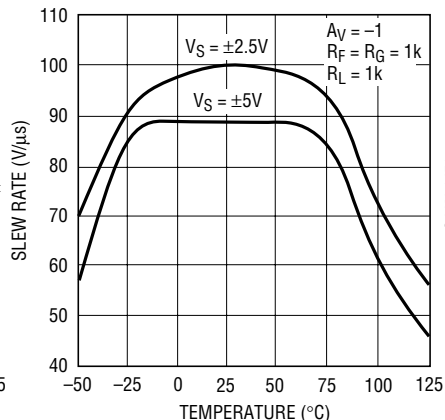
180345 G21

Gain Bandwidth and Phase Margin vs Temperature



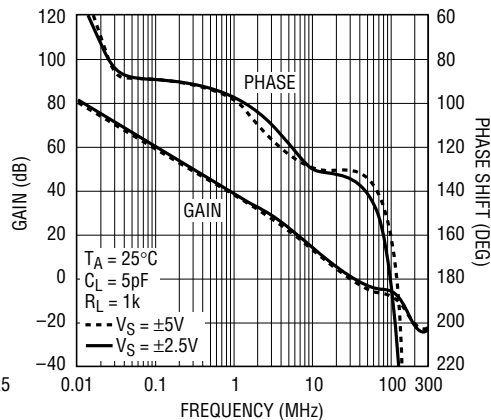
180345 G22

Slew Rate vs Temperature



180345 G23

Gain and Phase vs Frequency



180345 G24

Gain vs Frequency (AV = 1)



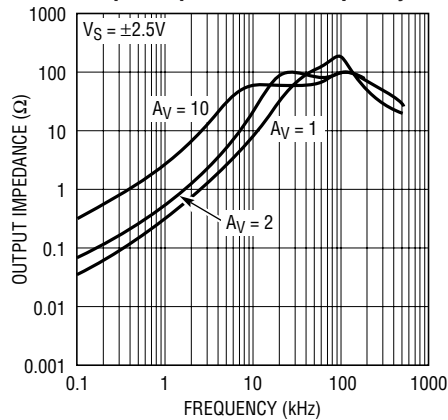
180345 G25

Gain vs Frequency (AV = 2)



180345 G26

Output Impedance vs Frequency



180345 G27

TYPICAL PERFORMANCE CHARACTERISTICS

Common Mode Rejection Ratio vs Frequency



180345 G28

Power Supply Rejection Ratio vs Frequency



180345 G29

Overshoot and Series Output Resistor vs Capacitive Load ($A_V = 1$)



180345 G30

Overshoot and Series Output Resistor vs Capacitive Load ($A_V = 2$)



180345 G31

Distortion vs Frequency ($A_V = 1$)



180345 G32

Distortion vs Frequency ($A_V = 2$)



180345 G33

Maximum Undistorted Output Signal vs Frequency



180345 G34

5V Large-Signal Response



180345 G35

5V Small-Signal Response



180345 G36

TYPICAL PERFORMANCE CHARACTERISTICS

±5V Large-Signal Response



±5V Small-Signal Response



Output Overdrive Recovery



APPLICATIONS INFORMATION

Circuit Description

The LT1803/LT1804/LT1805 have input and output signal ranges from the negative power supply to the positive power supply. Figure 1 depicts a simplified schematic of one amplifier. The input stage is comprised of two differential amplifiers, a PNP stage Q1/Q2 and an NPN stage Q3/Q4 that are active over the different ranges of the common mode input voltage. The PNP differential pair is active between the negative supply and approximately 1.3V below the positive supply. As the input voltage moves toward the positive supply, the transistor Q5 will steer the tail current I_1 to the current mirror Q6/Q7 activating the NPN differential pair. The PNP pair becomes inactive for the rest of the input common mode range up to the positive supply. Also at the input stage, devices Q18 and Q19 act to cancel the bias current of the PNP input pair. When Q1 and Q2 are active, the current in Q16 is controlled to be the same as the current in Q1 and Q2; therefore, the base current of Q16 is nominally equal to the base current of the input devices. The base current of Q16 is then mirrored by devices Q17 through Q19 to cancel the base current of the input devices Q1 and Q2.

A pair of complementary common emitter stages Q14/Q15 that enable the output to swing from rail-to-rail constructs the output stage. The capacitors C1 and C2 form the local feedback loops that lower the output impedance at high frequency. The LT1803/LT1804/LT1805 are fabricated on Linear Technology's proprietary high speed complementary bipolar process.

Power Dissipation

There is a need to ensure that the die's junction temperature does not exceed 150°C. Junction temperature T_J is calculated from the ambient temperature T_A , power dissipation P_D and thermal resistance θ_{JA} :

$$T_J = T_A + (P_D \cdot \theta_{JA})$$

The power dissipated in the IC is a function of the supply voltage, amplifier current, output voltage and output current. For a given supply voltage, the worst-case power dissipation, $P_{D\text{MAX}}$, occurs when the output current and voltage drop in the amplifier product is maximized. For example, if the amplifier is sourcing a constant current then the $P_{D\text{MAX}}$ occurs when the output voltage is at about V_S^- . On the other hand, for a given load resistance to ground, the $P_{D\text{MAX}}$ will occur when the output voltage is at half of either supply voltage. $P_{D\text{MAX}}$ for a given resistance to ground is given by:

$$P_{D\text{MAX}} = (V_S^+ - V_S^-) I_{S\text{MAX}} + (V_S/2)^2/R_L$$

Example: An LT1804 in an SO-8 package operating on $\pm 5V$ supplies and driving a 100 Ω load to ground, the $P_{D\text{MAX}}$ per amplifier is given by:

$$P_{D\text{MAX}} = (10 \cdot 3.25\text{mA}) + (2.5)^2/100 = 0.0425 + 0.0625 = 0.095\text{W}$$

$I_{S\text{MAX}}$ is approximated for a typical part from the Supply Current vs Supply Voltage graph.

APPLICATIONS INFORMATION

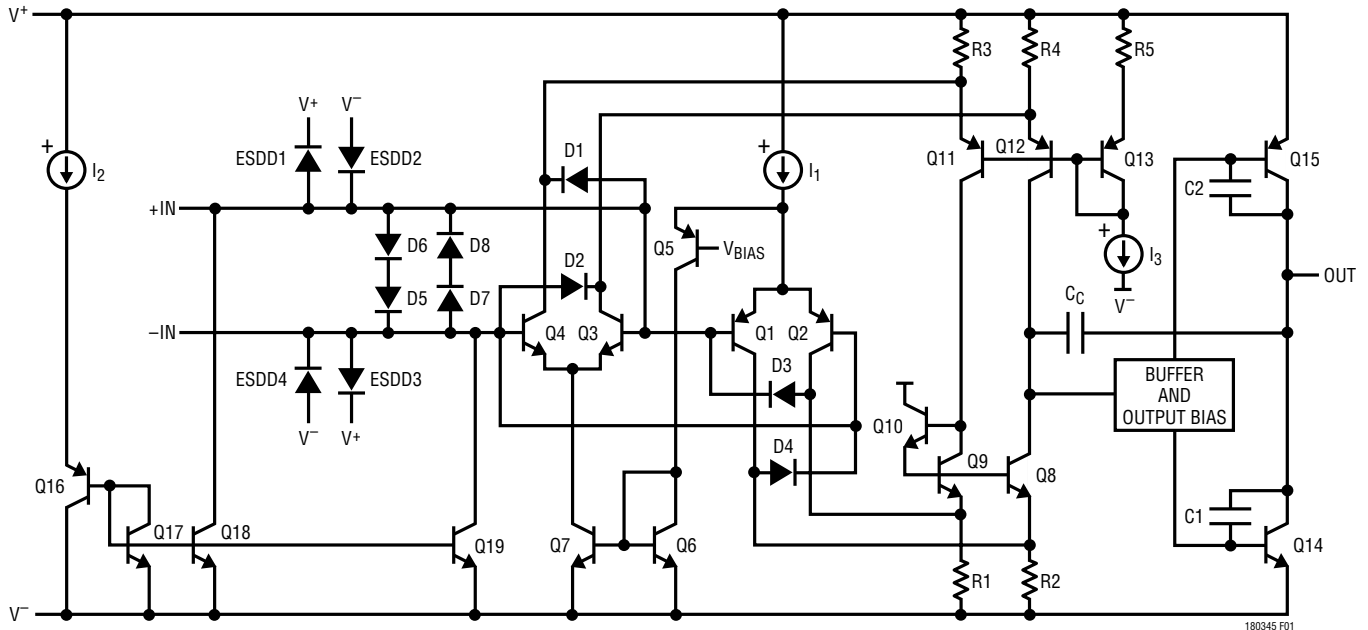


Figure 1. LT1803/LT1804/LT1805 Simplified Schematic Diagram

If both amplifiers are loaded simultaneously, then the total power dissipation is 0.19W.

The maximum ambient temperature that the part is allowed to operate is:

$$T_A = T_J - (P_{DMAX} \cdot 190^\circ\text{C/W})$$

$$= 150^\circ\text{C} - (0.190\text{W} \cdot 190^\circ\text{C/W}) = 113.9^\circ\text{C}$$

Similar calculations can be carried out for specific packages and conditions.

Also worth noting, the DD package includes a low θ_{JA} underside metal which is internally connected to V_S^- . If the underside metal is properly soldered to a PCB, the θ_{JA} of the part will be close to 50°C/W . This θ_{JA} is significantly less than leaving the underside metal unattached and can be useful for certain applications.

Input Offset Voltage

The input offset voltage will change greatly based upon which input stage is active. The PNP input stage is active from the negative supply voltage to about 1.3V below the positive supply rail, then the NPN input stage is activated for the remaining input range up to the positive supply rail during which the PNP stage remains inactive. The offset

voltage is typically less than $1000\mu\text{V}$ in the range the PNP input stage is active.

Input Bias Current

The LT1803/LT1804/LT1805 employ a patent-pending technique to reduce the input bias current to less than $1\mu\text{A}$ for the input common mode voltage range of 0.2V above the negative supply rail to 1.75V below the positive rail. The low input offset voltage and low input bias current provide precision performance in high source impedance applications.

Output

The LT1803/LT1804/LT1805 can deliver a large output current, so the short-circuit current limit is set around 50mA to prevent damage to the device. Attention must be paid to keep the junction temperature of the IC below the absolute maximum rating of 150°C (refer to the Power Dissipation section) when the output is continuously short circuited. The output of the amplifier has reverse-biased diodes connected to each supply. If the output is forced beyond either supply, unlimited current will flow through these diodes. If the current is transient and limited to less than 100mA and the total supply voltage is less than

APPLICATIONS INFORMATION

12.6V, the absolute maximum rating, no damage will occur to the device.

Overdrive Protection

When the input voltage exceeds the power supplies, two pairs of crossing diodes D1 through D4 will prevent the output from reversing polarity. If the input voltage exceeds either power supply by 700mV, diode D1/D2 or D3/D4 will turn on to keep the output at the proper polarity. For the phase reversal protection to perform properly, the input current must be limited to less than 10mA. If the amplifier is severely overdriven, an external resistor should be used to limit the overdrive current.

The LT1803/LT1804/LT1805's input stages are also protected against a large differential input voltage of 1.4V or higher by a pair of back-to-back diodes D5 through D8 to prevent the emitter-base breakdown of the input transistors. The current in these diodes should be limited to less than 10mA when they are active. The worst-case differential input voltage usually occurs when the input is driven while the output is shorted to ground in a unity gain configuration. In addition, the amplifier is protected against ESD strikes up to 3kV on all pins by a pair of protection diodes on each pin that is connected to the power supplies as shown in Figure 1.

Capacitive Load

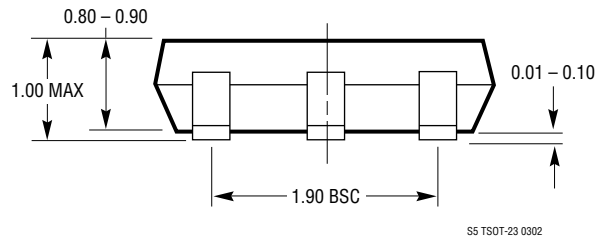
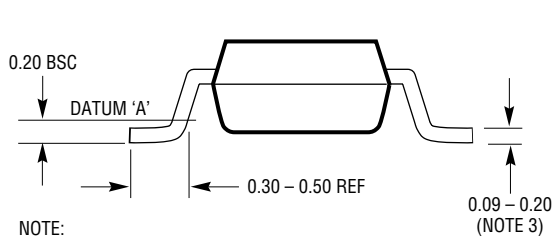
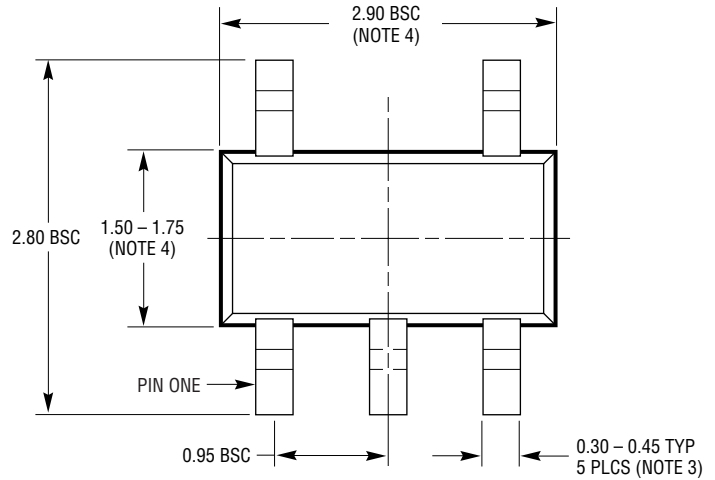
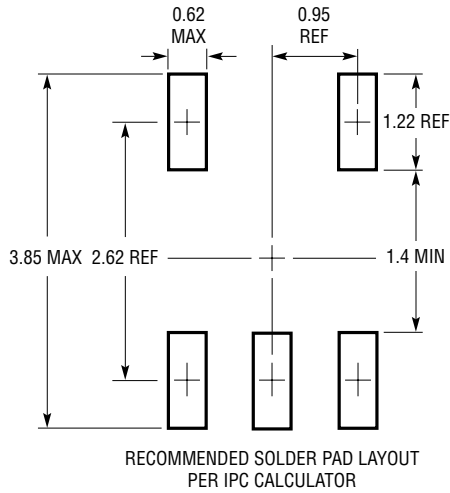
The LT1803/LT1804/LT1805 are optimized for wide bandwidth, low power and precision applications. They can drive a capacitive load of about 20pF in a unity-gain configuration, and more for higher gain. When driving a larger capacitive load, a resistor of 10 Ω to 50 Ω should be connected between the output and the capacitive load to avoid ringing or oscillation. The feedback should still be taken from the output so that the resistor will isolate the capacitive load to ensure stability. Graphs on capacitive load indicate the transient response of the amplifier when driving a capacitive load with a specified resistor.

Feedback Components

When feedback resistors are used to set up gain, care must be taken to ensure that the pole formed by the feedback resistors and the total capacitance at the inverting input does not degrade stability. For instance, the LT1803/LT1804/LT1805 in a noninverting gain of 2 setup with two 5k resistors and a capacitance of 5pF (part plus PC board) will probably oscillate. The pole formed at 12.7MHz, reduces phase margin by about 58 degrees when the crossover frequency of the amplifier is around 20MHz. A capacitor of 5pF or higher connected across the feedback resistor will eliminate any ringing or oscillation.

PACKAGE DESCRIPTION

S5 Package
5-Lead Plastic TSOT-23
 (Reference LTC DWG # 05-08-1635)

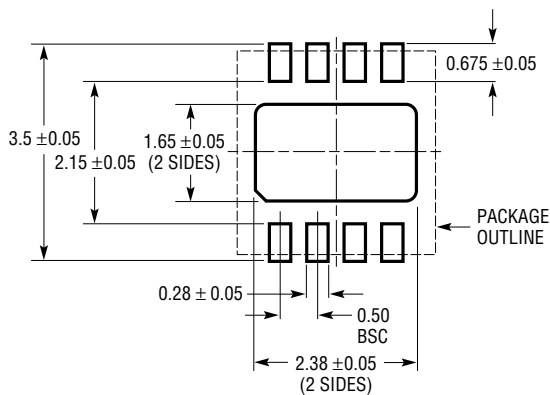


- NOTE:
1. DIMENSIONS ARE IN MILLIMETERS
 2. DRAWING NOT TO SCALE
 3. DIMENSIONS ARE INCLUSIVE OF PLATING
 4. DIMENSIONS ARE EXCLUSIVE OF MOLD FLASH AND METAL BURR
 5. MOLD FLASH SHALL NOT EXCEED 0.254mm
 6. JEDEC PACKAGE REFERENCE IS MO-193

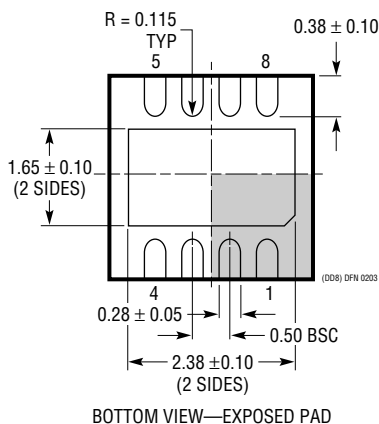
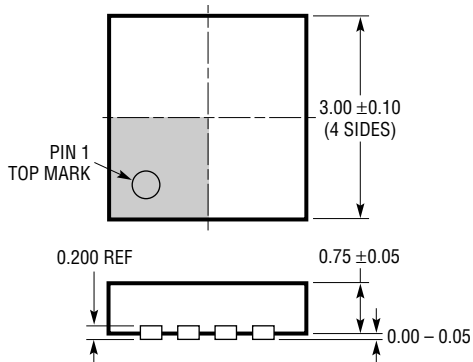
S5 TSOT-23 0302

PACKAGE DESCRIPTION

DD Package
8-Lead Plastic DFN (3mm × 3mm)
 (Reference LTC DWG # 05-08-1698)



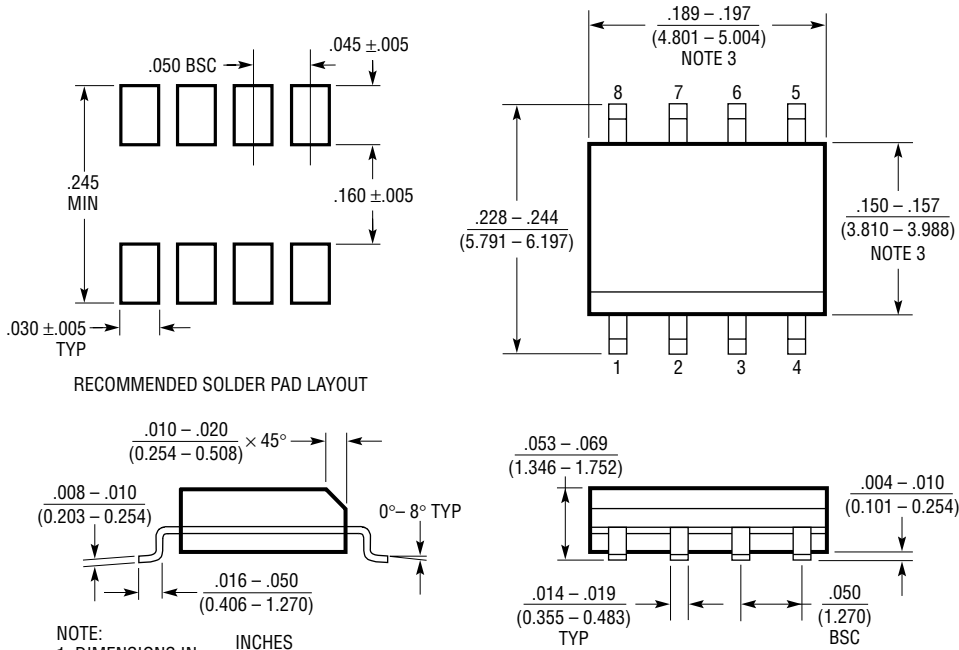
RECOMMENDED SOLDER PAD PITCH AND DIMENSIONS



- NOTE:
1. DRAWING TO BE MADE A JEDEC PACKAGE OUTLINE MO-229 VARIATION OF (WEED-1)
 2. ALL DIMENSIONS ARE IN MILLIMETERS
 3. DIMENSIONS OF EXPOSED PAD ON BOTTOM OF PACKAGE DO NOT INCLUDE MOLD FLASH. MOLD FLASH, IF PRESENT, SHALL NOT EXCEED 0.15mm ON ANY SIDE
 4. EXPOSED PAD SHALL BE SOLDER PLATED

PACKAGE DESCRIPTION

S8 Package
8-Lead Plastic Small Outline (Narrow .150 Inch)
 (Reference LTC DWG # 05-08-1610)

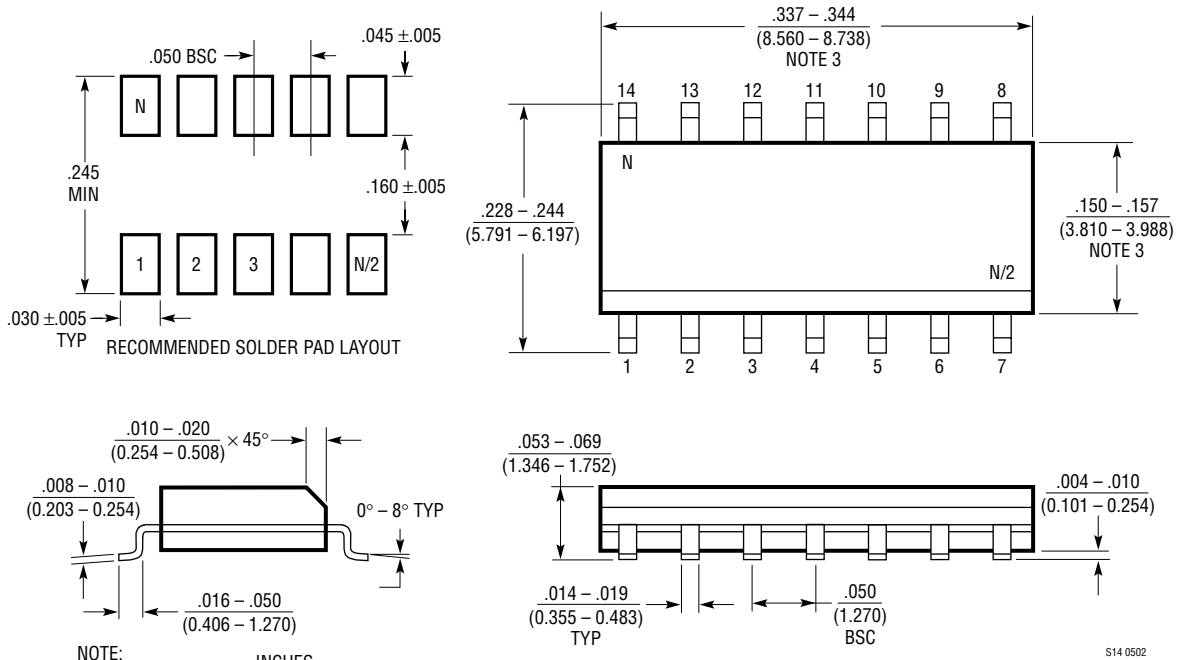


- NOTE:
 1. DIMENSIONS IN $\frac{\text{INCHES}}{\text{MILLIMETERS}}$
 2. DRAWING NOT TO SCALE
 3. THESE DIMENSIONS DO NOT INCLUDE MOLD FLASH OR PROTRUSIONS.
 MOLD FLASH OR PROTRUSIONS SHALL NOT EXCEED $.006''$ (0.15mm)

S08 0303

PACKAGE DESCRIPTION

S Package
14-Lead Plastic Small Outline (Narrow .150 Inch)
 (Reference LTC DWG # 05-08-1610)

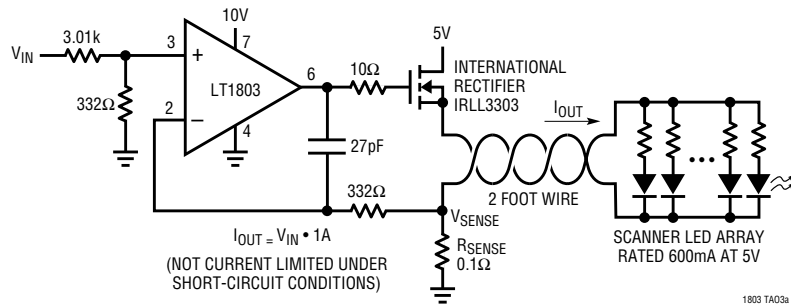


- NOTE:
 1. DIMENSIONS IN $\frac{\text{INCHES}}{\text{MILLIMETERS}}$
 2. DRAWING NOT TO SCALE
 3. THESE DIMENSIONS DO NOT INCLUDE MOLD FLASH OR PROTRUSIONS.
 MOLD FLASH OR PROTRUSIONS SHALL NOT EXCEED $.006''$ (0.15mm)

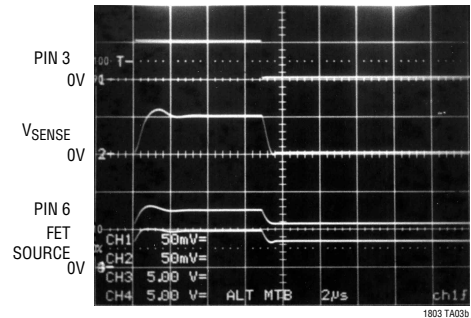
S14 0502

TYPICAL APPLICATION

LED Array Driver



500mA Pulse Response of LED Array Driver



RELATED PARTS

| PART NUMBER | DESCRIPTION | COMMENTS |
|-------------------------|--|--|
| LT1399 | Triple 300MHz Current Feedback Amplifier | 0.1dB Gain Flatness to 150MHz, Shutdown |
| LT1498/LT1499 | Dual/Quad 10MHz, 6V μ s Rail-to-Rail Input and Output C-Load™ Op Amps | High DC Accuracy, 475 μ V $V_{OS(MAX)}$, 4 μ V/°C Max Drift, Max Supply Current 2.2mA per Amp |
| LT1630/LT1631 | Dual/Quad 30MHz, 10V/ μ s Rail-to-Rail Input and Output Op Amps | High DC Accuracy, 525 μ V $V_{OS(MAX)}$, 70mA Output Current, Max Supply Current 4.4mA per Amplifier |
| LT1800/LT1801 LT1802 | Single/Dual/Quad 80MHz, 25V/ μ s Low Power Rail-to-Rail Input/Output Precision Op Amps | High DC Accuracy, 350 μ V $V_{OS(MAX)}$, Max Supply Current 2mA per Amplifier |
| LT1806/LT1807 | Single/Dual 325MHz, 140V/ μ s Rail-to-Rail Input/Output Amps | High DC Accuracy, 550 μ V $V_{OS(MAX)}$, Low Noise 3.5nV/ \sqrt{Hz} , Low Distortion -80dB at 5MHz, Power-Down (LT1806) |
| LT1809/LT1810 | Single/Dual 180MHz Rail-to-Rail Input/Output Op Amps | 350V/ μ s Slew Rate, Low Distortion -90dB at 5MHz, Power-Down (LT1809) |
| LT6200/LT6201 | Single/Dual Ultralow Noise Rail-to-Rail Amplifier | 0.95nV/Hz, 165MHz Gain Bandwidth, 44V/ μ s |
| LT6200-5 | Single Ultralow Noise Rail-to-Rail Amplifier | 0.95nV/Hz, 800MHz Gain Bandwidth, 210V/ μ s, $A_V \geq 5$ |
| LT6200-10 | Single Ultralow Noise Rail-to-Rail Amplifier | 0.95nV/Hz, 1.6GHz Gain Bandwidth, 340V/ μ s, $A_V \geq 10$ |
| LT6202/LT6203 LT6204 | Single/Dual/Quad 90MHz, 24V/ μ s Rail-to-Rail Input/Output, Ultralow 1.9nV/ \sqrt{Hz} Noise, Low Power Op Amps | High DC Accuracy, 500 μ V $V_{OS(MAX)}$, Max Supply Current 3mA per Amplifier |

C-Load is a trademark of Linear Technology Corporation.



Компания «ЭлектроПласт» предлагает заключение долгосрочных отношений при поставках импортных электронных компонентов на взаимовыгодных условиях!

Наши преимущества:

- Оперативные поставки широкого спектра электронных компонентов отечественного и импортного производства напрямую от производителей и с крупнейших мировых складов;
- Поставка более 17-ти миллионов наименований электронных компонентов;
- Поставка сложных, дефицитных, либо снятых с производства позиций;
- Оперативные сроки поставки под заказ (от 5 рабочих дней);
- Экспресс доставка в любую точку России;
- Техническая поддержка проекта, помощь в подборе аналогов, поставка прототипов;
- Система менеджмента качества сертифицирована по Международному стандарту ISO 9001;
- Лицензия ФСБ на осуществление работ с использованием сведений, составляющих государственную тайну;
- Поставка специализированных компонентов (Xilinx, Altera, Analog Devices, Intersil, Interpoint, Microsemi, Aeroflex, Peregrine, Syfer, Eurofarad, Texas Instrument, Miteq, Cobham, E2V, MA-COM, Hittite, Mini-Circuits, General Dynamics и др.);

Помимо этого, одним из направлений компании «ЭлектроПласт» является направление «Источники питания». Мы предлагаем Вам помощь Конструкторского отдела:

- Подбор оптимального решения, техническое обоснование при выборе компонента;
- Подбор аналогов;
- Консультации по применению компонента;
- Поставка образцов и прототипов;
- Техническая поддержка проекта;
- Защита от снятия компонента с производства.



Как с нами связаться

Телефон: 8 (812) 309 58 32 (многоканальный)

Факс: 8 (812) 320-02-42

Электронная почта: org@eplast1.ru

Адрес: 198099, г. Санкт-Петербург, ул. Калинина, дом 2, корпус 4, литера А.