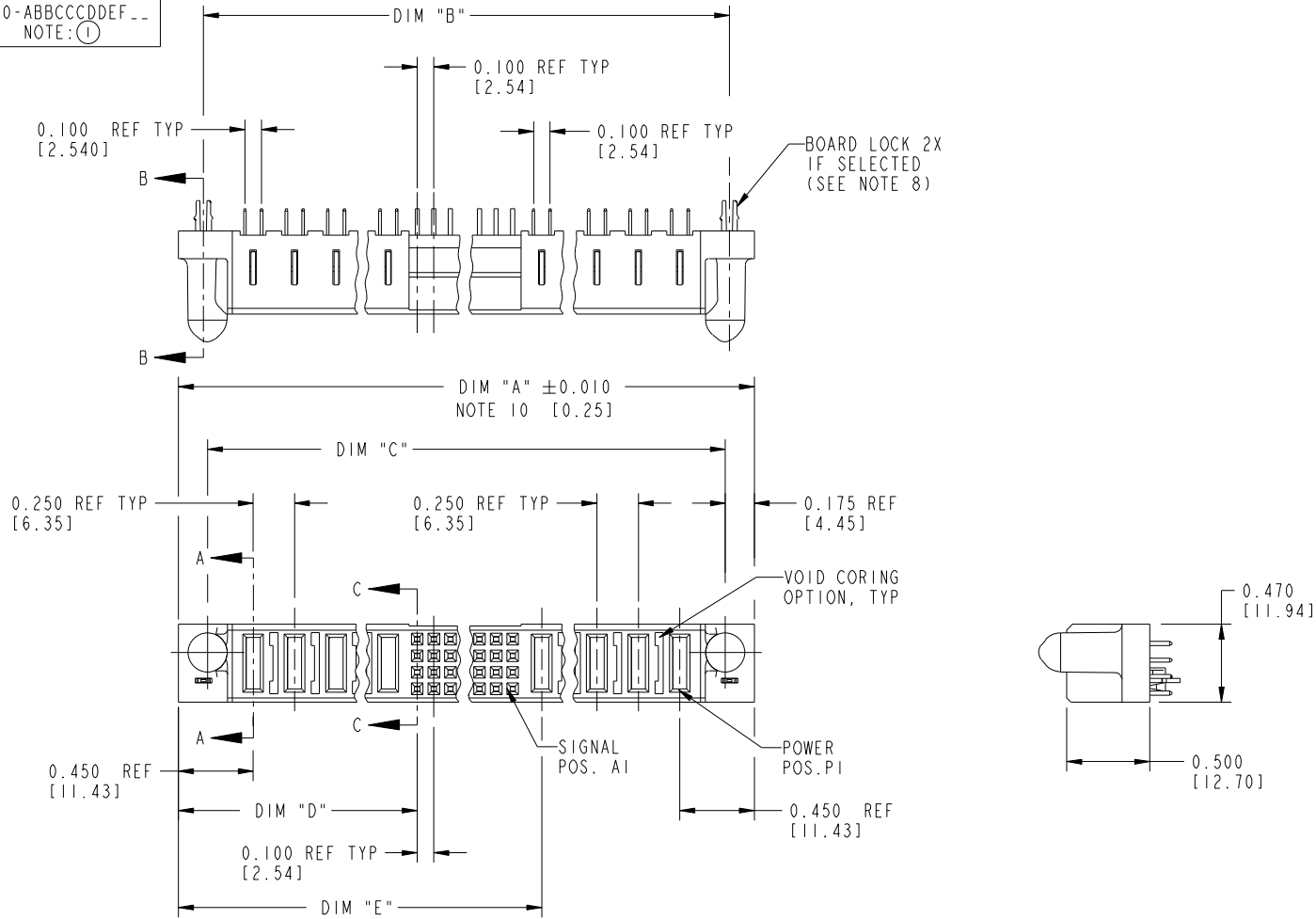


Tous droits strictement réservés. Reproduction ou communication à des tiers interdite sous quelque forme que ce soit sans autorisation écrite du propriétaire. Propriété de c.FCI. Droits de reproduction FCI.



All rights strictly reserved. Reproduction or issue to third parties in any form whatever is not permitted without written authority from the proprietor. Property of FCI. Copyright FCI.

PRODUCT NUMBER  
51740-ABBCCDDEF...  
NOTE: ①



|             |           |                |          |                   |                     |                                       |  |                |  |   |  |  |
|-------------|-----------|----------------|----------|-------------------|---------------------|---------------------------------------|--|----------------|--|---|--|--|
| mat'l code  |           |                |          | SEE NOTE 2        |                     | tolerances unless otherwise specified |  | CUSTOMER       |  | FCI   |  |  |
| ltr         | ecn no.   | dr             | date     | linear            | .XX±.01/0.X±0.3     | projection                            |  | COPY           |  | www.fciconnect.com  |  |  |
| K           | DG05-0132 | SJ             | 06/06/05 |                   | .XXX±.005/0.XX±0.13 | INCH/MM                               |  | title          |  | VERTICAL RECEPTACLE w/GUIDE PIN<br>POWER / SIGNAL / POWER |  |  |
| L           | DG05-0153 | SJ             | 06/10/05 | angles            | .XXX±.0020/.XX±.051 | scale                                 |  | product family |  | PwrBlade code   |  |  |
| M           | DG05-0485 | GUOJM          | 11/21/05 |                   | 0°±2°               | 1:1                                   |  | size           |  | 213   |  |  |
| N           | DG06-0362 | JULIA          | 08/30/06 | dr                | D. EATON 05-25-99   | A                                     |  | dwg no         |  | 51740   |  |  |
| P           | DG08-0239 | JC             | 09/11/08 | enr               | RYAN YUAN 11/08/06  |                                       |  | sheet          |  | 1 of 3  |  |  |
| R           | DG10-0318 | AL             | 09/03/10 | chr               | J. BROWN 05-24-99   |                                       |  | cage code      |  | 22526   |  |  |
|             |           | appd           |          | J. BROWN 05-24-99 |                     |                                       |  |                |  |   |  |  |
| sheet index |           | revision sheet |          | R                 | R                   | R                                     |  |                |  |   |  |  |
|             |           |                |          | 1                 | 2                   | 3                                     |  |                |  |   |  |  |

Pro/E

cage code 22526

Tous droits strictement réservés. Reproduction ou communication à des tiers interdite sous quelque forme que ce soit sans autorisation écrite du propriétaire. Propriété de c FCI. Droits de reproduction FCI.



All rights strictly reserved. Reproduction or issue to third parties in any form whatever is not permitted without written authority from the proprietor. Property of FCI. Copyright FCI.

|   |
|---|
| PRODUCT NUMBER<br>51740-ABBCCDDDEF..<br>NOTE: ① |
|---|

| DIM     | LENGTH FORMULAS (SEE NOTE 10)  |
|---------|--|
| DIM "A" | .250 [6.35] x DD + .100 [2.54] x (CCC/4) + .250 [6.35] x BB + .650 [16.51] (NOTE 10) |
| DIM "B" | .250 [6.35] x DD + .100 [2.54] x (CCC/4) + .250 [6.35] x BB + .350 [8.89]            |
| DIM "C" | .250 [6.35] x DD + .100 [2.54] x (CCC/4) + .250 [6.35] x BB + .300 [7.62]            |
| DIM "D" | .250 [6.35] x DD + .375 [9.53]   |
| DIM "E" | .250 [6.35] x DD + .100 [2.54] x (CCC/4) + .450 [11.43]                              |
| DIM "F" | .250 [6.35] x DD + .100 [2.54] x (CCC/4) + .250 [6.35] x BB + .680 [17.27]           |
| DIM "G" | .250 [6.35] x DD + .225 [5.72]   |
| DIM "H" | .250 [6.35] x DD + .100 [2.54] x (CCC/4) + .250 [6.35]                               |

CONNECTOR NOTES

- PRODUCT NUMBER CODE:  
51740 - A BB CCC DD E F LF

NO THIS SUFFIX: 100u"/2.54um SnPb ON PCB INTERFACE  
ADD THIS SUFFIX: 78u"/2.00um Sn ON PCB INTERFACE  
RETENTION TO PCB (NOTE 8)  
TAIL OPTIONS (NOTE 7)  
NUMBER OF LEFT END POWER CONTACTS (NOTE 6)  
NUMBER OF SIGNAL CONTACTS (NOTE 5)  
NUMBER OF RIGHT POWER CONTACTS (NOTE 4)  
PLATING (NOTE 3)  
BASE NUMBER
  - HOUSING MATERIAL: GLASS FILLED V-O HIGH TEMP THERMO PLASTIC.  
SIGNAL CONTACT MATERIAL: COPPER ALLOY  
POWER CONTACT MATERIAL: COPPER ALLOY
  - PLATING OPTION:  
I = SEE PRINT 10064183 FOR PLATING SPEC OF 51740-IBBCCDDDEF; 51740-IBBCCDDDEF LF
  - RIGHT END POWER CONTACT, 01 TO 20 AVAILABLE.  
MAXIMUM OF 20 POWER CONTACTS PER CONNECTOR.
  - SIGNAL CONTACTS, 004 TO 148 AVAILABLE.
  - LEFT END POWER CONTACTS, 01 TO 20 AVAILABLE.  
MAXIMUM OF 20 POWER CONTACTS PER CONNECTOR.
  - TAIL OPTIONS:  
A = .135 ± 0.010 [3.43 ± 0.25] SOLDER TO BOARD  
C = .135 ± 0.010 [3.43 ± 0.25] PRESS FIT
  - RETENTION TO PCB OPTIONS:  
A = BOARD LOCK (REQUIRES .098 + .002, -.001 [2.49 + 0.05, -0.03] THRU HOLE IN PCB) RECOMMENDED ON SYMMETRIC CONNECTORS. BOARD LOCK TO BE USED IN CONJUNCTION WITH AN .092 PCB OR THICKER.  
C = NO RETENTION FEATURE.
  - MANUFACTURE'S NAME, P/N, AND DATE CODE TO APPEAR ON THIS SURFACE.
  - THE MAXIMUM OVERALL LENGTH (DIM A) OF A PART IS 8.00 [203.2].
  - PRODUCT SPECIFICATION GS-12-149.
  - REFERENCE 51698 FOR SPECIALS WORKSHEET.
- PCB NOTES:
- ALL DIMENSIONS ARE BASIC UNLESS OTHERWISE SPECIFIED.
  - ALL THROUGH HOLES ARE LOCATED WITH A TRUE POSITION OF .004 [0.01]
  - ALL HOLE DIAMETERS ARE FINISHED HOLE SIZE.
  - 0.0453 ± .001 [1.151 ± .02] DRILLED HOLES PLATED WITH 0.0003 [0.007] MIN SnPb OVER 0.001 [1.03] TO .003 [0.08] PLATING TO ACHIEVE A .040 ± .003 [1.02 ± .08] HOLE.
  - A  $\Delta$  SYMBOL WILL BE NEXT TO ANY DIMENSION, VIEW, OR NOTE WHICH HAS BEEN MODIFIED WITH THE CURRENT DRAWING REVISION.

|             |                |            |      |                                       |                            |            |      |   |  |                    |       |
|-------------|----------------|------------|------|---------------------------------------|----------------------------|------------|------|---|--|--------------------|-------|
| mat'l code  |                | SEE NOTE 2 |      | tolerances unless otherwise specified |                            | CUSTOMER   |      | FCI   |  | www.fciconnect.com |       |
| ltr         | ecn no.        | dr         | date | linear                                | .XX ± .01 / 0.XX ± 0.3     | projection | COPY | title   |  |                    |       |
| R           |                |            |      |                                       | .XXX ± .005 / 0.XX ± 0.13  |            |      | VERTICAL RECEPTACLE w/GUIDE PIN<br>POWER / SIGNAL / POWER |  |                    |       |
|             |                |            |      | angles                                | .XXX ± .0020 / .XXX ± .051 |            |      | product family  |  | PwrBlade           | code  |
|             |                |            |      | dr                                    | 0° ± 2°                    |            |      | size  |  |                    | 213   |
|             |                |            |      | enr                                   | D. EATON 05-25-99          | INCH/MM    |      | dwg no  |  |                    | sheet |
|             |                |            |      | chr                                   | RYAN YUAN 11/08/06         | scale      |      | 51740   |  | 2 of 3             |       |
|             |                |            |      | appd                                  | J. BROWN 05-24-99          | 1:1        | A    |   |  |                    |       |
| sheet index | revision sheet |            |      |                                       |                            |            |      |   |  |                    |       |

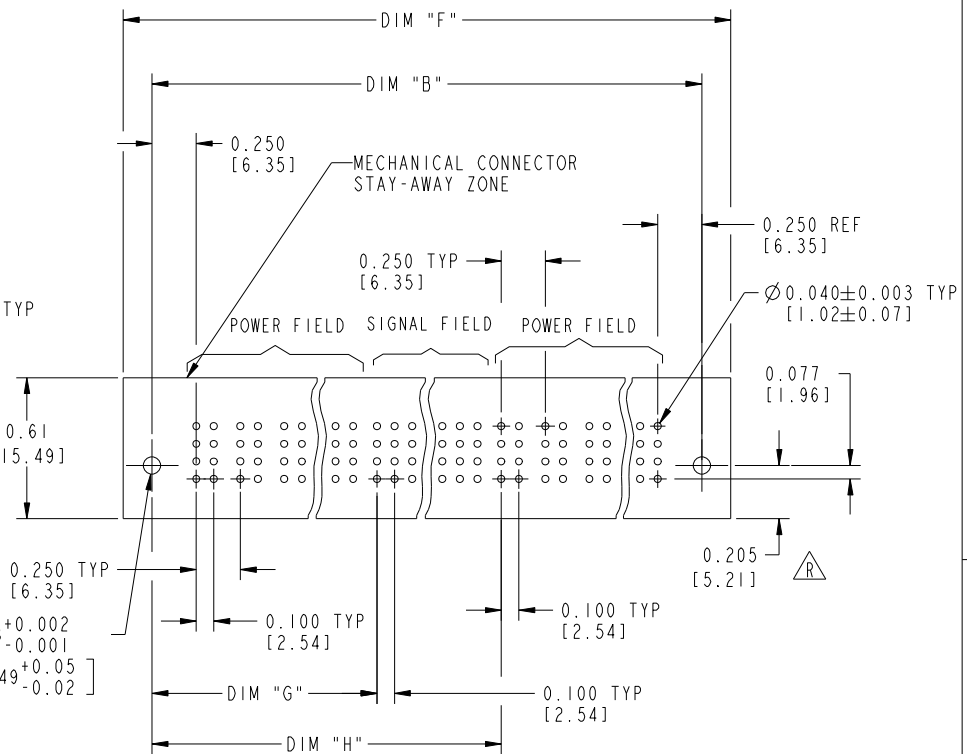
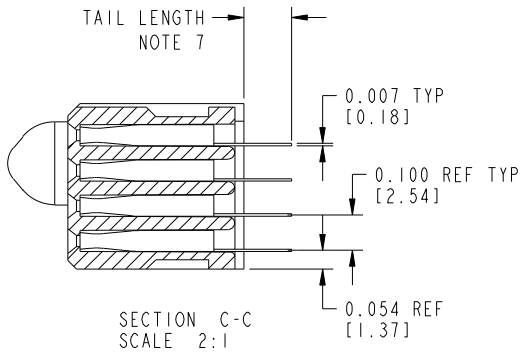
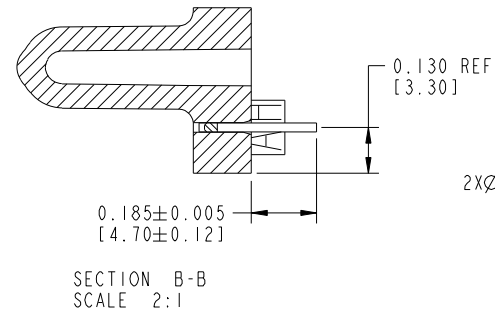
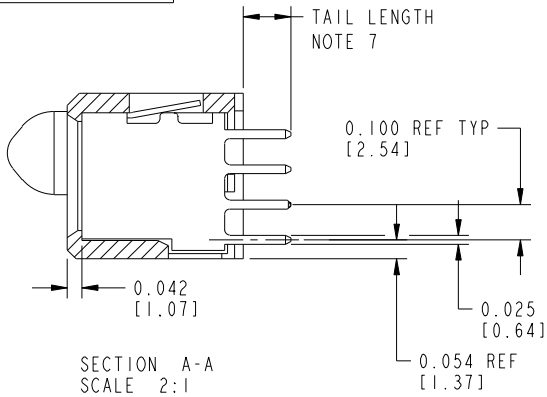
Pro/E 3 cage code 22526 4

Tous droits strictement réservés. Reproduction ou communication à des tiers interdite sous quelque forme que ce soit sans autorisation écrite du propriétaire. Propriété de c.FCI. Droits de reproduction FCI.



All rights strictly reserved. Reproduction or issue to third parties in any form whatever is not permitted without written authority from the proprietor. Property of FCI. Copyright FCI.

PRODUCT NUMBER  
51740-ABBCCDDEF..  
NOTE: ①



RECOMMENDED PCB LAYOUT

|             |         |                |      |                                       |                      |          |  |                |  |  |  |
|-------------|---------|----------------|------|---------------------------------------|----------------------|----------|--|----------------|--|--|--|
| mat'l code  |         | SEE NOTE 2     |      | tolerances unless otherwise specified |                      | CUSTOMER |  | FCI            |  | www.fciconnect.com   |  |
| ltr         | ecn no. | dr             | date | linear                                | .XX±.01/0.XX±0.3     | COPY     |  | projection     |  | title<br>VERTICAL RECEPTACLE w/GUIDE PIN<br>POWER / SIGNAL / POWER |  |
| R           |         |                |      | angles                                | .XXX±.005/0.XX±0.13  | INCH/MM  |  |                |  |  |  |
|             |         |                |      | dr                                    | .XXX±.0020/.XXX±.051 | scale    |  | product family |  | code   |  |
|             |         |                |      | enr                                   | 0°±2°                | 1:1      |  | PwrBlade       |  | 213  |  |
|             |         |                |      | chr                                   |                      |          |  | size           |  | sheet  |  |
|             |         |                |      | appd                                  |                      |          |  | dwg no         |  | 3 of 3   |  |
| sheet index |         | revision sheet |      |                                       |                      |          |  | 51740          |  |  |  |

cage code 22526

Pro/E



Компания «ЭлектроПласт» предлагает заключение долгосрочных отношений при поставках импортных электронных компонентов на взаимовыгодных условиях!

Наши преимущества:

- Оперативные поставки широкого спектра электронных компонентов отечественного и импортного производства напрямую от производителей и с крупнейших мировых складов;
- Поставка более 17-ти миллионов наименований электронных компонентов;
- Поставка сложных, дефицитных, либо снятых с производства позиций;
- Оперативные сроки поставки под заказ (от 5 рабочих дней);
- Экспресс доставка в любую точку России;
- Техническая поддержка проекта, помощь в подборе аналогов, поставка прототипов;
- Система менеджмента качества сертифицирована по Международному стандарту ISO 9001;
- Лицензия ФСБ на осуществление работ с использованием сведений, составляющих государственную тайну;
- Поставка специализированных компонентов (Xilinx, Altera, Analog Devices, Intersil, Interpoint, Microsemi, Aeroflex, Peregrine, Syfer, Eurofarad, Texas Instrument, Miteq, Cobham, E2V, MA-COM, Hittite, Mini-Circuits, General Dynamics и др.);

Помимо этого, одним из направлений компании «ЭлектроПласт» является направление «Источники питания». Мы предлагаем Вам помощь Конструкторского отдела:

- Подбор оптимального решения, техническое обоснование при выборе компонента;
- Подбор аналогов;
- Консультации по применению компонента;
- Поставка образцов и прототипов;
- Техническая поддержка проекта;
- Защита от снятия компонента с производства.



#### Как с нами связаться

**Телефон:** 8 (812) 309 58 32 (многоканальный)

**Факс:** 8 (812) 320-02-42

**Электронная почта:** [org@eplast1.ru](mailto:org@eplast1.ru)

**Адрес:** 198099, г. Санкт-Петербург, ул. Калинина, дом 2, корпус 4, литера А.