

FEATURES

Flexible LVDS interface allows byte or nibble load
Single-carrier W-CDMA ACLR = 80 dBc at 122.88 MHz IF
Analog output: adjustable 8.7 mA to 31.7 mA, $R_L = 25 \Omega$ to 50Ω
Integrated $2\times/4\times$ interpolator/complex modulator allows carrier placement anywhere in the DAC bandwidth
Gain, dc offset, and phase adjustment for sideband suppression
Multiple chip synchronization interfaces
High performance, low noise PLL clock multiplier
Digital inverse sinc filter
Low power: 1.2 W at 1.0 GSPS, 800 mW at 500 MSPS, full operating conditions
48-lead, exposed paddle LFCSP

APPLICATIONS

Wireless infrastructure
W-CDMA, CDMA2000, TD-SCDMA, WiMAX, GSM, LTE
Digital high or low IF synthesis
Transmit diversity
Wideband communications: LMDS/MMDS, point-to-point

GENERAL DESCRIPTION

The **AD9146** is a dual, 16-bit, high dynamic range digital-to-analog converter (DAC) that provides a sample rate of 1000 MSPS with nominal supplies and 1230 MSPS with increased supplies, permitting multicarrier generation up to the Nyquist frequency.

The AD9146 TxDAC+® includes features optimized for direct conversion transmit applications, including complex digital modulation, and gain and offset compensation. The DAC outputs are optimized to interface seamlessly with analog quadrature modulators, such as the ADL537x F-MOD series from Analog Devices, Inc. A 3-wire serial port interface provides for programming/readback of many internal parameters. Full-scale output current can be programmed over a range of 8.7 mA to 31.7 mA. The AD9146 comes in a 48-lead LFCSP.

PRODUCT HIGHLIGHTS

1. Ultralow noise and intermodulation distortion (IMD) enable high quality synthesis of wideband signals from baseband to high intermediate frequencies (IF).
2. Proprietary DAC output switching technique enhances dynamic performance.
3. Current outputs are easily configured for various single-ended or differential circuit topologies.
4. Compact LVDS digital interface offers reduced width data bus.

COMPANION PRODUCTS

IQ Modulators: [ADL5370](#), [ADL537x](#) family

IQ Modulators with PLL and VCO: [ADRF6701](#), [ADRF670x](#) family

Clock Drivers: [AD9516](#), [AD951x](#) family

Voltage Regulator Design Tool: [ADIsimPower](#)

Additional companion products on the [AD9146 product page](#)

TYPICAL SIGNAL CHAIN

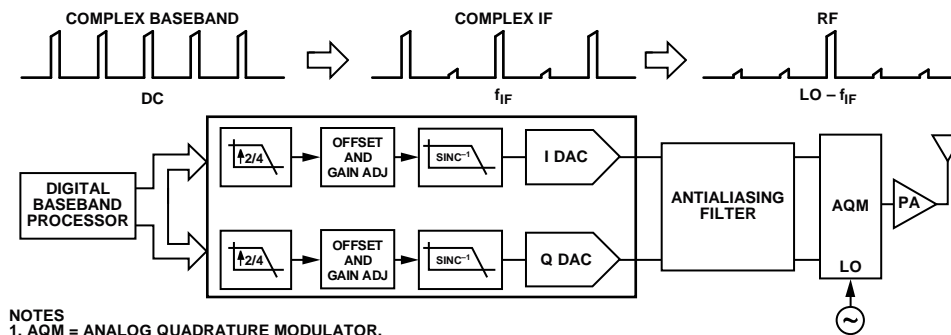


Figure 1.

Rev. A

Information furnished by Analog Devices is believed to be accurate and reliable. However, no responsibility is assumed by Analog Devices for its use, nor for any infringements of patents or other rights of third parties that may result from its use. Specifications subject to change without notice. No license is granted by implication or otherwise under any patent or patent rights of Analog Devices. Trademarks and registered trademarks are the property of their respective owners.

TABLE OF CONTENTS

| | | | |
|--|----|--|----|
| Features | 1 | DC Offset Correction | 35 |
| Applications | 1 | Inverse Sinc Filter | 36 |
| General Description | 1 | DAC Input Clock Configurations | 37 |
| Product Highlights | 1 | Driving the DACCLK and REFCLK Inputs | 37 |
| Companion Products | 1 | Direct Clocking | 37 |
| Typical Signal Chain | 1 | Clock Multiplication | 37 |
| Revision History | 3 | PLL Settings | 38 |
| Functional Block Diagram | 4 | Configuring the VCO Tuning Band | 38 |
| Specifications | 5 | Analog Outputs | 39 |
| DC Specifications | 5 | Transmit DAC Operation | 39 |
| Digital Specifications | 6 | Auxiliary DAC Operation | 40 |
| Digital Input Data Timing Specifications | 6 | Interfacing to Modulators | 41 |
| AC Specifications | 7 | Baseband Filter Implementation | 41 |
| Absolute Maximum Ratings | 8 | Driving the ADL5375-15 | 41 |
| Thermal Resistance | 8 | Reducing LO Leakage and Unwanted Sidebands | 42 |
| ESD Caution | 8 | Device Power Management | 43 |
| Pin Configuration and Function Descriptions | 9 | Power Dissipation | 43 |
| Typical Performance Characteristics | 11 | Tx Enable | 43 |
| Terminology | 15 | Temperature Sensor | 44 |
| Theory of Operation | 16 | Multichip Synchronization | 45 |
| Serial Port Operation | 16 | Synchronization with Clock Multiplication | 45 |
| Data Format | 16 | Synchronization with Direct Clocking | 46 |
| Serial Port Pin Descriptions | 16 | Data Rate Mode Synchronization | 46 |
| Serial Port Options | 17 | FIFO Rate Mode Synchronization | 47 |
| Device Configuration Register Map and Descriptions | 18 | Additional Synchronization Features | 48 |
| LVDS Input Data Ports | 28 | Interrupt Request Operation | 49 |
| Byte Interface Mode | 28 | Interrupt Service Routine | 49 |
| Nibble Interface Mode | 28 | Interface Timing Validation | 50 |
| FIFO Operation | 28 | SED Operation | 50 |
| Interface Timing | 31 | SED Example | 51 |
| Digital Datapath | 32 | Example Start-Up Routine | 52 |
| Premodulation | 32 | Device Configuration | 52 |
| Interpolation Filters | 32 | Derived PLL Settings | 52 |
| Datapath Configuration | 34 | Start-Up Sequence | 52 |
| Determining Interpolation Filter Modes | 34 | Outline Dimensions | 53 |
| Coarse Modulation Mixing Sequences | 35 | Ordering Guide | 53 |
| Quadrature Phase Correction | 35 | | |

REVISION HISTORY

1/12—Rev. 0 to Rev. A

Change to General Description Section..... 1
Change to DCI Delay[1:0], Table 1123
Changes to Interface Timing Section, Figure 37, and
Figure 3831
Changes to SED Operation Section and Table 26.....50

4/11—Revision 0: Initial Version

FUNCTIONAL BLOCK DIAGRAM

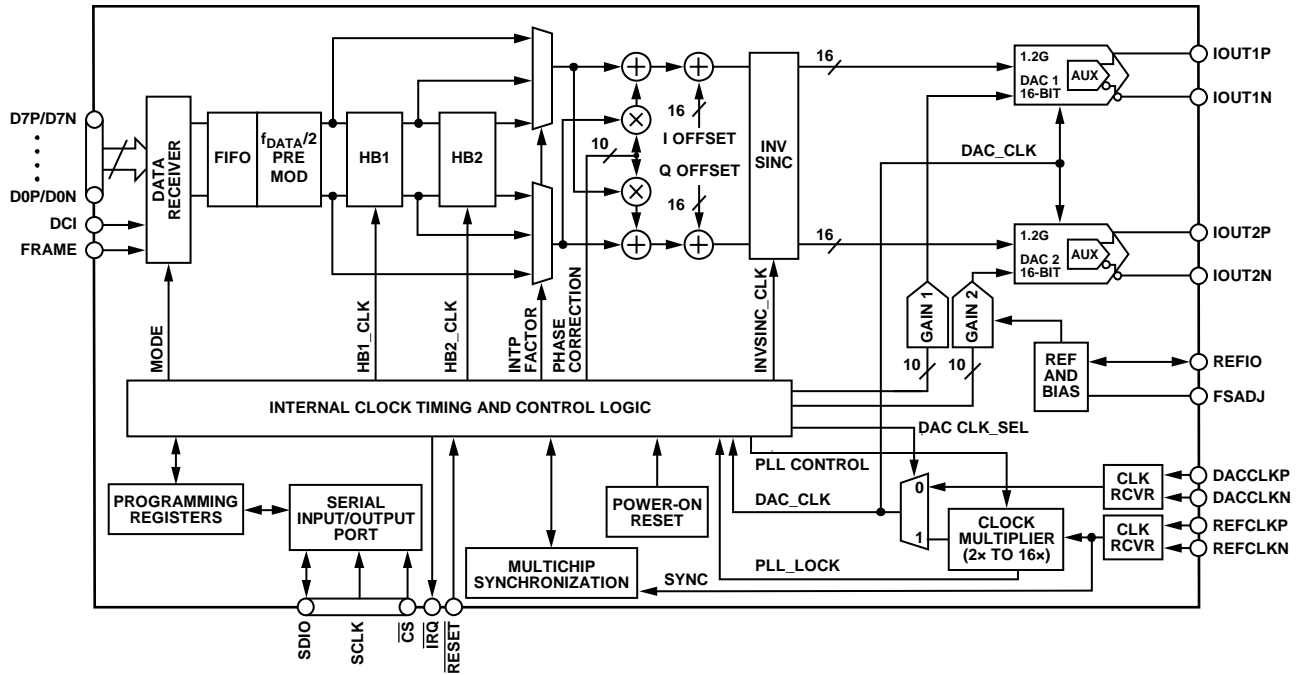


Figure 2.

09891-002

SPECIFICATIONS

DC SPECIFICATIONS

T_{MIN} to T_{MAX} , AVDD33 = 3.3 V, DVDD18 = 1.8 V, CVDD18 = 1.8 V, I_{FS} = 20 mA, maximum sample rate, unless otherwise noted.

Table 1.

| Parameter | Min | Typ | Max | Unit |
|--|--------|------------|--------|---------|
| RESOLUTION | | 16 | | Bits |
| ACCURACY | | | | |
| Differential Nonlinearity (DNL) | | ±2.1 | | LSB |
| Integral Nonlinearity (INL) | | ±3.7 | | LSB |
| MAIN DAC OUTPUTS | | | | |
| Offset Error | −0.001 | 0 | +0.001 | % FSR |
| Gain Error (with Internal Reference) | −3.6 | ±2 | +3.6 | % FSR |
| Full-Scale Output Current ¹ | 8.66 | 19.6 | 31.66 | mA |
| Power Supply Rejection Ratio, AVDD33 | −0.3 | | +0.3 | % FSR/V |
| Output Compliance Range | −1.0 | | +1.0 | V |
| Output Resistance | | 10 | | MΩ |
| Gain DAC Monotonicity | | Guaranteed | | |
| Settling Time to Within ±0.5 LSB | | 20 | | ns |
| MAIN DAC TEMPERATURE DRIFT | | | | |
| Offset | | 0.04 | | ppm/°C |
| Gain | | 100 | | ppm/°C |
| Reference Voltage | | 30 | | ppm/°C |
| REFERENCE | | | | |
| Internal Reference Voltage | | 1.2 | | V |
| Output Resistance | | 5 | | kΩ |
| ANALOG SUPPLY VOLTAGES | | | | |
| AVDD33 | 3.13 | 3.3 | 3.47 | V |
| CVDD18 | 1.71 | 1.8 | 1.89 | V |
| DIGITAL SUPPLY VOLTAGES | | | | |
| DVDD18 | 1.71 | 1.8 | 1.89 | V |
| POWER CONSUMPTION | | | | |
| 2× Mode, f_{DAC} = 500 MSPS, IF = 10 MHz | | | | |
| PLL Off | | 780 | | mW |
| PLL On | | 864 | | mW |
| AVDD33 | | | 56 | mA |
| CVDD18 | | | 58 | mA |
| DVDD18 | | | 343 | mA |
| Power-Down Mode (Register 0x01 = 0xFC) | | 8.5 | 19 | mW |
| POWER-UP TIME | | 260 | | ms |
| OPERATING RANGE | −40 | +25 | +85 | °C |

¹ Based on a 10 kΩ external resistor between FSADJ and AVSS.

DIGITAL SPECIFICATIONS

T_{MIN} to T_{MAX} , $AVDD33 = 3.3$ V, $DVDD18 = 1.8$ V, $CVDD18 = 1.8$ V, $I_{FS} = 20$ mA, maximum sample rate, unless otherwise noted.

Table 2.

| Parameter | Test Conditions/Comments | Min | Typ | Max | Unit |
|---|--|--------|------|------|----------|
| CMOS INPUT LOGIC LEVEL | | | | | |
| Input V_{IN} Logic High | | 1.2 | | | V |
| Input V_{IN} Logic Low | | | | 0.6 | V |
| CMOS OUTPUT LOGIC LEVEL | | | | | |
| Output V_{OUT} Logic High | | 1.4 | | | V |
| Output V_{OUT} Logic Low | | | | 0.4 | V |
| LVDS RECEIVER INPUTS ¹ | Applies to data, DCI, and FRAME inputs | | | | |
| Input Voltage Range, V_{IA} or V_{IB} | | 825 | | 1575 | mV |
| Input Differential Threshold, V_{IDTH} | | -100 | | +100 | mV |
| Input Differential Hysteresis, V_{IDTHH} to V_{IDTHL} | | | 20 | | mV |
| Receiver Differential Input Impedance, R_{IN} | | 80 | | 120 | Ω |
| LVDS Input Rate | See Table 5 | | | | |
| DAC CLOCK INPUT (DACCLKP, DACCLKN) | | | | | |
| Differential Peak-to-Peak Voltage | | 100 | 500 | 2000 | mV |
| Common-Mode Voltage | Self-biased input, ac-coupled | | 1.25 | | V |
| Maximum Clock Rate | | 1200 | | | MHz |
| REFCLK INPUT (REFCLKP, REFCLKN) | | | | | |
| Differential Peak-to-Peak Voltage | | 100 | 500 | 2000 | mV |
| Common-Mode Voltage | | | 1.25 | | V |
| REFCLK Frequency | | | | | |
| PLL Mode | $1 \text{ GHz} \leq f_{VCO} \leq 2.1 \text{ GHz}$ | 15.625 | | 525 | MHz |
| SYNC Mode | See the Multichip Synchronization section for conditions | 0 | | 525 | MHz |
| SERIAL PORT INTERFACE | | | | | |
| Maximum Clock Rate (SCLK) | | 40 | | | MHz |
| Minimum Pulse Width High (t_{PWH}) | | | | 12.5 | ns |
| Minimum Pulse Width Low (t_{PWL}) | | | | 12.5 | ns |
| Setup Time, SDIO to SCLK (t_{DS}) | | 2.09 | | | ns |
| Hold Time, SDIO to SCLK (t_{DH}) | | 0.844 | | | ns |
| Data Valid, SDIO to SCLK (t_{DV}) | | 2.904 | | | ns |
| Setup Time, \overline{CS} to SCLK (t_{DCSB}) | | | 2.38 | | ns |

¹ LVDS receiver is compliant with the IEEE 1596 reduced range link, unless otherwise noted.

DIGITAL INPUT DATA TIMING SPECIFICATIONS**Table 3.**

| Parameter | Value | Unit |
|---|-------|--------|
| LATENCY (DACCLK CYCLES) | | |
| 1× Interpolation (With or Without Modulation) | 64 | Cycles |
| 2× Interpolation (With or Without Modulation) | 135 | Cycles |
| 4× Interpolation (With or Without Modulation) | 292 | Cycles |
| Inverse Sinc | 20 | Cycles |

AC SPECIFICATIONS

T_{MIN} to T_{MAX} , $AVDD33 = 3.3\text{ V}$, $DVDD18 = 1.8\text{ V}$, $CVDD18 = 1.8\text{ V}$, $I_{FS} = 20\text{ mA}$, maximum sample rate, unless otherwise noted.

Table 4.

| Parameter | Min | Typ | Max | Unit |
|--|-----|------|-----|--------|
| SPURIOUS-FREE DYNAMIC RANGE (SFDR) | | | | |
| $f_{DAC} = 200\text{ MSPS}$, $f_{OUT} = 50\text{ MHz}$ | | 70 | | dBc |
| $f_{DAC} = 400\text{ MSPS}$, $f_{OUT} = 70\text{ MHz}$ | | 65 | | dBc |
| $f_{DAC} = 800\text{ MSPS}$, $f_{OUT} = 70\text{ MHz}$ | | 67 | | dBc |
| TWO-TONE INTERMODULATION DISTORTION (IMD) | | | | |
| $f_{DAC} = 600\text{ MSPS}$, $f_{OUT} = 50\text{ MHz}$ | | 85 | | dBc |
| $f_{DAC} = 600\text{ MSPS}$, $f_{OUT} = 80\text{ MHz}$ | | 82 | | dBc |
| $f_{DAC} = 800\text{ MSPS}$, $f_{OUT} = 60\text{ MHz}$ | | 83 | | dBc |
| $f_{DAC} = 800\text{ MSPS}$, $f_{OUT} = 100\text{ MHz}$ | | 81 | | dBc |
| NOISE SPECTRAL DENSITY (NSD), SINGLE-CARRIER W-CDMA | | | | |
| $f_{DAC} = 400\text{ MSPS}$, $f_{OUT} = 80\text{ MHz}$ | | -162 | | dBm/Hz |
| $f_{DAC} = 800\text{ MSPS}$, $f_{OUT} = 80\text{ MHz}$ | | -164 | | dBm/Hz |
| W-CDMA ADJACENT CHANNEL LEAKAGE RATIO (ACLR), FOUR-CARRIER | | | | |
| $f_{DAC} = 491.52\text{ MSPS}$, $f_{OUT} = 15\text{ MHz}$ | | 75 | | dBc |
| $f_{DAC} = 983.04\text{ MSPS}$, $f_{OUT} = 80\text{ MHz}$ | | 77 | | dBc |
| $f_{DAC} = 983.04\text{ MSPS}$, $f_{OUT} = 200\text{ MHz}$ | | 76 | | dBc |
| W-CDMA ADJACENT CHANNEL LEAKAGE RATIO (ACLR), SINGLE-CARRIER | | | | |
| $f_{DAC} = 983.04\text{ MSPS}$, $f_{OUT} = 80\text{ MHz}$ | | 82 | | dBc |
| $f_{DAC} = 983.04\text{ MSPS}$, $f_{OUT} = 122.88\text{ MHz}$ | | 80 | | dBc |

Table 5. Maximum Rate (MSPS) with DVDD and CVDD Supply Regulation

| Interface Mode | Interpolation Factor | $f_{INTERFACE}$ (MSPS) | | f_{HB1} (MSPS) | | f_{HB2} (MSPS) | | f_{DAC} (MSPS) | |
|-----------------|----------------------|------------------------|------------------------|------------------------|------------------------|------------------------|------------------------|------------------------|------------------------|
| | | $1.8\text{ V} \pm 5\%$ | $1.9\text{ V} \pm 5\%$ | $1.8\text{ V} \pm 5\%$ | $1.9\text{ V} \pm 5\%$ | $1.8\text{ V} \pm 5\%$ | $1.9\text{ V} \pm 5\%$ | $1.8\text{ V} \pm 5\%$ | $1.9\text{ V} \pm 5\%$ |
| Byte (8 Bits) | 1× | 1200 | 1230 | | | | | 300 | 307.5 |
| | 2× (HB1) | 1200 | 1230 | 300 | 307.5 | | | 600 | 615 |
| | 2× (HB2) | 1200 | 1230 | | | 300 | 307.5 | 600 | 615 |
| | 4× | 1200 | 1230 | 300 | 307.5 | 600 | 615 | 1200 | 1230 |
| Nibble (4 Bits) | 1× | 1200 | 1230 | | | | | 150 | 153.75 |
| | 2× (HB1) | 1200 | 1230 | 150 | 153.75 | | | 300 | 307.5 |
| | 2× (HB2) | 1200 | 1230 | | | 150 | 153.75 | 300 | 307.5 |
| | 4× | 1200 | 1230 | 150 | 153.75 | 300 | 307.5 | 600 | 615 |

ABSOLUTE MAXIMUM RATINGS

Table 6.

| Parameter | Rating |
|--|--------------------------|
| AVDD33 to AVSS, EPAD, CVSS | −0.3 V to +3.6 V |
| DVDD18, CVDD18 to AVSS, EPAD, CVSS | −0.3 V to +2.1 V |
| AVSS to EPAD, CVSS | −0.3 V to +0.3 V |
| EPAD to AVSS, CVSS | −0.3 V to +0.3 V |
| CVSS to AVSS, EPAD | −0.3 V to +0.3 V |
| FSADJ, REFIO, IOUT1P, IOUT1N, IOUT2P, IOUT2N to AVSS | −0.3 V to AVDD33 + 0.3 V |
| D[7:0]P, D[7:0]N, FRAMEP, FRAMEN, DCIP, DCIN to EPAD | −0.3 V to DVDD18 + 0.3 V |
| DACCLKP, DACCLKN, REFCLKP, REFCLKN to EPAD | −0.3 V to CVDD18 + 0.3 V |
| RESET, $\overline{\text{IRQ}}$, $\overline{\text{CS}}$, SCLK, SDIO to EPAD | −0.3 V to DVDD18 + 0.3 V |
| Junction Temperature | 125°C |
| Storage Temperature Range | −65°C to +150°C |

Stresses above those listed under Absolute Maximum Ratings may cause permanent damage to the device. This is a stress rating only; functional operation of the device at these or any other conditions above those indicated in the operational section of this specification is not implied. Exposure to absolute maximum rating conditions for extended periods may affect device reliability.

THERMAL RESISTANCE

The exposed pad (EPAD) of the 48-lead LFCSP must be soldered to the ground plane (AVSS). The EPAD provides an electrical, thermal, and mechanical connection to the board.

Typical θ_{JA} , θ_{JB} , and θ_{JC} values are specified for a 4-layer board and an 8-layer board in still air. Airflow increases heat dissipation, effectively reducing θ_{JA} and θ_{JB} .

Table 7. Thermal Resistance

| Package ¹ | PCB | θ_{JA} | θ_{JB} | θ_{JC} | Unit |
|----------------------|---------|---------------|---------------|---------------|------|
| 48-Lead LFCSP | 4-layer | 23.2 | 8.5 | 8.7 | °C/W |
| 48-Lead LFCSP | 8-layer | 16.4 | 3.9 | 7.1 | °C/W |

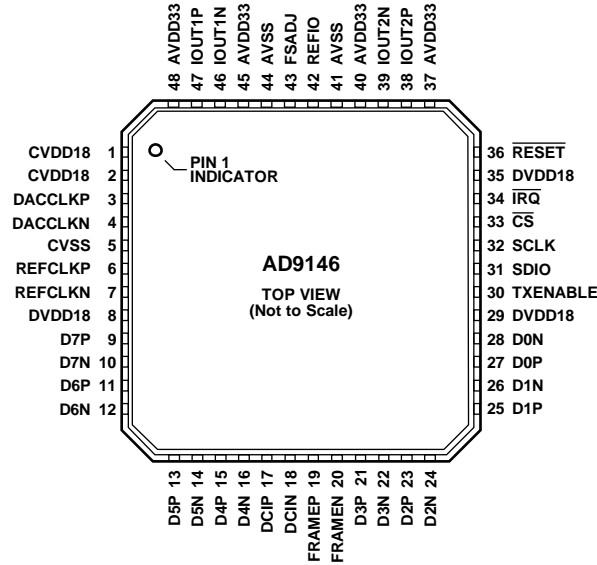
¹ EPAD soldered to ground plane.

ESD CAUTION



ESD (electrostatic discharge) sensitive device. Charged devices and circuit boards can discharge without detection. Although this product features patented or proprietary protection circuitry, damage may occur on devices subjected to high energy ESD. Therefore, proper ESD precautions should be taken to avoid performance degradation or loss of functionality.

PIN CONFIGURATION AND FUNCTION DESCRIPTIONS



NOTES
 1. THE EXPOSED PAD (EPAD) MUST BE SOLDERED TO THE GROUND PLANE (AVSS). THE EPAD PROVIDES AN ELECTRICAL, THERMAL, AND MECHANICAL CONNECTION TO THE BOARD.

09851-003

Figure 3. Pin Configuration

Table 8. Pin Function Descriptions

| Pin No. | Mnemonic | Description |
|---------|----------|--|
| 1 | CVDD18 | 1.8 V Clock Supply. Supplies clock receivers, clock distribution, and PLL circuitry. |
| 2 | CVDD18 | 1.8 V Clock Supply. Supplies clock receivers, clock distribution, and PLL circuitry. |
| 3 | DACCLKP | DAC Clock Input, Positive. |
| 4 | DACCLKN | DAC Clock Input, Negative. |
| 5 | CVSS | Clock Supply Common. |
| 6 | REFCLKP | PLL Reference Clock Input, Positive. This pin has a secondary function as a synchronization input. |
| 7 | REFCLKN | PLL Reference Clock Input, Negative. This pin has a secondary function as a synchronization input. |
| 8 | DVDD18 | 1.8 V Digital Supply. Supplies power to digital core and digital data ports. |
| 9 | D7P | Data Bit 7 (MSB), Positive. |
| 10 | D7N | Data Bit 7 (MSB), Negative. |
| 11 | D6P | Data Bit 6, Positive. |
| 12 | D6N | Data Bit 6, Negative. |
| 13 | D5P | Data Bit 5, Positive. |
| 14 | D5N | Data Bit 5, Negative. |
| 15 | D4P | Data Bit 4, Positive. |
| 16 | D4N | Data Bit 4, Negative. |
| 17 | DCIP | Data Clock Input, Positive. |
| 18 | DCIN | Data Clock Input, Negative. |
| 19 | FRAMEP | Frame Input, Positive. |
| 20 | FRAMEN | Frame Input, Negative. |
| 21 | D3P | Data Bit 3, Positive. |
| 22 | D3N | Data Bit 3, Negative. |
| 23 | D2P | Data Bit 2, Positive. |
| 24 | D2N | Data Bit 2, Negative. |
| 25 | D1P | Data Bit 1, Positive. |
| 26 | D1N | Data Bit 1, Negative. |
| 27 | D0P | Data Bit 0 (LSB), Positive. |

| Pin No. | Mnemonic | Description |
|---------|---------------------------|---|
| 28 | D0N | Data Bit 0 (LSB), Negative. |
| 29 | DVDD18 | 1.8 V Digital Supply. Supplies power to digital core and digital data ports. |
| 30 | TXENABLE | Active High Transmit Path Enable (CMOS). A low level on this pin clamps the DAC outputs to midscale. |
| 31 | SDIO | Serial Port Data Input/Output (CMOS). |
| 32 | SCLK | Serial Port Clock Input (CMOS). |
| 33 | $\overline{\text{CS}}$ | Serial Port Chip Select, Active Low (CMOS). |
| 34 | $\overline{\text{IRQ}}$ | Interrupt Request. Open-drain, active low output. Pull this pin high external to the device. |
| 35 | DVDD18 | 1.8 V Digital Supply. Supplies power to digital core and digital data ports. |
| 36 | $\overline{\text{RESET}}$ | Reset, Active Low (CMOS). |
| 37 | AVDD33 | 3.3 V Analog Supply. |
| 38 | IOOUT2P | Q DAC Positive Current Output. |
| 39 | IOOUT2N | Q DAC Negative Current Output. |
| 40 | AVDD33 | 3.3 V Analog Supply. |
| 41 | AVSS | Analog Supply Common. |
| 42 | REFIO | 1.2 V Band Gap Voltage Reference Output. Should be decoupled to AVSS with a 0.1 μF capacitor. |
| 43 | FSADJ | Full-Scale Current Output Adjust. Place a 10 k Ω resistor from this pin to AVSS. |
| 44 | AVSS | Analog Supply Common. |
| 45 | AVDD33 | 3.3 V Analog Supply. |
| 46 | IOOUT1N | I DAC Negative Current Output. |
| 47 | IOOUT1P | I DAC Positive Current Output. |
| 48 | AVDD33 | 3.3 V Analog Supply. |
| | EPAD | The exposed pad (EPAD) must be soldered to the ground plane (AVSS). The EPAD provides an electrical, thermal, and mechanical connection to the board. |

TYPICAL PERFORMANCE CHARACTERISTICS

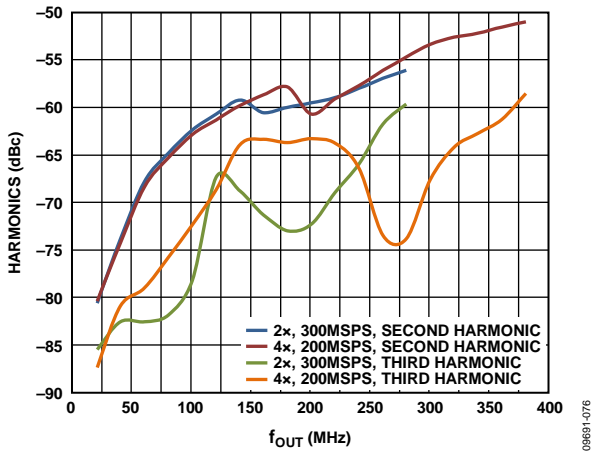


Figure 4. Harmonics vs. f_{OUT} over f_{DATA} and Interpolation, Digital Scale = 0 dBFS, $I_{FS} = 20$ mA

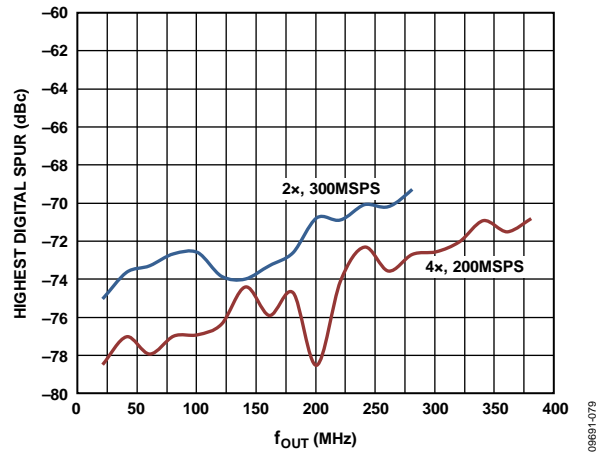


Figure 7. Highest Digital Spur vs. f_{OUT} over f_{DATA} and Interpolation, Digital Scale = 0 dBFS, $I_{FS} = 20$ mA

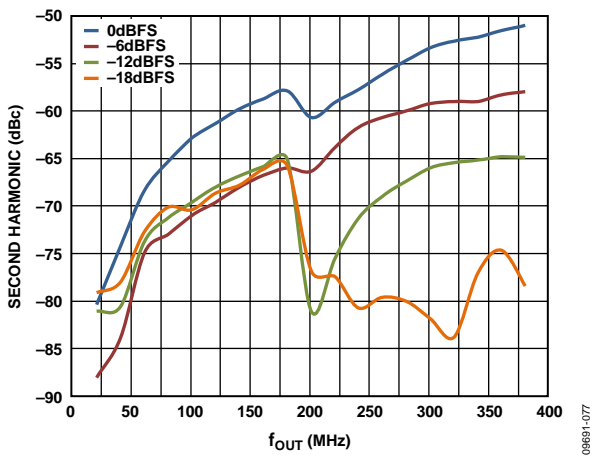


Figure 5. Second Harmonic vs. f_{OUT} over Digital Scale, 4x Interpolation, $f_{DATA} = 400$ MSPS, $I_{FS} = 20$ mA

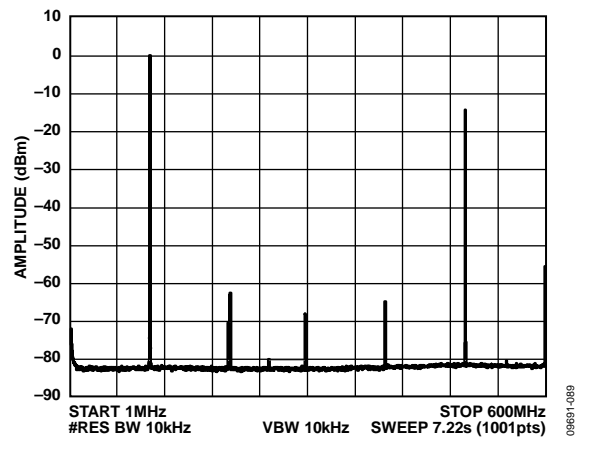


Figure 8. Single-Tone Spectrum, 2x Interpolation, $f_{DATA} = 300$ MSPS, $f_{OUT} = 101$ MHz

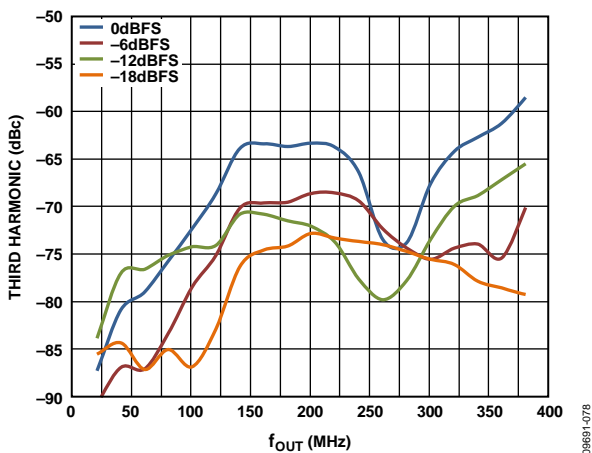


Figure 6. Third Harmonic vs. f_{OUT} over Digital Scale, 4x Interpolation, $f_{DATA} = 400$ MSPS, $I_{FS} = 20$ mA

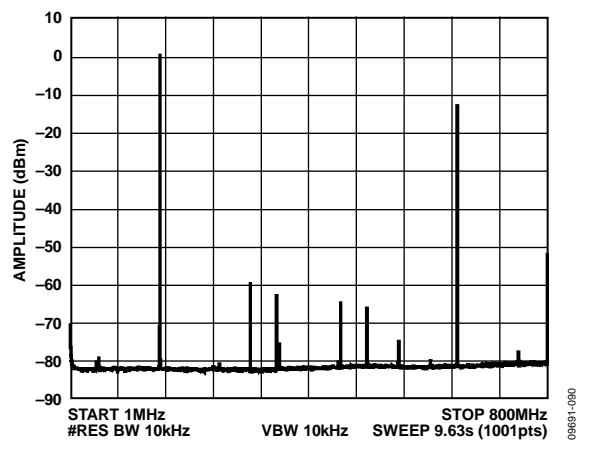


Figure 9. Single-Tone Spectrum, 4x Interpolation, $f_{DATA} = 200$ MSPS, $f_{OUT} = 151$ MHz

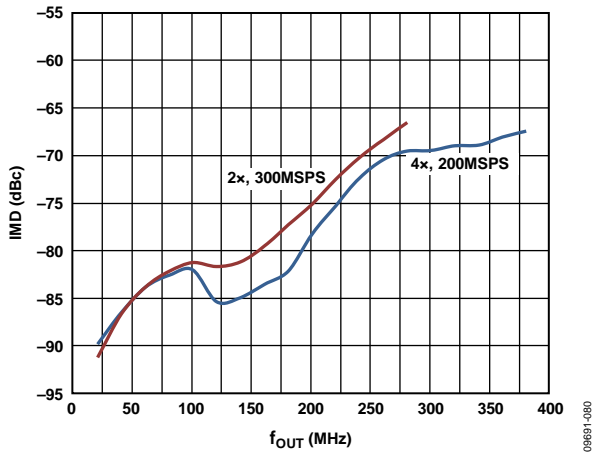


Figure 10. IMD vs. f_{OUT} over f_{DATA} and Interpolation, Digital Scale = 0 dBFS, $I_{FS} = 20$ mA

09691-080

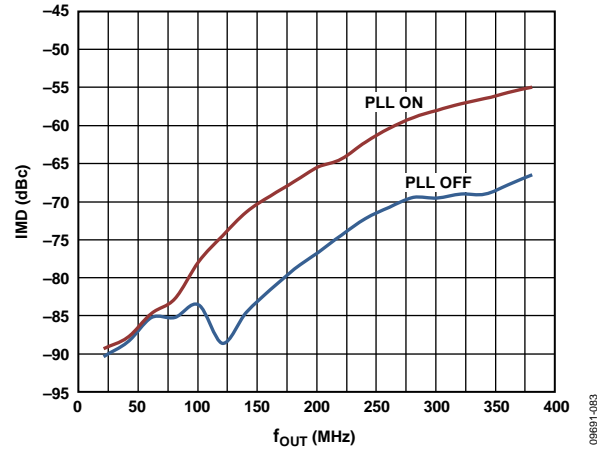


Figure 13. IMD vs. f_{OUT} , 4x Interpolation, $f_{DATA} = 200$ MSPS, Digital Scale = 0 dBFS, $I_{FS} = 20$ mA, PLL On and PLL Off

09691-083

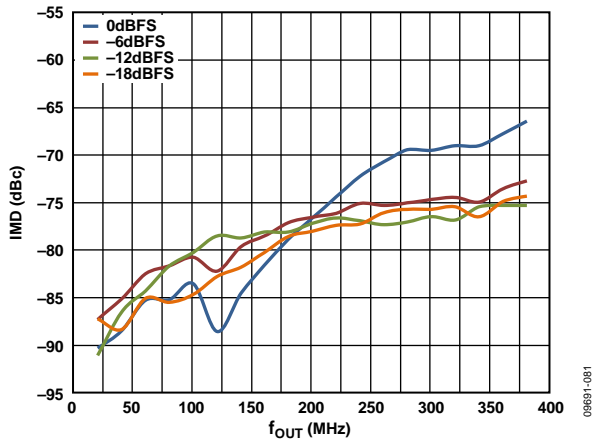


Figure 11. IMD vs. f_{OUT} over Digital Scale, 4x Interpolation, $f_{DATA} = 400$ MSPS, $I_{FS} = 20$ mA

09691-081

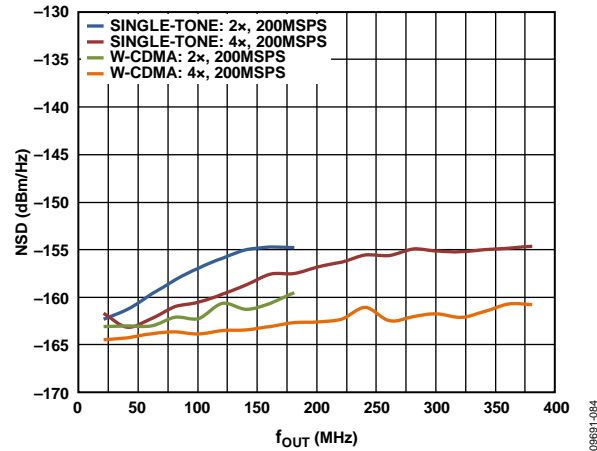


Figure 14. NSD vs. f_{OUT} over Interpolation, Single-Tone and W-CDMA Signals, $f_{DATA} = 200$ MSPS, Digital Scale = 0 dBFS, $I_{FS} = 20$ mA, PLL Off

09691-084

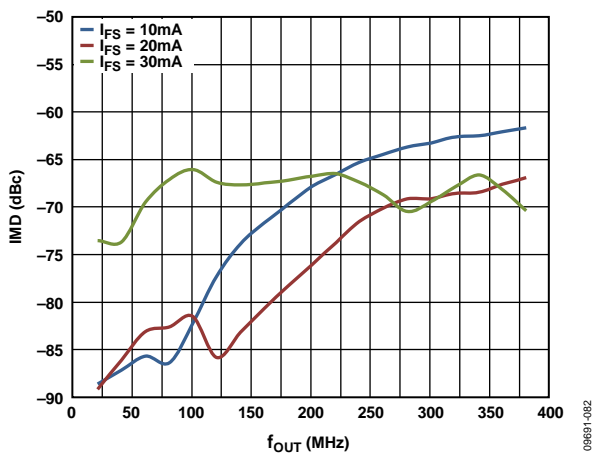


Figure 12. IMD vs. f_{OUT} over Full-Scale Current, 4x Interpolation, $f_{DATA} = 400$ MSPS, Digital Scale = 0 dBFS

09691-082

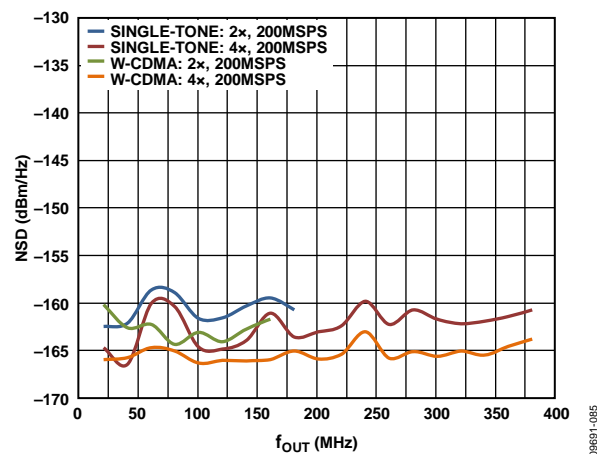


Figure 15. NSD vs. f_{OUT} over Interpolation, Single-Tone and W-CDMA Signals, $f_{DATA} = 200$ MSPS, Digital Scale = 0 dBFS, $I_{FS} = 20$ mA, PLL On

09691-085

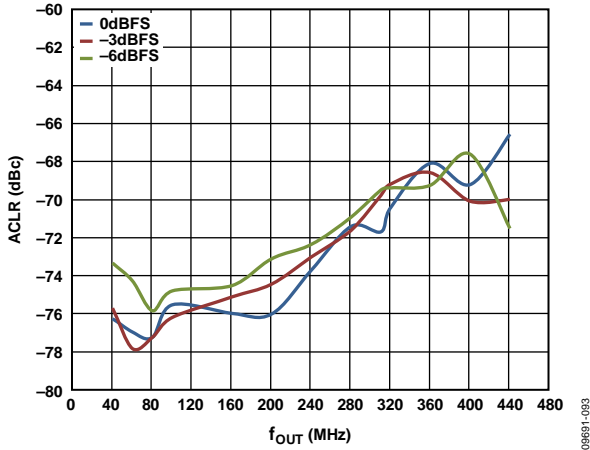


Figure 16. Four-Carrier W-CDMA ACLR vs. f_{OUT} over Digital Scale, Adjacent Channel, 4x Interpolation, $f_{DATA} = 245.76$ MSPS, PLL Off

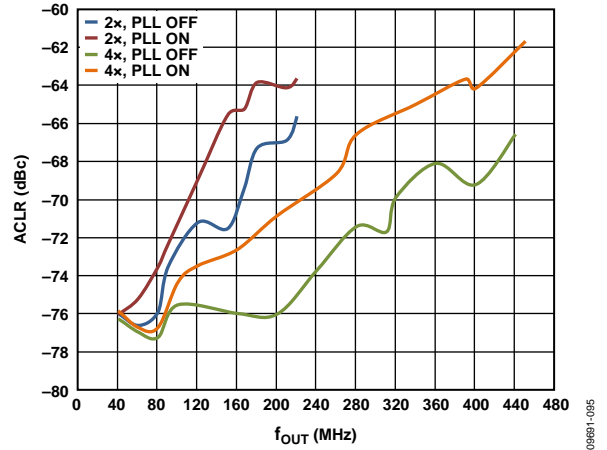


Figure 19. Four-Carrier W-CDMA ACLR vs. f_{OUT} over Interpolation, Adjacent Channel, $f_{DATA} = 245.76$ MSPS, PLL Off and PLL On

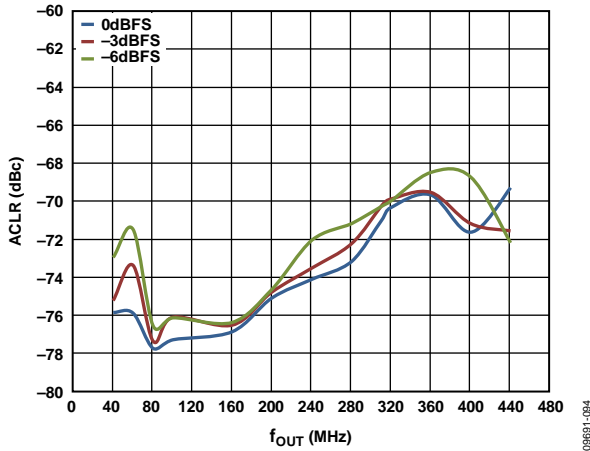


Figure 17. Four-Carrier W-CDMA ACLR vs. f_{OUT} over Digital Scale, First Alternate Channel, 4x Interpolation, $f_{DATA} = 245.76$ MSPS, PLL Off

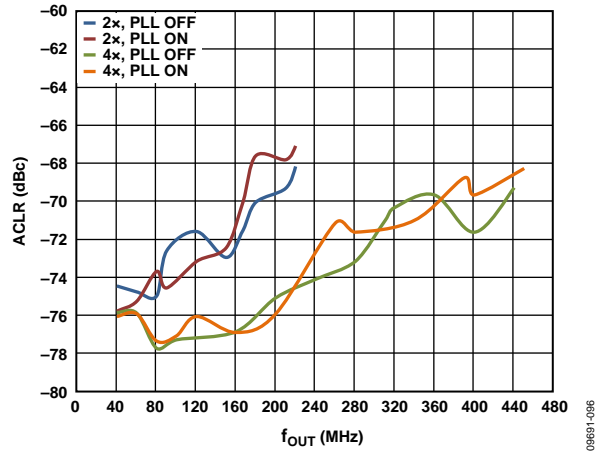


Figure 20. Four-Carrier W-CDMA ACLR vs. f_{OUT} over Interpolation, First Alternate Channel, $f_{DATA} = 245.76$ MSPS, PLL Off and PLL On

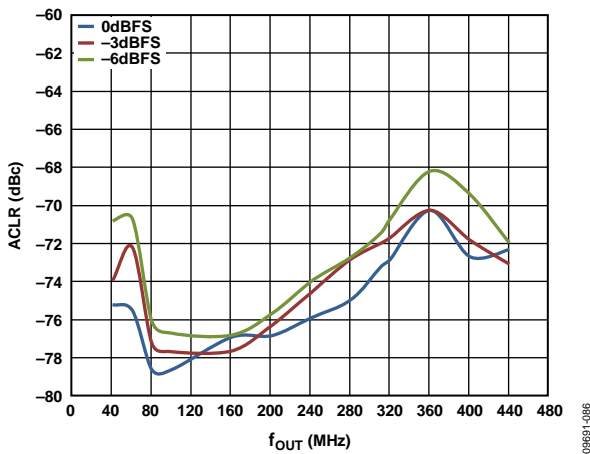


Figure 18. Four-Carrier W-CDMA ACLR vs. f_{OUT} over Digital Scale, Second Alternate Channel, 4x Interpolation, $f_{DATA} = 245.76$ MSPS, PLL Off

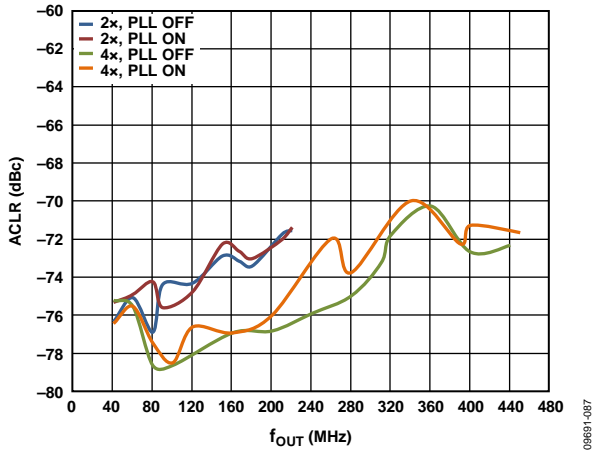


Figure 21. Four-Carrier W-CDMA ACLR vs. f_{OUT} over Interpolation, Second Alternate Channel, $f_{DATA} = 245.76$ MSPS, PLL Off and PLL On

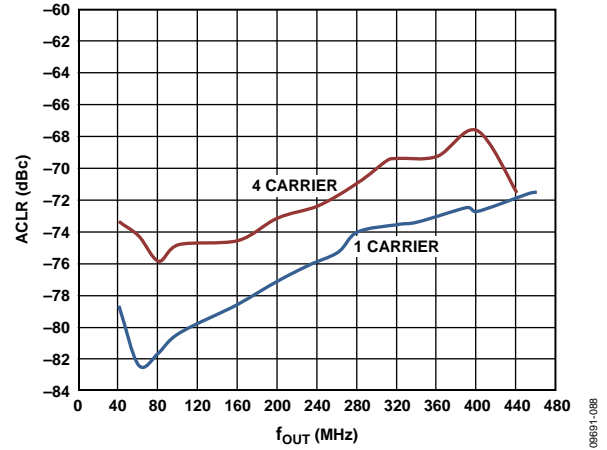


Figure 23. W-CDMA ACLR vs. f_{OUT} over Number of Carriers, Adjacent Channel, 4x Interpolation, $f_{DATA} = 245.76$ MSPS, Digital Scale = -6 dBFS, PLL Off

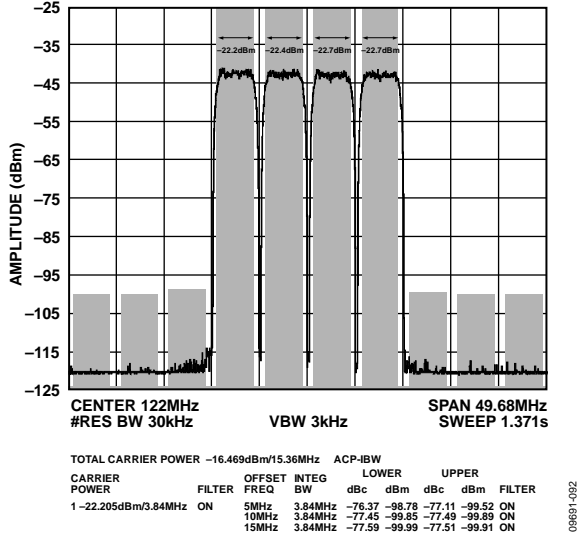


Figure 22. Four-Carrier W-CDMA Performance, 4x Interpolation, $f_{DATA} = 245.76$ MSPS, Digital Scale = -6 dBFS, $f_{OUT} = 122$ MHz

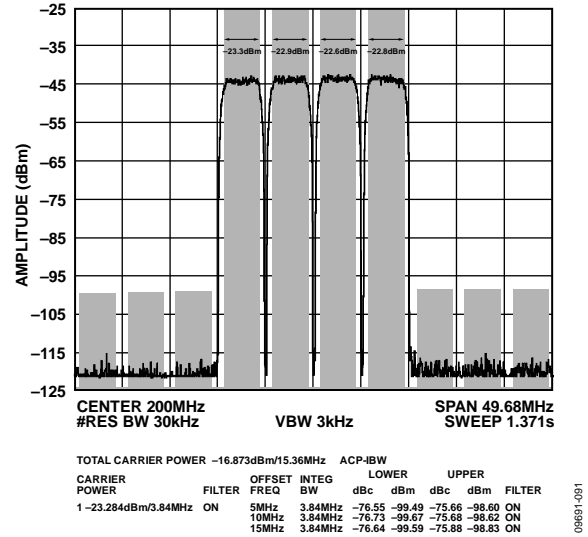


Figure 24. Four-Carrier W-CDMA Performance, 4x Interpolation, $f_{DATA} = 245.76$ MSPS, Digital Scale = -6 dBFS, $f_{OUT} = 200$ MHz

TERMINOLOGY

Integral Nonlinearity (INL)

INL is the maximum deviation of the actual analog output from the ideal output, determined by a straight line drawn from zero scale to full scale.

Differential Nonlinearity (DNL)

DNL is the measure of the variation in analog value, normalized to full scale, associated with a 1 LSB change in digital input code.

Offset Error

Offset error is the deviation of the output current from the ideal of 0 mA. For IOUT1P, 0 mA output is expected when all inputs are set to 0. For IOUT1N, 0 mA output is expected when all inputs are set to 1.

Gain Error

Gain error is the difference between the actual and ideal output span. The actual span is determined by the difference between the output when all inputs are set to 1 and the output when all inputs are set to 0.

Output Compliance Range

The output compliance range is the range of allowable voltage at the output of a current output DAC. Operation beyond the maximum compliance limits can cause either output stage saturation or breakdown, resulting in nonlinear performance.

Temperature Drift

Temperature drift is specified as the maximum change from the ambient (25°C) value to the value at either T_{MIN} or T_{MAX} . For offset and gain drift, the drift is reported in ppm of full-scale range (FSR) per degree Celsius. For reference voltage drift, the drift is reported in ppm per degree Celsius.

Power Supply Rejection (PSR)

PSR is the maximum change in the full-scale output as the supplies are varied from minimum to maximum specified voltages.

Settling Time

Settling time is the time required for the output to reach and remain within a specified error band around its final value, measured from the start of the output transition.

Spurious-Free Dynamic Range (SFDR)

SFDR is the difference, in decibels, between the peak amplitude of the output signal and the peak spurious signal within the dc to Nyquist frequency of the DAC. Typically, energy in this band is rejected by the interpolation filters. This specification, therefore, defines how well the interpolation filters work and the effect of other parasitic coupling paths on the DAC output.

Signal-to-Noise Ratio (SNR)

SNR is the ratio of the rms value of the measured output signal to the rms sum of all other spectral components below the Nyquist frequency, excluding the first six harmonics and dc. The value for SNR is expressed in decibels.

Interpolation Filter

If the digital inputs to the DAC are sampled at a multiple rate of f_{DATA} (interpolation rate), a digital filter can be constructed that has a sharp transition band near $f_{DATA}/2$. Images that typically appear around f_{DAC} (output data rate) can be greatly suppressed.

Adjacent Channel Leakage Ratio (ACLR)

ACLR is the ratio in decibels relative to the carrier (dBc) between the measured power within a channel and that of its adjacent channel.

Complex Image Rejection

In a traditional two-part upconversion, two images are created around the second IF frequency. These images have the effect of wasting transmitter power and system bandwidth. By placing the real part of a second complex modulator in series with the first complex modulator, either the upper or lower frequency image near the second IF can be rejected.

THEORY OF OPERATION

High performance, small size, and low power consumption make the AD9146 a very attractive DAC for wired and wireless communications systems. The dual digital signal path and dual DAC structure allow an easy interface to common quadrature modulators when designing single sideband (SSB) transmitters.

The AD9146 offers features that allow simplified synchronization with incoming data and between multiple devices. Auxiliary DACs are also provided on chip. The auxiliary DACs can be used for output dc offset compensation (for LO compensation in SSB transmitters) and for gain matching (for image rejection optimization in SSB transmitters).

SERIAL PORT OPERATION

The serial port is a flexible, synchronous serial communications port that allows easy interfacing to many industry-standard microcontrollers and microprocessors. The serial I/O is compatible with most synchronous transfer formats, including both the Motorola SPI and Intel® SSR protocols. The interface allows read/write access to all registers that configure the AD9146. Single-byte or multiple-byte transfers are supported, as well as MSB first or LSB first transfer formats.

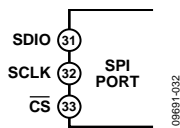


Figure 25. Serial Port Interface Pins

A communication cycle with the AD9146 has two phases. Phase 1 is the instruction cycle (the writing of an instruction byte into the device), coincident with the first eight SCLK rising edges. The instruction byte provides the serial port controller with information regarding the data transfer cycle—Phase 2 of the communication cycle. The Phase 1 instruction byte defines whether the upcoming data transfer is a read or write, along with the starting register address for the first byte of the data transfer. The first eight SCLK rising edges of each communication cycle are used to write the instruction byte into the device.

A logic high on the \overline{CS} pin followed by a logic low resets the serial port timing to the initial state of the instruction cycle. From this state, the next eight rising SCLK edges represent the instruction bits of the current I/O operation.

The remaining SCLK edges are for Phase 2 of the communication cycle. Phase 2 is the actual data transfer between the device and the system controller. Phase 2 of the communication cycle is a transfer of one or more data bytes. Registers change immediately upon writing to the last bit of each transfer byte.

DATA FORMAT

The instruction byte contains the information shown in Table 9.

Table 9. Serial Port Instruction Byte

| I7 (MSB) | I6 | I5 | I4 | I3 | I2 | I1 | I0 (LSB) |
|-------------------|----|----|----|----|----|----|----------|
| R/ \overline{W} | A6 | A5 | A4 | A3 | A2 | A1 | A0 |

R/ \overline{W} , Bit 7 of the instruction byte, determines whether a read or a write data transfer occurs after the instruction byte write. Logic 1 indicates a read operation, and Logic 0 indicates a write operation.

A6 to A0, Bit 6 to Bit 0 of the instruction byte, determine the register that is accessed during the data transfer portion of the communication cycle. For multibyte transfers, A6 is the starting byte address. The remaining register addresses are generated by the device based on the LSB_FIRST bit (Register 0x00, Bit 6).

SERIAL PORT PIN DESCRIPTIONS

Serial Clock (SCLK)

The serial clock pin synchronizes data to and from the device and runs the internal state machines. The maximum frequency of SCLK is 40 MHz. All data input is registered on the rising edge of SCLK. All data is driven out on the falling edge of SCLK.

Chip Select (\overline{CS})

An active low input starts and gates a communication cycle. It allows more than one device to be used on the same serial communications lines. When the \overline{CS} pin is high, the SDIO pin goes to a high impedance state. During the communication cycle, the \overline{CS} pin should stay low.

Serial Data I/O (SDIO)

The SDIO pin is a bidirectional pin that functions as an input in write mode and as an output in read mode. Data is written into the device on this pin and read from the device on this pin. The configuration of the SDIO pin is controlled by Register 0x00, Bit 7. To enable readback of the register data, this bit must be set to 1.

SERIAL PORT OPTIONS

The serial port can support both MSB first and LSB first data formats. This functionality is controlled by the LSB_FIRST bit (Register 0x00, Bit 6). The default is MSB first (LSB_FIRST = 0).

When LSB_FIRST = 0 (MSB first), the instruction and data bits must be written from MSB to LSB. Multibyte data transfers in MSB first format start with an instruction byte that includes the register address of the most significant data byte. Subsequent data bytes should follow from high address to low address. In MSB first mode, the serial port internal byte address generator decrements for each data byte of the multibyte communication cycle.

When LSB_FIRST = 1 (LSB first), the instruction and data bits must be written from LSB to MSB. Multibyte data transfers in LSB first format start with an instruction byte that includes the register address of the least significant data byte. Subsequent data bytes should follow from low address to high address. In LSB first mode, the serial port internal byte address generator increments for each data byte of the multibyte communication cycle.

If the MSB first mode is active, the serial port controller data address decrements from the data address written toward 0x00 for multibyte I/O operations. If the LSB first mode is active, the serial port controller data address increments from the data address written toward 0x7F for multibyte I/O operations.

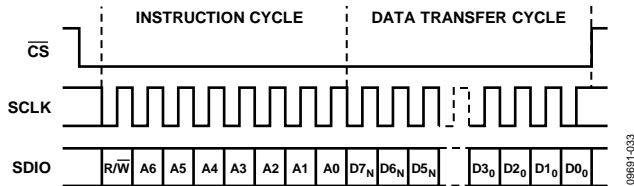


Figure 26. Serial Port Interface Timing, MSB First

09691-033

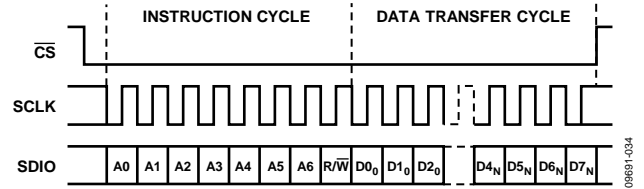


Figure 27. Serial Port Interface Timing, LSB First

09691-034

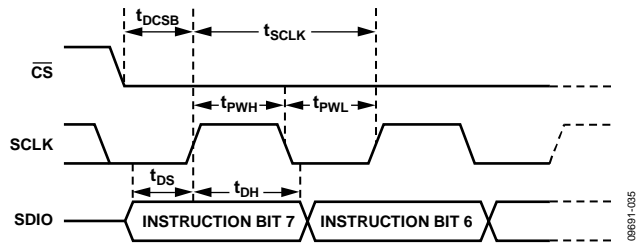


Figure 28. Timing Diagram for Serial Port Register Write

09691-035

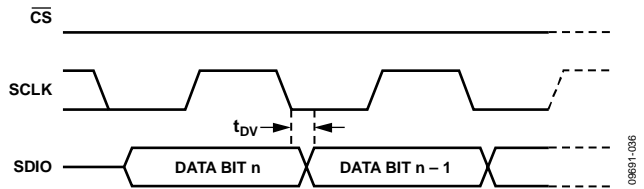


Figure 29. Timing Diagram for Serial Port Register Read

09691-036

DEVICE CONFIGURATION REGISTER MAP AND DESCRIPTIONS

Table 10. Device Configuration Register Map

| Addr (Hex) | Register Name | Bit 7 | Bit 6 | Bit 5 | Bit 4 | Bit 3 | Bit 2 | Bit 1 | Bit 0 | Default |
|------------|------------------------|---------------------------------------|------------------------|------------------------------|------------------------------|-----------------------------------|-------------------------|-------------------------|-----------------------|---------|
| 0x00 | Comm | SDIO | LSB_FIRST | Reset | | | | | | 0x00 |
| 0x01 | Power control | Power down I DAC | Power down Q DAC | Power down data receiver | Power down aux ADC | Power down aux DACs and reference | Power down clocks | | | 0x10 |
| 0x02 | Tx enable control | | Extended delay length | Enable extended delay | Power down voltage reference | Power down PLL | Power down DACs | Power down FIFO | Power down filters | 0x00 |
| 0x03 | Data format | Binary data format | Q data first | MSB swap | | | | Data Bus Width[1:0] | | 0x00 |
| 0x04 | Interrupt enable | Enable PLL lock lost | Enable PLL locked | Enable sync signal lost | Enable sync signal locked | | | Enable FIFO Warning 1 | Enable FIFO Warning 2 | 0x00 |
| 0x05 | Interrupt enable | 0 | 0 | 0 | Enable AED compare pass | Enable AED compare fail | Enable SED compare fail | 0 | 0 | 0x00 |
| 0x06 | Event flag | PLL lock lost | PLL locked | Sync signal lost | Sync signal locked | | | FIFO Warning 1 | FIFO Warning 2 | N/A |
| 0x07 | Event flag | | | | AED compare pass | AED compare fail | SED compare fail | | | N/A |
| 0x08 | Clock receiver control | DACCLK duty correction | REFCLK duty correction | DACCLK cross-correction | REFCLK cross-correction | 1 | 1 | 1 | 1 | 0x3F |
| 0x0A | PLL control | PLL enable | PLL manual enable | Manual VCO Band[5:0] | | | | | | 0x40 |
| 0x0C | PLL control | PLL Loop Bandwidth[1:0] | | PLL Charge Pump Current[4:0] | | | | | | 0xD1 |
| 0x0D | PLL control | N2[1:0] | | | PLL cross-control enable | N0[1:0] | | N1[1:0] | | 0xD9 |
| 0x0E | PLL status | PLL locked | | | | VCO Control Voltage[3:0] | | | | N/A |
| 0x0F | PLL status | | | VCO Band Readback[5:0] | | | | | | N/A |
| 0x10 | Sync control | Sync enable | Data/FIFO rate toggle | | | Rising edge sync | Sync Averaging[2:0] | | | 0x48 |
| 0x11 | Sync control | | | Sync Phase Request[5:0] | | | | | | 0x00 |
| 0x12 | Sync status | Sync lost | Sync locked | | | | | | | N/A |
| 0x13 | Sync status | Sync Phase Readback[7:0] (6.2 format) | | | | | | | | N/A |
| 0x15 | Data receiver status | | | LVDS FRAME level high | LVDS FRAME level low | LVDS DCI level high | LVDS DCI level low | LVDS data level high | LVDS data level low | N/A |
| 0x16 | DCI delay | | | | | | Delay bypass | DCI Delay[1:0] | | 0x00 |
| 0x17 | FIFO control | | | | | | FIFO Phase Offset[2:0] | | | 0x04 |
| 0x18 | FIFO status | FIFO Warning 1 | FIFO Warning 2 | | | | FIFO soft align ack | FIFO soft align request | | N/A |
| 0x19 | FIFO status | FIFO Level[7:0] | | | | | | | | N/A |

| Addr (Hex) | Register Name | Bit 7 | Bit 6 | Bit 5 | Bit 4 | Bit 3 | Bit 2 | Bit 1 | Bit 0 | Default |
|------------|------------------------|--|-----------------------------|-----------------------|-------|------------------------|---------------------------------|-------------------|-----------------------|---------|
| 0x1B | Datapath control | Bypass premod | Bypass sinc ⁻¹ | 1 | | | Bypass phase comp and dc offset | Select sideband | Send I data to Q data | 0xE4 |
| 0x1C | HB1 control | | | | | | HB1[1:0] | | Bypass HB1 | 0x00 |
| 0x1D | HB2 control | | HB2[5:0] | | | | | | Bypass HB2 | 0x00 |
| 0x1E | Datapath config | This register must be changed from the default value for proper operation. | | | | | | | 1 | 0x00 |
| 0x1F | Chip ID | Chip ID[7:0] | | | | | | | | 0x08 |
| 0x38 | I phase adj LSB | I Phase Adj[7:0] | | | | | | | | 0x00 |
| 0x39 | I phase adj MSB | | | | | | | I Phase Adj[9:8] | | 0x00 |
| 0x3A | Q phase adj LSB | Q Phase Adj[7:0] | | | | | | | | 0x00 |
| 0x3B | Q phase adj MSB | | | | | | | Q Phase Adj[9:8] | | 0x00 |
| 0x3C | I DAC offset LSB | I DAC Offset[7:0] | | | | | | | | 0x00 |
| 0x3D | I DAC offset MSB | I DAC Offset[15:8] | | | | | | | | 0x00 |
| 0x3E | Q DAC offset LSB | Q DAC Offset[7:0] | | | | | | | | 0x00 |
| 0x3F | Q DAC offset MSB | Q DAC Offset[15:8] | | | | | | | | 0x00 |
| 0x40 | I DAC FS adjust | I DAC FS Adj[7:0] | | | | | | | | 0xF9 |
| 0x41 | I DAC control | I DAC sleep | | | | | | I DAC FS Adj[9:8] | | 0x01 |
| 0x42 | I aux DAC data | I Aux DAC[7:0] | | | | | | | | 0x00 |
| 0x43 | I aux DAC control | I aux DAC sign | I aux DAC current direction | I aux DAC sleep | | | | I Aux DAC[9:8] | | 0x00 |
| 0x44 | Q DAC FS adjust | Q DAC FS Adj[7:0] | | | | | | | | 0xF9 |
| 0x45 | Q DAC control | Q DAC sleep | | | | | | Q DAC FS Adj[9:8] | | 0x01 |
| 0x46 | Q aux DAC data | Q Aux DAC[7:0] | | | | | | | | 0x00 |
| 0x47 | Q aux DAC control | Q aux DAC sign | Q aux DAC current direction | Q aux DAC sleep | | | | Q Aux DAC[9:8] | | 0x00 |
| 0x48 | Die temp range control | | FS Current[2:0] | | | Reference Current[2:0] | | | Capacitor value | 0x02 |
| 0x49 | Die temp LSB | Die Temp[7:0] | | | | | | | | N/A |
| 0x4A | Die temp MSB | Die Temp[15:8] | | | | | | | | N/A |
| 0x67 | SED control | SED compare enable | | Sample error detected | | Autoclear enable | | Compare fail | Compare pass | 0x00 |
| 0x68 | Compare I0 LSBs | Compare Value I _{0LSB} | | | | | | | | 0xB6 |
| 0x69 | Compare I0 MSBs | Compare Value I _{0MSB} | | | | | | | | 0x7A |
| 0x6A | Compare Q0 LSBs | Compare Value Q _{0LSB} | | | | | | | | 0x45 |
| 0x6B | Compare Q0 MSBs | Compare Value Q _{0MSB} | | | | | | | | 0xEA |
| 0x6C | Compare I1 LSBs | Compare Value I _{1LSB} | | | | | | | | 0x16 |
| 0x6D | Compare I1 MSBs | Compare Value I _{1MSB} | | | | | | | | 0x1A |
| 0x6E | Compare Q1 LSBs | Compare Value Q _{1LSB} | | | | | | | | 0xC6 |
| 0x6F | Compare Q1 MSBs | Compare Value Q _{1MSB} | | | | | | | | 0xAA |
| 0x70 | SED I LSBs | Errors Detected I _{NLSB} | | | | | | | | 0x00 |
| 0x71 | SED I MSBs | Errors Detected I _{NMSB} | | | | | | | | 0x00 |
| 0x72 | SED Q LSBs | Errors Detected Q _{NLSB} | | | | | | | | 0x00 |
| 0x73 | SED Q MSBs | Errors Detected Q _{NMSB} | | | | | | | | 0x00 |
| 0x7F | Revision | | | Revision[3:0] | | | | | | N/A |

Table 11. Device Configuration Register Descriptions

| Register Name | Address (Hex) | Bits | Name | Description | Default |
|-------------------|---------------|------|---|---|---------|
| Comm | 0x00 | 7 | SDIO | SDIO pin operation. To enable data readback, set this bit to 1. 0 = SDIO operates as an input only. 1 = SDIO operates as a bidirectional input/output. | 0 |
| | | 6 | LSB_FIRST | Serial port communication, LSB or MSB first. 0 = MSB first. 1 = LSB first. | 0 |
| | | 5 | Reset | The device is placed in reset when this bit is written high and remains in reset until the bit is written low. | 0 |
| Power Control | 0x01 | 7 | Power down I DAC | 1 = power down I DAC. | 0 |
| | | 6 | Power down Q DAC | 1 = power down Q DAC. | 0 |
| | | 5 | Power down data receiver | 1 = power down the input data receiver. | 0 |
| | | 4 | Power down auxiliary ADC | 1 = power down the auxiliary ADC for temperature sensor. | 1 |
| | | 3 | Power down auxiliary DACs and reference | 1 = power down the auxiliary DACs and the voltage reference. | 0 |
| | | 2 | Power down clocks | 1 = power down the clocks. | 0 |
| Tx Enable Control | 0x02 | 6 | Extended delay length | Time delay from when the TXENABLE pin is brought high to when the DAC begins transmitting data. See the Tx Enable section for more information. 0 = delay the outputs by 12 to 13 DAC/64 clock edges. 1 = delay the outputs by 19 to 20 DAC/64 clock edges. | 0 |
| | | 5 | Enable extended delay | The transmit delay, regardless of whether the extended delay option is selected, has an inherent fixed delay of 10 DAC clock cycles. When the extended delay is disabled, there is a minimum delay time in the outputs of 1 to 2 DAC/64 clock edges from when the TXENABLE pin is brought high. 0 = disable the extended delay option. Delays the outputs by 1 to 2 DAC/64 clock edges. 1 = enable the extended delay option. Delays the outputs based on the setting of Bit 6. | 0 |
| | | 4 | Power down voltage reference | 0 = no power-down of the internal voltage reference. 1 = power down the internal voltage reference when the TXENABLE pin is held low. | 0 |
| | | 3 | Power down PLL | 0 = no power-down of the on-chip PLL. 1 = power down the on-chip PLL when the TXENABLE pin is held low. | 0 |
| | | 2 | Power down DACs | 0 = no power-down of the DAC cores. 1 = power down the DAC cores when the TXENABLE pin is held low. | 0 |
| | | 1 | Power down FIFO | 0 = no power-down of the FIFO. 1 = power down the FIFO when the TXENABLE pin is held low. | 0 |
| | | 0 | Power down filters | 0 = no power-down of the interpolation filters. 1 = power down the interpolation filters when the TXENABLE pin is held low. | 0 |

| Register Name | Address (Hex) | Bits | Name | Description | Default |
|------------------|---------------|----------|---|--|---------|
| Data Format | 0x03 | 7 | Binary data format | 0 = input data is in twos complement format. 1 = input data is in binary format. | 0 |
| | | 6 | Q data first | Indicates I/Q data pairing on data input. 0 = I data sent to data receiver first. 1 = Q data sent to data receiver first. | 0 |
| | | 5 | MSB swap | Swaps the bit order of the data input port. 0 = order of the data bits corresponds to the pin descriptions. 1 = bit designations are swapped; most significant bits become the least significant bits. | 0 |
| | | [1:0] | Data Bus Width[1:0] | Data receiver interface mode. See the LVDS Input Data Ports section for information about the operation of the different interface modes. 00 = byte mode; 8-bit interface bus width. 01 = byte mode; 8-bit interface bus width. 10 = nibble mode; 4-bit interface bus width. 11 = invalid. | 00 |
| Interrupt Enable | 0x04 | 7 | Enable PLL lock lost | 1 = enable interrupt for PLL lock lost. | 0 |
| | | 6 | Enable PLL locked | 1 = enable interrupt for PLL locked. | 0 |
| | | 5 | Enable sync signal lost | 1 = enable interrupt for sync signal lost. | 0 |
| | | 4 | Enable sync signal locked | 1 = enable interrupt for sync signal locked. | 0 |
| | | 1 | Enable FIFO Warning 1 | 1 = enable interrupt for FIFO Warning 1. | 0 |
| | | 0 | Enable FIFO Warning 2 | 1 = enable interrupt for FIFO Warning 2. | 0 |
| | 0x05 | [7:5] | Set to 0 | Set these bits to 0. | 000 |
| | | 4 | Enable AED compare pass | 1 = enable interrupt for AED comparison pass. | 0 |
| | | 3 | Enable AED compare fail | 1 = enable interrupt for AED comparison fail. | 0 |
| | | 2 | Enable SED compare fail | 1 = enable interrupt for SED comparison fail. | 0 |
| | [1:0] | Set to 0 | Set these bits to 0. | 00 | |
| Event Flag | 0x06 | 7 | PLL lock lost | 1 = indicates that the PLL, which had been previously locked, has unlocked from the reference signal. This is a latched signal. | N/A |
| | | 6 | PLL locked | 1 = indicates that the PLL has locked to the reference clock input. | N/A |
| | | 5 | Sync signal lost | 1 = indicates that the sync logic, which had been previously locked, has lost alignment. This is a latched signal. | N/A |
| | | 4 | Sync signal locked | 1 = indicates that the sync logic has achieved sync alignment. This is indicated when no phase changes were requested for at least a few full averaging cycles. | N/A |
| | | 1 | FIFO Warning 1 | 1 = indicates that the difference between the FIFO read and write pointers is 1. | N/A |
| | | 0 | FIFO Warning 2 | 1 = indicates that the difference between the FIFO read and write pointers is 2. | N/A |
| | | | Note that all event flags are cleared by writing the respective bit high. | | |
| | 0x07 | 4 | AED compare pass | 1 = indicates that the SED logic detected a valid input data pattern compared against the preprogrammed expected values. This is a latched signal. | N/A |
| | | 3 | AED compare fail | 1 = indicates that the SED logic detected an invalid input data pattern compared against the preprogrammed expected values. This latched signal is automatically cleared when eight valid I/Q data pairs are received. | N/A |
| | | 2 | SED compare fail | 1 = indicates that the SED logic detected an invalid input data pattern compared against the preprogrammed expected values. This is a latched signal. | N/A |
| | | | Note that all event flags are cleared by writing the respective bit high. | | |

| Register Name | Address (Hex) | Bits | Name | Description | Default |
|------------------------|---------------|-------|------------------------------|---|--|
| Clock Receiver Control | 0x08 | 7 | DACCLK duty correction | 1 = enable duty cycle correction on the DACCLK input. | 0 |
| | | 6 | REFCLK duty correction | 1 = enable duty cycle correction on the REFCLK input. | 0 |
| | | 5 | DACCLK cross-correction | 1 = enable differential crossing correction on the DACCLK input. | 1 |
| | | 4 | REFCLK cross-correction | 1 = enable differential crossing correction on the REFCLK input. | 1 |
| PLL Control | 0x0A | 7 | PLL enable | 1 = enable the PLL clock multiplier. The REFCLK input is used as the PLL reference clock signal. | 0 |
| | | 6 | PLL manual enable | 1 = enable manual selection of the VCO band. The correct VCO band must be determined by the user and written to Bits[5:0]. | 1 |
| | | [5:0] | Manual VCO Band[5:0] | Selects the VCO band to be used. | 000000 |
| | 0x0C | [7:6] | PLL Loop Bandwidth[1:0] | Selects the PLL loop filter bandwidth. 00 = widest bandwidth. ... 11 = narrowest bandwidth. | 11 |
| | | [4:0] | PLL Charge Pump Current[4:0] | Sets the nominal PLL charge pump current. 00000 = lowest current setting. ... 11111 = highest current setting. | 10001 |
| | 0x0D | [7:6] | N2[1:0] | PLL control clock divider. This divider determines the ratio of the DACCLK frequency to the PLL controller clock frequency. f_{PC_CLK} must always be less than 75 MHz. 00 = $f_{DACCLK}/f_{PC_CLK} = 2$. 01 = $f_{DACCLK}/f_{PC_CLK} = 4$. 10 = $f_{DACCLK}/f_{PC_CLK} = 8$. 11 = $f_{DACCLK}/f_{PC_CLK} = 16$. | 11 |
| | | 4 | PLL cross-control enable | 1 = enable PLL cross-point controller. | 1 |
| | | [3:2] | N0[1:0] | PLL VCO divider. This divider determines the ratio of the VCO frequency to the DACCLK frequency. 00 = $f_{VCO}/f_{DACCLK} = 1$. 01 = $f_{VCO}/f_{DACCLK} = 2$. 10 = $f_{VCO}/f_{DACCLK} = 4$. 11 = $f_{VCO}/f_{DACCLK} = 4$. | 10 |
| | | [1:0] | N1[1:0] | PLL loop divider. This divider determines the ratio of the DACCLK frequency to the REFCLK frequency. 00 = $f_{DACCLK}/f_{REFCLK} = 2$. 01 = $f_{DACCLK}/f_{REFCLK} = 4$. 10 = $f_{DACCLK}/f_{REFCLK} = 8$. 11 = $f_{DACCLK}/f_{REFCLK} = 16$. | 01 |
| | PLL Status | 0x0E | 7 | PLL locked | 1 = the PLL-generated clock is tracking the REFCLK input signal. |
| [3:0] | | | VCO Control Voltage[3:0] | VCO control voltage readback. See Table 22. | N/A |
| 0x0F | | [5:0] | VCO Band Readback[5:0] | Indicates the VCO band currently selected. | N/A |

| Register Name | Address (Hex) | Bits | Name | Description | Default |
|----------------------|---------------|-------|--------------------------|---|---------|
| Sync Control | 0x10 | 7 | Sync enable | 1 = enable the synchronization logic. | 0 |
| | | 6 | Data/FIFO rate toggle | 0 = operate the synchronization at the FIFO reset rate. 1 = operate the synchronization at the data rate. | 1 |
| | | 3 | Rising edge sync | 0 = sync is initiated on the falling edge of the sync input. 1 = sync is initiated on the rising edge of the sync input. | 1 |
| | | [2:0] | Sync Averaging[2:0] | Sets the number of input samples that are averaged in determining the sync phase. 000 = 1. 001 = 2. 010 = 4. 011 = 8. 100 = 16. 101 = 32. 110 = 64. 111 = 128. | 000 |
| | 0x11 | [5:0] | Sync Phase Request[5:0] | This register sets the requested clock phase offset after sync. The offset unit is in DACCLK cycles. This register enables repositioning of the DAC output with respect to the sync input. The offset can also be used to skew the DAC outputs between the synchronized DACs. 000000 = 0 DACCLK cycles. 000001 = 1 DACCLK cycle. ... 111111 = 63 DACCLK cycles. | 000000 |
| Sync Status | 0x12 | 7 | Sync lost | 1 = synchronization was attained but has been lost. | N/A |
| | | 6 | Sync locked | 1 = synchronization has been attained. | N/A |
| | 0x13 | [7:0] | Sync Phase Readback[7:0] | Indicates the averaged sync phase offset (6.2 format). If this value differs from the Sync Phase Request[5:0] value in Register 0x11, a sync timing error has occurred. For more information, see the Sync Status Bits section. 00000000 = 0.0. 00000001 = 0.25. ... 11111110 = 63.50. 11111111 = 63.75. | N/A |
| Data Receiver Status | 0x15 | 5 | LVDS FRAME level high | One or both LVDS FRAME input signals have exceeded 1.7 V. | N/A |
| | | 4 | LVDS FRAME level low | One or both LVDS FRAME input signals have crossed below 0.7 V. | N/A |
| | | 3 | LVDS DCI level high | One or both LVDS DCI input signals have exceeded 1.7 V. | N/A |
| | | 2 | LVDS DCI level low | One or both LVDS DCI input signals have crossed below 0.7 V. | N/A |
| | | 1 | LVDS data level high | One or more LVDS Dx input signals have exceeded 1.7 V. | N/A |
| | | 0 | LVDS data level low | One or more LVDS Dx input signals have crossed below 0.7 V. | N/A |
| DCI Delay | 0x16 | 2 | Delay bypass | 0 = enable the on-chip DCI delay feature. Set the delay using Bits[1:0]. 1 = bypass the on-chip DCI delay feature. | 0 |
| | | [1:0] | DCI Delay[1:0] | These bits control the delay applied to the DCI signal. The DCI delay affects the sampling interval of the DCI with respect to the Dx inputs. See Table 14. 00 = 165 ps delay of DCI signal. 01 = 375 ps delay of DCI signal. 10 = 615 ps delay of DCI signal. 11 = 720 ps delay of DCI signal. | 00 |

| Register Name | Address (Hex) | Bits | Name | Description | Default |
|------------------|---------------|-------|---|--|---------|
| FIFO Control | 0x17 | [2:0] | FIFO Phase Offset[2:0] | FIFO write pointer phase offset following FIFO reset. This is the difference between the read pointer and the write pointer values upon FIFO reset. The optimal value is nominally 4 (100). 000 = 0. 001 = 1. ... 111 = 7. | 100 |
| FIFO Status | 0x18 | 7 | FIFO Warning 1 | 1 = FIFO read and write pointers are within ± 1 . | N/A |
| | | 6 | FIFO Warning 2 | 1 = FIFO read and write pointers are within ± 2 . | N/A |
| | | 2 | FIFO soft align acknowledge | 1 = FIFO read and write pointers are aligned after a serial port initiated FIFO reset. | N/A |
| | | 1 | FIFO soft align request | 1 = request FIFO read and write pointer alignment via the serial port. | 0 |
| | 0x19 | [7:0] | FIFO Level[7:0] | Thermometer encoded measure of the FIFO level. | N/A |
| Datapath Control | 0x1B | 7 | Bypass premod | 1 = bypass the $f_s/2$ premodulator. | 1 |
| | | 6 | Bypass sinc ⁻¹ | 1 = bypass the inverse sinc filter. | 1 |
| | | 5 | Set to 1 | Set this bit to 1 for proper operation. | 1 |
| | | 2 | Bypass phase compensation and dc offset | 1 = bypass phase compensation and dc offset. | 1 |
| | | 1 | Select sideband | 0 = the modulator outputs the high-side image. 1 = the modulator outputs the low-side image. The image is spectrally inverted compared to the input data. | 0 |
| | | 0 | Send I data to Q data | 1 = ignore Q data from the interface and disable the clocks to the Q datapath. Send I data to both the I and Q DACs. | 0 |
| HB1 Control | 0x1C | [2:1] | HB1[1:0] | Modulation mode for I Side Half-Band Filter 1. 00 = input signal not modulated; filter pass band is from -0.4 to $+0.4$ of f_{IN1} . 01 = input signal not modulated; filter pass band is from 0.1 to 0.9 of f_{IN1} . 10 = input signal modulated by f_{IN1} ; filter pass band is from 0.6 to 1.4 of f_{IN1} . 11 = input signal modulated by f_{IN1} ; filter pass band is from 1.1 to 1.9 of f_{IN1} . | 00 |
| | | 0 | Bypass HB1 | 1 = bypass the first-stage interpolation filter. | 0 |
| HB2 Control | 0x1D | [6:1] | HB2[5:0] | Modulation mode for I Side Half-Band Filter 2. 000000 = input signal not modulated; filter pass band is from -0.25 to $+0.25$ of f_{IN2} . 001001 = input signal not modulated; filter pass band is from 0.0 to 0.5 of f_{IN2} . 010010 = input signal not modulated; filter pass band is from 0.25 to 0.75 of f_{IN2} . 011011 = input signal not modulated; filter pass band is from 0.5 to 1.0 of f_{IN2} . 100100 = input signal modulated by f_{IN2} ; filter pass band is from 0.75 to 1.25 of f_{IN2} . 101101 = input signal modulated by f_{IN2} ; filter pass band is from 1.0 to 1.5 of f_{IN2} . 110110 = input signal modulated by f_{IN2} ; filter pass band is from 1.25 to 1.75 of f_{IN2} . 111111 = input signal modulated by f_{IN2} ; filter pass band is from 1.5 to 2.0 of f_{IN2} . | 000000 |
| | | 0 | Bypass HB2 | 1 = bypass the second-stage interpolation filter. | 0 |

| Register Name | Address (Hex) | Bits | Name | Description | Default |
|-------------------|---------------|-------|-----------------------------|--|----------|
| Datapath Config | 0x1E | 0 | Set to 1 | Set this bit to 1 for proper operation. (The default value must be changed from 0 to 1.) | 0 |
| Chip ID | 0x1F | [7:0] | Chip ID[7:0] | This register identifies the device as an AD9146. | 00001000 |
| I Phase Adj LSB | 0x38 | [7:0] | I Phase Adj[7:0] | See Register 0x39. | 00000000 |
| I Phase Adj MSB | 0x39 | [1:0] | I Phase Adj[9:8] | I Phase Adj[9:0] is used to insert a phase offset between the I and Q datapaths. This offset can be used to correct for phase imbalance in a quadrature modulator. See the Quadrature Phase Correction section for more information. | 00 |
| Q Phase Adj LSB | 0x3A | [7:0] | Q Phase Adj[7:0] | See Register 0x3B. | 00000000 |
| Q Phase Adj MSB | 0x3B | [1:0] | Q Phase Adj[9:8] | Q Phase Adj[9:0] is used to insert a phase offset between the I and Q datapaths. This offset can be used to correct for phase imbalance in a quadrature modulator. See the Quadrature Phase Correction section for more information. | 00 |
| I DAC Offset LSB | 0x3C | [7:0] | I DAC Offset[7:0] | See Register 0x3D. | 00000000 |
| I DAC Offset MSB | 0x3D | [7:0] | I DAC Offset[15:8] | I DAC Offset[15:0] is a value that is added directly to the samples written to the I DAC. | 00000000 |
| Q DAC Offset LSB | 0x3E | [7:0] | Q DAC Offset[7:0] | See Register 0x3F. | 00000000 |
| Q DAC Offset MSB | 0x3F | [7:0] | Q DAC Offset[15:8] | Q DAC Offset[15:0] is a value that is added directly to the samples written to the Q DAC. | 00000000 |
| I DAC FS Adjust | 0x40 | [7:0] | I DAC FS Adj[7:0] | See Register 0x41, Bits[1:0]. | 11111001 |
| I DAC Control | 0x41 | 7 | I DAC sleep | 1 = puts the I DAC into sleep mode (fast wake-up mode). | 0 |
| | | [1:0] | I DAC FS Adj[9:8] | I DAC FS Adj[9:0] sets the full-scale current of the I DAC. The full-scale current can be adjusted from 8.64 mA to 31.68 mA in step sizes of approximately 22.5 μ A. 0x000 = 8.64 mA. ... 0x200 = 20.16 mA. ... 0x3FF = 31.68 mA. | 01 |
| I Aux DAC Data | 0x42 | [7:0] | I Aux DAC[7:0] | See Register 0x43, Bits[1:0]. | 00000000 |
| I Aux DAC Control | 0x43 | 7 | I aux DAC sign | 0 = the I auxiliary DAC sign is positive, and the current is directed to the IOUT1P pin (Pin 47). 1 = the I auxiliary DAC sign is negative, and the current is directed to the IOUT1N pin (Pin 46). | 0 |
| | | 6 | I aux DAC current direction | 0 = the I auxiliary DAC sources current. 1 = the I auxiliary DAC sinks current. | 0 |
| | | 5 | I aux DAC sleep | 1 = puts the I auxiliary DAC into sleep mode. | 0 |
| | | [1:0] | I Aux DAC[9:8] | I Aux DAC[9:0] sets the magnitude of the auxiliary DAC current. The range is 0 mA to 2 mA, and the step size is 2 μ A. 0x000 = 0.000 mA. 0x001 = 0.002 mA. ... 0x3FF = 2.046 mA. | 00 |
| Q DAC FS Adjust | 0x44 | [7:0] | Q DAC FS Adj[7:0] | See Register 0x45, Bits[1:0]. | 11111001 |

| Register Name | Address (Hex) | Bits | Name | Description | Default |
|------------------------|---------------|-------|-----------------------------|--|----------|
| Q DAC Control | 0x45 | 7 | Q DAC sleep | 1 = puts the Q DAC into sleep mode (fast wake-up mode). | 0 |
| | | [1:0] | Q DAC FS Adj[9:8] | Q DAC FS Adj[9:0] sets the full-scale current of the Q DAC. The full-scale current can be adjusted from 8.64 mA to 31.68 mA in step sizes of approximately 22.5 μ A. 0x000 = 8.64 mA. ... 0x200 = 20.16 mA. ... 0x3FF = 31.68 mA. | 01 |
| Q Aux DAC Data | 0x46 | [7:0] | Q Aux DAC[7:0] | See Register 0x47, Bits[1:0]. | 00000000 |
| Q Aux DAC Control | 0x47 | 7 | Q aux DAC sign | 0 = the Q auxiliary DAC sign is positive, and the current is directed to the IOUT2P pin (Pin 38). 1 = the Q auxiliary DAC sign is negative, and the current is directed to the IOUT2N pin (Pin 39). | 0 |
| | | 6 | Q aux DAC current direction | 0 = the Q auxiliary DAC sources current. 1 = the Q auxiliary DAC sinks current. | 0 |
| | | 5 | Q aux DAC sleep | 1 = puts the Q auxiliary DAC into sleep mode. | 0 |
| | | [1:0] | Q Aux DAC[9:8] | Q Aux DAC[9:0] sets the magnitude of the auxiliary DAC current. The range is 0 mA to 2 mA, and the step size is 2 μ A. 0x000 = 0.000 mA. 0x001 = 0.002 mA. ... 0x3FF = 2.046 mA. | 00 |
| Die Temp Range Control | 0x48 | [6:4] | FS Current[2:0] | Auxiliary ADC full-scale current. 000 = lowest current. ... 111 = highest current. | 000 |
| | | [3:1] | Reference Current[2:0] | Auxiliary ADC reference current. 000 = lowest current. ... 111 = highest current. | 001 |
| | | 0 | Capacitor value | Auxiliary ADC internal capacitor value. 0 = 5 pF. 1 = 10 pF. | 0 |
| Die Temp LSB | 0x49 | [7:0] | Die Temp[7:0] | See Register 0x4A. | N/A |
| Die Temp MSB | 0x4A | [7:0] | Die Temp[15:8] | Die Temp[15:0] indicates the approximate die temperature. For more information, see the Temperature Sensor section. | N/A |
| SED Control | 0x67 | 7 | SED compare enable | 1 = enable the SED circuitry. None of the flags in this register or the values in Register 0x70 through Register 0x73 are significant if the SED is not enabled. | 0 |
| | | 5 | Sample error detected | 1 = indicates an error was detected. The bit remains set until cleared. Any write to this register clears this bit to 0. | 0 |
| | | 3 | Autoclear enable | 1 = enable autoclear mode. This activates Bit 1 and Bit 0 of this register and causes Register 0x70 through Register 0x73 to be autocleared when eight consecutive sample data sets are received error free. | 0 |
| | | 1 | Compare fail | 1 = indicates an error was detected. This bit remains set until it is autocleared by the reception of eight consecutive error-free comparisons or is cleared by a write to this register. | 0 |
| | | 0 | Compare pass | 1 = indicates that the last sample comparison was error free. | 0 |

| Register Name | Address (Hex) | Bits | Name | Description | Default |
|-----------------|---------------|-------|-----------------------------------|---|----------|
| Compare I0 LSBs | 0x68 | [7:0] | Compare Value I _{0LSB} | Compare Value I _{0LSB} is the byte that is compared with the I _{0LSB} input sample captured at the input interface. | 10110110 |
| Compare I0 MSBs | 0x69 | [7:0] | Compare Value I _{0MSB} | Compare Value I _{0MSB} is the byte that is compared with the I _{0MSB} input sample captured at the input interface. | 01111010 |
| Compare Q0 LSBs | 0x6A | [7:0] | Compare Value Q _{0LSB} | Compare Value Q _{0LSB} is the byte that is compared with the Q _{0LSB} input sample captured at the input interface. | 01000101 |
| Compare Q0 MSBs | 0x6B | [7:0] | Compare Value Q _{0MSB} | Compare Value Q _{0MSB} is the byte that is compared with the Q _{0MSB} input sample captured at the input interface. | 11101010 |
| Compare I1 LSBs | 0x6C | [7:0] | Compare Value I _{1LSB} | Compare Value I _{1LSB} is the byte that is compared with the I _{1LSB} input sample captured at the input interface. | 00010110 |
| Compare I1 MSBs | 0x6D | [7:0] | Compare Value I _{1MSB} | Compare Value I _{1MSB} is the byte that is compared with the I _{1MSB} input sample captured at the input interface. | 00011010 |
| Compare Q1 LSBs | 0x6E | [7:0] | Compare Value Q _{1LSB} | Compare Value Q _{1LSB} is the byte that is compared with the Q _{1LSB} input sample captured at the input interface. | 11000110 |
| Compare Q1 MSBs | 0x6F | [7:0] | Compare Value Q _{1MSB} | Compare Value Q _{1MSB} is the byte that is compared with the Q _{1MSB} input sample captured at the input interface. | 10101010 |
| SED I LSBs | 0x70 | [7:0] | Errors Detected I _{NLSB} | Errors Detected I _{NLSB} indicates which bits were received in error. | 00000000 |
| SED I MSBs | 0x71 | [7:0] | Errors Detected I _{NMSB} | Errors Detected I _{NMSB} indicates which bits were received in error. | 00000000 |
| SED Q LSBs | 0x72 | [7:0] | Errors Detected Q _{NLSB} | Errors Detected Q _{NLSB} indicates which bits were received in error. | 00000000 |
| SED Q MSBs | 0x73 | [7:0] | Errors Detected Q _{NMSB} | Errors Detected Q _{NMSB} indicates which bits were received in error. | 00000000 |
| Revision | 0x7F | [5:2] | Revision[3:0] | This value corresponds to the die revision number. 0011 = Die Revision 1. | N/A |

LVDS INPUT DATA PORTS

The AD9146 has one LVDS data port that receives data for both the I and Q transmit paths. The device can accept data in byte and nibble formats. In byte and nibble modes, the data is sent over 8-bit and 4-bit LVDS data buses, respectively. The pin assignments of the bus in each mode are shown in Table 12.

Table 12. Data Bit Pair Assignments for Data Input Modes

| Mode | MSB to LSB |
|---------------------|--------------------------------|
| Byte | D7, D6, D5, D4, D3, D2, D1, D0 |
| Nibble ¹ | D5, D4, D3, D2 |

¹ In nibble mode, the unused pins can be left floating.

The data is accompanied by DCI and FRAME signals. The DCI signal is a reference bit that is used to generate a double data rate (DDR) clock. The FRAME signal is required for controlling to which DAC the data is sent. All of the interface signals can be time aligned, so there is a maximum skew requirement on the bus. In some cases, it is best to delay the DCI signal for optimum timing.

BYTE INTERFACE MODE

In byte mode, the DCI signal is a reference bit used to generate the data sampling clock and should be time aligned with the data. The most significant byte of the data should correspond to DCI high, and the least significant byte of the data should correspond to DCI low. The FRAME signal indicates to which DAC the data is sent. When FRAME is high, data is sent to the I DAC; when FRAME is low, data is sent to the Q DAC. The complete timing diagram is shown in Figure 30.

NIBBLE INTERFACE MODE

In nibble mode, the DCI signal is a reference bit used to generate the data sampling clock and should be time aligned with the data. The FRAME signal indicates to which DAC the data is sent.

When FRAME is high, data is sent to the I DAC; when FRAME is low, data is sent to the Q DAC. All four nibbles must be written to the device for proper operation. For 12-bit resolution devices, the data in the fourth nibble acts as a placeholder for the data framing structure. The complete timing diagram is shown in Figure 31.

FIFO OPERATION

The AD9146 contains a 2-channel, 16-bit wide, eight-word deep FIFO designed to relax the timing relationship between the data arriving at the DAC input ports and the internal DAC data rate clock. The FIFO acts as a buffer that absorbs timing variations between the data source and the DAC, such as the clock-to-data variation of an FPGA or ASIC, which significantly increases the timing budget of the interface.

Figure 32 shows the block diagram of the datapath through the FIFO. The data is latched into the device, is formatted, and is then written into the FIFO register determined by the FIFO write pointer. The value of the write pointer is incremented every time a new word is loaded into the FIFO. Meanwhile, data is read from the FIFO register determined by the read pointer and fed into the digital datapath. The value of the read pointer is incremented every time data is read into the datapath from the FIFO. The FIFO pointers are incremented at the data rate (DACCLK rate divided by the interpolation ratio).

Valid data is transmitted through the FIFO as long as the FIFO does not overflow or become empty. An overflow or empty condition of the FIFO occurs when the write pointer and read pointer point to the same FIFO location. This simultaneous access of data leads to unreliable data transfer through the FIFO and must be avoided.

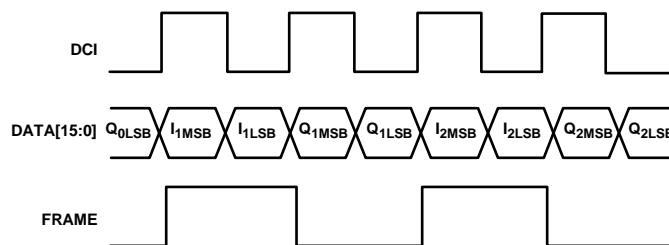


Figure 30. Timing Diagram for Byte Mode

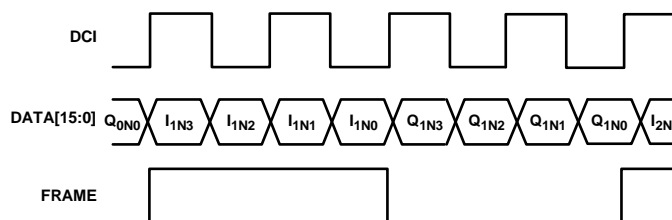


Figure 31. Timing Diagram for Nibble Mode

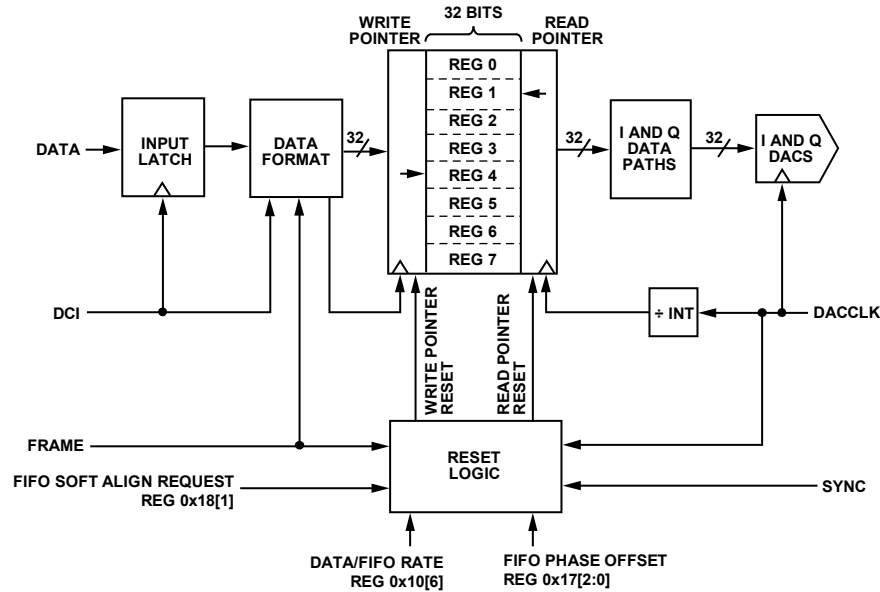


Figure 32. Block Diagram of FIFO

Nominally, data is written to and read from the FIFO at the same rate. This keeps the FIFO depth constant. If data is written to the FIFO faster than data is read out, the FIFO depth increases. If data is read out of the FIFO faster than data is written to it, the FIFO depth decreases. For optimum timing margin, the FIFO depth should be maintained near half full (a difference of 4 between the write pointer and read pointer values). The FIFO depth represents the FIFO pipeline delay and is part of the overall latency of the AD9146.

Resetting the FIFO

When the AD9146 is powered on, the FIFO depth is unknown. To avoid a concurrent read and write to the same FIFO address and to ensure a fixed pipeline delay, it is important to reset the FIFO pointers to known states. The FIFO pointers can be initialized in two ways: via a write sequence to the serial port or by strobing the FRAME input.

There are two types of FIFO reset: a relative reset and an absolute reset. A relative reset enforces a defined FIFO depth. An absolute reset enforces a particular write pointer value when the reset is initiated. A serial port initiated FIFO reset is always a relative reset. A FRAME strobe initiated reset can be either a relative or an absolute reset.

The operation of the FRAME initiated FIFO reset depends on the synchronization mode chosen.

- When synchronization is disabled or when it is configured for data rate mode synchronization, the FRAME strobe initiates a relative FIFO reset. The reference point of the relative reset is the position of the read pointer.
- When FIFO mode synchronization is chosen, the FRAME strobe initiates an absolute FIFO reset.

For more information about the synchronization function, see the Multichip Synchronization section.

A summary of the synchronization modes and the types of FIFO reset used is provided in Table 13.

Table 13. Summary of FIFO Resets

| FIFO Reset Signal | Synchronization Mode | | |
|-------------------|----------------------|-----------|------------|
| | Disabled | Data Rate | FIFO Reset |
| Serial Port | Relative | Relative | Relative |
| FRAME | Relative | Relative | Absolute |

For a FRAME dependent FIFO reset to occur, an extended FRAME pulse must be sent to the part for proper operation. The extended FRAME pulse must be asserted high for an entire I and Q DAC data sample load. This corresponds to four data clock samples in byte mode and eight data clock samples in nibble mode (see Figure 33 and Figure 34, respectively).

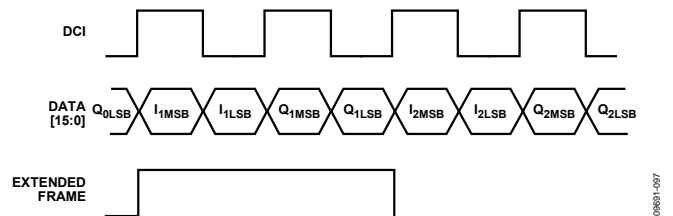


Figure 33. Timing Diagram for Extended Frame Pulse (Byte Mode)

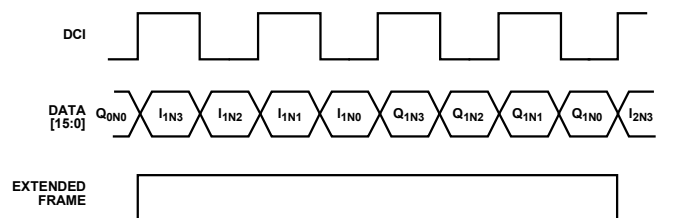


Figure 34. Timing Diagram for Extended Frame Pulse (Nibble Mode)

Serial Port Initiated FIFO Reset

A serial port initiated FIFO reset can be issued in any mode and always results in a relative FIFO reset. To initialize the FIFO data level through the serial port, Bit 1 of Register 0x18 should be toggled from 0 to 1 and back. When the write to this register is complete, the FIFO data level is initialized. When the initialization is triggered, the next time that the read pointer becomes 0, the write pointer is set to the value of the FIFO start level variable (Register 0x17, Bits[2:0]) upon initialization. By default, this value is 4, but it can be programmed to a value from 0 to 7.

The recommended procedure for a serial port FIFO data level initialization is as follows:

1. Program Register 0x17 to 0x05.
2. Request FIFO level reset by setting Register 0x18, Bit 1, to 1.
3. Verify that the part acknowledges the request by ensuring that Register 0x18, Bit 2, is set to 1.
4. Remove the request by setting Register 0x18, Bit 1, to 0.
5. Verify that the part drops the acknowledge signal by ensuring that Register 0x18, Bit 2, is set to 0.
6. Read back Register 0x19 to verify that the pointer spacing is set to 3 (0x07) or 4 (0x0F).
7. If the readback of Register 0x19 shows a pointer spacing of 2 (0x03), increment Register 0x17 to a spacing of 0x06 and repeat Step 2 through Step 5. Read back Register 0x19 again to verify that the pointer spacing is now set to 3 (0x07).
8. If the readback of Register 0x19 shows a pointer spacing of 5 (0x1F) after Step 6, decrement Register 0x17 to a spacing of 0x04 and repeat Step 2 through Step 5. Read back Register 0x19 again to verify that the pointer spacing is now set to 4 (0x0F).

FRAME Initiated Relative FIFO Reset

The primary function of the FRAME input is to indicate to which DAC the input data is written. Another function of the FRAME input is to initialize the FIFO data level value. This is done by asserting the FRAME signal high for at least the time interval required to load complete data to the I and Q DACs. This corresponds to four DCI periods in byte mode and eight DCI periods in nibble mode.

To initiate a relative FIFO reset with the FRAME signal, the device must be configured in data rate mode (Register 0x10, Bit 6 = 1). When FRAME is asserted in data rate mode, the write pointer is set to 4 by default (or to the FIFO start level) the next time that the read pointer becomes 0 (see Figure 35).

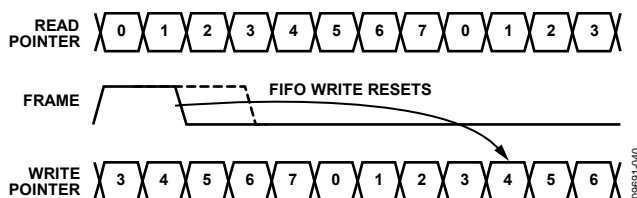


Figure 35. FRAME Input vs. Write Pointer Value, Data Rate Mode

FRAME Initiated Absolute FIFO Reset

In FIFO rate synchronization mode, the write pointer of the FIFO is reset in an absolute manner. The synchronization signal aligns the internal clocks on the part to a common reference clock so that the pipeline delay in the digital circuit stays the same during power cycles. The synchronization signal is sampled by the DAC clock in the AD9146. The edge of the DAC clock used to sample the synchronization signal is selected by Bit 3 of Register 0x10.

The FRAME signal is used to reset the FIFO write pointer. In the FIFO rate synchronization mode, the FIFO write pointer is reset immediately after the FRAME signal is asserted high for at least the time interval required to load complete data to the I and Q DACs. The FIFO write pointer is reset to the value of the FIFO Phase Offset[2:0] bits in Register 0x17. FIFO rate synchronization is selected by setting Bit 6 of Register 0x10 to 0.

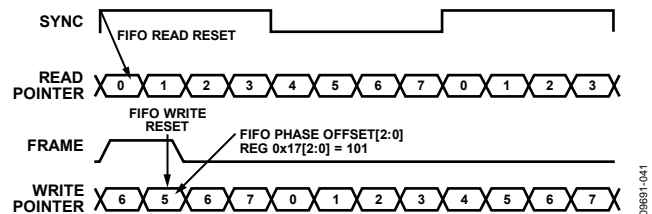


Figure 36. FRAME Input vs. Write Pointer Value, FIFO Rate Mode

Monitoring the FIFO Status

The FIFO initialization and status can be read from Register 0x18. This register provides information about the FIFO status and whether the initialization was successful. The MSB of Register 0x18 is a FIFO warning flag that can optionally trigger a device $\overline{\text{IRQ}}$. This flag indicates that the FIFO is close to emptying (FIFO level is 1) or overflowing (FIFO level is 7). In this case, data may soon be corrupted, and action should be taken.

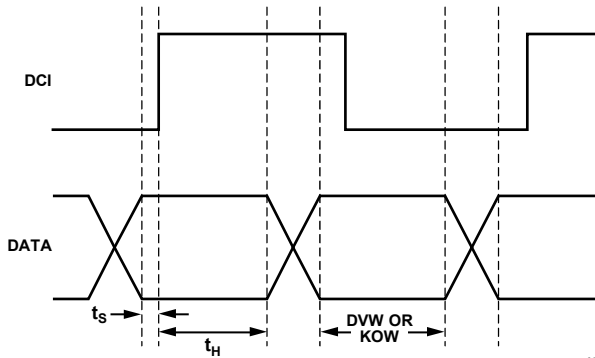
The FIFO data level can be read from Register 0x19 at any time. The serial port reported FIFO data level is denoted as a 7-bit thermometer code (Base 1 code) of the write counter state relative to the absolute read counter being at 0. The optimum FIFO data level of 4 is therefore reported as a value of 00001111 in the status register.

Note that, depending on the timing relationship between the DCI and the main DACCLK, the FIFO level value can be off by a ± 1 count; that is, the readback of Register 0x19 can be 00011111 in the case of a +1 count and 00000111 in the case of a -1 count. Therefore, it is important to keep the difference between the read and write pointers to a value of at least 2.

INTERFACE TIMING

The timing diagram for the digital interface port is shown in Figure 37. When Register 0x16, Bits[2:0] are set to 000, the sampling point of the data bus nominally occurs 165 ps after each edge of the DCI signal and has an uncertainty of ± 285 ps, as illustrated by the data valid window shown in Figure 37. The data and FRAME signals must be valid throughout this window. The data and FRAME signals may change at any time between data valid windows.

The setup (t_s) and hold (t_h) times, with respect to the edges, are shown in Figure 37. The minimum setup and hold times are shown in Table 14.



NOTES
1. DVW = DATA VALID WINDOW. KOW = KEEP OUT WINDOW.

Figure 37. Timing Diagram for Input Data Port

Table 14. Data to DCI Setup and Hold Times

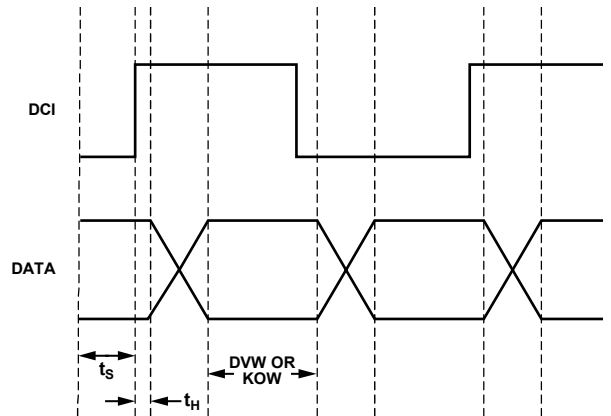
| DCI Delay Register 0x16, Bits[1:0] | Minimum Setup Time, t_s (ns) | Minimum Hold Time, t_h (ns) | Sampling Interval (ns) |
|------------------------------------|--------------------------------|-------------------------------|------------------------|
| 00 | 0.12 | 0.45 | 0.57 |
| 01 | -0.01 | 0.74 | 0.73 |
| 10 | -0.2 | 1.03 | 0.83 |
| 11 | -0.28 | 1.16 | 0.88 |

Bypass DCI Delay Mode

An additional option for the timing of the data, DCI, and FRAME signals requires the DCI to be delayed by 90° ahead of the data and FRAME signals. In bypass DCI delay mode, the DCI signal is placed in the optimal data valid window outside the part, and the delay circuitry inside the part is bypassed. This mode provides a smaller sampling window that allows for a wider range of placement area for correct sampling edges. The bypass DCI delay mode is enabled by setting Bit 2 in Register 0x16 to 1. The sampling point of the data bus nominally occurs 90 ps before each edge of the DCI signal and has an uncertainty of ± 180 ps, as illustrated by the sampling interval shown in Figure 38. The resulting setup and hold times for this mode are as follows:

- Minimum setup time (t_s): 0.27 ns
- Minimum hold time (t_h): 0.09 ns
- Sampling interval: 0.36 ns

Figure 38 shows the timing for the bypass DCI delay mode.



NOTES
1. DVW = DATA VALID WINDOW. KOW = KEEP OUT WINDOW.

Figure 38. Timing Diagram for Input Data Port (Bypass DCI Delay Mode)

The data interface timing can be verified using the sample error detection (SED) circuitry. See the Interface Timing Validation section for more information.

DIGITAL DATAPATH

The block diagram in Figure 39 shows the functionality of the digital datapath. The digital processing includes a premodulation block, two half-band (HB) interpolation filters, phase and offset adjustment blocks, and an inverse sinc filter.

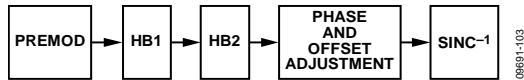


Figure 39. Block Diagram of Digital Datapath

The digital datapath accepts I and Q data streams and processes them as a quadrature data stream. The signal processing blocks can be used when the input data stream is represented as complex data.

The digital datapath can also be used to process an input data stream representing two independent real data streams, but the functionality is somewhat restricted. The premodulation block and any of the nonshifted interpolation filter modes can be used for an input data stream representing two independent real data streams. See the Coarse Modulation Mixing Sequences section for more information.

PREMODULATION

The half-band interpolation filters have selectable pass bands that allow the center frequencies to be moved in increments of one-half their input data rate. The premodulation block provides a digital upconversion of the incoming waveform by one-half the incoming data rate, f_{DATA} . This can be used to frequency-shift base-band input data to the center of the interpolation filter pass band.

INTERPOLATION FILTERS

The transmit path contains two interpolation filters. Both interpolation filters provide a $2\times$ increase in output data rate. The half-band (HB) filters can be individually bypassed or cascaded to provide $1\times$, $2\times$, or $4\times$ interpolation ratios. Each half-band filter stage offers a different combination of bandwidths and operating modes.

The bandwidth of the two half-band filters with respect to the data rate at the filter input is as follows:

- Bandwidth of HB1 = $0.8 \times f_{IN1}$
- Bandwidth of HB2 = $0.5 \times f_{IN2}$

The usable bandwidth is defined as the frequency over which the filters have a pass-band ripple of less than ± 0.001 dB and an image rejection of greater than +85 dB. As described in the Half-Band Filter 1 (HB1) section, the image rejection usually sets the usable bandwidth of the filter, not the pass-band flatness.

The half-band filters operate in several modes, providing programmable pass-band center frequencies as well as signal modulation. The HB1 filter has four modes of operation, and the HB2 filter has eight modes of operation.

Half-Band Filter 1 (HB1)

HB1 has four modes of operation, as shown in Figure 40. The shape of the filter response is identical in each of the four modes. The four modes are distinguished by two factors: the filter center frequency and whether the input signal is modulated by the filter.

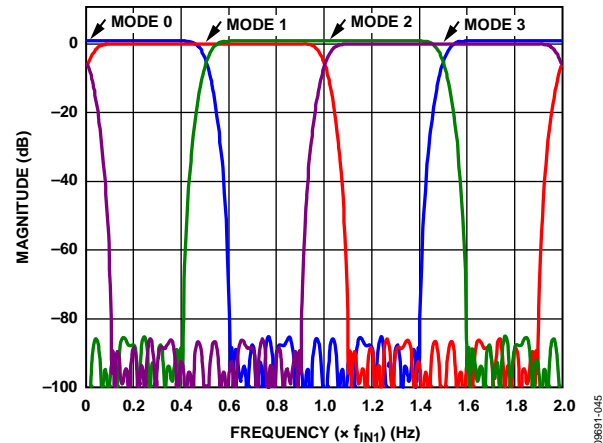


Figure 40. HB1 Filter Modes

As shown in Figure 40, the center frequency in each mode is offset by one-half the input data rate (f_{IN1}) of the filter. Mode 0 and Mode 1 do not modulate the input signal. Mode 2 and Mode 3 modulate the input signal by f_{IN1} . When operating in Mode 0 and Mode 2, the I and Q paths operate independently and no mixing of the data between channels occurs. When operating in Mode 1 and Mode 3, mixing of the data between the I and Q paths occurs; therefore, the data input into the filter is assumed to be complex. Table 15 summarizes the HB1 modes.

Table 15. HB1 Filter Modes

| Mode | f_{CENTER} | f_{MOD} | Input Data |
|------|--------------|-----------|-----------------|
| 0 | DC | None | Real or complex |
| 1 | $f_{IN}/2$ | None | Complex |
| 2 | f_{IN} | f_{IN} | Real or complex |
| 3 | $3f_{IN}/2$ | f_{IN} | Complex |

Figure 41 shows the pass-band filter response for HB1. In most applications, the usable bandwidth of the filter is limited by the image suppression provided by the stop-band rejection and not by the pass-band flatness. Table 16 shows the pass-band flatness and the stop-band rejection supported by the HB1 filter at different bandwidths.

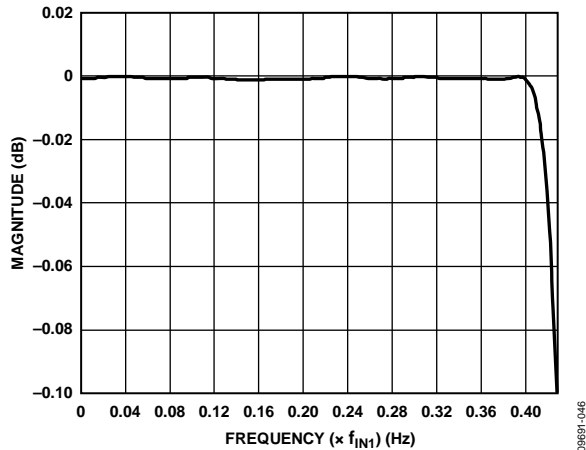


Figure 41. Pass-Band Detail of HB1

Table 16. HB1 Pass-Band and Stop-Band Performance by Bandwidth

| Bandwidth (% of f_{IN1}) | Pass-Band Flatness (dB) | Stop-Band Rejection (dB) |
|-----------------------------|-------------------------|--------------------------|
| 80 | 0.001 | 85 |
| 80.4 | 0.0012 | 80 |
| 81.2 | 0.0033 | 70 |
| 82 | 0.0076 | 60 |
| 83.6 | 0.0271 | 50 |
| 85.6 | 0.1096 | 40 |

Half-Band Filter 2 (HB2)

HB2 has eight modes of operation, as shown in Figure 42 and Figure 43. The shape of the filter response is identical in each of the eight modes. The eight modes are distinguished by two factors: the filter center frequency and whether the input signal is modulated by the filter.

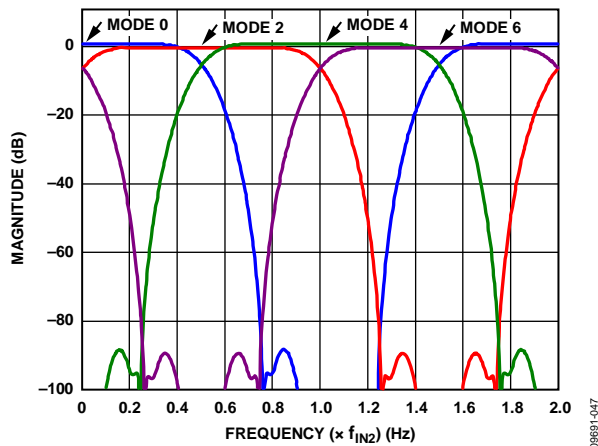


Figure 42. HB2, Even Filter Modes

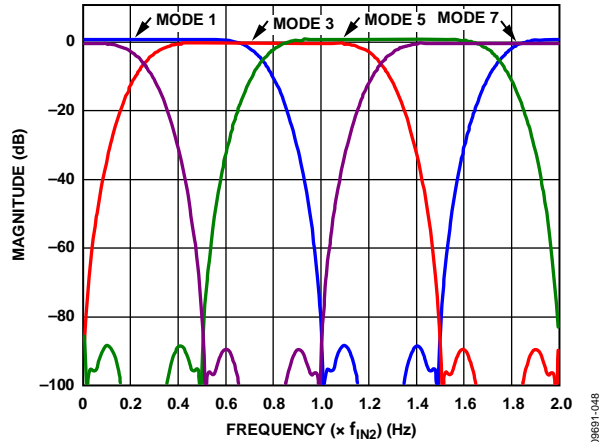


Figure 43. HB2, Odd Filter Modes

As shown in Figure 42 and Figure 43, the center frequency in each mode is offset by one-fourth the input data rate (f_{IN2}) of the filter. Mode 0 through Mode 3 do not modulate the input signal. Mode 4 through Mode 7 modulate the input signal by f_{IN2} . When operating in Mode 0 and Mode 4, the I and Q paths operate independently and no mixing of the data between channels occurs. When operating in the other six modes, mixing of the data between the I and Q paths occurs; therefore, the data input to the filter is assumed to be complex. Table 17 summarizes the HB2 modes.

Table 17. HB2 Filter Modes

| Mode | f_{CENTER} | f_{MOD} | Input Data |
|------|--------------|-----------|-----------------|
| 0 | DC | None | Real or complex |
| 1 | $f_{IN}/4$ | None | Complex |
| 2 | $f_{IN}/2$ | None | Complex |
| 3 | $3f_{IN}/4$ | None | Complex |
| 4 | f_{IN} | f_{IN} | Real or complex |
| 5 | $5f_{IN}/4$ | f_{IN} | Complex |
| 6 | $3f_{IN}/2$ | f_{IN} | Complex |
| 7 | $7f_{IN}/4$ | f_{IN} | Complex |

Figure 44 shows the pass-band filter response for HB2. In most applications, the usable bandwidth of the filter is limited by the image suppression provided by the stop-band rejection and not by the pass-band flatness. Table 18 shows the pass-band flatness and stop-band rejection supported by the HB2 filter at different bandwidths.

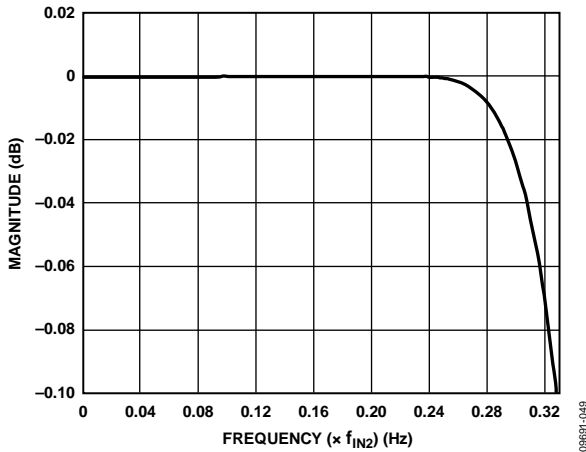


Figure 44. Pass-Band Detail of HB2

Table 18. HB2 Pass-Band and Stop-Band Performance by Bandwidth

| Bandwidth (% of f_{IN2}) | Pass-Band Flatness (dB) | Stop-Band Rejection (dB) |
|-----------------------------|-------------------------|--------------------------|
| 50 | 0.001 | 85 |
| 50.8 | 0.0012 | 80 |
| 52.8 | 0.0028 | 70 |
| 56 | 0.0089 | 60 |
| 60 | 0.0287 | 50 |
| 64.8 | 0.1877 | 40 |

DATAPATH CONFIGURATION

Configuring the AD9146 datapath starts with the application requirements of the input data rate, the interpolation ratio, the output signal bandwidth, and the output signal center frequency. Given these four parameters, the first step in configuring the datapath is to verify that the device supports the bandwidth requirements. The modes of the interpolation filters are then chosen.

DETERMINING INTERPOLATION FILTER MODES

Table 19 shows the recommended interpolation filter settings for a variety of filter interpolation factors, filter center frequencies, and signal modulation. The interpolation modes were chosen based on the final center frequency of the signal and by determining the frequency shift of the signal required. When these parameters are known and put in terms of the input data rate (f_{DATA}), the filter configuration that comes closest to matching is selected from Table 19.

Table 19. Recommended Interpolation Filter Modes (Register 0x1C and Register 0x1D)

| Interpolation Factor | Filter Modes | | f_{SIGNAL} Modulation | f_{CENTER} Shift |
|----------------------|--------------|----------|--------------------------------|---------------------------|
| | HB1[1:0] | HB2[5:0] | | |
| 4 | 00 (Mode 0) | 000000 | DC | 0 |
| 4 | 01 (Mode 1) | 001001 | DC ¹ | $f_{\text{DATA}}/2$ |
| 4 | 10 (Mode 2) | 010010 | f_{DATA} | f_{DATA} |
| 4 | 11 (Mode 3) | 011011 | f_{DATA}^1 | $3f_{\text{DATA}}/2$ |
| 4 | 00 (Mode 0) | 100100 | $2f_{\text{DATA}}$ | $2f_{\text{DATA}}$ |
| 4 | 01 (Mode 1) | 101101 | $2f_{\text{DATA}}^1$ | $5f_{\text{DATA}}/2$ |
| 4 | 10 (Mode 2) | 110110 | $3f_{\text{DATA}}$ | $3f_{\text{DATA}}$ |
| 4 | 11 (Mode 3) | 111111 | $3f_{\text{DATA}}^1$ | $7f_{\text{DATA}}/2$ |
| 2 | 00 (Mode 0) | Bypass | DC | 0 |
| 2 | 01 (Mode 1) | Bypass | DC ¹ | $f_{\text{DATA}}/2$ |
| 2 | 10 (Mode 2) | Bypass | f_{DATA} | f_{DATA} |
| 2 | 11 (Mode 3) | Bypass | f_{DATA}^1 | $3f_{\text{DATA}}/2$ |

¹ When HB1 Mode 1 or Mode 3 is used, enabling premodulation provides an additional frequency translation of the input signal by $f_{\text{DATA}}/2$, which centers a baseband input signal in the filter pass band.

COARSE MODULATION MIXING SEQUENCES

The coarse digital quadrature modulation occurs within the interpolation filters. The modulation shifts the frequency spectrum of the incoming data by the frequency offset selected. The frequency offsets available are multiples of the input data rate. The modulation is equivalent to multiplying the quadrature input signal by a complex carrier signal, $C(t)$, of the form

$$C(t) = \cos(\omega_c t) + j \sin(\omega_c t)$$

In practice, this modulation results in the mixing functions shown in Table 20.

Table 20. Modulation Mixing Sequences

| Modulation | Mixing Sequence |
|------------|--|
| $f_s/2$ | I = I, -I, I, -I, ... Q = Q, -Q, Q, -Q, ... |
| $f_s/4$ | I = I, Q, -I, -Q, ... Q = Q, -I, -Q, I, ... |
| $3f_s/4$ | I = I, -Q, -I, Q, ... Q = Q, I, -Q, -I, ... |
| $f_s/8$ | I = I, r(I + Q), Q, r(-I + Q), -I, -r(I + Q), -Q, r(I - Q), ... Q = Q, r(Q - I), -I, -r(Q + I), -Q, r(-Q + I), I, r(Q + I), ... |

Note that $r = \frac{\sqrt{2}}{2}$

As shown in Table 20, the mixing functions of most of the modes cross-couple samples between the I and Q channels. The I and Q channels operate independently only in $f_s/2$ mode. This means that real modulation using both the I and Q DAC outputs can only be done in $f_s/2$ mode. All other modulation modes require complex input data and produce complex output signals.

QUADRATURE PHASE CORRECTION

The purpose of the quadrature phase correction block is to enable compensation of the phase imbalance of the analog quadrature modulator following the DAC. If the quadrature modulator has a phase imbalance, the unwanted sideband appears with significant energy. Tuning the quadrature phase adjust value can optimize image rejection in single sideband radios.

Ordinarily, the I and Q channels have an angle of precisely 90° between them. The quadrature phase adjustment is used to change the angle between the I and Q channels. When I Phase Adj[9:0] (Register 0x38 and Register 0x39) is set to 1000000000, the I DAC output moves approximately 1.75° away from the Q DAC output, creating an angle of 91.75° between the channels. When I Phase Adj[9:0] is set to 0111111111, the I DAC output moves approximately 1.75° toward the Q DAC output, creating an angle of 88.25° between the channels.

Q Phase Adj[9:0] (Register 0x3A and Register 0x3B) works in a similar fashion. When Q Phase Adj[9:0] is set to 1000000000, the Q DAC output moves approximately 1.75° away from the I DAC output, creating an angle of 91.75° between the channels. When Q Phase Adj[9:0] is set to 0111111111, the Q DAC output moves approximately 1.75° toward the I DAC output, creating an angle of 88.25° between the channels.

Based on these two endpoints, the combined resolution of the phase compensation register is approximately 3.5°/1024 or 0.00342° per code.

DC OFFSET CORRECTION

The dc value of the I datapath and the Q datapath can be independently controlled by adjusting the I DAC Offset[15:0] and Q DAC Offset[15:0] values in Register 0x3C through Register 0x3F. These values are added directly to the datapath values. Care should be taken not to overrange the transmitted values.

Figure 45 shows how the DAC offset current varies as a function of the I DAC Offset[15:0] and Q DAC Offset[15:0] values. With the digital inputs fixed at midscale (0x0000, twos complement data format), Figure 45 shows the nominal I_{OUTXP} and I_{OUTXN} currents as the DAC offset value is swept from 0 to 65,535. Because I_{OUTXP} and I_{OUTXN} are complementary current outputs, the sum of I_{OUTXP} and I_{OUTXN} is always 20 mA.

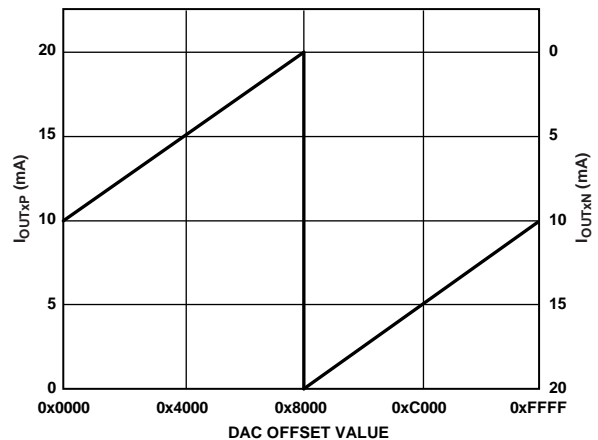


Figure 45. DAC Output Currents vs. DAC Offset Value

INVERSE SINC FILTER

The inverse sinc (sinc^{-1}) filter is a nine-tap FIR filter. The composite response of the sinc^{-1} filter and the $\sin(x)/x$ response of the DAC is shown in Figure 46. The composite response has a pass-band ripple of less than ± 0.05 dB up to a frequency of $0.4 \times f_{\text{DACCLK}}$. To provide the necessary peaking at the upper end of the pass band, the inverse sinc filters shown have an intrinsic insertion loss of about 3.2 dB. Figure 46 shows the composite frequency response.

The sinc^{-1} filter is disabled by default. It can be enabled by setting the bypass sinc^{-1} bit to 0 (Register 0x1B, Bit 6).

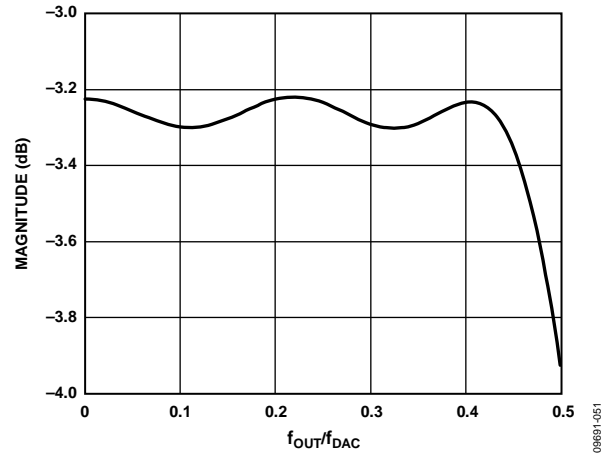


Figure 46. Sample Composite Responses of the Sinc^{-1} Filter with $\sin(x)/x$ Roll-Off

DAC INPUT CLOCK CONFIGURATIONS

The AD9146 DAC sampling clock (DACCLK) can be sourced directly or by clock multiplying. Clock multiplying uses the on-chip phase-locked loop (PLL), which accepts a reference clock operating at a submultiple of the desired DACCLK rate, most commonly the data input frequency. The PLL then multiplies the reference clock up to the desired DACCLK frequency, which can then be used to generate all the internal clocks required by the DAC. The clock multiplier provides a high quality clock that meets the performance requirements of most applications. Using the on-chip clock multiplier eliminates the need to generate and distribute the high speed DACCLK.

The second mode bypasses the clock multiplier circuitry and allows the DACCLK to be sourced directly to the DAC core. This mode enables the user to source a very high quality clock directly to the DAC core. Sourcing the DACCLK directly through the REFCLKP, REFCLKN, DACCLKP, and DACCLKN pins may be necessary in demanding applications that require the lowest possible DAC output noise, particularly when directly synthesizing signals above 150 MHz.

DRIVING THE DACCLK AND REFCLK INPUTS

The differential DACCLK and REFCLK inputs share similar clock receiver input circuitry. Figure 47 shows a simplified circuit diagram of the inputs. The on-chip clock receiver has a differential input impedance of about 10 kΩ. It is self-biased to a common-mode voltage of about 1.25 V. The inputs can be driven by direct coupling differential PECL or LVDS drivers. The inputs can also be ac-coupled if the driving source cannot meet the input compliance voltage of the receiver.

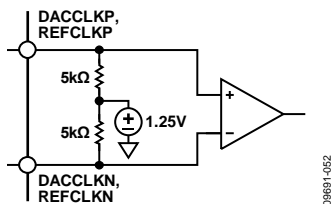


Figure 47. Clock Receiver Input Simplified Equivalent Circuit

The minimum input drive level to either of the clock inputs is 100 mV p-p differential. The optimal performance is achieved

when the clock input signal is between 800 mV p-p differential and 1.6 V p-p differential. Whether using the on-chip clock multiplier or sourcing the DACCLK directly, it is necessary that the input clock signal to the device have low jitter and fast edge rates to optimize the DAC noise performance.

DIRECT CLOCKING

Direct clocking with a low noise clock produces the lowest noise spectral density at the DAC outputs. To select the differential CLK inputs as the source for the DAC sampling clock, set the PLL enable bit (Register 0x0A, Bit 7) to 0. This powers down the internal PLL clock multiplier and selects the input from the DACCLKP and DACCLKN pins as the source for the internal DAC sampling clock.

The device also has duty cycle correction circuitry and differential input level correction circuitry. Enabling these circuits can provide improved performance in some cases. The control bits for these functions are in Register 0x08 (see Table 11).

CLOCK MULTIPLICATION

The on-chip PLL clock multiplication circuit can be used to generate the DAC sampling clock from a lower frequency reference clock. When the PLL enable bit (Register 0x0A, Bit 7) is set to 1, the clock multiplication circuit generates the DAC sampling clock from the lower rate REFCLK input. The functional diagram of the clock multiplier is shown in Figure 48.

The clock multiplication circuit operates such that the VCO outputs a frequency, f_{VCO} , equal to the REFCLK input signal frequency multiplied by $N1 \times N0$.

$$f_{VCO} = f_{REFCLK} \times (N1 \times N0)$$

The DAC sampling clock frequency, f_{DACCLK} , is equal to

$$f_{DACCLK} = f_{REFCLK} \times N1$$

The output frequency of the VCO must be chosen to keep f_{VCO} in the optimal operating range of 1.0 GHz to 2.1 GHz. The frequency of the reference clock and the values of $N1$ and $N0$ must be chosen so that the desired DACCLK frequency can be synthesized and the VCO output frequency is in the correct range.

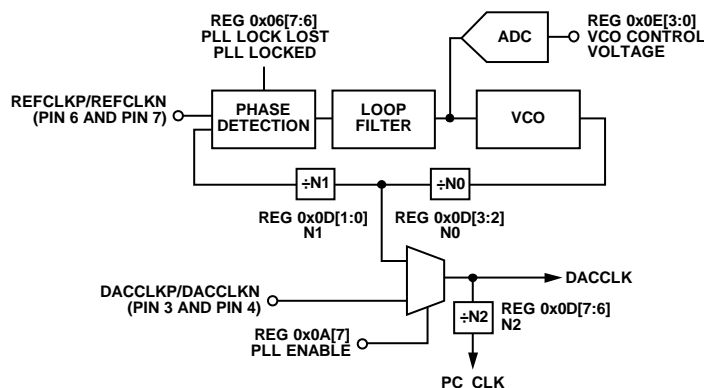


Figure 48. PLL Clock Multiplication Circuit

PLL SETTINGS

Three settings for the PLL circuitry should be programmed to their nominal values. The PLL values shown in Table 21 are the recommended settings for these parameters.

Table 21. PLL Settings

| PLL Control Register | Register Address | Bits | Optimal Setting |
|------------------------------|------------------|-------|-----------------|
| PLL Loop Bandwidth[1:0] | 0x0C | [7:6] | 11 |
| PLL Charge Pump Current[4:0] | 0x0C | [4:0] | 10001 |
| PLL Cross-Control Enable | 0x0D | 4 | 1 |

CONFIGURING THE VCO TUNING BAND

The PLL VCO has a valid operating range from approximately 1.0 GHz to 2.1 GHz covered in 63 overlapping frequency bands. For any desired VCO output frequency, there may be several valid PLL band select values. The frequency bands of a typical device are shown in Figure 49. Device-to-device variations and operating temperature affect the actual band frequency range. Therefore, it is required that the optimal PLL band select value be determined for each individual device.

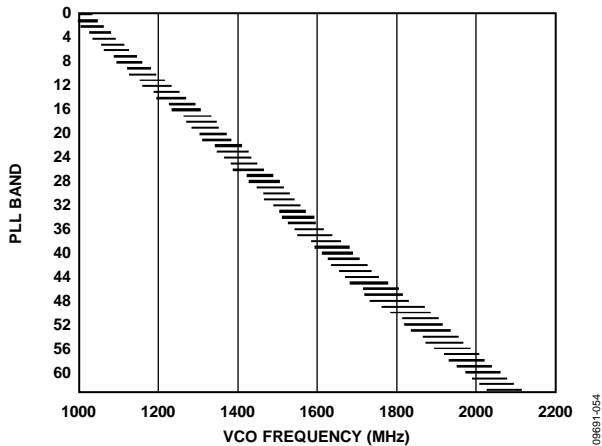


Figure 49. PLL Lock Range over Temperature for a Typical Device

Automatic VCO Band Select

The device has an automatic VCO band select feature on chip. Using the automatic VCO band select feature is a simple and reliable method of configuring the VCO frequency band. This feature is enabled by starting the PLL in manual mode, then placing the PLL in auto band select mode. This is done by setting Register 0x0A to a value of 0xCF, then to a value of 0xA0. When these values are written, the device executes an automated routine that determines the optimal VCO band setting for the device. The setting selected by the device ensures that the PLL remains locked over the full -40°C to $+85^{\circ}\text{C}$ operating temperature range of the device without further adjustment. (The PLL remains locked over the full temperature range even if the temperature during initialization is at one of the temperature extremes.)

Manual VCO Band Select

The device also has a manual band select mode (PLL manual enable, Register 0x0A, Bit 6 = 1) that allows the user to select the VCO tuning band. In manual mode, the VCO band is set directly with the value written to the manual VCO band bits (Register 0x0A, Bits[5:0]). To properly select the VCO band, follow these steps:

1. Put the device in manual band select mode by setting Register 0x0A, Bit 6 = 1.
2. Sweep the VCO band over a range of bands that results in the PLL being locked.
3. For each band, verify that the PLL is locked and read the PLL using the VCO control voltage bits (Register 0x0E, Bits[3:0]).
4. Select the band that results in the control voltage being closest to the center of the range, that is, 1001 or 1000 (see Table 22). The resulting VCO band should be the optimal setting for the device. Write this value to the manual VCO band bits (Register 0x0A, Bits[5:0]).
5. If desired, an indication of where the VCO is within the operating frequency band can be determined by querying the VCO control voltage. Table 22 shows how to interpret the PLL VCO control voltage value (Register 0x0E, Bits[3:0]).

Table 22. VCO Control Voltage Range Indications

| VCO Control Voltage (Register 0x0E, Bits[3:0]) | Indication |
|--|---|
| 1111 | Move to higher VCO band |
| 1110 | |
| 1101 | VCO is operating in the higher end of the frequency band |
| 1100 | |
| 1011 | |
| 1010 | |
| 1001 | VCO is operating within an optimal region of the frequency band |
| 1000 | |
| 0111 | |
| 0110 | |
| 0101 | |
| 0100 | |
| 0011 | VCO is operating in the lower end of the frequency band |
| 0010 | |
| 0001 | |
| 0000 | |
| 0000 | Move to lower VCO band |

ANALOG OUTPUTS

TRANSMIT DAC OPERATION

Figure 50 shows a simplified block diagram of the transmit path DACs. The DAC core consists of a current source array, a switch core, digital control logic, and full-scale output current control. The DAC full-scale output current (I_{FS}) is nominally 20 mA. The output currents from the IOUT1P/IOUT2P and IOUT1N/IOUT2N pins are complementary, meaning that the sum of the two currents always equals the full-scale current of the DAC. The digital input code to the DAC determines the effective differential current delivered to the load.

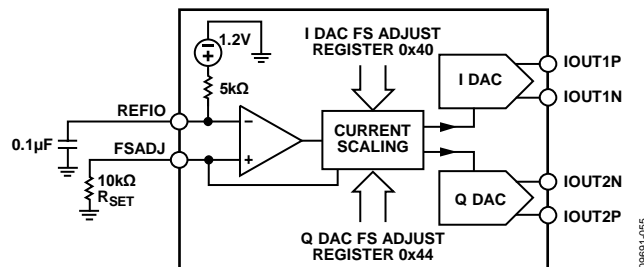


Figure 50. Simplified Block Diagram of DAC Core

The DAC has a 1.2 V band gap reference with an output impedance of 5 k Ω . The reference output voltage appears on the REFIO pin. When using the internal reference, decouple the REFIO pin to AVSS with a 0.1 μ F capacitor. Use the internal reference only for external circuits that draw dc currents of 2 μ A or less. For dynamic loads or static loads greater than 2 μ A, buffer the REFIO pin. If desired, the internal reference can be overdriven by applying an external reference (from 1.10 V to 1.30 V) to the REFIO pin.

A 10 k Ω external resistor, R_{SET} , must be connected from the FSADJ pin to AVSS. This resistor, along with the reference control amplifier, sets up the correct internal bias currents for the DAC. Because the full-scale current is inversely proportional to this resistor, the tolerance of R_{SET} is reflected in the full-scale output amplitude.

The full-scale current equation, where the DAC gain is set individually for the I and Q DACs in Register 0x40 and Register 0x44, respectively, is as follows:

$$I_{FS} = \frac{V_{REF}}{R_{SET}} \times \left(72 + \left(\frac{3}{16} \times DAC \text{ gain} \right) \right)$$

For the nominal values of V_{REF} (1.2 V), R_{SET} (10 k Ω), and DAC gain (512), the full-scale current of the DAC is typically 20.16 mA. The DAC full-scale current can be adjusted from 8.64 mA to 31.68 mA by setting the DAC gain parameter, as shown in Figure 51.

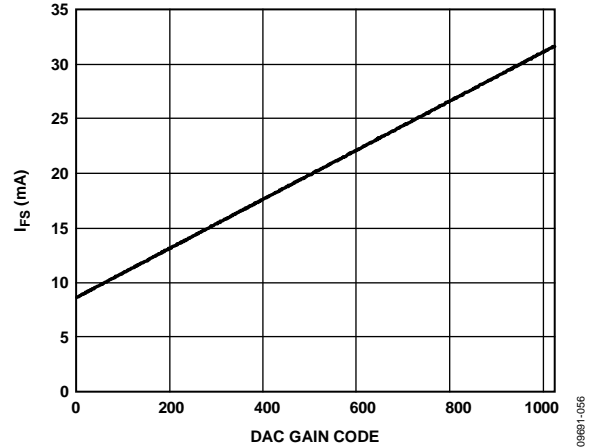


Figure 51. DAC Full-Scale Current vs. DAC Gain Code

Transmit DAC Transfer Function

The output currents from the IOUT1P/IOUT2P and IOUT1N/IOUT2N pins are complementary, meaning that the sum of the two currents always equals the full-scale current of the DAC. The digital input code to the DAC determines the effective differential current delivered to the load. IOUT1P/IOUT2P provide maximum output current when all bits are high. The output currents vs. DACCODE for the DAC outputs are expressed as

$$I_{OUTxP} = \left[\frac{DACCODE}{2^N} \right] \times I_{FS} \quad (1)$$

$$I_{OUTxN} = I_{FS} - I_{OUTxP} \quad (2)$$

where $DACCODE = 0$ to $2^N - 1$.

Transmit DAC Output Configurations

The optimum noise and distortion performance of the AD9146 is realized when it is configured for differential operation. The common-mode error sources of the DAC outputs are significantly reduced by the common-mode rejection of a transformer or differential amplifier. These common-mode error sources include even-order distortion products and noise. The enhancement in distortion performance becomes more significant as the frequency content of the reconstructed waveform increases and/or its amplitude increases. This is due to the first-order cancellation of various dynamic common-mode distortion mechanisms, digital feed-through, and noise.

Figure 52 shows the most basic transmit DAC output circuitry. A pair of resistors, R_O , is used to convert each of the complementary output currents to a differential voltage output, V_{OUT} . Because the current outputs of the DAC are high impedance, the differential driving point impedance of the DAC outputs, R_{OUT} , is equal to $2 \times R_O$. Figure 53 illustrates the output voltage waveforms.

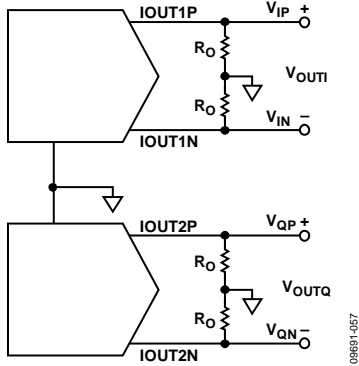


Figure 52. Basic Transmit DAC Output Circuit

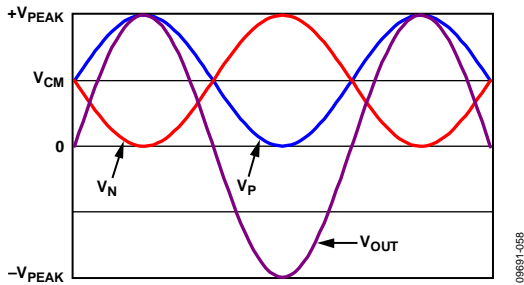


Figure 53. Output Voltage Waveforms

The common-mode signal voltage, V_{CM} , is calculated as

$$V_{CM} = \frac{I_{FS}}{2} \times R_O$$

The peak output voltage, V_{PEAK} , is calculated as

$$V_{PEAK} = I_{FS} \times R_O$$

With this circuit configuration, the single-ended peak voltage is the same as the peak differential output voltage.

Transmit DAC Linear Output Signal Swing

To achieve optimum performance, the DAC outputs have a linear output compliance voltage range that must be adhered to. The linear output signal swing is dependent on the full-scale output current, I_{FS} , and the common-mode level of the output. Figure 54 shows the IMD performance vs. the output common-mode voltage at different full-scale currents.

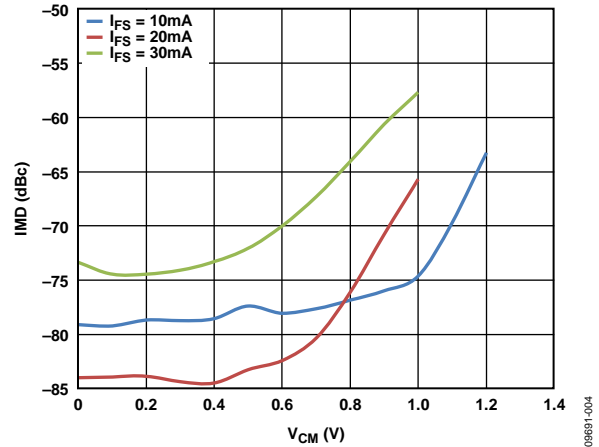


Figure 54. IMD vs. Output Common-Mode Voltage ($f_{OUT} = 161$ MHz, $R_{LOAD} = 50 \Omega$ Differential, $I_{FS} = 10$ mA, 20 mA, and 30 mA)

AUXILIARY DAC OPERATION

The AD9146 has two auxiliary DACs: one associated with the I path and one associated with the Q path. These auxiliary DACs can be used to compensate for dc offsets in the transmitted signal. Each auxiliary DAC has a single-ended current that can sink or source current into either the positive (P) or negative (N) output of the associated transmit DAC. The auxiliary DAC structure is shown in Figure 55.

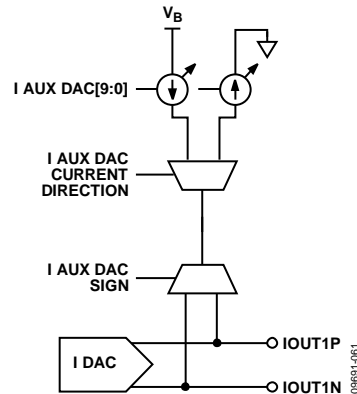


Figure 55. Auxiliary DAC Structure

The control registers for the I and Q auxiliary DACs are Register 0x42, Register 0x43, Register 0x46, and Register 0x47.

INTERFACING TO MODULATORS

The AD9146 interfaces to the ADL537x family of modulators with a minimal number of components. An example of the recommended interface circuitry is shown in Figure 56.

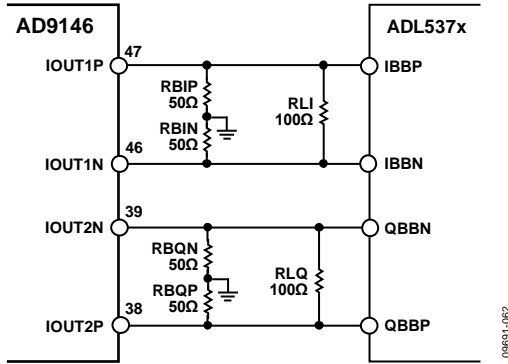


Figure 56. Typical Interface Circuitry Between the AD9146 and the ADL537x Family of Modulators

The baseband inputs of the ADL537x family require a dc bias of 500 mV. The nominal midscale output current on each output of the DAC is 10 mA (one-half the full-scale current). Therefore, a single 50 Ω resistor to ground from each of the DAC outputs results in the desired 500 mV dc common-mode bias for the inputs to the ADL537x. The signal level can be reduced through the addition of the load resistor in parallel with the modulator inputs. The peak-to-peak voltage swing of the transmitted signal is

$$V_{SIGNAL} = I_{FS} \times \frac{(2 \times R_B \times R_L)}{(2 \times R_B + R_L)}$$

BASEBAND FILTER IMPLEMENTATION

Most applications require a baseband anti-imaging filter between the DAC and the modulator to filter out Nyquist images and broadband DAC noise. The filter can be inserted between the I-V resistors at the DAC output and the signal level setting resistor across the modulator input. This establishes the input and output impedances for the filter.

Figure 58 shows a fifth-order, low-pass filter. A common-mode choke is used between the I-V resistors and the remainder of the filter. This removes the common-mode signal produced by the DAC and prevents the common-mode signal from being converted to a differential signal, which can appear as unwanted spurious signals in the output spectrum. Splitting the first filter capacitor into two and grounding the center point creates a common-mode low-pass filter, providing additional common-mode rejection of high frequency signals. A purely differential filter can pass common-mode signals.

DRIVING THE ADL5375-15

The ADL5375-15 requires a 1500 mV dc bias and, therefore, requires a slightly more complex interface than most other Analog Devices modulators. It is necessary to level-shift the DAC output from a 500 mV dc bias to the 1500 mV dc bias required by the ADL5375-15. Level-shifting can be achieved with a purely passive network, as shown in Figure 57. In this network, the dc bias of the DAC remains at 500 mV, whereas the input to the ADL5375-15 is 1500 mV. This passive, level-shifting network introduces approximately 2 dB of loss in the ac signal.

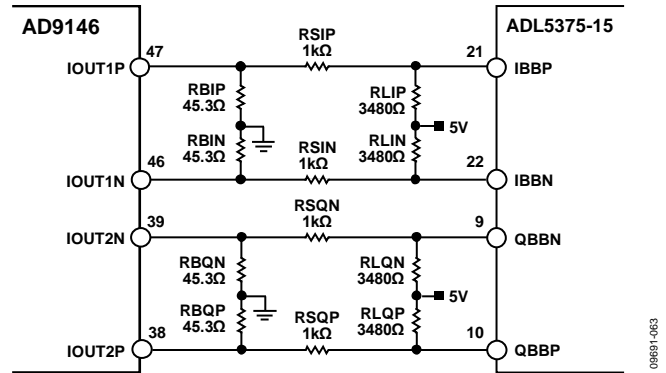


Figure 57. Passive, Level-Shifting Network for Biasing the ADL5375-15

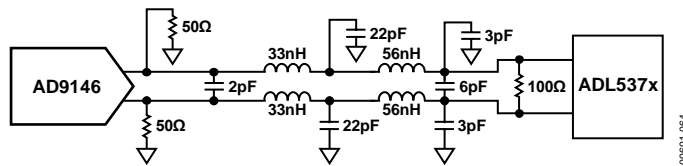


Figure 58. DAC Modulator Interface with Fifth-Order, Low-Pass Filter

REDUCING LO LEAKAGE AND UNWANTED SIDEBANDS

Analog quadrature modulators can introduce unwanted signals at the LO frequency due to dc offset voltages in the I and Q baseband inputs, as well as feedthrough paths from the LO input to the output. The LO feedthrough can be nulled by applying the correct dc offset voltages at the DAC output. This can be done using the auxiliary DACs (Register 0x42, Register 0x43, Register 0x46, and Register 0x47) or by using the digital dc offset adjustments (Register 0x3C through Register 0x3F).

The advantage of using the auxiliary DACs is that none of the main DAC dynamic range is used to perform the dc offset adjustment. The disadvantage is that the common-mode level of the output signal changes as a function of the auxiliary DAC current. The opposite is true when the digital offset adjustment is used.

Good sideband suppression requires both gain and phase matching of the I and Q signals. The I/Q phase adjust registers (Register 0x38 through Register 0x3B) and the DAC FS adjust registers (Register 0x40 and Register 0x44) can be used to calibrate the I and Q transmit paths to optimize sideband suppression.

DEVICE POWER MANAGEMENT

POWER DISSIPATION

The AD9146 has three supply rails: AVDD33, DVDD18, and CVDD18.

The AVDD33 supply powers the DAC core circuitry. The power dissipation of the AVDD33 supply rail is independent of the digital operating mode and sample rate. The current drawn from the AVDD33 supply rail is typically 54 mA (188 mW) when the full-scale current of the I and Q DACs is set to the nominal value of 20 mA. Changing the full-scale current directly affects the supply current drawn from the AVDD33 rail. For example, if the full-scale current of the I DAC and the Q DAC is changed to 10 mA, the AVDD33 supply current drops by 20 mA to 34 mA.

The DVDD18 supply powers all of the digital signal processing blocks of the device. The serial port I/O pins, the RESET pin, and the $\overline{\text{IRQ}}$ pin are also supplied from the DVDD18 power supply. The power consumption from this supply is a function of which digital blocks are enabled and the frequency at which the device is operating.

The CVDD18 supply powers the clock receiver and clock distribution circuitry. The power consumption from this supply varies directly with the operating frequency of the device. CVDD18 also powers the PLL. The power dissipation of the PLL is typically 80 mA when enabled.

Figure 59 through Figure 61 show the power dissipation of the AD9146 under a variety of operating conditions. All of the graphs were taken with data being supplied to both the I and Q DACs. The power consumption of the device does not vary significantly with changes in the coarse modulation mode selected or with the analog output frequency. Figure 59 shows the total power dissipation. Figure 60 and Figure 61 show the power dissipation of the DVDD18 and CVDD18 supplies.

Maximum power dissipation can be estimated to be 20% higher than the typical power dissipation.

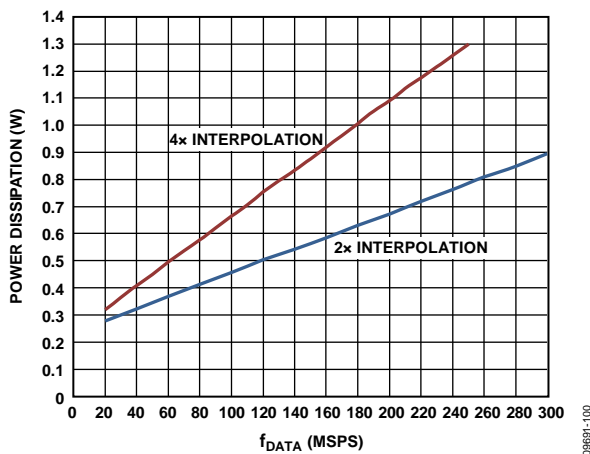


Figure 59. Total Power Dissipation vs. f_{DATA} Without PLL and Inverse Sinc

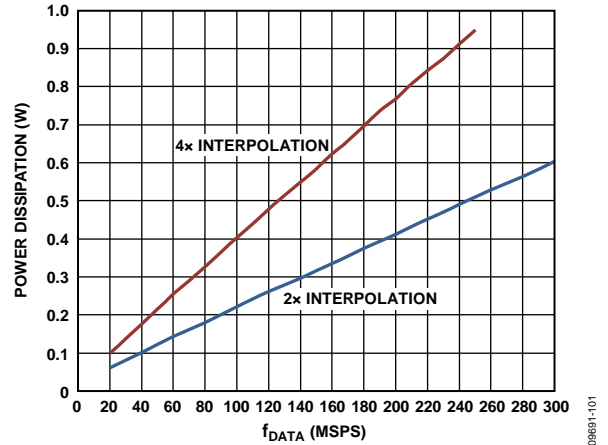


Figure 60. DVDD18 Power Dissipation vs. f_{DATA} Without Inverse Sinc

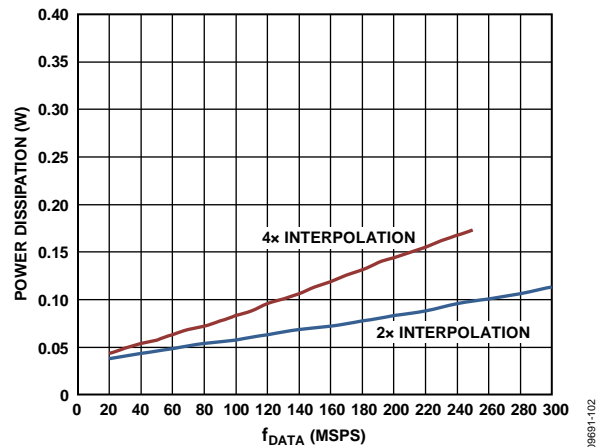


Figure 61. CVDD18 Power Dissipation vs. f_{DATA} with PLL Disabled

Tx ENABLE

The Tx enable feature provides additional power management techniques that can be implemented in system applications. The TXENABLE pin, when taken to a logic low, stops the transmission of data from the part and clamps the outputs to midscale. In addition, various portions of the DAC can be powered down while the pin is held low, depending on the power saving requirements of the system and the amount of wake-up time required when the pin is brought high.

Register 0x02 contains the bit controls to power down these individual blocks: DAC cores, FIFO, interpolation filters, PLL, and the internal reference. Depending on the power-down bits selected, the necessary wake-up time and reprogramming of the DAC may vary.

The Tx enable feature also allows for an extended delay from when the TXENABLE pin is brought high to when the DAC outputs begin transmitting the data present in the FIFO and datapath. Two different delay lengths are available. These delays allow the part to be set up properly during the delay time without transmitting false data and to begin receiving correct data after the datapath is flushed. The amount of delay time to be allotted for various wake-up times depends on the delay setting used, as well as which portions of the DAC are powered down and need to be reinitialized.

Table 23 lists the minimum wait time required for the DAC to begin transmitting again after the TXENABLE pin is brought high. Regardless of the delay setting, there is an inherent fixed delay of 10 DAC clock cycles for all the options listed in Table 23 before the DAC begins transmitting. Additionally, because the Tx enable logic is timed from a divided-down rate of the DAC clock—specifically, DAC/64—the number of edges that the part waits for before allowing data to be transmitted from the DAC can vary. Because the synchronization between the DAC/64 clock and the Tx enable logic trigger is unknown, the number of DAC/64 clock edges that must be waited for before the outputs are released can vary by up to one cycle.

Table 23. Wake-Up Time for Various Tx Enable Delay Settings

| Register 0x02 | Number of DAC/64 Edges to Wait ¹ | Additional DAC Edges to Wait | Minimum Wait Time ² |
|--------------------------|---|------------------------------|--------------------------------|
| No extended delay (0x00) | 1 | 10 | 360.82 ns |
| Extended Delay 0 (0x20) | 12 | 10 | 4.18 μ s |
| Extended Delay 1 (0x60) | 19 | 10 | 6.611 μ s |

¹ Values may vary by up to one DAC/64 cycle for the amount of wake-up time of each delay setting.

² Values based on 737.28 MHz DAC rate condition; uses (number of DAC/64 + 10 DAC clocks) for calculation.

For timing purposes and to ensure that incorrect data is flushed, the minimum wake-up time must be considered. This constraint determines how soon the datapath must begin to be flushed. Depending on which portions of the DAC are powered down using the Tx enable feature, the amount of time required to start setting up the part and flushing the datapaths must be adjusted. An appropriate delay setting is required to accommodate the earliest possible wake-up time needed for flushing before the outputs are enabled.

In addition to the delays listed in Table 23, specific wake-up times for individual powered-down portions of the AD9146 must be accounted for during the preparation time.

The following example provides a typical configuration that uses the Tx enable feature to power down the interpolation filters. This example provides guidelines for how to determine the amount of wake-up time to design in a system.

- $f_{\text{DATA}} = 184.32 \text{ MHz}$
- $f_{\text{DAC}} = 737.28 \text{ MHz}$
- Interpolation = 4 \times
- Inverse sinc on
- Tx enable filter power-down option selected
- Datapath flush time = 175 DAC clocks
- $t_{\text{DAC}} = 1.36 \text{ ns}$
- $t_{\text{DPFLUSH}} = 238 \text{ ns}$

The minimum wake-up time with no delay setting is 360.82 ns (see Table 23). In this example, the time required to flush the datapath is only 238 ns. Therefore, if datapath flushing is done simultaneous to the TXENABLE pin being brought high, there is enough time for the flush to complete before the minimum possible time that the outputs can begin transmitting. For each individual case, the amount of time needed to flush the datapath must be accounted for when calculating the minimum time after which the DACs can begin transmitting data.

The TXENABLE pin must be held high while the part is being powered up. After the part is powered up, the pin can be brought low to clamp the outputs, when desired. Note that the pin cannot be held low during power-up because the circuit logic is transition sensitive and the part must see a falling edge before it clamps the outputs.

TEMPERATURE SENSOR

The AD9146 has a band gap temperature sensor for monitoring the temperature change of the AD9146. The temperature must be calibrated against a known temperature to remove the part-to-part variation on the band gap circuit used to sense the temperature. The DACCLK must be running at a minimum of 100 MHz to obtain a reliable temperature measurement.

To monitor temperature change, the user must take a reading at a known ambient temperature for a single-point calibration of each AD9146 device.

$$T_x = T_{\text{REF}} + 7.7 \times (\text{Code}_x - \text{Code}_{\text{ref}}) / 1000 + 1$$

where:

Code_x is the readback code at the unknown temperature, T_x .
 Code_{ref} is the readback code at the calibrated temperature, T_{REF} .

To use the temperature sensor, it must be enabled by setting Register 0x01, Bit 4, to 0. In addition, to obtain accurate readings, the die temperature range control register (Register 0x48) should be set to 0x02.

MULTICHIP SYNCHRONIZATION

System demands may require that the outputs of multiple DACs be synchronized with each other or with a system clock. Systems that support transmit diversity or beamforming, where multiple antennas are used to transmit a correlated signal, require multiple DAC outputs to be phase aligned with each other. Systems with a time division multiplexing transmit chain may require one or more DACs to be synchronized with a system-level reference clock.

Multiple devices are considered synchronized to each other when the state of the clock generation state machines is identical for all parts, and when time-aligned data is being read from the FIFOs of all parts simultaneously. Devices are considered synchronized to a system clock when there is a fixed and known relationship between the clock generation state machine and the data being read from the FIFO and a particular clock edge of the system clock. The AD9146 has provisions for enabling multiple devices to be synchronized to each other or to a system clock.

The AD9146 supports synchronization in two different modes: data rate mode and FIFO rate mode. In data rate mode, the input data rate represents the lowest synchronized clock rate. In FIFO rate mode, the FIFO rate, which is the data rate divided by the FIFO depth of 8, represents the lowest rate clock.

The advantage of FIFO rate synchronization is increased time between the setup and hold time windows for DCI changes relative to the DACCLK or REFCLK input. When the synchronization state machine is on in data rate mode, the elasticity of the FIFO is not used to absorb timing variations between the data source and the DAC, resulting in setup and hold time windows repeating at the input data rate.

The method chosen for providing the DAC sampling clock directly affects the synchronization methods available. When the device clock multiplier is used, only data rate mode is available. When the DAC sampling clock is sourced directly, both data rate mode and FIFO rate mode synchronization are available. The following sections describe the synchronization methods for enabling both clocking modes and querying the status of the synchronization logic.

The full synchronization methods described are used to align multiple dual DACs within one DACCLK cycle. To achieve synchronization within one DACCLK cycle, both the REFCLK and FRAME signals are required to perform back-end and front-end alignment. If synchronization does not need to be this accurate, other options can be used. In data rate mode or in FIFO rate mode, using soft alignment of the FIFO for multiple DACs synchronizes the DAC outputs within two data clock cycles (see the Serial Port Initiated FIFO Reset section). For more information about synchronization, see the [AN-1093](#) Application Note, “Synchronization of Multiple AD9122 TxDAC+ Converters.”

SYNCHRONIZATION WITH CLOCK MULTIPLICATION

When using the clock multiplier to generate the DAC sample rate clock, the REFCLK input signal acts as both the reference clock for the PLL-based clock multiplier and as the synchronization signal. To synchronize devices, distribute the REFCLK signal with low skew to all the devices that need to be synchronized. Skew between the REFCLK signals of the different devices shows up directly as a timing mismatch at the DAC outputs.

Because two clocks are shared on the same signal, an appropriate frequency must be chosen for the synchronization and REFCLK signals. The FRAME and DCI signals can be created in the FPGA along with the data. A circuit diagram of a typical configuration is shown in Figure 62.

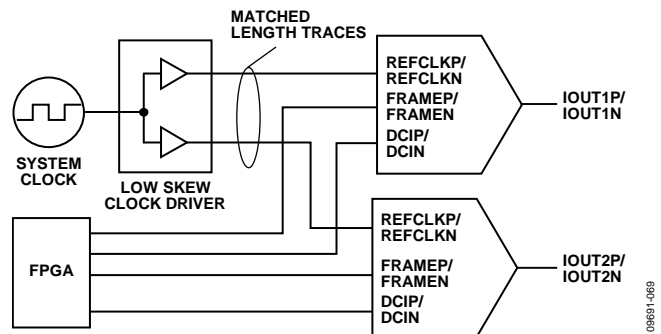


Figure 62. Typical Circuit Diagram for Synchronizing Devices

The Procedure for Synchronization When Using the PLL section outlines the steps required to synchronize multiple devices. The procedure assumes that the REFCLK signal is applied to all the devices, and that the PLL of each device is phase locked to it. The following procedure must be carried out on each individual device.

Procedure for Synchronization When Using the PLL

In the initialization of the AD9146, all the clock signals (DACCLK, DCI, FRAME, synchronization, and REFCLK) must be present and stable before the synchronization feature is turned on. Configure the AD9146 for data rate, periodic synchronization by writing 0xC8 to the sync control register (Register 0x10). Additional synchronization options are available (see the Additional Synchronization Features section).

Read the sync status register (Register 0x12) to verify that the sync locked bit (Bit 6) is set high, indicating that the device achieved back-end synchronization, and that the sync lost bit (Bit 7) is low. These levels indicate that the clocks are running with a constant and known phase relative to the synchronization signal.

Reset the FIFO by strobing the FRAME signal high for the time interval required to write two complete input data words. Resetting the FIFO ensures that the correct data is being read from the FIFO.

This completes the synchronization procedure; all devices should now be synchronized.

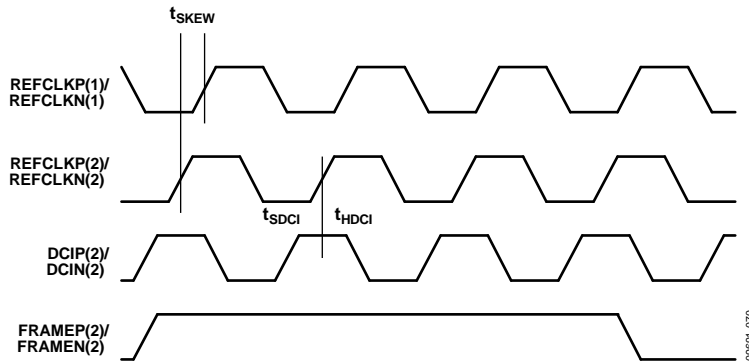


Figure 63. Timing Diagram Required for Synchronizing Devices

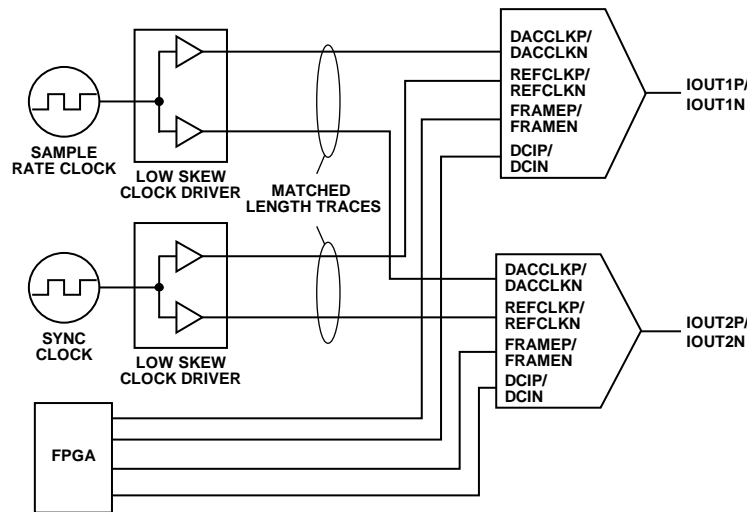


Figure 64. Typical Circuit Diagram for Synchronizing Devices to a System Clock

To maintain synchronization, the skew between the REFCLK signals of the devices must be less than t_{SKEW} ns. When resetting the FIFO, the FRAME signal must be held high for the time interval required to write two complete input data words. A timing diagram of the input signals is shown in Figure 63.

Figure 63 shows a REFCLK frequency equal to the data rate. Although this is the most common situation, it is not strictly required for proper synchronization. Any REFCLK frequency that satisfies the following equation is acceptable. (This equation is valid only when the PLL is used because only data rate mode is available with the PLL on.)

$$f_{\text{SYNC}_I} = f_{\text{DACCLK}}/2^N \text{ and } f_{\text{SYNC}_I} \leq f_{\text{DATA}}$$

where $N = 0, 1, 2, \text{ or } 3$.

As an example, a configuration with $4\times$ interpolation and clock frequencies of $f_{\text{VCO}} = 1600$ MHz, $f_{\text{DACCLK}} = 800$ MHz, $f_{\text{DATA}} = 200$ MHz, and $f_{\text{SYNC}_I} = 100$ MHz is a viable solution.

SYNCHRONIZATION WITH DIRECT CLOCKING

When directly sourcing the DAC sample rate clock, a separate REFCLK input signal is required for synchronization. To synchronize devices, the DACCLK signal and the REFCLK signal

must be distributed with low skew to all the devices being synchronized. If the devices need to be synchronized to a master clock, use the master clock directly for generating the REFCLK input (see Figure 64).

DATA RATE MODE SYNCHRONIZATION

The Procedure for Data Rate Synchronization When Directly Sourcing the DAC Sampling Clock section outlines the steps required to synchronize multiple devices in data rate mode. The procedure assumes that the DACCLK and REFCLK signals are applied to all the devices. The following procedure must be carried out on each individual device.

Procedure for Data Rate Synchronization When Directly Sourcing the DAC Sampling Clock

Configure the AD9146 for data rate, periodic synchronization by writing 0xC8 to the sync control register (Register 0x10). Additional synchronization options are available (see the Additional Synchronization Features section).

Read the sync locked bit (Register 0x12, Bit 6) to verify that the device is back-end synchronized. A high level on this bit indicates that the clocks are running with a constant and known phase relative to the synchronization signal.

Reset the FIFO by strobing the FRAME signal high for two complete DCI periods. Resetting the FIFO ensures that the correct data is being read from the FIFO of each of the devices simultaneously.

This completes the synchronization procedure; all devices should now be synchronized.

To ensure that each DAC is updated with the correct data on the same CLK edge, two timing relationships must be met on each DAC.

- DCIP/DCIN and D[7:0]P/D[7:0]N must meet the setup and hold times with respect to the rising edge of DACCLK.
- REFCLK must also meet the setup and hold times with respect to the rising edge of DACCLK.

When these conditions are met, the outputs of the DACs are updated within one DAC clock cycle of each other. The timing requirements of the input signals are shown in Figure 65.

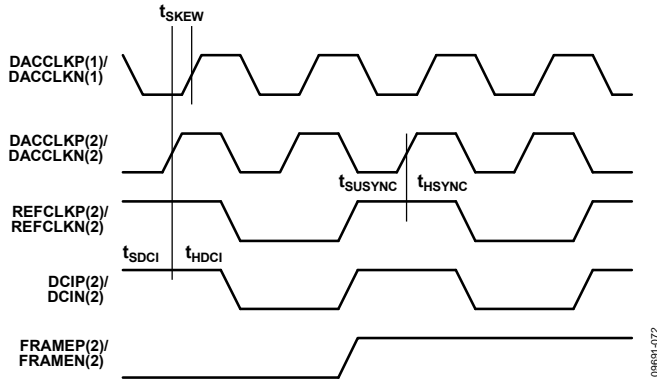


Figure 65. Data Rate Synchronization Signal Timing Requirements, 2x Interpolation

Figure 65 shows the synchronization signal timing with 2x interpolation; therefore, $f_{DCI} = \frac{1}{2} \times f_{CLK}$. The REFCLK input is shown to be equal to the data rate. The maximum frequency at which the device can be resynchronized in data rate mode can be expressed as

$$f_{SYNC_I} = f_{DATA}/2^N$$

where N is any non-negative integer.

Generally, for values of N greater than or equal to 3, select the FIFO rate synchronization mode.

When synchronization is used in data rate mode, the timing constraint between the DCI and DACCLK must be met according to Table 24. In data rate mode, the allowed phase drift between the DCI and DACCLK is limited to one DCI period. The DCI to DACCLK timing restriction is required to prevent corruption of the data transfer when the FIFO is constantly reset. The required timing between the DCI and DACCLK is shown in Figure 66.

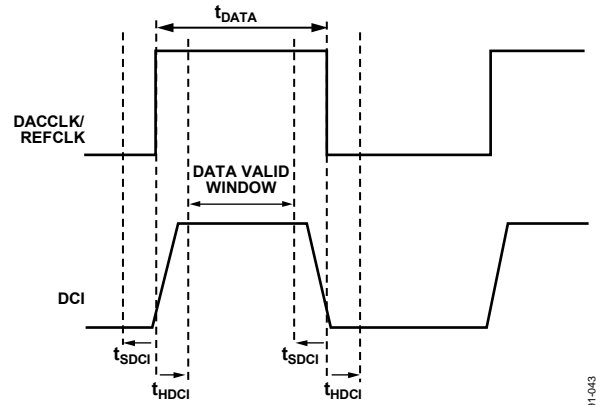


Figure 66. Timing Diagram for Input Data Port (Data Rate Mode)

Table 24. DCI to DACCLK Setup and Hold Times

| DCI Delay Register 0x16, Bits[1:0] | Minimum Setup Time, t_{SDCI} (ns) | Minimum Hold Time, t_{HDCI} (ns) | Sampling Interval (ns) |
|------------------------------------|-------------------------------------|------------------------------------|------------------------|
| 00 | -0.07 | 0.82 | 0.75 |
| 01 | -0.24 | 1.13 | 0.89 |
| 10 | -0.39 | 1.40 | 1.01 |
| 11 | -0.49 | 1.55 | 1.06 |

FIFO RATE MODE SYNCHRONIZATION

The Procedure for FIFO Rate Synchronization When Directly Sourcing the DAC Sampling Clock section outlines the steps required to synchronize multiple devices in FIFO rate mode. The procedure assumes that the DACCLK and REFCLK signals are applied to all the devices. The procedure must be carried out on each individual device.

Procedure for FIFO Rate Synchronization When Directly Sourcing the DAC Sampling Clock

Configure the AD9146 for FIFO rate, periodic synchronization by writing 0x88 to the sync control register (Register 0x10). Additional synchronization options are available (see the Additional Synchronization Features section).

Read the sync locked bit (Register 0x12, Bit 6) to verify that the device is back-end synchronized. A high level on this bit indicates that the clocks are running with a constant and known phase relative to the synchronization signal.

Reset the FIFO by strobing the FRAME signal high for two complete DCI periods. Resetting the FIFO ensures that the correct data is being read from the FIFO of each of the devices simultaneously.

This completes the synchronization procedure; all devices should now be synchronized.

To ensure that each DAC is updated with the correct data on the same CLK edge, two timing relationships must be met on each DAC.

- DCIP/DCIN and D[7:0]P/D[7:0]N must meet the setup and hold times with respect to the rising edge of DACCLK.
- REFCLK must also meet the setup and hold times with respect to the rising edge of DACCLK.

When these conditions are met, the outputs of the DACs are updated within one DAC clock cycle of each other. The timing requirements of the input signals are shown in Figure 67.

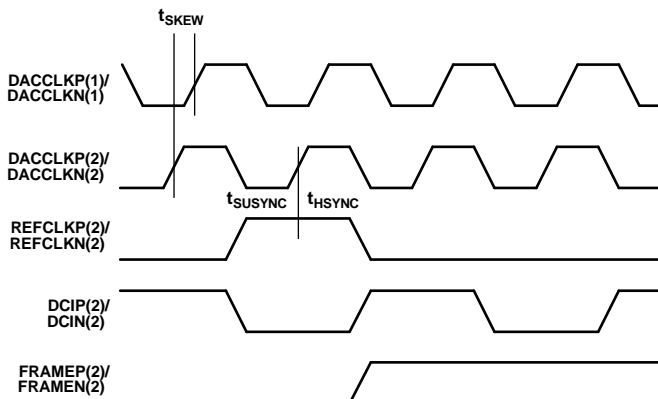


Figure 67. FIFO Rate Synchronization Signal Timing Requirements, 2x Interpolation

Figure 67 shows the synchronization signal timing with 2x interpolation; therefore, $f_{DCI} = \frac{1}{2} \times f_{CLK}$. The REFCLK input is shown to be equal to the FIFO rate. The maximum frequency at which the device can be resynchronized in FIFO rate mode can be expressed as

$$f_{SYNC-I} = f_{DATA} / (8 \times 2^N)$$

where N is any non-negative integer.

ADDITIONAL SYNCHRONIZATION FEATURES

Table 25 shows the required timing between the DACCLK and the synchronization clock when synchronization is used. This timing restriction applies to both data rate mode and FIFO rate mode.

Table 25. Synchronization Setup and Hold Times

| Parameter | Min | Max | Unit |
|--------------|-----------------|-----------------|------|
| t_{SKEW} | $-t_{DACCLK}/2$ | $+t_{DACCLK}/2$ | ps |
| t_{SUSYNC} | 100 | | ps |
| t_{HSYNC} | 330 | | ps |

One-Time Synchronization

When implementing the full multichip synchronization feature (with the REFCLK and FRAME signals aligned within one DACCLK cycle), the user may experience difficulty meeting the DACCLK to synchronization clock timing. In this case, a one-time synchronization method can be used. Before implementing the one-time synchronization, make sure that the synchronization signal is locked by checking both the sync signal locked and the sync signal lost flags (Bit 4 and Bit 5 in Register 0x06). It is also important that synchronization not be enabled before stable REFCLK signals are present from the FPGA or ASIC. For more information and a detailed flowchart of the one-time synchronization feature, see the [AN-1093](#) Application Note, “Synchronization of Multiple AD9122 TxDAC+ Converters.”

Sync Status Bits

When the sync locked bit (Register 0x12, Bit 6) is set, it indicates that the synchronization logic has reached alignment. This alignment is determined when the clock generation state machine phase is constant.

Alignment takes from $(11 + \text{averaging}) \times 64$ to $(11 + \text{averaging}) \times 128$ DACCLK cycles. The sync locked bit can also trigger an IRQ, as described in the Interrupt Request Operation section.

When the sync lost bit (Register 0x12, Bit 7) is set, it indicates that a previously synchronized device has lost alignment. This bit is latched and remains set until cleared by overwriting the register. This bit can also trigger an IRQ, as described in the Interrupt Request Operation section.

The sync phase readback bits (Register 0x13, Bits[7:0]) report the current clock phase in a 6.2 format. Bits[7:2] report which of the 64 states (0 to 63) the clock is currently in. When averaging is enabled, Bits[1:0] provide $\frac{1}{4}$ state accuracy (for 0, $\frac{1}{4}$, $\frac{1}{2}$, $\frac{3}{4}$). The lower two bits give an indication of the timing margin issues that may exist. If the synchronization sampling is error free, the fractional clock state should be 00.

Timing Optimization

The REFCLK signal is sampled by a version of the DACCLK. If sampling errors are detected, the opposite sampling edge can be selected to improve the sampling point. The sampling edge can be selected by setting Register 0x10, Bit 3 (1 = rising and 0 = falling).

The synchronization logic resynchronizes when a phase change between the REFCLK signal and the state of the clock generation state machine exceeds a threshold. To mitigate the effects of jitter and prevent erroneous resynchronizations, the relative phase can be averaged. The amount of averaging is set by the sync averaging bits (Register 0x10, Bits[2:0]) and can be set from 1 to 128. The higher the number of averages, the more slowly the device recognizes and resynchronizes to a legitimate phase correction. Generally, the averaging should be made as large as possible while still meeting the allotted resynchronization time interval. Note that, if the average synchronization sampling result is in approximately the middle of the probability curve, the synchronization engine can be unstable, resulting in corrupted output.

The value of the Sync Phase Request[5:0] bits (Register 0x11, Bits[5:0]) is the state to which the clock generation state machine resets upon initialization. By varying this value, the timing of the internal clocks, with respect to the REFCLK signal, can be adjusted. Every increment of the Sync Phase Request[5:0] value advances the internal clocks by one DACCLK cycle. This offset can be used for two purposes: to skew the outputs of two synchronized DAC outputs in increments of the DACCLK cycle, and to change the relative timing between the DAC output and the sync input (REFCLK). This may allow for a more optimal placement of the DCI sampling point in data rate synchronization mode.

INTERRUPT REQUEST OPERATION

The AD9146 provides an interrupt request output signal on Pin 34 ($\overline{\text{IRQ}}$) that can be used to notify an external host processor of significant device events. Upon assertion of the interrupt, the device should be queried to determine the precise event that occurred. The $\overline{\text{IRQ}}$ pin is an open-drain, active low output. Pull the $\overline{\text{IRQ}}$ pin high external to the device. This pin can be tied to the interrupt pins of other devices with open-drain outputs to wire-OR these pins together.

The event flags provide visibility into the device. These flags are located in the two event flag registers, Register 0x06 and Register 0x07. The behavior of each event flag is independently selected in the interrupt enable registers, Register 0x04 and Register 0x05. When the flag interrupt enable is active, the event flag latches and triggers an external interrupt. When the flag interrupt is disabled, the event flag monitors the source signal, but the $\overline{\text{IRQ}}$ pin remains inactive.

Figure 68 shows the $\overline{\text{IRQ}}$ -related circuitry and how the event flag signals propagate to the $\overline{\text{IRQ}}$ output. The INTERRUPT_ENABLE signal represents one bit from the interrupt enable register. The EVENT_FLAG_SOURCE signal represents one bit from the event flag register. The EVENT_FLAG_SOURCE signal represents one of the device signals that can be monitored, such as the PLL_LOCKED signal from the PLL phase detector or the FIFO_WARNING_1 signal from the FIFO controller.

When an interrupt enable bit is set high, the corresponding event flag bit reflects a positively tripped version of the EVENT_FLAG_SOURCE signal; that is, the event flag bit is latched on the rising edge of the EVENT_FLAG_SOURCE signal. This signal also asserts the external $\overline{\text{IRQ}}$ pin.

When an interrupt enable bit is set low, the event flag bit reflects the current status of the EVENT_FLAG_SOURCE signal, and the event flag has no effect on the external $\overline{\text{IRQ}}$ pin.

The latched version of an event flag (the INTERRUPT_SOURCE signal) can be cleared in two ways. The recommended way is by writing 1 to the corresponding event flag bit. A hardware or software reset also clears the INTERRUPT_SOURCE signal.

INTERRUPT SERVICE ROUTINE

Interrupt request management starts by selecting the set of event flags that require host intervention or monitoring. The events that require host action should be enabled so that the host is notified when they occur. For events requiring host intervention upon $\overline{\text{IRQ}}$ activation, run the following routine to clear an interrupt request:

1. Read the status of the event flag bits that are being monitored.
2. Set the interrupt enable bit low so that the unlatched EVENT_FLAG_SOURCE signal can be monitored directly.
3. Perform any actions that may be required to clear the EVENT_FLAG_SOURCE . In many cases, no specific actions may be required.
4. Read the event flag to verify that the actions taken have cleared the EVENT_FLAG_SOURCE .
5. Clear the interrupt by writing 1 to the event flag bit.
6. Set the interrupt enable bits of the events to be monitored.

Note that some EVENT_FLAG_SOURCE signals are latched signals. These signals are cleared by writing to the corresponding event flag bit. For more information about each event flag, see Register 0x06 and Register 0x07 in Table 11.

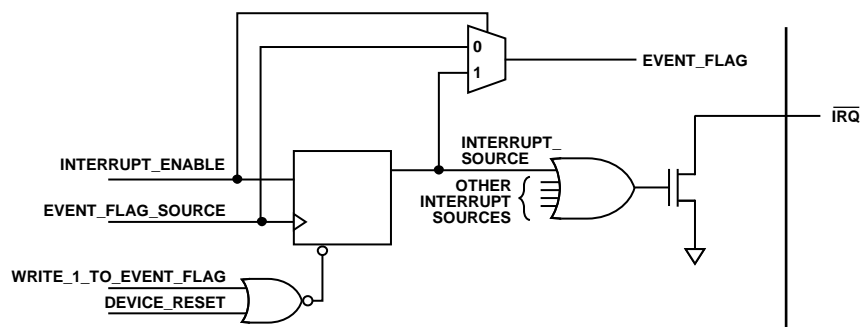


Figure 68. Simplified Schematic of $\overline{\text{IRQ}}$ Circuitry

09891-074

INTERFACE TIMING VALIDATION

The AD9146 provides on-chip sample error detection (SED) circuitry that simplifies verification of the input data interface. The SED circuitry compares the input data samples captured at the digital input pins with a set of comparison values. The comparison values are loaded into registers through the SPI port. Differences between the captured values and the comparison values are detected and stored. Options are available for customizing SED test sequencing and error handling.

SED OPERATION

The SED circuitry operates on a data set made up of four 16-bit input words divided into eight 8-bit input words, denoted as I0, Q0, I1, and Q1. To properly align the input samples, the first I data-word (that is, I0) is indicated by asserting FRAME for at least one complete input sample.

Figure 69 shows the input timing of the interface in byte mode. The FRAME signal can be issued once at the start of the data transmission, or it can be asserted repeatedly at intervals coinciding with the I0 and Q0 data-words.

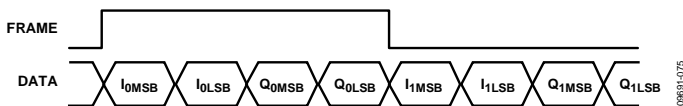


Figure 69. Timing Diagram of Extended FRAME Signal Required to Align Input Data for SED

The SED has three flag bits (Register 0x67, Bit 5, Bit 1, and Bit 0) that indicate the results of the input sample comparisons. The sample error detected bit (Register 0x67, Bit 5) is set when

an error is detected and remains set until cleared. The SED also provides registers that indicate which input data bits experienced errors (Register 0x70 through Register 0x73). These bits are latched and indicate the accumulated errors detected until cleared.

Autosample error detection (AED) is an autoclear function in the SED. The autoclear mode has two effects: it activates the compare fail bit and the compare pass bit (Register 0x67, Bit 1 and Bit 0) and changes the behavior of Register 0x70 through Register 0x73. The compare pass bit is set if the last eight sample set comparisons are error free. The compare fail bit is set if an error is detected. The compare fail bit is not activated until the part has received eight error-free sample set comparisons, that is, the pass bit has gone high at least once. Once enabled, the compare fail bit is automatically cleared by the reception of eight consecutive error-free comparisons. When autoclear mode is enabled, Register 0x70 through Register 0x73 accumulate errors as previously described but are reset to all 0s after eight consecutive error-free sample set comparisons are made.

If desired, the sample error detected, compare pass, and compare fail flags can be configured to trigger the $\overline{\text{IRQ}}$ pin when active. This is done by enabling the appropriate bits in the event flag register (Register 0x07).

Table 26 shows a progression of the input sample comparison results and the corresponding states of the error flags.

Table 26. Progression of Input Sample Comparison Results and the Resulting SED Register Values

| Compare Results (Pass/Fail) | P | F | F | F | P | P | P | P | P | P | P | P | P | F | P | F | |
|--|----------------|----------------|----------------|----------------|----------------|----------------|----------------|----------------|----------------|----------------|----------------|----------------|----------------|----------------|----------------|----------------|----------------|
| Register 0x67, Bit 5 (Sample Error Detected) | 0 | 1 | 1 | 1 | 1 | 1 | 1 | 1 | 1 | 1 | 1 | 1 | 1 | 1 | 1 | 1 | |
| Register 0x67, Bit 1 (Compare Fail) | 0 | 0 | 0 | 0 | 0 | 0 | 0 | 0 | 0 | 0 | 0 | 0 | 0 | 1 | 1 | 1 | |
| Register 0x67, Bit 0 (Compare Pass) | 1 | 0 | 0 | 0 | 0 | 0 | 0 | 0 | 0 | 0 | 0 | 0 | 1 | 0 | 0 | 0 | |
| Register 0x70 to Register 0x73 (Errors Detected Bits) | Z ¹ | N ² | N ² | N ² | N ² | N ² | N ² | N ² | N ² | N ² | N ² | N ² | N ² | Z ¹ | N ² | N ² | N ² |

¹ Z = all 0s.

² N = nonzero.

SED EXAMPLE**Normal Operation**

The following example illustrates the SED configuration for continuously monitoring the input data and assertion of the $\overline{\text{IRQ}}$ pin when a single error is detected.

1. Load the following comparison values. (Comparison values can be chosen arbitrarily; however, choosing values that require frequent bit toggling provides the most robust test.)
Register 0x68: $I_{0\text{LSB}}$
Register 0x69: $I_{0\text{MSB}}$
Register 0x6A: $Q_{0\text{LSB}}$
Register 0x6B: $Q_{0\text{MSB}}$
Register 0x6C: $I_{1\text{LSB}}$
Register 0x6D: $I_{1\text{MSB}}$
Register 0x6E: $Q_{1\text{LSB}}$
Register 0x6F: $Q_{1\text{MSB}}$
2. Enable the SED error detect flag to assert the $\overline{\text{IRQ}}$ pin. (Set Register 0x05 to 0x04.)
3. Begin transmitting the input data pattern.

4. Write to Register 0x67 to enable the SED. (Set Register 0x67 to 0x80.)
5. Clear the SED errors in Register 0x67 and Register 0x07. When the SED is first turned on, the FRAME signal may be detected immediately; therefore, the SED failure bit may be asserted due to the unknown initial FRAME status. For this reason, the SED compare fail status bit must be cleared at least once immediately after enabling the SED.

If $\overline{\text{IRQ}}$ is asserted, read Register 0x67 and Register 0x70 through Register 0x73 to verify that a SED error was detected and to determine which input bits were in error. The bits in Register 0x70 through Register 0x73 are latched; therefore, the bits indicate any errors that occurred on those bits throughout the test (not only the errors that caused the error detected flag to be set).

Enabling the alignment of the I0 sample as described in the SED Operation section requires the use of the FRAME signal. The timing diagrams for byte and nibble modes are the same as during normal operation and are shown in Figure 33 and Figure 34, respectively.

EXAMPLE START-UP ROUTINE

To ensure reliable start-up of the AD9146, certain sequences should be followed. This section shows an example start-up routine. This example uses the configuration described in the Device Configuration section.

DEVICE CONFIGURATION

The following device configuration is used for this example.

- $f_{\text{DATA}} = 122.88 \text{ MSPS}$
- Interpolation is 4 \times , using HB1 = 10 and HB2 = 010010
- Input data is baseband data
- $f_{\text{OUT}} = 140 \text{ MHz}$
- $f_{\text{REFCLK}} = 122.88 \text{ MHz}$
- PLL is enabled
- Inverse sinc filter is enabled
- Synchronization is enabled

DERIVED PLL SETTINGS

The following PLL settings can be derived from the device configuration.

- $f_{\text{DACCLK}} = f_{\text{DATA}} \times \text{interpolation} = 491.52 \text{ MHz}$
- $f_{\text{VCO}} = 4 \times f_{\text{DACCLK}} = 1966.08 \text{ MHz}$ ($1 \text{ GHz} < f_{\text{VCO}} < 2 \text{ GHz}$)
- $N1 = f_{\text{DACCLK}}/f_{\text{REFCLK}} = 4$
- $N2 = f_{\text{VCO}}/f_{\text{DACCLK}} = 4$

START-UP SEQUENCE

The following sequence configures the power clock and register write sequencing for reliable device start-up.

Power up Device (no specific power supply sequence is required)

Apply stable REFCLK input signal.

Apply stable DCI input signal.

Device Configuration Register Write Sequence:

0x00 → 0x20 /* Issue Software Reset */

0x00 → 0x80 /* Enable 3-wire SPI */

0x1E → 0x01

/* Start PLL */

0x0C → 0xE1

0x0D → 0xD9

0x0A → 0xCF

0x0A → 0xA0

/* Verify PLL is Locked */

Read 0x0E /* Expect bit 7 = 0, bit 6 = 1 */

Read 0x06 /* Expect 0x5C */

0x10 → 0x48 /* Choose Data Rate Mode */

0x17 → 0x04 /* Issue Software FIFO Reset */

0x18 → 0x02

0x18 → 0x00

/* Verify FIFO Reset */

Read 0x18 /* Expect 0x05 */

Read 0x19 /* Expect 0x07 */

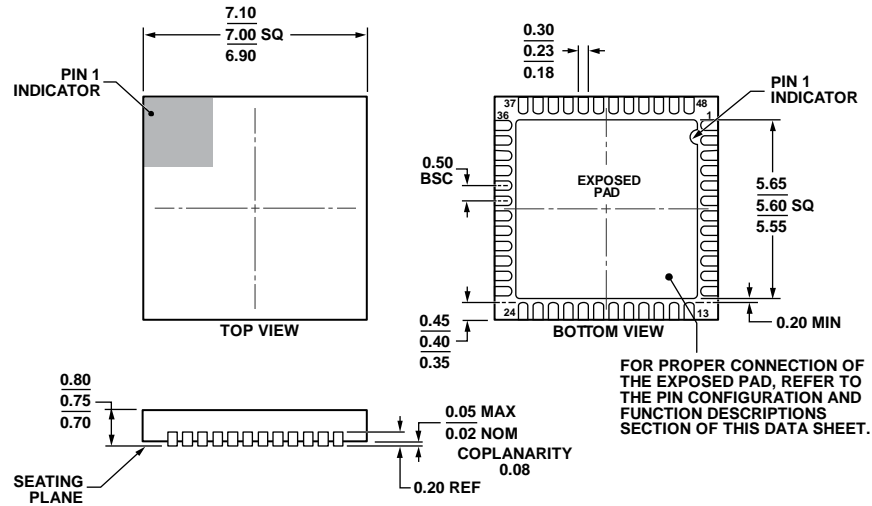
0x1B → 0xA4 /* Enable Inverse Sinc */

/* Configure Interpolation Filters */

0x1C → 0x04

0x1D → 0x24

OUTLINE DIMENSIONS



COMPLIANT TO JEDEC STANDARDS MO-220-WKKD.

Figure 70. 48-Lead Lead Frame Chip Scale Package [LFCSP_WQ]
 7 mm × 7 mm Body, Very Very Thin Quad
 (CP-48-13)
 Dimensions shown in millimeters

02-14-2011-B

ORDERING GUIDE

| Model ¹ | Temperature Range | Package Description | Package Option |
|--------------------|-------------------|---|----------------|
| AD9146BCPZ | -40°C to +85°C | 48-lead LFCSP_WQ | CP-48-13 |
| AD9146BCPZRL | -40°C to +85°C | 48-lead LFCSP_WQ | CP-48-13 |
| AD9146-M5375-EBZ | | Evaluation Board Connected to ADL5375 Modulator | |

¹ Z = RoHS Compliant Part.

NOTES

NOTES

NOTES



Компания «ЭлектроПласт» предлагает заключение долгосрочных отношений при поставках импортных электронных компонентов на взаимовыгодных условиях!

Наши преимущества:

- Оперативные поставки широкого спектра электронных компонентов отечественного и импортного производства напрямую от производителей и с крупнейших мировых складов;
- Поставка более 17-ти миллионов наименований электронных компонентов;
- Поставка сложных, дефицитных, либо снятых с производства позиций;
- Оперативные сроки поставки под заказ (от 5 рабочих дней);
- Экспресс доставка в любую точку России;
- Техническая поддержка проекта, помощь в подборе аналогов, поставка прототипов;
- Система менеджмента качества сертифицирована по Международному стандарту ISO 9001;
- Лицензия ФСБ на осуществление работ с использованием сведений, составляющих государственную тайну;
- Поставка специализированных компонентов (Xilinx, Altera, Analog Devices, Intersil, Interpoint, Microsemi, Aeroflex, Peregrine, Syfer, Eurofarad, Texas Instrument, Miteq, Cobham, E2V, MA-COM, Hittite, Mini-Circuits, General Dynamics и др.);

Помимо этого, одним из направлений компании «ЭлектроПласт» является направление «Источники питания». Мы предлагаем Вам помощь Конструкторского отдела:

- Подбор оптимального решения, техническое обоснование при выборе компонента;
- Подбор аналогов;
- Консультации по применению компонента;
- Поставка образцов и прототипов;
- Техническая поддержка проекта;
- Защита от снятия компонента с производства.



Как с нами связаться

Телефон: 8 (812) 309 58 32 (многоканальный)

Факс: 8 (812) 320-02-42

Электронная почта: org@eplast1.ru

Адрес: 198099, г. Санкт-Петербург, ул. Калинина, дом 2, корпус 4, литера А.