

HEDL-550x/554x, HEDL-560x/564x, HEDL-9000/9100, HEDL-9040/9140/ 92xx Encoder Line Drivers



Data Sheet



Description

Line Drivers are available for the HEDS-55xx/56xx series and the HEDS-9000/9100/9200/9040/9140 series encoders. The line driver offers enhanced performance when the encoder is used in noisy environments, or when it is required to drive long distances.

The encoder line driver utilizes an industry standard line driver IC, AM26C31Q, which provides complementary outputs for each encoder channel. Thus, the output of the line driver encoder is A, \bar{A} , B, \bar{B} and I/ \bar{I} for three channel versions. Suggested line receivers are 26LS32 and 26LS33.

For additional information, please refer to:

HEDS-5500/5540/5600/5640 data sheet,

HEDS-90x0/91x0/92x0 data sheets,

HEDS-9000 series extended resolution data sheet, and AM26C31Q data sheet.

Features

- Available on Both Encoder Modules (HEDS-9000 Series) and Encoder Kit Housing (HEDS-5500 Series)
- Complementary Outputs
- Industry Standard Line Driver IC
- Single 5 V Supply
- Onboard Bypass Capacitor

Note: Avago Technologies encoders are not recommended for use in safety critical applications. Eg. ABS braking systems, power steering, life support systems and critical care medical equipment. Please contact sales representative if more clarification is needed.

Device Characteristics

| Parameter | Characteristic | Notes |
|-----------------------------|---|--|
| Termination | 10 conductor ribbon cable with 10 position IDC connector | See pinout |
| Electrical Outputs | Complementary outputs: A, \bar{A} , B, \bar{B} , I, \bar{I} | I and \bar{I} available only on three channel encoders |
| Line Driver Components | AM26C31Q line driver IC, decoupling capacitor on PC board. | |
| Operating Temperature Range | -40°C to 100° C | 100° C Series |
| Storage Temperature | -40°C to 100° C | 100° C Series |

ESD WARNING: NORMAL HANDLING PRECAUTIONS SHOULD BE TAKEN TO AVOID STATIC DISCHARGE.

Line Driver Package Dimensions

For Detailed Dimensions on encoder packages, please refer to the respective data sheets.



HEDL-550X/554X/560X/564X

NOTE: DIMENSIONS IN MILLIMETERS (INCHES)

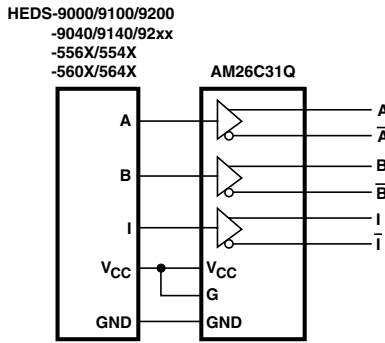


HEDL-9000/9100/9200/9040/9140

Waveforms



Block Diagram



Pinouts

10-PIN CONNECTOR

| NO. | COLOR | PARAMETER |
|-----|--------|-------------------------|
| 1 | BROWN | NC |
| 2 | RED | V _{CC} (+ 5 V) |
| 3 | ORANGE | GND |
| 4 | YELLOW | NC |
| 5 | GREEN | Ā |
| 6 | BLUE | A |
| 7 | VIOLET | B̄ |
| 8 | GREY | B |
| 9 | WHITE | Ī (INDEX) |
| 10 | BLACK | I (INDEX) |



10 POSITION IDC CONNECTOR
CENTER POLARIZED.

Note: Ī only available on three channel encoders.

Line Driver Base Parts Available:

| 100°C Line Driver Base Part | Channels | Refer to the following encoder data sheet for additional information and option codes (XXX = resolution and/or shaft size) |
|--------------------------------|----------|--|
| HEDL-5500#XXX | A, B | HEDS-5500#XXX |
| HEDL-5505#XXX | A, B | HEDS-5505#XXX |
| HEDL-5540#XXX | A, B, I | HEDS-5540#XXX |
| HEDL-5600#XXX | A, B | HEDS-5600#XXX |
| HEDL-5605#XXX | A, B | HEDS-5605#XXX |
| HEDL-5640#XXX | A, B, I | HEDS-5640#XXX |
| HEDL-5645#XXX | A, B, I | HEDS-5645#XXX |
| HEDL-9000#XXX | A, B | HEDS-9000#XXX |
| HEDL-9040#XXX | A, B, I | HEDS-9040#XXX |
| HEDL-9100#XXX | A, B | HEDS-9100#XXX |
| HEDL-9140#XXX | A, B, I | HEDS-9140#XXX |

Ordering Information:

For option code selection, refer to the data sheet for the corresponding “HEDS” part number (see right column).

| | | 01 | 02 | 04 | 05 | 06 | 11 | 12 | 13 | 14 |
|------------|---|----|----|----|----|----|----|----|----|----|
| HEDL-5500# | A | | * | | | * | | | | |
| | E | | | | | * | | | | |
| | G | | | | * | | | * | | |
| | H | | | | | * | | | | |
| | I | | | * | | | | | | |
| HEDL-5505# | A | | | | | * | | | | |
| | I | | | | | | | | * | |
| HEDL-5540# | A | * | * | | * | * | * | * | * | * |
| | C | | * | | * | | | * | | |
| | E | | | | | * | * | | | |
| | G | | | | | | * | | | |
| | I | * | | | | * | * | | * | |
| HEDL-5600# | A | | | | | * | | | | |
| | H | | | | | * | | | | |
| HEDL-5605# | A | | | | | * | | | | |
| | C | | | | | | | | | * |
| HEDL-5640# | A | | | | | * | | * | * | |
| HEDL-5645# | A | | | | | * | | | * | |
| | G | | | | | * | | | | |

| | |
|------------|---------|
| HEDL-9000# | U00 |
| HEDL-9040# | B00 |
| HEDL-9100# | A00 |
| HEDL-9140# | A00 I00 |

For product information and a complete list of distributors, please go to our web site: www.avagotech.com

Avago, Avago Technologies, and the A logo are trademarks of Avago Technologies, Limited in the United States and other countries.
 Data subject to change. Copyright © 2006 Avago Technologies Pte. All rights reserved. Obsoletes 5989-4105EN
 AV02-0993EN - January 30, 2008





Компания «ЭлектроПласт» предлагает заключение долгосрочных отношений при поставках импортных электронных компонентов на взаимовыгодных условиях!

Наши преимущества:

- Оперативные поставки широкого спектра электронных компонентов отечественного и импортного производства напрямую от производителей и с крупнейших мировых складов;
- Поставка более 17-ти миллионов наименований электронных компонентов;
- Поставка сложных, дефицитных, либо снятых с производства позиций;
- Оперативные сроки поставки под заказ (от 5 рабочих дней);
- Экспресс доставка в любую точку России;
- Техническая поддержка проекта, помощь в подборе аналогов, поставка прототипов;
- Система менеджмента качества сертифицирована по Международному стандарту ISO 9001;
- Лицензия ФСБ на осуществление работ с использованием сведений, составляющих государственную тайну;
- Поставка специализированных компонентов (Xilinx, Altera, Analog Devices, Intersil, Interpoint, Microsemi, Aeroflex, Peregrine, Syfer, Eurofarad, Texas Instrument, Miteq, Cobham, E2V, MA-COM, Hittite, Mini-Circuits, General Dynamics и др.);

Помимо этого, одним из направлений компании «ЭлектроПласт» является направление «Источники питания». Мы предлагаем Вам помощь Конструкторского отдела:

- Подбор оптимального решения, техническое обоснование при выборе компонента;
- Подбор аналогов;
- Консультации по применению компонента;
- Поставка образцов и прототипов;
- Техническая поддержка проекта;
- Защита от снятия компонента с производства.



Как с нами связаться

Телефон: 8 (812) 309 58 32 (многоканальный)

Факс: 8 (812) 320-02-42

Электронная почта: org@eplast1.ru

Адрес: 198099, г. Санкт-Петербург, ул. Калинина, дом 2, корпус 4, литера А.