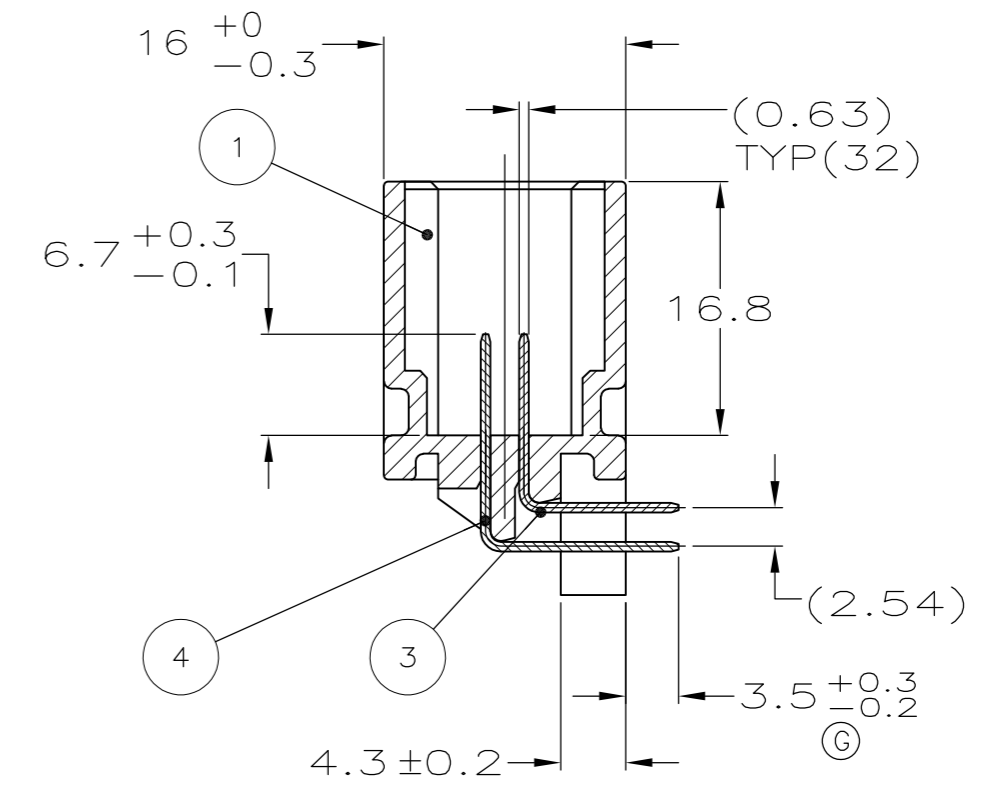
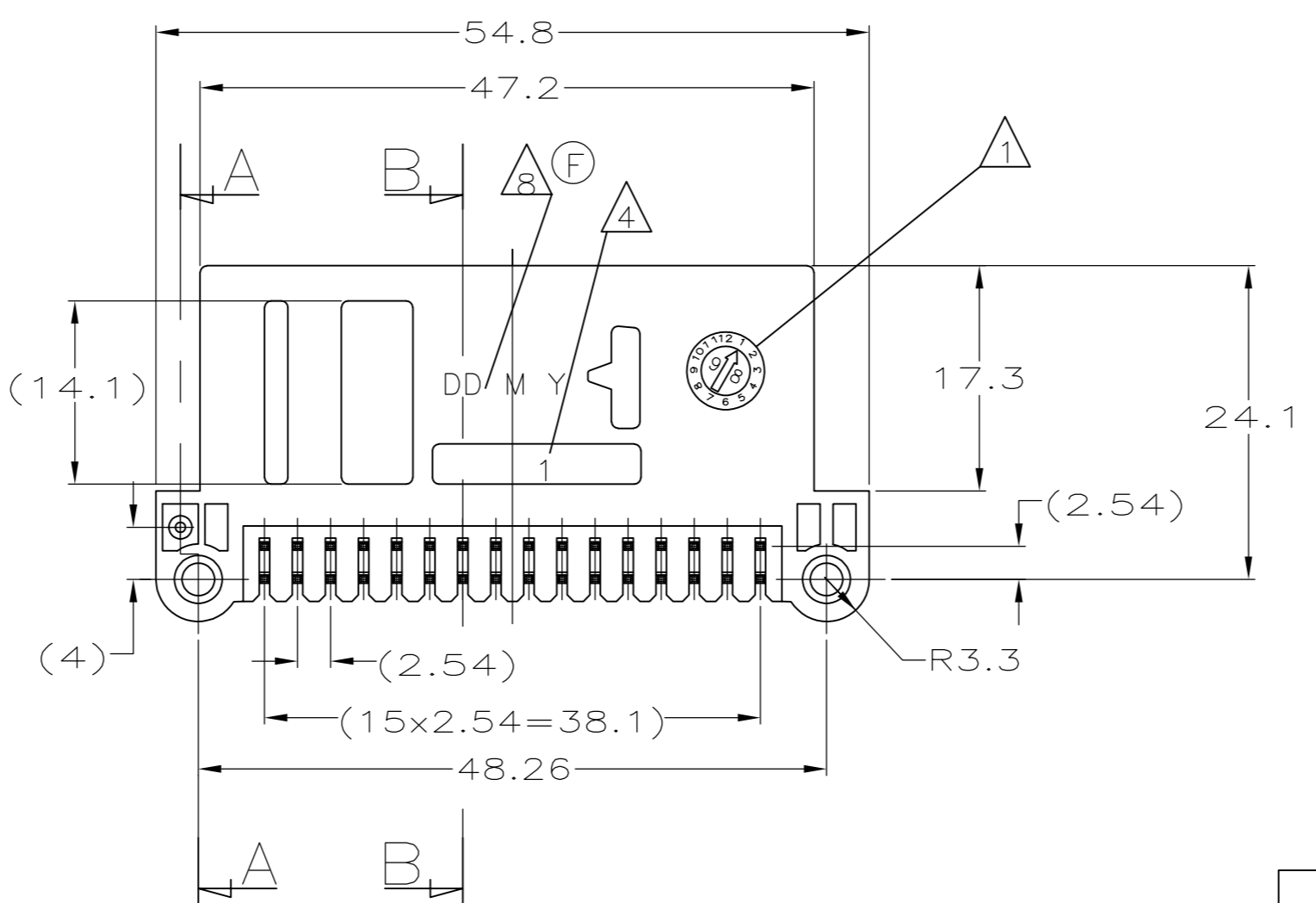
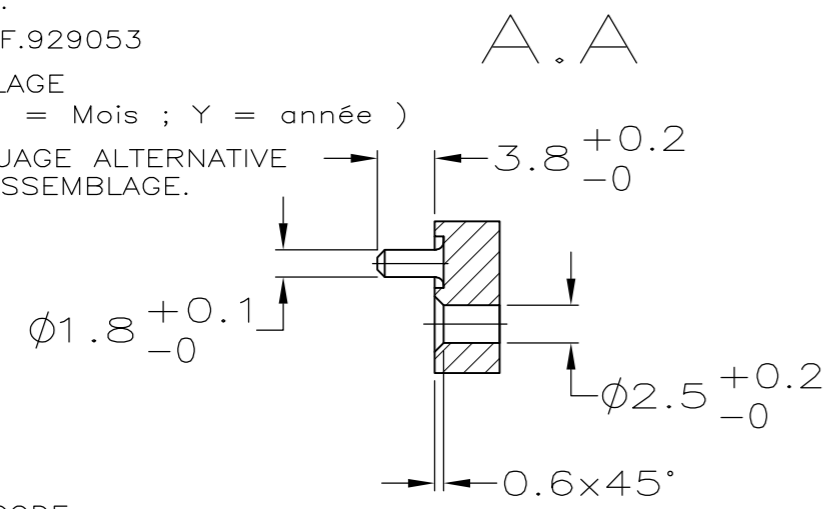


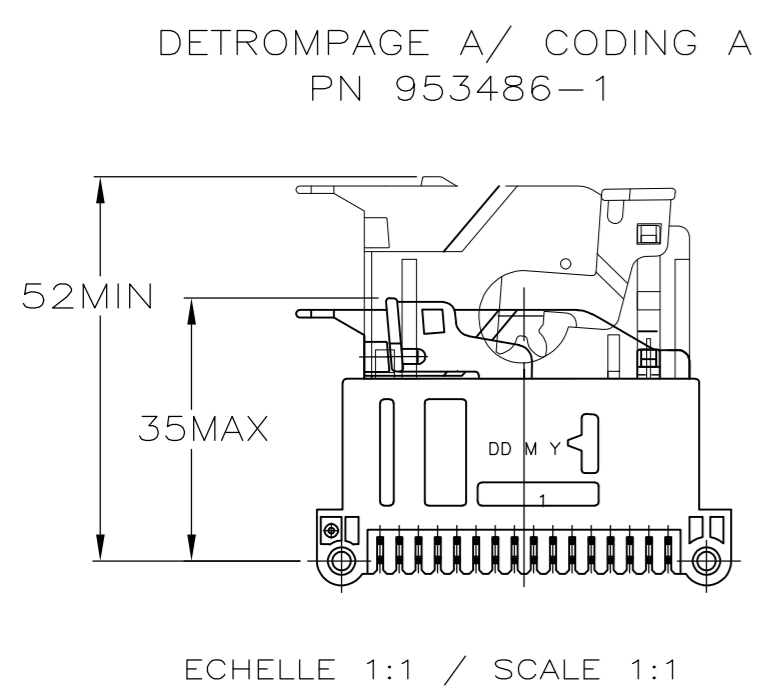
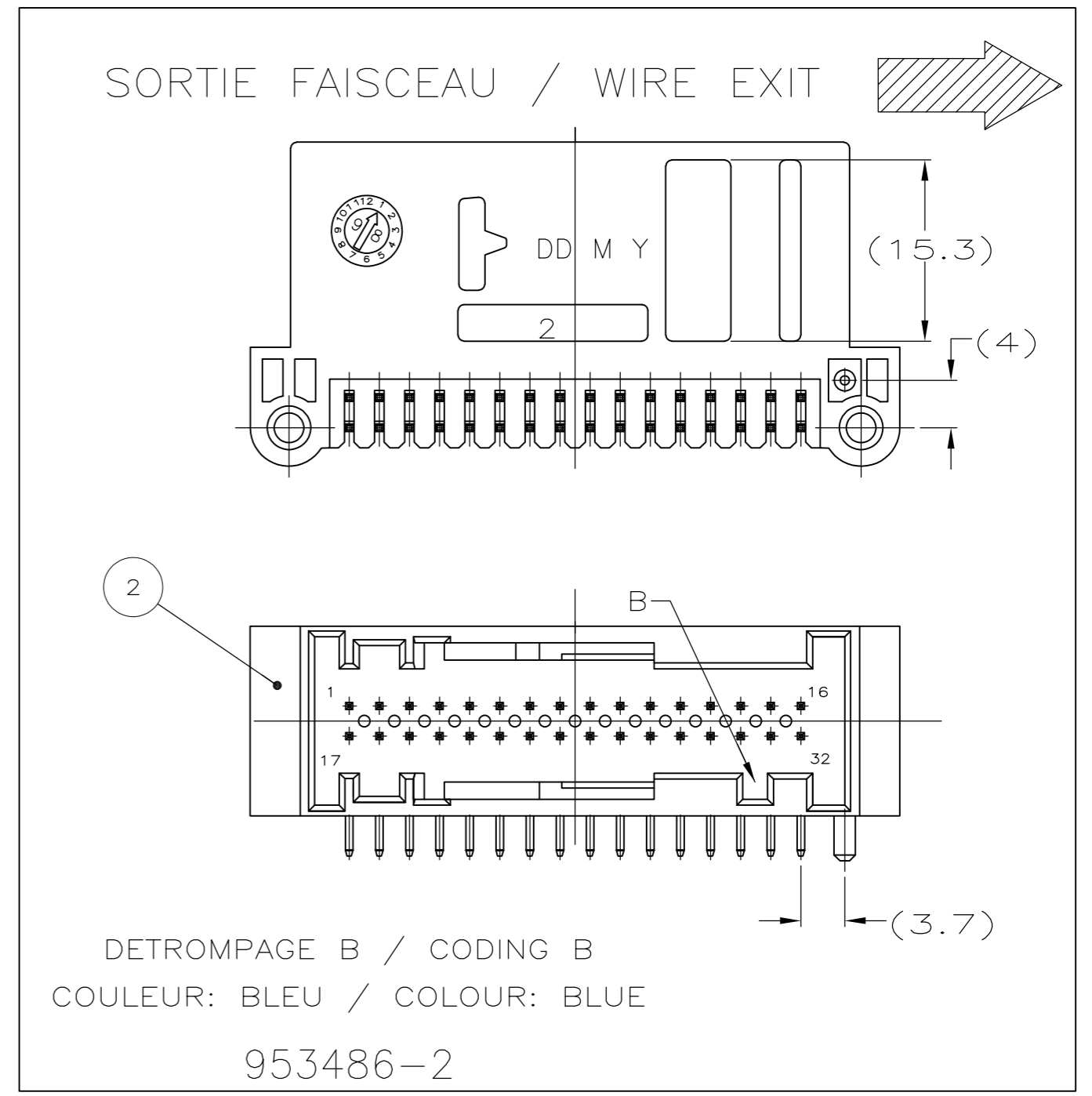
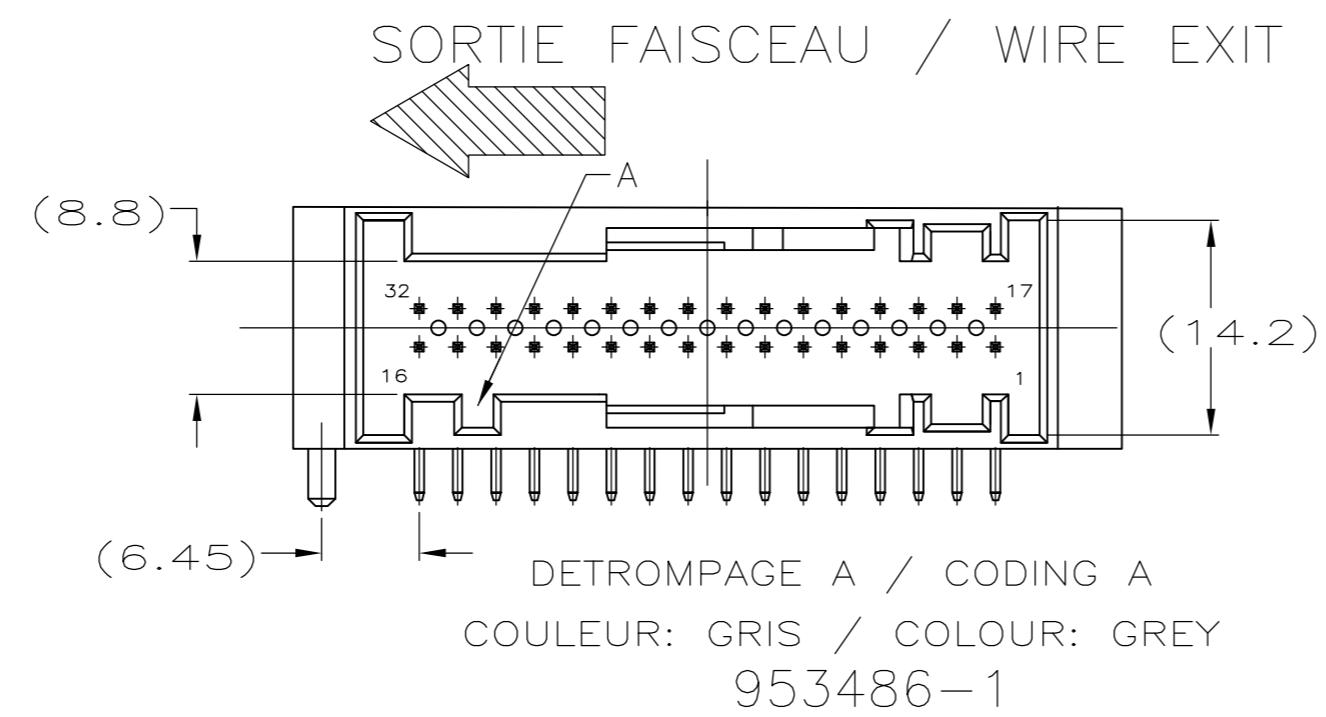
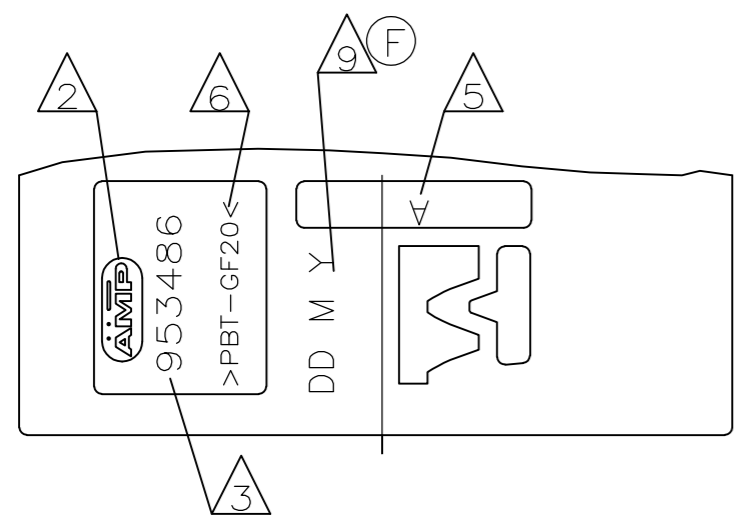
THIS DRAWING IS UNPUBLISHED.  
 DIFFUSION RESTREINTE AMP  
 © COPYRIGHT - By TE  
 RELEASED FOR PUBLICATION  
 ALL RIGHTS RESERVED.  
 TOUS DROITS RESERVES.

LOC	DIST	REVISIONS				
P	LTR	REV	DESCRIPTION MODIFICATIONS	DATE	DWN DESS	APVD APP
		E	UP DATE THE DRAWING	17-JUN-04	NT.N	J.L
		F	POSITION CHANGE FOR THE ASSY DATE CODE	05-AUG-09	NT.N	J.L
		G	3.5 +0.3/-0.2 WAS 3.5 +/-0.2	06-OCT-09	NT.N	J.L
		H	ADDED THE P/NS 953486-5 & -6	27OCT14	NT.N	J.L

- NOTES:
- 1 DATE DE MOULAGE
  - 2 LOGO DE TE
  - 3 REFERENCE DU PRODUIT ASSEMBLE
  - 4 N° D'EMPREINTE DU MOULE
  - 5 REVISION DU MOULE
  - 6 MATIERE
  - 7 CONTRE-PARTIE:  
CONNECTEUR REF.929053
  - 8 DATE D'ASSEMBLAGE  
(DD = Jour ; M = Mois ; Y = année )
  - 9 ZONE DE MARQUAGE ALTERNATIVE DE LA DATE D'ASSEMBLAGE.



- NOTES:
- 1 HOUSING DATE CODE
  - 2 TE LOGO
  - 3 ASSY PART NUMBER
  - 4 CAVITY MARKING
  - 5 REVISION STATUS A FOR PN953486-1  
B FOR PN953486-2
  - 6 MATERIAL REFERENCE
  - 7 MATING PART:  
CONNECTOR PN 929053
  - 8 ASSY DATE CODE  
(DD = Day ; M = Month ; Y = Year )
  - 9 ALTERNATIVE AREA FOR ASSY DATE MARKING.



QTY	MATERIAL	DESIGNATION / NAME	COULEUR / COLOR	ITEM	
16	16	CuSn6	MQS LONG CONTACT	POST ETAME / POST TIN	4
16	16	CuSn6	MQS SHORT CONTACT	POST ETAME / POST TIN	3
1	-	PBT GF20	BOITIER / HOUSING	BLEU / BLUE	2
-	1	PBT GF20	BOITIER / HOUSING	GRIS / GREY	1

THIS DRAWING IS A CONTROLLED DOCUMENT.  
 CE SCHÉMA EST UN DOCUMENT CONTROLÉ

TOLERANCES UNLESS OTHERWISE SPECIFIED: (SUIV NB DE DECIMALES):  
 0-PLC/DÉE ± -  
 1-PLC/DÉE ± 0.3  
 2-PLC/DÉE ± -  
 3-PLC/DÉE ± -  
 4-PLC/DÉE ± -  
 ANGLES ± 5°

FINISH FINITION -

WEIGHT MASSE APPROX 10.7 g

CUSTOMER DRAWING/PLAN CLIENT UNIFORMEMENT POUR REFERENCE

DWN/DESSINE 01-JUL-98  
 Jacques LAQUERBE  
 CHK/VERIFIE 18-JUN-99  
 J.LAQUERBE  
 APVD/APPROUVE 18-JUN-99  
 JJ.REVIL  
 PRODUCT SPEC SPEC. PRODUIT 108-15211  
 APPLICATION SPEC SPEC. APPLICATION -

TE Connectivity

NAME TITRE EMBASE 32V MQS COUDEE AVEC OREILLES  
 32W MQS RIGHT ANGLE HEADER WITH EARS

SIZE FORMAT A2 CAGE CODE 00779 C=953486 DRAWING NO No PLAN RESTRICTED TO -

SCALE ECHELLE 2:1 SHEET FEUILLE 1 DE 7 REV H

THIS DRAWING IS UNPUBLISHED.  
 DIFFUSION RESTREINTE AMP  
 © COPYRIGHT - By TE  
 RELEASED FOR PUBLICATION  
 ALL RIGHTS RESERVED.  
 TOUS DROITS RESERVES.

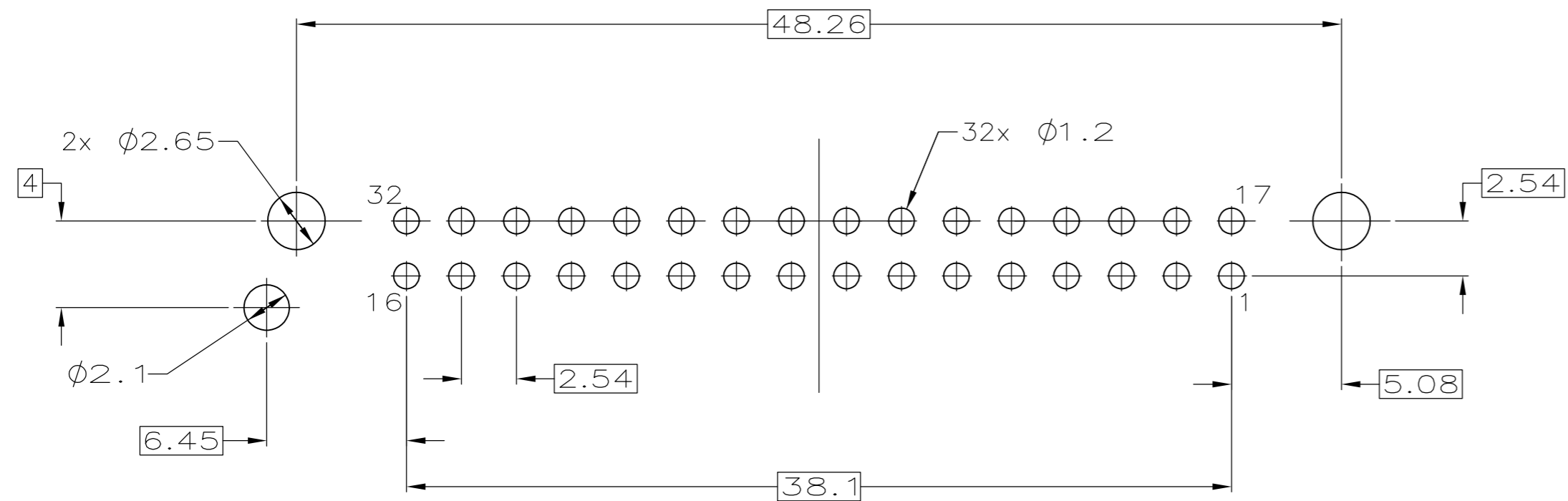
LOC	DIST	REVISIONS			
P	LTR REV	DESCRIPTION MODIFICATIONS	DATE	DWN DESS	APVD APP
F	7	SEE SHEET 1	-	-	-

RECOMMANDATION IMPLANTATION CI

RECOMMENDED PCB LAYOUT

VUE DE DESSUS / VIEW FROM HEADER MOUNTING SIDE

EPAISSEUR CI / PCB THICKNESS : 1.6±0.15



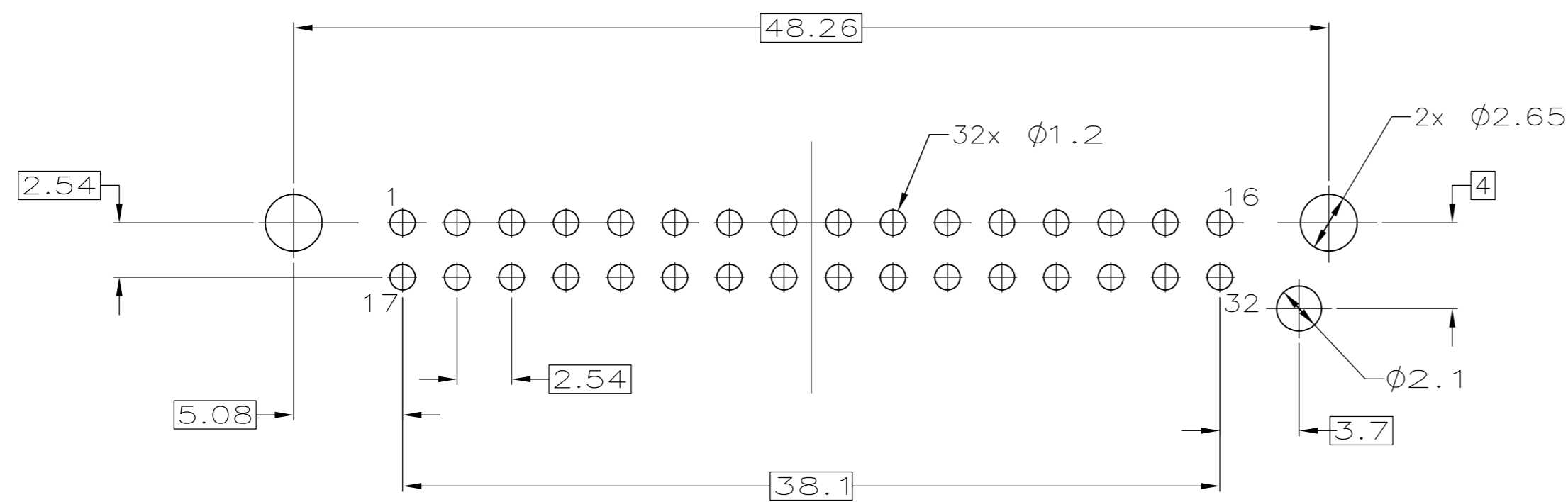
COULEUR: GRIS / COLOUR: GREY

953486-1

2-953486-1

COULEUR: BLEU / COLOUR: BLUE

953486-4



COULEUR: BLEU / COLOUR: BLUE

953486-2

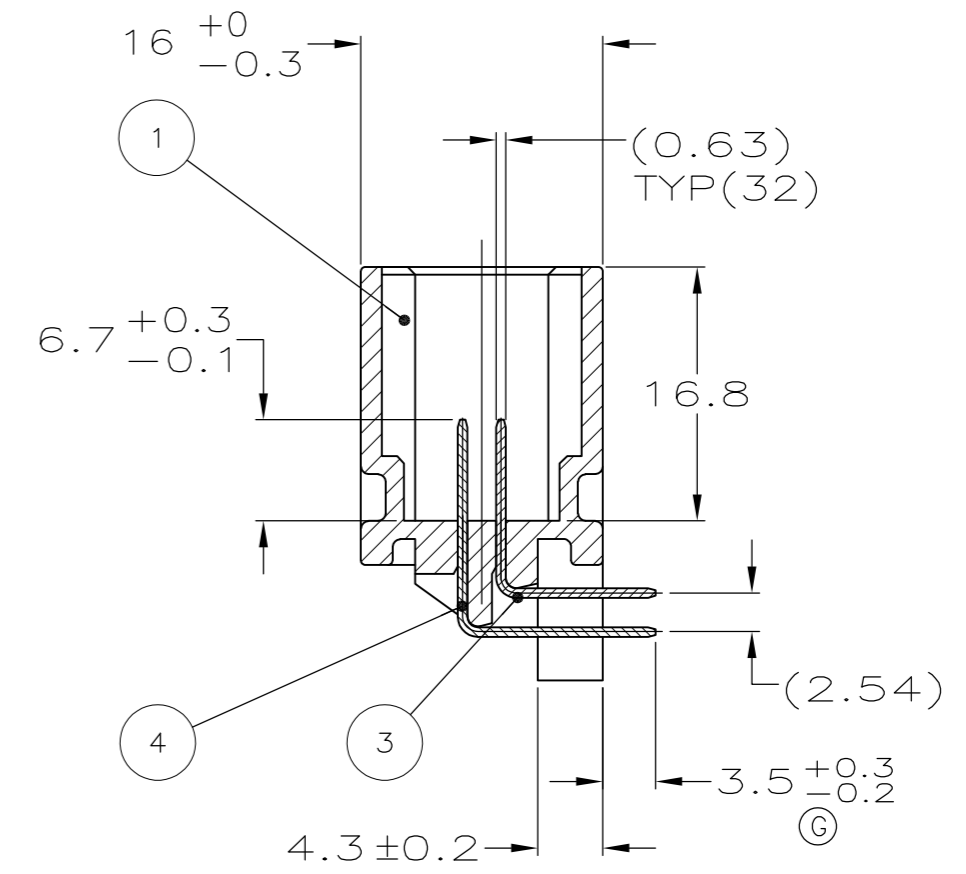
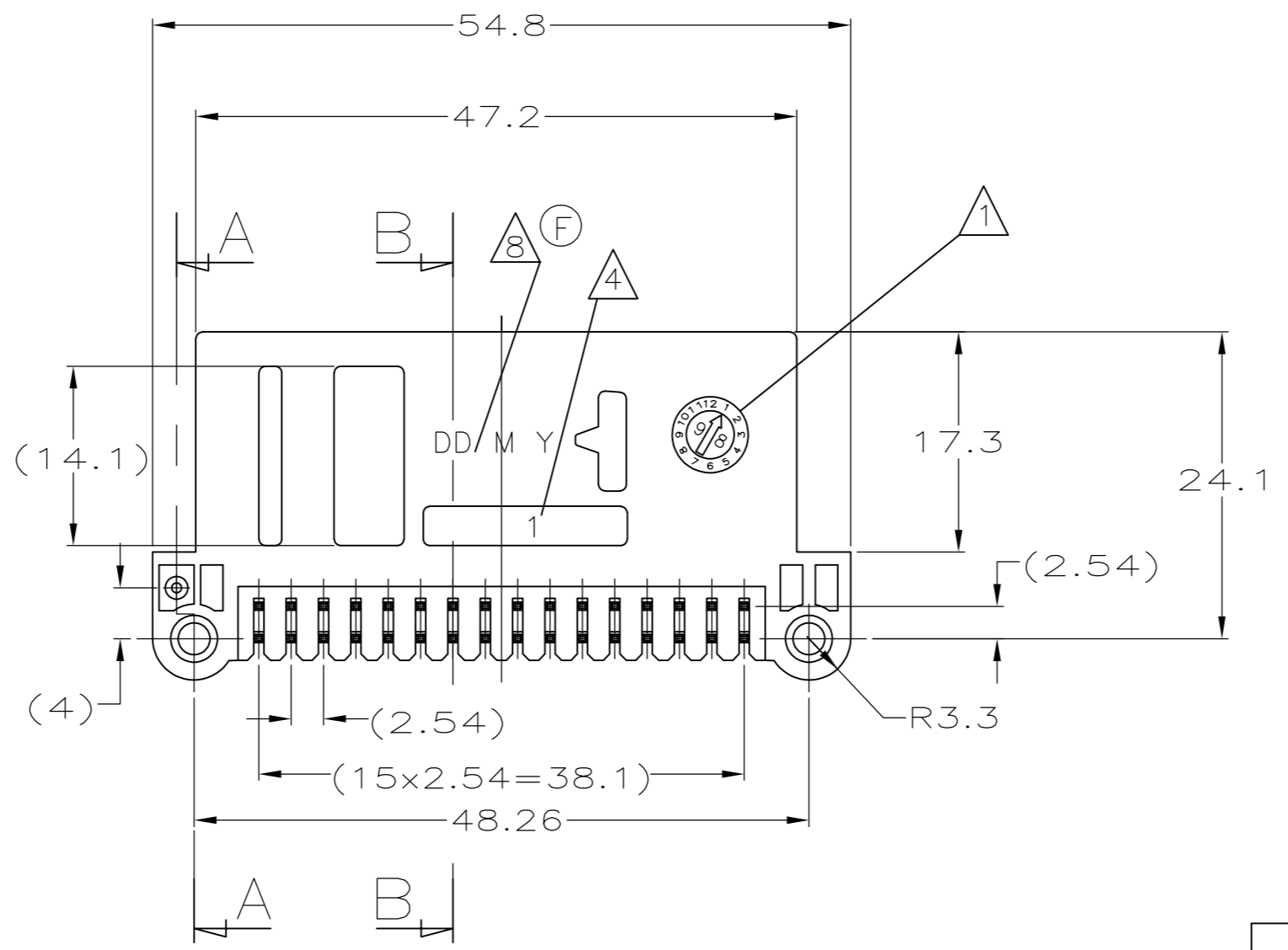
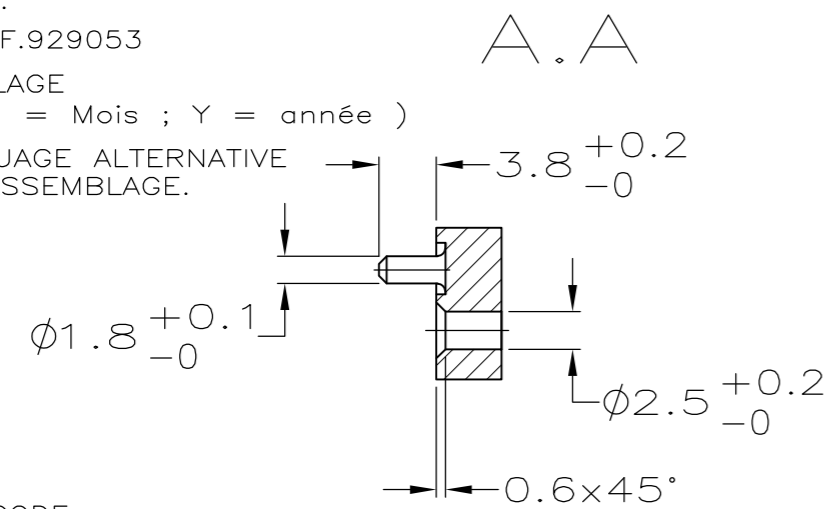
2-953486-2

THIS DRAWING IS A CONTROLLED DOCUMENT. CE SCHÉMA EST UN DOCUMENT CONTROLÉ		DWN/DESSINE Jacques LAQUERBE 01-JUL-98	 TE Connectivity	
TOLERANCES UNLESS OTHERWISE SPECIFIED: TOLERANCES NON SPECIFIEES (SUIV NB DE DECIMALES):		CHK/VERIFIE J.LAQUERBE 18-JUN-99		
DIMENSIONS: mm	0-PLC/ZDEE ± - 1-PLC/ZDEE ± 0.3 2-PLC/ZDEE ± - 3-PLC/ZDEE ± - 4-PLC/ZDEE ± - ANGLES ± 5°	APVD/APPROUVE JJ.REVIL 18-JUN-99	NAME TITRE EMBASE 32V MQS COUDEE AVEC OREILLES 32W MQS RIGHT ANGLE HEADER WITH EARS	
MATERIAL MATIERE	FINISH FINITION	PRODUCT SPEC SPEC. PRODUIT 108-15211	SIZE FORMAT A2	RESTRICTED TO -
		APPLICATION SPEC SPEC. APPLICATION	CAGE CODE 00779	DRAWING NO No PLAN C=953486
		WEIGHT MASSE APPROX. -	UNIQUEMENT POUR REFERENCE	SCALE EHELLE 4:1
		CUSTOMER DRAWING/PLAN CLIENT		SHEET FEUILLE 2 DE 7
				REV H

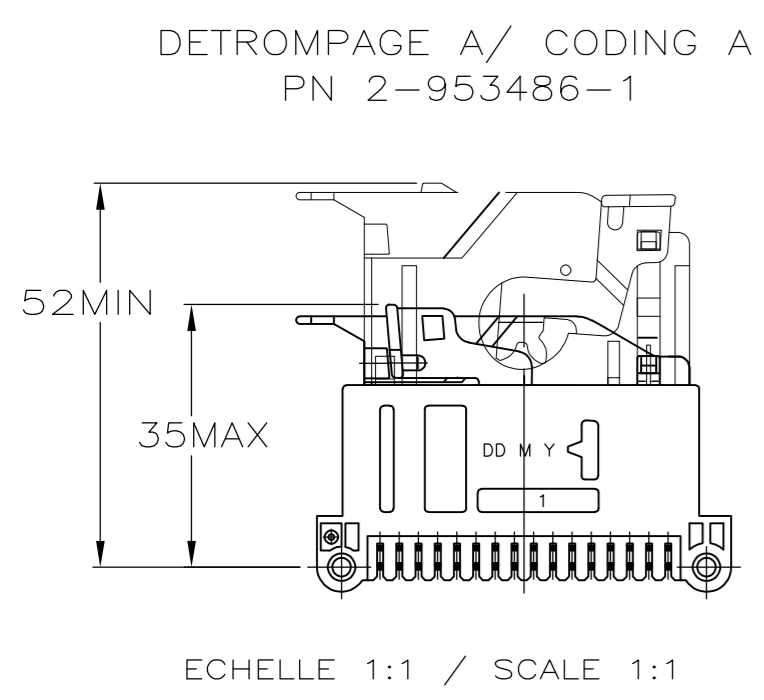
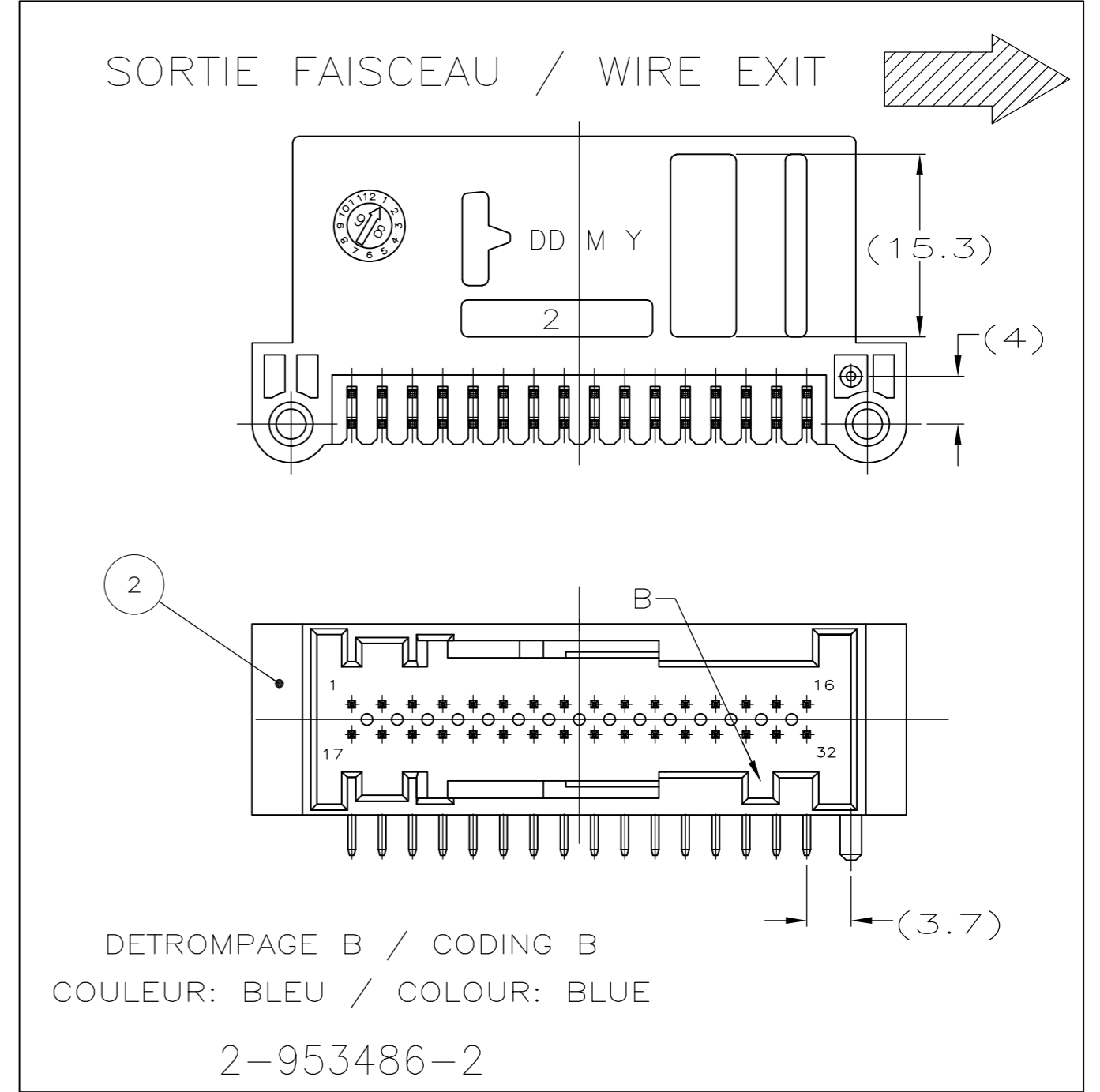
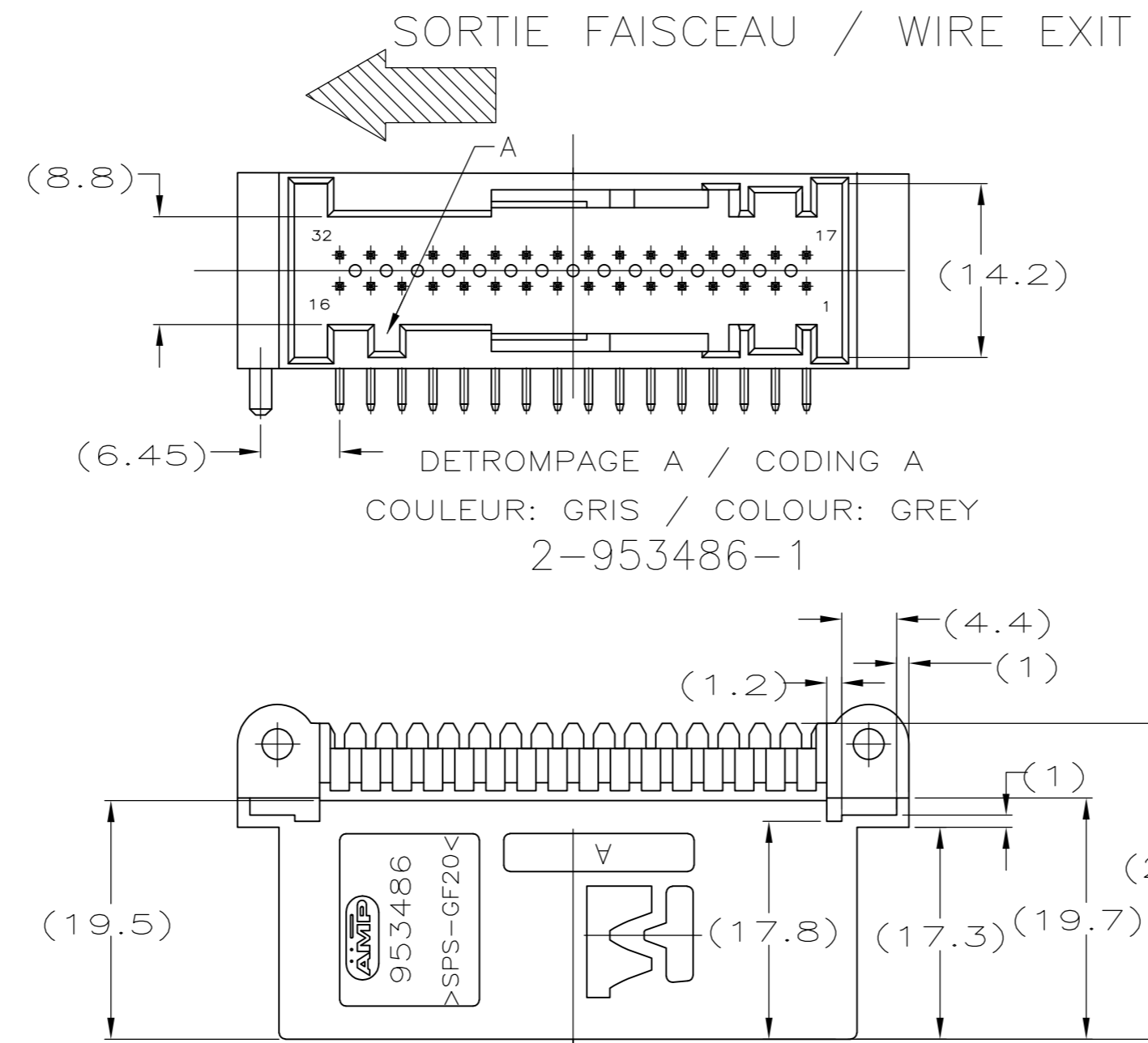
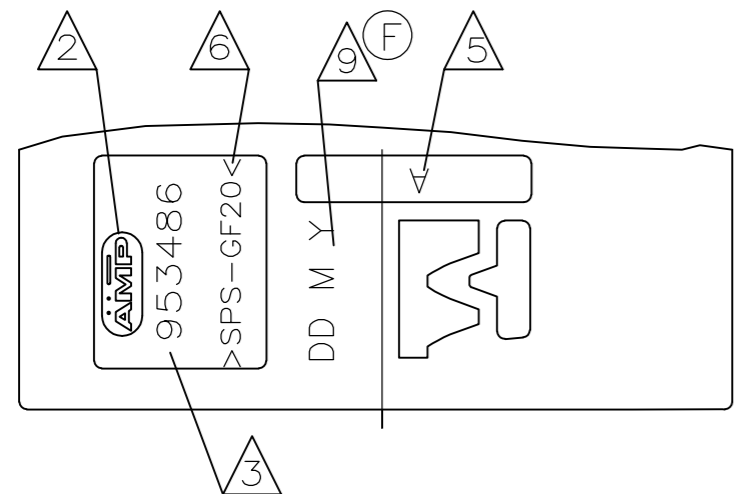
THIS DRAWING IS UNPUBLISHED.  
 DIFFUSION RESTREINTE AMP  
 © COPYRIGHT - By TE  
 RELEASED FOR PUBLICATION  
 ALL RIGHTS RESERVED.  
 TOUS DROITS RESERVES.

LOC	DIST	REVISIONS						
F	7	P	LTR	REV	DESCRIPTION	DATE	DWN	APVD
		-	-	-	SEE SHEET 1	-	-	-

- NOTES:
- 1 DATE DE MOULAGE
  - 2 LOGO DE TE
  - 3 REFERENCE DU PRODUIT ASSEMBLE
  - 4 N° D'EMPREINTE DU MOULE
  - 5 REVISION DU MOULE
  - 6 MATIERE
  - 7 CONTRE-PARTIE:  
CONNECTEUR REF.929053
  - 8 DATE D'ASSEMBLAGE  
(DD = Jour ; M = Mois ; Y = année )
  - 9 ZONE DE MARQUAGE ALTERNATIVE  
DE LA DATE D'ASSEMBLAGE.



- NOTES:
- 1 HOUSING DATE CODE
  - 2 TE LOGO
  - 3 ASSY PART NUMBER
  - 4 CAVITY MARKING
  - 5 REVISION STATUS A FOR PN 2-953486-1  
B FOR PN 2-953486-2
  - 6 MATERIAL REFERENCE
  - 7 MATING PART:  
CONNECTOR PN 929053
  - 8 ASSY DATE CODE  
(DD = Day ; M = Month ; Y = Year )
  - 9 ALTERNATIVE AREA FOR ASSY DATE MARKING.



ASSY. PN	QTY	MATERIAL	DESIGNATION / NAME	COULEUR / COLOR	ITEM
2-953486-2	16	CuSn6	MQS LONG CONTACT	POST ETAME / POST TIN	4
2-953486-1	16	CuSn6	MQS SHORT CONTACT	POST ETAME / POST TIN	3
	1	SPS GF20	BOITIER / HOUSING	BLEU / BLUE	2
	1	SPS GF20	BOITIER / HOUSING	GRIS / GREY	1

THIS DRAWING IS A CONTROLLED DOCUMENT.  
 CE SCHÉMA EST UN DOCUMENT CONTROLÉ

TOLERANCES UNLESS OTHERWISE SPECIFIED: (SUIV NB DE DECIMALES):  
 0-PLC/ZDEE ± -  
 1-PLC/ZDEE ± 0.3  
 2-PLC/ZDEE ± -  
 3-PLC/ZDEE ± -  
 4-PLC/ZDEE ± -  
 ANGLES ± 5°

FINISH FINITION -

WEIGHT MASSE APPROX 10.0 g

CUSTOMER DRAWING/PLAN CLIENT UNIFORMEMENT POUR REFERENCE

SCALE ECHELLE 2:1

DATE: 25-JAN-00  
 DWN/DESSINE: Jacques LAQUERBE  
 CHK/VERIFIE: J.LAQUERBE  
 APVD/APPROUVE: JJ.REVIL  
 PRODUCT SPEC: 108-15211  
 APPLICATION SPEC: -

NAME TITRE: EMBASE 32V MQS COUEE AVEC OREILLES 32W MQS RIGHT ANGLE HEADER WITH EARS

SIZE FORMAT: A2  
 CAGE CODE: 00779  
 DRAWING NO: C=953486

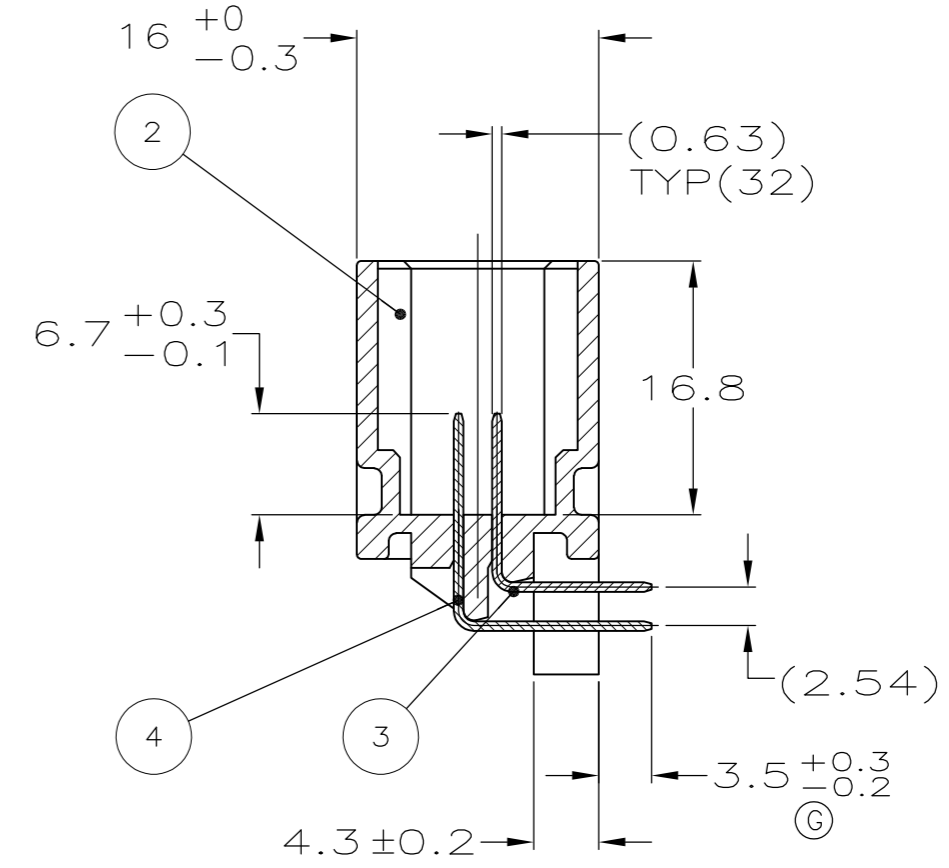
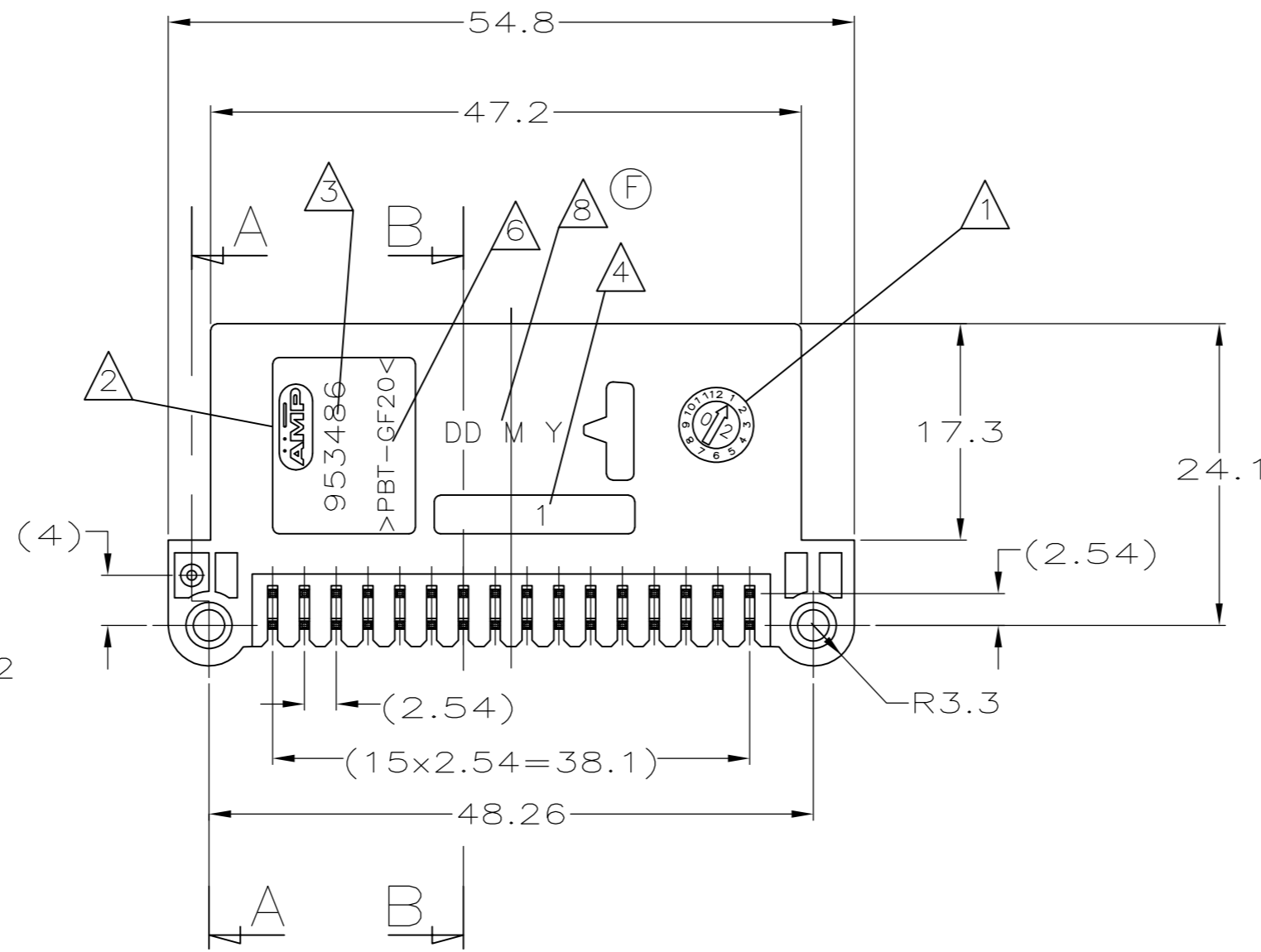
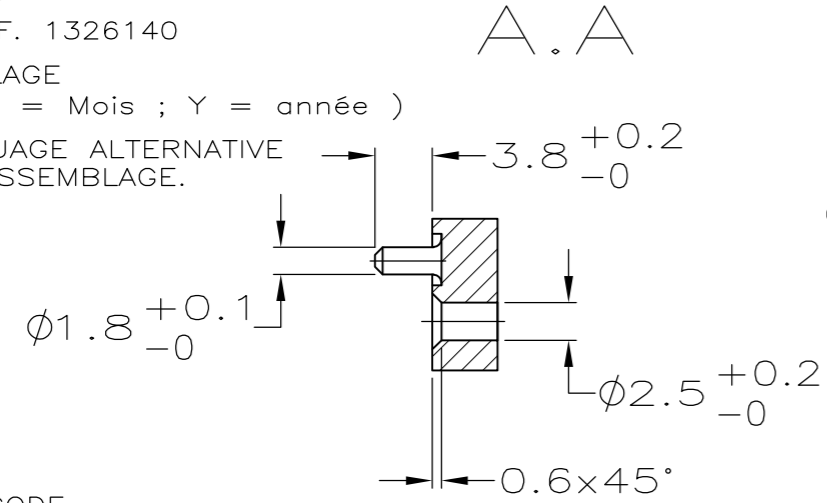
RESTRICTED TO: -

SHEET FEUILLE 3 DE 7  
 REV H

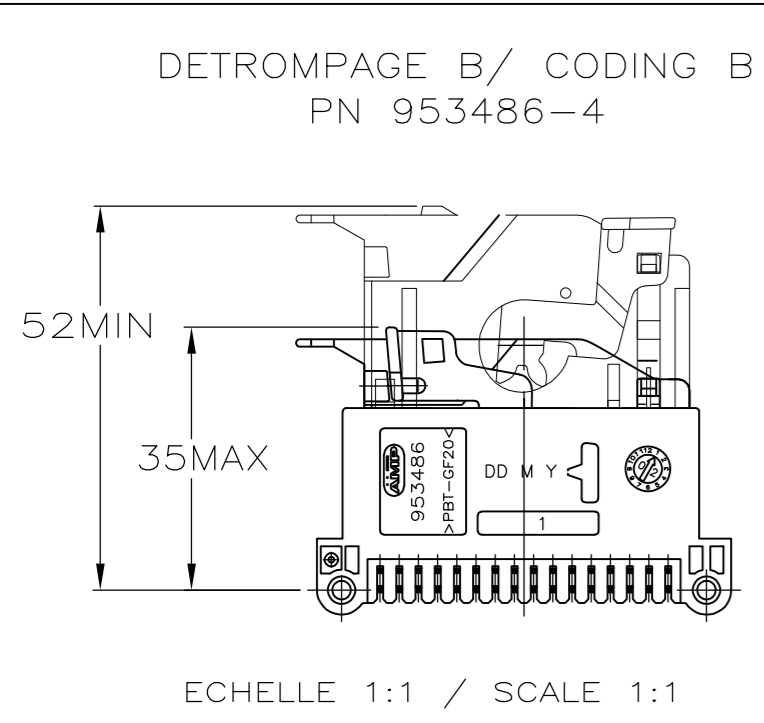
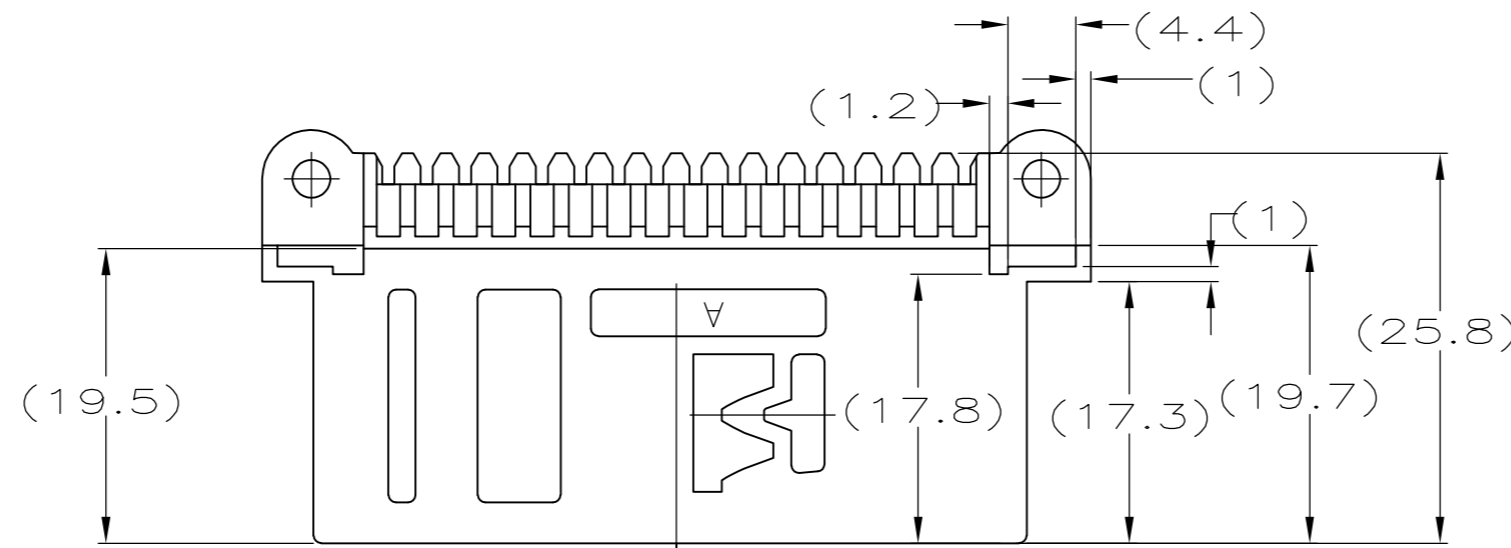
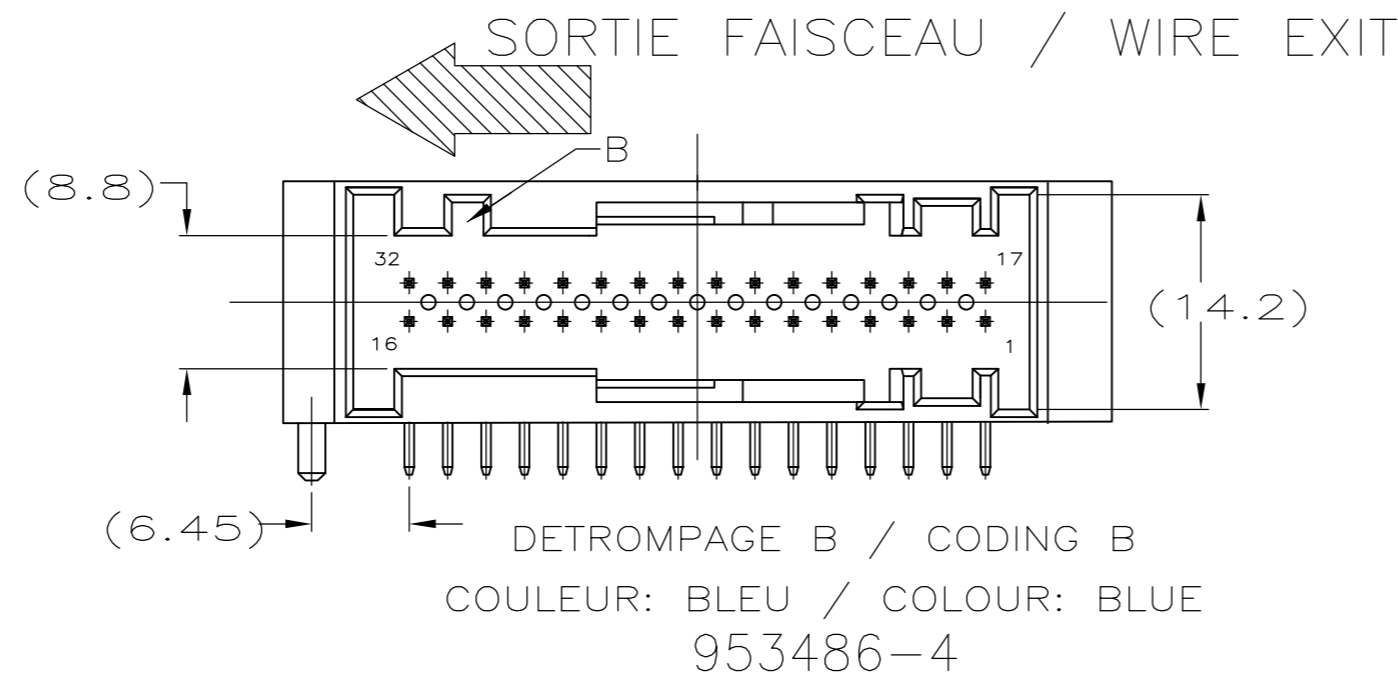
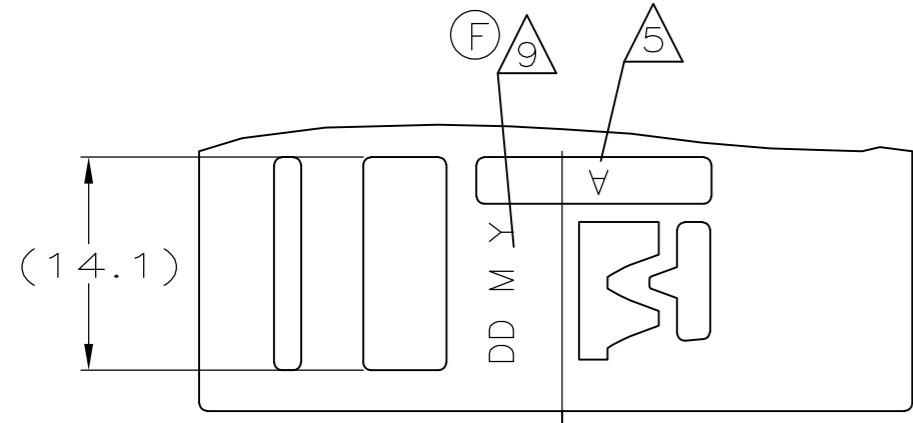
THIS DRAWING IS UNPUBLISHED.  
 DIFFUSION RESTREINTE AMP  
 © COPYRIGHT - By TE  
 RELEASED FOR PUBLICATION  
 ALL RIGHTS RESERVED.  
 TOUS DROITS RESERVES.

LOC	DIST	REVISIONS						
F	7	P	LTR	REV	DESCRIPTION	DATE	DWN	APVD
		-	-	-	SEE SHEET 1	-	-	-

- NOTES:
- 1 DATE DE MOULAGE
  - 2 LOGO DE TE
  - 3 REFERENCE DU PRODUIT ASSEMBLE
  - 4 N° D'EMPREINTE DU MOULE
  - 5 REVISION DU MOULE
  - 6 MATIERE
  - 7 CONTRE-PARTIE:  
CONNECTEUR REF. 1326140
  - 8 DATE D'ASSEMBLAGE  
(DD = Jour ; M = Mois ; Y = année )
  - 9 ZONE DE MARQUAGE ALTERNATIVE  
DE LA DATE D'ASSEMBLAGE.



- NOTES:
- 1 HOUSING DATE CODE
  - 2 TE LOGO
  - 3 ASSY PART NUMBER
  - 4 CAVITY MARKING
  - 5 REVISION STATUS [A]
  - 6 MATERIAL REFERENCE
  - 7 MATING PART:  
CONNECTOR PN 1326140
  - 8 ASSY DATE CODE  
(DD = Day ; M = Month ; Y = Year )
  - 9 ALTERNATIVE AREA FOR ASSY DATE MARKING.



ASSY. PN	953486-4				
16	16	CuSn6	MQS LONG CONTACT	POST ETAME / POST TIN	4
16	16	CuSn6	MQS SHORT CONTACT	POST ETAME / POST TIN	3
1	-	PBT GF20	BOITIER / HOUSING	BLEU / BLUE	2
-	-	-	-	-	1
QTY	MATERIAL	DESIGNATION / NAME	COULEUR / COLOR	ITEM	

THIS DRAWING IS A CONTROLLED DOCUMENT.  
 CE SCHÉMA EST UN DOCUMENT CONTROLÉ

TOLERANCES UNLESS OTHERWISE SPECIFIED: (SUIV NB DE DECIMALES):  
 0-PLC/ZDEE ± -  
 1-PLC/ZDEE ± 0.3  
 2-PLC/ZDEE ± -  
 3-PLC/ZDEE ± -  
 4-PLC/ZDEE ± -  
 ANGLES ± 5°

FINISH FINITION -

WEIGHT MASSE APPROX 10.7 g

CUSTOMER DRAWING/PLAN CLIENT UNIFORMEMENT POUR REFERENCE

DWN/DESSINE Jacques LAQUERBE 07-JAN-02  
 CHK/VERIFIE J.LAQUERBE 16-MAY-02  
 APVD/APPROUVE JJ.REVIL  
 PRODUCT SPEC 108-15211  
 APPLICATION SPEC

TE Connectivity  
 EMBASE 32V MQS COUEE AVEC OREILLES  
 32W MQS RIGHT ANGLE HEADER WITH EARS

NAME TITRE  
 SIZE FORMAT A2  
 CAGE CODE 00779  
 DRAWING NO No PLAN C=953486  
 RESTRICTED TO -

SCALE ECHELLE 2:1  
 SHEET FEUILLE 4 DE 7  
 REV H

4

3

2

1

THIS DRAWING IS UNPUBLISHED. RELEASED FOR PUBLICATION  
 © COPYRIGHT - By TE ALL RIGHTS RESERVED.

LOC	DIST	REVISIONS					
		P	LTR	DESCRIPTION	DATE	DWN	APVD
F	7	-	-	SEE SHEET 1	-	-	-

NOTES:

- DATE DE MOULAGE
- LOGO DE TE
- REFERENCE DU PRODUIT ASSEMBLE
- N° D'EMPREINTE DU MOULE
- REVISION DU MOULE
- MATIERE
- CONTRE-PARTIE:  
CONNECTEUR REF.929053
- DATE D'ASSEMBLAGE  
(DD = Jour ; M = Mois ; Y = année )
- ZONE DE MARQUAGE ALTERNATIVE  
DE LA DATE D'ASSEMBLAGE.

NOTES:

- HOUSING DATE CODE
- TE LOGO
- ASSY PART NUMBER
- CAVITY MARKING
- REVISION STATUS  FOR PN953486-3

- MATERIAL REFERENCE
- MATING PART:  
CONNECTOR PN 929053
- ASSY DATE CODE  
(DD = Day ; M = Month ; Y = Year )
- ALTERNATIVE AREA FOR ASSY DATE MARKING.

SORTIE FAISCEAU / WIRE EXIT

DETROMPAGE A / CODING A  
COULEUR: GRIS / COLOUR: GREY  
953486-3

RECOMMANDATION IMPLANTATION CI  
RECOMMENDED PCB LAYOUT

VUE DE DESSUS / VIEW FROM HEADER MOUNTING SIDE

EPAISSEUR CI / PCB THICKNESS : 1.6±0.15

COULEUR: GRIS / COLOUR: GREY  
953486-3

DETROMPAGE A / CODING A  
953486-3

ECHELLE 1:1 / SCALE 1:1

ASSY. PN	QTY	MATERIAL	DESIGNATION / NAME	COULEUR / COLOR	ITEM
-	16	CuSn6	MQS LONG CONTACT	ETAME / TIN	3
-	16	CuSn6	MQS SHORT CONTACT	ETAME / TIN	2
-	1	PBT GF20	BOITIER / HOUSING (VERSION AVEC 2 PIONS / WITH 2 PINS KEYING VERSION)	GRIS / GREY	1
953486-3					

THIS DRAWING IS A CONTROLLED DOCUMENT.

DIMENSIONS: mm

TOLERANCES UNLESS OTHERWISE SPECIFIED:

0-PLC	±	-
1-PLC	±	0.3
2-PLC	±	-
3-PLC	±	-
4-PLC	±	-
ANGLES	±	5°
FINISH		

MATERIAL: -

17-FEB-04

DWN: NT.NGUYEN  
CHK: J.LALANGE  
APVD: JJ.REVIL

PRODUCT SPEC: 108-15211  
APPLICATION SPEC: -

WEIGHT: 10.7 g

CUSTOMER DRAWING

TE Connectivity

EMBASE 32V MQS COUDEE AVEC OREILLES  
32W MQS RIGHT ANGLE HEADER WITH EARS

SIZE: A2 CAGE CODE: 00779 DRAWING NO: C=953486 RESTRICTED TO: -

SCALE: 2:1 SHEET: 5 of 7 REV: H

1471-9 (3/11)

953486

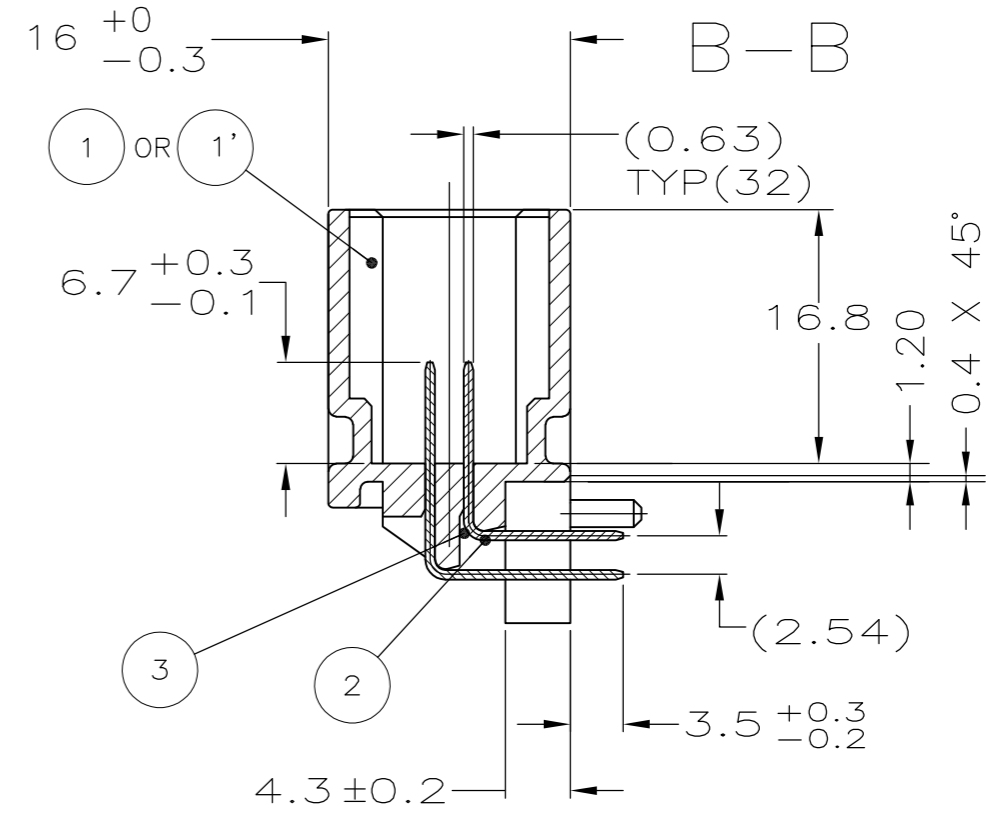
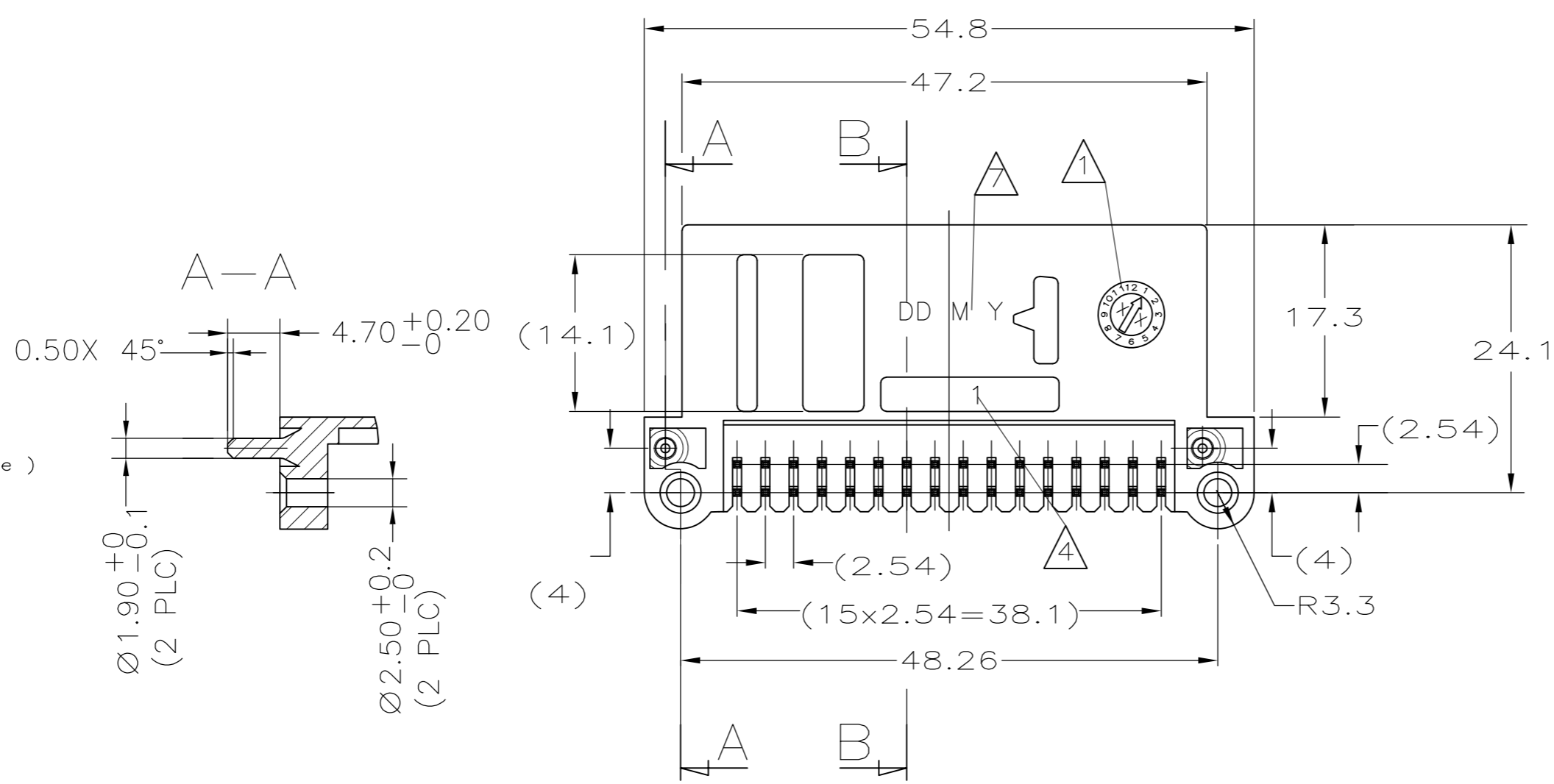
B

A

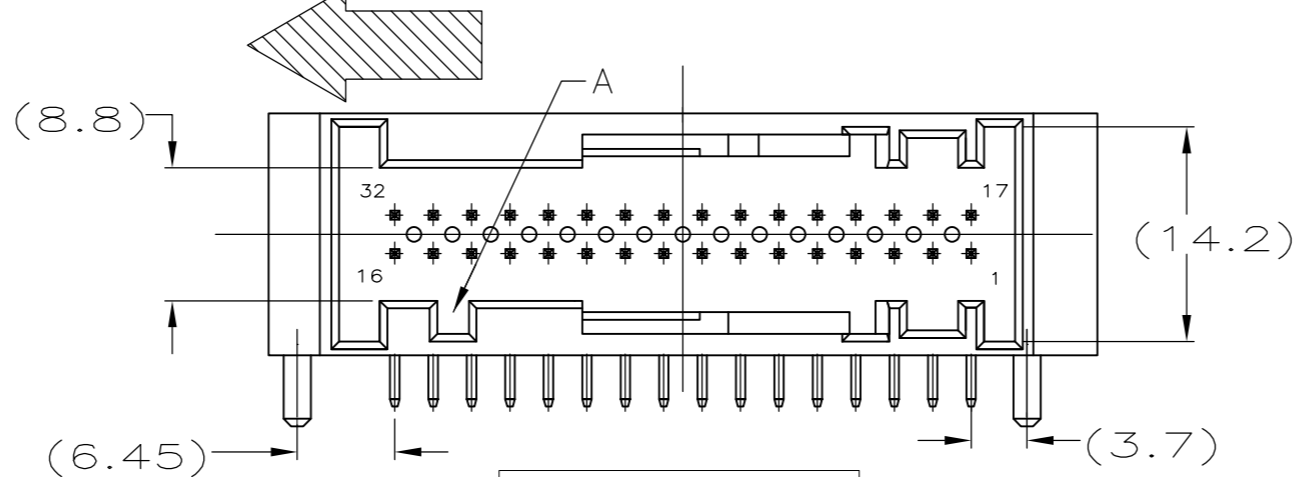
THIS DRAWING IS UNPUBLISHED.  
 DIFFUSION RESTREINTE AMP  
 © COPYRIGHT - By TE  
 RELEASED FOR PUBLICATION  
 ALL RIGHTS RESERVED.  
 TOUS DROITS RESERVES.

LOC		DIST		REVISIONS			
P	LTR	REV	DESCRIPTION	DATE	DWN	DESS	APVD
-	-	-	SEE SHEET 1	-	-	-	-

- NOTES:**
- ① DATE DE MOULAGE
  - ② LOGO DE TE
  - ③ REFERENCE DU PRODUIT ASSEMBLE
  - ④ N° D'EMPREINTE DU MOULE
  - ⑤ MATIERE
  - 6 CONTRE-PARTIE:  
CONNECTEUR REF.929053
  - ⑦ DATE D'ASSEMBLAGE  
(DD = Jour ; M = Mois ; Y = année )
  - ⑧ ZONE DE MARQUAGE ALTERNATIVE  
DE LA DATE D'ASSEMBLAGE.
- NOTES:**
- ① HOUSING DATE CODE
  - ② TE LOGO
  - ③ ASSY PART NUMBER
  - ④ CAVITY MARKING
  - ⑤ MATERIAL REFERENCE
  - 6 MATING PART:  
CONNECTOR PN 929053
  - ⑦ ASSY DATE CODE  
(DD = Day ; M = Month ; Y = Year )
  - ⑧ ALTERNATIVE AREA FOR ASSY DATE MARKING.

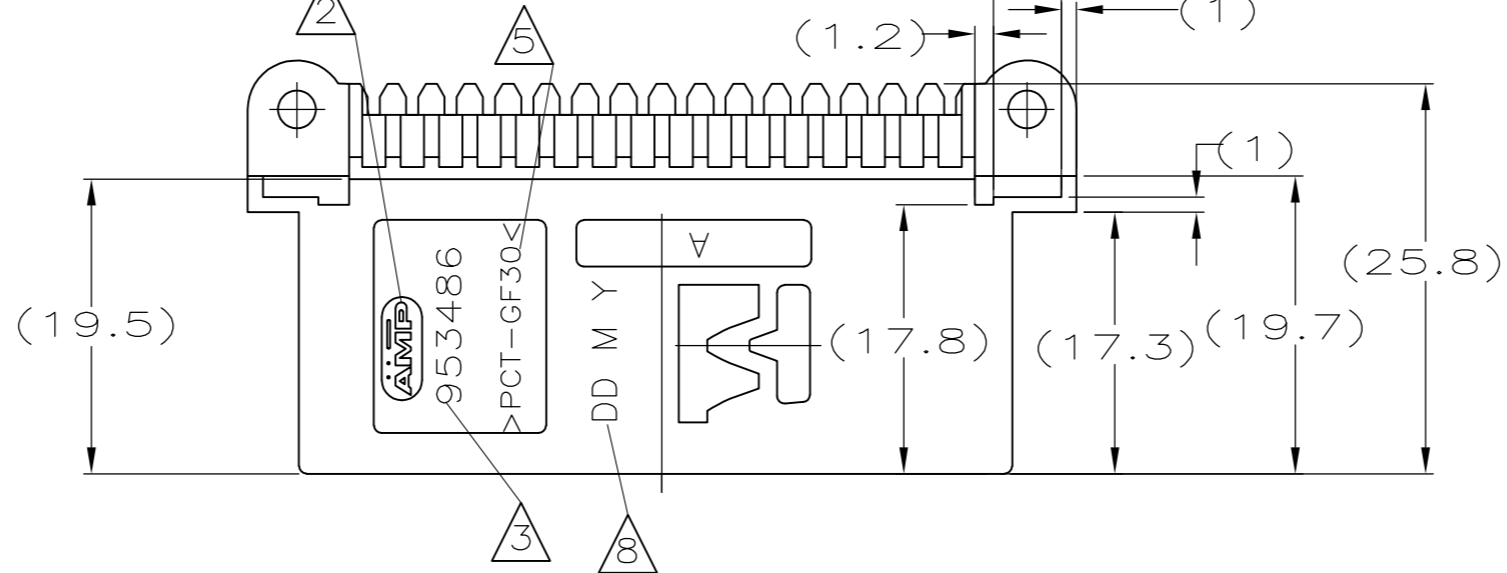


SORTIE FAISCEAU / WIRE EXIT

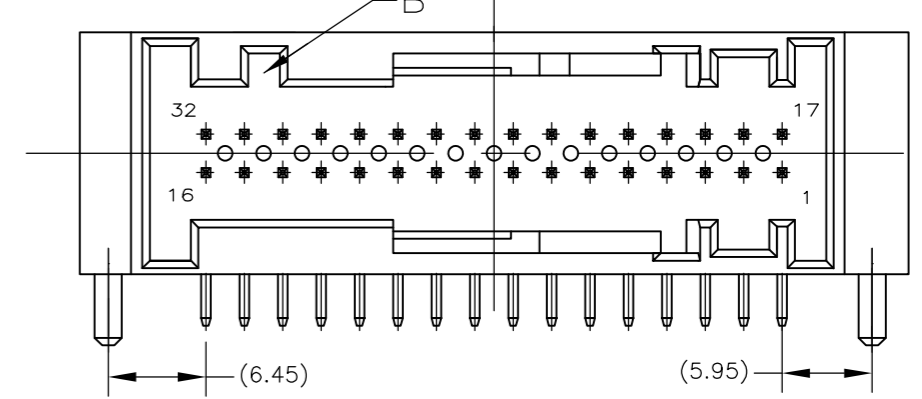


953486-5

DETROMPAGE A / CODING A  
(GRIS / GREY)



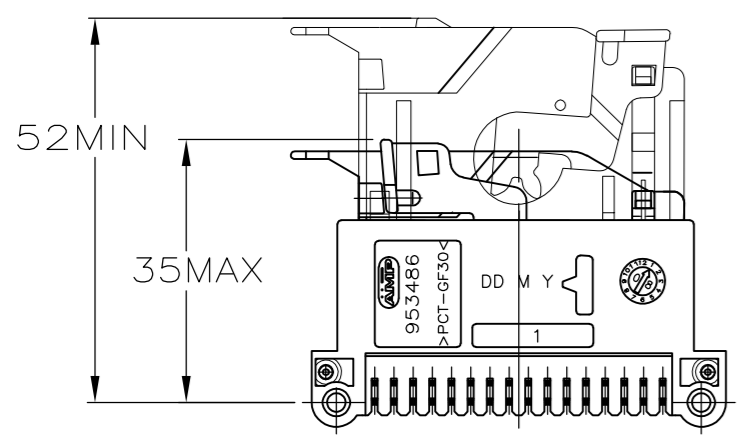
SORTIE FAISCEAU / WIRE EXIT



953486-6

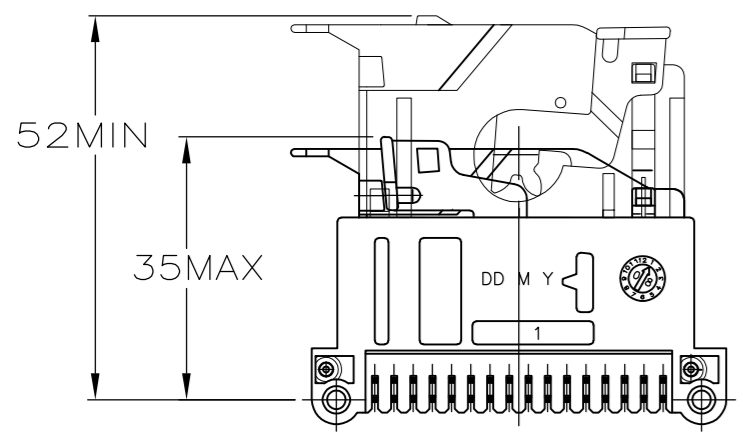
DETROMPAGE B / CODING B  
(BLEU / BLUE)

DETROMPAGE B / CODING B  
PN 953486-6



ECHELLE 1:1 / SCALE 1:1

DETROMPAGE A / CODING A  
PN 953486-5



ECHELLE 1:1 / SCALE 1:1

ASSY. PN	QTY	MATERIAL	DESIGNATION / NAME	COULEUR / COLOR	ITEM
953486-6	16	CuSn6	MQS LONG CONTACT	ETAME / TIN	③
953486-5	16		MQS SHORT CONTACT	ETAME / TIN	②
1	1	PCT GF30	BOITIER / HOUSING (VERSION AVEC 2 PIONS / WITH 2 PINS KEYING VERSION)	BLEU / BLUE	①'
1	1		BOITIER / HOUSING (VERSION AVEC 2 PIONS / WITH 2 PINS KEYING VERSION)	GRIS / GREY	①

THIS DRAWING IS A CONTROLLED DOCUMENT.  
 CE SCHÉMA EST UN DOCUMENT CONTROLÉ

DIMENSIONS: mm

TOLERANCES UNLESS OTHERWISE SPECIFIED: (SUIVANT LES DE DECIMALES):  
 1. PLC / DEC. -  
 2. PLC / DEC. ± 0.3  
 3. PLC / DEC. -  
 4. PLC / DEC. -  
 ANGLES ± 5°

FINISH FINITION -

WEIGHT MASSE APPROX 10.7 g

CUSTOMER DRAWING/PLAN CLIENT

DWN/DESSINE NT.NGUYEN  
 CHK/VERIFIE J.LALANGE  
 APVD/APPROUVE J.LALANGE

PRODUCT SPEC SPEC. PRODUIT 108-15211  
 APPLICATION SPEC SPEC. APPLICATION -

TE Connectivity

EMBASE 32V MQS COUDEE AVEC OREILLES  
 32W MQS RIGHT ANGLE HEADER WITH EARS

SIZE FORMAT A2  
 CAGE CODE 00779  
 DRAWING NO No PLAN C=953486

RESTRICTED TO -

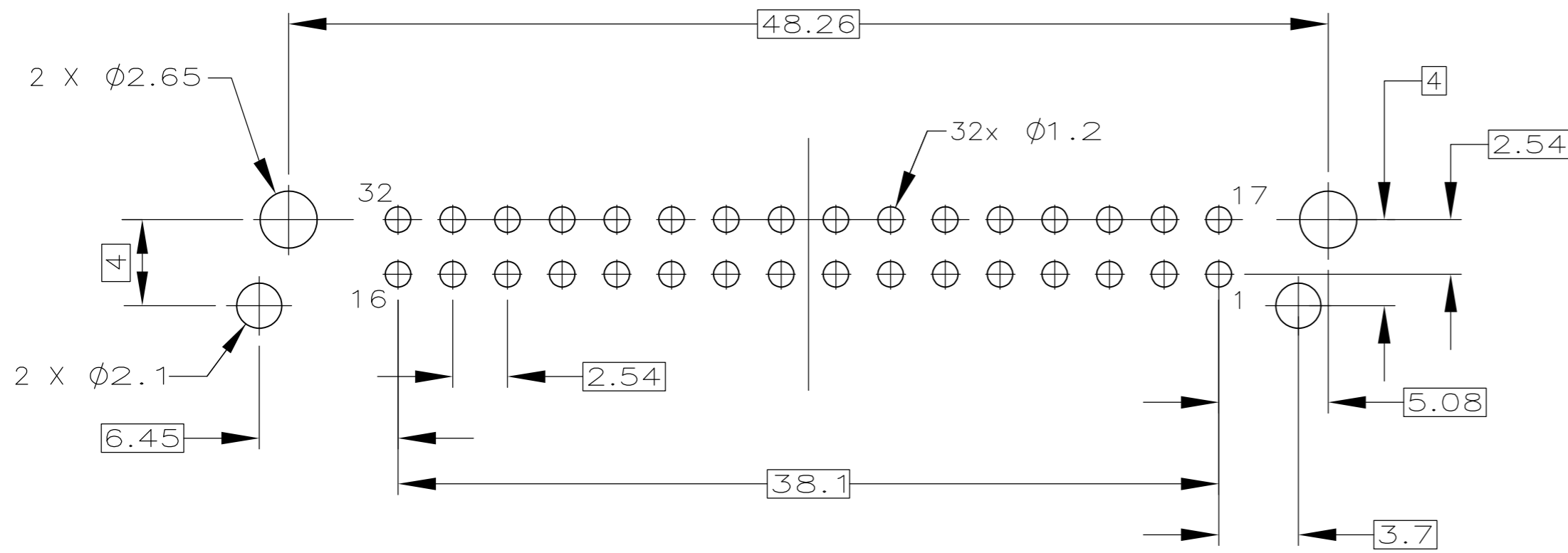
SCALE ECHELLE 2:1  
 SHEET FEUILLE 6 DE 7  
 REV H

THIS DRAWING IS UNPUBLISHED.  
 DIFFUSION RESTREINTE AMP  
 © COPYRIGHT - By TE  
 RELEASED FOR PUBLICATION  
 ALL RIGHTS RESERVED.  
 TOUS DROITS RESERVES.

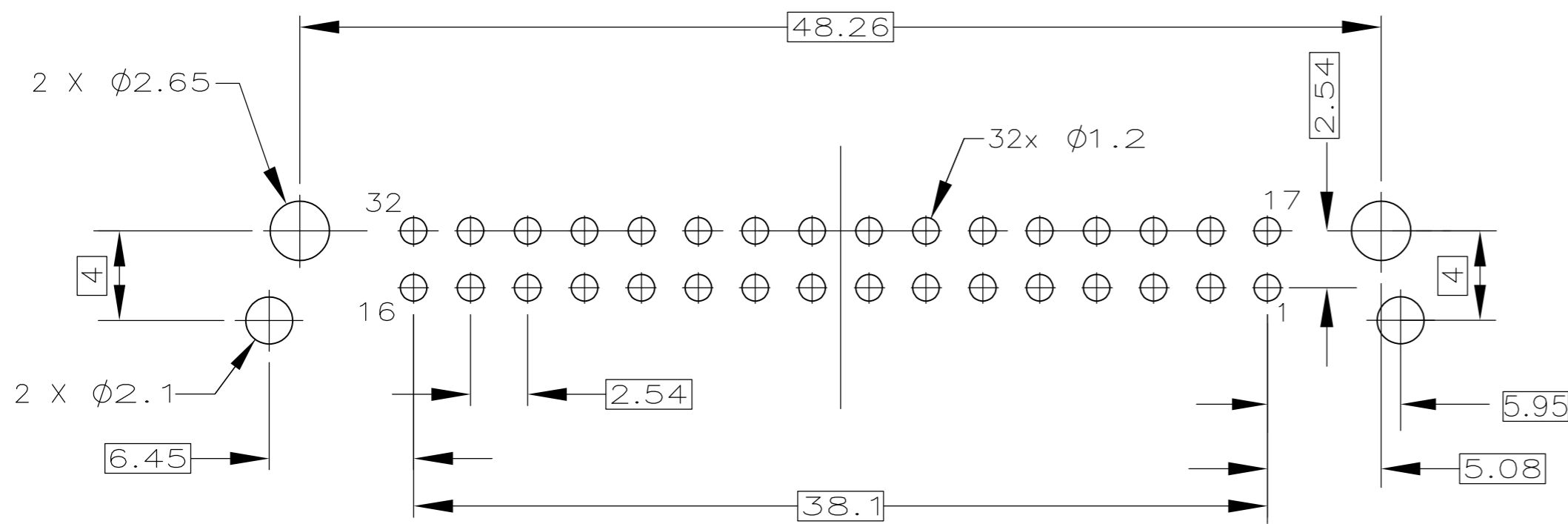
LOC	DIST	REVISIONS			
P	LTR REV	DESCRIPTION MODIFICATIONS	DATE	DWN DESS	APVD APP
F	7	SEE SHEET 1	-	-	-

RECOMMANDATION IMPLANTATION CI  
 RECOMMENDED PCB LAYOUT  
 VUE DE DESSUS / VIEW FROM HEADER MOUNTING SIDE  
 EPAISSEUR CI / PCB THICKNESS : 1.6±0.15

P/N ASS'Y  
 REF. ASSEMBLEE



953486-5  
 (GRIS / GREY)



953486-6  
 (BLEU / BLUE)

THIS DRAWING IS A CONTROLLED DOCUMENT. CE SCHÉMA EST UN DOCUMENT CONTROLÉ		DWN/DESSINE NT.NGUYEN	27OCT2014	<b>STE</b> TE Connectivity	
DIMENSIONS: mm		CHK/VERIFIE J.LALANGE	APVD/APPROUVE J.LALANGE		
TOLERANCES UNLESS OTHERWISE SPECIFIED: (SUIVANT LE DE DECIMALES):		NAME TITRE		EMBASE 32V MQS COUDEE AVEC OREILLES 32W MQS RIGHT ANGLE HEADER WITH EARS	
1 PLS/DEC - 2 PLS/DEC 0.3 3 PLS/DEC - 4 PLS/DEC -		PRODUCT SPEC SPEC. PRODUIT 108-15211		SIZE FORMAT A2	
FINISH FINITION		APPLICATION SPEC SPEC. APPLICATION		CAGE CODE 00779	
MATERIAL MATIERE		WEIGHT MASSE APPROX 10.7 g		DRAWING NO No PLAN C=953486	
		CUSTOMER DRAWING/PLAN CLIENT		RESTRICTED TO -	
		UNIQUEMENT POUR REFERENCE		SCALE EHELLE 4:1	
				SHEET FEUILLE 7 DE 7	
				REV H	



Компания «ЭлектроПласт» предлагает заключение долгосрочных отношений при поставках импортных электронных компонентов на взаимовыгодных условиях!

Наши преимущества:

- Оперативные поставки широкого спектра электронных компонентов отечественного и импортного производства напрямую от производителей и с крупнейших мировых складов;
- Поставка более 17-ти миллионов наименований электронных компонентов;
- Поставка сложных, дефицитных, либо снятых с производства позиций;
- Оперативные сроки поставки под заказ (от 5 рабочих дней);
- Экспресс доставка в любую точку России;
- Техническая поддержка проекта, помощь в подборе аналогов, поставка прототипов;
- Система менеджмента качества сертифицирована по Международному стандарту ISO 9001;
- Лицензия ФСБ на осуществление работ с использованием сведений, составляющих государственную тайну;
- Поставка специализированных компонентов (Xilinx, Altera, Analog Devices, Intersil, Interpoint, Microsemi, Aeroflex, Peregrine, Syfer, Eurofarad, Texas Instrument, Miteq, Cobham, E2V, MA-COM, Hittite, Mini-Circuits, General Dynamics и др.);

Помимо этого, одним из направлений компании «ЭлектроПласт» является направление «Источники питания». Мы предлагаем Вам помощь Конструкторского отдела:

- Подбор оптимального решения, техническое обоснование при выборе компонента;
- Подбор аналогов;
- Консультации по применению компонента;
- Поставка образцов и прототипов;
- Техническая поддержка проекта;
- Защита от снятия компонента с производства.



#### Как с нами связаться

**Телефон:** 8 (812) 309 58 32 (многоканальный)

**Факс:** 8 (812) 320-02-42

**Электронная почта:** [org@eplast1.ru](mailto:org@eplast1.ru)

**Адрес:** 198099, г. Санкт-Петербург, ул. Калинина, дом 2, корпус 4, литера А.