

MS Series Subminiature Snap-acting Switches

Features/Benefits

- Detect interlock and movement
- Different lever options
- Various operating forces
- Extended mechanical life
- UL approval on some designs
- Customization available
- RoHS compatible and compliant

Typical Applications

- Office equipment
- Consumer electronics
- Appliances
- Audio & visual equipment
- Medical
- Industrial meters



Specifications

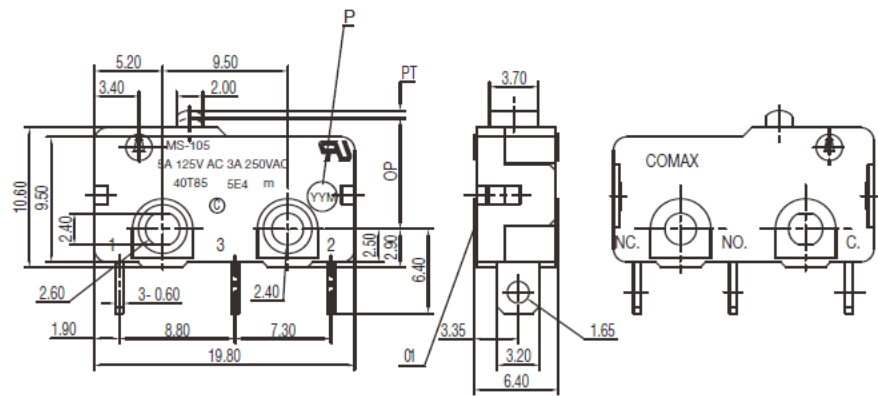
CONTACT ARRANGEMENT: SPDT
 CONTACT RATING: 5 A @ 125 VAC / 3 A @ 250 VAC
 OPERATING LIFE: 1,000,000 cycles without load
 6,000 cycles with load UL
 INITIAL CONTACT RESISTANCE: 100 mΩ max.
 INSULATION RESISTANCE: 100 MΩ min. @ 500 VDC
 DIELECTRIC STRENGTH: 1000 VAC (50-60 Hz)
 OPERATING TEMPERATURE: -40°C to + 85°C
 OPERATING FORCE: 130 ± 30 gf
 PRE-TRAVEL (PT): 0.6 mm max.
 OVERTRAVEL: 0.5 mm max.
 OPERATING POSITION (OP): 8.40 ± 0.40 mm

Materials

COVER: PBT (UL94V-0)
 HOUSING: PBT (UL94V-0)
 KNOB: PBT (UL94V-0)
 TERMINALS: Silver plated

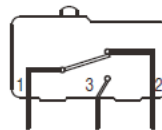
NOTE: Specifications and materials listed above are for switches with standard options. For information on specific and custom switches, consult Customer Service Center.

PART NUMBER
MS-105A01



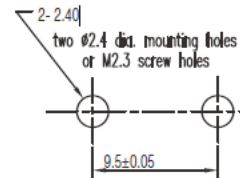
Standard Size

Circuit Diagram



SCHEMATIC

Mounting Holes

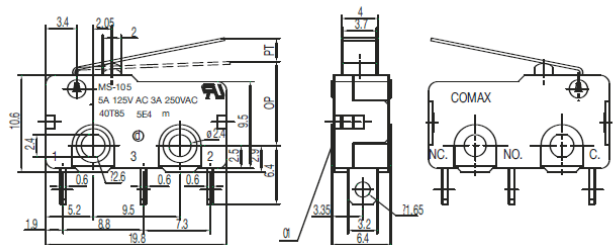


PIERCING PLAN

MS Series Subminiature Snap-acting Switches

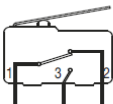
PART NUMBER

MS-105A01-01



Standard Size

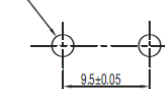
Circuit Diagram



SCHEMATIC

Mounting Holes

two #2.4 dia. mounting holes
or M2.3 screw holes



PIERCING PLAN

Specifications

CONTACT ARRANGEMENT: SPDT
CONTACT RATING: 5 A @ 125 VAC / 3 A @ 250 VAC
OPERATING LIFE: 1,000,000 cycles without load
6,000 cycles with load UL
INITIAL CONTACT RESISTANCE: 100 mΩ max.
INSULATION RESISTANCE: 100 MΩ min. @ 500 VDC
DIELECTRIC STRENGTH: 1000 VAC (50-60 Hz)
OPERATING TEMPERATURE: -40°C to + 85°C
OPERATING FORCE: 65 ± 20 gf
PRE-TRAVEL (PT): 3.0 mm max.
OVERTRAVEL: 1.0 mm max.
OPERATING POSITION (OP): 9.40 ± 1.0 mm

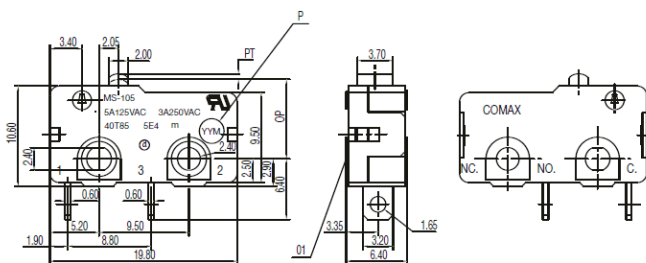
Materials

COVER: PBT (UL94V-0)
HOUSING: PBT (UL94V-0)
KNOB: PBT (UL94V-0)
TERMINALS: Silver plated

NOTE: Specifications and materials listed above are for switches with standard options. For information on specific and custom switches, consult Customer Service Center.

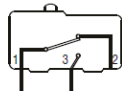
PART NUMBER

MS-105B01



Standard Size

Circuit Diagram



SCHEMATIC

Mounting Holes

two #2.4 dia. mounting holes
or M2.3 screw holes



PIERCING PLAN

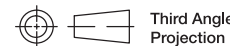
Specifications

CONTACT ARRANGEMENT: SPST
CONTACT RATING: 5 A @ 125 VAC / 3 A @ 250 VAC
OPERATING LIFE: 1,000,000 cycles without load
6,000 cycles with load UL
INITIAL CONTACT RESISTANCE: 100 mΩ max.
INSULATION RESISTANCE: 100 MΩ min. @ 500 VDC
DIELECTRIC STRENGTH: 1000 VAC (50-60 Hz)
OPERATING TEMPERATURE: -40°C to + 85°C
OPERATING FORCE: 230 ± 50 gf
PRE-TRAVEL (PT): 0.6 mm max.
OVERTRAVEL: 0.5 mm max.
OPERATING POSITION (OP): 8.40 ± 0.40 mm

Materials

COVER: PBT (UL94V-0)
HOUSING: PBT (UL94V-0)
KNOB: PBT (UL94V-0)
TERMINALS: Silver plated

NOTE: Specifications and materials listed above are for switches with standard options. For information on specific and custom switches, consult Customer Service Center.

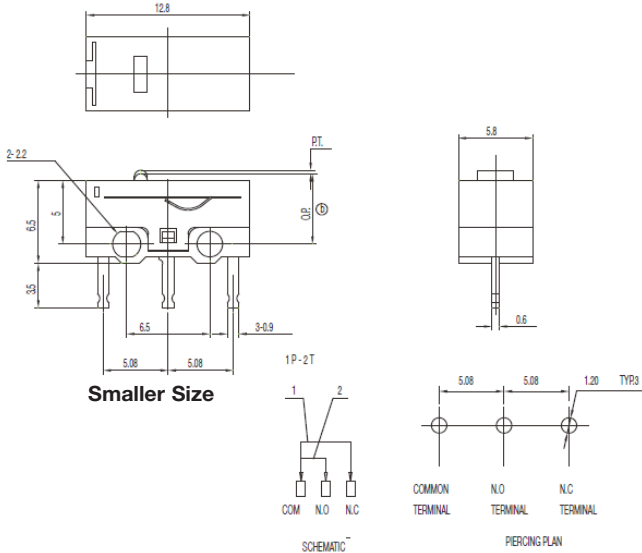


Third Angle
Projection

Dimensions are shown: Inch (mm)
Specifications and dimensions subject to change

MS Series Subminiature Snap-acting Switches

PART NUMBER
MS-118305



Specifications

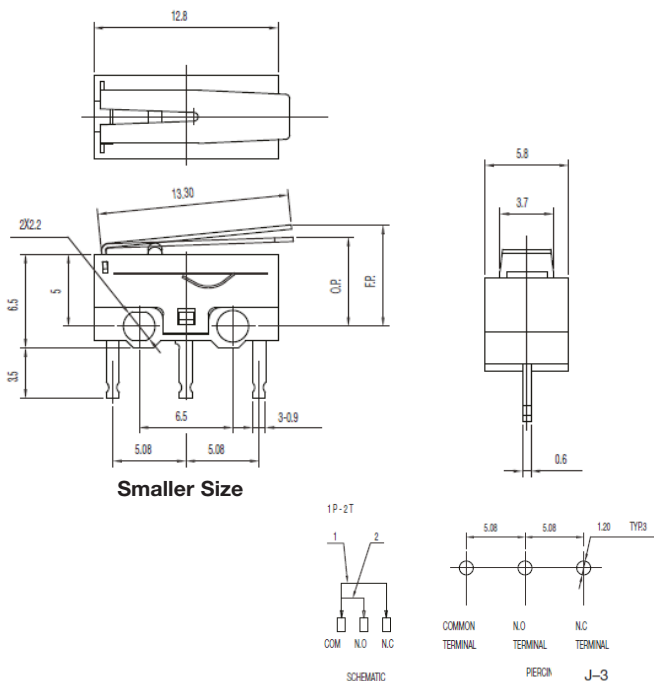
CONTACT ARRANGEMENT: SPDT
 CONTACT RATING: 0.1 A @ 30 VDC
 OPERATING LIFE: 500,000 cycles without load
 50,000 cycles with load
 INITIAL CONTACT RESISTANCE: 50 m Ω max.
 INSULATION RESISTANCE: 100 M Ω min. @ 500 VDC
 DIELECTRIC STRENGTH: 1000 VAC (50-60 Hz)
 OPERATING TEMPERATURE: -20°C to + 70°C
 OPERATING FORCE: 70 \pm 40 gf
 PRE-TRAVEL (PT): 0.50 mm max.
 OVERTRAVEL: 0.5 mm min.
 OPERATING POSITION (OP): 5.50 \pm 0.30 mm

Materials

COVER: PBT (UL94V-0)
 HOUSING: PBT (UL94V-0)
 KNOB: PBT (UL94V-0)
 TERMINALS: Silver plated

NOTE: Specifications and materials listed above are for switches with standard options. For information on specific and custom switches, consult Customer Service Center.

PART NUMBER
MS-118305-A



Specifications

CONTACT ARRANGEMENT: SPDT
 CONTACT RATING: 0.1 A @ 30 VDC
 OPERATING LIFE: 500,000 cycles without load
 50,000 cycles with load
 INITIAL CONTACT RESISTANCE: 50 m Ω max.
 INSULATION RESISTANCE: 100 M Ω min. @ 500 VDC
 DIELECTRIC STRENGTH: 1000 VAC (50-60 Hz)
 OPERATING TEMPERATURE: -20°C to + 70°C
 OPERATING FORCE: 25 \pm 15 gf
 OVERTRAVEL: 0.5 mm min.
 OPERATING POSITION (OP): 6.0 \pm 0.80 mm
 FREE POSITION (FP): 8.5mm max.

Materials

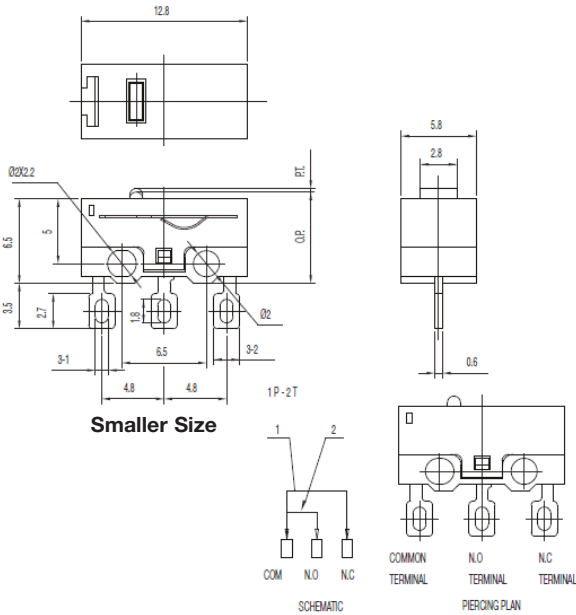
COVER: PBT (UL94V-0)
 HOUSING: PBT (UL94V-0)
 KNOB: PBT (UL94V-0)
 TERMINALS: Silver plated

NOTE: Specifications and materials listed above are for switches with standard options. For information on specific and custom switches, consult Customer Service Center.

MS Series Subminiature Snap-acting Switches

PART NUMBER

MS-118405



Specifications

CONTACT ARRANGEMENT: SPDT
 CONTACT RATING: 0.1 A @ 30 VDC
 OPERATING LIFE: 500,000 cycles without load
 50,000 cycles with load
 INITIAL CONTACT RESISTANCE: 50 m Ω max.
 INSULATION RESISTANCE: 100 M Ω min. @ 500 VDC
 DIELECTRIC STRENGTH: 1000 VAC (50-60 Hz)
 OPERATING TEMPERATURE: -20°C to + 70°C
 OPERATING FORCE: 70 \pm 40 gf
 PRE-TRAVEL (PT): 0.50 mm max.
 OVERTRAVEL: 0.5 mm min.
 OPERATING POSITION (OP): 7.0 \pm 0.30 mm

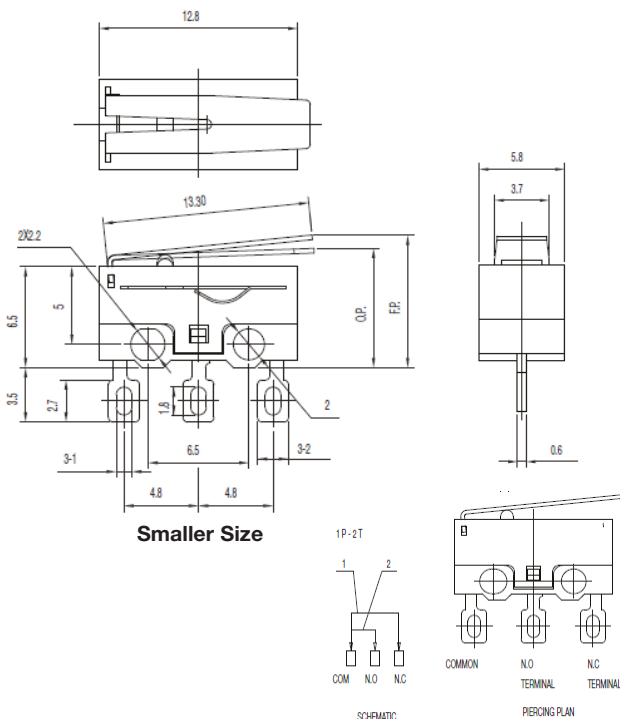
Materials

COVER: PBT (UL94V-0)
 HOUSING: PBT (UL94V-0)
 KNOB: PBT (UL94V-0)
 TERMINALS: Silver plated

NOTE: Specifications and materials listed above are for switches with standard options. For information on specific and custom switches, consult Customer Service Center.

PART NUMBER

MS-118405-A



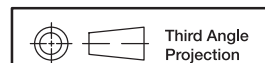
Specifications

CONTACT ARRANGEMENT: SPDT
 CONTACT RATING: 0.1 A @ 30 VDC
 OPERATING LIFE: 500,000 cycles without load
 50,000 cycles with load
 INITIAL CONTACT RESISTANCE: 50 m Ω max.
 INSULATION RESISTANCE: 100 M Ω min. @ 500 VDC
 DIELECTRIC STRENGTH: 1000 VAC (50-60 Hz)
 OPERATING TEMPERATURE: -20°C to + 70°C
 OPERATING FORCE: 25 \pm 15 gf
 OVERTRAVEL: 0.5 mm min.
 OPERATING POSITION (OP): 7.5 \pm 0.80 mm
 FREE POSITION (FP): 10 mm max.

Materials

COVER: PBT (UL94V-0)
 HOUSING: PBT (UL94V-0)
 KNOB: PBT (UL94V-0)
 TERMINALS: Silver plated

NOTE: Specifications and materials listed above are for switches with standard options. For information on specific and custom switches, consult Customer Service Center.



Dimensions are shown: Inch (mm)
 Specifications and dimensions subject to change

Snap-acting



Компания «ЭлектроПласт» предлагает заключение долгосрочных отношений при поставках импортных электронных компонентов на взаимовыгодных условиях!

Наши преимущества:

- Оперативные поставки широкого спектра электронных компонентов отечественного и импортного производства напрямую от производителей и с крупнейших мировых складов;
- Поставка более 17-ти миллионов наименований электронных компонентов;
- Поставка сложных, дефицитных, либо снятых с производства позиций;
- Оперативные сроки поставки под заказ (от 5 рабочих дней);
- Экспресс доставка в любую точку России;
- Техническая поддержка проекта, помощь в подборе аналогов, поставка прототипов;
- Система менеджмента качества сертифицирована по Международному стандарту ISO 9001;
- Лицензия ФСБ на осуществление работ с использованием сведений, составляющих государственную тайну;
- Поставка специализированных компонентов (Xilinx, Altera, Analog Devices, Intersil, Interpoint, Microsemi, Aeroflex, Peregrine, Syfer, Eurofarad, Texas Instrument, Miteq, Cobham, E2V, MA-COM, Hittite, Mini-Circuits, General Dynamics и др.);

Помимо этого, одним из направлений компании «ЭлектроПласт» является направление «Источники питания». Мы предлагаем Вам помощь Конструкторского отдела:

- Подбор оптимального решения, техническое обоснование при выборе компонента;
- Подбор аналогов;
- Консультации по применению компонента;
- Поставка образцов и прототипов;
- Техническая поддержка проекта;
- Защита от снятия компонента с производства.



Как с нами связаться

Телефон: 8 (812) 309 58 32 (многоканальный)

Факс: 8 (812) 320-02-42

Электронная почта: org@eplast1.ru

Адрес: 198099, г. Санкт-Петербург, ул. Калинина, дом 2, корпус 4, литера А.