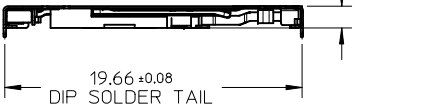
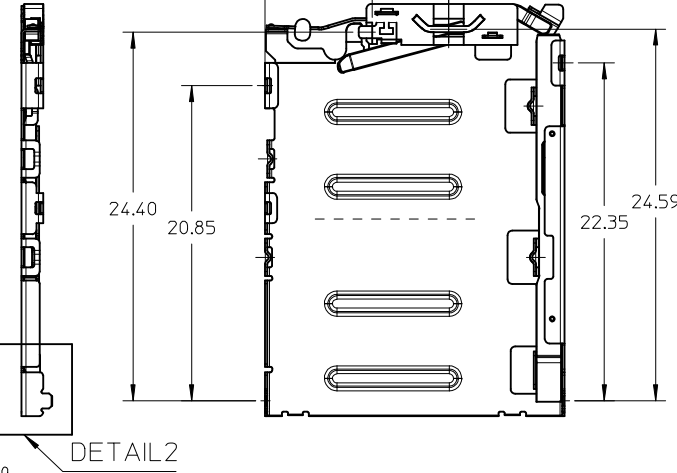
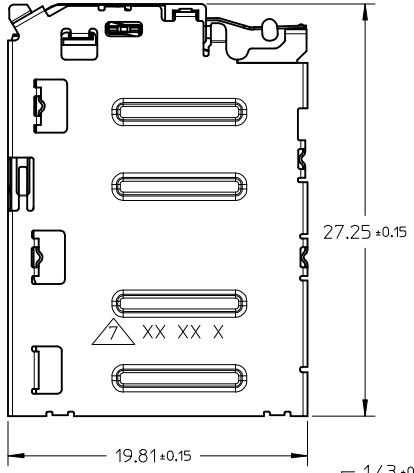
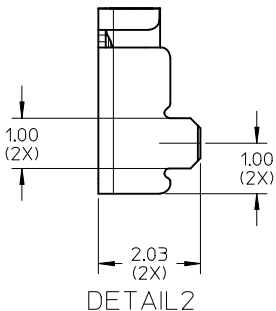
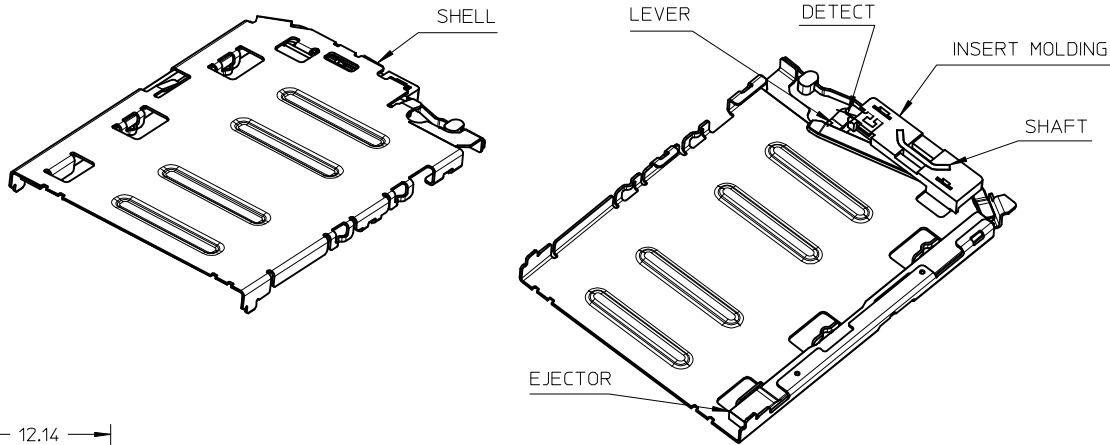


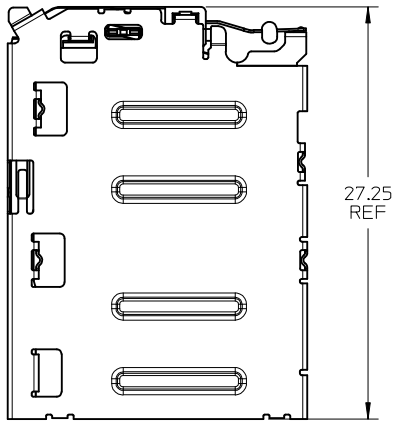
THIS DESIGN IS BASED ON DESIGN OBJECTIVES AND IS STRICTLY TENTATIVE. IT MAY CHANGE BASED ON RESULTS OF ADDITIONAL DESIGN REVIEWS & VERIFICATIONS.



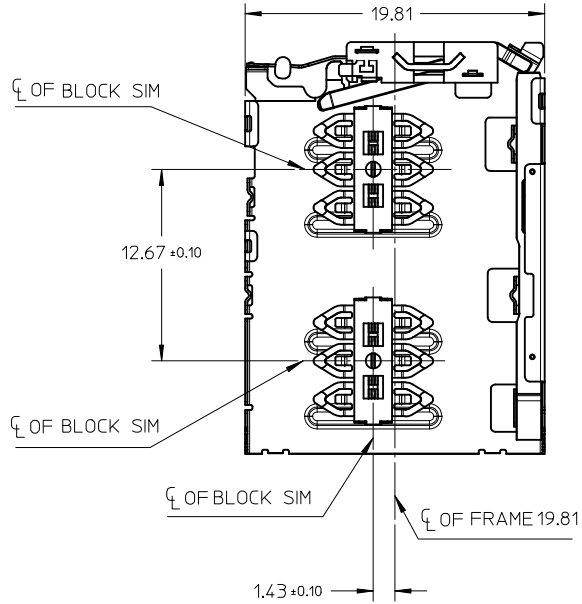
- NOTES:
- MATERIALS:
 INSERT MOLD HOUSING: LCP, UL94V-0;
 LEVER, SHAFT, EJECTOR, SHELL: STAINLESS STEEL;
 DETECT SPRING: COPPER ALLOY;
 - FINISHES:
 DETECT SPRING:
 1.27um MIN. NICKEL UNDERPLATING OVERALL;
 0.127um MIN. GOLD PLATING ON CONTACT AREA;
 1.27 um MIN. TIN PLATING ON SOLDERING TAIL;
 SHELL:
 1.27um MIN NICKEL UNDERPLATING OVERALL;
 0.025um MIN GOLD PLATING ON CONTACT AREA AND SOLDERING AREA;
 SHAFT: 1.27um MIN TIN ON SOLDERING TAIL;
 - PRODUCT SPECIFICATION: PS-151031-2001;
 - PACKAGING SPECIFICATION: PK-151031-0001;
 - SOLDER TAIL COPLANARITY: 0.10 MM MAX BEFORE REFLOW
 - THIS PART IS A FRAME ONLY, IT SHOULD BE USED TOGETHER WITH 0.38MM BLOCK SIM 151130 FOR AN ENTIRE SIM POP OUT SYSTEM;
 - DATE CODE PRINTED: XX XX X
 DAY
 WEEK
 YEAR

UPDATED DRAWING FOR TYPE EC NO: S2015-1182 DRWN: JZENG 2015/06/19 CHKD: JTAN02 2015/07/07 APPR: KHL IM 2015/07/22	DESCRIPTION REV 12	QUALITY SYMBOLS	GENERAL TOLERANCES (UNLESS SPECIFIED)	DIMENSION STYLE MM ONLY	SCALE NTS	DESIGN UNITS METRIC	THIRD ANGLE PROJECTION																															
		$F_A=0$ $F_G=0$ $F_P=0$	<table border="1"> <thead> <tr> <th></th> <th>mm</th> <th>INCH</th> </tr> </thead> <tbody> <tr> <td>4 PLACES</td> <td>± ---</td> <td>± ---</td> </tr> <tr> <td>3 PLACES</td> <td>± ---</td> <td>± ---</td> </tr> <tr> <td>2 PLACES</td> <td>± 0.20</td> <td>± ---</td> </tr> <tr> <td>1 PLACE</td> <td>± 0.20</td> <td>± ---</td> </tr> <tr> <td>0 PLACE</td> <td>± ---</td> <td>± ---</td> </tr> </tbody> </table>		mm	INCH	4 PLACES	± ---	± ---	3 PLACES	± ---	± ---	2 PLACES	± 0.20	± ---	1 PLACE	± 0.20	± ---	0 PLACE	± ---	± ---	<table border="1"> <thead> <tr> <th>DRAWN BY</th> <th>DATE</th> </tr> </thead> <tbody> <tr> <td>JZENG</td> <td>2014/07/01</td> </tr> <tr> <th>CHECKED BY</th> <th>DATE</th> </tr> <tr> <td>JTAN02</td> <td>2014/07/01</td> </tr> <tr> <th>APPROVED BY</th> <th>DATE</th> </tr> <tr> <td></td> <td></td> </tr> </tbody> </table>	DRAWN BY	DATE	JZENG	2014/07/01	CHECKED BY	DATE	JTAN02	2014/07/01	APPROVED BY	DATE			TITLE DUAL SIM FRAME CONNECTOR 1.43H			
			mm	INCH																																		
		4 PLACES	± ---	± ---																																		
3 PLACES	± ---	± ---																																				
2 PLACES	± 0.20	± ---																																				
1 PLACE	± 0.20	± ---																																				
0 PLACE	± ---	± ---																																				
DRAWN BY	DATE																																					
JZENG	2014/07/01																																					
CHECKED BY	DATE																																					
JTAN02	2014/07/01																																					
APPROVED BY	DATE																																					
	ANGULAR ± 3 °	MATERIAL NO. 1510312001	DOCUMENT NO. SD-151031-0001				SHEET NO. 1 OF 5																															
	DRAFT WHERE APPLICABLE MUST REMAIN WITHIN DIMENSIONS	SIZE A3	THIS DRAWING CONTAINS INFORMATION THAT IS PROPRIETARY TO MOLEX INCORPORATED AND SHOULD NOT BE USED WITHOUT WRITTEN PERMISSION																																			

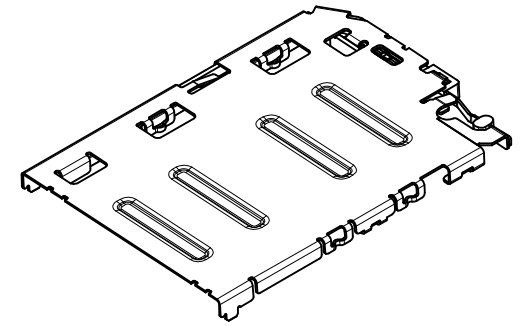
SIM CONNECTOR
(WITH 151130 BLOCK SIM CONNECTOR)



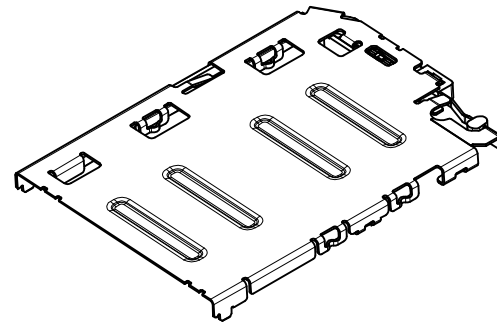
27.25 REF



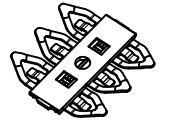
SIM CONNECTOR BOM



FRAME + BLOCK SIM



151031 SERIES



151130 SERIES

THIS DESIGN IS BASED ON DESIGN OBJECTIVES AND IS STRICTLY TENTATIVE. IT MAY CHANGE BASED ON RESULTS OF ADDITIONAL DESIGN REVIEWS & VERIFICATIONS.

SEE SHEET 1	EC NO: S2015-1182	2015/06/29
	DRWN: JZENG	2015/07/07
	CHKD: JTAN02	2015/07/07
	APPR: KHLIM	2015/07/22

REV	DESCRIPTION
12	QUALITY SYMBOLS
	$F_A=0$
	$F_C=0$
	$F_P=0$

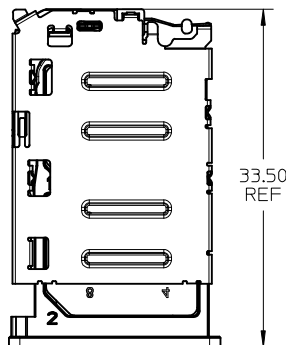
GENERAL TOLERANCES (UNLESS SPECIFIED)	
	mm INCH
4 PLACES	± --- ± ---
3 PLACES	± --- ± ---
2 PLACES	± 0.20 ± ---
1 PLACE	± 0.20 ± ---
0 PLACE	± --- ± ---
ANGULAR ± 3 °	
DRAFT WHERE APPLICABLE MUST REMAIN WITHIN DIMENSIONS	

DIMENSION STYLE	
MM ONLY	
DRAWN BY	DATE
JZENG	2014/07/01
CHECKED BY	DATE
JTAN02	2014/07/01
APPROVED BY	DATE
MATERIAL NO.	
1510312001	
SIZE	A3

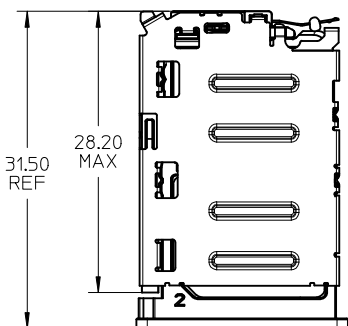
SCALE	NTS	DESIGN UNITS	METRIC	THIRD ANGLE PROJECTION
TITLE				
DUAL SIM FRAME CONNECTOR 1.43H				
DOCUMENT NO.			SHEET NO.	
SD-151031-0001			2 OF 5	
THIS DRAWING CONTAINS INFORMATION THAT IS PROPRIETARY TO MOLEX INCORPORATED AND SHOULD NOT BE USED WITHOUT WRITTEN PERMISSION				



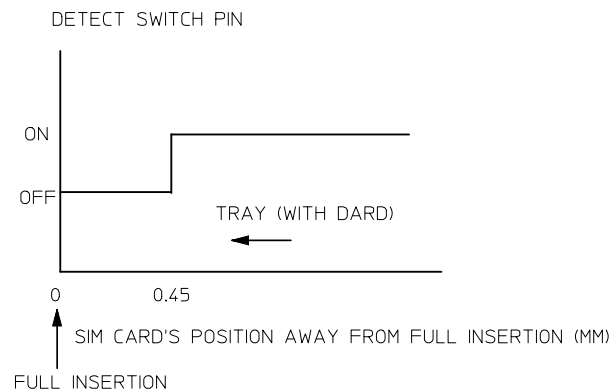
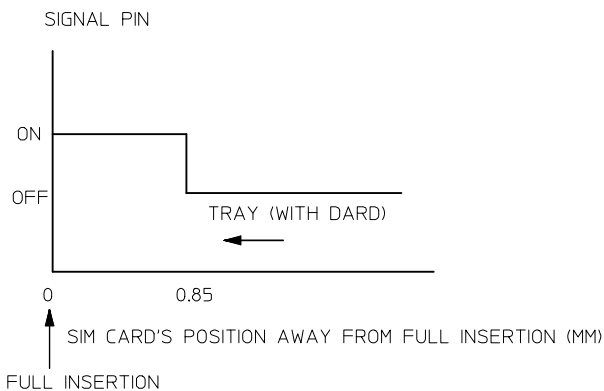
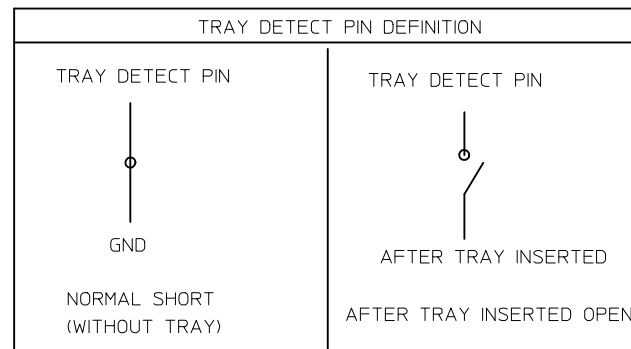
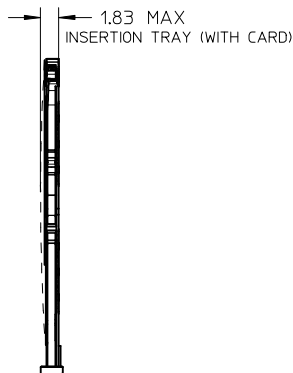
SIM CONNECTOR FRAME AND TRAY



TRAY EJECTED POSITION

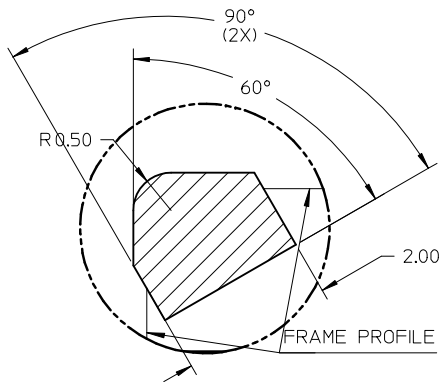


TRAY INSERTION POSITION

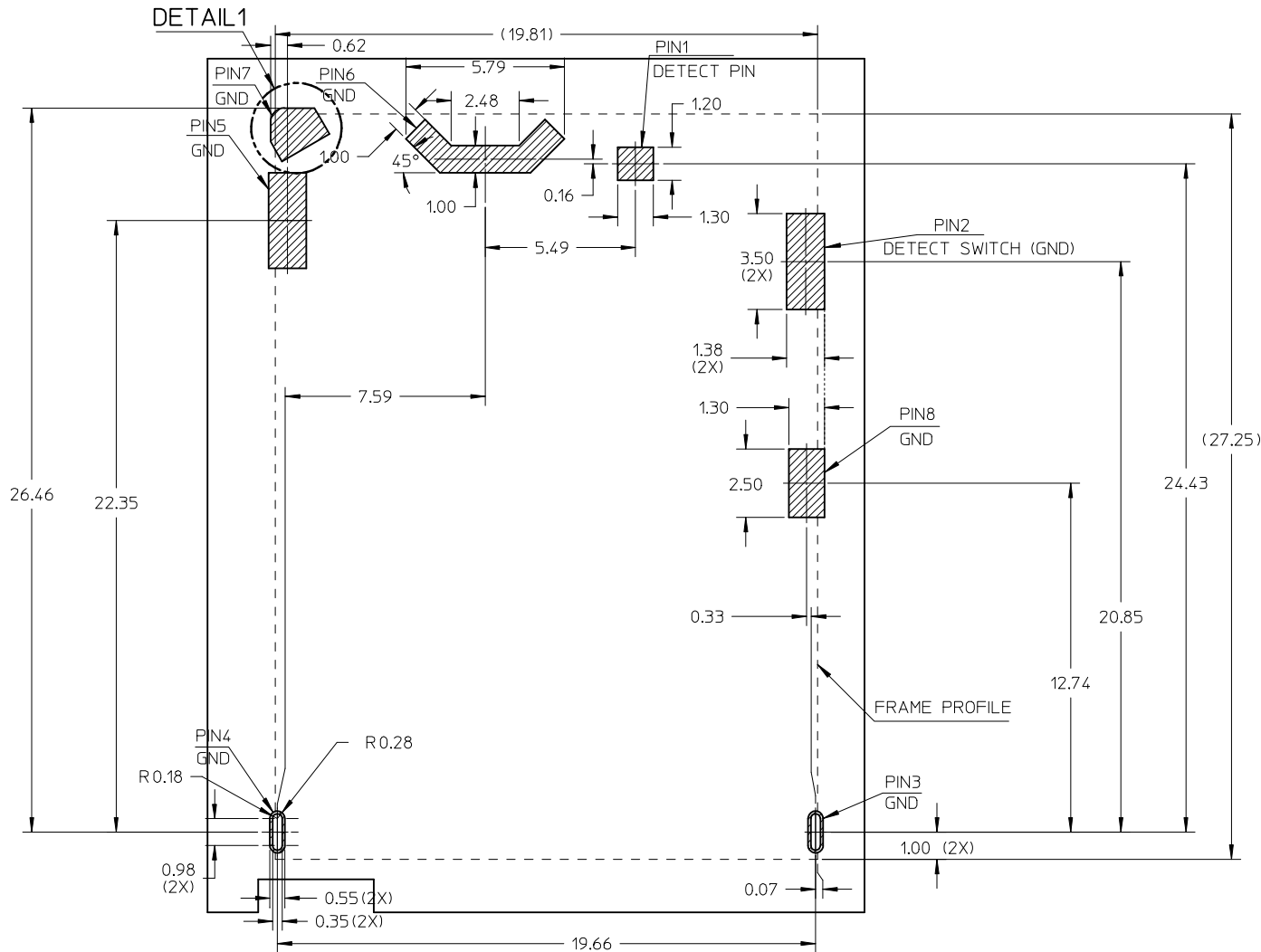


SEE SHEET 1 EC NO: S2015-1182 DRWN: JZENG CHKD: JTAN02 APPR: KHLIM	2015/06/29 2015/07/07 2015/07/22	DESCRIPTION REV	QUALITY SYMBOLS	GENERAL TOLERANCES (UNLESS SPECIFIED)	DIMENSION STYLE	SCALE	DESIGN UNITS	THIRD ANGLE PROJECTION
			$F_A=0$ $F_G=0$ $F_P=0$	mm INCH 4 PLACES ± --- ± --- 3 PLACES ± --- ± --- 2 PLACES ± 0.20 ± --- 1 PLACE ± 0.20 ± --- 0 PLACE ± --- ± ---	MM ONLY		METRIC	TITLE DUAL SIM FRAME CONNECTOR 1.43H
				ANGULAR ± 3 ° DRAFT WHERE APPLICABLE MUST REMAIN WITHIN DIMENSIONS	DRAWN BY DATE JZENG 2014/07/01 CHECKED BY DATE JTAN02 2014/07/01 APPROVED BY DATE	MATERIAL NO. 1510312001	DOCUMENT NO. SD-151031-0001	
			12			SIZE A3	THIS DRAWING CONTAINS INFORMATION THAT IS PROPRIETARY TO MOLEX INCORPORATED AND SHOULD NOT BE USED WITHOUT WRITTEN PERMISSION	

151031 FRAME SOLDERING AREA: 




DETAIL1

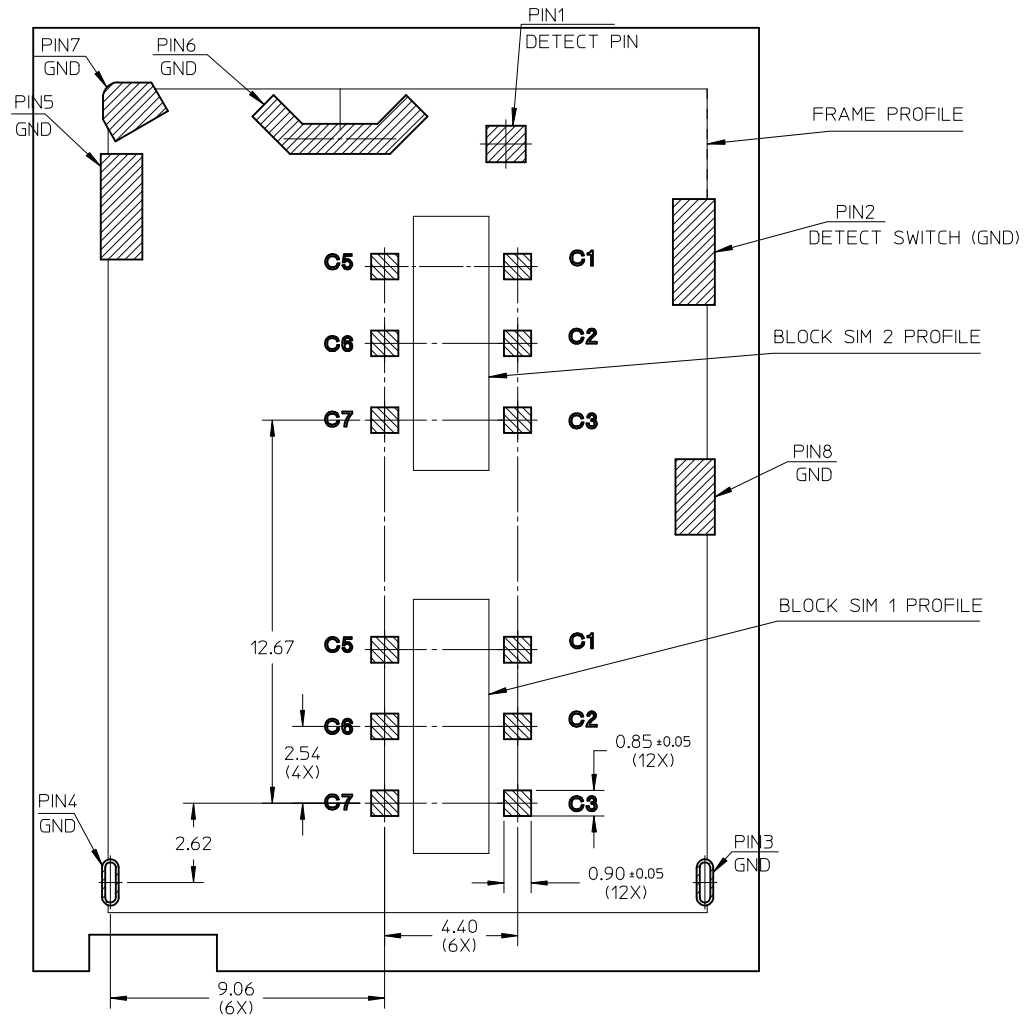


THIS DESIGN IS BASED ON DESIGN OBJECTIVES AND IS STRICTLY TENTATIVE. IT MAY CHANGE BASED ON RESULTS OF ADDITIONAL DESIGN REVIEWS & VERIFICATIONS.

RECOMMENDED PCB LAYOUT: TOLERANCE ±0.05
 RECOMMENDED PCB THICKNESS: 1.00MM
 RECOMMENDED STENCIL THICKNESS: 0.10MM

SEE SHEET 1 EC NO: S2015-1182 DRWN: JZENG CHKD: JTAN02 APPR: KHLIM	QUALITY SYMBOLS $F_A=0$ $F_C=0$ $F_P=0$	GENERAL TOLERANCES (UNLESS SPECIFIED) mm INCH 4 PLACES ± --- ± --- 3 PLACES ± --- ± --- 2 PLACES ± 0.20 ± --- 1 PLACE ± 0.20 ± --- 0 PLACE ± --- ± ---	DIMENSION STYLE MM ONLY DRAWN BY: JZENG CHECKED BY: JTAN02 APPROVED BY:	SCALE NTS DESIGN UNITS METRIC THIRD ANGLE PROJECTION	DATE: 2014/07/01 DATE: 2014/07/01 DATE:	TITLE DUAL SIM FRAME CONNECTOR 1.43H
	MATERIAL NO. 1510312001	DOCUMENT NO. SD-151031-0001	SHEET NO. 4 OF 5			
	ANGULAR ± 3 ° DRAFT WHERE APPLICABLE MUST REMAIN WITHIN DIMENSIONS					
	THIS DRAWING CONTAINS INFORMATION THAT IS PROPRIETARY TO MOLEX INCORPORATED AND SHOULD NOT BE USED WITHOUT WRITTEN PERMISSION					
	SIZE A3					

151031 FRAME SOLDERING AREA: 
 151130 BLOCK SIM SOLDERING AREA: 



THIS DESIGN IS BASED ON DESIGN OBJECTIVES AND IS STRICTLY TENTATIVE. IT MAY CHANGE BASED ON RESULTS OF ADDITIONAL DESIGN REVIEWS & VERIFICATIONS.

RECOMMENDED PCB LAYOUT: TOLERANCE ±0.05
 RECOMMENDED PCB THICKNESS: 1.0MM
 RECOMMENDED STENCIL THICKNESS: 0.10MM

SEE SHEET 1	EC NO: S2015-1182	2015/06/29	DESCRIPTION	QUALITY SYMBOLS	GENERAL TOLERANCES (UNLESS SPECIFIED)		DIMENSION STYLE		SCALE	DESIGN UNITS	THIRD ANGLE PROJECTION	
	DRWN: JZENG	2015/07/07		$F_A=0$	mm	INCH	MM ONLY		NTS	METRIC		
	CHKD: JTAN02	2015/07/07		$F_C=0$	4 PLACES ± --- ± ---	3 PLACES ± --- ± ---	DRAWN BY	DATE	TITLE			
	APPR: KHLIM	2015/07/22		$F_P=0$	2 PLACES ± 0.20 ± ---	1 PLACE ± 0.20 ± ---	JZENG	2014/07/01	DUAL SIM FRAME CONNECTOR 1.43H			
12				0 PLACE ± --- ± ---	APPROVED BY	DATE	MATERIAL NO.		DOCUMENT NO.	SHEET NO.		
							1510312001		SD-151031-0001	5 OF 5		
					DRAFT WHERE APPLICABLE MUST REMAIN WITHIN DIMENSIONS		THIS DRAWING CONTAINS INFORMATION THAT IS PROPRIETARY TO MOLEX INCORPORATED AND SHOULD NOT BE USED WITHOUT WRITTEN PERMISSION					





Компания «ЭлектроПласт» предлагает заключение долгосрочных отношений при поставках импортных электронных компонентов на взаимовыгодных условиях!

Наши преимущества:

- Оперативные поставки широкого спектра электронных компонентов отечественного и импортного производства напрямую от производителей и с крупнейших мировых складов;
- Поставка более 17-ти миллионов наименований электронных компонентов;
- Поставка сложных, дефицитных, либо снятых с производства позиций;
- Оперативные сроки поставки под заказ (от 5 рабочих дней);
- Экспресс доставка в любую точку России;
- Техническая поддержка проекта, помощь в подборе аналогов, поставка прототипов;
- Система менеджмента качества сертифицирована по Международному стандарту ISO 9001;
- Лицензия ФСБ на осуществление работ с использованием сведений, составляющих государственную тайну;
- Поставка специализированных компонентов (Xilinx, Altera, Analog Devices, Intersil, Interpoint, Microsemi, Aeroflex, Peregrine, Syfer, Eurofarad, Texas Instrument, Miteq, Cobham, E2V, MA-COM, Hittite, Mini-Circuits, General Dynamics и др.);

Помимо этого, одним из направлений компании «ЭлектроПласт» является направление «Источники питания». Мы предлагаем Вам помощь Конструкторского отдела:

- Подбор оптимального решения, техническое обоснование при выборе компонента;
- Подбор аналогов;
- Консультации по применению компонента;
- Поставка образцов и прототипов;
- Техническая поддержка проекта;
- Защита от снятия компонента с производства.



Как с нами связаться

Телефон: 8 (812) 309 58 32 (многоканальный)

Факс: 8 (812) 320-02-42

Электронная почта: org@eplast1.ru

Адрес: 198099, г. Санкт-Петербург, ул. Калинина, дом 2, корпус 4, литера А.