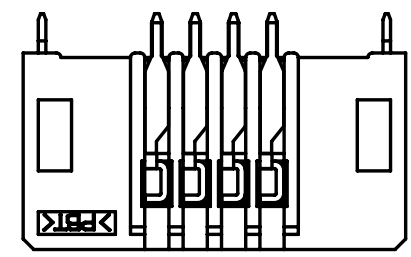


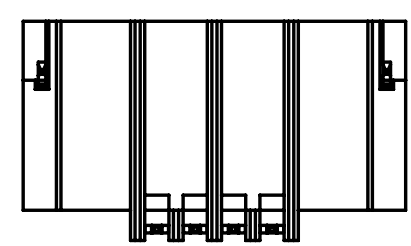
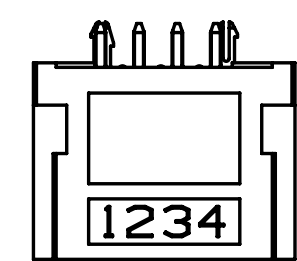
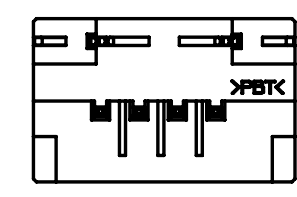
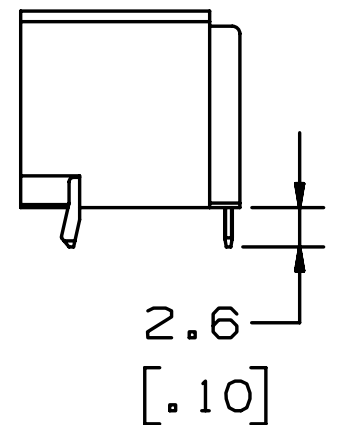
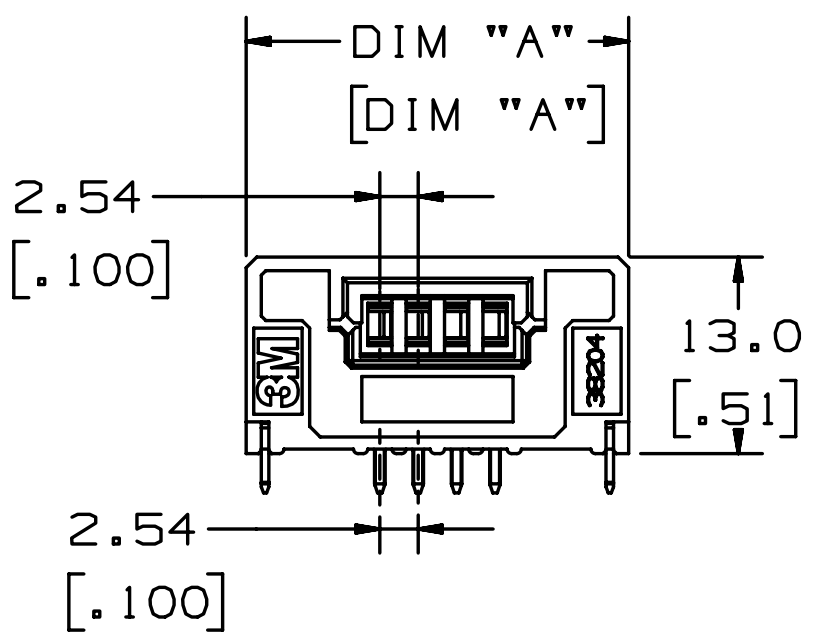
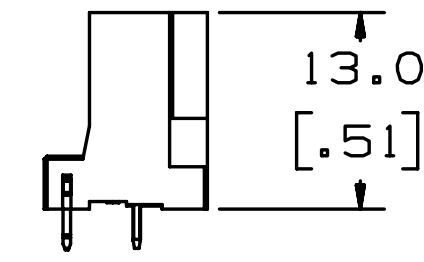
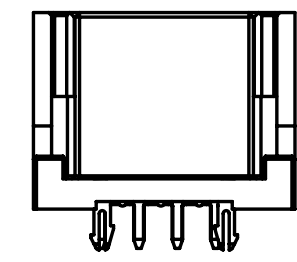
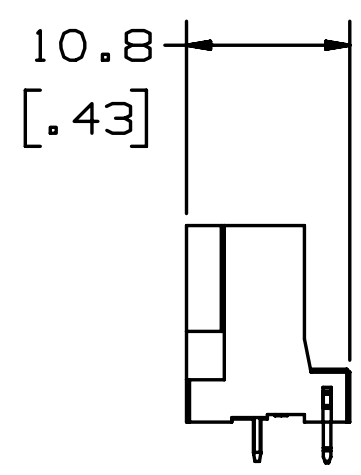
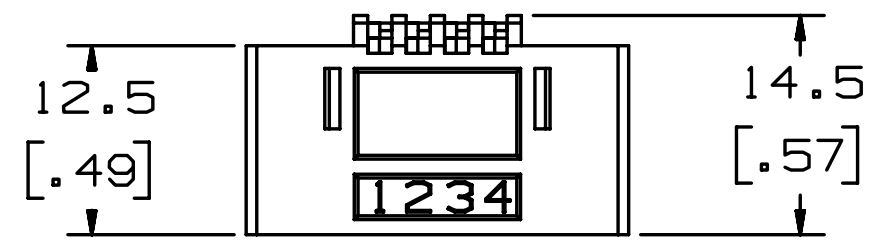
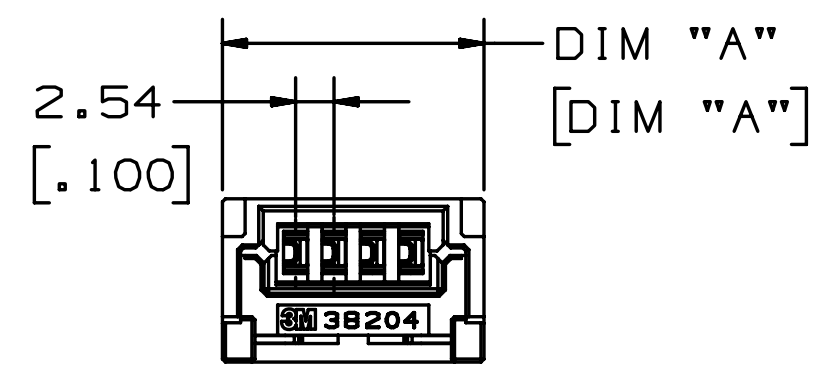
3M™ LINK CONNECTOR, 2.54mm[.100"] BOARDMOUNT, STRAIGHT AND RIGHT ANGLE, 382 SERIES

- Notes:**
- Material:**
Body: PBT, UL94V-0
Contacts: Copper Alloy
 - Plating:**
2.54 μm Nickel underplate
0.2 μm min. Gold with Lubricant in wiping area
Flash Gold on solder tails
 - Marking:**
3M Logo, Part Number, Position Identification'
Insulator Material
 - Mating Compatibility:** 381 SERIES
 - Regulatory:**
UL File No.: E68080
- RoHS Compliant:**
See the Regulatory Information Appendix (RIA) in the "RoHS Compliance" section of www.3MConnector.com for compliance information. (RIA E1 & C1 apply).
- Reference Related Documents:**
Product Specification:
3M Doc. ID# 78-5102-0091-4
Tooling and Installation Instructions:
3M Doc. ID# 78-9101-5361-4

RIGHT ANGLE



STRAIGHT



Performance:	
Current Rating:	5.0A
Voltage Rating:	160V
Insulation Resistance:	> 1 x 10 ⁸ Ohms at 500 VDC
Withstanding Voltage:	1000VACrms at sea level
Operating Temperature:	-20°C to +70°C
Processing Temperature:	260°C max. for wave solder reflow 390°C max. for soldering iron
Lead-Free Solderable:	Yes
Moisture Sensitivity Level:	NA-Wave Solder Only
UL Temperature Rating	+65°C

D	36079	SEP 07, 2011	MWL	SAN
		CONVERT TO NEW ENG. FORMAT, ADD 2 POSITION PART		

DESIGN REFERENCE	NEXT ASSEMBLY	REV	ECO	ISSUE DATE AND DESCRIPTION	DRFT	CHKD
DIVISION Interconnect Solutions DO NOT SCALE DRAWING		DIVISION CODE ISD SCALE 4 1		TOLERANCES EXCEPT AS NOTED INCHES .0 ± .00 ± .000 ± .0000 ±		3M 3M Center St. Paul, MN 55144 © 3M COPYRIGHT 2011 This document and the information it contains are 3M property and may not be reproduced or further distributed without 3M permission, or used or disclosed other than for 3M authorized purposes. All rights reserved.
THIRD ANGLE PROJECTION INTERPRET PER ASME Y14.5 - 1994		MILLIMETERS 0 ± .0 ±.3 .00 ±.13 .000 ±		ANGLES ±1°		
MAX SURFACE ROUGHNESS 125 ✓ ALL SURFACES MARKED ONLY		TITLE 2.54mm[.100"] LINK BOARDMOUNT, ST AND RA 382 SERIES		CAGE NUMBER C 78-5100-2099-9		REV. D
		MODEL DET. <input type="checkbox"/> LISTS <input type="checkbox"/> YES <input checked="" type="checkbox"/> NO		SHT 1 OF 3		

78-5100-2099-9 DRAWING NUMBER

D REVISION

B

A

3M™ LINK CONNECTOR, 2.54mm[.100"] BOARDMOUNT, STRAIGHT AND RIGHT ANGLE, 382 SERIES

PART ORDERING INFORMATION

3820X-X2S3-X0X PL (RIA E1 & C1 APPLY)

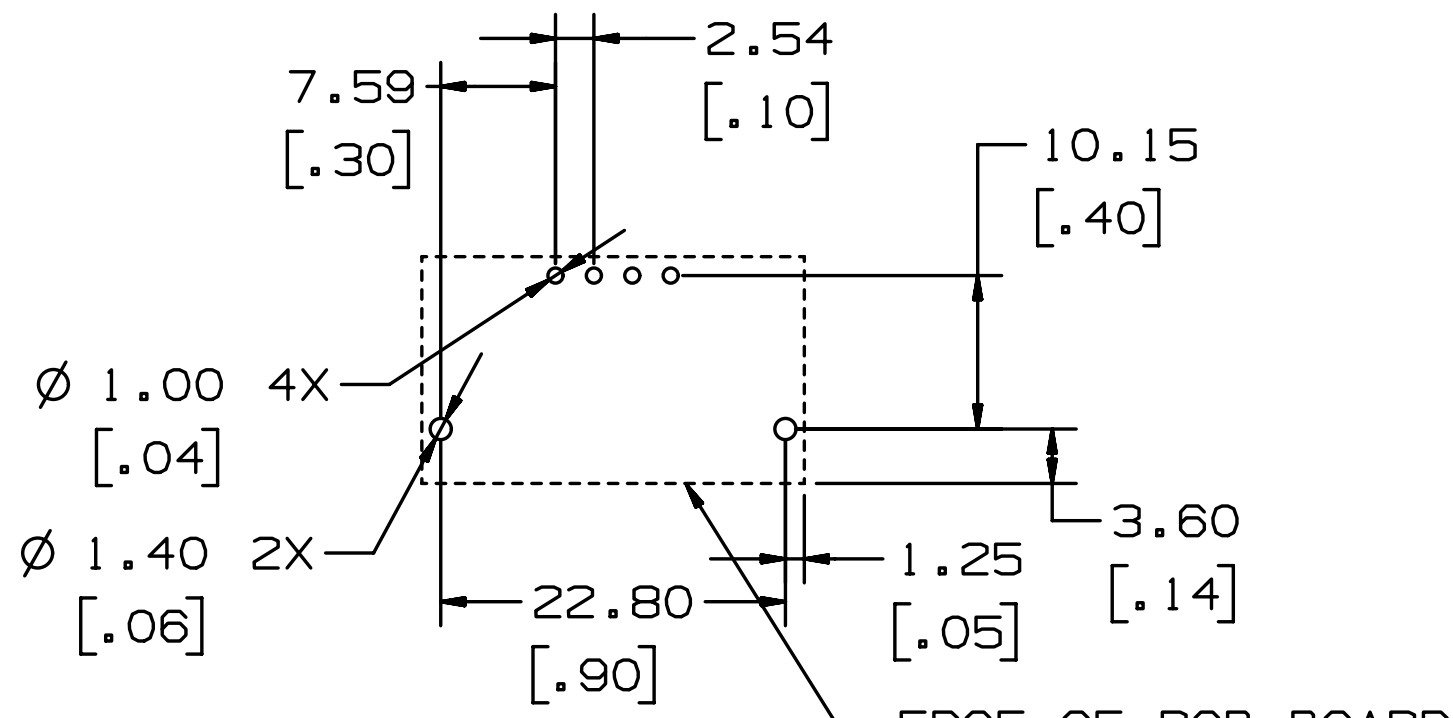
NUMBER OF POSITIONS:
2 = 2 POSITION
4 = 4 POSITION

MOUNTING STYLE:
5 = RIGHT ANGLE
6 = STRAIGHT

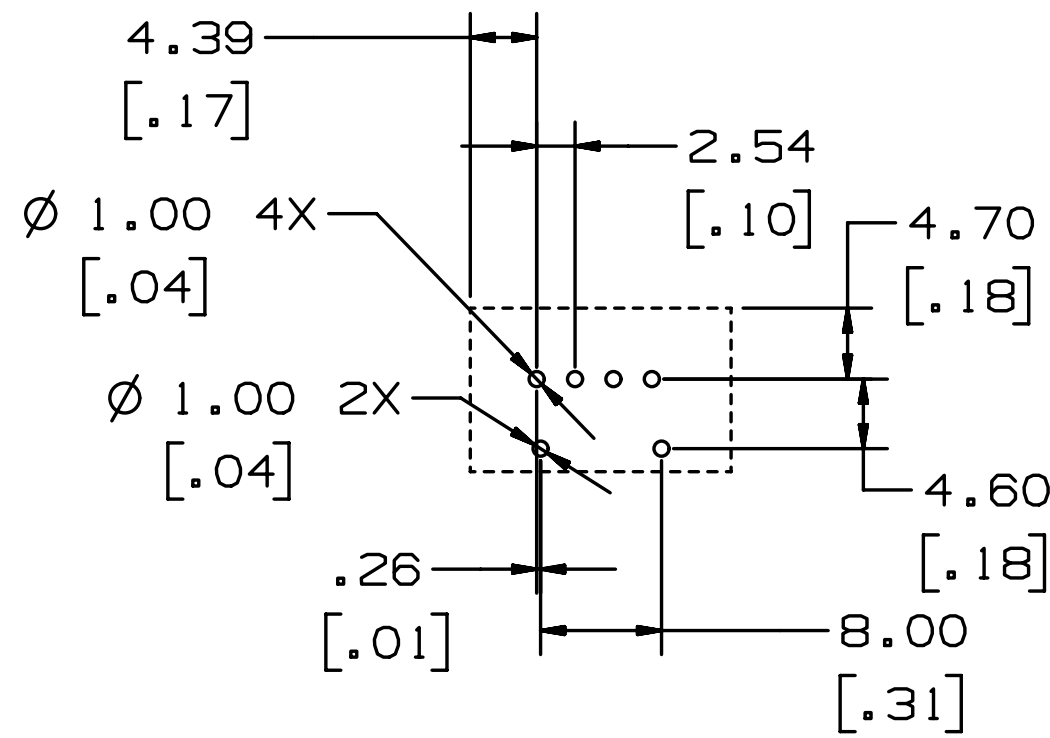
COLOR
0 = BLACK
M = BLUE

MARKING
0 = 3M
M = CC-Link/LT

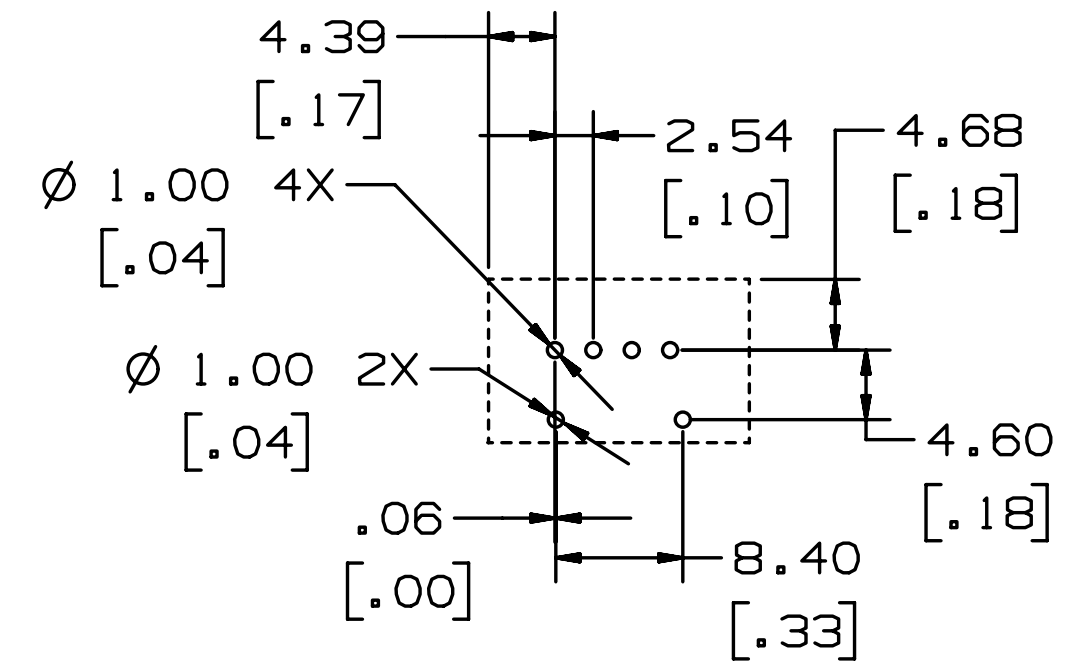
AVAILABLE PRODUCTS				
PART NUMBER	DIM "A"	STYLE	COLOR	MARKING
38204-52S3-000 PL	25.3	RIGHT ANGLE	BLACK	3M
38204-52S3-MOM PL	25.3	RIGHT ANGLE	BLUE	CC-Link/LT
38204-62S3-000 PL	17.3	STRAIGHT	BLACK	3M
38204-62S3-MOM PL	17.3	STRAIGHT	BLUE	CC-Link/LT
38202-52S3-000 PL	13.9	RIGHT ANGLE	BLACK	3M
38202-62S3-000 PL	13.9	STRAIGHT	BLACK	3M



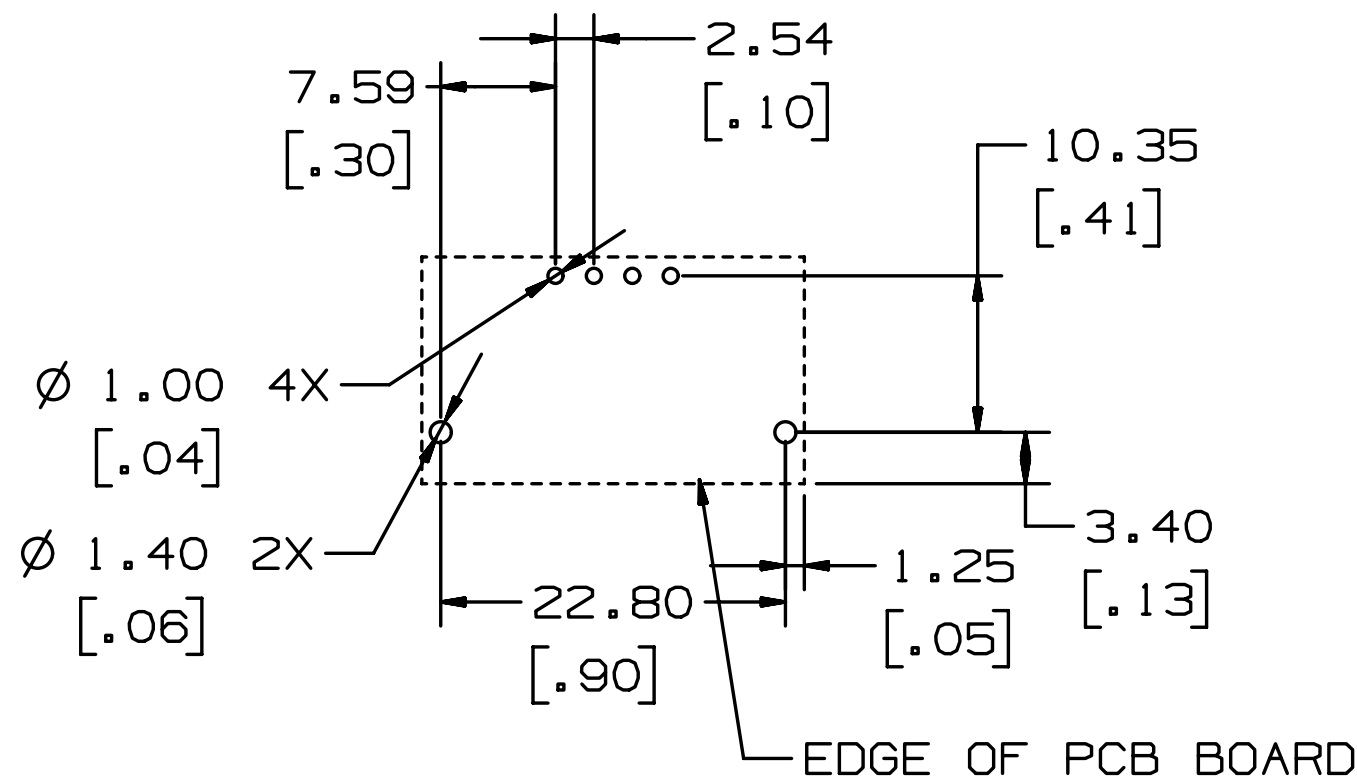
4-POSITION
RIGHT ANGLE BOARD FOOTPRINT
FOR 1.0mm THICK BOARD



4-POSITION
STRAIGHT BOARD FOOTPRINT
FOR 1.6mm THICK BOARD



4-POSITION
STRAIGHT BOARD FOOTPRINT
FOR 1.0mm THICK BOARD



4-POSITION
RIGHT ANGLE BOARD FOOTPRINT
FOR 1.6mm THICK BOARD

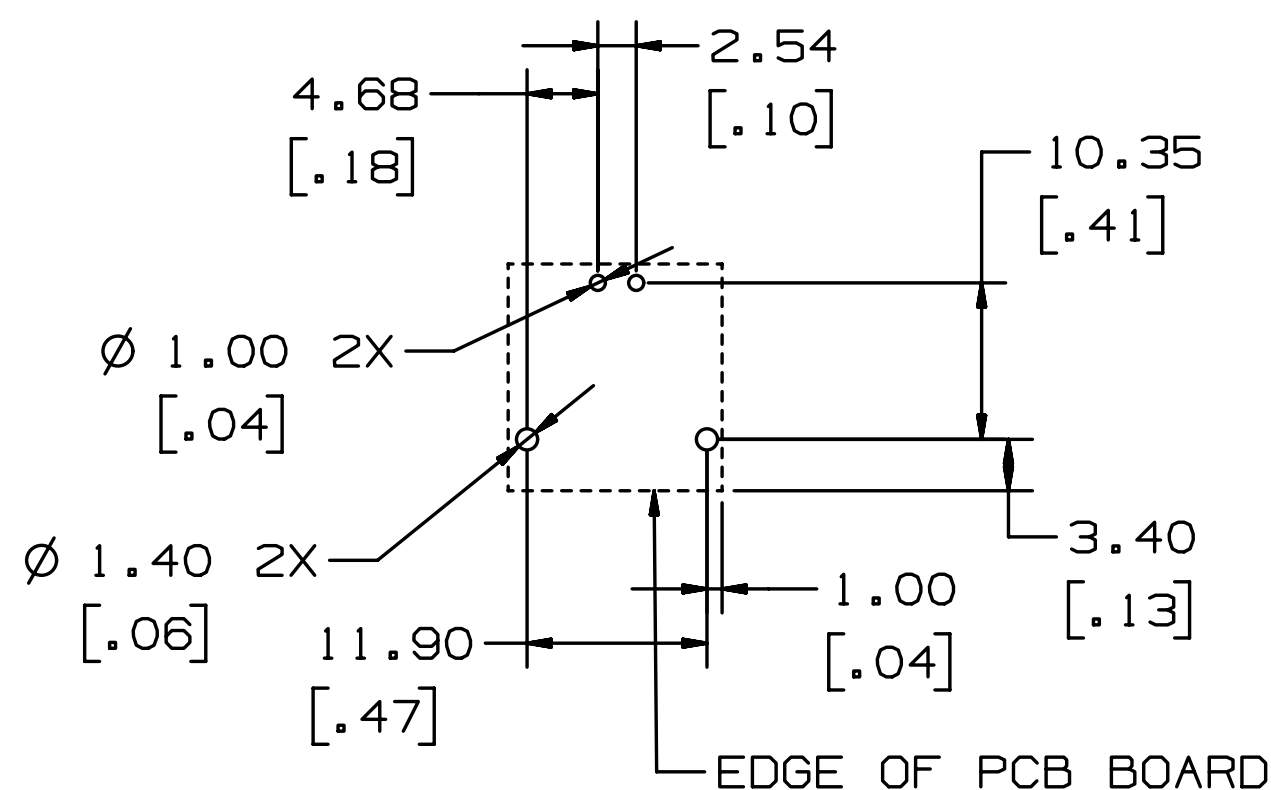
DESIGN REFERENCE	NEXT ASSEMBLY	REV	ECO	ISSUE DATE AND DESCRIPTION	DRFT	CHKD
		D	36079	SEP 07, 2011 CONVERT TO NEW ENG. FORMAT, ADD 2 POSITION PART	MWL	SAN
DISTRIBUTION CODES		DRFT	MWL	DATE AUG 30, 2011	DATE	DATE
		CHKD		DATE	DATE	DATE
DIVISION Interconnect Solutions	DIVISION CODE ISD	<p>3M Center St. Paul, MN 55144</p> <p>© 3M COPYRIGHT 2011 This document and the information it contains are 3M property and may not be reproduced or further distributed without 3M permission, or used or disclosed other than for 3M authorized purposes. All rights reserved.</p>				
DO NOT SCALE DRAWING	SCALE 4 1	TOLERANCES EXCEPT AS NOTED INCHES .0 ± .00 ± .000 ± .0000 ± MILLIMETERS 0 ± .0 ±.3 .00 ±.13 .000 ± ANGLES ±1°				
THIRD ANGLE PROJECTION	INTERPRET PER ASME Y14.5 - 1994	TITLE 2.54mm[.100"] LINK BOARDMOUNT, ST AND RA 382 SERIES				
MAX SURFACE ROUGHNESS 125 ✓	<input type="checkbox"/> ALL SURFACES <input checked="" type="checkbox"/> MARKED ONLY	CAGE NUMBER	SIZE	DRAWING NO.	REV.	
		C		78-5100-2099-9	D	
		MODEL	DET. <input type="checkbox"/> YES <input checked="" type="checkbox"/> NO		SHT 2 OF 3	

78-5100-2099-9
DRAWING NUMBER

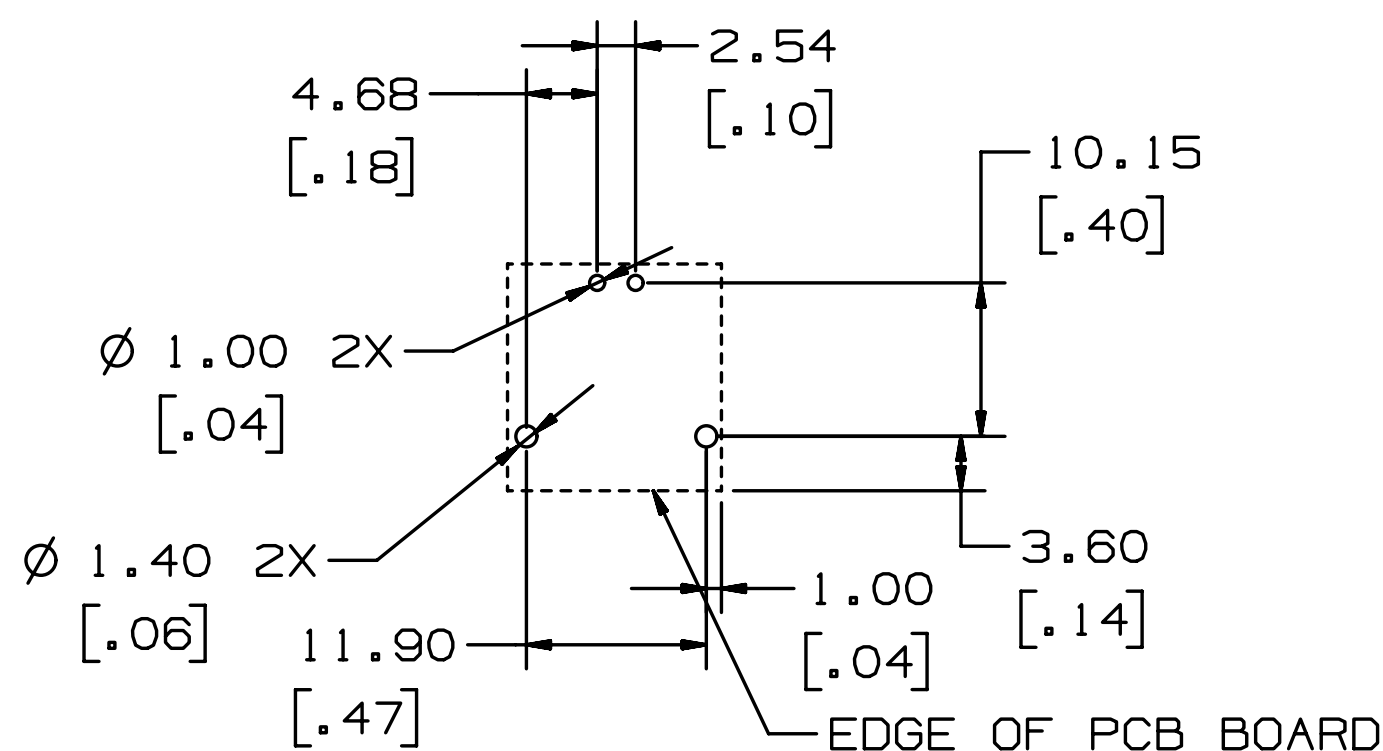
REVISION

A

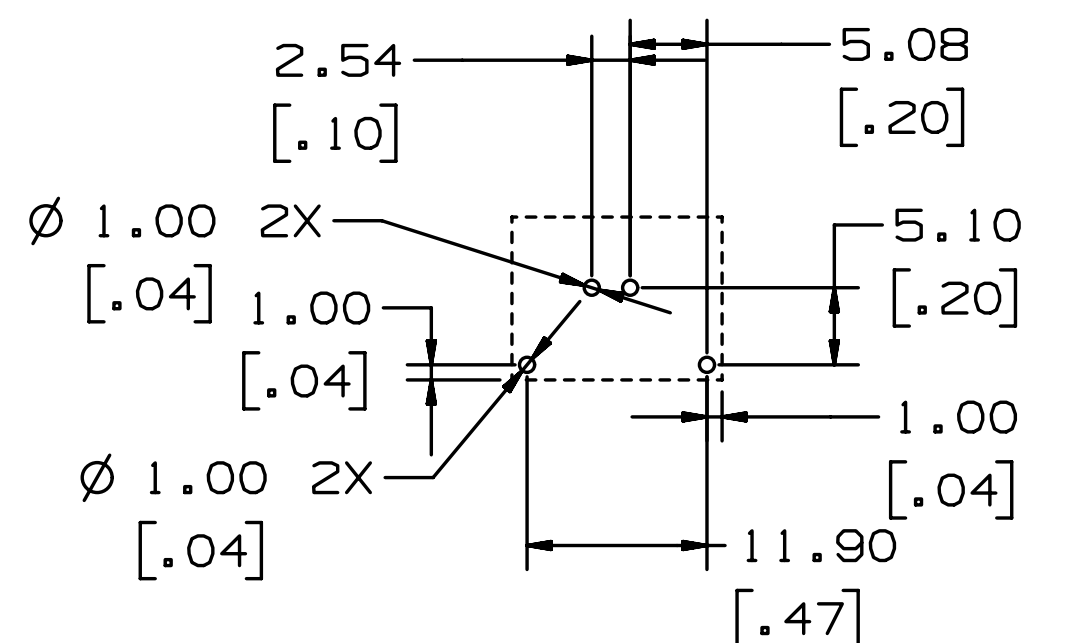
3M™ LINK CONNECTOR, 2.54mm[.100"] BOARDMOUNT, STRAIGHT AND RIGHT ANGLE, 382 SERIES



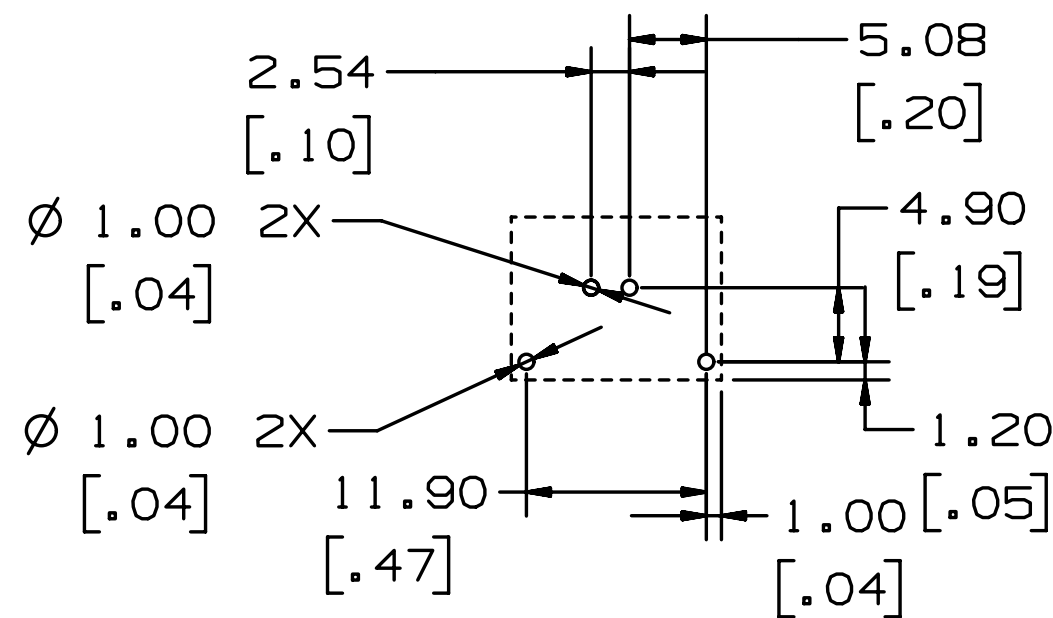
2-POSITION
RIGHT ANGLE BOARD FOOTPRINT
FOR 1.6mm THICK BOARD



2-POSITION
RIGHT ANGLE BOARD FOOTPRINT
FOR 1.0mm THICK BOARD



2-POSITION
STRAIGHT BOARD FOOTPRINT
FOR 1.6mm THICK BOARD



2-POSITION
STRAIGHT BOARD FOOTPRINT
FOR 1.0mm THICK BOARD

D	36079	SEP 07, 2011	MWL	SAN
		CONVERT TO NEW ENG. FORMAT, ADD 2 POSITION PART		

REV	ECO	ISSUE DATE AND DESCRIPTION	DRFT	CHKD
		DATE: AUG 30, 2011		
		DATE	APPVL	DATE

DESIGN REFERENCE		NEXT ASSEMBLY	
DISTRICTION CODES			
DIVISION Interconnect Solutions	DIVISION CODE ISD	DO NOT SCALE DRAWING	
SCALE 4 1		TOLERANCES EXCEPT AS NOTED	
THIRD ANGLE PROJECTION		INCHES .0 ± .00 ± .000 ± .0000 ±	
INTERPRET PER ASME Y14.5 - 1994		MILLIMETERS 0 ± .0 ±.3 .00 ±.13 .000 ±	
MAX SURFACE ROUGHNESS 125 ✓ ALL SURFACES ☑ MARKED ONLY		ANGLES ±1°	

		© 3M COPYRIGHT 2011 This document and the information it contains are 3M property and may not be reproduced or further distributed without 3M permission, or used or disclosed other than for 3M authorized purposes. All rights reserved.	
TITLE 2.54mm[.100"] LINK BOARDMOUNT, ST AND RA 382 SERIES			
CAGE NUMBER	SIZE	DRAWING NO.	REV.
	C	78-5100-2099-9	D
MODEL		DET. <input type="checkbox"/> LISTS <input type="checkbox"/> YES <input checked="" type="checkbox"/> NO	SHT 3 OF 3

78-5100-2099-9
DRAWING NUMBER

A



Компания «ЭлектроПласт» предлагает заключение долгосрочных отношений при поставках импортных электронных компонентов на взаимовыгодных условиях!

Наши преимущества:

- Оперативные поставки широкого спектра электронных компонентов отечественного и импортного производства напрямую от производителей и с крупнейших мировых складов;
- Поставка более 17-ти миллионов наименований электронных компонентов;
- Поставка сложных, дефицитных, либо снятых с производства позиций;
- Оперативные сроки поставки под заказ (от 5 рабочих дней);
- Экспресс доставка в любую точку России;
- Техническая поддержка проекта, помощь в подборе аналогов, поставка прототипов;
- Система менеджмента качества сертифицирована по Международному стандарту ISO 9001;
- Лицензия ФСБ на осуществление работ с использованием сведений, составляющих государственную тайну;
- Поставка специализированных компонентов (Xilinx, Altera, Analog Devices, Intersil, Interpoint, Microsemi, Aeroflex, Peregrine, Syfer, Eurofarad, Texas Instrument, Miteq, Cobham, E2V, MA-COM, Hittite, Mini-Circuits, General Dynamics и др.);

Помимо этого, одним из направлений компании «ЭлектроПласт» является направление «Источники питания». Мы предлагаем Вам помощь Конструкторского отдела:

- Подбор оптимального решения, техническое обоснование при выборе компонента;
- Подбор аналогов;
- Консультации по применению компонента;
- Поставка образцов и прототипов;
- Техническая поддержка проекта;
- Защита от снятия компонента с производства.



Как с нами связаться

Телефон: 8 (812) 309 58 32 (многоканальный)

Факс: 8 (812) 320-02-42

Электронная почта: org@eplast1.ru

Адрес: 198099, г. Санкт-Петербург, ул. Калинина, дом 2, корпус 4, литера А.